



PCA9516A

5-channel I²C-bus hub

Rev. 03 — 23 April 2009

Product data sheet

1. General description

The PCA9516A is a CMOS integrated circuit intended for application in I²C-bus and SMBus systems.

While retaining all the operating modes and features of the I²C-bus system, it permits extension of the I²C-bus by buffering both the data (SDAn) and the clock (SCLn) lines, thus enabling five buses of 400 pF.

The I²C-bus capacitance limit of 400 pF restricts the number of devices and bus length. Using the PCA9516A enables the system designer to divide the bus into five segments off of a hub where any segment-to-segment transition sees only one repeater delay.

It can also be used to run different buses at 5 V and 3.3 V or 400 kHz and 100 kHz buses where the 100 kHz bus is isolated when 400 kHz operation of the other bus is required.

Two or more PCA9516As cannot be put in series. The PCA9516A design does not allow this configuration. Since there is no direction pin, slightly different 'legal' low voltage levels are used to avoid lock-up conditions between the input and the output of each repeater in the hub. A 'regular LOW' applied at the input of a PCA9516A will be propagated as a 'buffered LOW' with a slightly higher value on all the enabled outputs. When this 'buffered LOW' is applied to another PCA9515A, PCA9516A, or PCA9518A in series, the second PCA9515A, PCA9516A, or PCA9518A will not recognize it as a 'regular LOW' and will not propagate it as a 'buffered LOW' again. The PCA9510A/9511A/9513A/9514A and PCA9512A cannot be used in series with the PCA9515A, PCA9516A, or PCA9518A, but can be used in series with themselves since they use shifting instead of static offsets to avoid lock-up conditions.

2. Features

- 5 channel, bidirectional buffer
- I²C-bus and SMBus compatible
- Active HIGH individual repeater enable input
- Open-drain input/outputs
- Lock-up free operation
- Supports arbitration and clock stretching across the repeater
- Accommodates Standard-mode and Fast-mode I²C-bus devices and multiple masters
- Powered-off high-impedance I²C-bus pins
- Operating supply voltage range of 2.3 V to 3.6 V
- 5.5 V tolerant I²C-bus and enable pins

- 0 Hz to 400 kHz clock frequency¹
- ESD protection exceeds 2000 V HBM per JESD22-A114, 200 V MM per JESD22-A115, and 1000 V CDM per JESD22-C101
- Latch-up testing is done to JEDEC Standard JESD78 which exceeds 100 mA
- Packages offered: SO16 and TSSOP16

3. Ordering information

Table 1. Ordering information

Type number	Package		
	Name	Description	Version
PCA9516AD	SO16	plastic small outline package; 16 leads; body width 3.9 mm	SOT109-1
PCA9516APW	TSSOP16	plastic thin shrink small outline package; 16 leads; body width 4.4 mm	SOT403-1

3.1 Ordering options

Table 2. Ordering options

Type number	Topside mark	Temperature range
PCA9516AD	PCA9516AD	T _{amb} = -40 °C to +85 °C
PCA9516APW	PA9516A	T _{amb} = -40 °C to +85 °C

1. The maximum system operating frequency may be less than 400 kHz because of the delays added by the repeater.

4. Block diagram

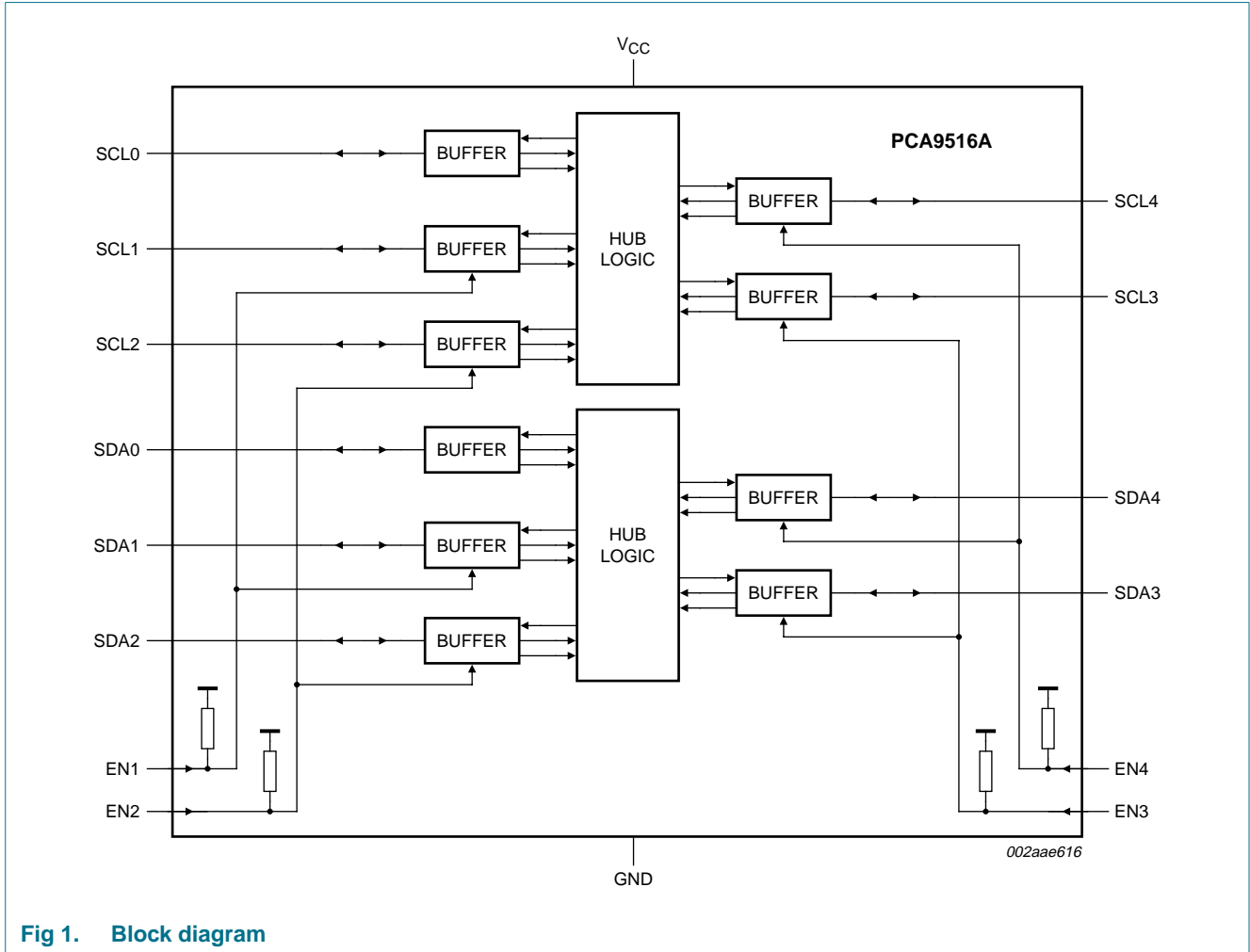


Fig 1. Block diagram

A more detailed view of [Figure 1](#) buffer is shown in [Figure 2](#).

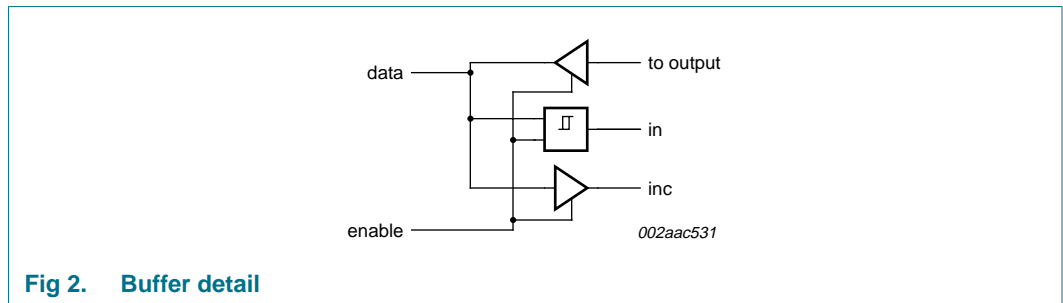


Fig 2. Buffer detail

The output pull-down of each internal buffer is set for approximately 0.5 V, while the input threshold of each internal buffer is set about 0.07 V lower, when the output is internally driven LOW. This prevents a lock-up condition from occurring.

5. Pinning information

5.1 Pinning

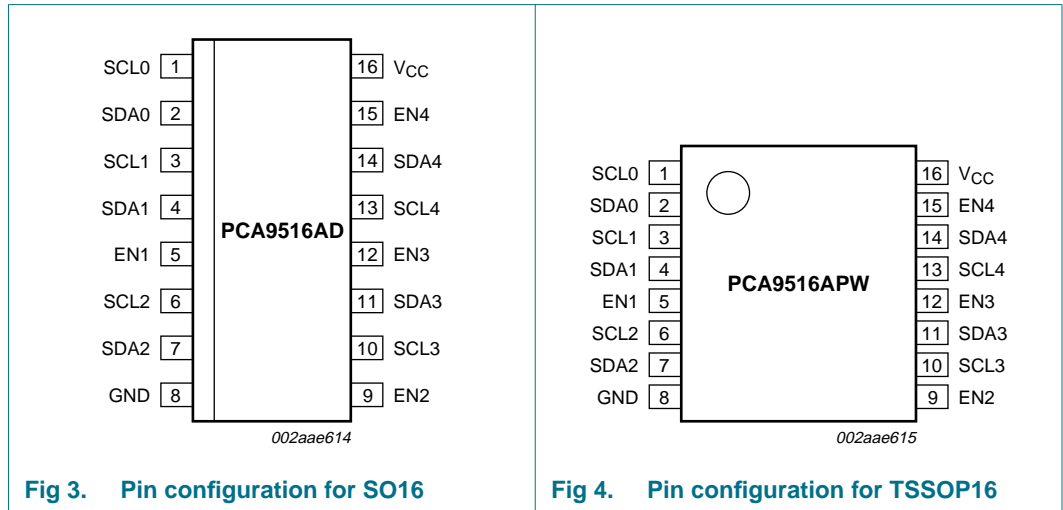


Fig 3. Pin configuration for SO16

Fig 4. Pin configuration for TSSOP16

5.2 Pin description

Table 3. Pin description

Symbol	Pin	Description
SCL0	1	serial clock bus 0
SDA0	2	serial data bus 0
SCL1	3	serial clock bus 1
SDA1	4	serial data bus 1
EN1	5	active HIGH bus 1 enable input
SCL2	6	serial clock bus 2
SDA2	7	serial data bus 2
GND	8	supply ground
EN2	9	active HIGH bus 2 enable input
SCL3	10	serial clock bus 3
SDA3	11	serial data bus 3
EN3	12	active HIGH bus 3 enable input
SCL4	13	serial clock bus 4
SDA4	14	serial data bus 4
EN4	15	active HIGH bus 4 enable input
V _{CC}	16	supply power

6. Functional description

The PCA9516A is a five-way hub repeater, which enables I²C-bus and similar bus systems to be expanded with only one repeater delay and no functional degradation of system performance.

The PCA9516A contains five bidirectional, open-drain buffers specifically designed to support the standard low-level-contention arbitration of the I²C-bus. Except during arbitration or clock stretching, the PCA9516A acts like five pairs of non-inverting, open-drain buffers, one for SDA and one for SCL. Refer to [Figure 1 “Block diagram”](#).

6.1 Enable

The enable pins EN1 through EN4 are active HIGH and have internal pull-up resistors. Each enable pin ENn controls its associated SDAn and SCLn ports. When LOW, the ENn pin blocks the inputs from SDAn and SCLn as well as disabling the output drivers on the SDAn and SCLn pins. The enable pins should only change state when both the global bus and the local port are in an idle state to prevent system failures.

The active HIGH enable pins allow the use of open-drain drivers which can be wire-ORed to create a distributed enable where either centralized control signal (master) or spoke signal (submaster) can enable the channel when it is idle.

6.2 I²C-bus systems

As with the standard I²C-bus system, pull-up resistors are required to provide the logic HIGH levels on the buffered bus. (Standard open-collector configuration of the I²C-bus.) The size of these pull-up resistors depends on the system, but each side of the repeater must have a pull-up resistor. This part is designed to work with Standard-mode and Fast-mode I²C-bus devices in addition to SMBus devices. Standard-mode I²C-bus devices only specify 3 mA output drive; this limits the termination current to 3 mA in a generic I²C-bus system where Standard-mode devices and multiple masters are possible. Please see application note *AN255, “I²C/SMBus Repeaters, Hubs and Expanders”* for additional information on sizing resistors and precautions when using more than one PCA9515A/PCA9516A in a system or using the PCA9515A/PCA9516A in conjunction with the P82B96.

7. Application design-in information

A typical application is shown in [Figure 5](#). In this example, the system master is running on a 3.3 V I²C-bus while the slave is connected to a 5 V bus. All buses run at 100 kHz unless slave 3 is isolated, and then the master bus and slave 1 and slave 2 can run at 400 kHz.

Any segment of the hub can talk to any other segment of the hub. Bus masters and slaves can be located on all five segments with 400 pF load allowed on each segment.

Unused ports should be isolated by holding the enable pin (ENn) to GND and/or pulling SDAn/SCLn pins to V_{CC} through appropriately sized resistors. The primary bus master is normally connected to SDA0/SCL0. If the SDA0/SCL0 port is not used, the pins need to be pulled to V_{CC} through appropriately sized resistors.

The PCA9516A is 5.5 V tolerant so it does not require any additional circuitry to translate between the different bus voltages.

When one side of the PCA9516A is pulled LOW by a device on the I²C-bus, a CMOS hysteresis type input detects the falling edge and causes an internal driver on the other side to turn on, thus causing the other side to also go LOW. The side driven LOW by the PCA9516A will typically be at $V_{OL} = 0.5\text{ V}$.

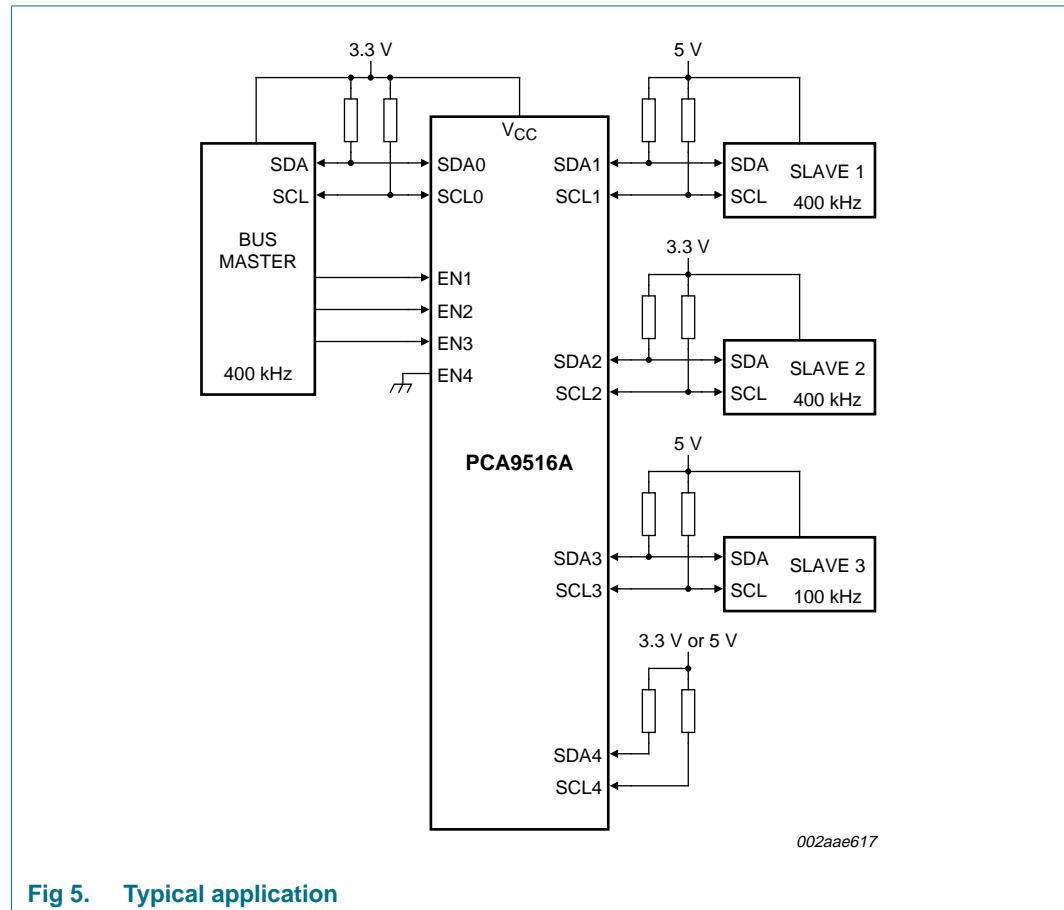


Fig 5. Typical application

In order to illustrate what would be seen in a typical application, refer to [Figure 6](#) and [Figure 7](#). If the bus master in [Figure 5](#) were to write to the slave through the PCA9516A, we would see the waveform shown in [Figure 6](#) on Bus 0. This looks like a normal I²C-bus transmission until the falling edge of the 8th clock pulse. At that point, the master releases the data line (SDA) while the slave pulls it LOW through the PCA9516A. Because the V_{OL} of the PCA9516A is typically around 0.5 V, a step in the SDA will be seen. After the master has transmitted the 9th clock pulse, the slave releases the data line.

On the Bus 1 side of the PCA9516A, the clock and data lines would have a positive offset from ground equal to the V_{OL} of the PCA9516A. After the 8th clock pulse, the data line will be pulled to the V_{OL} of the slave device that is very close to ground in our example.

It is important to note that any arbitration or clock stretching events on Bus 1 require that the V_{OL} of the devices on Bus 1 be 70 mV below the V_{OL} of the PCA9516A (see $V_{OL} - V_{ILC}$ in [Section 9 "Static characteristics"](#)) to be recognized by the PCA9516A and then transmitted to Bus 0.

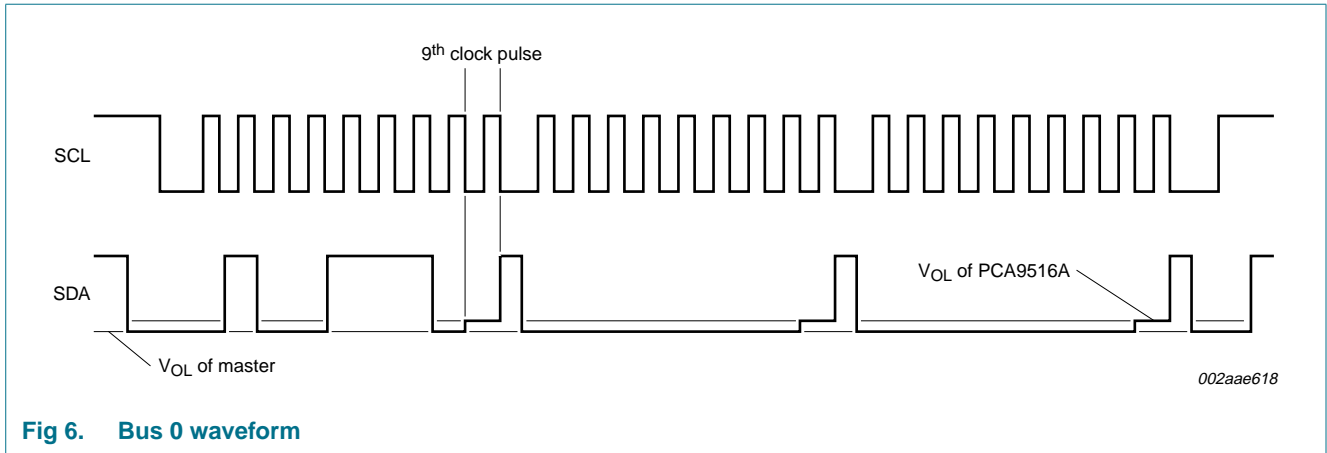


Fig 6. Bus 0 waveform

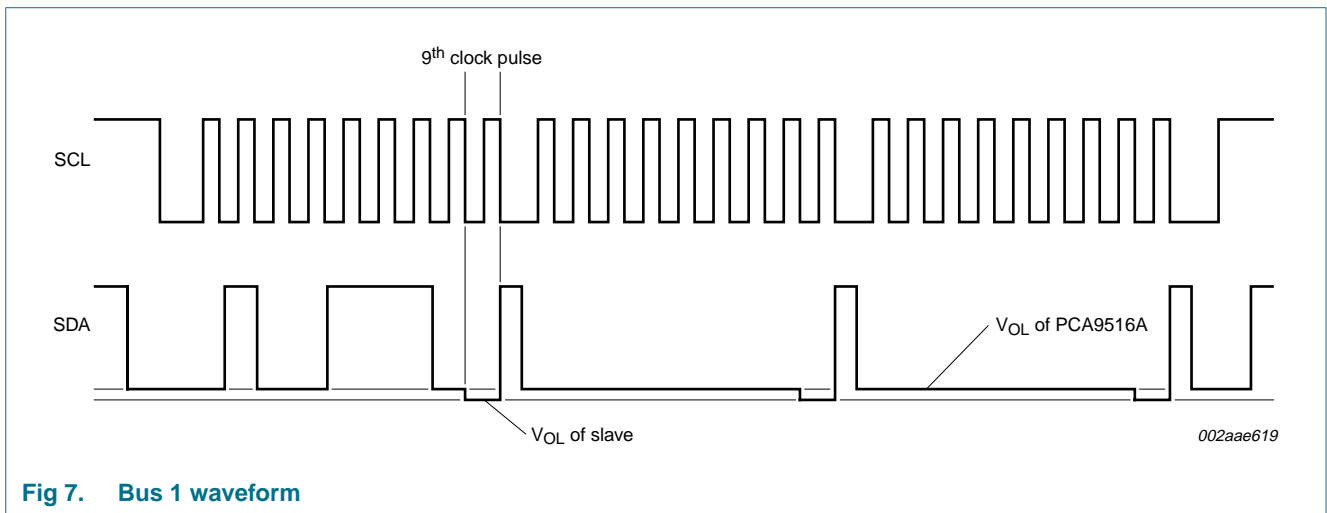


Fig 7. Bus 1 waveform

8. Limiting values

Table 4. Limiting values

In accordance with the Absolute Maximum Rating System (IEC 60134).
Voltages with respect to GND.

Symbol	Parameter	Conditions	Min	Max	Unit
V _{CC}	supply voltage		-0.5	+7	V
V _{bus}	voltage range I ² C-bus	SCLn or SDA _n	-0.5	+7	V
I	DC current	any pin	-	50	mA
P _{tot}	total power dissipation		-	300	mW
T _{stg}	storage temperature		-55	+125	°C
T _{amb}	ambient temperature	operating	-40	+85	°C

9. Static characteristics

Table 5. Static characteristics ($V_{CC} = 3.0\text{ V to }3.6\text{ V}$)

$V_{CC} = 3.0\text{ V to }3.6\text{ V}$ ^[1]; $GND = 0\text{ V}$; $T_{amb} = -40\text{ °C to }+85\text{ °C}$; unless otherwise specified.

Symbol	Parameter	Conditions	Min	Typ ^[2]	Max	Unit
Supplies						
V_{CC}	supply voltage		3.0	-	3.6	V
I_{CCH}	HIGH-level supply current	both channels HIGH; $V_{CC} = 3.6\text{ V}$; $SDAn = SCLn = V_{CC}$	-	2.1	5	mA
I_{CCL}	LOW-level supply current	both channels LOW; $V_{CC} = 3.6\text{ V}$; one $SDAn$ and one $SCLn = GND$, other $SDAn$ and $SCLn$ open	-	4.7	10	mA
I_{CCLc}	contention LOW-level supply current	$V_{CC} = 3.6\text{ V}$; $SDAn = SCLn = GND$	-	4.0	10	mA
Input SCLn; input/output SDAn						
V_{IH}	HIGH-level input voltage		$0.7V_{CC}$	-	5.5	V
V_{IL}	LOW-level input voltage		^[3] -0.5	-	$+0.3V_{CC}$	V
V_{ILc}	contention LOW-level input voltage		^[3] -0.5	-	+0.4	V
V_{IK}	input clamping voltage	$I_I = -18\text{ mA}$	-	-	-1.2	V
I_{LI}	input leakage current	$V_I = 3.6\text{ V}$	-1	-	+1	μA
I_{IL}	LOW-level input current	$SDAn, SCLn$; $V_I = 0.2\text{ V}$	-	-	5	μA
V_{OL}	LOW-level output voltage	$I_{OL} = 0\text{ mA or }6\text{ mA}$	0.47	0.52	0.6	V
$V_{OL} - V_{ILc}$	difference between LOW-level output and LOW-level input voltage contention	guaranteed by design	-	-	70	mV
C_i	input capacitance	$V_I = 3\text{ V or }0\text{ V}$	-	6	10	pF
Enable inputs EN1 to EN4						
V_{IL}	LOW-level input voltage		-0.5	-	+0.8	V
V_{IH}	HIGH-level input voltage		2.0	-	5.5	V
I_{IL}	LOW-level input current	EN1 to EN4; $V_I = 0.2\text{ V}$	-	-12	-30	μA
I_{LI}	input leakage current		-1	-	+1	μA
C_i	input capacitance	$V_I = 3\text{ V or }0\text{ V}$	-	6	7	pF

[1] For operation between published voltage ranges, refer to worst case parameter in both ranges.

[2] Typical value taken at 3.3 V and 25 °C.

[3] V_{IL} specification is for the first LOW level seen by the $SDAn/SCLn$ lines. V_{ILc} is for the second and subsequent LOW levels seen by the $SDAn/SCLn$ lines.

Table 6. Static characteristics (V_{CC} = 2.3 V to 2.7 V)

V_{CC} = 2.3 V to 2.7 V^[1]; GND = 0 V; T_{amb} = -40 °C to +85 °C; unless otherwise specified.

Symbol	Parameter	Conditions	Min	Typ ^[2]	Max	Unit
Supplies						
V _{CC}	supply voltage		2.3	-	2.7	V
I _{CCH}	HIGH-level supply current	both channels HIGH; V _{CC} = 2.7 V; SDAn = SCLn = V _{CC}	-	2.1	5	mA
I _{CCL}	LOW-level supply current	both channels LOW; V _{CC} = 2.7 V; one SDAn and one SCLn = GND, other SDAn and SCLn open	-	4.6	10	mA
I _{CCLc}	contention LOW-level supply current	V _{CC} = 2.7 V; SDAn = SCLn = GND	-	3.9	10	mA
Input SCLn; input/output SDAn						
V _{IH}	HIGH-level input voltage		0.7V _{CC}	-	5.5	V
V _{IL}	LOW-level input voltage		^[3] -0.5	-	+0.3V _{CC}	V
V _{ILc}	contention LOW-level input voltage		^[3] -0.5	-	+0.4	V
V _{IK}	input clamping voltage	I _I = -18 mA	-	-	-1.2	V
I _{LI}	input leakage current	V _I = 2.7 V	-1	-	+1	μA
I _{IL}	LOW-level input current	SDAn, SCLn; V _I = 0.2 V	-	-	5	μA
V _{OL}	LOW-level output voltage	I _{OL} = 0 mA or 6 mA	0.47	0.52	0.6	V
V _{OL} -V _{ILc}	difference between LOW-level output and LOW-level input voltage contention	guaranteed by design	-	-	70	mV
C _i	input capacitance	V _I = 3 V or 0 V	-	6	10	pF
Enable inputs EN1 to EN4						
V _{IL}	LOW-level input voltage		-0.5	-	+0.8	V
V _{IH}	HIGH-level input voltage		1.5	-	5.5	V
I _{IL}	LOW-level input current	EN1 to EN4; V _I = 0.2 V	-	-10	-30	μA
I _{LI}	input leakage current		-1	-	+1	μA
C _i	input capacitance	V _I = 3 V or 0 V	-	6	7	pF

[1] For operation between published voltage ranges, refer to worst case parameter in both ranges.

[2] Typical value taken at 2.5 V and 25 °C.

[3] V_{IL} specification is for the first LOW level seen by the SDAn/SCLn lines. V_{ILc} is for the second and subsequent LOW levels seen by the SDAn/SCLn lines.

10. Dynamic characteristics

Table 7. Dynamic characteristics (V_{CC} = 2.3 V to 2.7 V)

V_{CC} = 2.3 V to 2.7 V; GND = 0 V; T_{amb} = -40 °C to +85 °C; unless otherwise specified.

Symbol	Parameter	Conditions	Min	Typ ^[1]	Max	Unit
t _{PHL}	HIGH to LOW propagation delay	Figure 8	45	93	150	ns
t _{PLH}	LOW to HIGH propagation delay	Figure 8	[2] 33	90	135	ns
t _{THL}	HIGH to LOW output transition time	Figure 8	-	60	-	ns
t _{TLH}	LOW to HIGH output transition time	Figure 8	[2] -	131	-	ns
t _{su}	set-up time	ENn to START condition	100	-	-	ns
t _h	hold time	ENn after STOP condition	130	-	-	ns

[1] Typical value taken at 2.5 V and 25 °C.

[2] Different load resistance and capacitance will alter the RC time constant, thereby changing the propagation delay and transition times.

Table 8. Dynamic characteristics (V_{CC} = 3.0 V to 3.6 V)

V_{CC} = 3.0 V to 3.6 V; GND = 0 V; T_{amb} = -40 °C to +85 °C; unless otherwise specified.

Symbol	Parameter	Conditions	Min	Typ ^[1]	Max	Unit
t _{PHL}	HIGH to LOW propagation delay	Figure 8	45	75	120	ns
t _{PLH}	LOW to HIGH propagation delay	Figure 8	[2] 33	60	83	ns
t _{THL}	HIGH to LOW output transition time	Figure 8	-	47	-	ns
t _{TLH}	LOW to HIGH output transition time	Figure 8	[2] -	130	-	ns
t _{su}	set-up time	ENn to START condition	100	-	-	ns
t _h	hold time	ENn after STOP condition	100	-	-	ns

[1] Typical value taken at 3.3 V and 25 °C.

[2] Different load resistance and capacitance will alter the RC time constant, thereby changing the propagation delay and transition times.

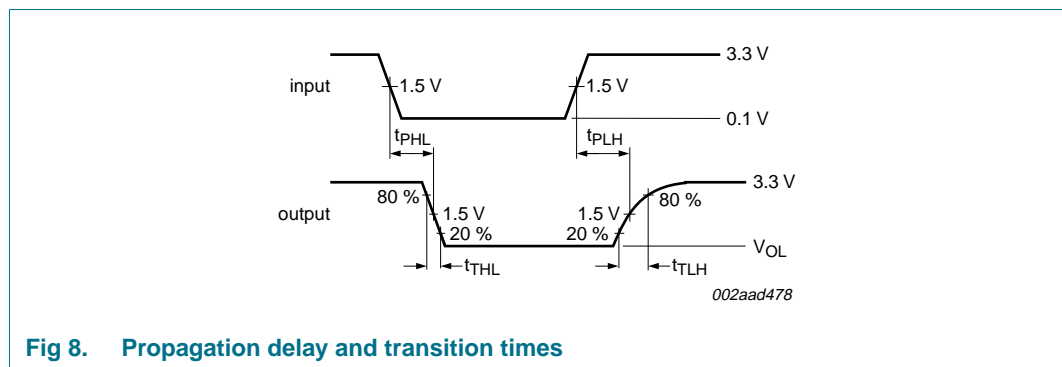
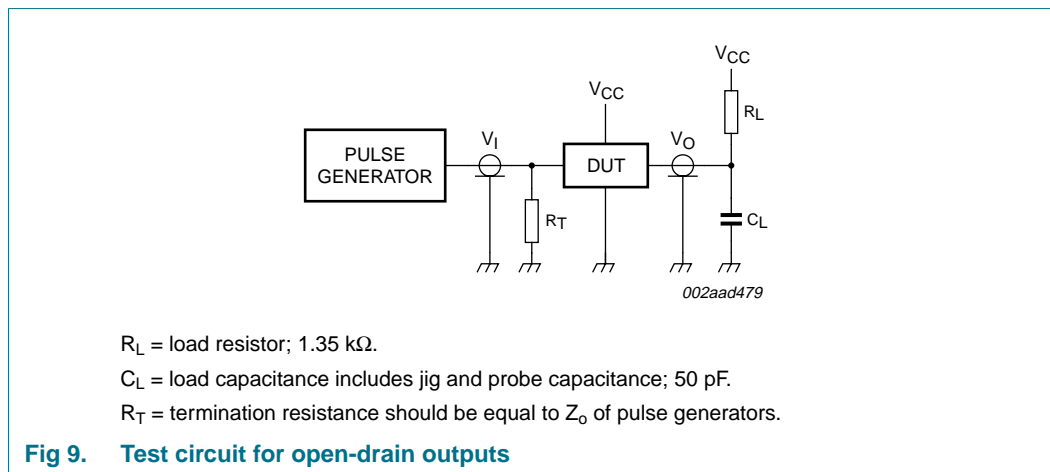


Fig 8. Propagation delay and transition times

11. Test information



12. Package outline

SO16: plastic small outline package; 16 leads; body width 3.9 mm

SOT109-1

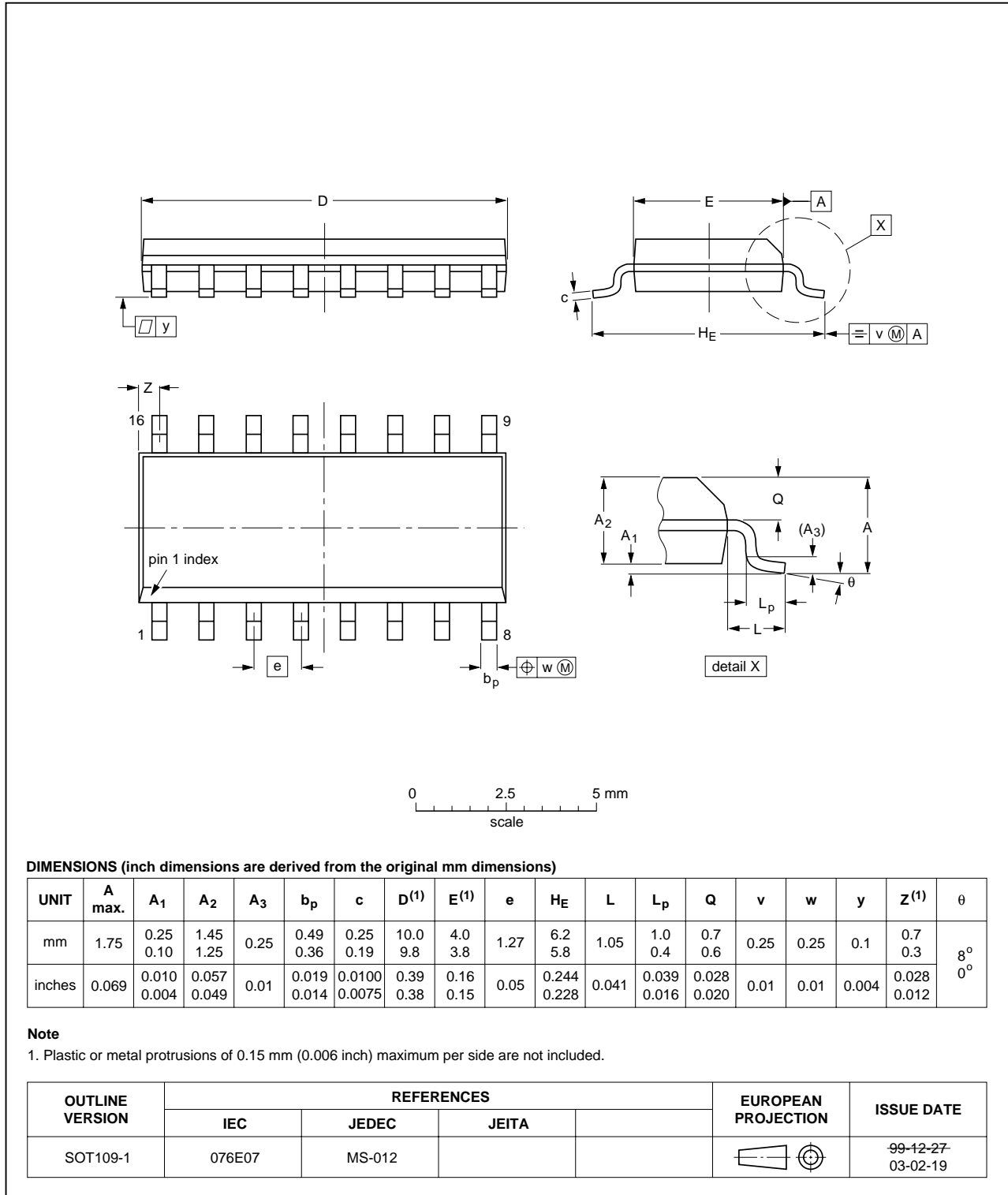


Fig 10. Package outline SOT109-1 (SO16)

TSSOP16: plastic thin shrink small outline package; 16 leads; body width 4.4 mm

SOT403-1



Fig 11. Package outline SOT403-1 (TSSOP16)

13. Soldering of SMD packages

This text provides a very brief insight into a complex technology. A more in-depth account of soldering ICs can be found in Application Note *AN10365 "Surface mount reflow soldering description"*.

13.1 Introduction to soldering

Soldering is one of the most common methods through which packages are attached to Printed Circuit Boards (PCBs), to form electrical circuits. The soldered joint provides both the mechanical and the electrical connection. There is no single soldering method that is ideal for all IC packages. Wave soldering is often preferred when through-hole and Surface Mount Devices (SMDs) are mixed on one printed wiring board; however, it is not suitable for fine pitch SMDs. Reflow soldering is ideal for the small pitches and high densities that come with increased miniaturization.

13.2 Wave and reflow soldering

Wave soldering is a joining technology in which the joints are made by solder coming from a standing wave of liquid solder. The wave soldering process is suitable for the following:

- Through-hole components
- Leaded or leadless SMDs, which are glued to the surface of the printed circuit board

Not all SMDs can be wave soldered. Packages with solder balls, and some leadless packages which have solder lands underneath the body, cannot be wave soldered. Also, leaded SMDs with leads having a pitch smaller than ~0.6 mm cannot be wave soldered, due to an increased probability of bridging.

The reflow soldering process involves applying solder paste to a board, followed by component placement and exposure to a temperature profile. Leaded packages, packages with solder balls, and leadless packages are all reflow solderable.

Key characteristics in both wave and reflow soldering are:

- Board specifications, including the board finish, solder masks and vias
- Package footprints, including solder thieves and orientation
- The moisture sensitivity level of the packages
- Package placement
- Inspection and repair
- Lead-free soldering versus SnPb soldering

13.3 Wave soldering

Key characteristics in wave soldering are:

- Process issues, such as application of adhesive and flux, clinching of leads, board transport, the solder wave parameters, and the time during which components are exposed to the wave
- Solder bath specifications, including temperature and impurities

13.4 Reflow soldering

Key characteristics in reflow soldering are:

- Lead-free versus SnPb soldering; note that a lead-free reflow process usually leads to higher minimum peak temperatures (see [Figure 12](#)) than a SnPb process, thus reducing the process window
- Solder paste printing issues including smearing, release, and adjusting the process window for a mix of large and small components on one board
- Reflow temperature profile; this profile includes preheat, reflow (in which the board is heated to the peak temperature) and cooling down. It is imperative that the peak temperature is high enough for the solder to make reliable solder joints (a solder paste characteristic). In addition, the peak temperature must be low enough that the packages and/or boards are not damaged. The peak temperature of the package depends on package thickness and volume and is classified in accordance with [Table 9](#) and [10](#)

Table 9. SnPb eutectic process (from J-STD-020C)

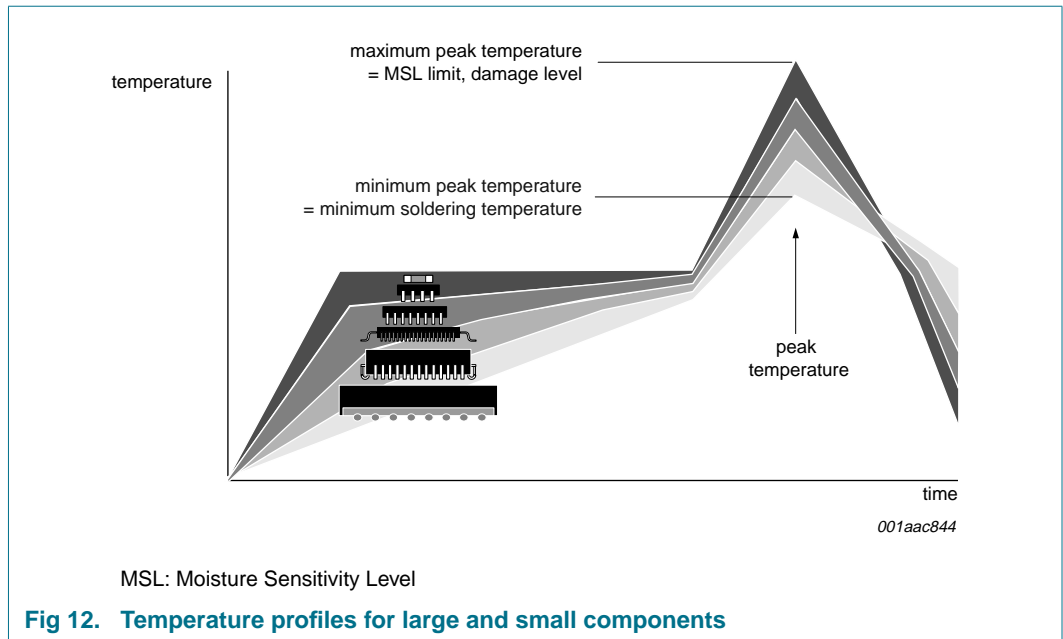
Package thickness (mm)	Package reflow temperature (°C)	
	Volume (mm ³)	
	< 350	≥ 350
< 2.5	235	220
≥ 2.5	220	220

Table 10. Lead-free process (from J-STD-020C)

Package thickness (mm)	Package reflow temperature (°C)		
	Volume (mm ³)		
	< 350	350 to 2000	> 2000
< 1.6	260	260	260
1.6 to 2.5	260	250	245
> 2.5	250	245	245

Moisture sensitivity precautions, as indicated on the packing, must be respected at all times.

Studies have shown that small packages reach higher temperatures during reflow soldering, see [Figure 12](#).



For further information on temperature profiles, refer to Application Note AN10365 “Surface mount reflow soldering description”.

14. Abbreviations

Table 11. Abbreviations

Acronym	Description
CDM	Charged-Device Model
CMOS	Complementary Metal-Oxide Semiconductor
DUT	Device Under Test
ESD	ElectroStatic Discharge
HBM	Human Body Model
I ² C-bus	Inter-Integrated Circuit bus
MM	Machine Model
RC	Resistor-Capacitor network
SMBus	System Management Bus

15. Revision history

Table 12. Revision history

Document ID	Release date	Data sheet status	Change notice	Supersedes
PCA9516A_3	20090423	Product data sheet	-	PCA9516A_2
Modifications:	<ul style="list-style-type: none">• The format of this data sheet has been redesigned to comply with the new identity guidelines of NXP Semiconductors.• Legal texts have been adapted to the new company name where appropriate.• Section 1 "General description", 5th paragraph: referenced part type numbers changed from "PCA951x" to "PCA951xA"• Added soldering information• Added Section 14 "Abbreviations"			
PCA9516A_2 (9397 750 14108)	20040929	Product data sheet	-	PCA9516A_1
PCA9516A_1 (9397 750 13238)	20040528	Product data sheet	-	-

16. Legal information

16.1 Data sheet status

Document status ^{[1][2]}	Product status ^[3]	Definition
Objective [short] data sheet	Development	This document contains data from the objective specification for product development.
Preliminary [short] data sheet	Qualification	This document contains data from the preliminary specification.
Product [short] data sheet	Production	This document contains the product specification.

[1] Please consult the most recently issued document before initiating or completing a design.

[2] The term 'short data sheet' is explained in section "Definitions".

[3] The product status of device(s) described in this document may have changed since this document was published and may differ in case of multiple devices. The latest product status information is available on the Internet at URL <http://www.nxp.com>.

16.2 Definitions

Draft — The document is a draft version only. The content is still under internal review and subject to formal approval, which may result in modifications or additions. NXP Semiconductors does not give any representations or warranties as to the accuracy or completeness of information included herein and shall have no liability for the consequences of use of such information.

Short data sheet — A short data sheet is an extract from a full data sheet with the same product type number(s) and title. A short data sheet is intended for quick reference only and should not be relied upon to contain detailed and full information. For detailed and full information see the relevant full data sheet, which is available on request via the local NXP Semiconductors sales office. In case of any inconsistency or conflict with the short data sheet, the full data sheet shall prevail.

16.3 Disclaimers

General — Information in this document is believed to be accurate and reliable. However, NXP Semiconductors does not give any representations or warranties, expressed or implied, as to the accuracy or completeness of such information and shall have no liability for the consequences of use of such information.

Right to make changes — NXP Semiconductors reserves the right to make changes to information published in this document, including without limitation specifications and product descriptions, at any time and without notice. This document supersedes and replaces all information supplied prior to the publication hereof.

Suitability for use — NXP Semiconductors products are not designed, authorized or warranted to be suitable for use in medical, military, aircraft, space or life support equipment, nor in applications where failure or malfunction of an NXP Semiconductors product can reasonably be expected to result in personal injury, death or severe property or environmental

damage. NXP Semiconductors accepts no liability for inclusion and/or use of NXP Semiconductors products in such equipment or applications and therefore such inclusion and/or use is at the customer's own risk.

Applications — Applications that are described herein for any of these products are for illustrative purposes only. NXP Semiconductors makes no representation or warranty that such applications will be suitable for the specified use without further testing or modification.

Limiting values — Stress above one or more limiting values (as defined in the Absolute Maximum Ratings System of IEC 60134) may cause permanent damage to the device. Limiting values are stress ratings only and operation of the device at these or any other conditions above those given in the Characteristics sections of this document is not implied. Exposure to limiting values for extended periods may affect device reliability.

Terms and conditions of sale — NXP Semiconductors products are sold subject to the general terms and conditions of commercial sale, as published at <http://www.nxp.com/profile/terms>, including those pertaining to warranty, intellectual property rights infringement and limitation of liability, unless explicitly otherwise agreed to in writing by NXP Semiconductors. In case of any inconsistency or conflict between information in this document and such terms and conditions, the latter will prevail.

No offer to sell or license — Nothing in this document may be interpreted or construed as an offer to sell products that is open for acceptance or the grant, conveyance or implication of any license under any copyrights, patents or other industrial or intellectual property rights.

Export control — This document as well as the item(s) described herein may be subject to export control regulations. Export might require a prior authorization from national authorities.

16.4 Trademarks

Notice: All referenced brands, product names, service names and trademarks are the property of their respective owners.

I²C-bus — logo is a trademark of NXP B.V.

17. Contact information

For more information, please visit: <http://www.nxp.com>

For sales office addresses, please send an email to: salesaddresses@nxp.com

18. Contents

1 General description 1

2 Features 1

3 Ordering information 2

3.1 Ordering options 2

4 Block diagram 3

5 Pinning information 4

5.1 Pinning 4

5.2 Pin description 4

6 Functional description 5

6.1 Enable 5

6.2 I²C-bus systems 5

7 Application design-in information 5

8 Limiting values 7

9 Static characteristics 8

10 Dynamic characteristics 10

11 Test information 11

12 Package outline 12

13 Soldering of SMD packages 14

13.1 Introduction to soldering 14

13.2 Wave and reflow soldering 14

13.3 Wave soldering 14

13.4 Reflow soldering 15

14 Abbreviations 16

15 Revision history 17

16 Legal information 18

16.1 Data sheet status 18

16.2 Definitions 18

16.3 Disclaimers 18

16.4 Trademarks 18

17 Contact information 18

18 Contents 19

Please be aware that important notices concerning this document and the product(s) described herein, have been included in section 'Legal information'.



© NXP B.V. 2009.

All rights reserved.

For more information, please visit: <http://www.nxp.com>

For sales office addresses, please send an email to: salesaddresses@nxp.com

Date of release: 23 April 2009

Document identifier: PCA9516A_3

Mouser Electronics

Authorized Distributor

Click to View Pricing, Inventory, Delivery & Lifecycle Information:

[NXP:](#)

[PCA9516AD,112](#) [PCA9516AD,118](#) [PCA9516APW,112](#) [PCA9516APW,118](#)

Компания «Life Electronics» занимается поставками электронных компонентов импортного и отечественного производства от производителей и со складов крупных дистрибьюторов Европы, Америки и Азии.

С конца 2013 года компания активно расширяет линейку поставок компонентов по направлению коаксиальный кабель, кварцевые генераторы и конденсаторы (керамические, пленочные, электролитические), за счёт заключения дистрибьюторских договоров

Мы предлагаем:

- Конкурентоспособные цены и скидки постоянным клиентам.
- Специальные условия для постоянных клиентов.
- Подбор аналогов.
- Поставку компонентов в любых объемах, удовлетворяющих вашим потребностям.
- Приемлемые сроки поставки, возможна ускоренная поставка.
- Доставку товара в любую точку России и стран СНГ.
- Комплексную поставку.
- Работу по проектам и поставку образцов.
- Формирование склада под заказчика.
- Сертификаты соответствия на поставляемую продукцию (по желанию клиента).
- Тестирование поставляемой продукции.
- Поставку компонентов, требующих военную и космическую приемку.
- Входной контроль качества.
- Наличие сертификата ISO.

В составе нашей компании организован Конструкторский отдел, призванный помогать разработчикам, и инженерам.

Конструкторский отдел помогает осуществить:

- Регистрацию проекта у производителя компонентов.
- Техническую поддержку проекта.
- Защиту от снятия компонента с производства.
- Оценку стоимости проекта по компонентам.
- Изготовление тестовой платы монтаж и пусконаладочные работы.



Тел: +7 (812) 336 43 04 (многоканальный)

Email: org@lifeelectronics.ru