

PLEASE CHECK WWW.MOLEX.COM FOR LATEST PART INFORMATION

Part Number: [0471511051](#)
Status: **Active**
Overview: high definition multimedia interface hdmi
Description: 0.50mm (.020") Pitch HDMI* Receptacle, Right Angle, Front Solder Tab Length 1.80mm (.071"), Contact Gold (Au) Flash Plated, with Back Cover, without Mylar and Upper Flange, Tape and Reel Package, Black Housing, Lead Free

Documents:

[3D Model](#) [Product Specification PS-47152-001 \(PDF\)](#)
[Drawing \(PDF\)](#) [RoHS Certificate of Compliance \(PDF\)](#)

General

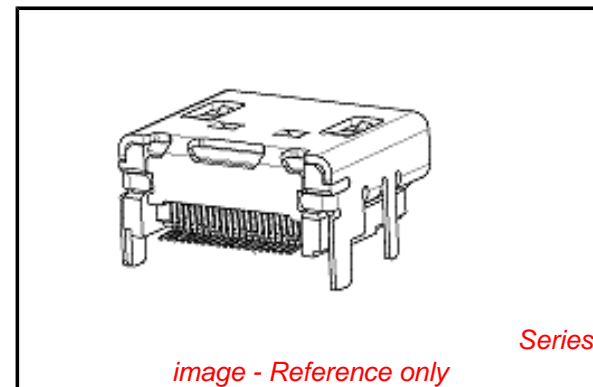
Product Family	I/O Connectors
Series	47151
Application	Wire-to-Board
Component Type	Receptacle
Overview	high definition multimedia interface hdmi
Product Name	HDMI
Type	N/A

Physical

Boot Color	N/A
Circuits (Loaded)	19
Color - Resin	Black
Gender	Male
Keying to Mating Part	Yes
Lock to Mating Part	Yes
Material - Metal	Copper Alloy
Material - Plating Mating	Gold
Material - Plating Termination	Tin-Bismuth
Number of Rows	2
Orientation	Right Angle
PCB Locator	No
PCB Retention	Yes
Packaging Type	Embossed Tape on Reel
Panel Mount	Without Flange
Pitch - Mating Interface (in)	0.020 In
Pitch - Mating Interface (mm)	0.50 mm
Pitch - Term. Interface (in)	0.020 In
Pitch - Term. Interface (mm)	0.50 mm
Plating min: Mating (µin)	2
Plating min: Mating (µm)	0.05
Plating min: Termination (µin)	40
Plating min: Termination (µm)	1
Polarized to Mating Part	Yes
Polarized to PCB	Yes
Ports	1
Temperature Range - Operating	-20°C to +85°C
Termination Interface: Style	Surface Mount
Waterproof / Dustproof	No
Wire Size AWG	N/A

Electrical

Current - Maximum per Contact	.5A
Shielded	Yes
Voltage - Maximum	40V DC



EU RoHS

**ELV and RoHS
Compliant**
**REACH SVHC
Contains SVHC: No**
**Halogen-Free
Status**

China RoHS



**Need more information on product
environmental compliance?**

Email productcompliance@molex.com
 For a multiple part number RoHS Certificate of Compliance, [click here](#)

Please visit the [Contact Us](#) section for any non-product compliance questions.

Search Parts in this Series

[47151Series](#)

Mates With

[88768](#) HDMI cable assembly, [88764](#) HDMI Adapter, [88767](#) HDMIAdapter

Solder Process Data

Duration at Max. Process Temperature (seconds)	3
Lead-free Process Capability	Reflow Capable (SMT only)
Max. Cycles at Max. Process Temperature	1
Process Temperature max. C	250

Material Info**Reference - Drawing Numbers**

Packaging Specification	PK-47151-001
Product Specification	PS-47152-001
Sales Drawing	SD-47151-001

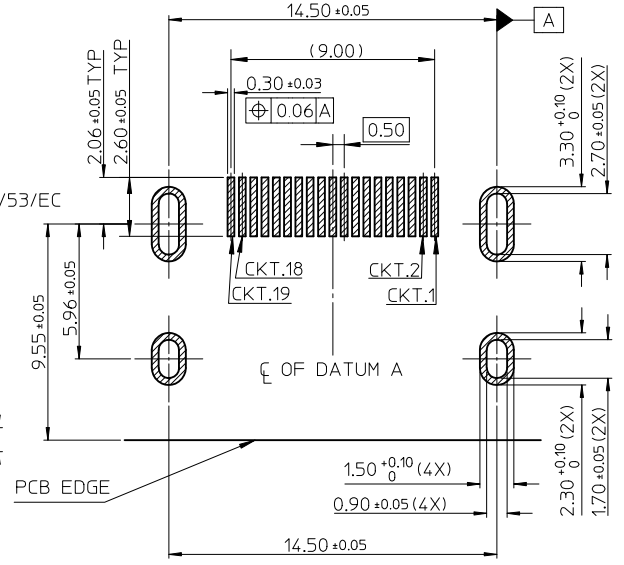
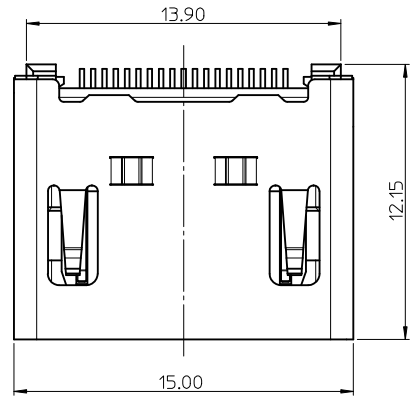
* High Definition Multimedia Interface and HDMI are trademarks of HDMI Licensing, LLC.

This document was generated on 05/25/2010

PLEASE CHECK WWW.MOLEX.COM FOR LATEST PART INFORMATION

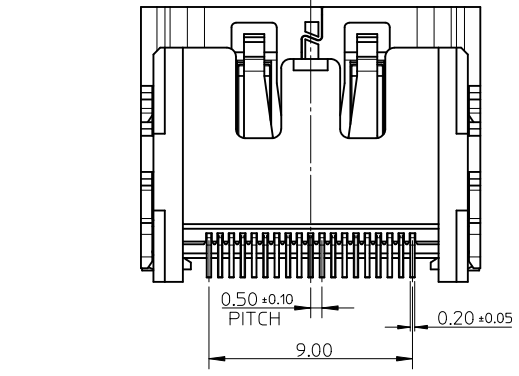
NOTES:

1. MATERIAL:
HOUSING: THERMOPLASTIC . COLOR: SEE TABLE.
SHELL: COPPER ALLOY.
TERMINAL: COPPER ALLOY.
2. PLATING:
TERMINAL:
CONTACT AREA: (1) 0.76 MICROMETER MIN. GOLD PLATING.
(2) 0.25 MICROMETER MIN. GOLD PLATING.
(3) GOLD FLASH.
(4) 0.375 MICROMETER MIN. GOLD PLATING.
SOLDER AREA: 1 MICROMETER MIN. TIN-BISMUTH ALLOY PLATED.
UNDER PLATE: 1.27 MICROMETER MIN. NICKEL.
SHELL: (a) 1.27 MICROMETER MIN. SOLDERABLE NICKEL PLATE OVERALL.
(b) GOLD FLASH PLATING OVER 1.27 MICROMETER MIN. NICKEL PLATING OVERALL.
3. COPLANARITY IS 0.1MM MAX.
4. PRODUCT SPECIFICATION REFER TO PS-47152-001.
5. PACKAGE SPECIFICATION FOR WITHOUT FLANGE REFER TO PK-47151-001.
6. PRODUCT COMPLIANT TO RoHS DEIRECTIVE 2002/95/EC AND ELV DIRECTIVE 2000/53/EC



RECOMMENDED PCB LAYOUT
CONNECTOR SIDE

RECOMMENDED PANEL CUT OUT DIMENSION



ADD PART NUMBER EC NO: SH2010-0164 DRWN:XOZHANG 2009/10/20 CHKD:GLLI 2009/10/21 APPR:XJISONG 2009/11/30	QUALITY SYMBOLS F=0 F=0 F=0	GENERAL TOLERANCES (UNLESS SPECIFIED)		DIMENSION STYLE MM ONLY		SCALE 5:1	DESIGN UNITS METRIC	THIRD ANGLE PROJECTION			
		4 PLACES ± --- ± --- 3 PLACES ± --- ± --- 2 PLACES ± 0.25 ± --- 1 PLACE ± 0.25 ± ---	mm INCH	DRAWN BY RZHANG	DATE 2004/07/20	TITLE 1.0 HDMI RIGHT ANGLE HEADER ASSEMBLY(19 PIN) LEAD FREE					
		ANGULAR ± 3 °		CHECKED BY GRMA	DATE 2004/07/20	MOLEX INCORPORATED					
		DRAFT WHERE APPLICABLE MUST REMAIN WITHIN DIMENSIONS		APPROVED BY YTYAP	DATE 2004/07/20	MATERIAL NO. SEE SHEET 6		DOCUMENT NO. SD-47151-001	SHEET NO. 1 OF 8		

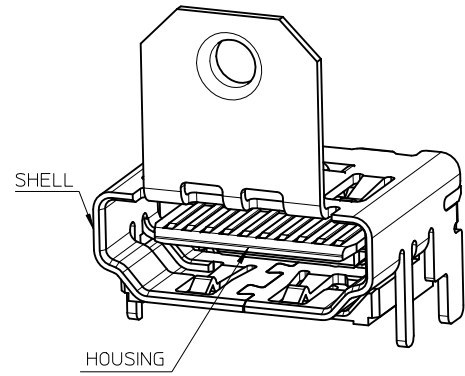
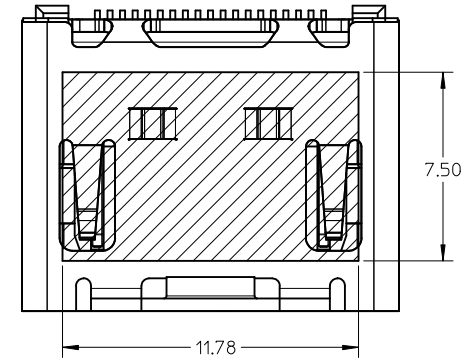


NOTES:

1. THE UNSPECIFIED DIMENSIONS REFER TO SHEET 1.
2. PACKAGE SPECIFICATION FOR WITH FLANGE REFER TO PK-47151-002.

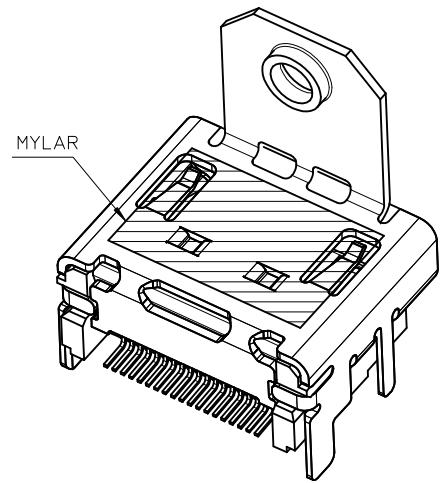
SEE SHEET 1 EC NO: SH2010-0164 DRWN: XQZHANG CHKD: GLLI APPR: XJ SONG	2009/10/20 2009/10/21 2009/11/30	QUALITY SYMBOLS $\nabla_A = 0$ $\nabla_C = 0$ $\nabla_P = 0$	GENERAL TOLERANCES (UNLESS SPECIFIED)		DIMENSION STYLE MM ONLY		SCALE 5:1	DESIGN UNITS METRIC	THIRD ANGLE PROJECTION	
			mm INCH	DRAWN BY RZHANG	DATE 2004/07/20	TITLE 1.0 HDMI RIGHT ANGLE HEADER ASSEMBLY(19 PIN) LEAD FREE				
	4 PLACES		$\pm \text{---}$	$\pm \text{---}$	CHECKED BY GRMA	DATE 2004/07/20	MOLEX INCORPORATED			
	3 PLACES		$\pm \text{---}$	$\pm \text{---}$	APPROVED BY YTYAP	DATE 2004/07/20				
2 PLACES	± 0.25	$\pm \text{---}$	MATERIAL NO. SEE SHEET 6		DOCUMENT NO. SD-47151-001		SHEET NO. 2 OF 8			
1 PLACE	± 0.25	$\pm \text{---}$	DRAFT WHERE APPLICABLE MUST REMAIN WITHIN DIMENSIONS		THIS DRAWING CONTAINS INFORMATION THAT IS PROPRIETARY TO MOLEX INCORPORATED AND SHOULD NOT BE USED WITHOUT WRITTEN PERMISSION					

WITH BACK COVER

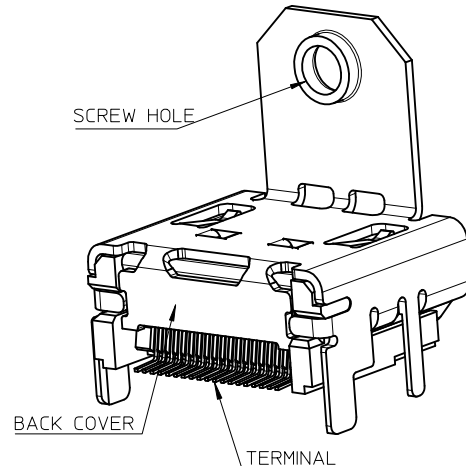


SHELL

HOUSING



MYLAR

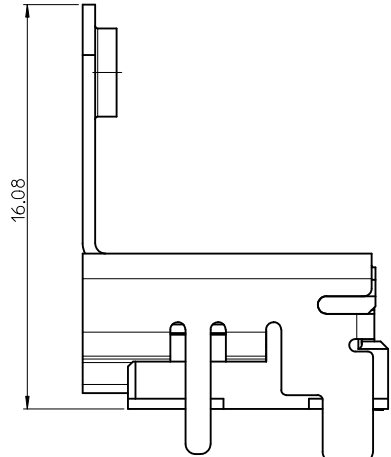
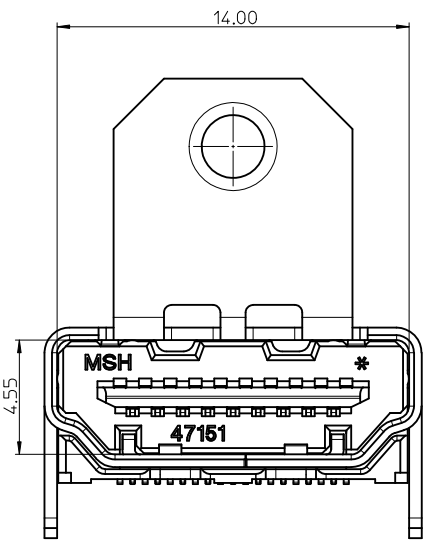


SCREW HOLE

BACK COVER

TERMINAL

THIS IS ONLY FOR
47151-1025/1075/1085/6022/6032/1026/2062



- NOTES:
1. THE UNSPECIFIED DIMENSIONS REFER TO 47151-0002.
 2. PACKAGE SPECIFICATION FOR WITH FLANGE:
 OPTION 1: 47151-1026/2062/6032 REFER TO PK-47151-005.
 OPTION 2: 47151-1102 REFER TO PK-47151-003.
 OPTION 3: OTHER PART NUMBER REFER TO PK-47151-002.

SEE SHEET 1 EC NO: SH2010-0164 DRW: XQZHANG CHK: GLLI APPR: XJSONG	2009/10/20 2009/10/21 2009/11/30	DESCRIPTION REV	QUALITY SYMBOLS	GENERAL TOLERANCES (UNLESS SPECIFIED)	DIMENSION STYLE	SCALE	DESIGN UNITS	THIRD ANGLE PROJECTION	
			$\nabla_A = 0$ $\nabla_C = 0$ $\nabla_B = 0$	mm INCH 4 PLACES ± --- ± --- 3 PLACES ± --- ± --- 2 PLACES ± 0.25 ± --- 1 PLACE ± 0.25 ± --- ANGULAR ± 3 °	MM ONLY	5:1	METRIC		
				DRAFT WHERE APPLICABLE MUST REMAIN WITHIN DIMENSIONS	DRAWN BY: RZHANG CHECKED BY: GRMA APPROVED BY: YTYAP MATERIAL NO.	DATE: 2004/07/20 DATE: 2004/07/20 DATE: 2004/07/20	TITLE 1.0 HDMI RIGHT ANGLE HEADER ASSEMBLY(19 PIN) LEAD FREE		
					SEE SHEET 8 SIZE: A3	MOLEX INCORPORATED DOCUMENT NO. SD-47151-001		SHEET NO. 4 OF 8	



WITHOUT TOP HOLE



- NOTES:
1. THE UNSPECIFIED DIMENSIONS REFER TO 47151-1102.
 2. PACKAGE SPECIFICATION FOR WITH FLANGE REFER TO PK-47151-002.

SEE SHEET 1 IEC NO: SH2010-0164 DRWN: XZZHANG CH'KD: GLLI APPR: XJ.SONG	2009/10/20 2009/10/21 2009/11/30	DESCRIPTION REV	QUALITY SYMBOLS	GENERAL TOLERANCES (UNLESS SPECIFIED)	DIMENSION STYLE	SCALE	DESIGN UNITS	THIRD ANGLE PROJECTION		
			$\nabla_F = 0$ $\nabla_E = 0$ $\nabla_A = 0$	mm INCH 4 PLACES ± --- ± --- 3 PLACES ± --- ± --- 2 PLACES ± 0.25 ± --- 1 PLACE ± 0.25 ± --- ANGULAR ± 3 °	MM ONLY	5:1	METRIC	DRAWN BY: RZHANG CHECKED BY: GRMA APPROVED BY: YTYAP MATERIAL NO.	DATE: 2004/07/20 DATE: 2004/07/20 DATE: 2004/07/20	TITLE: 1.0 HDMI RIGHT ANGLE HEADER ASSEMBLY(19 PIN) LEAD FREE MOLEX INCORPORATED DOCUMENT NO. SD-47151-001
			DRAFT WHERE APPLICABLE MUST REMAIN WITHIN DIMENSIONS	SEE SHEET 7	SIZE A3	THIS DRAWING CONTAINS INFORMATION THAT IS PROPRIETARY TO MOLEX INCORPORATED AND SHOULD NOT BE USED WITHOUT WRITTEN PERMISSION		SHEET NO. 5 OF 8		

ASSEMBLY P/N	DIMENSION					FEATURE				HOUSING COLOUR	GOLD PLATING IN CONTACT AREA	SHELL PLATING	REMARK		
	DIM A	DIM B	DIM C	DIM D	DIM E	FLANGE	BACK COVER	TOP HOLES	MYLAR						
47151-0001	1.80	2.20	/	/	/	W/O	W/O	WITH	W/O	BLACK	SEE NOTE 2 (1)	SEE NOTE 2 (a)	FOR SHEET 1		
47151-0041															
47151-0051															
47151-0011															
47151-0071															
47151-0061															
47151-0021															
47151-0031															
47151-0101	1.45	1.45	/	/	/	W/O	W/O	WITH	W/O	BLACK	SEE NOTE 2 (1)	SEE NOTE 2 (a)		FOR SHEET 2	
47151-0141															
47151-0151															
47151-0111															
47151-0181															
47151-0161															
47151-0121															
47151-0131															
47151-0002	1.80	2.20	M3.0x0.5	16.08	13.38	WITH	W/O	WITH	W/O	BLACK	SEE NOTE 2 (1)	SEE NOTE 2 (a)	FOR SHEET 2		
47151-0042															
47151-0062															
47151-0012															
47151-0052															
47151-0072															
47151-0022															
47151-0032															
47151-0102	1.45	1.45	M3.0x0.5	16.08	13.38	WITH	W/O	WITH	W/O	BLACK	SEE NOTE 2 (1)	SEE NOTE 2 (a)		FOR SHEET 2	
47151-0142															
47151-0162															
47151-0112															
47151-0152															
47151-0172															
47151-0122															
47151-0132															
47151-6002	1.80	2.20	M3.0x0.5	14.25	11.28	WITH	W/O	WITH	W/O	BLACK	SEE NOTE 2 (1)	SEE NOTE 2 (a)	FOR SHEET 2		
47151-6062															
47151-6082															
47151-6102	1.45	1.45	M3.0x0.5	14.25	11.28	WITH	W/O	WITH	W/O	BLACK	SEE NOTE 2 (1)	SEE NOTE 2 (a)			FOR SHEET 2
47151-6172															
47151-6162															

SEE SHEET 1 EC NO: SH2010-0164 DRWN: XZHZHANG CHKD: GLLI APPR: XJ.SONG	2009/10/20 2009/10/21 2009/11/30	QUALITY SYMBOLS $F_A=0$ $F_C=0$ $F_P=0$	GENERAL TOLERANCES (UNLESS SPECIFIED)		DIMENSION STYLE MM ONLY		SCALE 1:1	DESIGN UNITS METRIC	THIRD ANGLE PROJECTION	
					DRAWN BY RZHANG	DATE 2004/07/20	TITLE 1.0 HDMI RIGHT ANGLE HEADER ASSEMBLY(19 PIN) LEAD FREE			
					CHECKED BY GRMA	DATE 2004/07/20	MOLEX INCORPORATED			
					APPROVED BY YTYAP	DATE 2004/07/20	MATERIAL NO. SEE TABLE		DOCUMENT NO. SD-47151-001	SHEET NO. 6 OF 8
DRAFT WHERE APPLICABLE MUST REMAIN WITHIN DIMENSIONS			SIZE A3		THIS DRAWING CONTAINS INFORMATION THAT IS PROPRIETARY TO MOLEX INCORPORATED AND SHOULD NOT BE USED WITHOUT WRITTEN PERMISSION					

ASSEMBLY P/N	DIMENSION					FEATURE				HOUSING COLOUR	GOLD PLATING IN CONTACT AREA	SHELL PLATING	REMARK												
	DIM A	DIM B	DIM C	DIM D	DIM E	FLANGE	BACK COVER	TOP HOLES	MYLAR																
47151-1001	1.80	2.20	/	/	/	W/O	WITH	WITH	W/O	BLACK	SEE NOTE 2 (1) SEE NOTE 2 (2) SEE NOTE 2 (3) SEE NOTE 2 (4)	SEE NOTE 2 (a)	FOR SHEET 3												
47151-1041																									
47151-1051																									
47151-1003																									
47151-1061																									
47151-1071																									
47151-1081																									
47151-1011																									
47151-1211																									
47151-1311																									
47151-1021																									
47151-1091																									
47151-1031																									
47151-1101																									
47151-1141	1.45	1.45	/	/	/	W/O	WITH	WITH	W/O	SEE NOTE 2 (1) SEE NOTE 2 (2) SEE NOTE 2 (3) SEE NOTE 2 (1) SEE NOTE 2 (2) SEE NOTE 2 (3)	SEE NOTE 2 (a)	FOR SHEET 5													
47151-1151																									
47151-1111																									
47151-1161																									
47151-1171																									
47151-1121																									
47151-1131																									
47151-7102																									
47151-7142																									
47151-7162																									
													1.45	1.45	M3.0x0.5	16.08	13.38	WITH	WITH	W/O	W/O	BLACK	SEE NOTE 2 (1) SEE NOTE 2 (2) SEE NOTE 2 (3)	SEE NOTE 2 (a)	FOR SHEET 5

SEE SHEET 1 EC NO: SH2010-0164 DRWN: XZHANG 2009/10/20 CHKD: GLLI 2009/10/21 APPR: XJISONG 2009/11/30	QUALITY SYMBOLS $\nabla_A = 0$ $\nabla_B = 0$ $\nabla_C = 0$	GENERAL TOLERANCES (UNLESS SPECIFIED)		DIMENSION STYLE MM ONLY		SCALE 1:1	DESIGN UNITS METRIC	THIRD ANGLE PROJECTION		
			4 PLACES \pm --- \pm --- 3 PLACES \pm --- \pm --- 2 PLACES \pm 0.25 \pm --- 1 PLACE \pm 0.25 \pm ---	mm INCH	DRAWN BY RZHANG	DATE 2004/07/20	TITLE 1.0 HDMI RIGHT ANGLE HEADER ASSEMBLY(19 PIN) LEAD FREE			
		ANGULAR \pm 3 °		CHECKED BY GRMA	DATE 2004/07/20	MOLEX INCORPORATED				
		DRAFT WHERE APPLICABLE MUST REMAIN WITHIN DIMENSIONS		APPROVED BY YTYAP	DATE 2004/07/20	MATERIAL NO. SEE TABLE	DOCUMENT NO. SD-47151-001	SHEET NO. 7 OF 8		

ASSEMBLY P/N	DIMENSION					FEATURE				HOUSING COLOUR	GOLD PLATING IN CONTACT AREA	SHELL PLATING	REMARK		
	DIM A	DIM B	DIM C	DIM D	DIM E	FLANGE	BACK COVER	TOP HOLES	MYLAR						
47151-1002	1.80	2.20	M3.0x0.5	16.08	13.38	WITH	WITH	WITH	W/O	BLACK	SEE NOTE 2 (1) SEE NOTE 2 (2) SEE NOTE 2 (3) SEE NOTE 2 (4)	SEE NOTE 2 (a)	FOR SHEET 4		
47151-1042															
47151-1052															
47151-1062															
47151-2062															
47151-1012									W/O	NATURE	SEE NOTE 2 (1) SEE NOTE 2 (2) SEE NOTE 2 (3)				
47151-1072															
47151-1082															
47151-1022														BLACK	SEE NOTE 2 (1)
47151-1032															
47151-1102	1.45	1.45	M3.0x0.5	16.08	13.38	WITH	WITH	WITH	W/O	BLACK	SEE NOTE 2 (1) SEE NOTE 2 (2) SEE NOTE 2 (3) SEE NOTE 2 (1)				
47151-1142															
47151-1152															
47151-1112															
47151-1162									NATURE	SEE NOTE 2 (2) SEE NOTE 2 (3)					
47151-1172															
47151-1122											BLACK	SEE NOTE 2 (1)			
47151-1132														NATURE	SEE NOTE 2 (1)
47151-1005	1.80	2.20	4-40	16.08	13.38	WITH	WITH	WITH	W/O	BLACK	SEE NOTE 2 (1) SEE NOTE 2 (2) SEE NOTE 2 (3) SEE NOTE 2 (1) SEE NOTE 2 (2) SEE NOTE 2 (3)				
47151-1045															
47151-1065															
47151-1015															
47151-1035															
47151-1055									NATURE	SEE NOTE 2 (1) SEE NOTE 2 (2) SEE NOTE 2 (3)					
47151-1025															
47151-1075											WITH	BLACK		SEE NOTE 2 (1) SEE NOTE 2 (2) SEE NOTE 2 (3)	
47151-1085															
47151-1026															
47151-6012	1.80	2.20	M3.0x0.5	14.25	11.28	WITH	WITH	WITH	W/O	BLACK	SEE NOTE 2 (1) SEE NOTE 2 (2) SEE NOTE 2 (3)				
47151-6042															
47151-6052															
47151-6022									WITH	BLACK	SEE NOTE 2 (1) SEE NOTE 2 (3)				
47151-6032															
47151-6112												W/O		BLACK	SEE NOTE 2 (1) SEE NOTE 2 (2) SEE NOTE 2 (3)
47151-6142															
47151-6152															

SEE SHEET 1 EC NO: SH2010-0164 DRWN: XZHZHANG 2009/10/20 CH'KD: GLLI 2009/10/21 APPR: XJJSONG 2009/11/30	QUALITY SYMBOLS $\nabla_A = 0$ $\nabla_B = 0$ $\nabla_C = 0$	GENERAL TOLERANCES (UNLESS SPECIFIED)		DIMENSION STYLE MM ONLY	SCALE 1:1	DESIGN UNITS METRIC	THIRD ANGLE PROJECTION		
		4 PLACES \pm --- \pm --- 3 PLACES \pm --- \pm --- 2 PLACES \pm 0.25 \pm --- 1 PLACE \pm 0.25 \pm ---	mm INCH	DRAWN BY RZHANG	DATE 2004/07/20	TITLE 1.0 HDMI RIGHT ANGLE HEADER ASSEMBLY(19 PIN) LEAD FREE			
		ANGULAR \pm 3 °		CHECKED BY GRMA	DATE 2004/07/20	MOLEX INCORPORATED			
		DRAFT WHERE APPLICABLE MUST REMAIN WITHIN DIMENSIONS		APPROVED BY YTYAP	DATE 2004/07/20	MATERIAL NO. SEE TABLE	DOCUMENT NO. SD-47151-001	SHEET NO. 8 OF 8	

Компания «Life Electronics» занимается поставками электронных компонентов импортного и отечественного производства от производителей и со складов крупных дистрибьюторов Европы, Америки и Азии.

С конца 2013 года компания активно расширяет линейку поставок компонентов по направлению коаксиальный кабель, кварцевые генераторы и конденсаторы (керамические, пленочные, электролитические), за счёт заключения дистрибьюторских договоров

Мы предлагаем:

- Конкурентоспособные цены и скидки постоянным клиентам.
- Специальные условия для постоянных клиентов.
- Подбор аналогов.
- Поставку компонентов в любых объемах, удовлетворяющих вашим потребностям.
- Приемлемые сроки поставки, возможна ускоренная поставка.
- Доставку товара в любую точку России и стран СНГ.
- Комплексную поставку.
- Работу по проектам и поставку образцов.
- Формирование склада под заказчика.
- Сертификаты соответствия на поставляемую продукцию (по желанию клиента).
- Тестирование поставляемой продукции.
- Поставку компонентов, требующих военную и космическую приемку.
- Входной контроль качества.
- Наличие сертификата ISO.

В составе нашей компании организован Конструкторский отдел, призванный помогать разработчикам, и инженерам.

Конструкторский отдел помогает осуществить:

- Регистрацию проекта у производителя компонентов.
- Техническую поддержку проекта.
- Защиту от снятия компонента с производства.
- Оценку стоимости проекта по компонентам.
- Изготовление тестовой платы монтаж и пусконаладочные работы.



Тел: +7 (812) 336 43 04 (многоканальный)
Email: org@lifeelectronics.ru