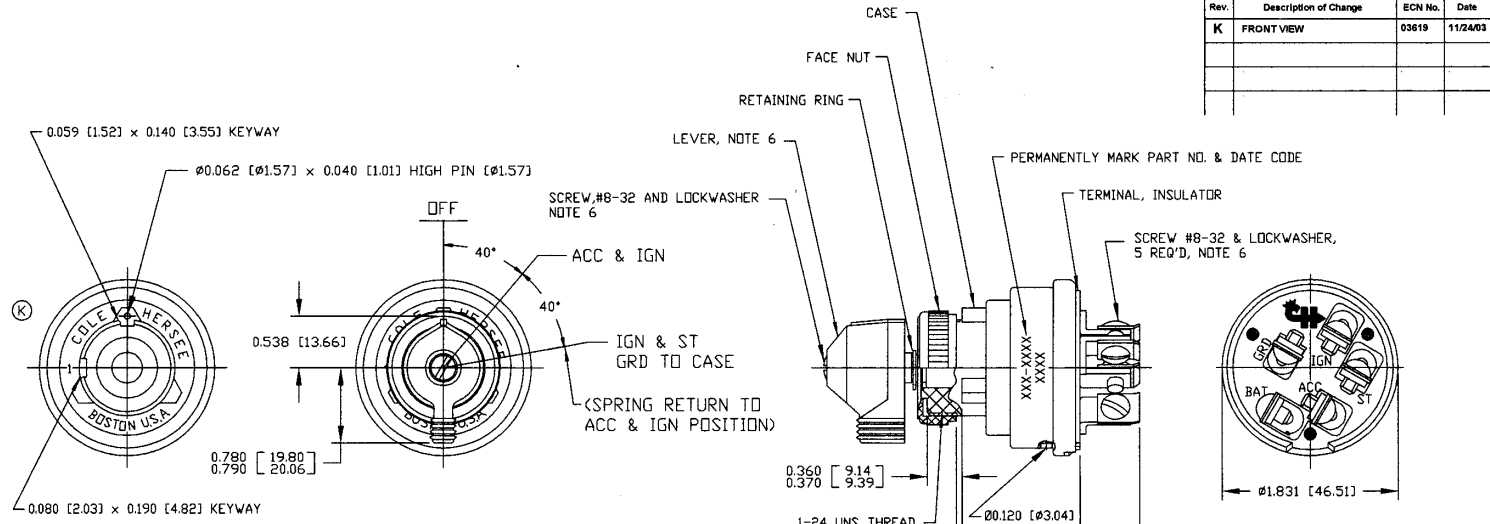


Revision Control Record

Rev.	Description of Change	ECN No.	Date
K	FRONT VIEW	03619	11/24/03



0.059 [1.52] x 0.140 [3.55] KEYWAY

Ø0.062 [Ø1.57] x 0.040 [1.01] HIGH PIN [Ø1.57]

OFF

SCREW, #8-32 AND LOCKWASHER
NOTE 6

ACC & IGN

IGN & ST
GRD TO CASE

(SPRING RETURN TO
ACC & IGN POSITION)

PERMANENTLY MARK PART NO. & DATE CODE

TERMINAL, INSULATOR

SCREW #8-32 & LOCKWASHER,
5 REQ'D, NOTE 6

0.538 [13.66]

0.780 [19.80]
0.790 [20.06]

0.080 [2.03] x 0.190 [4.82] KEYWAY

0.360 [9.14]
0.370 [9.39]

Ø0.120 [Ø3.04]
DRAIN HOLE

PANEL
THICKNESS

0.030 [0.76]
0.090 [2.28]

0.619 [15.72]

1-24 UNS THREAD

Ø1.831 [46.51]

FRONT VIEW SHOWN W/D
LEVER AND FACE NUT

- NOTES:
1. ALL DIMENSIONS ARE REFERENCE ONLY
 2. ALL STEEL PARTS PLATED
 3. SHAFT O-RING SEALED TO CASE
 4. TERMINAL INSULATOR GASKET SEALED
 5. START LOCK-OUT FEATURE; SWITCH MUST GO TO 'OFF' POSITION BEFORE START CIRCUIT CAN BE RE-ENERGIZED
 6. PARTS MAY BE ASSEMBLED OR SUPPLIED IN A PLASTIC BAG
 7. APPLICABLE SAE STANDARD OR RECOMMENDED PRACTICE SAE J259

Interchange: Unless otherwise specifically noted, the following are default dimensions:
 • Spline Distal Dimensions = .02"
 • Spline Distal Dimensions = .015"
 • Angular Dimensions = ±1.0 Deg.
 • Metric: Refer to equivalent English Dimension Tables
 *** NOTE: All tolerances are Non-Conservative. ***

Dimensional Limits: All dimensions are expressed in inches except those shown in brackets (mm) are expressed in millimeters.

*****CIP*** or an Ashland, TN, Non-Toleranced Reference Dimension, shown for identification purposes only.**

Used On: **EX26018** Scale: **1:1**

PROFESSIONAL INFORMATION: This Engineering Drawing, and the information contained herein, is property of Cole Hersee Company and may not be disclosed, reproduced, or in any other way transmitted or communicated to any other party without the express written consent of an authorized representative of Cole Hersee Company.

DESIGN CONTROL: It is the responsibility of the individual using/referencing this drawing to ensure that the noted design revision level agrees with the revision level of the Control Drawing (Master Drawing). This is a NON-CONTROLLED DOCUMENT unless otherwise specifically noted.

DO NOT SCALE: Dimensional variation may occur during printing/ reproduction.

Drawn By: **KPC** Date: **4/17/06**

Basic Characteristics:

- ⊕ Critical Characteristics: relating to Safety and/or Regulatory Compliance
- ⊗ Significant Characteristics relating to Process Control (SPC)
- ⓧ Control Dimension relating to Form - Fit - Function as defined by Cole Hersee Company and/or the Customer.

(Note that the identification of any Characteristics as being "Special" does not alter the requirement that ALL specified dimensions & tolerances must be met.)

Responsible Engineer: **Pg. 1 of 1**

Cole Hersee Co.
 30 Old Colony Ave., South Boston, MA, 02127
 Phone: 617-268-2100 Web: www.colehersee.com

Description: **SW, IGN & START, 3 POS**

Drawing / Part No.: **956-3124**

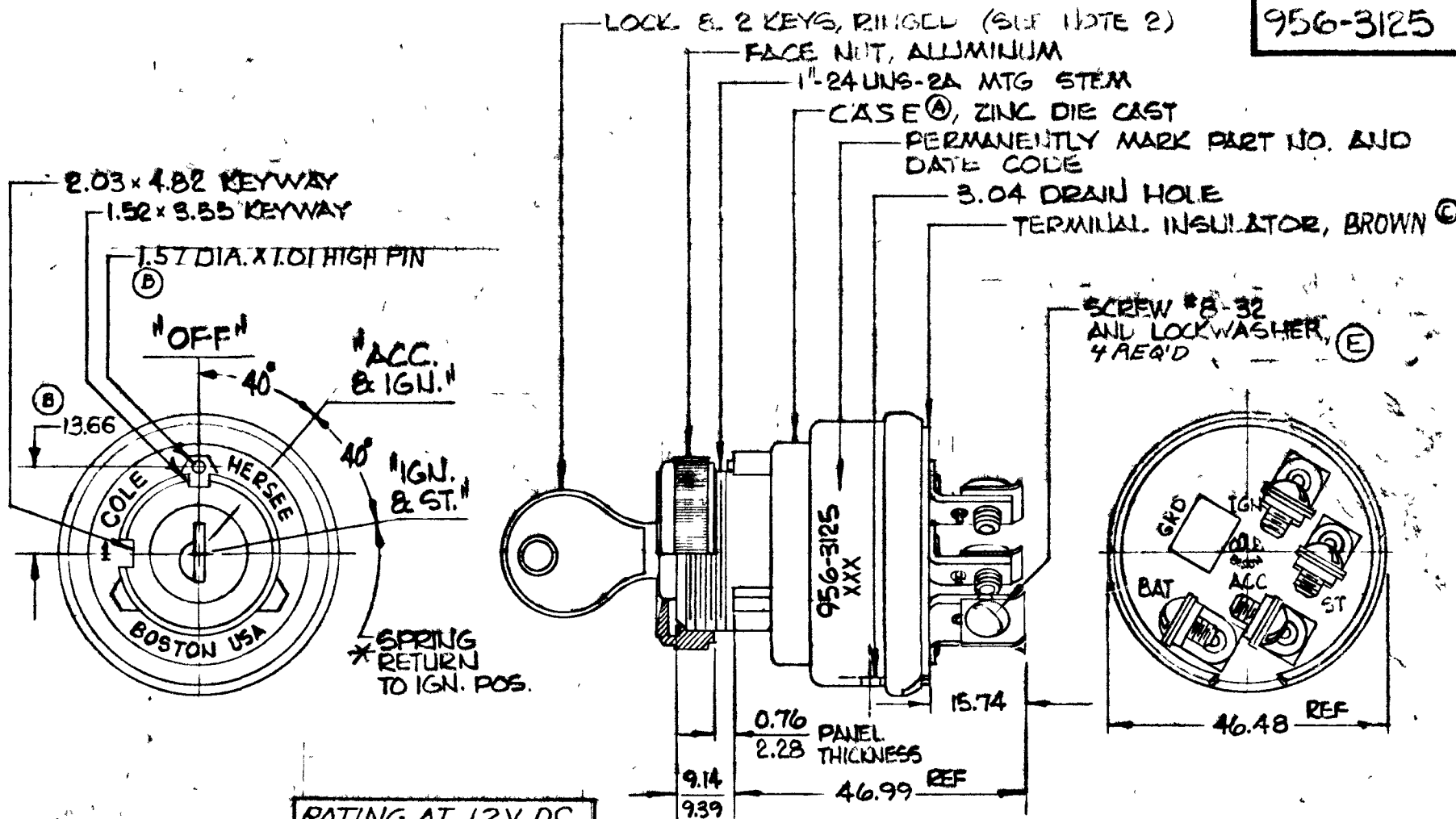
Current Rev.: **K**

ST CIRCUIT	5 AMPS
IGN CIRCUIT	10 AMPS
ACC CIRCUIT	10 AMPS
RATING AT 12 VDC	

MM	IN
0.25	.010
0.76	.030
1.01	.040
1.57	.062
1.52	.059
2.03	.080
2.28	.090
3.55	.140
4.82	.190
9.14	.360
9.39	.370
15.74	.620

46.48	1.850
46.99	1.850
3.04	.120
13.66	.538

COLE-HERSEE CO.
NPM



956-3125

RATING AT 12V DC	
ACC	30 AMPS
IGN	10 AMPS
START	10 AMPS

METRIC

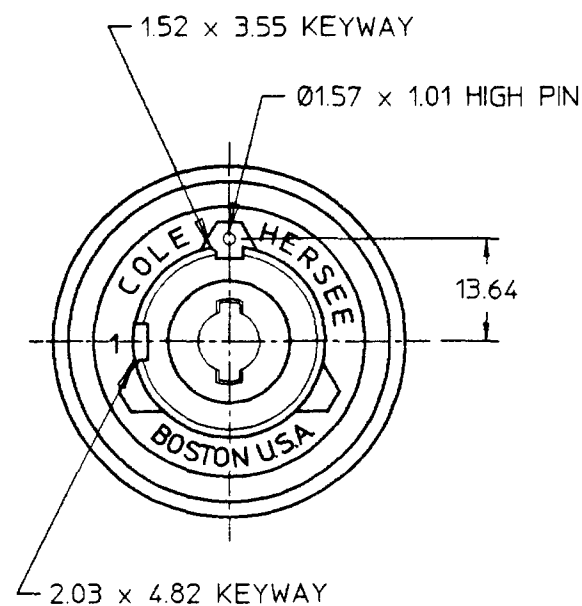
- NOTES:
1. TERMINAL INSULATOR GASKET SEALED.
 2. SHUTTER TYPE SEAL ON LOCK FACE.
 - *3. START LOCK-OUT FEATURE; SWITCH MUST GO TO "OFF" POSITION BEFORE START CIRCUIT CAN BE RE-ENERGIZED.
 4. APPLICABLE SAE STANDARD OR RECOMMENDED PRACTICE SAE J259.
 - ⑤ ALL STEEL PARTS PLATED

DO NOT SCALE

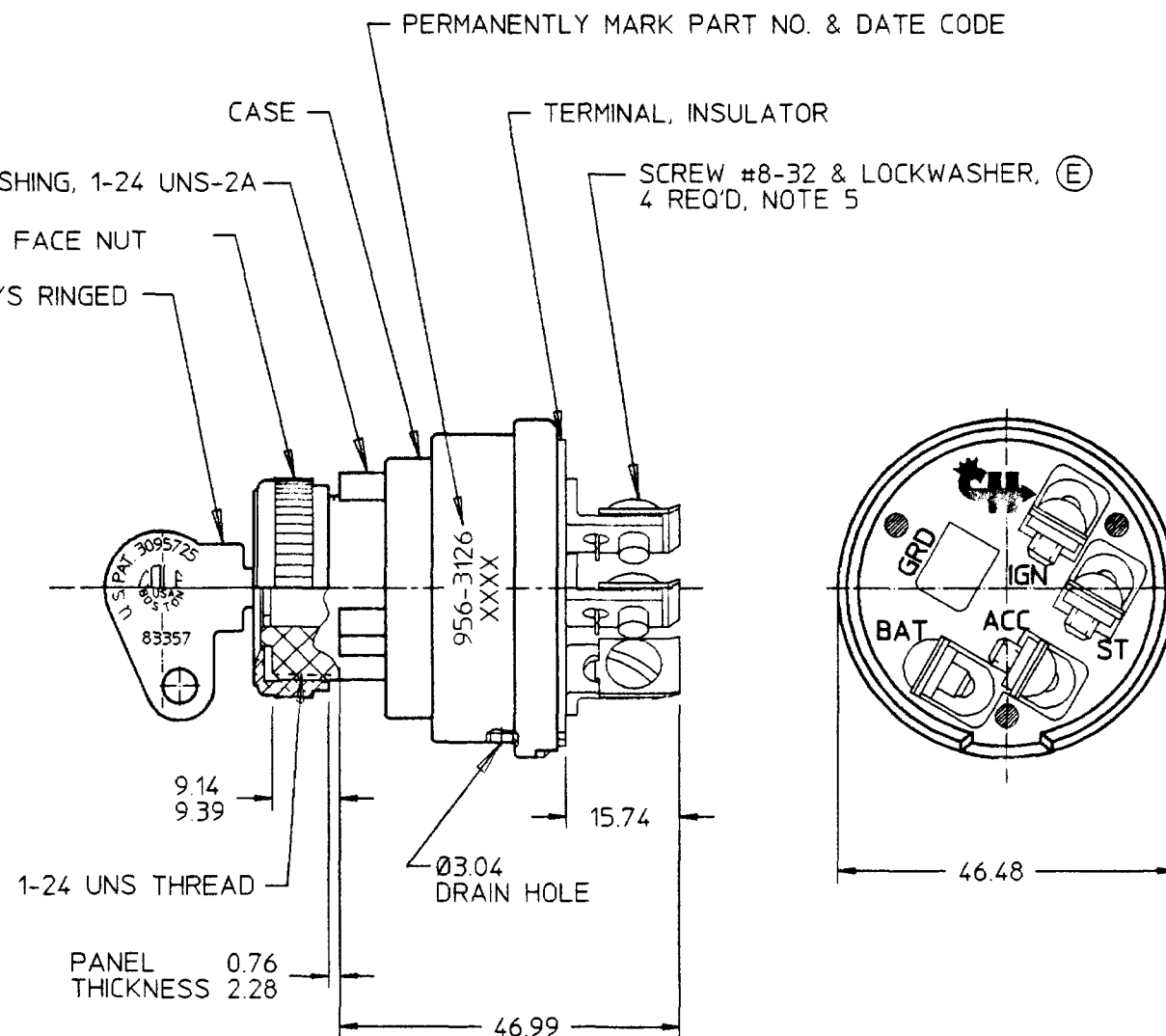
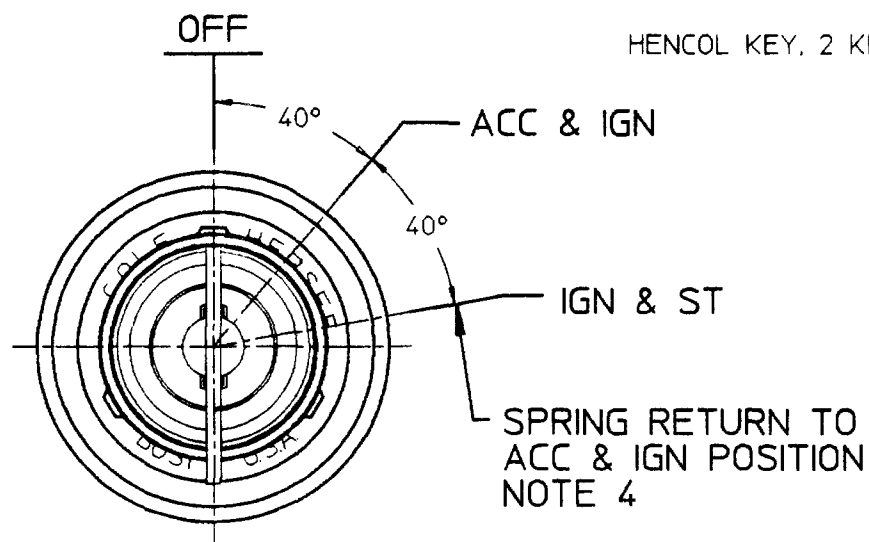
LET	WAS	DATE	BY	LET	WAS	DATE	BY	MATERIAL	DRAWN	CHECKED	APPRV D	SCALE	956-3122 LESS O-RINGS & GND CIRCUIT	DATE DRAWN
				D	NO ADDED	12/20/90	LSH	—	KPC	RF		1:1		10-26-76
				C	ECN 25189	8/13/76	LSH	FINISH	COLE-HERSEE COMPANY BOSTON, MASS. 02127, U.S.A.					DATE BLUEPRINT
				B	16.01/22457	6-5-84	LSH	—						
				A	HOUSING	813-82	OK	TOLERANCES	3-POSITION IGN. & START SWITCH					956-3125
E	ECN 40137	3/1/00	MA		15 JUL	11/2/16	TY	FRACTIONAL ±						
								DECIMAL ±.25						

SPaulding CO., INC 21-5353

MM	IN
0.76	0.030
1.01	0.040
1.52	0.059
1.57	0.061
2.03	0.080
2.28	0.090
3.04	0.120
3.55	0.140
4.82	0.190
9.14	0.360
9.39	0.370
13.66	0.538
19.81	0.780
20.06	0.790
46.48	1.830
46.99	1.850



FRONT VIEW SHOWN W/O KEY AND FACE NUT



- NOTES:
1. ALL DIMENSIONS ARE REFERENCE ONLY
 2. ALL STEEL PARTS PLATED
 3. TERMINAL INSULATOR GASKET SEALED
 4. START LOCK-OUT FEATURE, SWITCH MUST GO TO "OFF" POSITION BEFORE START CIRCUIT CAN BE RE-ENERGIZED
 5. PARTS MAY BE ASSEMBLED OR SUPPLIED IN A PLASTIC BAG
 6. APPLICABLE SAE STANDARD OR RECOMMENDED PRACTICE SAE J259

DO NOT SCALE

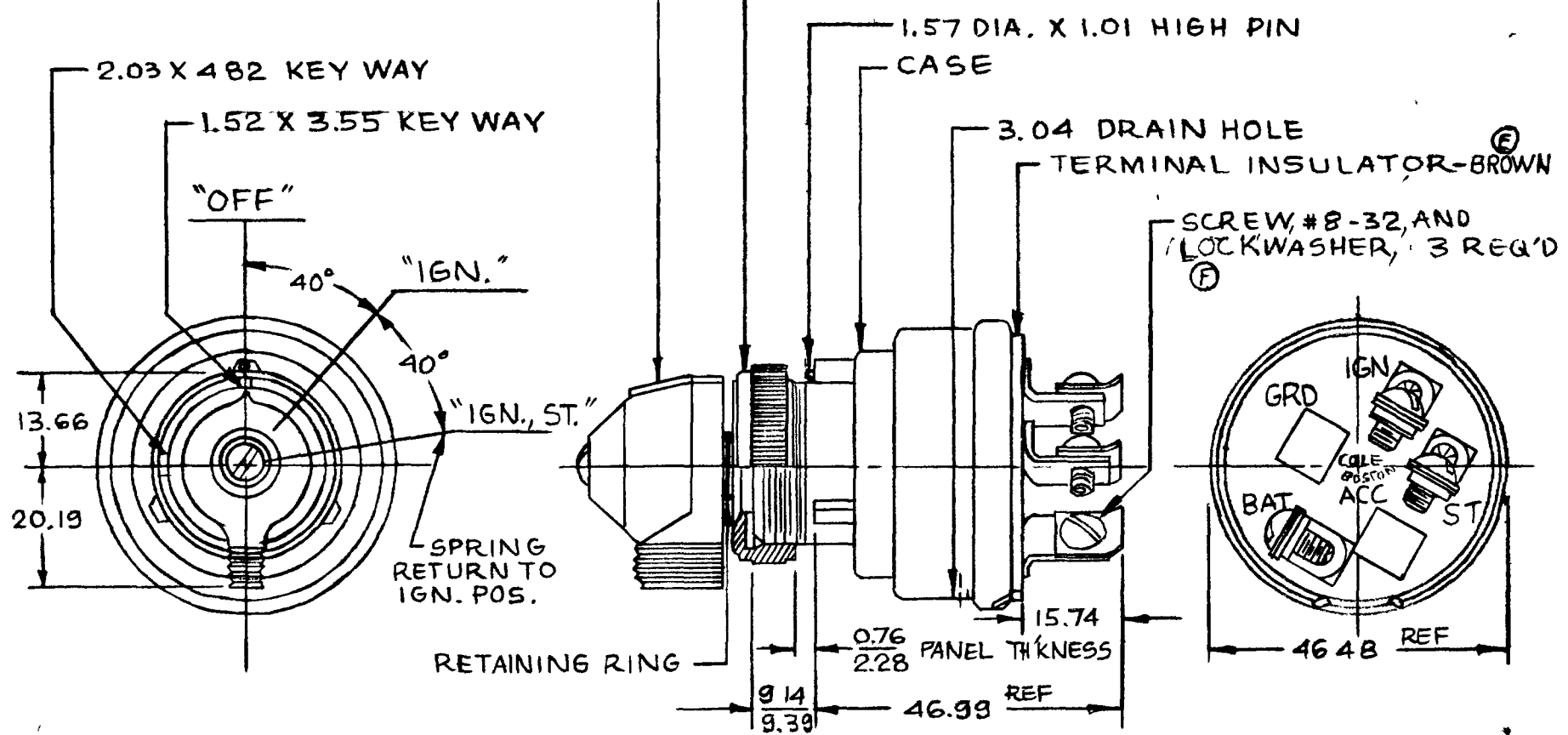
LET.	WAS	DATE	BY	LET.	WAS	DATE	BY	MATERIAL	DRAWN	CHK	APVD	SCALE	DATE DRAWN
									KG	Jmp		1:1	10/27/97
								FINISH	Cole Hersee Co. 20 OLD COLONY AVENUE, BOSTON, MA., U.S.A., 02127				DATE BLUEPRINTED
				F	ECN #98258	04/29/98	COL	TOLERANCES	SW, IGN & START, 3 POS				956-3126
				E	PUT ON CAD ECN #26936	9/12/97	AJS	DECIMAL ± ANGLE ±					

METRIC

MM	IN
0.25	.010
0.76	.030
1.01	.040
1.57	.060
2.03	.080
2.28	.090
2.55	.100
4.82	.190
9.14	.360
9.39	.370
15.74	.620
20.19	.795
46.48	1.830
46.99	1.850
15.74	.620
13.66	.538
3.04	.120

956-3127

APPLICABLE SAE STANDARD OR
RECOMMENDED PRACTICE SAE J259



RATING AT 24 VDC
IGN CIRCUIT 10 AMPS
ST. CIRCUIT 5 AMPS

NOTES:
1. SHAFT O RING SEALED TO HOUSING
2. TERMINAL INSULATOR GASKET SEALED
3. START LOCK-OUT FEATURE; SWITCH MUST GO TO "OFF" POSITION BEFORE START CIRCUIT CAN BE RE-ENERGIZED.

METRIC

DO NOT SCALE

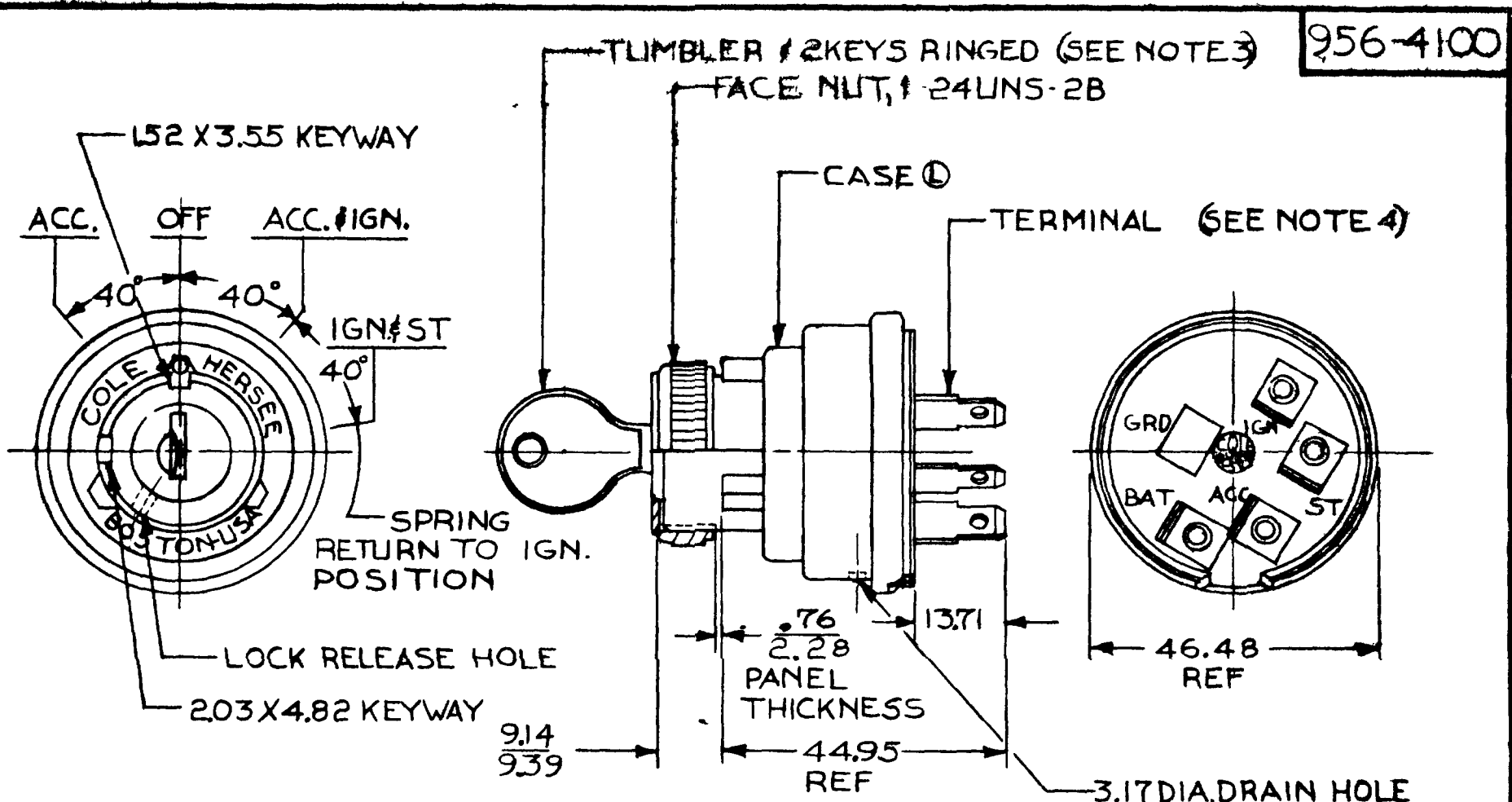
LET	WAS	DATE	BY	LET	WAS	DATE	BY	MATERIAL	DRAWN	CHECKED	APPRV'D	SCALE	DATE DRAWN
								#	EA			1:1	1-10-77
								FINISH					DATE BLUEPRINT
				F	ECN 00140	3/1/00	MA						
				E	ECN 25189	8/1/92	TJH	TOLERANCES					
				D	REDRAWN	10/29/90	BL	DECIMAL ±					
								METRIC ±.25					
3 POSITION IGN. & START SWITCH												956-3127	

CH-188(4-78)

MM IN
 .25 .010
 .76 .030
 1.52 .060
 2.03 .080
 2.28 .090
 3.55 .140
 4.82 .190
 9.14 .360
 9.39 .370
 13.71 .540
 44.95 1.770
 46.48 1.830

TSE-1034

EX 14258



956-4100

METRIC

RATINGS AT 12VDC	
ACC. CIRCUIT	10 AMPS
IGN. "	10 "
ST. "	5 "

- NOTES:
1. APPLICABLE SAE STANDARD OR RECOMMENDED PRACTICE SAE J259
 2. LOCK REMOVABLE IN IGN. POSITION
 3. SHUTTER TYPE SEAL ON LOCK FACE
 4. TERMINALS ARRANGED TO FIT PACKARD CONNECTOR #2962912 OR EQUIV.

DO NOT SCALE

LET	WAS	DATE	BY	LET	WAS	DATE	BY	MATERIAL	DRAWN	CHECKED	APPR'D	SCALE	DATE DRAWN
								#	M.F.	4-28-80		1:1	2-24-66
								FINISH					DATE BLUEPRINT
								TOLERANCES	 30 OLD BOSTON AVENUE SOUTH BOSTON MA U.S.A. 02127				
								DECIMAL ±					IGN & START SWITCH
								METRIC ± .05	(4 POSITION)	956-4100			

CH-1894-78

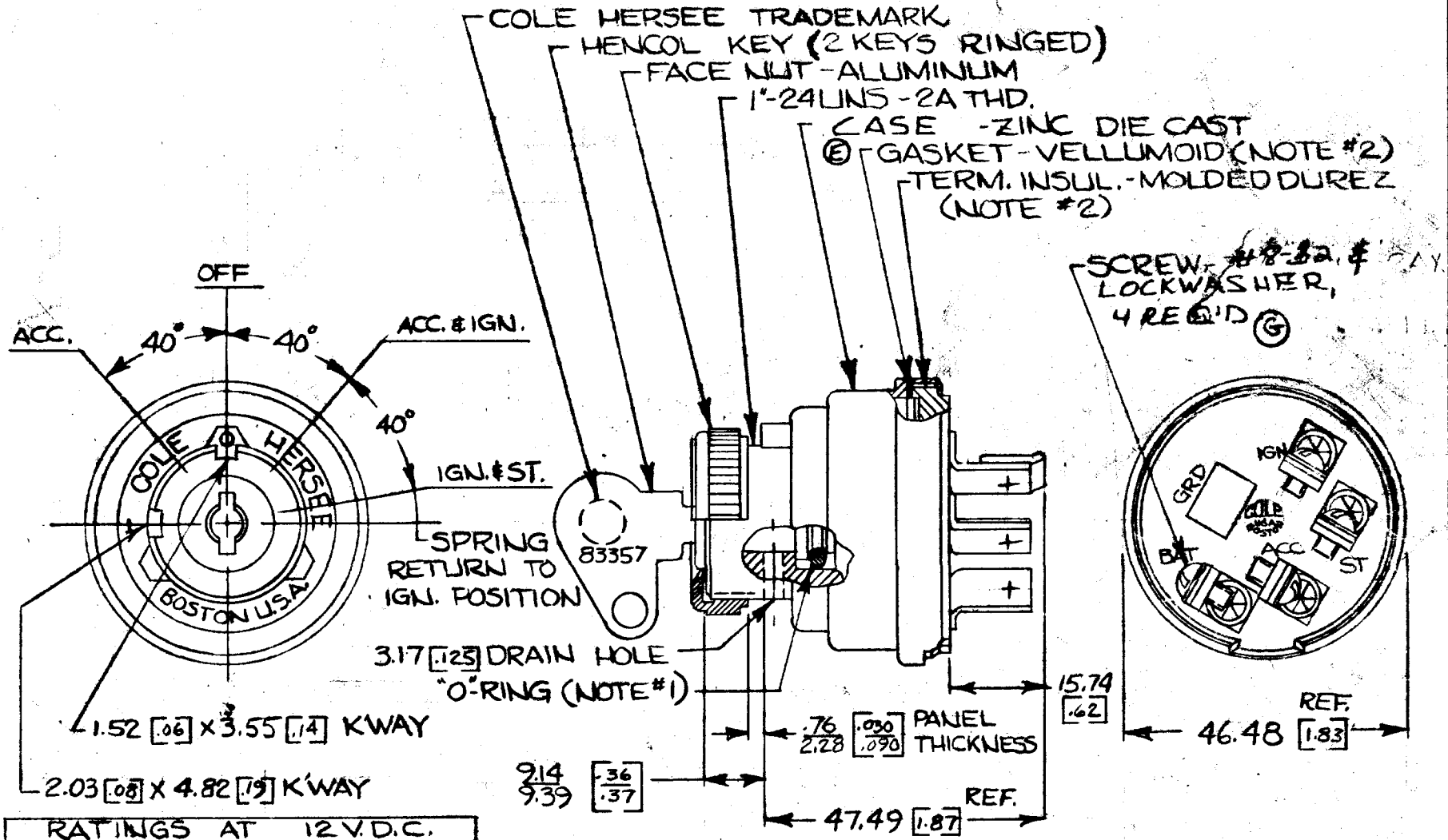
MM IN
 0.76 0.03
 1.52 0.06
 2.28 0.09
 3.04 0.12
 3.80 0.15
 4.56 0.18
 5.32 0.21
 6.08 0.24
 6.84 0.27
 7.60 0.30
 8.36 0.33
 9.12 0.36
 9.88 0.39
 10.64 0.42
 11.40 0.45
 12.16 0.48
 12.92 0.51
 13.68 0.54
 14.44 0.57
 15.20 0.60
 15.96 0.63
 16.72 0.66
 17.48 0.69
 18.24 0.72
 19.00 0.75
 19.76 0.78
 20.52 0.81
 21.28 0.84
 22.04 0.87
 22.80 0.90
 23.56 0.93
 24.32 0.96
 25.08 0.99
 25.84 1.02
 26.60 1.05
 27.36 1.08
 28.12 1.11
 28.88 1.14
 29.64 1.17
 30.40 1.20
 31.16 1.23
 31.92 1.26
 32.68 1.29
 33.44 1.32
 34.20 1.35
 34.96 1.38
 35.72 1.41
 36.48 1.44
 37.24 1.47
 38.00 1.50
 38.76 1.53
 39.52 1.56
 40.28 1.59
 41.04 1.62
 41.80 1.65
 42.56 1.68
 43.32 1.71
 44.08 1.74
 44.84 1.77
 45.60 1.80
 46.36 1.83
 47.12 1.86
 47.88 1.89
 48.64 1.92
 49.40 1.95
 50.16 1.98
 50.92 2.01
 51.68 2.04
 52.44 2.07
 53.20 2.10
 53.96 2.13
 54.72 2.16
 55.48 2.19
 56.24 2.22
 57.00 2.25
 57.76 2.28
 58.52 2.31
 59.28 2.34
 60.04 2.37
 60.80 2.40
 61.56 2.43
 62.32 2.46
 63.08 2.49
 63.84 2.52
 64.60 2.55
 65.36 2.58
 66.12 2.61
 66.88 2.64
 67.64 2.67
 68.40 2.70
 69.16 2.73
 69.92 2.76
 70.68 2.79
 71.44 2.82
 72.20 2.85
 72.96 2.88
 73.72 2.91
 74.48 2.94
 75.24 2.97
 76.00 3.00
 76.76 3.03
 77.52 3.06
 78.28 3.09
 79.04 3.12
 79.80 3.15
 80.56 3.18
 81.32 3.21
 82.08 3.24
 82.84 3.27
 83.60 3.30
 84.36 3.33
 85.12 3.36
 85.88 3.39
 86.64 3.42
 87.40 3.45
 88.16 3.48
 88.92 3.51
 89.68 3.54
 90.44 3.57
 91.20 3.60
 91.96 3.63
 92.72 3.66
 93.48 3.69
 94.24 3.72
 95.00 3.75
 95.76 3.78
 96.52 3.81
 97.28 3.84
 98.04 3.87
 98.80 3.90
 99.56 3.93
 100.32 3.96
 101.08 3.99
 101.84 4.02
 102.60 4.05
 103.36 4.08
 104.12 4.11
 104.88 4.14
 105.64 4.17
 106.40 4.20
 107.16 4.23
 107.92 4.26
 108.68 4.29
 109.44 4.32
 110.20 4.35
 110.96 4.38
 111.72 4.41
 112.48 4.44
 113.24 4.47
 114.00 4.50
 114.76 4.53
 115.52 4.56
 116.28 4.59
 117.04 4.62
 117.80 4.65
 118.56 4.68
 119.32 4.71
 120.08 4.74
 120.84 4.77
 121.60 4.80
 122.36 4.83
 123.12 4.86
 123.88 4.89
 124.64 4.92
 125.40 4.95
 126.16 4.98
 126.92 5.01
 127.68 5.04
 128.44 5.07
 129.20 5.10
 129.96 5.13
 130.72 5.16
 131.48 5.19
 132.24 5.22
 133.00 5.25
 133.76 5.28
 134.52 5.31
 135.28 5.34
 136.04 5.37
 136.80 5.40
 137.56 5.43
 138.32 5.46
 139.08 5.49
 139.84 5.52
 140.60 5.55
 141.36 5.58
 142.12 5.61
 142.88 5.64
 143.64 5.67
 144.40 5.70
 145.16 5.73
 145.92 5.76
 146.68 5.79
 147.44 5.82
 148.20 5.85
 148.96 5.88
 149.72 5.91
 150.48 5.94
 151.24 5.97
 152.00 6.00
 152.76 6.03
 153.52 6.06
 154.28 6.09
 155.04 6.12
 155.80 6.15
 156.56 6.18
 157.32 6.21
 158.08 6.24
 158.84 6.27
 159.60 6.30
 160.36 6.33
 161.12 6.36
 161.88 6.39
 162.64 6.42
 163.40 6.45
 164.16 6.48
 164.92 6.51
 165.68 6.54
 166.44 6.57
 167.20 6.60
 167.96 6.63
 168.72 6.66
 169.48 6.69
 170.24 6.72
 171.00 6.75
 171.76 6.78
 172.52 6.81
 173.28 6.84
 174.04 6.87
 174.80 6.90
 175.56 6.93
 176.32 6.96
 177.08 6.99
 177.84 7.02
 178.60 7.05
 179.36 7.08
 180.12 7.11
 180.88 7.14
 181.64 7.17
 182.40 7.20
 183.16 7.23
 183.92 7.26
 184.68 7.29
 185.44 7.32
 186.20 7.35
 186.96 7.38
 187.72 7.41
 188.48 7.44
 189.24 7.47
 190.00 7.50
 190.76 7.53
 191.52 7.56
 192.28 7.59
 193.04 7.62
 193.80 7.65
 194.56 7.68
 195.32 7.71
 196.08 7.74
 196.84 7.77
 197.60 7.80
 198.36 7.83
 199.12 7.86
 199.88 7.89
 200.64 7.92
 201.40 7.95
 202.16 7.98
 202.92 8.01
 203.68 8.04
 204.44 8.07
 205.20 8.10
 205.96 8.13
 206.72 8.16
 207.48 8.19
 208.24 8.22
 209.00 8.25
 209.76 8.28
 210.52 8.31
 211.28 8.34
 212.04 8.37
 212.80 8.40
 213.56 8.43
 214.32 8.46
 215.08 8.49
 215.84 8.52
 216.60 8.55
 217.36 8.58
 218.12 8.61
 218.88 8.64
 219.64 8.67
 220.40 8.70
 221.16 8.73
 221.92 8.76
 222.68 8.79
 223.44 8.82
 224.20 8.85
 224.96 8.88
 225.72 8.91
 226.48 8.94
 227.24 8.97
 228.00 9.00
 228.76 9.03
 229.52 9.06
 230.28 9.09
 231.04 9.12
 231.80 9.15
 232.56 9.18
 233.32 9.21
 234.08 9.24
 234.84 9.27
 235.60 9.30
 236.36 9.33
 237.12 9.36
 237.88 9.39
 238.64 9.42
 239.40 9.45
 240.16 9.48
 240.92 9.51
 241.68 9.54
 242.44 9.57
 243.20 9.60
 243.96 9.63
 244.72 9.66
 245.48 9.69
 246.24 9.72
 247.00 9.75
 247.76 9.78
 248.52 9.81
 249.28 9.84
 250.04 9.87
 250.80 9.90
 251.56 9.93
 252.32 9.96
 253.08 9.99
 253.84 10.02
 254.60 10.05
 255.36 10.08
 256.12 10.11
 256.88 10.14
 257.64 10.17
 258.40 10.20
 259.16 10.23
 259.92 10.26
 260.68 10.29
 261.44 10.32
 262.20 10.35
 262.96 10.38
 263.72 10.41
 264.48 10.44
 265.24 10.47
 266.00 10.50
 266.76 10.53
 267.52 10.56
 268.28 10.59
 269.04 10.62
 269.80 10.65
 270.56 10.68
 271.32 10.71
 272.08 10.74
 272.84 10.77
 273.60 10.80
 274.36 10.83
 275.12 10.86
 275.88 10.89
 276.64 10.92
 277.40 10.95
 278.16 10.98
 278.92 11.01
 279.68 11.04
 280.44 11.07
 281.20 11.10
 281.96 11.13
 282.72 11.16
 283.48 11.19
 284.24 11.22
 285.00 11.25
 285.76 11.28
 286.52 11.31
 287.28 11.34
 288.04 11.37
 288.80 11.40
 289.56 11.43
 290.32 11.46
 291.08 11.49
 291.84 11.52
 292.60 11.55
 293.36 11.58
 294.12 11.61
 294.88 11.64
 295.64 11.67
 296.40 11.70
 297.16 11.73
 297.92 11.76
 298.68 11.79
 299.44 11.82
 300.20 11.85
 300.96 11.88
 301.72 11.91
 302.48 11.94
 303.24 11.97
 304.00 12.00
 304.76 12.03
 305.52 12.06
 306.28 12.09
 307.04 12.12
 307.80 12.15
 308.56 12.18
 309.32 12.21
 310.08 12.24
 310.84 12.27
 311.60 12.30
 312.36 12.33
 313.12 12.36
 313.88 12.39
 314.64 12.42
 315.40 12.45
 316.16 12.48
 316.92 12.51
 317.68 12.54
 318.44 12.57
 319.20 12.60
 319.96 12.63
 320.72 12.66
 321.48 12.69
 322.24 12.72
 323.00 12.75
 323.76 12.78
 324.52 12.81
 325.28 12.84
 326.04 12.87
 326.80 12.90
 327.56 12.93
 328.32 12.96
 329.08 12.99
 329.84 13.02
 330.60 13.05
 331.36 13.08
 332.12 13.11
 332.88 13.14
 333.64 13.17
 334.40 13.20
 335.16 13.23
 335.92 13.26
 336.68 13.29
 337.44 13.32
 338.20 13.35
 338.96 13.38
 339.72 13.41
 340.48 13.44
 341.24 13.47
 342.00 13.50
 342.76 13.53
 343.52 13.56
 344.28 13.59
 345.04 13.62
 345.80 13.65
 346.56 13.68
 347.32 13.71
 348.08 13.74
 348.84 13.77
 349.60 13.80
 350.36 13.83
 351.12 13.86
 351.88 13.89
 352.64 13.92
 353.40 13.95
 354.16 13.98
 354.92 14.01
 355.68 14.04
 356.44 14.07
 357.20 14.10
 357.96 14.13
 358.72 14.16
 359.48 14.19
 360.24 14.22
 361.00 14.25
 361.76 14.28
 362.52 14.31
 363.28 14.34
 364.04 14.37
 364.80 14.40
 365.56 14.43
 366.32 14.46
 367.08 14.49
 367.84 14.52
 368.60 14.55
 369.36 14.58
 370.12 14.61
 370.88 14.64
 371.64 14.67
 372.40 14.70
 373.16 14.73
 373.92 14.76
 374.68 14.79
 375.44 14.82
 376.20 14.85
 376.96 14.88
 377.72 14.91
 378.48 14.94
 379.24 14.97
 380.00 15.00
 380.76 15.03
 381.52 15.06
 382.28 15.09
 383.04 15.12
 383.80 15.15
 384.56 15.18
 385.32 15.21
 386.08 15.24
 386.84 15.27
 387.60 15.30
 388.36 15.33
 389.12 15.36
 389.88 15.39
 390.64 15.42
 391.40 15.45
 392.16 15.48
 392.92 15.51
 393.68 15.54
 394.44 15.57
 395.20 15.60
 395.96 15.63
 396.72 15.66
 397.48 15.69
 398.24 15.72
 399.00 15.75
 399.76 15.78
 400.52 15.81
 401.28 15.84
 402.04 15.87
 402.80 15.90
 403.56 15.93
 404.32 15.96
 405.08 15.99
 405.84 16.02
 406.60 16.05
 407.36 16.08
 408.12 16.11
 408.88 16.14
 409.64 16.17
 410.40 16.20
 411.16 16.23
 411.92 16.26
 412.68 16.29
 413.44 16.32
 414.20 16.35
 414.96 16.38
 415.72 16.41
 416.48 16.44
 417.24 16.47
 418.00 16.50
 418.76 16.53
 419.52 16.56
 420.28 16.59
 421.04 16.62
 421.80 16.65
 422.56 16.68
 423.32 16.71
 424.08 16.74
 424.84 16.77
 425.60 16.80
 426.36 16.83
 427.12 16.86
 427.88 16.89
 428.64 16.92
 429.40 16.95
 430.16 16.98
 430.92 17.01
 431.68 17.04
 432.44 17.07
 433.20 17.10
 433.96 17.13
 434.72 17.16
 435.48 17.19
 436.24 17.22
 437.00 17.25
 437.76 17.28
 438.52 17.31
 439.28 17.34
 440.04 17.37
 440.80 17.40
 441.56 17.43
 442.32 17.46
 443.08 17.49
 443.84 17.52
 444.60 17.55
 445.36 17.58
 446.12 17.61
 446.88 17.64
 447.64 17.67
 448.40 17.70
 449.16 17.73
 449.92 17.76
 450.68 17.79
 451.44 17.82
 452.20 17.85
 452.96 17.88
 453.72 17.91
 454.48 17.94
 455.24 17.97
 456.00 18.00
 456.76 18.03
 457.52 18.06
 458.28 18.09
 459.04 18.12
 459.80 18.15
 460.56 18.18
 461.32 18.21
 462.08 18.24
 462.84 18.27
 463.60 18.30
 464.36 18.33
 465.12 18.36
 465.88 18.39
 466.64 18.42
 467.40 18.45
 468.16 18.48
 468.92 18.51
 469.68 18.54
 470.44 18.57
 471.20 18.60
 471.96 18.63
 472.72 18.66
 473.48 18.69
 474.24 18.72
 475.00 18.75
 475.76 18.78
 476.52 18.81
 477.28 18.84
 478.04 18.87
 478.80 18.90
 479.56 18.93
 480.32 18.96
 481.08 18.99
 481.84 19.02
 482.60 19.05
 483.36 19.08
 484.12 19.11
 484.88 19.14
 485.64 19.17
 486.40 19.20
 487.16 19.23
 487.92 19.26
 488.68 19.29
 489.44 19.32
 490.20 19.35
 490.96 19.38
 491.72 19.41
 492.48 19.44
 493.24 19.47
 494.00 19.50
 494.76 19.53
 495.52 19.56
 496.28 19.59
 497.04 19.62
 497.80 19.65
 498.56 19.68
 499.32 19.71
 500.08 19.74
 500.84 19.77
 501.60 19.80
 502.36 19.83
 503.12 19.86
 503.88 19.89
 504.64 19.92
 505.40 19.95
 506.16 19.98
 506.92 20.01
 507.68 20.04
 508.44 20.07
 509.20 20.10
 509.96 20.13
 510.72 20.16
 511.48 20.19
 512.24 20.22
 513.00 20.25
 513.76 20.28
 514.52 20.31
 515.28 20.34
 516.04 20.37
 516.80 20.40
 517.56 20.43
 518.32 20.46
 519.08 20.49
 519.84 20.52
 520.60 20.55
 521.36 20.58
 522.12 20.61
 522.88 20.64
 523.64 20.67
 524.40 20.70
 525.16 20.73
 525.92 20.76
 526.68 20.79
 527.44 20.82
 528.20 20.85
 528.96 20.88
 529.72 20.91
 530.48 20.94
 531.24 20.97
 532.00 21.00
 532.76 21.03
 533.52 21.06
 534.28 21.09
 535.04 21.12
 535.80 21.15
 536.56 21.18
 537.32 21.21
 538.08 21.24
 538.84 21.27
 539.60 21.30
 540.36 21.33
 541.12 21.36
 541.88 21.39
 542.64 21.42
 543.40 21.45
 544.16 21.48
 544.92 21.51
 545.68 21.54
 546.44 21.57
 547.20 21.60
 547.96 21.63
 548.72 21.66
 549.48 21.69
 550.24 21.72
 551.00 21.75
 551.76 21.78
 552.52 21.81
 553.28 21.84
 554.04 21.87
 554.80 21.90
 555.56 21.93
 556.32 21.96
 557.08 21.99
 557.84 22.02
 558.60 22.05
 559.36 22.08
 560.12 22.11
 560.88 22.14
 561.64 22.17
 562.40 22.20
 563.16 22.23
 563.92 22.26
 564.68 22.29
 565.44 22.32
 566.20 22.35
 566.96 22.38
 567.72 22.41
 568.48 22.44
 569.24 22.47
 570.00 22.50
 570.76 22.53
 571.52 22.56
 572.28 22.59
 573.04 22.62
 573.80

APPLICABLE SAE STANDARD OR RECOMMENDED PRACTICE SAE J259

956-4107

EX-14258

COLE-HERSEE CO.



RATINGS AT 12 V.D.C.	
ACC. CIRCUIT	10 AMPS
IGN.	10
ST.	5

DIMENSIONS: MILLIMETERS [INCHES]

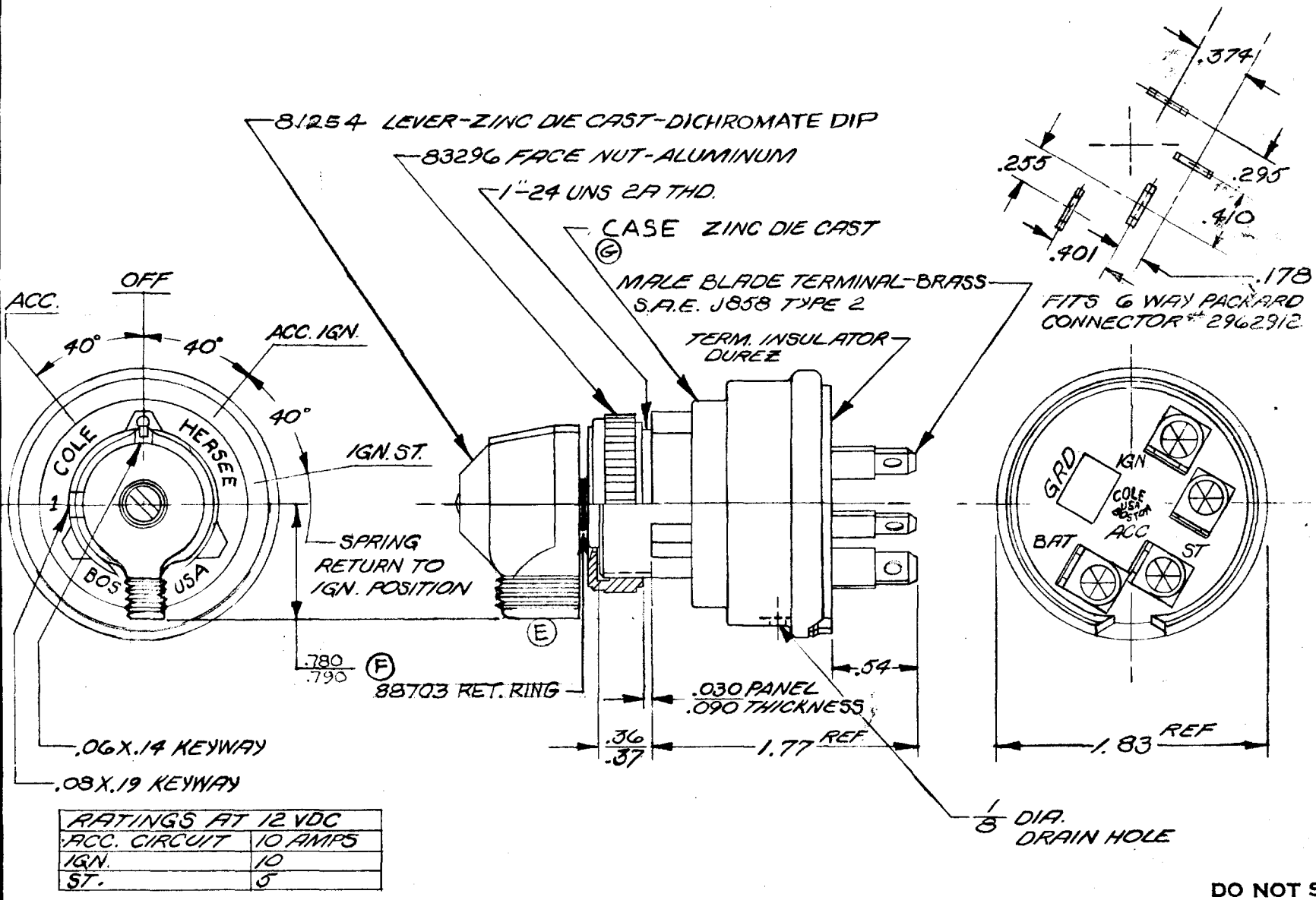
NOTE:
 1) SHAFT O-RING SEALED TO HOUSING
 2) TERMINAL INSULATOR (GASKET SEALED)
 3) ALL STEEL PARTS PLATED DO NOT SCALE

LET	WAS	DATE	BY	LET	WAS	DATE	BY	MATERIAL	DRAWN	CHECKED	APPR'D.	SCALE	DATE DRAWN
								#	CF	UM		1:1	9-20-66
				G	ECN 0137	3/1/60	AM	FINISH	COLE-HERSEE COMPANY BOSTON, MASS. 02127, U.S.A. 4 POSITION IGN. & START SWITCH				DATE BLUEPRINT
				F	ADD 125234	12/18/92	JH	#					DATE
				E	HOUSING	8-13-82	PH	TOLERANCES					
				D	REDRAWN	2-11-76	WJ	FRACTIONAL ±					956-4107
								DECIMAL ±.010					

COLE-HERSEE CO. TSE-#1034

APPLICABLE SAE STANDARD OR RECOMMENDED PRACTICE SAE J259

956-4111



RATINGS AT 12 VDC	
ACC. CIRCUIT	10 AMPS
IGN.	10
ST.	5

DO NOT SCALE

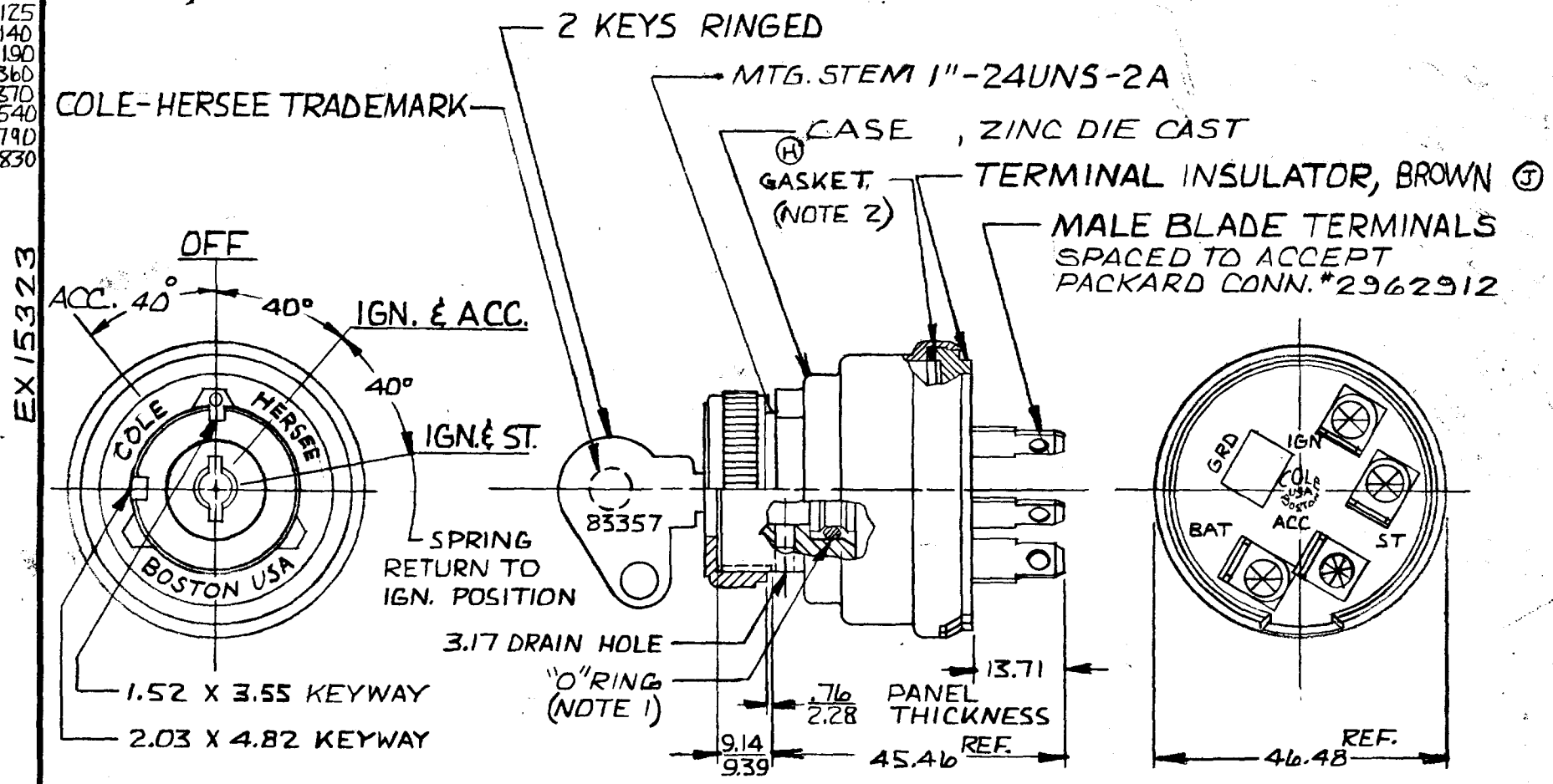
LET	WAS	DATE	BY	LET	WAS	DATE	BY	MATERIAL	DRAWN	CHECKED	APPRV'D.	SCALE	DATE DRAWN
				G	HOUSING	8-13-66	CR	---	N.B	UNV 2 MAX 73		FULL	1-18-68
				F	ADDED RING/20329	10-13-78	RR	FINISH	COLE-HERSEE COMPANY BOSTON, MASS. 02127, U.S.A.				DATE BLUEPRINT
				E	LEVER/10343	4-8-77	RE	---					
				D	SAE SPEC ADDED	3-5-74	W	TOLERANCES	4 POSITION IGN. & START SWITCH				956-4111
				C	NO CHANGE	3-21-75	JB	FRACTIONAL ± DECIMAL ±.010					

SPAULDING CO., INC. 47570

MM.	IN.
.25	.010
.76	.030
1.52	.060
2.03	.080
2.28	.090
3.17	.125
3.55	.140
4.82	.190
9.14	.360
9.39	.370
13.71	.540
45.46	1.790
46.48	1.830

956-4113

APPLICABLE SAE STANDARD OR
RECOMMENDED PRACTICE SAE J 259



RATING AT 12 VDC	
IGN	10 AMPS
START	5 AMPS
ACC	30 AMPS

METRIC

- NOTE:
1. SHAFT "O" RING SEALED TO HOUSING
 2. TERMINAL INSULATOR GASKET SEALED

DO NOT SCALE

LET.	WAS	DATE	BY	LET.	WAS	DATE	BY	MATERIAL	DRAWN	CHECKED	APPR'VD.	SCALE	DATE DRAWN
								H	CF	LP6		1:1	3-6-69
								FINISH					DATE BLUEPRINT
				J	ECN 25189	8-13-92	JH						
				H	HOLISING	8-13-88	PS	TOLERANCES					
				G	REDRAWN NO CHANGE	2-26-81	EA	DECIMAL ±					
								METRIC ±.25					
<p>Cole Hersee Co. 20 OLD COLONY AVENUE, SOUTH BOSTON, MA. U.S.A. 02117</p>													
<p>4 POSITION IGN. & START SWITCH</p>												956-4113	

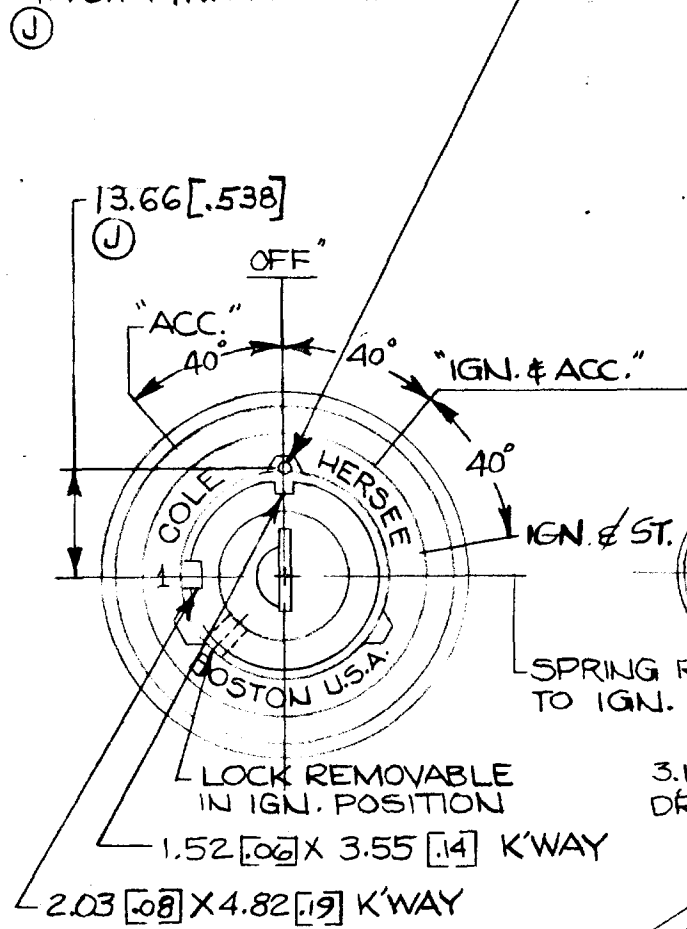
CH-188(4-78)

COLE-HERSEE CO. NPM 9-27-71
EX 16009 E

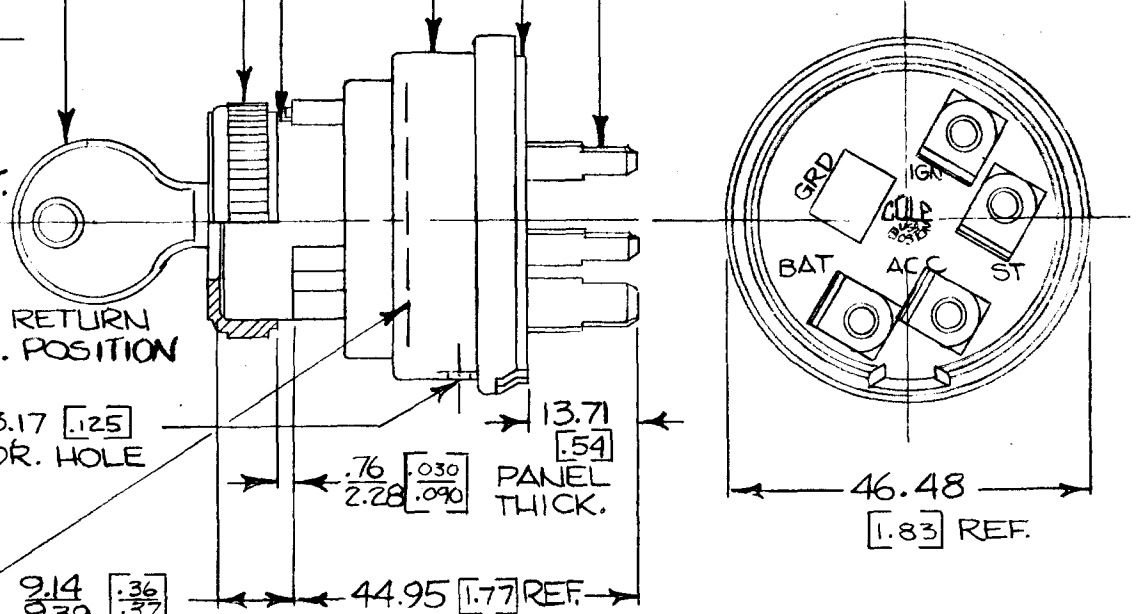
APPLICABLE SAE STANDARD OR RECOMMENDED PRACTICE SAE J259

956-4116

1.57 [.062] DIA. x 1.01 [.040] HIGH PIN.



TUMBLER #2 KEYS-RINGED
FACE NUT-ALUMINUM
1-24 UNF-2A THD.
CASE - ZINC DIE CAST
TERM. INSULATOR - BROWN
MALE BLADE TERMS-BRS. SAE J858 TYPE 2 SPACED TO ACCEPT PACKARD ELEC. CONN. NO. 962912



PERMANENTLY MARK SWITCH NO. & DATE CODE ON SIDE OF CASE

- 1) DIMENSIONS : MILLIMETERS [INCHES]
- 2) SILVER LAMINATED CONTACT SURFACES
- 3) SHUTTER TYPE SEAL ON LOCK FACE
- 4) SHOULDER TYPE RIVET CONSTRUCTION
- 5) TERM. INSUL. GASKET SEALED

DO NOT SCALE

LET	WAS	DATE	BY	LET	WAS	DATE	BY	MATERIAL	DRAWN	CHECKED	APPR'D.	SCALE	4100 W/SILVER CONTACTS & FIBERITE TERM. INSUL.	DATE DRAWN
								NOTED	RW	B		1:1		9-16-71
				K	ECN 25189	4/21/72	TSH	FINISH	COLE-HERSEE COMPANY BOSTON, MASS. 02127, U.S.A.					DATE BLUEPRINT
				J	REVISEL/2245	6/6/84	AK	11						
				H	HOUSING	8-13-88	PP	TOLERANCES	4 POSITION IGNITION & START SWITCH					956-4116
				G	REDRAWN	7-21-75	WJH	FRACTIONAL ± DECIMAL ±.010						

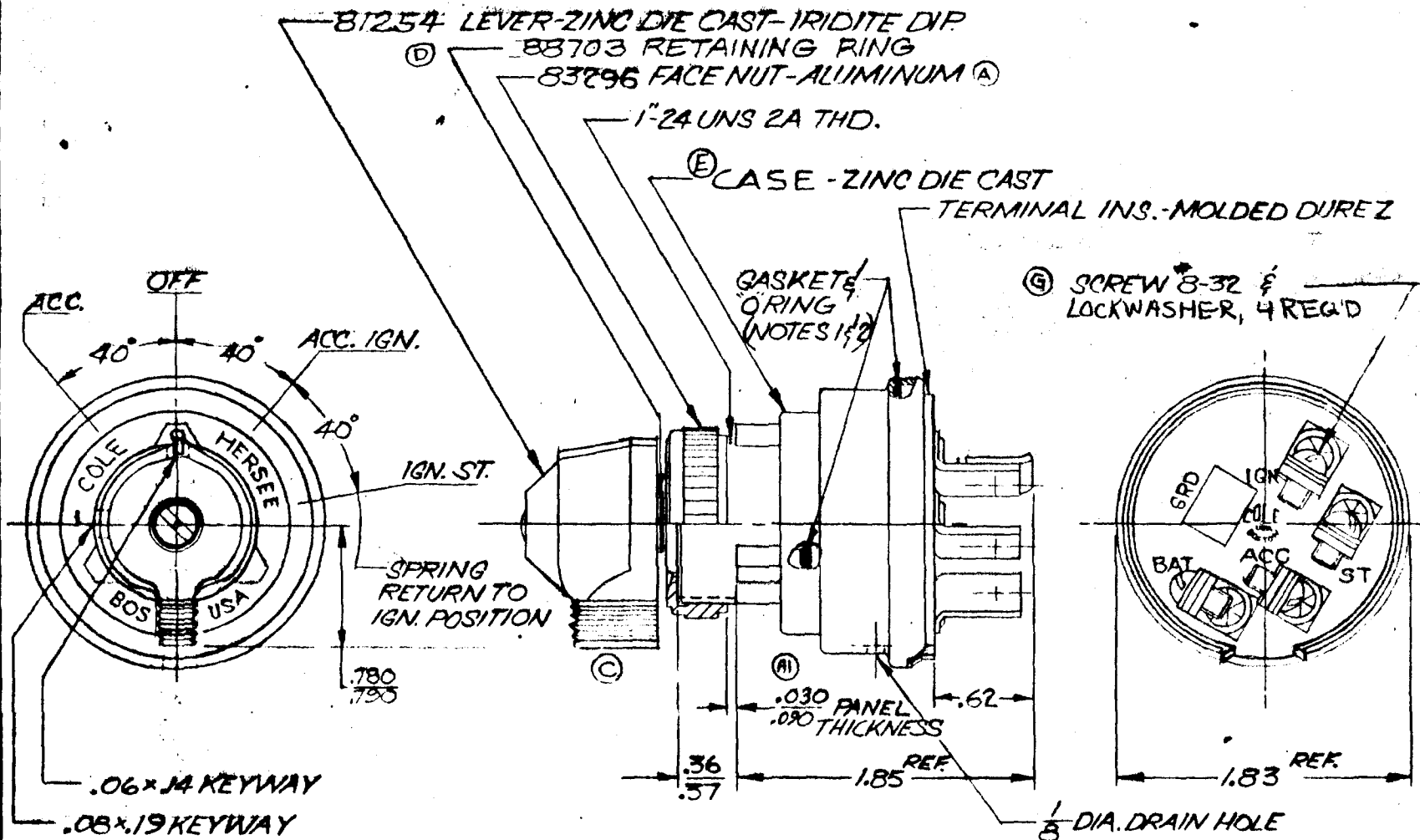
SPAULDING CO., INC. 21-55259

APPLICABLE SAE STANDARD OR RECOMMENDED PRACTICE SAEJ259

956-4124

NPM. 4-10-72

EX NONE



RATINGS AT 12V D.C.	
ACC. CIRCUIT	10 AMPS
IGN.	10
BT.	5

- NOTES:
1. SHAFT O-RING SEALED TO HOUSING.
 2. TERMINAL INSULATOR GASKET SEALED.
 3. ALL STEEL PARTS PLATED

DO NOT SCALE

LET	WAS	DATE	BY	LET	WAS	DATE	BY	MATERIAL	DRAWN	CHECKED	APPR'D	SCALE	Blk. 956 4111	DATE DRAWN
				C	81254 LEVER / 19843	4-6-72	RMT	—	CT	REC		FULL		1-12-72
G	ECN #00138	3/1/00	KE	B	SAE SPEC ADDED	3-5-74	3W	FINISH	COLE-HERSEE COMPANY BOSTON, MASS. 02127, U.S.A.					DATE BLUEPRINT
F	NOT ADDED / 25234	12/22/92	JH	A1	.060 / .110	17877	LY	—						4 POSITION IGN. & START SWITCH
E	HOUSING	8-6-86	P	A	83344	17877	B	TOLERANCES FRACTIONAL ±						
D	RING / 20329	10-18-78	R		ISSUE	(1-12-72)		DECIMAL ±0.010						

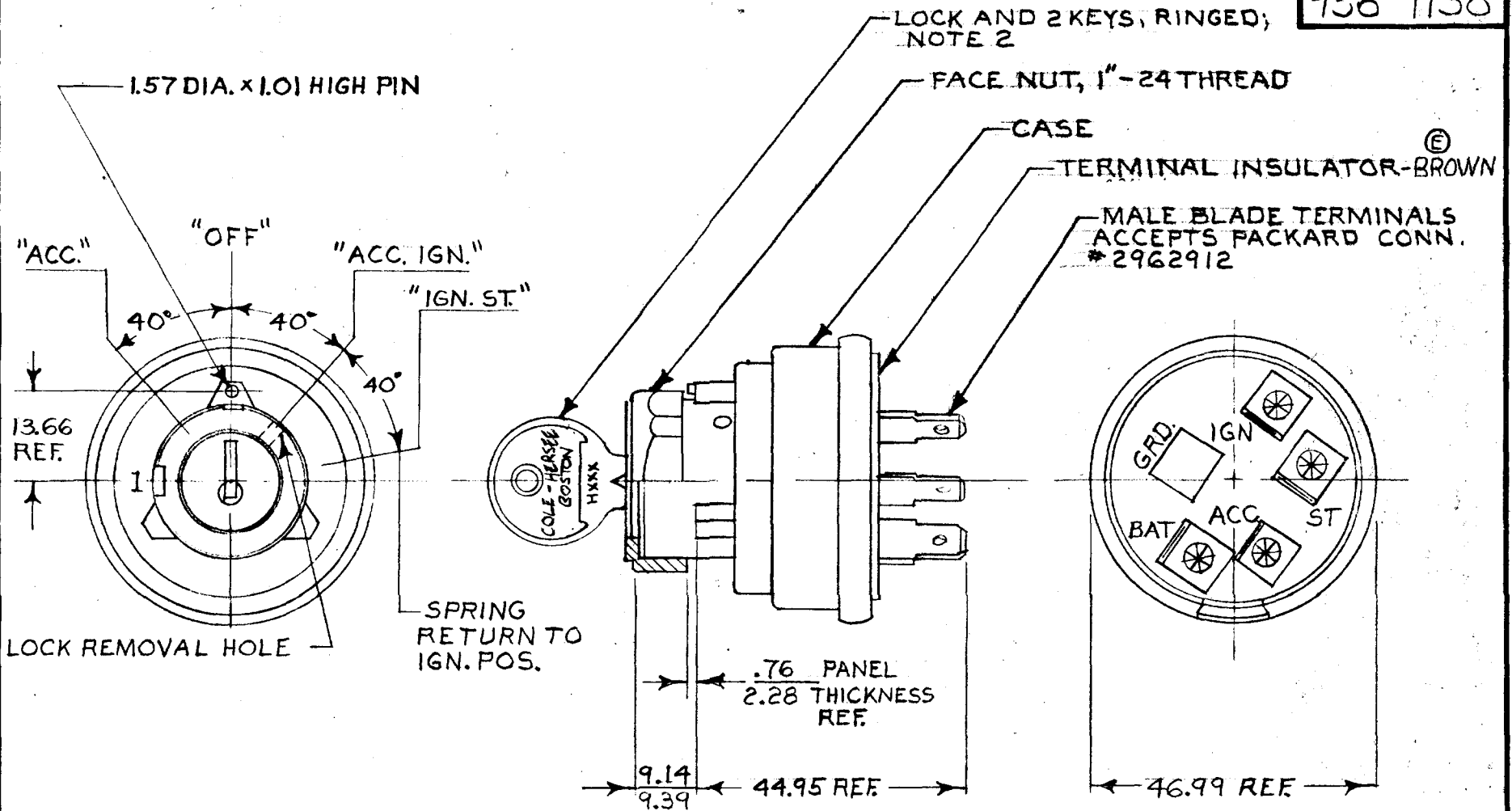
SPAULDING CO., INC.

COLE-HERSEE CO.

MM 1N
 .76 .03
 2.28 .09
 9.14 .36
 9.39 .37
 13.66 .538
 25.65 1.01
 39.88 1.57
 44.95 1.77
 46.99 1.85

956-4138

NPM 8-30-77



- NOTES:
1. SWITCH DESIGNED TO PERMIT REMOVAL OF TUMBLER LOCK IN ACC. POSITION
 2. SWITCH SUPPLIED WITH STRATTEC[®] TUMBLER LOCK NO. 85144.
 3. ALL STEEL PARTS PLATED

METRIC

DO NOT SCALE

LET.	WAS	DATE	BY	LET.	WAS	DATE	BY	MATERIAL	DRAWN	CHECKED	APPR'D.	SCALE	DATE DRAWN
								✓	KG	<i>[Signature]</i>		1:1	2-5-76
				G	ECN# 27087	10/21/97	AJS	FINISH					DATE BLUEPRINT
				F	ECN # 26335	10/17/96	Jmp	✓					
				E	ECN 25189	8-14-92	TJH	TOLERANCES	CH Cole Hersee Co. <small>26 OLD COLONY AVENUE, SOUTH BOSTON, MA, U.S.A. 02177</small> SWITCH IGNITION & START 4 POS.				956-4138
				L	REDRAWN	8-15-89	VK	DECIMAL ±					
								METRIC ±					

CH-188(4-78)

RATING AT 12 V.D.C.

ACC CIRCUIT	20 AMPS
IGN. CIRCUIT	20 AMPS
ST. CIRCUIT	20 AMPS

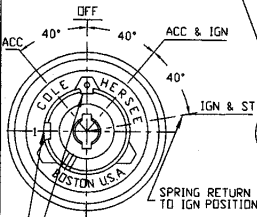
TERMINAL INSULATOR, BROWN

HENCOL KEY (2 KEYS RINGED)

FACE NUT, ALUMINUM

 1-24-UNS-2A THD
 CASE, ZINC DIE CAST
 GASKET,
 VELLUMOID
 (NOTE #2)

 O-RING
 (NOTE #1)

 SCREW #8-32 &
 LOCKWASHER, 4 REQ'D

 SPRING RETURN
 TO IGN POSITION

 PANEL 0.030
 THICKNESS 0.090

0.125 [3.17] DRAIN HOLE

0.060 [1.52] x 0.140 [3.55] KEYWAY

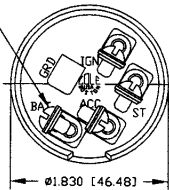
0.080 [2.03] x 0.190 [4.82] KEYWAY


 0.77
 2.29

 0.360 [9.14]
 0.370 [9.39]

1.870 [47.49]

0.620 [15.74]



NOTES:

1. SHAFT O RING SEALED TO HOUSING
2. TERMINAL INSULATOR GASKET SEALED
3. SILVER LAMINATED CONTACT SURFACE AT TERMINALS
4. SOLID SILVER RIVETS ON MOVING CONTACT
5. ALL STEEL PARTS PLATED
6. ALL DIMENSIONS REFERENCE ONLY UNLESS NOTED OTHERWISE

Revision Control Record

Rev.	Description of Change	ECN No.	Date
E	FIXED DIMENSION	01438	7/26/01

Tolerances: Unless otherwise specifically noted, the following are default tolerances:
 * 2-place Decimal Dimensiones - ".XZ"
 * 3-place Decimal Dimensiones - ".XXX"
 * Angular Dimensiones - ".1-1.5 Deg."
 * Metric: Refer to equivalent English Dimension Tolerance
 *** NOTE: All tolerances are *Non-Cumulative*. ***

Dimensional Units: All dimensiones are expressed in inches except those shown in brackets (mm) are expressed in millimeters

"NIP" or "at Armature": Non-Tolerance Reference Dimension, shown for distribution purposes only.

PROPRIETARY INFORMATION: This Engineering Drawing, and the information contained herein, is proprietary to Cole Hersee Company and may not be disclosed, reproduced, or in any other way transmitted or communicated to any other party without the express written consent of an authorized representative of Cole Hersee Company.

DESIGN CONTROL: It is the responsibility of the individual user/manufacturer of this drawing to ensure that the stated design revision level agrees with the revision level of the Controlled Document (Master Drawing). This is a **NON-CONTROLLED DOCUMENT** unless otherwise specifically noted.

DO NOT SCALE: Dimensional variation may occur during printing/ reproduction.

Key for Special Characteristics:

- ◆ Critical Characteristics, relating to Safety under Regulatory Compliance
- ⊠ Significant Characteristics relating to Process Control (SPC)
- ⊙ Control Dimension relating to Form - Fit - Function as defined by Cole Hersee Company and/or the Customer

Note that the identification of any characteristic as being "Special" does not alter the requirement that ALL specified dimensiones & tolerances must be met.


Cole Hersee Co.

 20 Old Colony Ave., South Boston, MA, 02127
 Phone: 617-288-2100 Web: www.colehersee.com

Description: 4 POSITION IGNITION & START SWITCH

Drawing / Part No.: 956-4141

Current Rev.: E

Used On or Ref.: TERM INSUL & SILVER CONTACTS **Scale:** 1:1

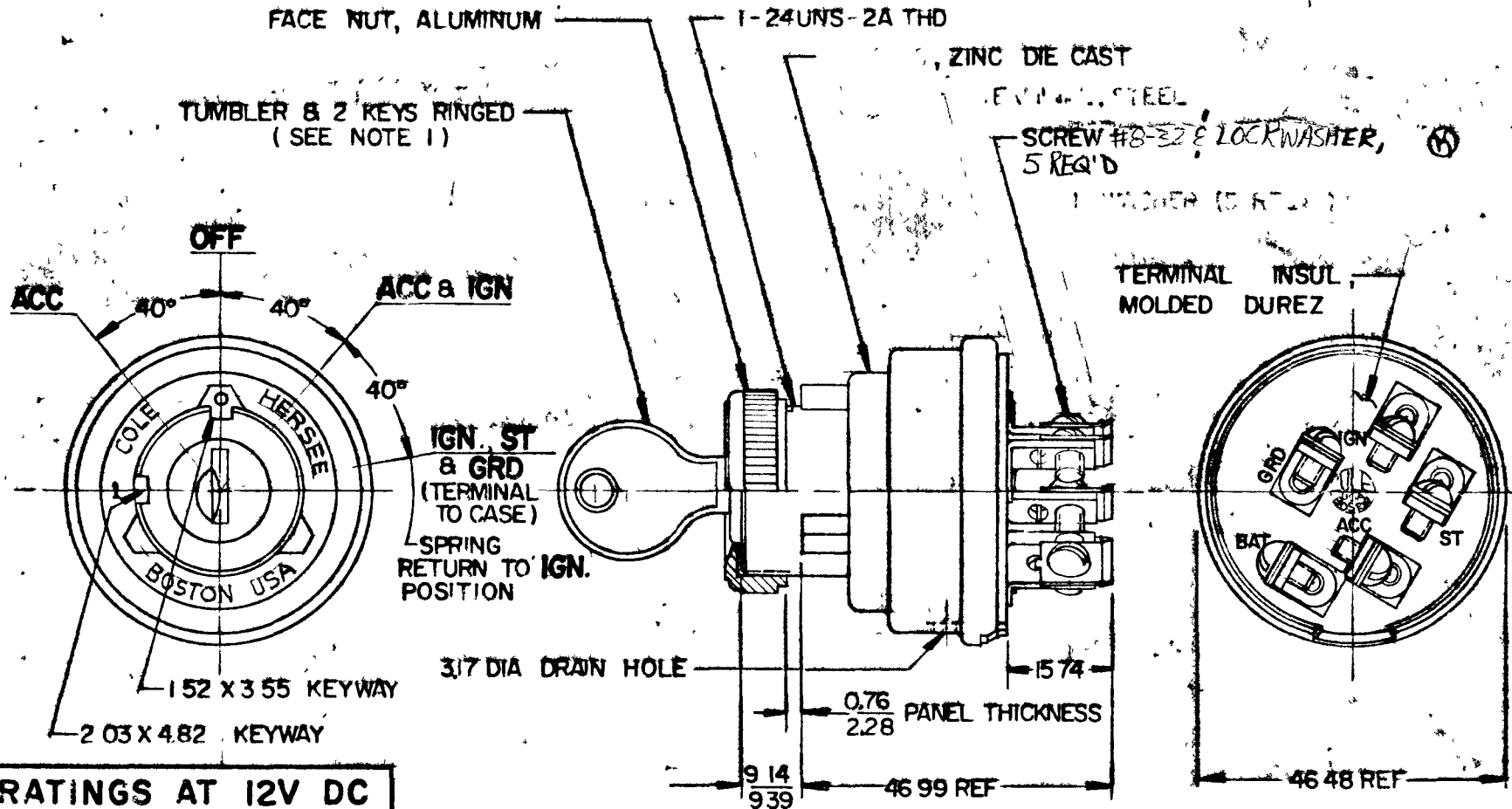
Drawn By: VK **Date:** 9/5/78

Responsible Engineer: N/A **Pg. 1 of 1**

MM	N
0.25	.00
0.76	.030
1.52	.060
2.03	.080
2.28	.090
3.17	.125
3.55	.140
4.82	.190
9.14	.360
9.99	.370
15.74	.620
46.48	1.830
46.99	1.850

APPLICABLE SAE STANDARD OR RECOMMENDED PRACTICE SAE J259

956-4154



RATINGS AT 12V DC

ACC CIRCUIT	10 AMPS
IGN CIRCUIT	10 AMPS
ST CIRCUIT	5 AMPS
GRD CIRCUIT	1 AMP

METRIC

NOTES:

- 1 SHUTTER TYPE SEAL ON LOCK FACE
- 2 ALL STEEL PARTS PLATED WITH ...

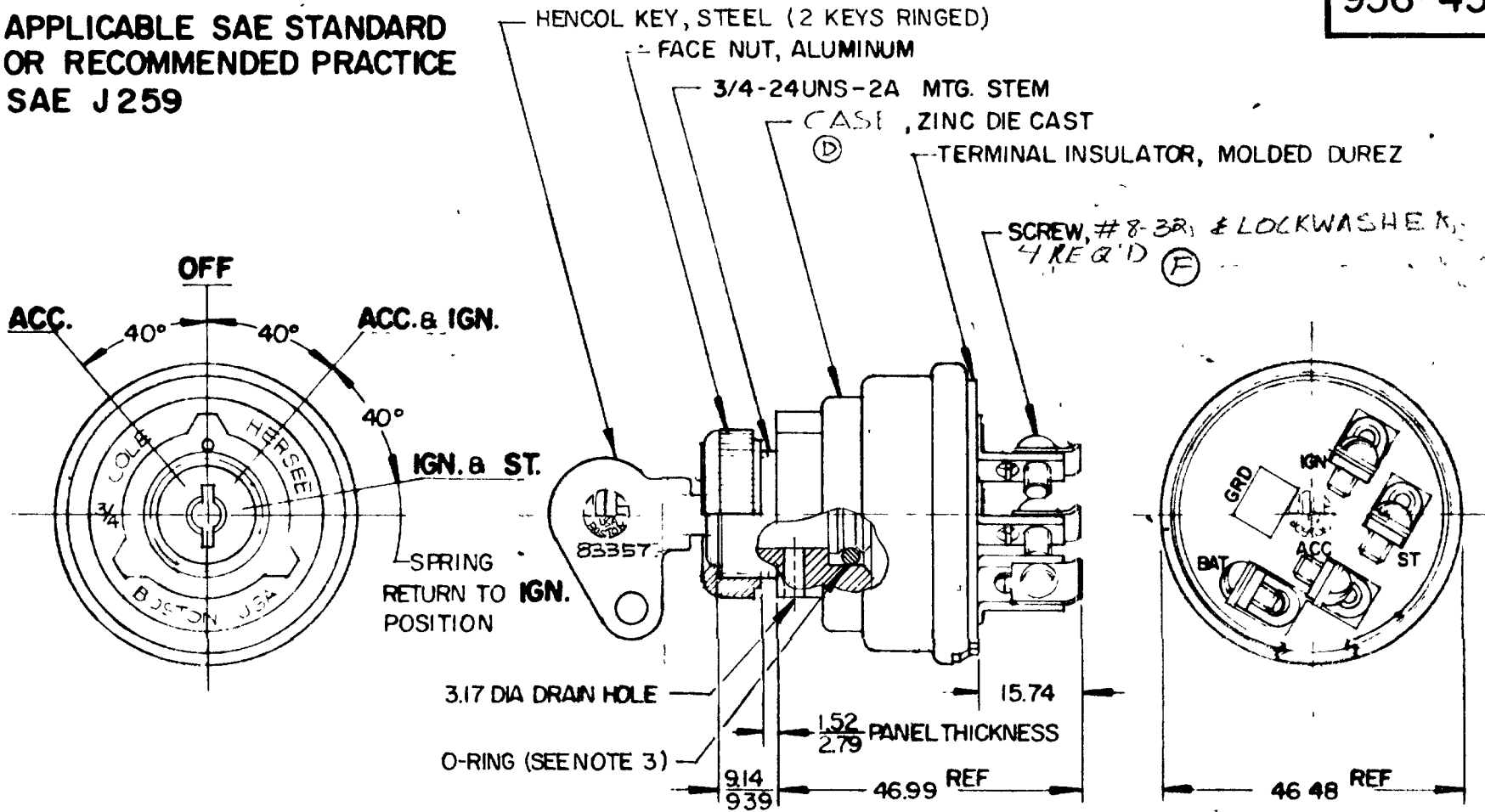
DO NOT SCALE

LET	WAS	DATE	BY	LET	WAS	DATE	BY	MATERIAL	DRAWN	CHECKED	APPR'D	SCALE	DATE DRAWN
								—H—	C F	4/13/78		FULL	2-23-67
								FINISH	COLE-HERSEE COMPANY				DATE BLUEPRINT
								—H—	BOSTON, MASS 02127, U.S.A.				
								TOLERANCES	4-POSITION				956-4154
								FRACTIONAL ±	IGNITION & START SWITCH				
								DECIMAL ±0.25					

MM	IN
0.25	.010
1.27	.050
2.79	.110
3.17	.125
9.14	.360
9.39	.370
15.74	.620
46.48	1.830
46.99	1.850

956-4307

APPLICABLE SAE STANDARD
OR RECOMMENDED PRACTICE
SAE J259



RATINGS AT 12 V.D.C.

ACC. CIRCUIT	10 AMPS
IGN. "	10 "
ST. "	5 "

METRIC

NOTES:

- 1 TERMINAL INSUL GASKET SEALED
- 2 ALL STEEL PARTS PLATED
- 3 SHAFT O-RING SEALED TO HOUSING.

DO NOT SCALE

LET	WAS	DATE	BY	LET	WAS	DATE	BY	MATERIAL	DRAWN	APPRVD	SCALE	DATE DRAWN
								#	CF		11	12-12-66
				F	ECN 00137	3/1/00	HA	FINISH				DATE BLUEPRINT
				I	CAD OR ZINC / 25234	12/18/92	111	#				
				D	HOUSING	8-16-82	PB	TOLERANCES				
				C	REDRAWN	5-21-79	JV	DECIMAL ± .010				
								METRIC ± .25				

CH Cole Hersee Co.
7700 AVENUE SIX - BOSTON, MASS. U.S.A. 02130

4- POSITION
IGNITION & START SWITCH

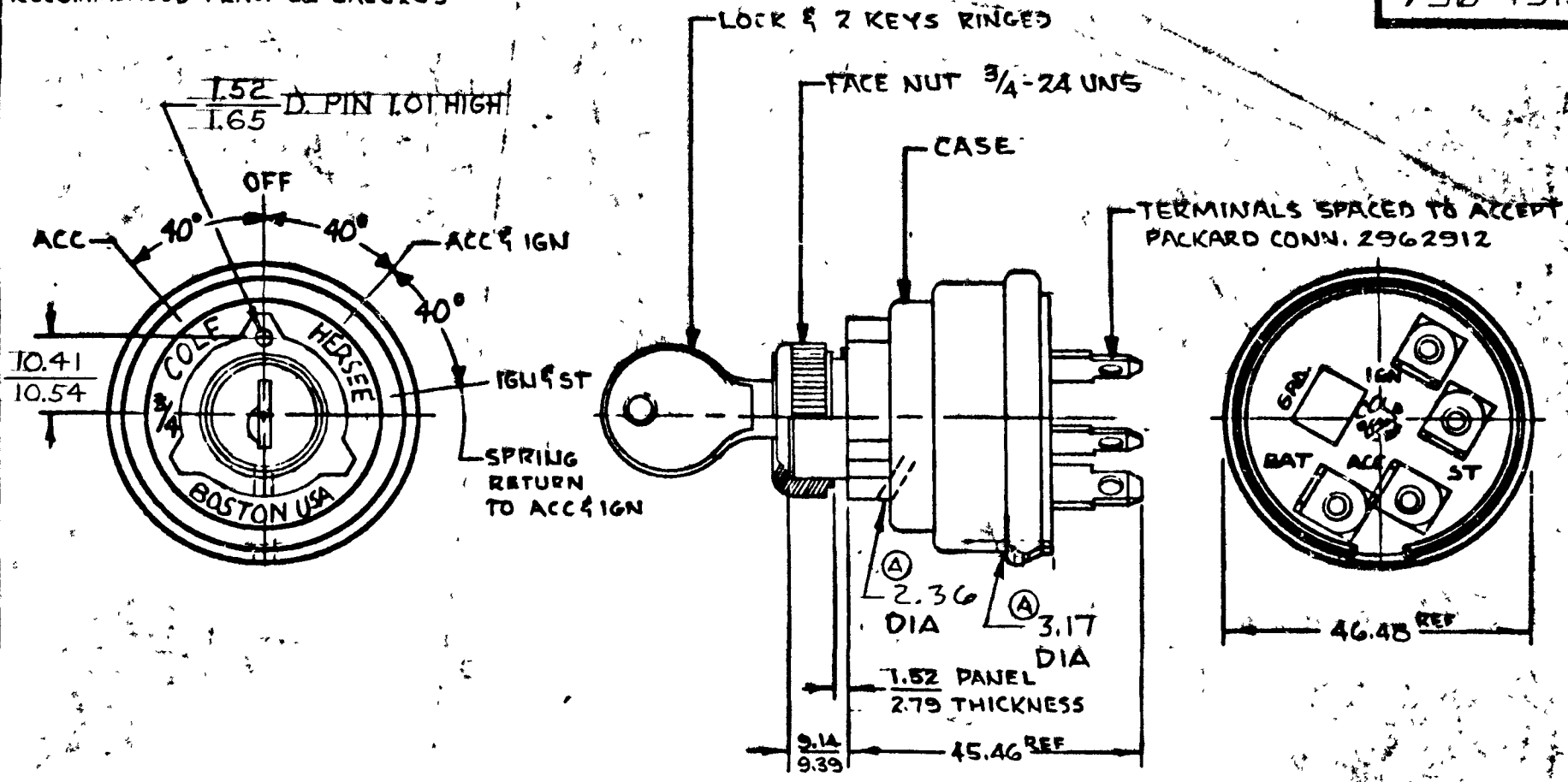
956-4307

CH 188(4 78)

MM	IN
1.01	.040
1.52	.060
1.65	.065
2.79	.110
3.14	.125
3.39	.133
3.70	.146
4.10	.161
4.15	.163
1.750	.069
1.830	.072
.093	
.125	

956-4311

APPLICABLE SAE STANDARD OR
RECOMMENDED PRACTICE SAE J269



EX 20121

- NOTES:
1. SHUTTER SEAL ON LOCK FACE
 2. LOCK O RING SEALED TO CASE
 3. TERM. INSULATOR GASKET SEALED
 - ④ 4. DRAIN HOLES ARE IN LINE 90° FROM & SHOWN

ST	5 AMPS
IGN	10 AMPS
ACC	10 AMPS

RATING @ 12V DC

METRIC

DO NOT SCALE

LET	WAS	DATE	BY	LET	WAS	DATE	BY	MATERIAL	DRAWN	CHECKED	APPROVD.	SCALE	DATE DRAWN
								#	RJF	RFB		1"=1"	6-17-83
								FINISH					DATE BLUEPRINT
									Cole Hersee Co. <small>AN ELECTRIC MOTOR, SWITCH AND ELECTRICAL SUPPLY COMPANY</small>				
				A		ADD'D DIM'S ECN 72701	7-2-83	ISSUED	4 POSITION IGNITION & START SWITCH			956-4311	
								TOLERANCES					
								DECIMAL ±.010					
								METRIC ±2.54					

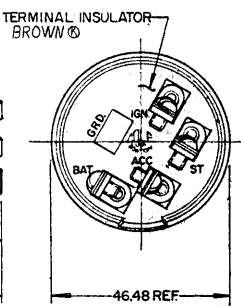
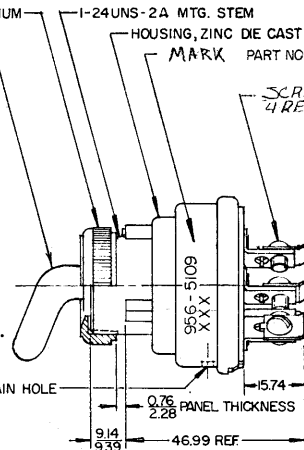
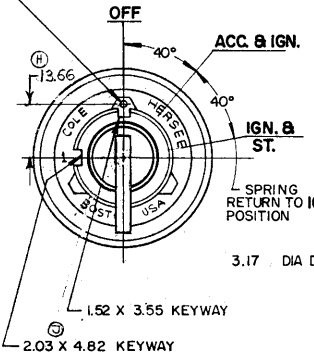
APPLICABLE SAE STANDARD OR RECOMMENDED PRACTICE SAE J259

956-5109

FACE NUT, ALUMINUM
 LEVER, ZINC DIE CAST, CHROME PLT.
 HOUSING, ZINC DIE CAST
 MARK PART NO. & DATE CODE AT RANDOM (N)

① 1.57 DIA. x 1.01 HIGH PIN

SCREW, # 8-32, & LOCKWASHER
 4 REQ'D (M)



- NOTE:
 1. TERMINAL INSULATOR GASKET SEALED
 2. SHOULDER TYPE RIVET CONSTRUCTION
 3. SILVER LAMINATED CONTACT SURFACES
 (L) 4. ALL STEEL PARTS PLATED

METRIC

Confidential Property of Cole Hersee

DO NOT SCALE

LET	WAS	DATE	BY	LET	WAS	DATE	BY	MATERIAL	DRAWN	CHECKED	APPR'D	SCALE	DATE DRAWN
				L	ZINC	25034	12/29/70	DJH	RW	1-30-79		1:1	9-16-71
				K	ECN	25189	8/13/92	SH	FINISH				
				J	DELTA NOTE	23263	9-30-86	ZU					DATE BLUEPRINT
N	ECN	200422	6/6/00	MK	H	REVISED	22457	6/6/04	1/4X				
M	ECN	00137	3/1/00	WH	G	REDRAWN		1-19-79					



3 - POSITION
 IGNITION & START SWITCH

956-5109

MM
 0.25
 0.75
 1.01
 1.52
 2.03
 2.28
 3.17
 3.55
 4.82
 9.14
 9.39
 46.48
 46.99
 13.66

IN
 0.010
 0.030
 0.040
 0.060
 0.080
 0.090
 0.125
 0.140
 0.180
 0.250
 0.370
 1.875
 1.850
 0.538

FORM 9-28-71
 -X-16003C

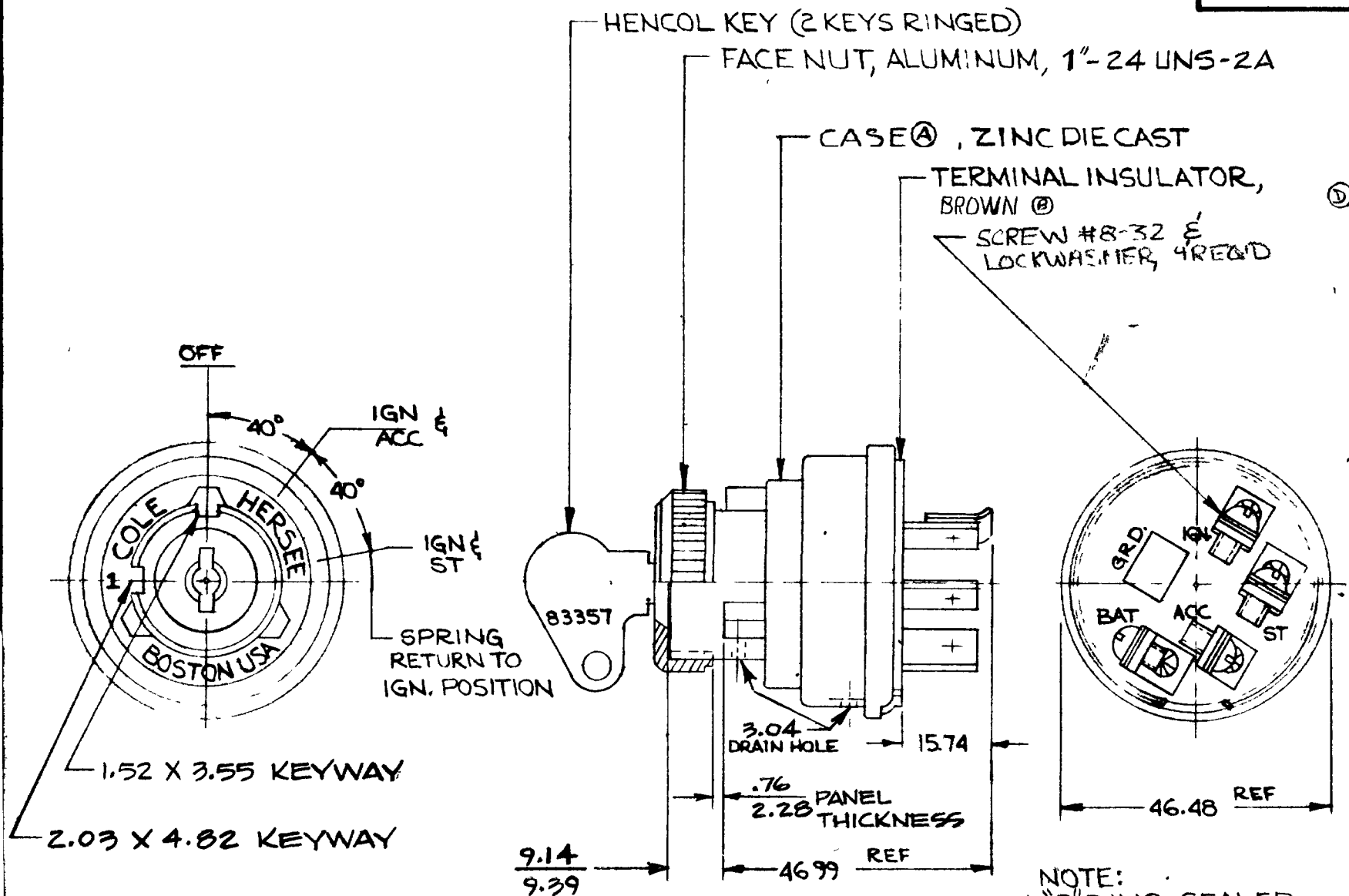
MIM	IN
0.2	0.008
0.4	0.016
0.8	0.032
1.6	0.064
3.2	0.128
6.4	0.256
12.8	0.512
25.6	1.024
51.2	2.048
102.4	4.096
204.8	8.192
409.6	16.384
819.2	32.768
1638.4	65.536
3276.8	131.072
6553.6	262.144
13107.2	524.288
26214.4	1048.576
52428.8	2097.152
104857.6	4194.304
209715.2	8388.608
419430.4	16777.216
838860.8	33554.432
1677721.6	67108.864
3355443.2	134217.728
6710886.4	268435.456
13421772.8	536870.912
26843545.6	1073741.824
53687091.2	2147483.648
107374182.4	4294967.296
214748364.8	8589934.592
429496729.6	17179869.184
858993459.2	34359738.368
1717986918.4	68719476.736
3435973836.8	137438953.472
6871947673.6	274877906.944
13743895347.2	549755813.888
27487790694.4	1099511627.776
54975581388.8	2199023255.552
109951162777.6	4398046511.104
219902325555.2	8796093022.208
439804651110.4	17592186044.416
879609302220.8	35184372088.832
1759218604441.6	70368744177.664
3518437208883.2	140737488355.328
7036874417766.4	281474976710.656
14073748835532.8	562949953421.312
28147497671065.6	1125899906842.624
56294995342131.2	2251799813685.248
112589990684262.4	4503599627370.496
225179981368524.8	9007199254740.992
450359962737049.6	18014398509481.984
900719925474099.2	36028797018963.968
1801439850948198.4	72057594037927.936
3602879701896396.8	144115188075855.872
7205759403792793.6	288230376151711.744
1441151880758558.72	576460752303423.488
2882303761517117.44	1152921504606846.976
5764607523034234.88	2305843009213693.952
1152921504606846.976	4611686018427387.904
2305843009213693.952	9223372036854775.808
4611686018427387.904	18446744073709551.616
9223372036854775.808	36893488147419103.232
18446744073709551.616	73786976294838206.464
36893488147419103.232	147573952589676412.928
73786976294838206.464	295147905179352825.856
147573952589676412.928	590295810358705651.712
290295810358705651.712	1180591620717411303.424
590295810358705651.712	2361183241434822606.848
1180591620717411303.424	4722366482869645213.696
2361183241434822606.848	9444732965739290427.392
4722366482869645213.696	18889465931478580854.784
9444732965739290427.392	37778931862957161709.568
18889465931478580854.784	75557863725914323419.136
37778931862957161709.568	151115727451828646838.272
75557863725914323419.136	302231454903657293676.544
151115727451828646838.272	604462909807314587353.088
302231454903657293676.544	1208925819614629174706.176
604462909807314587353.088	2417851639229258349412.352
1208925819614629174706.176	4835703278458516698824.704
2417851639229258349412.352	9671406556917033397649.408
4835703278458516698824.704	19342813113834066795298.816
9671406556917033397649.408	38685626227668133590597.632
19342813113834066795298.816	77371252455336267181195.264
38685626227668133590597.632	154742504910672534362390.528
77371252455336267181195.264	309485009821345068724781.056
154742504910672534362390.528	618970019642690137449562.112
309485009821345068724781.056	1237940039285380274899124.224
618970019642690137449562.112	2475880078570760549798248.448
1237940039285380274899124.224	4951760157141521099596496.896
2475880078570760549798248.448	9903520314283042199192993.792
4951760157141521099596496.896	19807040628566084398385987.584
9903520314283042199192993.792	39614081257132168796771975.168
19807040628566084398385987.584	79228162514264337593543950.336
39614081257132168796771975.168	158456325028528675187087900.672
79228162514264337593543950.336	316912650057057350374175801.344
158456325028528675187087900.672	633825300114114700748351602.688
316912650057057350374175801.344	1267650600228229401496703205.376
633825300114114700748351602.688	2535301200456458802993406410.752
1267650600228229401496703205.376	5070602400912917605986812821.504
2535301200456458802993406410.752	10141204801825835211973625643.008
5070602400912917605986812821.504	20282409603651670423947251286.016
10141204801825835211973625643.008	40564819207303340847894502572.032
20282409603651670423947251286.016	81129638414606681695789005144.064
40564819207303340847894502572.032	162259276832213363391578010288.128
81129638414606681695789005144.064	324518553664426726783156020576.256
162259276832213363391578010288.128	649037107328853453566312041152.512
324518553664426726783156020576.256	1298074214657707107132624022305.024
649037107328853453566312041152.512	2596148429315414214265248044610.048
1298074214657707107132624022305.024	5192296858630828428530496089220.096
2596148429315414214265248044610.048	10384593717261656857060992178440.192
5192296858630828428530496089220.096	20769187434523313714121984356880.384
10384593717261656857060992178440.192	41538374869046627428243968713760.768
20769187434523313714121984356880.384	83076749738093254856487937427521.536
41538374869046627428243968713760.768	16615349947618650971297587485504.072
83076749738093254856487937427521.536	33230699895237301942595174971008.144
16615349947618650971297587485504.072	66461399790474603885190349942016.288
33230699895237301942595174971008.144	132922799580949207770380699844032.576
66461399790474603885190349942016.288	265845599161898415540761399688064.112
132922799580949207770380699844032.576	531691198323796831081522799376128.224
265845599161898415540761399688064.112	1063382396647593662163045598752256.448
531691198323796831081522799376128.224	2126764793295187324326091197504512.896
1063382396647593662163045598752256.448	4253529586590374648652182395009025.792
2126764793295187324326091197504512.896	8507059173180749297304364790018051.584
4253529586590374648652182395009025.792	17014118346361498594608729580036003.168
8507059173180749297304364790018051.584	34028236692722997189217459160072006.336
17014118346361498594608729580036003.168	68056473385445994378434918320144012.672
34028236692722997189217459160072006.336	136112946770891988756869836640288025.344
68056473385445994378434918320144012.672	272225893541783977513739673280576050.688
136112946770891988756869836640288025.344	544451787083567955027479346561152101.376
272225893541783977513739673280576050.688	1088903574167135910054948731122304202.752
544451787083567955027479346561152101.376	2177807148334271820109897462244608405.504
1088903574167135910054948731122304202.752	4355614296668543640219794924489216811.008
2177807148334271820109897462244608405.504	8711228593337087280439589848978432622.016
4355614296668543640219794924489216811.008	17422457186674174560879179697956652444.032
8711228593337087280439589848978432622.016	34844914373348349121758359395913304888.064
17422457186674174560879179697956652444.032	69689828746696698243516718791826609776.128
34844914373348349121758359395913304888.064	139379657493393396487033435823532219552.256
69689828746696698243516718791826609776.128	278759314986786792974066871647064439104.512
139379657493393396487033435823532219552.256	557518629973573585948133743294128878208.024
278759314986786792974066871647064439104.512	111503725994714717189626748658825755641.048
557518629973573585948133743294128878208.024	223007451989429434379253497317651511281.096
111503725994714717189626748658825755641.048	446014903978858868758506994635303022561.192
223007451989429434379253497317651511281.096	892029807957717737517013893270606045121.384
446014903978858868758506994635303022561.192	178405961591543547503402788654121208222.768
892029807957717737517013893270606045121.384	356811923183087095006805577308242414444.536
178405961591543547503402788654121208222.768	71362384636617419001361115461644482888.072
356811923183087095006805577308242414444.536	142724769273234838002722229123289757776.144
71362384636617419001361115461644482888.072	285449538546469676005444458246579515552.288
142724769273234838002722229123289757776.144	570899077092939352010888916493159031104.576
285449538546469676005444458246579515552.288	1141798154185878704021777832986380062208.112
570899077092939352010888916493159031104.576	2283596308371757408043555665972760124416.224
1141798154185878704021777832986380062208.112	456719261674351481608711133194552024883.448
2283596308371757408043555665972760124416.224	913438523348702963217422266389104049766.896
456719261674351481608711133194552024883.448	1826877046697405926434844532778208099533.792
913438523348702963217422266389104049766.896	365375409339481185286968906555641619067.584
1826877046697405926434844532778208099533.792	7307508186789623705739378131112832233813.168
365375409339481185286968906555641619067.584	1461501637357924741147875626222566466762.336
7307508186789623705739378131112832233813.168	2923003274715849482295751252445133333424.672
1461501637357924741147875626222566466762.336	5846006549431698964591502504890266666848.112
2923003274715849482295751252445133333424.672	11692013098863397929183005009780533333696.224
5846006549431698964591502504890266666848.112	2338402619772679585836601001956106667392.448
11692013098863397929183005009780533333696.224	4676805239545359171673202003912213334784.896
2338402619772679585836601001956106667392.448	9353610479090718343346404007824426669569.792
4676805239545359171673202003912213334784.896	18707220958181436686692808015648853339139.584
9353610479090718343346404007824426669569.792	37414441916362873373385616031297706678279.168
18707220958181436686692808015648853339139.584	74828883832725746746771232062595413356558.336
37414441916362873373385616031297706678279.168	149657767665451493493544464125908826713116.672
74828883832725746746771232062595413356558.336	29931553533090298698708892825181764342623.344
149657767665451493493544464125908826713116.672	59863107066180597397417785650363288684446.688
29931553533090298698708892825181764342623.344	11972621413236119479483557130076577368889.376
59863107066180597397417785650363288684446.688	23945242826472238958967114260153155377778.752
11972621413236119479483557130076577368889.376	47890485652944477917934228520306271155557.504
2394524282647223895896711426015315537778.752	95780971305888955835868457040612542311115.008
47890485652944477917934228520306271155557.504	19156194261177791167173714008122084622223.016
95780971305888955835868457040612542311115.008	3831238852235558233434642801624416844444.032
19156194261177791167173714008122084622223.016	7662477704471116466869285603248833688888.064

MM	IN.
.25	.010
.70	.030
1.15	.060
2.03	.080
2.28	.090
3.04	.120
3.55	.140
4.82	.190
9.14	.360
9.39	.370
15.74	.620
46.48	1.820
46.99	1.850

APPLICABLE SAE STANDARD OR RECOMMENDED PRACTICE SAE J259

956-5124

COLE-HERSEE CO.
N.P.M.



METRIC

NOTE:
1. O RING SEALED.

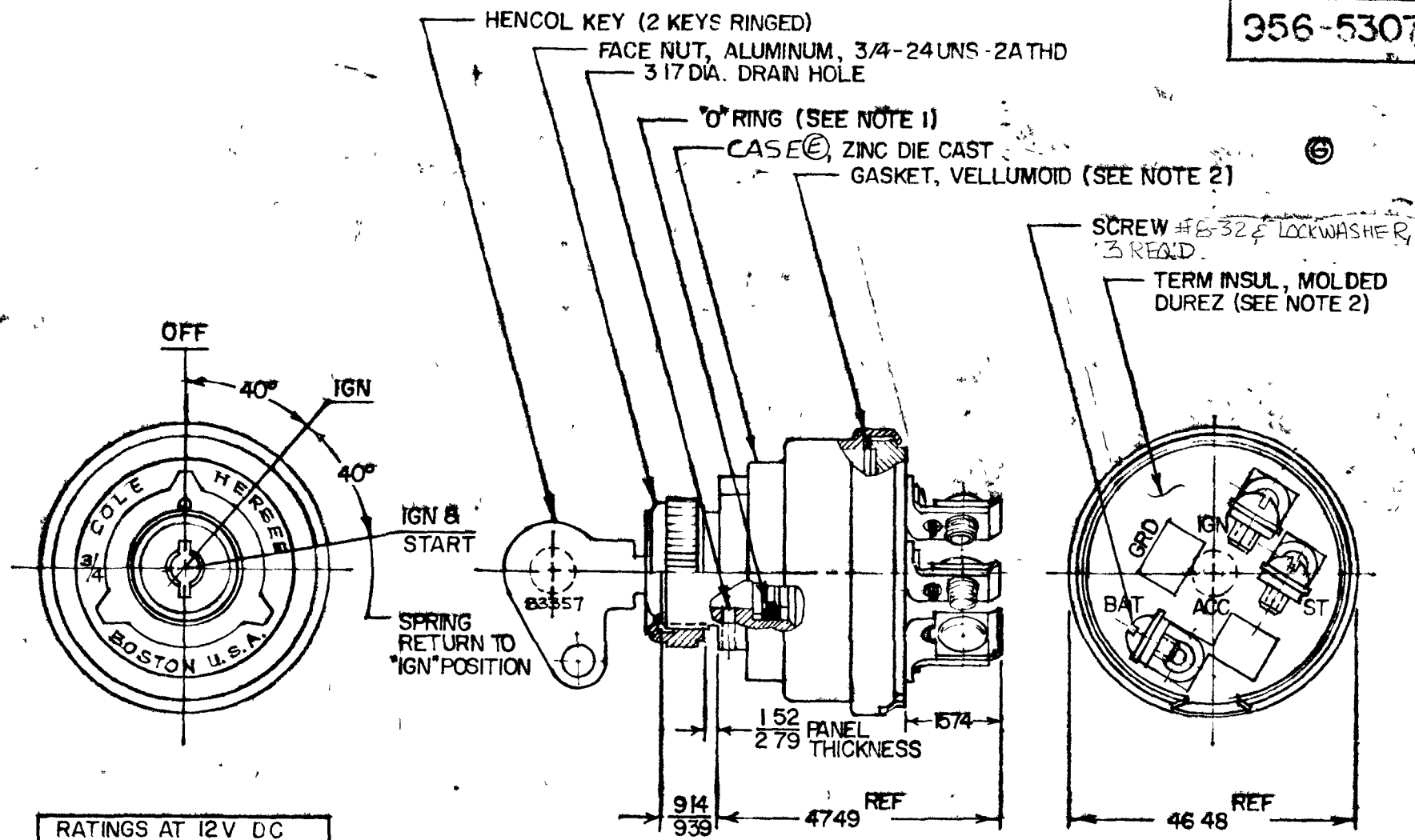
2. ALL STEEL PARTS PLATED DO NOT SCALE

LET	WAS	DATE	BY	LET	WAS	DATE	BY	MATERIAL	DRAWN	CHECKED	APPR'D	SCALE	BASIC 956-5115 EXCEPT O RING SEALED	DATE DRAWN
				D	ECN#00138	3/11/75	KF	—	KG	11-5-75		FULL		11-4-75
				C	HOLE ADDED / 050239	12/23/82	LH	FINISH						
				B	ECN 25189	8-19-92	JH	—						
				A	HOUSING	8-17-82	PS	TOLERANCES						
					ISSUED	3-3-77	PS	FRACTIONAL ±						
								DECIMAL ±.25						
COLE-HERSEE COMPANY BOSTON, MASS. 02127, U.S.A.													DATE BLUEPRINT	
IGN. START SWITCH													956-5124	

MM	IN
1.52	.010
2.79	.110
3.18	.125
3.30	.125
3.39	.130
3.74	.140
4.48	.170
5.49	.210
6.35	.250
7.14	.280
8.27	.325
9.14	.350
10.16	.390
11.18	.430
12.19	.470
13.17	.510

TSE 1034

356-5307



RATINGS AT 12V DC	
IGN CIRCUIT	10 AMPS
START	5

- NOTE
1. SHAFT O RING SEALED TO CASE
 2. TERM INSUL GASKET SEALED
 3. ALL STEEL PARTS PLATED 11T W/DIC-IRON, FL DIP OR CAL 17
 4. APPLICABLE SAE STANDARD OR RECOMMENDED PRACTICE SAE J259

METRIC

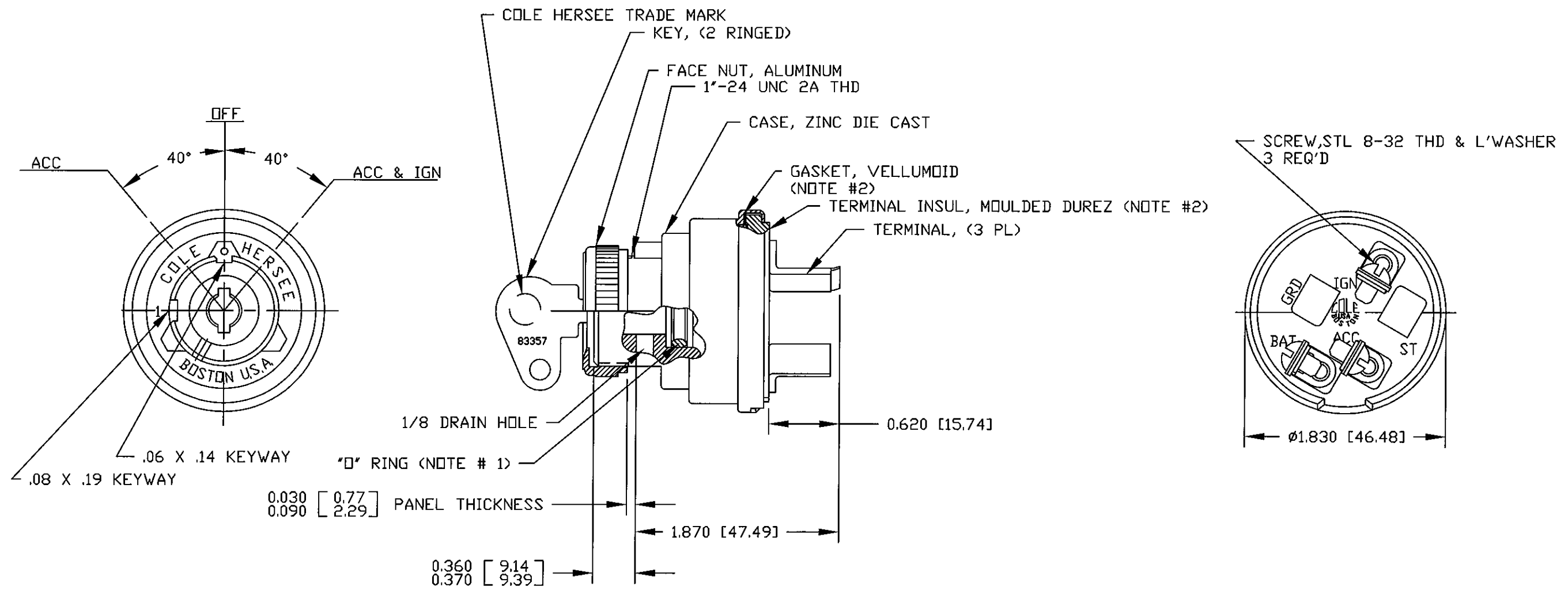
DO NOT SCALE

LET	WAS	DATE	BY	LET	WAS	DATE	BY	MATERIAL	DRAWN	CHECKED	APPRV D	SCALE	DATE DRAWN
								—	CF	11-20-78		1:1	1-10-66
				G	LCN # 60139	3/1/00	KF	FINISH	 WOLD COLONY AVENUE SOUTH BOSTON MA U.S.A. 02127				DATE BLUEPRINT
				F	CADU 725239	12/18/92	1,4	—					
				E	HOUSING	8-17-82	1,3	TOLERANCES	3 POS IGNITION & START SW 956-5307				956-5307
				D	REDRAWN	11-8-78	R	FRACTIONAL ±					
								DECIMAL ± .25					

CH-188 (4-78)

Revision Control Record

Rev.	Description of Change	ECN No.	Date
J	PUT ON CAD	08552	10/09/08



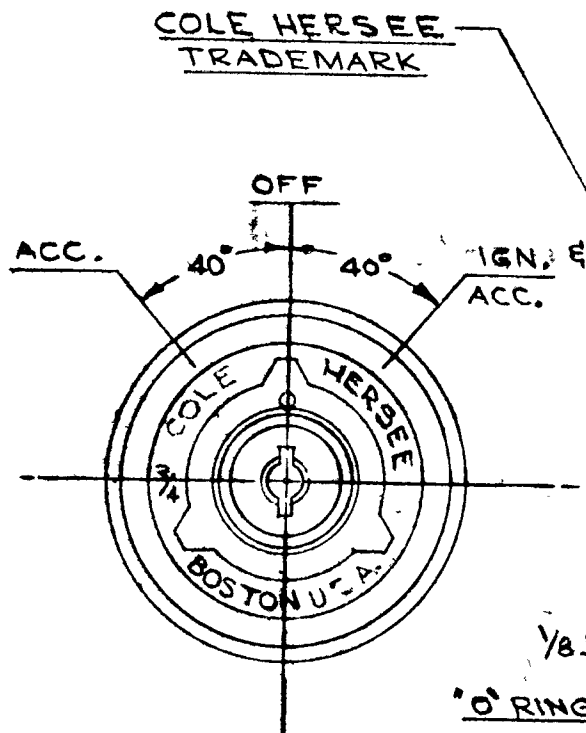
- NOTE:**
1. SHAFT "O" RING SEALED TO CASE
 2. TERMINAL INSULATOR GASKET SEALED
 3. ALL STEEL PARTS PLATED
 4. ALL DIMENSION REFERENCE
 5. APPLICABLE SAE STANDARD OR RECOMMENDED PRACTICE SAE J259

RATINGS @ 12V DC	
ACC. CIRCUIT	10 AMPS
IGN.	10 AMPS

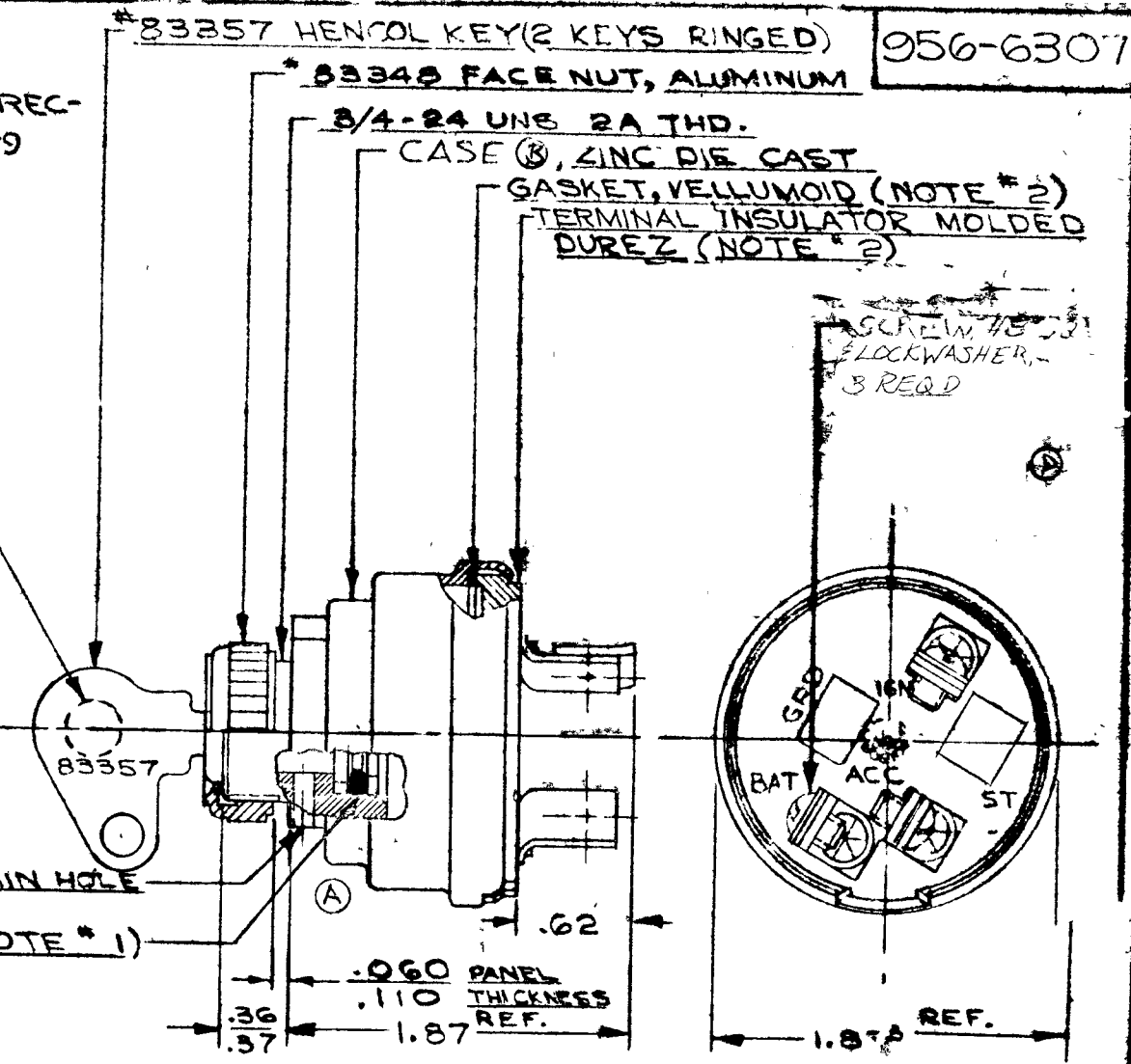
<p>Tolerances Unless otherwise specifically noted, the following are default tolerances;</p> <ul style="list-style-type: none"> • 2-place Decimal Dimensions +/- .02" • 3-place Decimal Dimensions +/- .005" • Angular Dimensions +/- 1.0 Deg. • Metric: Refer to equivalent English Dimension Tolerance <p>>>> NOTE: All tolerances are Non-Cumulative. <<<</p> <p>Dimensional Units All dimensions are expressed in inches except those shown in brackets (xxx) are expressed in millimeters</p> <p>"REF." or an Asterisk (*) = Non-Toleranced Reference Dimension, shown for clarification purposes only.</p>	<p>PROPRIETARY INFORMATION This Engineering Drawing, and the information contained herein, is proprietary to Cole Hersee Company and may not be disclosed, re-produced, or in any other way transferred or communicated to any other party without the express written consent of an authorized representative of Cole Hersee Company.</p> <p>DESIGN CONTROL It is the responsibility of the individual using / referencing this drawing to assure that the noted design revision level agrees with the revision level of the Controlled Document (Master Drawing). This is a NON-CONTROLLED DOCUMENT unless otherwise specifically noted.</p> <p>DO NOT SCALE - Dimensional variation may occur during printing / reproduction.</p>	<p>Special Characteristics:</p> <ul style="list-style-type: none"> CC Critical Characteristic, relating to Safety and/or Regulatory Compliance X Significant Characteristic relating to Process Control (SPC) KC Control Dimension relating to Form - Fit - Function as defined by Cole Hersee Company and/or the Customer <p>(Note that the identification of any Characteristics as being "Special" does not alter the requirement that ALL specified dimensions & tolerances must be met.)</p>	<p>Cole Hersee Co. 20 Old Colony Ave., South Boston, MA, 02127 Phn: 617-268-2100 Web: www.colehersee.com</p> <p>Description: ACC-IGNITION SW</p>
<p>Used On or Ref.:</p>	<p>Scale: 1:1</p>	<p>Drawn By: CF</p>	<p>Date Drawn: 10/06/66</p>
<p>Responsible Engineer:</p>		<p>Pg. 1 of 1</p>	
<p>Part No.: 956-6107</p>		<p>J</p>	

COLE-HERSEE CO.

APPLICABLE SAE STANDARD OR RECOMMENDED PRACTICE SAE J259



RATINGS AT 12 V D.C.	
ACC. CIRCUIT	10 AMPS
IGN.	10



- NOTE:
1. SHAFT "O" RING SEALED TO CASE
 2. TERMINAL INSULATOR GASKET SEALED
- © 3 ALL STEEL PARTS PLATED

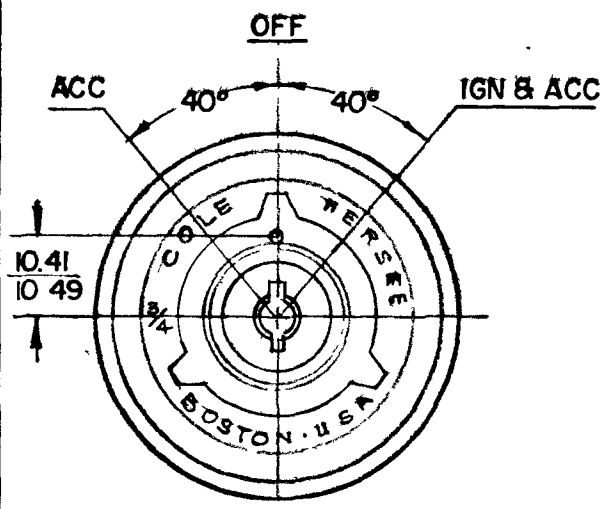
REV	WAS	DATE	BY	REV	WAS	DATE	BY	MATERIAL	DRAWN	CHECKED	APPROV'D	SCALE	USED ON	DATE DRAWD
				F	FCM COPY	3/2/88	MA		CF	UM		FULL		1-31-67
				C	NOTE 3 ADDED	12/18/92	JH							
				B	HOUSING	8-17-82	RS							
				A	STL SPEC ADDED	3-4-74	W							
					ISSUED	3-9-67	HF							
COLE-HERSEE COMPANY BOSTON 27, MASS., U.S.A.														DATE DRAWD
ACC-IGNITION SWITCH														PART NO 956-6307

COLE-HERSEE CO.
 NPM 6-6-79
 EX-18452

MM	IN
.25	.010
1.52	.060
2.79	.110
9.14	.360
9.39	.370
15.74	.620
46.48	1.830
47.49	1.870
3.17	.125
1.01	.040
1.65	.065
10.41	.410
16.49	.413

SEQ	DEPT.	OPERATING INSTRUCTIONS	DIE	MACH

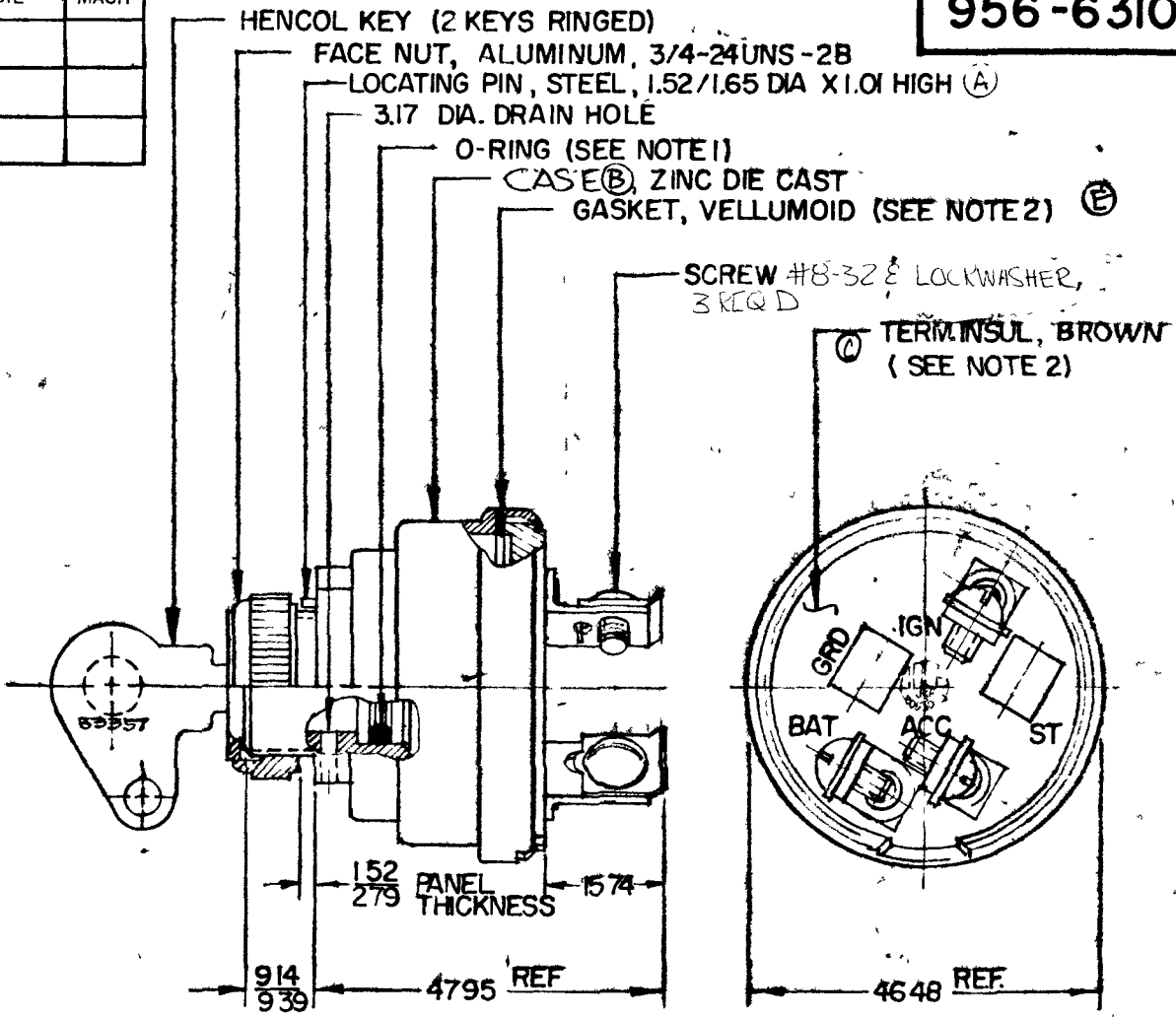
956-6310



RATINGS AT 12V DC	
ACC. CIRCUIT	30 AMPS
IGN.	10

APPLICABLE SAE STANDARDS OR RECOMMENDED PRACTICE SAE J259

METRIC

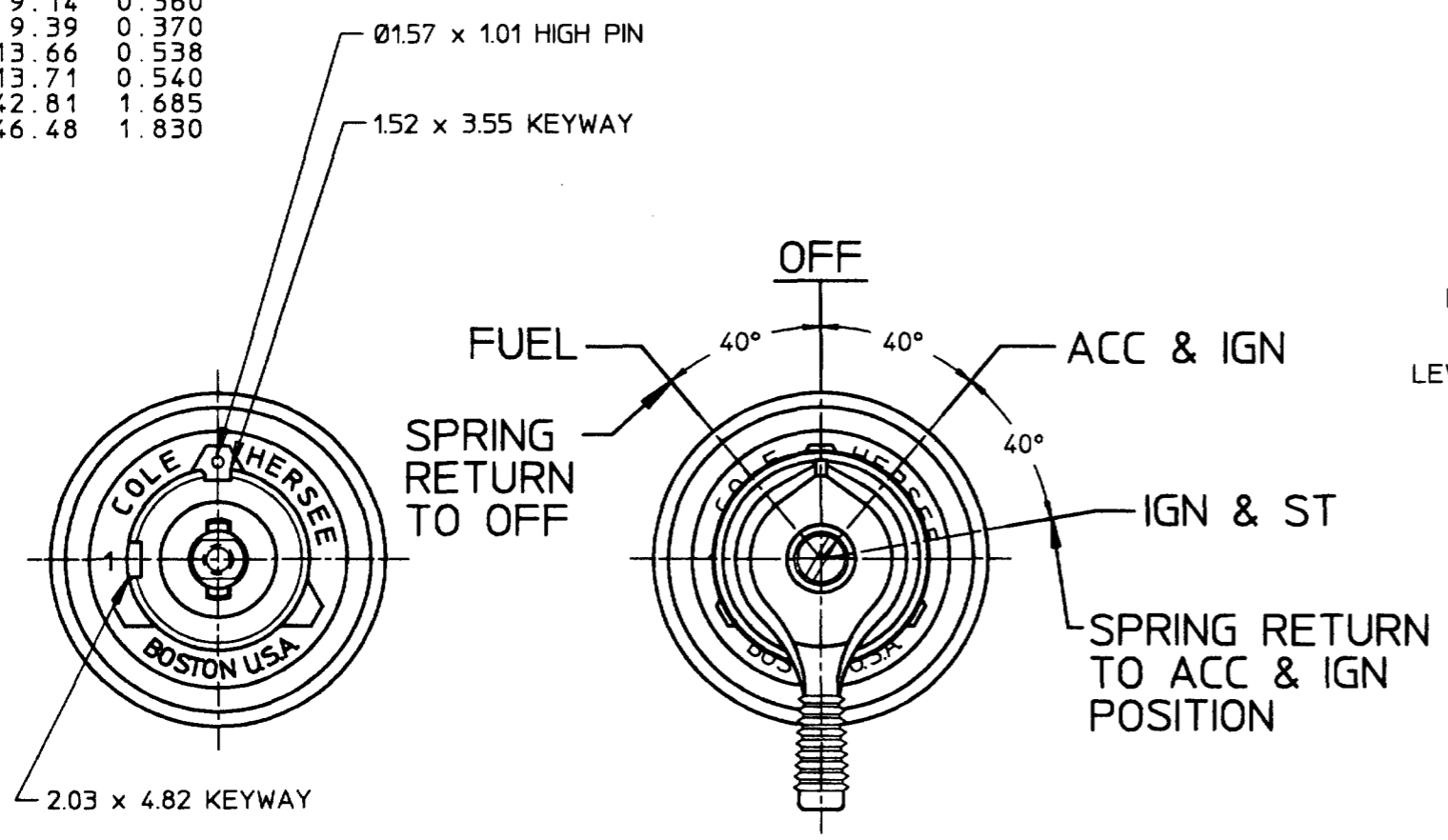


- NOTE:**
1. SHAFT O-RING SEALED TO CASE
 2. TERM INSUL GASKET SEALED
 3. COPPER RIVETS ON MOVABLE CONTACT
 4. ALL STEEL PARTS PLATED

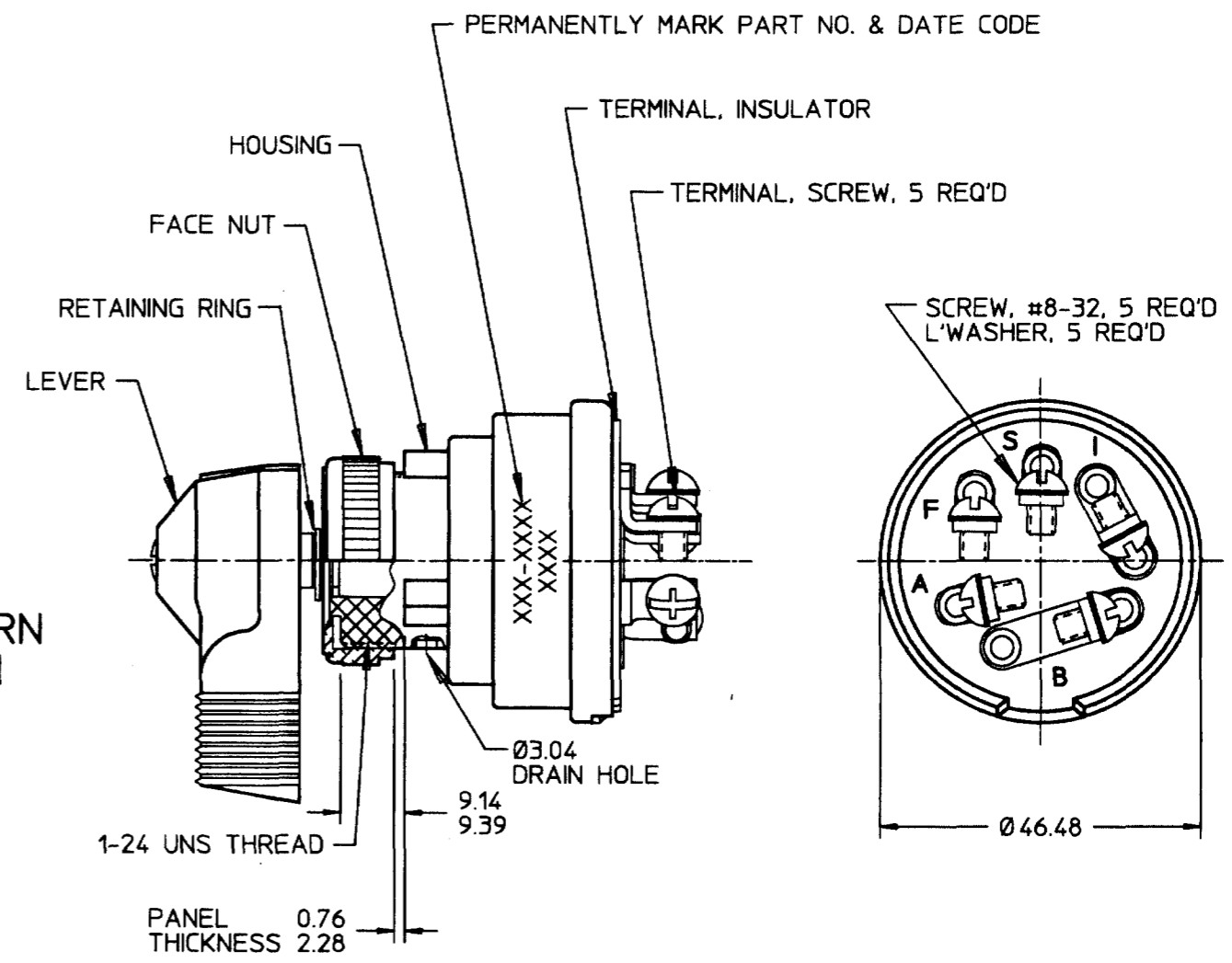
LET	WAS	DATE	BY	LET	WAS	DATE	BY	MATERIAL	DRAWN	CHECKED	APPRVD	SCALE	956-6310 W/ PIN, FIBER TE INSUL & COPPER RIVETS ON CONTACT	DO NOT SCALE
				D	ZINC 126234	12/18/92	TJH	—	RMT	5-23-79		1:1		DATE DRAWN 3-12-79
				C	ECN 25189	8-14-92	TJH	FINISH	COLE-HERSEE COMPANY BOSTON, MASS 02127, U.S.A.					DATE BLUEPRINT
				B	HOUSING	8/1/82	PB	—						
				A	REV 20702	9-12-79	JV	TOLERANCES FRACTIONAL ± DECIMAL ±.25	ACC-IGNITION SWITCH					956-6310
E	ECN #00139	3/1/00	MF	ISSUED	6-1-19	Y								

SPAULDING CO., INC

MM	IN
0.76	0.030
1.01	0.040
1.52	0.059
1.57	0.061
2.03	0.080
2.28	0.090
3.04	0.120
3.55	0.140
4.82	0.190
9.14	0.360
9.39	0.370
13.66	0.538
13.71	0.540
42.81	1.685
46.48	1.830



FRONT VIEW SHOWN W/O LEVER AND FACE NUT



- NOTES:
1. ALL STEEL PARTS PLATED
 2. ALL DIMENSIONS ARE REFERENCE ONLY UNLESS OTHERWISE SPECIFIED
 3. SHAFT O-RING SEALED TO CASE
 4. TERMINAL INSULATOR GASKET SEALED
 5. APPLICABLE SAE STANDARD OR RECOMMENDED PRACTICE SAE J259

DO NOT SCALE

RATING AT 12 VDC		LEGEND	
ACCESSORY	10 AMP	BATTERY	B
IGNITION	10 AMP	ACCESSORY	A
START	5 AMP	IGNITION	I
FUEL	10 AMP	START	S
		FUEL	F

METRIC

LET.	WAS	DATE	BY	LET.	WAS	DATE	BY	MATERIAL	DRAWN	CHK	APVD	SCALE	DATE DRAWN
								N/A	JMP	4	N/A	1:1	11/24/97
								FINISH	Cole Hersee Co. 20 OLD COLONY AVENUE, BOSTON, MA., U.S.A., 02127				DATE BLUEPRINTED
								N/A					SW, IGN & START, 4 POS
				A	ECN 00521	06/28/00	DPS	TOLERANCES DECIMAL ± N/A ANGLE ± N/A					

Компания «Life Electronics» занимается поставками электронных компонентов импортного и отечественного производства от производителей и со складов крупных дистрибьюторов Европы, Америки и Азии.

С конца 2013 года компания активно расширяет линейку поставок компонентов по направлению коаксиальный кабель, кварцевые генераторы и конденсаторы (керамические, пленочные, электролитические), за счёт заключения дистрибьюторских договоров

Мы предлагаем:

- Конкурентоспособные цены и скидки постоянным клиентам.
- Специальные условия для постоянных клиентов.
- Подбор аналогов.
- Поставку компонентов в любых объемах, удовлетворяющих вашим потребностям.
- Приемлемые сроки поставки, возможна ускоренная поставка.
- Доставку товара в любую точку России и стран СНГ.
- Комплексную поставку.
- Работу по проектам и поставку образцов.
- Формирование склада под заказчика.
- Сертификаты соответствия на поставляемую продукцию (по желанию клиента).
- Тестирование поставляемой продукции.
- Поставку компонентов, требующих военную и космическую приемку.
- Входной контроль качества.
- Наличие сертификата ISO.

В составе нашей компании организован Конструкторский отдел, призванный помогать разработчикам, и инженерам.

Конструкторский отдел помогает осуществить:

- Регистрацию проекта у производителя компонентов.
- Техническую поддержку проекта.
- Защиту от снятия компонента с производства.
- Оценку стоимости проекта по компонентам.
- Изготовление тестовой платы монтаж и пусконаладочные работы.



Тел: +7 (812) 336 43 04 (многоканальный)

Email: org@lifeelectronics.ru