

Medium Power Phase Control Thyristors (Stud Version), 25 A



TO-208AA (TO-48)

FEATURES

- Improved glass passivation for high reliability and exceptional stability at high temperature
- High di/dt and dV/dt capabilities
- Standard package
- Low thermal resistance
- Metric threads version available
- Types up to 1200 V V_{DRM}/V_{RRM}
- Designed and qualified for industrial and consumer level
- Material categorization: For definitions of compliance please see www.vishay.com/doc?99912



RoHS
COMPLIANT

| PRODUCT SUMMARY | |
|-------------------|------------------|
| Package | TO-208AA (TO-48) |
| Diode variation | Single SCR |
| $I_{T(AV)}$ | 25 A |
| V_{DRM}/V_{RRM} | 100 V to 1200 V |
| V_{TM} | 1.70 V |
| I_{GT} | 60 mA |
| T_J | -65 °C to 125 °C |

TYPICAL APPLICATIONS

- Medium power switching
- Phase control applications
- Can be supplied to meet stringent military, aerospace and other high reliability requirements

| MAJOR RATINGS AND CHARACTERISTICS | | | |
|-----------------------------------|-----------------|-------------|------------------|
| PARAMETER | TEST CONDITIONS | VALUES | UNITS |
| $I_{T(AV)}$ | | 25 | A |
| | T_C | 85 | °C |
| $I_{T(RMS)}$ | | 40 | A |
| I_{TSM} | 50 Hz | 420 | A |
| | 60 Hz | 440 | |
| I^2t | 50 Hz | 867 | A ² s |
| | 60 Hz | 790 | |
| V_{DRM}/V_{RRM} | | 100 to 1200 | V |
| t_q | Typical | 110 | μs |
| T_J | | -65 to 125 | °C |

ELECTRICAL SPECIFICATIONS

| VOLTAGE RATINGS | | | | |
|-----------------|--------------|---|---|--|
| TYPE NUMBER | VOLTAGE CODE | V_{DRM}/V_{RRM} , MAXIMUM REPETITIVE PEAK AND OFF-STATE VOLTAGE ⁽¹⁾ V | V_{RSM} , MAXIMUM NON-REPETITIVE PEAK VOLTAGE ⁽²⁾ V | I_{DRM}/I_{RRM} MAXIMUM AT $T_J = T_J$ MAXIMUM mA |
| VS-25RIA | 10 | 100 | 150 | 20 |
| | 20 | 200 | 300 | 10 |
| | 40 | 400 | 500 | |
| | 60 | 600 | 700 | |
| | 80 | 800 | 900 | |
| | 100 | 1000 | 1100 | |
| | 120 | 1200 | 1300 | |

Notes

⁽¹⁾ Units may be broken over non-repetitively in the off-state direction without damage, if di/dt does not exceed 20 A/μs

⁽²⁾ For voltage pulses with $t_p \leq 5$ ms



| ABSOLUTE MAXIMUM RATINGS | | | | | |
|--|---------------|---|----------------------------|--------|---------------|
| PARAMETER | SYMBOL | TEST CONDITIONS | | VALUES | UNITS |
| Maximum average on-state current at case temperature | $I_{T(AV)}$ | 180° sinusoidal conduction | | 25 | A |
| | | | | 85 | °C |
| Maximum RMS on-state current | $I_{T(RMS)}$ | | | 40 | A |
| Maximum peak, one-cycle non-repetitive surge current | I_{TSM} | t = 10 ms | No voltage reappplied | 420 | A |
| | | t = 8.3 ms | No voltage reappplied | 440 | |
| | | t = 10 ms | 100 % V_{RRM} reappplied | 350 | |
| | | t = 8.3 ms | 100 % V_{RRM} reappplied | 370 | |
| Maximum I^2t for fusing | I^2t | t = 10 ms | No voltage reappplied | 867 | A^2s |
| | | t = 8.3 ms | No voltage reappplied | 790 | |
| | | t = 10 ms | 100 % V_{RRM} reappplied | 615 | |
| | | t = 8.3 ms | 100 % V_{RRM} reappplied | 560 | |
| Maximum $I^2\sqrt{t}$ for fusing | $I^2\sqrt{t}$ | t = 0.1 to 10 ms, no voltage reappplied, $T_J = T_J$ maximum | | 8670 | $A^2\sqrt{s}$ |
| Low level value of threshold voltage | $V_{T(TO)1}$ | $(16.7\% \times \pi \times I_{T(AV)} < I < \pi \times I_{T(AV)})$, $T_J = T_J$ maximum | | 0.99 | V |
| High level value of threshold voltage | $V_{T(TO)2}$ | $(I > \pi \times I_{T(AV)})$, $T_J = T_J$ maximum | | 1.40 | |
| Low level value of on-state slope resistance | r_{t1} | $(16.7\% \times \pi \times I_{T(AV)} < I < \pi \times I_{T(AV)})$, $T_J = T_J$ maximum | | 10.1 | mΩ |
| High level value of on-state slope resistance | r_{t2} | $(I > \pi \times I_{T(AV)})$, $T_J = T_J$ maximum | | 5.7 | |
| Maximum on-state voltage | V_{TM} | $I_{pk} = 79$ A, $T_J = 25$ °C | | 1.70 | V |
| Maximum holding current | I_H | $T_J = 25$ °C, anode supply 6 V, resistive load | | 130 | mA |
| Latching current | I_L | | | 200 | |

| SWITCHING | | | | | | |
|---|----------|---|--|-----------------------|-----------|-----|
| PARAMETER | SYMBOL | TEST CONDITIONS | | VALUES | UNITS | |
| Maximum rate of rise of turned-on current | dI/dt | $T_J = T_J$ maximum, $V_{DM} = \text{Rated } V_{DRM}$ Gate pulse = 20 V, 15 Ω, $t_p = 6$ μs, $t_r = 0.1$ μs maximum $I_{TM} = (2 \times \text{rated } dI/dt)$ A | | 200 | $A/\mu s$ | |
| | | | | $V_{DRM} \leq 600$ V | | 180 |
| | | | | $V_{DRM} \leq 800$ V | | 160 |
| | | | | $V_{DRM} \leq 1000$ V | | 150 |
| Typical turn-on time | t_{gt} | $T_J = 25$ °C, at rated V_{DRM}/V_{RRM} , $T_J = 125$ °C | | 0.9 | μs | |
| Typical reverse recovery time | t_{rr} | $T_J = T_J$ maximum, $I_{TM} = I_{T(AV)}$, $t_p > 200$ μs, $dI/dt = -10$ A/μs | | 4 | | |
| Typical turn-off time | t_q | $T_J = T_J$ maximum, $I_{TM} = I_{T(AV)}$, $t_p > 200$ μs, $V_R = 100$ V, $dI/dt = -10$ A/μs, $dV/dt = 20$ V/μs linear to 67 % V_{DRM} , gate bias 0 V to 100 W | | 110 | | |

Note

- $t_q = 10$ μs up to 600 V, $t_q = 30$ μs up to 1600 V available on special request

| BLOCKING | | | | | |
|--|---------|---|--|--------------------|-----------|
| PARAMETER | SYMBOL | TEST CONDITIONS | | VALUES | UNITS |
| Maximum critical rate of rise of off-state voltage | dV/dt | $T_J = T_J$ maximum linear to 100 % rated V_{DRM} | | 100 | $V/\mu s$ |
| | | $T_J = T_J$ maximum linear to 67 % rated V_{DRM} | | 300 ⁽¹⁾ | |

Note

⁽¹⁾ Available with: $dV/dt = 1000$ V/μs, to complete code add S90 i.e. 25RIA120S90



| TRIGGERING | | | | | |
|-------------------------------------|-------------|--|--|--------|-------|
| PARAMETER | SYMBOL | TEST CONDITIONS | | VALUES | UNITS |
| Maximum peak gate power | P_{GM} | $T_J = T_J$ maximum | | 8.0 | W |
| Maximum average gate power | $P_{G(AV)}$ | | | 2.0 | |
| Maximum peak positive gate current | I_{GM} | $T_J = T_J$ maximum | | 1.5 | A |
| Maximum peak negative gate voltage | $-V_{GM}$ | $T_J = T_J$ maximum | | 10 | V |
| DC gate current required to trigger | I_{GT} | $T_J = -65\text{ }^\circ\text{C}$ | Maximum required gate trigger current/voltage are the lowest value which will trigger all units 6 V anode to cathode applied | 90 | mA |
| | | $T_J = 25\text{ }^\circ\text{C}$ | | 60 | |
| | | $T_J = 125\text{ }^\circ\text{C}$ | | 35 | |
| DC gate voltage required to trigger | V_{GT} | $T_J = -65\text{ }^\circ\text{C}$ | | 3.0 | V |
| | | $T_J = 25\text{ }^\circ\text{C}$ | | 2.0 | |
| | | $T_J = 125\text{ }^\circ\text{C}$ | | 1.0 | |
| DC gate current not to trigger | I_{GD} | $T_J = T_J$ maximum, $V_{DRM} =$ Rated value | | 2.0 | mA |
| DC gate voltage not to trigger | V_{GD} | $T_J = T_J$ maximum, $V_{DRM} =$ Rated value | Maximum gate current/voltage not to trigger is the maximum value which will not trigger any unit with rated V_{DRM} anode to cathode applied | 0.2 | V |

| THERMAL AND MECHANICAL SPECIFICATIONS | | | | | |
|--|----------------|---|--|--------------------------|---------------------|
| PARAMETER | SYMBOL | TEST CONDITIONS | | VALUES | UNITS |
| Maximum operating junction and storage temperature range | T_J, T_{Stg} | | | - 65 to 125 | $^\circ\text{C}$ |
| Maximum thermal resistance, junction to case | R_{thJC} | DC operation | | 0.75 | K/W |
| Maximum thermal resistance, case to heatsink | R_{thCS} | Mounting surface, smooth, flat and greased | | 0.35 | |
| Allowable mounting torque | | Non-lubricated threads | | $3.4 + 0 - 10\%$ (30) | N · m (lbf · in) |
| | | Lubricated threads | | $23 + 0 - 10\%$ (20) | |
| Approximate weight | | | | 14 | g |
| | | | | 0.49 | oz. |
| Case style | | See dimensions - link at the end of datasheet | | TO-208AA (TO-48) | |

| ΔR_{thJC} CONDUCTION | | | | |
|------------------------------|-----------------------|------------------------|---------------------|-------|
| CONDUCTION ANGLE | SINUSOIDAL CONDUCTION | RECTANGULAR CONDUCTION | TEST CONDITIONS | UNITS |
| 180° | 0.17 | 0.13 | $T_J = T_J$ maximum | K/W |
| 120° | 0.21 | 0.22 | | |
| 90° | 0.27 | 0.30 | | |
| 60° | 0.40 | 0.42 | | |
| 30° | 0.69 | 0.70 | | |

Note

- The table above shows the increment of thermal resistance R_{thJC} when devices operate at different conduction angles than DC



Fig. 1 - Current Ratings Characteristics

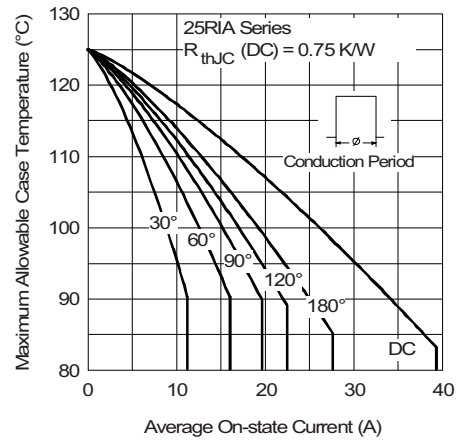


Fig. 1 - Current Ratings Characteristics

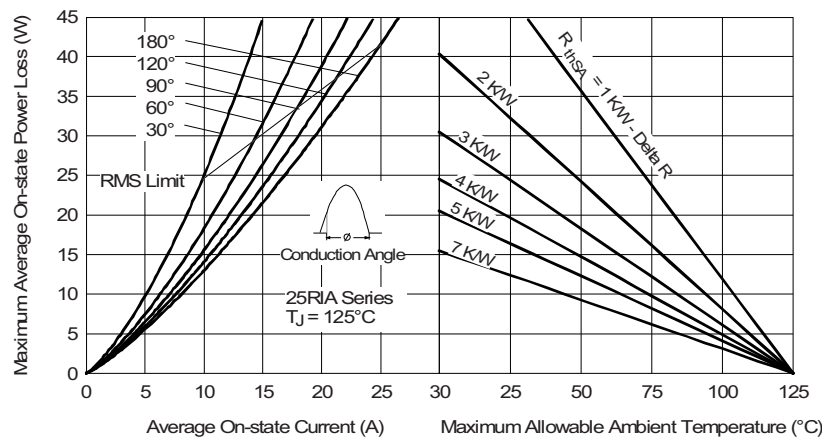


Fig. 2 - On-State Power Loss Characteristics

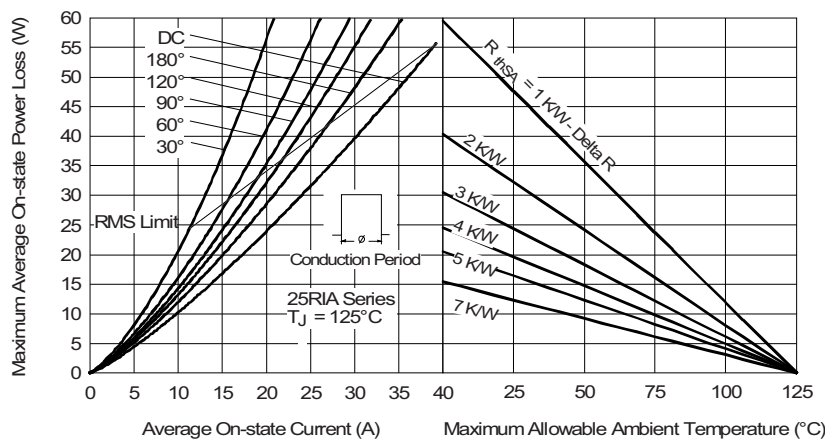


Fig. 3 - On-State Power Loss Characteristics



Fig. 4 - Maximum Non-Repetitive Surge Current



Fig. 5 - Maximum Non-Repetitive Surge Current



Fig. 6 - Forward Voltage Drop Characteristics



Fig. 7 - Thermal Impedance Z_{thJC} Characteristics

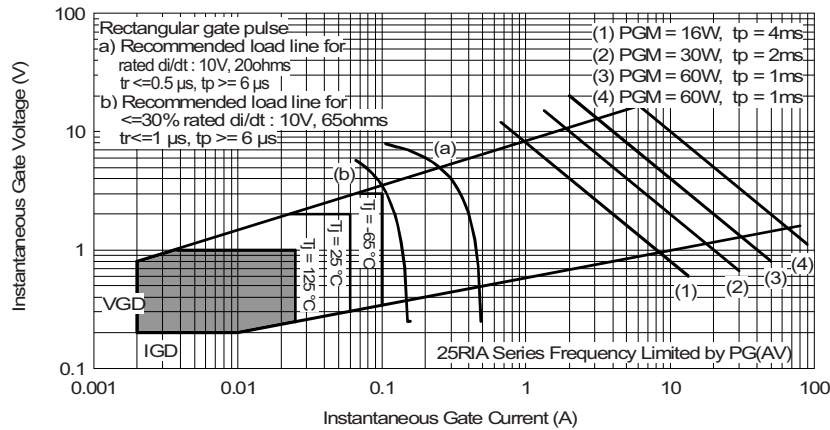


Fig. 8 - Gate Characteristics

ORDERING INFORMATION TABLE

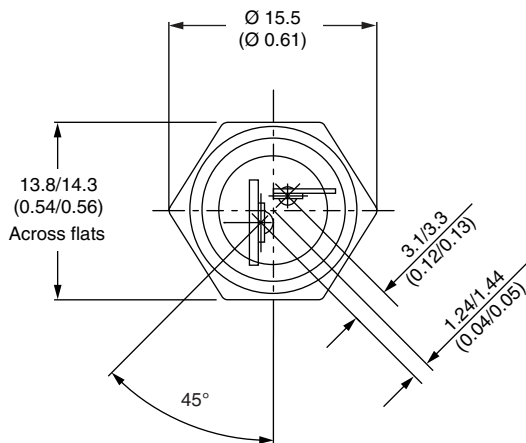
| | | | | | | |
|-------------|------------|-----------|------------|------------|----------|------------|
| Device code | VS- | 25 | RIA | 120 | M | S90 |
| | (1) | (2) | (3) | (4) | (5) | (6) |

- 1** - Vishay Semiconductors product
- 2** - Current code
- 3** - Essential part number
- 4** - Voltage code x 10 = V_{RRM} (see Voltage Ratings table)
- 5** - None = Stud base TO-208AA (TO-48) 1/4" 28UNF-2A
 M = Stud base TO-208AA (TO-48) M6 x 1
- 6** - Critical dV/dt:
 None = 300 V/ μs (standard value)
 S90 = 1000 V/ μs (special selection)

| LINKS TO RELATED DOCUMENTS | |
|----------------------------|--|
| Dimensions | www.vishay.com/doc?95333 |

TO-208AA (TO-48)

DIMENSIONS in millimeters (inches)





Disclaimer

ALL PRODUCT, PRODUCT SPECIFICATIONS AND DATA ARE SUBJECT TO CHANGE WITHOUT NOTICE TO IMPROVE RELIABILITY, FUNCTION OR DESIGN OR OTHERWISE.

Vishay Intertechnology, Inc., its affiliates, agents, and employees, and all persons acting on its or their behalf (collectively, "Vishay"), disclaim any and all liability for any errors, inaccuracies or incompleteness contained in any datasheet or in any other disclosure relating to any product.

Vishay makes no warranty, representation or guarantee regarding the suitability of the products for any particular purpose or the continuing production of any product. To the maximum extent permitted by applicable law, Vishay disclaims (i) any and all liability arising out of the application or use of any product, (ii) any and all liability, including without limitation special, consequential or incidental damages, and (iii) any and all implied warranties, including warranties of fitness for particular purpose, non-infringement and merchantability.

Statements regarding the suitability of products for certain types of applications are based on Vishay's knowledge of typical requirements that are often placed on Vishay products in generic applications. Such statements are not binding statements about the suitability of products for a particular application. It is the customer's responsibility to validate that a particular product with the properties described in the product specification is suitable for use in a particular application. Parameters provided in datasheets and/or specifications may vary in different applications and performance may vary over time. All operating parameters, including typical parameters, must be validated for each customer application by the customer's technical experts. Product specifications do not expand or otherwise modify Vishay's terms and conditions of purchase, including but not limited to the warranty expressed therein.

Except as expressly indicated in writing, Vishay products are not designed for use in medical, life-saving, or life-sustaining applications or for any other application in which the failure of the Vishay product could result in personal injury or death. Customers using or selling Vishay products not expressly indicated for use in such applications do so at their own risk. Please contact authorized Vishay personnel to obtain written terms and conditions regarding products designed for such applications.

No license, express or implied, by estoppel or otherwise, to any intellectual property rights is granted by this document or by any conduct of Vishay. Product names and markings noted herein may be trademarks of their respective owners.

Material Category Policy

Vishay Intertechnology, Inc. hereby certifies that all its products that are identified as RoHS-Compliant fulfill the definitions and restrictions defined under Directive 2011/65/EU of The European Parliament and of the Council of June 8, 2011 on the restriction of the use of certain hazardous substances in electrical and electronic equipment (EEE) - recast, unless otherwise specified as non-compliant.

Please note that some Vishay documentation may still make reference to RoHS Directive 2002/95/EC. We confirm that all the products identified as being compliant to Directive 2002/95/EC conform to Directive 2011/65/EU.

Vishay Intertechnology, Inc. hereby certifies that all its products that are identified as Halogen-Free follow Halogen-Free requirements as per JEDEC JS709A standards. Please note that some Vishay documentation may still make reference to the IEC 61249-2-21 definition. We confirm that all the products identified as being compliant to IEC 61249-2-21 conform to JEDEC JS709A standards.

Компания «Life Electronics» занимается поставками электронных компонентов импортного и отечественного производства от производителей и со складов крупных дистрибьюторов Европы, Америки и Азии.

С конца 2013 года компания активно расширяет линейку поставок компонентов по направлению коаксиальный кабель, кварцевые генераторы и конденсаторы (керамические, пленочные, электролитические), за счёт заключения дистрибьюторских договоров

Мы предлагаем:

- Конкурентоспособные цены и скидки постоянным клиентам.
- Специальные условия для постоянных клиентов.
- Подбор аналогов.
- Поставку компонентов в любых объемах, удовлетворяющих вашим потребностям.
- Приемлемые сроки поставки, возможна ускоренная поставка.
- Доставку товара в любую точку России и стран СНГ.
- Комплексную поставку.
- Работу по проектам и поставку образцов.
- Формирование склада под заказчика.
- Сертификаты соответствия на поставляемую продукцию (по желанию клиента).
- Тестирование поставляемой продукции.
- Поставку компонентов, требующих военную и космическую приемку.
- Входной контроль качества.
- Наличие сертификата ISO.

В составе нашей компании организован Конструкторский отдел, призванный помогать разработчикам, и инженерам.

Конструкторский отдел помогает осуществить:

- Регистрацию проекта у производителя компонентов.
- Техническую поддержку проекта.
- Защиту от снятия компонента с производства.
- Оценку стоимости проекта по компонентам.
- Изготовление тестовой платы монтаж и пусконаладочные работы.



Тел: +7 (812) 336 43 04 (многоканальный)

Email: org@lifeelectronics.ru