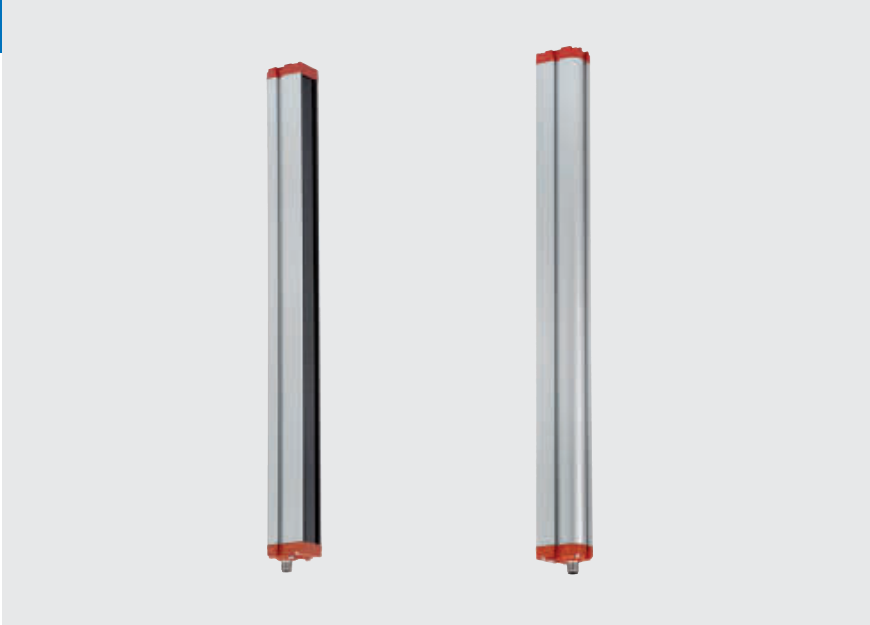


# Discrete Output Light Grid in Robust Aluminum Housing

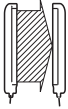
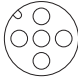
# F3ET2

The F3ET2 light grids provide reliable area monitoring in robust housing. The M12, 5-pin connectors and optical synchronization between transmitter and receiver allow for fast and simple installation without special requirements.

- Optical synchronization for reliable operation without additional wiring
- Robust aluminum housing
- NPN/PNP and Light-on / Dark-on selectable
- Brackets included with Light Grids



## Ordering Information

| Sensor Type  | Detection Area (mm) | Pitch | Sensing Distance | Beams          | Connection Method   | Output* | Model          |
|--|---------------------|-------|------------------|----------------|---|---------|----------------|
| Throughbeam<br> | 150                 | 5 mm  | 3 m              | 30             | <br>5 pin | PNP/NPN | F3ET2-005-150  |
|  |                     | 18 mm | 15 m             | 8              |   |         | F3ET2-018-150  |
|  | 300                 | 5 mm  | 3 m              | 60             |   |         | F3ET2-005-300  |
|  |                     | 18 mm | 15 m             | 16             |   |         | F3ET2-018-300  |
|  | 450                 | 5 mm  | 3 m              | 90             |   |         | F3ET2-005-450  |
|  |                     | 18 mm | 15 m             | 24             |   |         | F3ET2-018-450  |
|  | 600                 | 5 mm  | 3 m              | 120            |   |         | F3ET2-005-600  |
|  |                     | 18 mm | 15 m             | 32             |   |         | F3ET2-018-600  |
|  | 900                 | 5 mm  | 3 m              | 180            |   |         | F3ET2-005-900  |
|  |                     | 18 mm | 15 m             | 48             |   |         | F3ET2-018-900  |
|  | 1200                | 5 mm  | 3 m              | 240            |   |         | F3ET2-005-1200 |
|  |                     | 18 mm | 15 m             | 64             |   |         | F3ET2-018-1200 |
|  | 1500                | 5 mm  | 3 m              | 300            |   |         | F3ET2-005-1500 |
|  |                     | 18 mm | 15 m             | 80             |   |         | F3ET2-018-1500 |
|  | 1800                | 5 mm  | 3 m              | 360            |   |         | F3ET2-005-1800 |
|  |                     | 18 mm | 15 m             | 96             |   |         | F3ET2-005-1800 |
| 2100   | 18 mm               | 15 m  | 112              | F3ET2-018-2100 |   |         |                |

\* Light-ON / Dark-ON selectable

Rating/Specifications

| Item                           | Through-beam   |  |
|--------------------------------|--|--|
|                                | F3ET2-005_   | F3ET2-018_   |
| Sensing distance               | 0 to 3 m   | 0 to 15 m  |
| Vertical detection area        | 0 to: 150, 300, 450, 600, 900, 1200, 1500, 1800 mm           | 0 to: 150, 300, 450, 600, 900, 1200, 1500, 1800, 2100 mm |
| Minimum detectable object size | 10 mm  | 30 mm  |
| Beam axis pitch                | 5 mm   | 18 mm  |
| Response time                  | 4 ms + 80 μs × number of beams                               |  |
| Power-on delay                 | 1 s max  |  |
| Light source (wavelength)      | Infrared LED (880 nm)  |  |
| Power supply voltage           | 24 VDC ±20%  |  |
| Current consumption            | 150 mA max   |  |
| Ambient temperature            | -10 to 55°C  |  |
| Storage temperature            | -25 to 70°C  |  |
| Degree of protection           | IEC 60529 IP65   |  |
| Protective circuits            | Reverse polarity protection, output short-circuit protection |  |
| Material                       | Case   | Aluminum   |
|                                | Cover  | Polycarbonate  |

Cable connectors

For pin arrangement and wire connection refer to Output Circuits.

| Type | Features | Material |         | Model           |                 |
|------|----------|----------|---------|-----------------|-----------------|
|      |          | Nut      | Cable   | Straight        | Angled          |
| M12  | 5 wires  | CuZn     | PVC 2 m | XS2F-M12PVC5S2M | XS2F-M12PVC5A2M |
|      |          |          | PUR 2 m | XS2F-M12PUR5S2M | XS2F-M12PUR5A2M |
|      |          |          | PVC 5 m | XS2F-M12PVC5S5M | XS2F-M12PVC5A5M |
|      |          |          | PUR 5 m | XS2F-M12PUR5S5M | XS2F-M12PUR5A5M |

Output circuits

Please connect the light grid as described below:



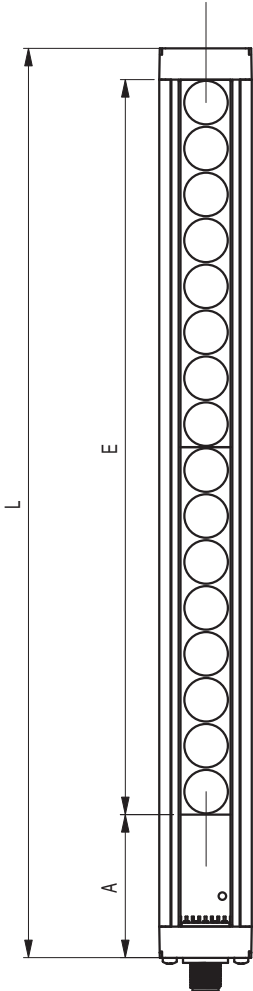
Connector PIN assignment - Receiver

| Type           | Internal wiring | Pin | Color | Signal name    |
|----------------|-----------------|-----|-------|----------------|
| M12<br>n4 pole |                 | 1   | Brown | +Vs            |
|                |                 | 2   | White | not used       |
|                |                 | 3   | Blue  | 0V             |
|                |                 | 4   | Black | PNP/NPN output |
|                |                 | 5   | Gray  | not used       |

Connector PIN assignment - Transmitter

| Type           | Internal wiring | Pin | Color | Signal name |
|----------------|-----------------|-----|-------|-------------|
| M12<br>n4 pole |                 | 1   | Brown | +Vs         |
|                |                 | 2   | White | not used    |
|                |                 | 3   | Blue  | 0V          |
|                |                 | 4   | Black | Not used    |

Dimensions



- L: Total length
- E: Detection zone
- A: Dead zone without detection capability



All dimensions shown are in mm

| Model          | Detection zone E (mm) | Total length L (mm) |
|----------------|-----------------------|---------------------|
| F3ET2-005-150  | 159                   | 218                 |
| F3ET2-018-150  | 147                   | 217                 |
| F3ET2-005-300  | 318                   | 277                 |
| F3ET2-018-300  | 294                   | 364                 |
| F3ET2-005-450  | 477                   | 536                 |
| F3ET2-018-450  | 441                   | 511                 |
| F3ET2-005-600  | 636                   | 695                 |
| F3ET2-018-600  | 588                   | 658                 |
| F3ET2-005-900  | 954                   | 1013                |
| F3ET2-018-900  | 882                   | 952                 |
| F3ET2-005-1200 | 1272                  | 1331                |
| F3ET2-018-1200 | 1176                  | 1246                |
| F3ET2-005-1500 | 1590                  | 1649                |
| F3ET2-018-1500 | 1470                  | 1540                |
| F3ET2-005-1800 | 1908                  | 1967                |
| F3ET2-018-1800 | 1764                  | 1834                |
| F3ET2-018-2100 | 2058                  | 2128                |

## Operation

The F3ET light grid features optical synchronization. This function is provided by the upper beam located on the opposite side of the connector (see illustration on the right). During operation this beam must always be kept free (unblocked). Otherwise it will result in a longer response frequency of the light grid.



### Indicator LEDs

For functions of indicator LEDs please refer to the tables below:

Status of Receiver is displayed by 5 LEDs:

| Disposition of indicator | Name of indicator | Color  |
|--------------------------|-------------------|--------|
|                          | POWER             | Green  |
|                          | RUN               | Yellow |
|                          | FREE              | Green  |
|                          | BREAK             | Red    |
|                          | STATUS            | Yellow |

Status of Transmitter is displayed by 5 LEDs:

| Disposition of indicator | Name of indicator | Color  |
|--------------------------|-------------------|--------|
|                          | POWER             | Green  |
|                          | STATUS 1          | Yellow |
|                          | RANGE             | Green  |
|                          | Not used          |        |
|                          | STATUS 2          | Yellow |

### Selector Switches

Operation mode and distance setting can be changed by selector switches. To access selector switches, unscrew the end cap of the receiver unit:



#### Transmitter

| Dip-SW           | Status | Function      |
|------------------|--------|---------------|
| 1, 2, 3, 4, 7, 8 | OFF    | Not USED      |
|                  | ON     | Not USED      |
| 5                | OFF    | FAR (Default) |
|                  | ON     | NEAR          |

#### Receiver

| Dip-SW        | Status | Function                |
|---------------|--------|-------------------------|
| 1, 4, 5, 7, 8 | OFF    | Not USED                |
|               | ON     | Not USED                |
| 2             | OFF    | PNP operation (Default) |
|               | ON     | NPN operation           |
| 3             | OFF    | Dark on (Default)       |
|               | ON     | Light on                |

Note: Selector setting must only be carried out when the receiver is NOT connected to the power supply. There are two lines of dip switches in each transmitter and receiver. The settings must be done for both lines.

# Mounting

## Mounting accessories

The F3ET2 system is mechanically installed by using the T-slots on the two sides or the back-side of the housing.

Use the movable bolts, washers, spacers and nuts to attach the mounting brackets as shown in the picture



| ID | Description |
|----|-------------|
| 1  | M6 bolt     |
| 2  | bracket     |
| 3  | M6 washer   |
| 4  | M6 spacer   |
| 5  | M6 nut      |

Note: Shipments contain a different quantity of brackets, depending on the length of the light grid. Longer light grids contain a higher number of brackets, following the rule of one bracket every 400 mm.

## Additional mounting rigidity

It is recommended that the distance between the mounting brackets is 400 mm or less for optimum performance of the F3ET2 system.



## Mechanical Mounting

Please mount the light grids in proper alignment as shown in the pictures below by using the brackets provided with the light grids.



If several light grids are installed close to each other, interference of the light grids must be avoided. In this case the assembly should be carried out as follows:



## Precautions

### ⚠ WARNING

**The F3ET multi-beam photoelectric sensor is not a safety component for ensuring the safety of people which is defined in EC directive (2006/42/EC) or by any other regulations or standards.**

### Power Supply Voltage and Output Load Power Supply Voltage

Do not connect an AC power supply to the Sensor. If AC power (100 VAC or more) is supplied to the Sensor, it may be damaged, explode or burn. Make sure that the power supply to the Sensor is within the rated voltage range. If a voltage exceeding the rated voltage range is supplied to the Sensor, it may explode or burn.

### Operating Environment

Do not use the sensor in locations with explosive or flammable gas. Make sure that the product is operated in accordance with IP65 standards.

Do not subject the sensor to excessive shock when mounting.

When you use the sensor in the vicinity of an inverter motor, be sure to connect the protective earth ground wire of the motor to earth. Failure to ground the motor may result in malfunction of the sensor.

### Mounting the Sensor

Do not strike the sensor with a hammer or any other tool during the installation of the Sensor.

### Cleaning

Never use paint thinners or other organic solvents to clean the surface of the product

### M12 Connector

Always turn OFF the power supply to the sensor before connecting or disconnecting the metal connector. Hold the connector cover to connect or disconnect it.

Secure the connector cover by hand. Do not use pliers; otherwise the connector may be damaged.

If the connector is not connected securely, it may be disconnected by vibration or the proper degree of protection of the sensor may not be maintained.

**OMRON AUTOMATION AND SAFETY • THE AMERICAS HEADQUARTERS** • Schaumburg, IL USA • 847.843.7900 • 800.556.6766 • [www.omron247.com](http://www.omron247.com)

#### OMRON CANADA, INC. • HEAD OFFICE

Toronto, ON, Canada • 416.286.6465 • 866.986.6766 • [www.omron247.com](http://www.omron247.com)

#### OMRON ELECTRONICS DE MEXICO • HEAD OFFICE

México DF • 52.55.59.01.43.00 • 001.800.556.6766 • [mela@omron.com](mailto:mela@omron.com)

#### OMRON ELECTRONICS DE MEXICO • SALES OFFICE

Apodaca, N.L. • 52.81.11.56.99.20 • 001.800.556.6766 • [mela@omron.com](mailto:mela@omron.com)

#### OMRON ELETRÔNICA DO BRASIL LTDA • HEAD OFFICE

São Paulo, SP, Brasil • 55.11.2101.6300 • [www.omron.com.br](http://www.omron.com.br)

#### OMRON ARGENTINA • SALES OFFICE

Cono Sur • 54.11.4783.5300

#### OMRON CHILE • SALES OFFICE

Santiago • 56.9.9917.3920

#### OTHER OMRON LATIN AMERICA SALES

54.11.4783.5300

**OMRON EUROPE B.V.** • Wegalaan 67-69, NL-2132 JD, Hoofddorp, The Netherlands. • Tel: +31 (0) 23 568 13 00 • Fax: +31 (0) 23 568 13 88 • [www.industrial.omron.eu](http://www.industrial.omron.eu)

Компания «Life Electronics» занимается поставками электронных компонентов импортного и отечественного производства от производителей и со складов крупных дистрибьюторов Европы, Америки и Азии.

С конца 2013 года компания активно расширяет линейку поставок компонентов по направлению коаксиальный кабель, кварцевые генераторы и конденсаторы (керамические, пленочные, электролитические), за счёт заключения дистрибьюторских договоров

Мы предлагаем:

- Конкуренспособные цены и скидки постоянным клиентам.
- Специальные условия для постоянных клиентов.
- Подбор аналогов.
- Поставку компонентов в любых объемах, удовлетворяющих вашим потребностям.
- Приемлемые сроки поставки, возможна ускоренная поставка.
- Доставку товара в любую точку России и стран СНГ.
- Комплексную поставку.
- Работу по проектам и поставку образцов.
- Формирование склада под заказчика.
- Сертификаты соответствия на поставляемую продукцию (по желанию клиента).
- Тестирование поставляемой продукции.
- Поставку компонентов, требующих военную и космическую приемку.
- Входной контроль качества.
- Наличие сертификата ISO.

В составе нашей компании организован Конструкторский отдел, призванный помогать разработчикам, и инженерам.

Конструкторский отдел помогает осуществить:

- Регистрацию проекта у производителя компонентов.
- Техническую поддержку проекта.
- Защиту от снятия компонента с производства.
- Оценку стоимости проекта по компонентам.
- Изготовление тестовой платы монтаж и пусконаладочные работы.



Тел: +7 (812) 336 43 04 (многоканальный)

Email: [org@lifeelectronics.ru](mailto:org@lifeelectronics.ru)