



FCIconnect.com

Copyright FCI.

1

2

List of "HFW__R-1/2STE1LF" customer document

| DOCUMENT NO. | LIST |
|--------------|--|
| SC-HFWR02 | SPEC. |
| JSA95923 | CAT.NO.TABLE FOR 1mm SPACING SMT CONNECTOR (HFW__R-1/2ST_LF) |
| JSA95924 | 1mm SPACING SURFACE MOUNT FPC/FFC CONNECTOR (HFW__R-1ST_LF) |
| JSA95925 | 1mm SPACING SURFACE MOUNT FPC/FFC CONNECTOR (HFW__R-2ST_LF) |
| JSA95926 | CAT.NO.TABLE FOR PLASTIC TAPE PACKAGED 1mm SPACING SMT CONN.(HFW__R-1/2STE1LF) |
| JSA95927 | 1mm SPACING SMT CONNECTOR (HFW__R-1STE1LF) |
| JSA95928 | 1mm SPACING SMT CONNECTOR (HFW__R-2STE1LF) |
| JSA93573 | RECOMMENDED CABLE (FPC) (HFW__R-1/2___) |
| JSA93574 | RECOMMENDED CABLE (FFC) (HFW__R-1/2___) |
| BJM-HFWR101 | HANDLING PROCEDURES |

| | | | | | | | | | | | | | |
|-------------|----------------|-----|----------|--|-----------------------------|----------------------------|--|-----------------|-------------------------------|---|--|----------------------|--|
| mat'l. code | | | | surface ⁵⁸ ISO 1302 <input checked="" type="checkbox"/> | | tolerance ISO 406 ISO 1101 | | projection | | product family 58NF | | CODE JP | |
| ltr | ecn no | dr | date | tolerances unless otherwise specified | | | | mm | | title 1mm SPACING FPC/FFC CONNECTOR DOCUMENT LIST (Cat. No. : HFW__R-1/2STE1LF) | | | |
| A | J05-0056 | H.T | '05/2/4 | angles | linear | scale \propto | | | | | | | |
| B | J06-0413 | H.T | 10/4/'06 | | | | | scale \propto | | dwg no JSA 96335 | | sheet 1 of 1 size A4 | |
| | | | | dr | <i>H. Hatanaka</i> 10/24/06 | | | | type Product Customer Drawing | | | | |
| | | | | enr | <i>H. Hatanaka</i> 10/20/06 | | | | | | | | |
| | | | | chr | <i>J. Goto</i> 10/22/06 | | | | | | | | |
| | | | | app | <i>S. Hatanaka</i> 10/12/06 | | | | | | | | |
| sheet index | revision sheet | B | 1 | | | | | | | | | Rev. B | |

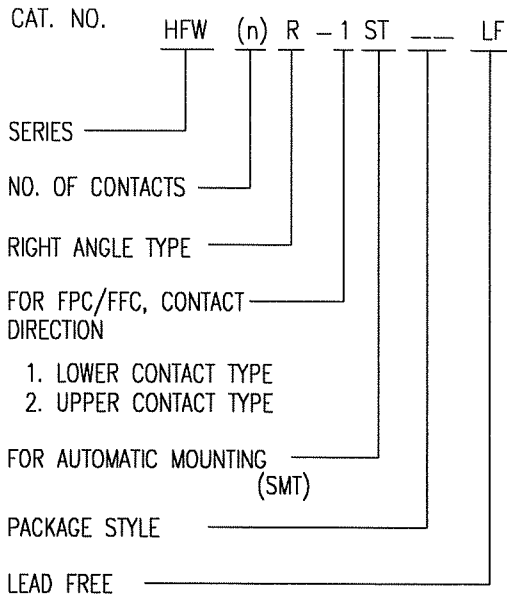
form: A4

1

2

CAT. NO. & DIMENSIONS

| (NOTE3) | NO. OF CONTACTS (n) | CAT. NO. | DIMENSIONS (NOTE2) | | |
|---------|---------------------|------------------|--------------------|---------|---------|
| | | | A ± 0.2 | B ± 0.2 | C ± 0.1 |
| | 4 | HFW4R-1/2ST__LF | 6.6 | 3 | 5.14 |
| | 5 | HFW5R-1/2ST__LF | 7.6 | 4 | 6.14 |
| | 6 | HFW6R-1/2ST__LF | 8.6 | 5 | 7.14 |
| | 7 | HFW7R-1/2ST__LF | 9.6 | 6 | 8.14 |
| | 8 | HFW8R-1/2ST__LF | 10.6 | 7 | 9.14 |
| | 9 | HFW9R-1/2ST__LF | 11.6 | 8 | 10.14 |
| | 10 | HFW10R-1/2ST__LF | 12.6 | 9 | 11.14 |
| | 11 | HFW11R-1/2ST__LF | 13.6 | 10 | 12.14 |
| | 12 | HFW12R-1/2ST__LF | 14.6 | 11 | 13.14 |
| | 13 | HFW13R-1/2ST__LF | 15.6 | 12 | 14.14 |
| | 14 | HFW14R-1/2ST__LF | 16.6 | 13 | 15.14 |
| | 15 | HFW15R-1/2ST__LF | 17.6 | 14 | 16.14 |
| | 16 | HFW16R-1/2ST__LF | 18.6 | 15 | 17.14 |
| | 17 | HFW17R-1/2ST__LF | 19.6 | 16 | 18.14 |
| | 18 | HFW18R-1/2ST__LF | 20.6 | 17 | 19.14 |
| | 19 | HFW19R-1/2ST__LF | 21.6 | 18 | 20.14 |
| | 20 | HFW20R-1/2ST__LF | 22.6 | 19 | 21.14 |
| | 21 | HFW21R-1/2ST__LF | 23.6 | 20 | 22.14 |
| | 22 | HFW22R-1/2ST__LF | 24.6 | 21 | 23.14 |
| | 23 | HFW23R-1/2ST__LF | 25.6 | 22 | 24.14 |
| | 24 | HFW24R-1/2ST__LF | 26.6 | 23 | 25.14 |
| | 25 | HFW25R-1/2ST__LF | 27.6 | 24 | 26.14 |
| | 26 | HFW26R-1/2ST__LF | 28.6 | 25 | 27.14 |
| | 27 | HFW27R-1/2ST__LF | 29.6 | 26 | 28.14 |
| * | 28 | HFW28R-1/2ST__LF | 30.6 | 27 | 29.14 |
| * | 29 | HFW29R-1/2ST__LF | 31.6 | 28 | 30.14 |
| | 30 | HFW30R-1/2ST__LF | 32.6 | 29 | 31.14 |



NOTES

1. THIS PRODUCT IS THE CONNECTOR DESIGNED TO TERMINATE FPC/FFC AND COPE WITH AUTOMATIC MOUNTING (SMT).
2. SEE PART DRAWINGS FOR DIMENSIONS A~C.
3. PLEASE CONSULT US IN CASE OF USING PARTS WITH * MARK.

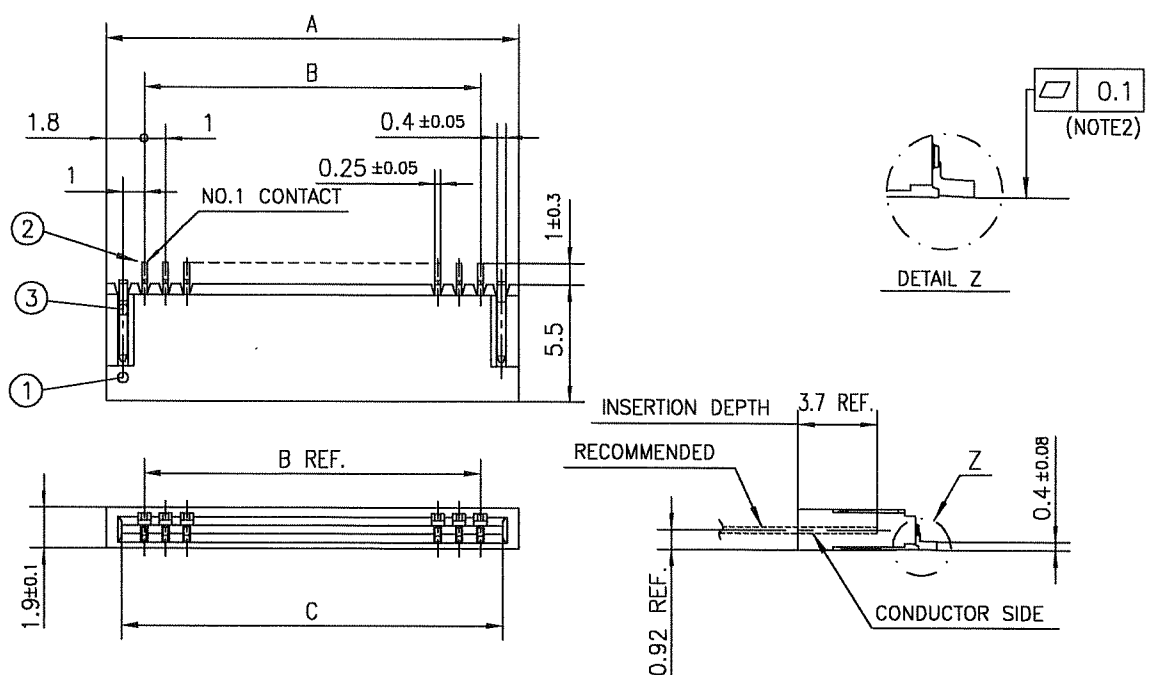
| | | | | | | | | | |
|-------------|----------------|-----|----------|--|------------------------------|------------|---|---------|--------|
| mat'l. code | | | | surface 58 / ISO 1302 ✓ | tolerance ISO 406 / ISO 1101 | projection | product family 58NF | CODE JP | |
| ltr | ecn no | dr | date | tolerances, unless otherwise specified | | mm | title CAT. NO. TABLE FOR 1mm SPACING SMT CONNECTOR (Cat. No. HFW__R-1/2ST__LF) | | |
| A | J04-0027 | H.T | 4/6/'04 | angles | linear | | | | |
| B | J05-0056 | H.T | 2/4/'05 | | | | | | |
| C | J06-0413 | H.T | 10/4/'06 | | | scale X | | | |
| | | | | dr | <i>H. Hatanaka</i> 10/14/06 | | sheet 1 of 1 size A4 | | |
| | | | | enrg | <i>H. Hatanaka</i> 10/14/06 | | JSA 95923 | | |
| | | | | chr | <i>J. J. J.</i> 10/12/06 | | type Product Customer Drawing | | |
| | | | | appd | <i>S. M. M.</i> 10/12/06 | | | | |
| sheet index | revision sheet | C | 1 | | | | | | Rev. C |

SC-HFWR02 JSA95924 95925 95926 95927 95928 93573 93574, 1



FCJconnect.com

Copyright FCJ.

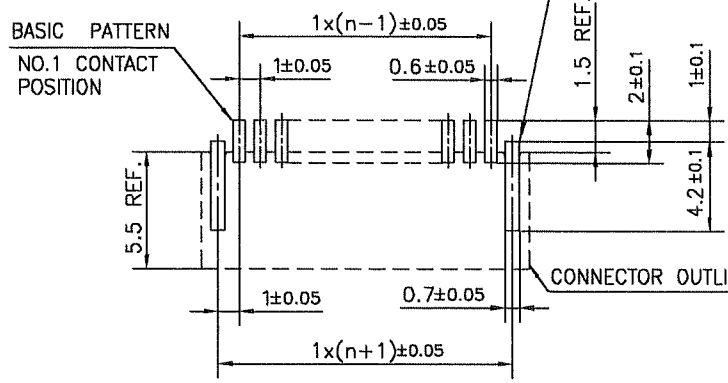


| PT. NO. | PARTS NAME | MATERIAL | Q'TY | NOTE |
|---------|----------------|---------------------------------------|------|-------------|
| 1 | HOUSING | PA6T RESIN GLASS REINFORCED (UL94V-0) | 1 | COLOR:BLACK |
| 2 | CONTACT | PHOSPHOR BRONZE | n | PLATING:TIN |
| 3 | MOUNTING PLATE | | 2 | (LEAD FREE) |

n : NO. OF CONTACTS

RECOMMENDED PC BOARD LAYOUT (COMPONENT SIDE)

BASIC PATTERN NO.1 CONTACT POSITION

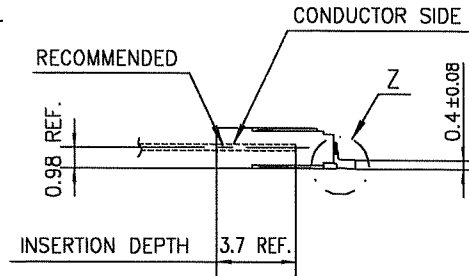
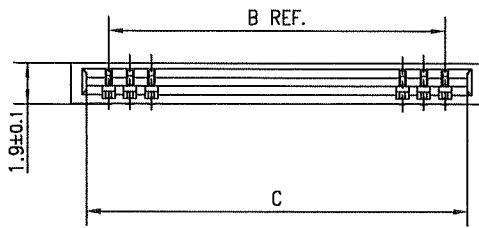
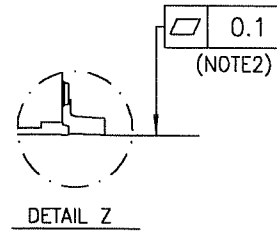
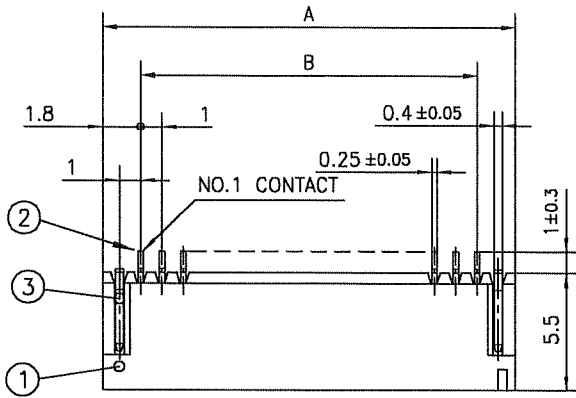


NOTES

1. THIS PRODUCT IS THE CONNECTOR DESIGNED TO TERMINATE FPC/FFC AND COPES WITH AUTOMATIC MOUNTING (SMT).
2. FLATNESS OF CONTACT TERMINAL FOR HOUSING MUST BE WITHIN TOLERANCE IN Z PORTION DETAILED DRAWING.
3. THIS PRODUCT IS LOWER CONTACT TYPE CONNECTOR.
4. THIS PRODUCT MEETS EUROPEAN UNION DIRECTIVES AND OTHER COUNTRY REGULATIONS AS DESCRIBED IN GS-22-008
5. THE HOUSING WILL WITHSTAND EXPOSURE TO 260°C PEAK TEMPERATURE FOR 10 SECONDS IN A REFLOW SOLDERING OVEN.

| | | | | | | | | | |
|-------------|----------|----------------|----------|---------------------------------------|--------------------|----------|------------|--|---------|
| mat'l. code | | | | surface 58 | tolerance ISO 1302 | ISO 406 | projection | product family 58NF | CODE JP |
| ltr | | | | tolerances unless otherwise specified | | ISO 1101 | mm | title | |
| A | J04-0027 | H.T | 4/6/04 | angles | linear | ±0.2 | | 1mm SPACING SURFACE MOUNT FPC/FFC CONNECTOR (Cat.No. HFW__R-1ST__LF) | |
| B | J05-0056 | H.T | 2/4/05 | | | | scale | sheet 1 of 1 | |
| C | J05-0732 | H.T | 10/28/05 | | | | | JSA 95924 | |
| D | J06-0413 | H.T | 10/4/06 | | | | | type Product Customer Drawing | |
| sheet index | | revision sheet | D 1 | | | | | size A4 | |

SC-HFWR02 JSA95923 form: A4



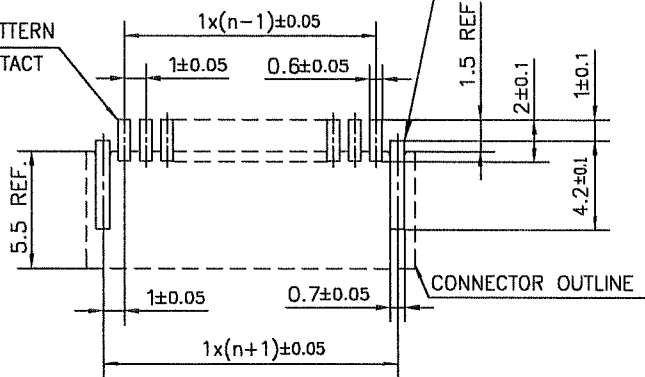
| PT. NO. | PARTS NAME | MATERIAL | Q'TY | NOTE |
|---------|----------------|---------------------------------------|------|-------------|
| 1 | HOUSING | PA6T RESIN GLASS REINFORCED (UL94V-0) | 1 | COLOR:BLACK |
| 2 | CONTACT | PHOSPHOR BRONZE | n | PLATING:TIN |
| 3 | MOUNTING PLATE | | 2 | (LEAD FREE) |

n : NO. OF CONTACTS

RECOMMENDED PC BOARD LAYOUT (COMPONENT SIDE)

BASIC PATTERN

NO.1 CONTACT POSITION



NOTES

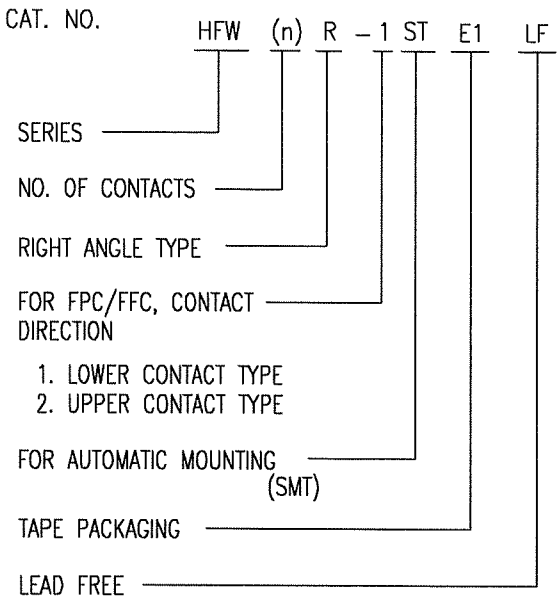
1. THIS PRODUCT IS THE CONNECTOR DESIGNED TO TERMINATE FPC/FFC AND COPE WITH AUTOMATIC MOUNTING (SMT).
2. FLATNESS OF CONTACT TERMINAL FOR HOUSING MUST BE WITHIN TOLERANCE IN Z PORTION DETAILED DRAWING.
3. THIS PRODUCT IS UPPER CONTACT TYPE CONNECTOR.
4. THIS PRODUCT MEETS EUROPEAN UNION DIRECTIVES AND OTHER COUNTRY REGULATIONS AS DESCRIBED IN GS-22-008
5. THE HOUSING WILL WITHSTAND EXPOSURE TO 260°C PEAK TEMPERATURE FOR 10 SECONDS IN A REFLOW SOLDERING OVEN.

| | | | | | | | | |
|-------------|----------------|-----|-----------|---------------------------------------|---------------------------|------------|--|--------------|
| mat'l. code | | | | surface 58 ISO 1302 | tolerance 406 ISO 1101 | projection | product family 58NF | CODE JP |
| ltr | ecn no | dr | date | tolerances unless otherwise specified | | mm | title | |
| A | J04-0027 | H.T | 4/6/'04 | angles | linear ±0.2 | | 1mm SPACING SURFACE MOUNT FPC/FFC CONNECTOR (Cat. No. HFWR_R-2ST_LF) | |
| B | J05-0056 | H.T | 2/4/'05 | | | scale | dwg no | sheet 1 of 1 |
| C | J05-0732 | H.T | 10/28/'05 | | | | JSA 95925 | |
| D | J06-0413 | H.T | 10/4/'06 | dr | | | type Product Customer Drawing | |
| sheet index | revision sheet | D | 1 | | | | | Rev. D |

SC-HFWR02 JSA95923 form: A4

CAT. NO. & DIMENSIONS

| (NOTE4) | NO. OF CONTACTS (n) | CAT. NO. (NOTE2) | DIMENSIONS (NOTE3) | | |
|---------|---------------------|------------------|--------------------|---------|---------|
| | | | E ± 5 | F ± 0.3 | G ± 0.1 |
| | 4 | HFW4R-1/2STE1LF | 28.4 | 24 | — |
| | 5 | HFW5R-1/2STE1LF | 28.4 | 24 | — |
| | 6 | HFW6R-1/2STE1LF | 28.4 | 24 | — |
| | 7 | HFW7R-1/2STE1LF | 28.4 | 24 | — |
| | 8 | HFW8R-1/2STE1LF | 28.4 | 24 | — |
| | 9 | HFW9R-1/2STE1LF | 28.4 | 24 | — |
| | 10 | HFW10R-1/2STE1LF | 28.4 | 24 | — |
| | 11 | HFW11R-1/2STE1LF | 28.4 | 24 | — |
| | 12 | HFW12R-1/2STE1LF | 28.4 | 24 | — |
| | 13 | HFW13R-1/2STE1LF | 28.4 | 24 | — |
| | 14 | HFW14R-1/2STE1LF | 28.4 | 24 | — |
| | 15 | HFW15R-1/2STE1LF | 36.4 | 32 | 28.4 |
| | 16 | HFW16R-1/2STE1LF | 36.4 | 32 | 28.4 |
| | 17 | HFW17R-1/2STE1LF | 36.4 | 32 | 28.4 |
| | 18 | HFW18R-1/2STE1LF | 36.4 | 32 | 28.4 |
| | 19 | HFW19R-1/2STE1LF | 48.4 | 44 | 40.4 |
| | 20 | HFW20R-1/2STE1LF | 48.4 | 44 | 40.4 |
| | 21 | HFW21R-1/2STE1LF | 48.4 | 44 | 40.4 |
| | 22 | HFW22R-1/2STE1LF | 48.4 | 44 | 40.4 |
| | 23 | HFW23R-1/2STE1LF | 48.4 | 44 | 40.4 |
| | 24 | HFW24R-1/2STE1LF | 48.4 | 44 | 40.4 |
| | 25 | HFW25R-1/2STE1LF | 48.4 | 44 | 40.4 |
| | 26 | HFW26R-1/2STE1LF | 48.4 | 44 | 40.4 |
| | 27 | HFW27R-1/2STE1LF | 48.4 | 44 | 40.4 |
| * | 28 | HFW28R-1/2STE1LF | 48.4 | 44 | 40.4 |
| * | 29 | HFW29R-1/2STE1LF | 48.4 | 44 | 40.4 |
| | 30 | HFW30R-1/2STE1LF | 60.4 | 56 | 52.4 |



NOTES

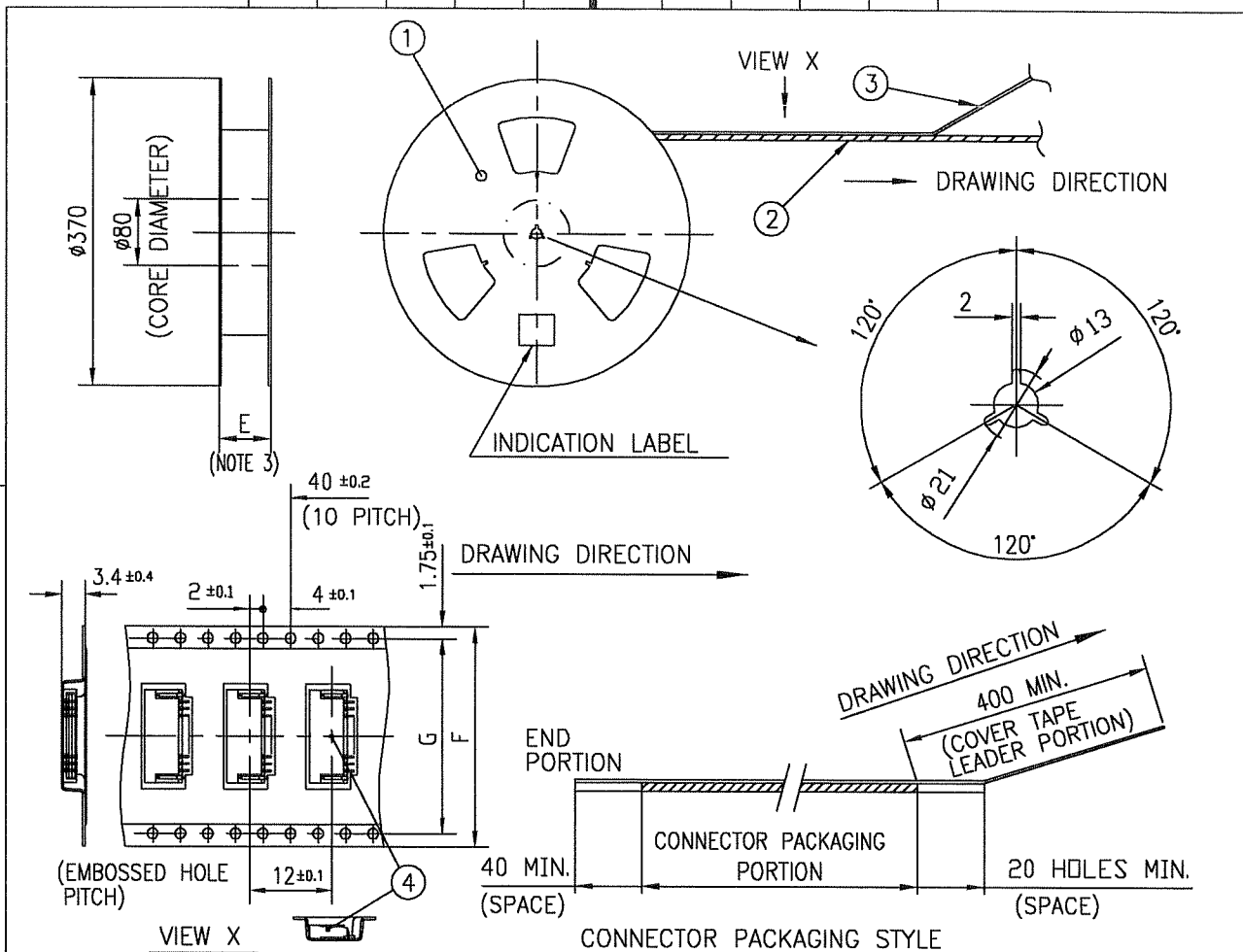
1. THIS PRODUCT IS THE CONNECTOR DESIGNED TO TERMINATE FPC/FFC AND COPE WITH AUTOMATIC MOUNTING (SMT).
2. THIS CATALOG NO. INDICATES PLASTIC TAPE PACKAGED CONNECTOR.
3. SEE PART DRAWINGS FOR DIMENSIONS E~G.
4. PLEASE CONSULT US IN CASE OF USING PARTS WITH * MARK.



FCIconnect.com

Copyright FCI.

| | | | | | | | | | | | | | |
|-------------|--|------------|--|-------------------------|--|------------------------------|--|------------|--|---------------------------------------|--|---|--|
| mat'l. code | | | | surface 58 / ISO 1302 ✓ | | tolerance ISO 406 / ISO 1101 | | projection | | product family 58NF | | CODE JP | |
| ltr | | | | ecn no | | dr | | date | | tolerances unless otherwise specified | | title | |
| A | | | | J04-0027 | | H.T | | 4/6/04 | | angles | | CAT. NO. TABLE FOR PLASTIC TAPE PACKAGED 1mm SPACING SMT CONN. (Cat.No. HFW__R-1/2STE1LF) | |
| B | | | | J05-0056 | | H.T | | 2/4/05 | | linear | | mm | |
| C | | | | J06-0413 | | H.T | | 10/4/06 | | scale X | | dwg no sheet 1 of 1 size | |
| | | | | | | | | | | FCI | | JSA 95926 A4 | |
| | | | | | | | | | | | | type Product Customer Drawing | |
| sheet index | | revision C | | sheet 1 | | | | | | | | Rev. C | |



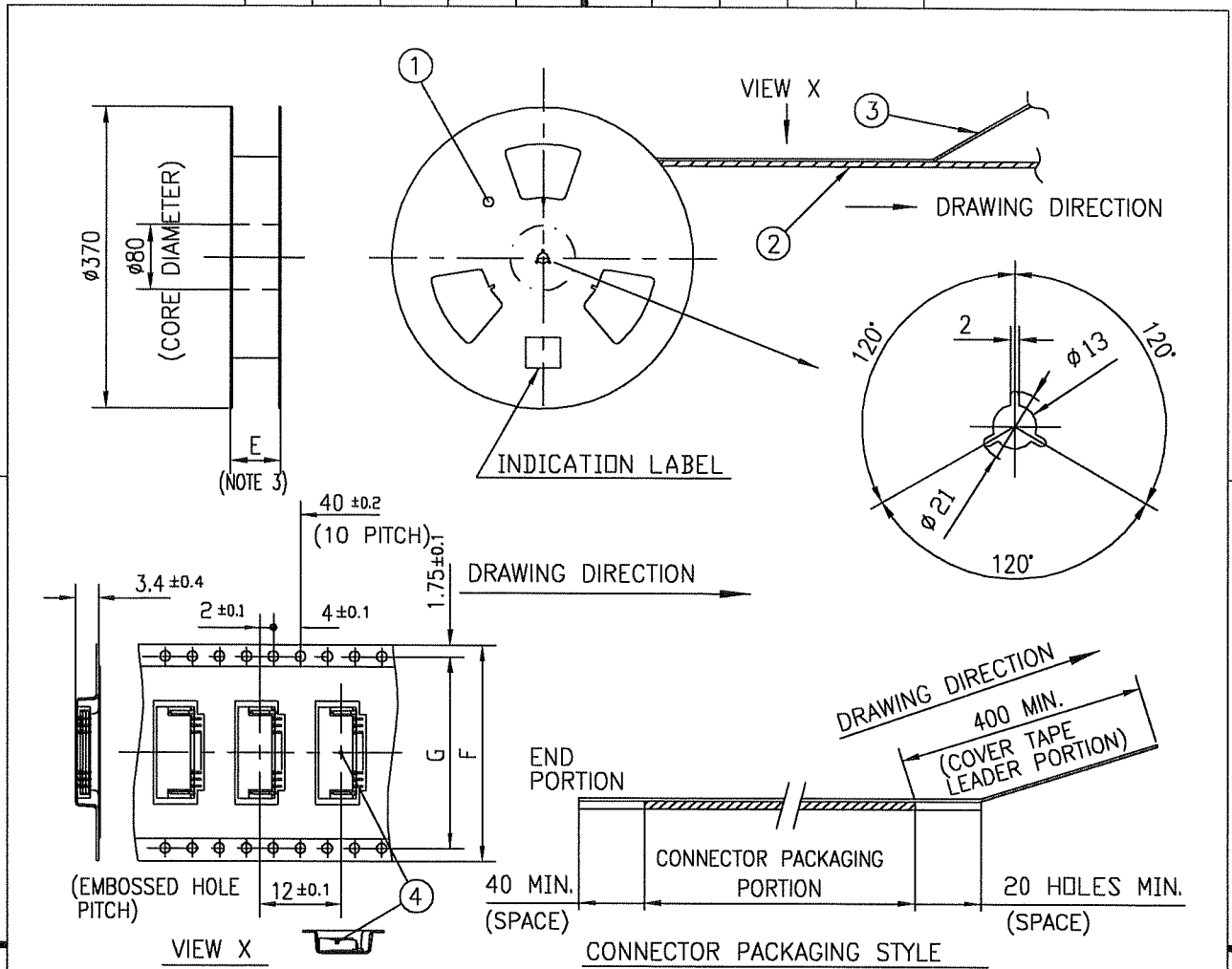
| PT. NO. | PARTS NAME | CAT. NO. | MATERIAL | Q'TY | NOTE |
|---------|------------------------|----------------|-------------------|------|--------------------|
| 1 | REEL | — | CARDBOARD | 1 | COLOR:WHITE |
| 2 | PLASTIC (EMBOSSD) TAPE | — | PET | — | COLOR:TRANSPARENCY |
| 3 | COVER | — | POLYESTER | — | COLOR:TRANSPARENCY |
| 4 | CONNECTOR | HFW__R-1ST__LF | SEE ATTACHED DWG. | 2000 | LOWER CONTACT TYPE |

NOTES

1. THIS IS PLASTIC TAPE PACKAGED CONNECTOR DESIGNED TO TERMINATE FPC/FFC AND COPES WITH AUTOMATIC MOUNTING (SMT).
2. SEE JIS C 0806 (PACKING OF ELECTRONIC COMPONENTS ON CONTINUOUS TAPES (SURFACE MOUNTING DEVICES)) FOR SHAPE AND DIMENSIONS OF PLASTIC (EMBOSSD) TAPE AND REEL.
3. E DIMENSION IS PORTION OF THE CORE.

| | | | | | | |
|-------------|----------------|--|----------|--|-------------------------------|---------|
| mat'l. code | | surface 58 / tolerance ISO 1302 ✓ / ISO 406 / ISO 1101 | | projection | product family 58NF | CODE JP |
| ltr | ecn no | dr | date | tolerances, unless otherwise specified | title | |
| A | J04-0027 | H.T. | 4/6/'04 | angles linear ±5 | 1mm SPACING SMT CONNECTOR | |
| B | J05-0056 | H.T. | 2/4/'05 | ±5' | (Cat.No. HFW__R-1STE1LF) | |
| C | J06-0413 | H.T. | 10/4/'06 | mm | scale X | |
| | | | | dr | dwg no sheet 1 of 1 size | |
| | | | | enr | JSA 95927 A4 | |
| | | | | chr | type Product Customer Drawing | |
| | | | | appd | | |
| sheet index | revision sheet | C | 1 | Rev. C | | |

SC-HFWR02 JSA95926 form: A4



| PT. NO. | PARTS NAME | CAT. NO. | MATERIAL | Q'TY | NOTE |
|---------|------------------------|-----------------|-------------------|------|--------------------|
| 1 | REEL | --- | CARDBOARD | 1 | COLOR:WHITE |
| 2 | PLASTIC (EMBOSSD) TAPE | --- | PET | --- | COLOR:TRANSPARENCY |
| 3 | COVER | --- | POLYESTER | --- | COLOR:TRANSPARENCY |
| 4 | CONNECTOR | HFW__R-2ST__-LF | SEE ATTACHED DWG. | 2000 | UPPER CONTACT TYPE |

NOTES

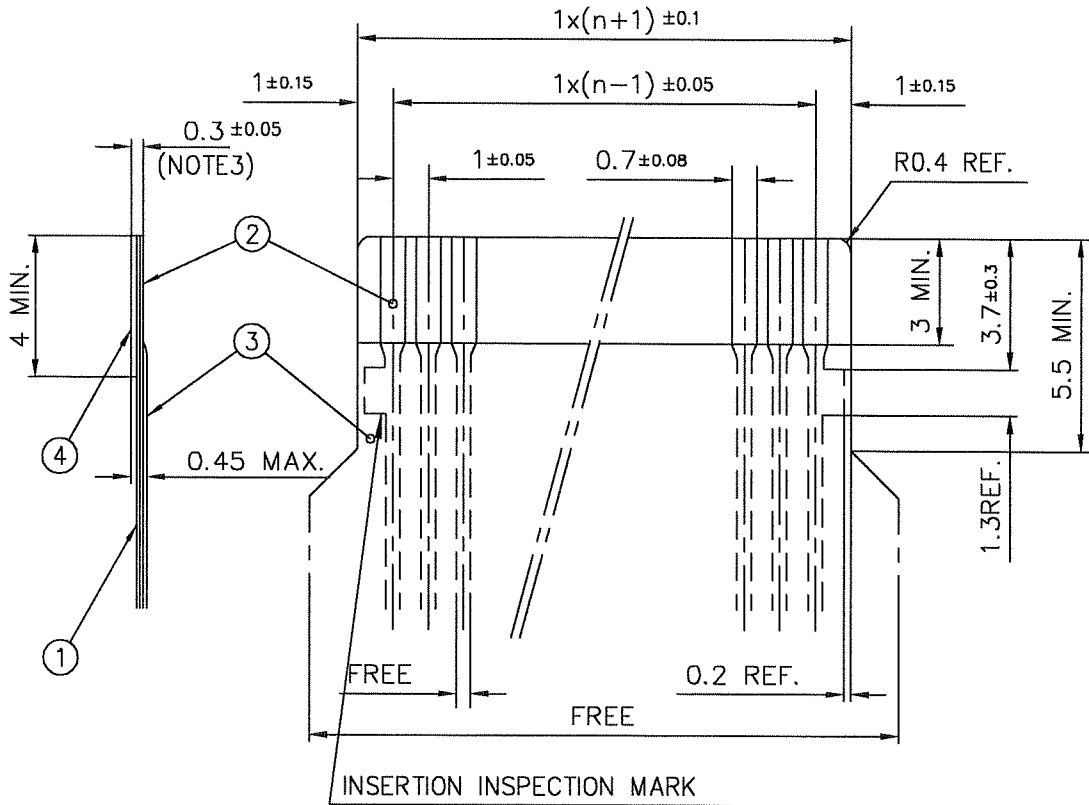
1. THIS IS PLASTIC TAPE PACKAGED CONNECTOR DESIGNED TO TERMINATE FPC/FFC AND COPES WITH AUTOMATIC MOUNTING (SMT).
2. SEE JIS C 0806 (PACKING OF ELECTRONIC COMPONENTS ON CONTINUOUS TAPES (SURFACE MOUNTING DEVICES)) FOR SHAPE AND DIMENSIONS OF PLASTIC (EMBOSSD) TAPE AND REEL.
3. E DIMENSION IS PORTION OF THE CORE.

| | | | | | | | | | | | |
|-------------|--|-----------------------|--|----------------------------|--|------------|--|---------------------------------------|--|-------------------------------|--|
| mat'l. code | | surface 58/ISO 1302 ✓ | | tolerance ISO 406 ISO 1101 | | projection | | product family 58NF | | CODE JP | |
| ltr | | ecn no | | dr | | date | | tolerances unless otherwise specified | | title | |
| A | | J04-0027 | | H.T | | 4/6/'04 | | ±5 | | 1mm SPACING SMT CONNECTOR | |
| B | | J05-0056 | | H.T | | 2/4/'05 | | mm | | (Cat.No. HFW__R-2STE1LF) | |
| C | | J06-0413 | | H.T | | 10/4/'06 | | scale X | | dwg no | |
| | | | | | | | | FCJ | | sheet 1 of 1 | |
| | | | | | | | | | | JSA 95928 | |
| | | | | | | | | | | size A4 | |
| | | | | | | | | | | type Product Customer Drawing | |
| sheet index | | revision C | | sheet 1 | | | | | | Rev. C | |

SC-HFWR02 JSA95926 form: A4

RECOMMENDED CABLE (FPC)

n : NO. OF CONDUCTORS



| PT. NO. | DESCRIPTION | MATERIAL | THICKNESS (μm) |
|---------|-----------------|--|----------------|
| 1 | BASE FILM | POLYIMIDE OR POLYESTER OR EQUIVALENT | 25 |
| 2 | CONDUCTOR | COPPER FOIL(PLATING : SOLDER 1μm MIN.) | 35 |
| 3 | OVERLAY | POLYIMIDE OR POLYESTER OR EQUIVALENT | — |
| 4 | SUPPORTING TAPE | POLYESTER OR POLYIMIDE OR EQUIVALENT | 188 |

NOTES

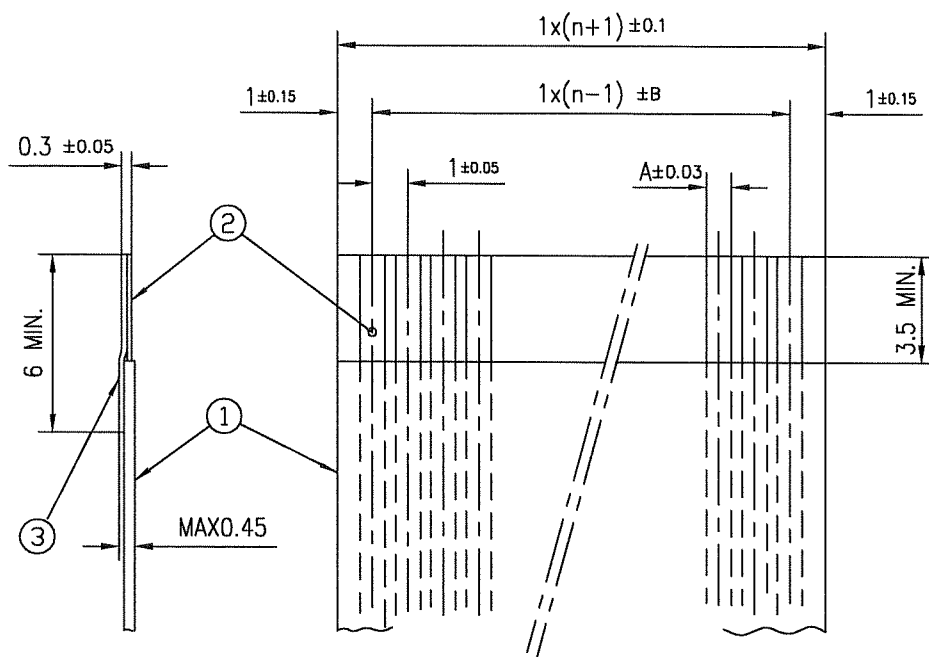
1. NO BURR AT EACH PORTION.
2. NO PEELING IN COMMON USE.
3. TOTAL THICKNESS LIMIT OF EACH MATERIAL (INCLUDING ADHESIVE AGENT) IS SPECIFIED.

| | | | | | | | | | |
|-------------|----------------|--|----------|---------------------------------------|-----------|-------------------------------|--|--------------|------|
| mat'l. code | | surface 58 / tolerance ISO 1302 ✓ / ISO 406 / ISO 1101 | | projection | | product family 58NF | | CODE JP | |
| ltr | ecn no | dr | date | tolerances unless otherwise specified | | title | | | |
| A | J06-0413 | H.T | 10/4/'06 | angles | linear | RECOMMENDED CABLE | | | |
| | | | | | | (Cat. No. HFW__R-1/2__) | | | |
| | | | | dr | 10/14/'06 | dwg no | | sheet 1 of 1 | size |
| | | | | enr | 10/15/'06 | JSA 93573 | | A4 | |
| | | | | chr | 10/12/'06 | type Product Customer Drawing | | | |
| | | | | appd | 10/12/'06 | | | | |
| sheet index | revision sheet | A | 1 | | | | | Rev. A | |

form: A4

RECOMMENDED CABLE (FFC)

n : NO. OF CONDUCTORS



| (NOTE 3) | DIMENSION A | TOLERANCE B |
|----------|-------------|-------------|
| 1 | 0.7 | 0.1 |
| 2 | 0.6 | 0.07 |

| PT. NO. | DESCRIPTION | MATERIAL | NOTE |
|---------|-----------------|---|------------------------------------|
| 1 | INSULATOR | FLAME RESISTING POLYESTER OR EQUIVALENT | _____ |
| 2 | CONDUCTOR | COPPER FOIL | PLATING: TIN OR SOLDER 1µm MIN. |
| 3 | SUPPORTING TAPE | FLAME RESISTING POLYESTER OR EQUIVALENT | _____ |

NOTES

1. NO BURR AT EACH PORTION.
2. NO PEELING IN COMMON USE.
3. BOTH COMBINATION IS ALLOWED.

| | | | | | | | | | | | |
|-------------|--|----------------|--|--|--|------------|--|---------------------|--|--|--|
| mat'l. code | | | | surface 58 / tolerance ISO 1302 ✓ / ISO 406 / ISO 1101 | | projection | | product family 58NF | | CODE JP | |
| ltr | | | | ecn no | | dr | | date | | tolerances unless otherwise specified | |
| 1 | | | | --- | | T.M | | 4/30/'02 | | angles linear | |
| A | | | | J06-0413 | | H.T | | 10/4/'06 | | mm | |
| | | | | | | | | | | scale X | |
| | | | | | | | | | | title | |
| | | | | | | | | | | RECOMMENDED CABLE (Cat. No. HFW__R-1/2__) | |
| | | | | | | | | | | dwg no sheet 1 of 1 size | |
| | | | | | | | | | | JSA 93574 A4 | |
| | | | | | | | | | | type Product Customer Drawing | |
| sheet index | | revision sheet | | A | | 1 | | | | Rev. A | |



FCIconnect.com

Copyright FCI.



Компания «Life Electronics» занимается поставками электронных компонентов импортного и отечественного производства от производителей и со складов крупных дистрибьюторов Европы, Америки и Азии.

С конца 2013 года компания активно расширяет линейку поставок компонентов по направлению коаксиальный кабель, кварцевые генераторы и конденсаторы (керамические, пленочные, электролитические), за счёт заключения дистрибьюторских договоров

Мы предлагаем:

- Конкуренспособные цены и скидки постоянным клиентам.
- Специальные условия для постоянных клиентов.
- Подбор аналогов.
- Поставку компонентов в любых объемах, удовлетворяющих вашим потребностям.
- Приемлемые сроки поставки, возможна ускоренная поставка.
- Доставку товара в любую точку России и стран СНГ.
- Комплексную поставку.
- Работу по проектам и поставку образцов.
- Формирование склада под заказчика.
- Сертификаты соответствия на поставляемую продукцию (по желанию клиента).
- Тестирование поставляемой продукции.
- Поставку компонентов, требующих военную и космическую приемку.
- Входной контроль качества.
- Наличие сертификата ISO.

В составе нашей компании организован Конструкторский отдел, призванный помогать разработчикам, и инженерам.

Конструкторский отдел помогает осуществить:

- Регистрацию проекта у производителя компонентов.
- Техническую поддержку проекта.
- Защиту от снятия компонента с производства.
- Оценку стоимости проекта по компонентам.
- Изготовление тестовой платы монтаж и пусконаладочные работы.



Тел: +7 (812) 336 43 04 (многоканальный)

Email: org@lifeelectronics.ru