



**MCP6XXX Amplifier  
Evaluation Board 4  
User's Guide**

---

**Note the following details of the code protection feature on Microchip devices:**

- Microchip products meet the specification contained in their particular Microchip Data Sheet.
- Microchip believes that its family of products is one of the most secure families of its kind on the market today, when used in the intended manner and under normal conditions.
- There are dishonest and possibly illegal methods used to breach the code protection feature. All of these methods, to our knowledge, require using the Microchip products in a manner outside the operating specifications contained in Microchip's Data Sheets. Most likely, the person doing so is engaged in theft of intellectual property.
- Microchip is willing to work with the customer who is concerned about the integrity of their code.
- Neither Microchip nor any other semiconductor manufacturer can guarantee the security of their code. Code protection does not mean that we are guaranteeing the product as "unbreakable."

Code protection is constantly evolving. We at Microchip are committed to continuously improving the code protection features of our products. Attempts to break Microchip's code protection feature may be a violation of the Digital Millennium Copyright Act. If such acts allow unauthorized access to your software or other copyrighted work, you may have a right to sue for relief under that Act.

---

Information contained in this publication regarding device applications and the like is provided only for your convenience and may be superseded by updates. It is your responsibility to ensure that your application meets with your specifications. MICROCHIP MAKES NO REPRESENTATIONS OR WARRANTIES OF ANY KIND WHETHER EXPRESS OR IMPLIED, WRITTEN OR ORAL, STATUTORY OR OTHERWISE, RELATED TO THE INFORMATION, INCLUDING BUT NOT LIMITED TO ITS CONDITION, QUALITY, PERFORMANCE, MERCHANTABILITY OR FITNESS FOR PURPOSE. Microchip disclaims all liability arising from this information and its use. Use of Microchip devices in life support and/or safety applications is entirely at the buyer's risk, and the buyer agrees to defend, indemnify and hold harmless Microchip from any and all damages, claims, suits, or expenses resulting from such use. No licenses are conveyed, implicitly or otherwise, under any Microchip intellectual property rights.

**Trademarks**

The Microchip name and logo, the Microchip logo, Accuron, dsPIC, KEELOQ, KEELOQ logo, microID, MPLAB, PIC, PICmicro, PICSTART, PRO MATE, rPIC and SmartShunt are registered trademarks of Microchip Technology Incorporated in the U.S.A. and other countries.


AmpLab, FilterLab, Linear Active Thermistor, Migratable Memory, MXDEV, MXLAB, SEEVAL, SmartSensor and The Embedded Control Solutions Company are registered trademarks of Microchip Technology Incorporated in the U.S.A.

Analog-for-the-Digital Age, Application Maestro, CodeGuard, dsPICDEM, dsPICDEM.net, dsPICworks, dsSPEAK, ECAN, ECONOMONITOR, FanSense, FlexROM, fuzzyLAB, In-Circuit Serial Programming, ICSP, ICEPIC, Mindi, MiWi, MPASM, MPLAB Certified logo, MPLIB, MPLINK, PCKit, PICDEM, PICDEM.net, PICLAB, PICTail, PowerCal, PowerInfo, PowerMate, PowerTool, REAL ICE, rLAB, Select Mode, Smart Serial, SmartTel, Total Endurance, UNI/O, WiperLock and ZENA are trademarks of Microchip Technology Incorporated in the U.S.A. and other countries.

SQTP is a service mark of Microchip Technology Incorporated in the U.S.A.

All other trademarks mentioned herein are property of their respective companies.

© 2007, Microchip Technology Incorporated, Printed in the U.S.A., All Rights Reserved.

 Printed on recycled paper.

**QUALITY MANAGEMENT SYSTEM  
CERTIFIED BY DNV  
== ISO/TS 16949:2002 ==**

*Microchip received ISO/TS-16949:2002 certification for its worldwide headquarters, design and wafer fabrication facilities in Chandler and Tempe, Arizona; Gresham, Oregon and design centers in California and India. The Company's quality system processes and procedures are for its PIC® MCUs and dsPIC® DSCs, KEELOQ® code hopping devices, Serial EEPROMs, microperipherals, nonvolatile memory and analog products. In addition, Microchip's quality system for the design and manufacture of development systems is ISO 9001:2000 certified.*



# MCP6XXX AMPLIFIER EVALUATION BOARD 4 USER'S GUIDE

---

---

## Table of Contents

---

---

<b>Preface</b> .....	<b>1</b>
Introduction.....	1
Document Layout .....	1
Conventions Used in this Guide .....	2
Recommended Reading.....	3
The Microchip Web Site .....	3
Customer Support .....	3
Document Revision History .....	3
<b>Chapter 1. Product Overview</b> .....	<b>5</b>
1.1 Introduction .....	5
1.2 MCP6XXX Amplifier Evaluation Board 4 Kit Contents .....	5
1.3 MCP6XXX Amplifier Evaluation Board 4 Description .....	6
<b>Chapter 2. Installation and Operation</b> .....	<b>7</b>
2.1 Introduction .....	7
2.2 Required Tools .....	7
2.3 MCP6XXX Amplifier Evaluation Board 4 Set-up .....	7
2.4 MCP6XXX Amplifier Evaluation Board 4 Operation .....	11
<b>Appendix A. Schematic and Layouts</b> .....	<b>17</b>
A.1 Introduction .....	17
A.2 Board - Schematic .....	18
A.3 Board - Top Silk and Metal Layers .....	19
A.4 Board - Top Metal Layer .....	20
A.5 Board - Bottom Metal Layer .....	21
<b>Appendix B. Bill of Materials (BOM)</b> .....	<b>23</b>
B.1 MCP6XXX Amplifier Evaluation Board 4 BOM .....	23
<b>Worldwide Sales and Service</b> .....	<b>27</b>

# MCP6XXX Amplifier Evaluation Board 4 User's Guide

---

---

NOTES:



# MCP6XXX AMPLIFIER EVALUATION BOARD 4 USER'S GUIDE

## Preface

### NOTICE TO CUSTOMERS

All documentation becomes dated, and this manual is no exception. Microchip tools and documentation are constantly evolving to meet customer needs, so some actual dialogs and/or tool descriptions may differ from those in this document. Please refer to our web site ([www.microchip.com](http://www.microchip.com)) to obtain the latest documentation available.

Documents are identified with a "DS" number. This number is located on the bottom of each page, in front of the page number. The numbering convention for the DS number is "DSXXXXA", where "XXXX" is the document number and "A" is the revision level of the document.

For the most up-to-date information on development tools, see the MPLAB® IDE on-line help. Select the Help menu, and then Topics to open a list of available on-line help files.

## INTRODUCTION

This chapter contains general information that will be useful to know before using the MCP6XXX Amplifier Evaluation Board 4. Items discussed in this chapter include:

- Document Layout
- Conventions Used in this Guide
- Recommended Reading
- The Microchip Web Site
- Customer Support
- Document Revision History

## DOCUMENT LAYOUT

This document describes how to use the MCP6XXX Amplifier Evaluation Board 4. The manual layout is as follows:

- **Chapter 1. "Product Overview"** - Provides the important information about the MCP6XXX Amplifier Evaluation Board 4.
- **Chapter 2. "Installation and Operation"** – Covers the installation and operation of the MCP6XXX Amplifier Evaluation Board 4. It lists the required tools, shows how to set up the board, and demonstrates how to verify the amplifier operation.
- **Appendix A. "Schematic and Layouts"** – Shows the schematic and board layouts for the MCP6XXX Amplifier Evaluation Board 4.
- **Appendix B. "Bill of Materials (BOM)"** – Lists the parts used to build the MCP6XXX Amplifier Evaluation Board 4.

# MCP6XXX Amplifier Evaluation Board 4 User's Guide

## CONVENTIONS USED IN THIS GUIDE

This manual uses the following documentation conventions:

### DOCUMENTATION CONVENTIONS

Description	Represents	Examples
<b>Arial font:</b>		
Italic characters	Referenced books	<i>MPLAB® IDE User's Guide</i>
	Emphasized text	...is the <i>only</i> compiler...
Initial caps	A window	the Output window
	A dialog	the Settings dialog
	A menu selection	select Enable Programmer
Quotes	A field name in a window or dialog	"Save project before build"
Underlined, italic text with right angle bracket	A menu path	<u>File&gt;Save</u>
Bold characters	A dialog button	Click <b>OK</b>
	A tab	Click the <b>Power</b> tab
N'Rnnnn	A number in verilog format, where N is the total number of digits, R is the radix and n is a digit.	4'b0010, 2'hF1
Text in angle brackets < >	A key on the keyboard	Press <Enter>, <F1>
<b>Courier New font:</b>		
Plain Courier New	Sample source code	#define START
	Filenames	autoexec.bat
	File paths	c:\mcc18\h
	Keywords	_asm, _endasm, static
	Command-line options	-Opa+, -Opa-
	Bit values	0, 1
	Constants	0xFF, 'A'
Italic Courier New	A variable argument	<i>file.o</i> , where <i>file</i> can be any valid filename
Square brackets [ ]	Optional arguments	mcc18 [options] <i>file</i> [options]
Curly brackets and pipe character: {   }	Choice of mutually exclusive arguments; an OR selection	errorlevel {0 1}
Ellipses...	Replaces repeated text	var_name [, var_name...]
	Represents code supplied by user	void main (void) { ... }

## RECOMMENDED READING

This user's guide describes how to use MCP6XXX Amplifier Evaluation Board 4. Other useful documents are listed below. The following Microchip documents are available and recommended as supplemental reference resources.

**MCP6021/2/3/4 Data Sheet, “Rail-to-Rail Input/Output, 10 MHz Op Amps” (DS21685)**

This data sheet provides detailed information regarding the MCP602X product family.

## THE MICROCHIP WEB SITE

Microchip provides online support via our web site at [www.microchip.com](http://www.microchip.com). This web site is used as a means to make files and information easily available to customers. Accessible by using your favorite Internet browser, the web site contains the following information:

- **Product Support** – Data sheets and errata, application notes and sample programs, design resources, user's guides and hardware support documents, latest software releases and archived software
- **General Technical Support** – Frequently Asked Questions (FAQs), technical support requests, online discussion groups, Microchip consultant program member listing
- **Business of Microchip** – Product selector and ordering guides, latest Microchip press releases, listing of seminars and events, listings of Microchip sales offices, distributors and factory representatives

## CUSTOMER SUPPORT

Users of Microchip products can receive assistance through several channels:

- Distributor or Representative
- Local Sales Office
- Field Application Engineer (FAE)
- Technical Support
- Development Systems Information Line

Customers should contact their distributor, representative or field application engineer for support. Local sales offices are also available to help customers. A listing of sales offices and locations is included in the back of this document.

Technical support is available through the web site at: <http://support.microchip.com>

## DOCUMENT REVISION HISTORY

**Revision A (August 2007)**

- Initial Release of this Document.

# MCP6XXX Amplifier Evaluation Board 4 User's Guide

---

---

NOTES:



## Chapter 1. Product Overview

### 1.1 INTRODUCTION

The MCP6XXX Amplifier Evaluation Board 4 is described by the following:

- Assembly # : 114-00154
- Order # : MCP6XXXEV-AMP4
- Name: MCP6XXX Amplifier Evaluation Board 4

Items discussed in this chapter include:

- **Section 1.2 “MCP6XXX Amplifier Evaluation Board 4 Kit Contents”**
- **Section 1.3 “MCP6XXX Amplifier Evaluation Board 4 Description”**

### 1.2 MCP6XXX AMPLIFIER EVALUATION BOARD 4 KIT CONTENTS

- MCP6XXX Amplifier Evaluation Board 4 - One partially assembled board
- Important Information “Read First”
- Accessory Bag - Contains loose parts for populating sockets on board
- Analog and Interface Products Demonstration Boards CD-ROM (DS21912)
  - MCP6XXX Amplifier Evaluation Board 4 User's Guide (DS51681)



**FIGURE 1-1:** MCP6XXX Amplifier Evaluation Board 4 Kit.

# MCP6XXX Amplifier Evaluation Board 4 User's Guide

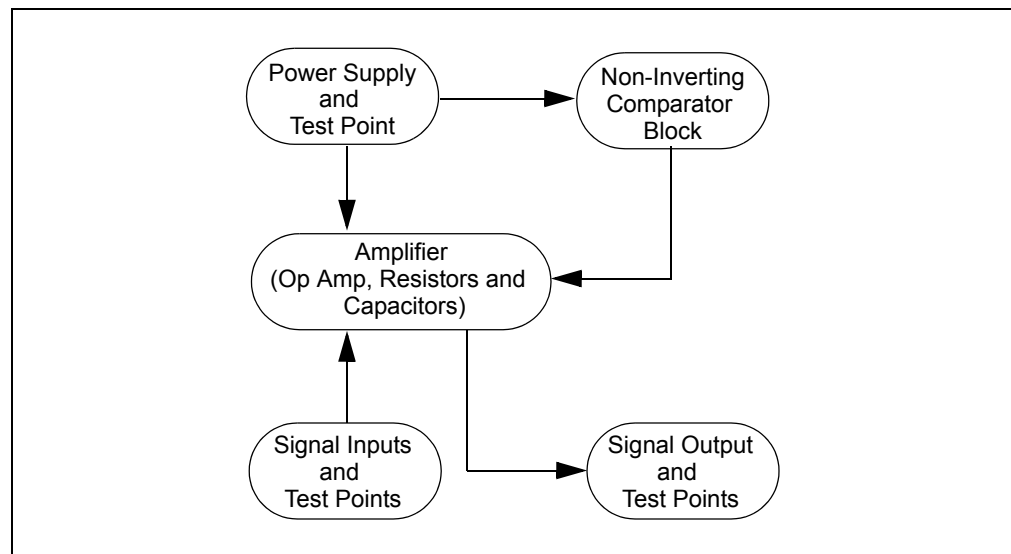
## 1.3 MCP6XXX AMPLIFIER EVALUATION BOARD 4 DESCRIPTION

MCP6XXX Amplifier Evaluation Board 4 is intended to support the inverting integrator circuit.

The MCP6XXX Amplifier Evaluation Board 4 has the following features:

- All amplifier resistors and capacitors are socketed
- Supports all Microchip single op amps
  - PDIP-8 package (e.g., MCP6021) are socketed
  - SOIC-8 package can be accommodated; see **Section 2.4.3 “Amplifier Modifications Using 8-Pin SOIC Op Amps”**
- Test points for connecting lab equipment
- Single supply configuration

Figure 1-2 shows the block diagram of the MCP6XXX Amplifier Evaluation Board 4. Lab equipment can be attached (via test points) to measure the amplifier response.



**FIGURE 1-2:** MCP6XXX Amplifier Evaluation Board 4 Block Diagram.

**Chapter 2. Installation and Operation**

**2.1 INTRODUCTION**

This chapter shows how to set up the MCP6XXX Amplifier Evaluation Board 4 and verify its operation. This chapter includes the following topics:

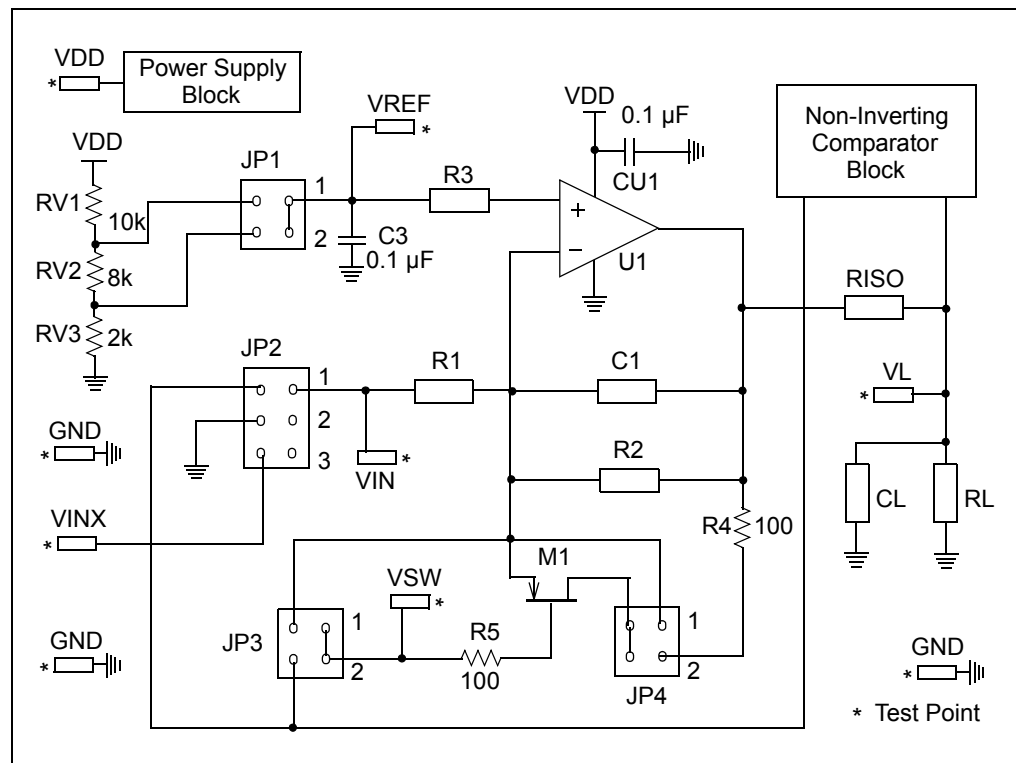
- Required Tools
- MCP6XXX Amplifier Evaluation Board 4 Set-Up
- MCP6XXX Amplifier Evaluation Board 4 Operation

**2.2 REQUIRED TOOLS**

- Lab power supply
- Lab signal source (e.g., function generator)
- Lab measurement equipment (e.g., oscilloscope)

**2.3 MCP6XXX AMPLIFIER EVALUATION BOARD 4 SET-UP**

The MCP6XXX Amplifier Evaluation Board 4 is designed to demonstrate an inverting integrator using one op amp and supporting circuitry. This section details the conversion of the topology to the MCP6XXX Amplifier Evaluation Board 4. Figure 2-1 shows the circuit diagram for the board.



**FIGURE 2-1:** MCP6XXX Amplifier Evaluation Board 4 Circuit Diagram.

# MCP6XXX Amplifier Evaluation Board 4 User's Guide

The power supply voltage needs to be in the allowed range for the installed operational amplifiers. Any of Microchip's op amps that operate below 5.5V can be used. Moreover, the power supply is protected by a zener diode with nominal voltage 6.2V and bypassed by a 1.0  $\mu\text{F}$  capacitor. (See **Figure 2-3: "Power Supply Block."**)

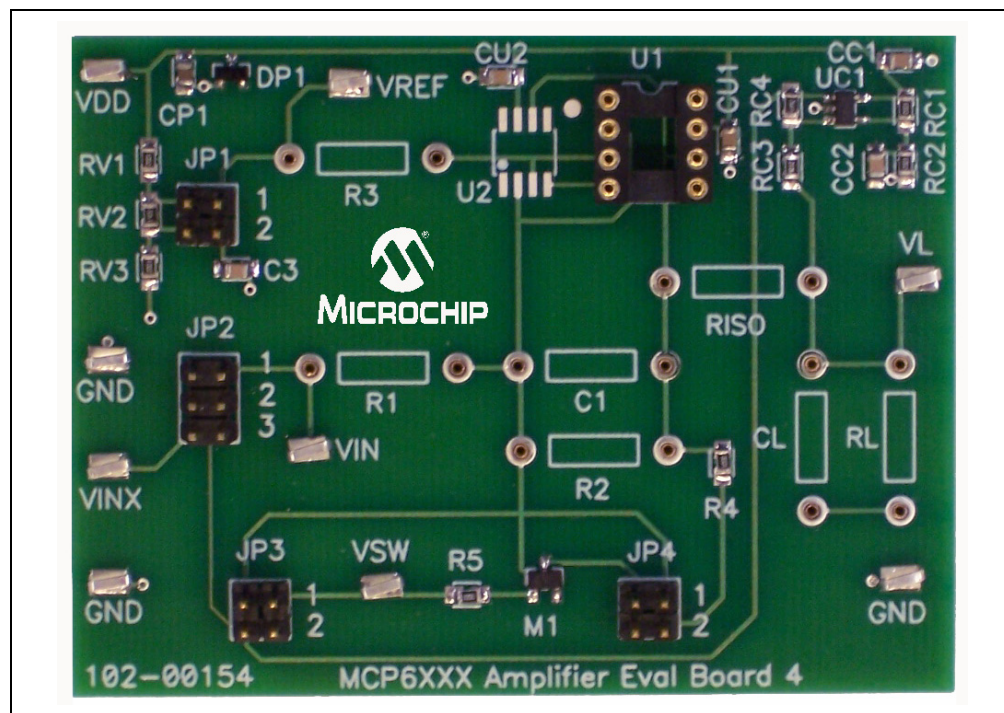
The output load consists of a capacitor ( $C_L$ ) and two resistors ( $R_L$ ,  $R_{ISO}$ ).  $R_{ISO}$  is used to stabilize the amplifier when it drives a large capacitive load.  $R_{ISO}$  is a short circuit ( $0\Omega$ ) when  $C_L$  is small.

The non-inverting comparator provides two trip points which are at  $0.8V_{DD}$  and  $0.2V_{DD}$ . (See **Section Figure 2-4: "Non-Inverting Comparator Block."**)

The resistors that are part of an amplifier are placed in pin sockets which are labeled. The op amps are bypassed by 0.1  $\mu\text{F}$  capacitors and the single op amp U1 can have either a PDIP-8 or SOIC-8 package.

- PDIP-8 packages are inserted into the DIP-8 socket to the right of the U1 label.
- SOIC-8 packages can be accommodated; see **Section 2.4.3 "Amplifier Modifications Using 8-Pin SOIC Op Amps"**.

The (surface mount) test points for power supply, ground, input signal and output signal allow lab equipment to be connected to the board. The MCP6XXX Amplifier Evaluation Board 4 top view is shown in Figure 2-2.

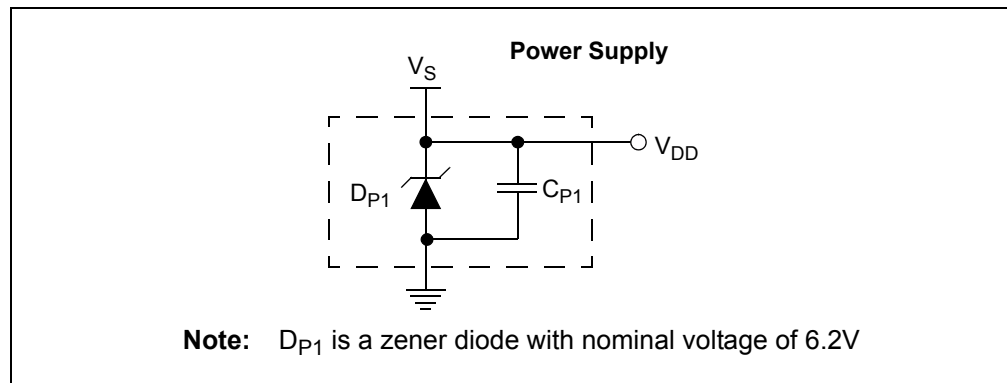


**FIGURE 2-2:** MCP6XXX Amplifier Evaluation Board 4 Top View.

## 2.3.1 Top Level Amplifier Circuit Diagrams

### 2.3.1.1 POWER SUPPLY BLOCK

The power supply is protected by a zener diode and bypassed by a capacitor. Figure 2-3 shows the circuit diagram for the power supply.  $C_{P1} = 1.0 \mu\text{F}$ .

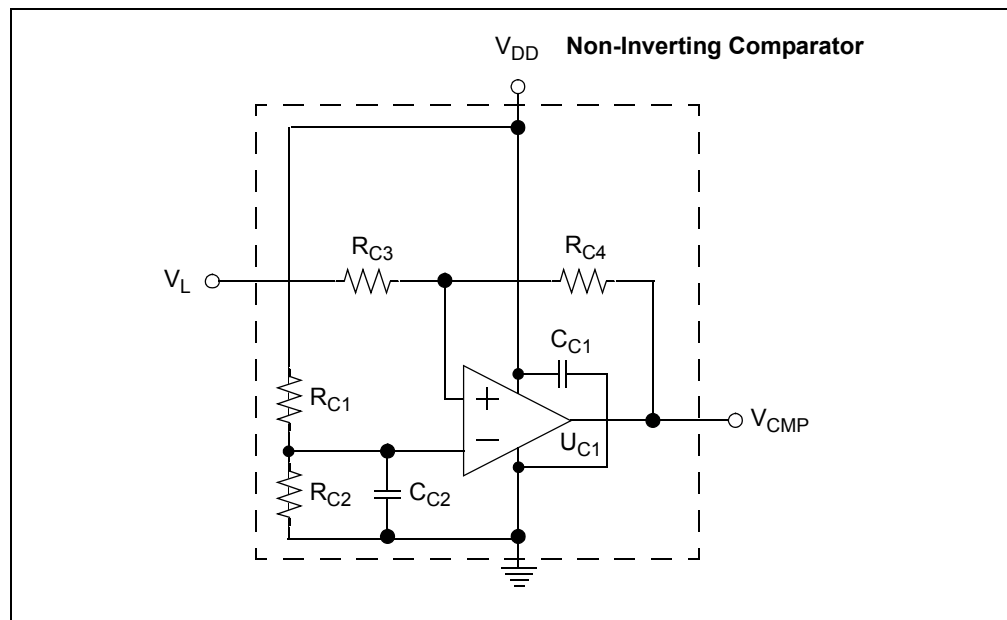


**FIGURE 2-3:** Power Supply Block.

### 2.3.1.2 NON-INVERTING COMPARATOR

Figure 2-4 shows the circuit diagram for the non-inverting comparator block. The non-inverting comparator's trip points are  $0.8V_{DD}$  and  $0.2V_{DD}$ .

$R_{C1} = R_{C2} = 10.0 \text{ k}\Omega$ ,  $R_{C3} = 30.0 \text{ k}\Omega$ ,  $R_{C4} = 50.0 \text{ k}\Omega$ ,  $C_{C1} = C_{C2} = 0.1 \mu\text{F}$ .



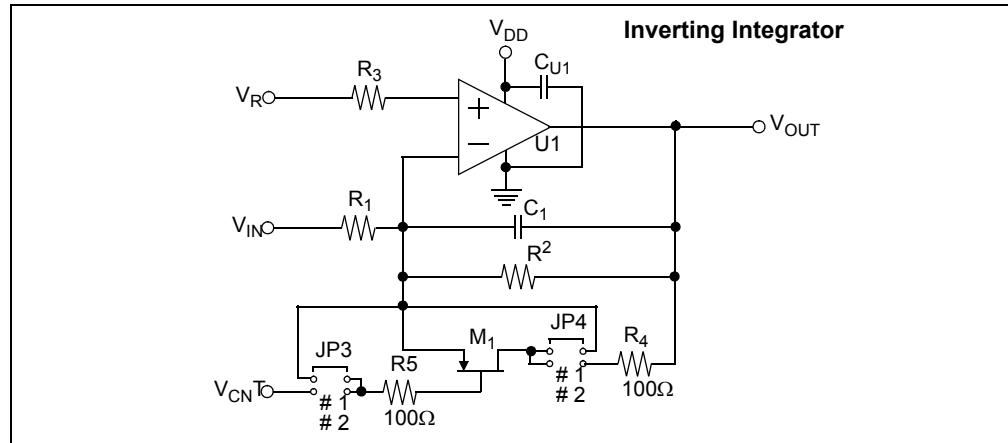
**FIGURE 2-4:** Non-Inverting Comparator Block.

# MCP6XXX Amplifier Evaluation Board 4 User's Guide

## 2.3.2 Inverting Integrator

- It integrates and inverts a voltage with an integrating frequency  $\omega = 1/R_1C_1$  (rad/s). Additional components control output clipping (wind-up) and initialization of the integrating capacitor ( $C_1$ ). Refer to Figure 2-1.
- Figure 2-5 shows the circuit diagram for the inverting integrator block.  
 $C_{U1} = 0.1 \mu\text{F}$ ,  $R_4 = R_5 = 100.0\Omega$ ,  $M_1$  is N-MOSFET,  $R_3 = R_1//R_2$

- Note 1:** Adding  $R_2$  to avoid the integrator output clipping at DC.  
**2:** Adding  $R_3$  to minimize the output error due to the input bias current



**FIGURE 2-5:** Inverting Integrator Block.

Table 2-1 shows the jumper positions and the corresponding effects

**TABLE 2-1: JUMPER POSITIONS AND EFFECTS**

Jumper	Position	Effect
JP <sub>1</sub>	1	Set the Input Reference ( $V_{REF}$ ) to $0.5V_{DD}$
	2	Set the Input Reference ( $V_{REF}$ ) to $0.1V_{DD}$
JP <sub>2</sub>	1	Drive Integrator with Comparator
	2	Ground Integrator's Resistor (constant input current)
	3	Drive Integrator with External Source
JP <sub>3</sub> , JP <sub>4</sub>	1	Ground (de-activate) Integrator's Reset Switch ( $M_1$ )
	2	Drive Integrator's Reset Switch ( $M_1$ ) with Comparator

Table 2-2 shows the integrator control strategies

**TABLE 2-2: INTEGRATOR CONTROL STRATEGY**

Integrator Control Strategy	Jumper Positions				Integrator's Input Voltage	R2 (Integrator)
	JP1	JP2	JP3	JP4		
Feedback Loop <sup>(1)</sup>	1	1	1	1	VCMP (internal)	open
	2	1	1	1		
Reset Switch <sup>(2)</sup>	2	2	2	2	GND (internal)	open
Stand Alone	1	3	1	1	VINX	>> R1
	2	3	1	1		

- Note 1:** The circuit shown uses a non-inverting comparator to close the feedback loop.  
**2:** The reset switch (MOSFET) in the circuit is controlled by a non-inverting comparator.

## 2.4 MCP6XXX AMPLIFIER EVALUATION BOARD 4 OPERATION

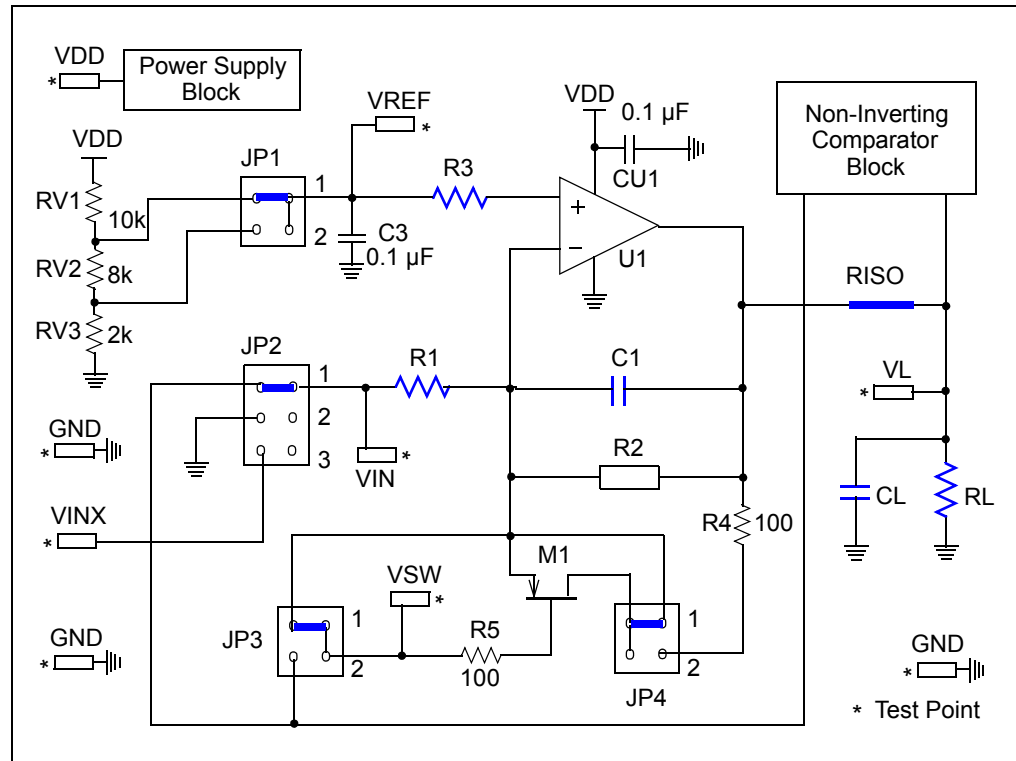
Items discussed in this section include:

- Building the Amplifier
- Testing the Amplifier
- Amplifier Modification: Using 8-Pin SOIC Op Amps

### 2.4.1 Building the Amplifier

This inverting integrator is described as follows:

- Power Supply  $V_{DD}$  is 5.0V
- Load Capacitance  $C_L$  is 56 pF
- Load Resistance  $R_L$  is 1.6 k $\Omega$
- $R_1 = 8.06$  k $\Omega$ ,  $R_2$  is open,  $R_3 = 8.06$  k $\Omega$ ,  $C_1 = 1$   $\mu$ F,  $R_{ISO} = 0\Omega$
- Input Reference  $V_{REF} = 0.5V_{DD}$
- Integrator Control Strategy: Feedback Loop (JP1: Position 1, JP2: Position 1, JP3: Position 1, JP4: Position 1)
- The fully assembled inverting integrator is shown in Figure 2-6.

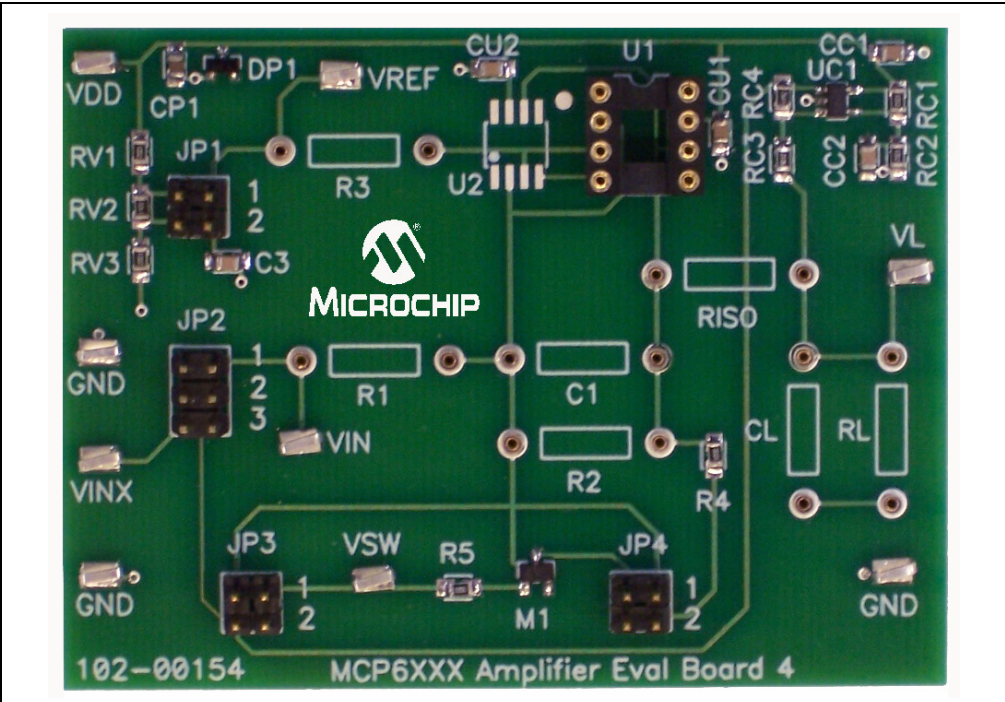


**FIGURE 2-6:** Inverting Integrator Example Supported by the MCP6XXX Amplifier Evaluation Board 4.



# MCP6XXX Amplifier Evaluation Board 4 User's Guide

The fully assembled MCP6XXX Amplifier Evaluation Board 4 top view is shown in Figure 2-7 (without any user selected components).



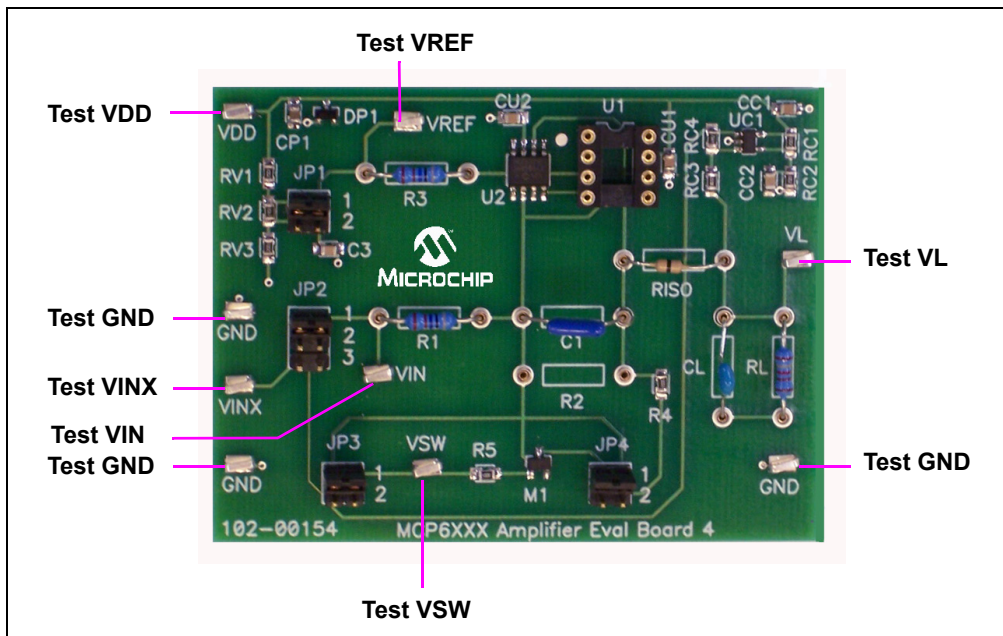
**FIGURE 2-7:** Picture of the Inverting Integrator Supported by the MCP6XXX Amplifier Evaluation Board 4.



## 2.4.2 Testing the Amplifier

### 2.4.2.1 CHECKING THE TEST POINTS

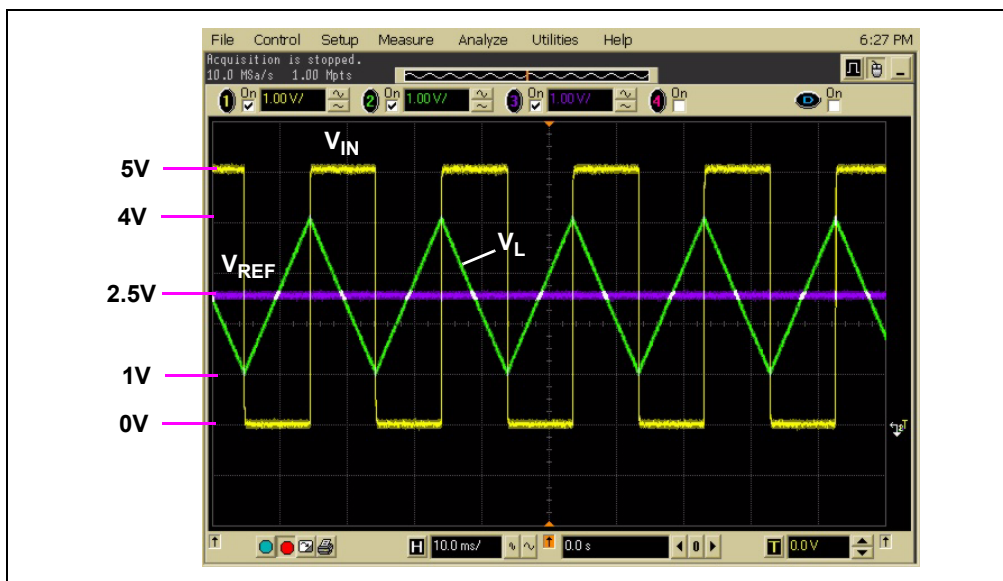
The (surface mount) test points for power supply, ground, input signal and output signal allow lab equipment to be connected to the board. Figure 2-8 shows the test points to check.



**FIGURE 2-8:** Checking the Test Points.

### 2.4.2.2 INVERTING INTEGRATOR RESPONSE

The MCP6021 op amp, 1% resistors, and 5% capacitors were used to build an inverting integrator circuit. The measured response with feedback control strategy is shown in Figure 2-9.



**FIGURE 2-9:** Measured Output Response.

# MCP6XXX Amplifier Evaluation Board 4 User's Guide

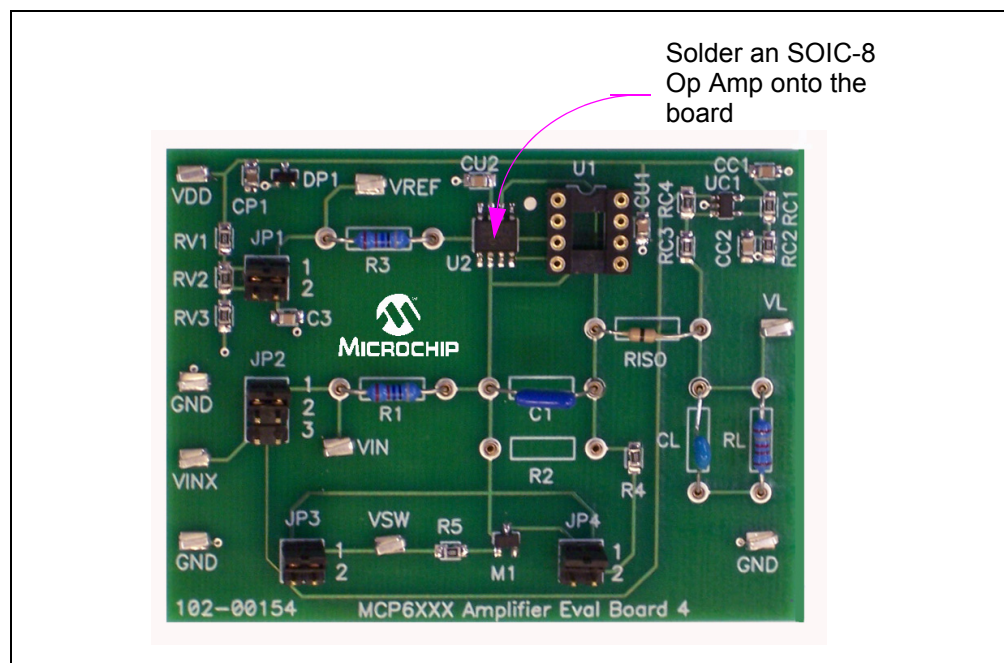
## 2.4.3 Amplifier Modifications Using 8-Pin SOIC Op Amps

There are two options available when using single op amps in SOIC-8 packages (150 mil wide):

- Soldering onto the MCP6XXX Amplifier Evaluation Board 4, or
- Soldering it onto a separate board which is connected to the DIP-8 socket

**Note:** The DIP-8 socket must be empty; only one op amp can be used at a time.

Figure 2-10 shows a SOIC-8 op amp soldered onto the MCP6XXX Amplifier Evaluation Board 4.

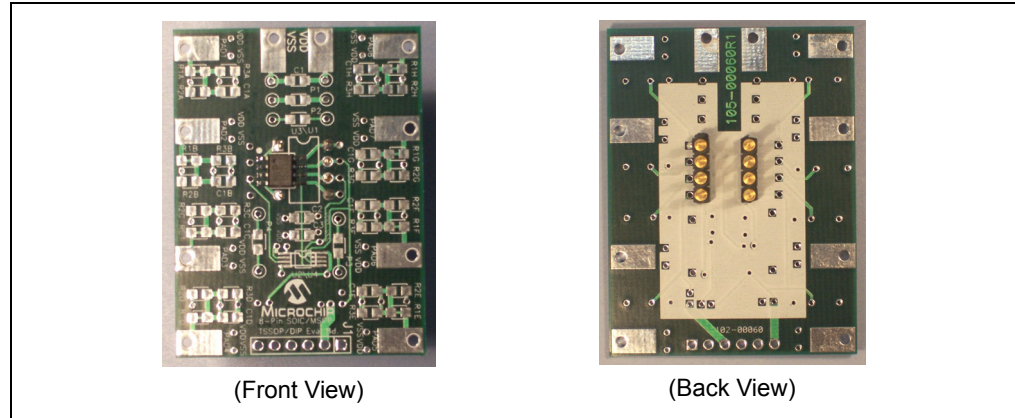


**FIGURE 2-10:** Op Amp in SOIC-8 package soldered onto MCP6XXX Amplifier Evaluation Board 4.

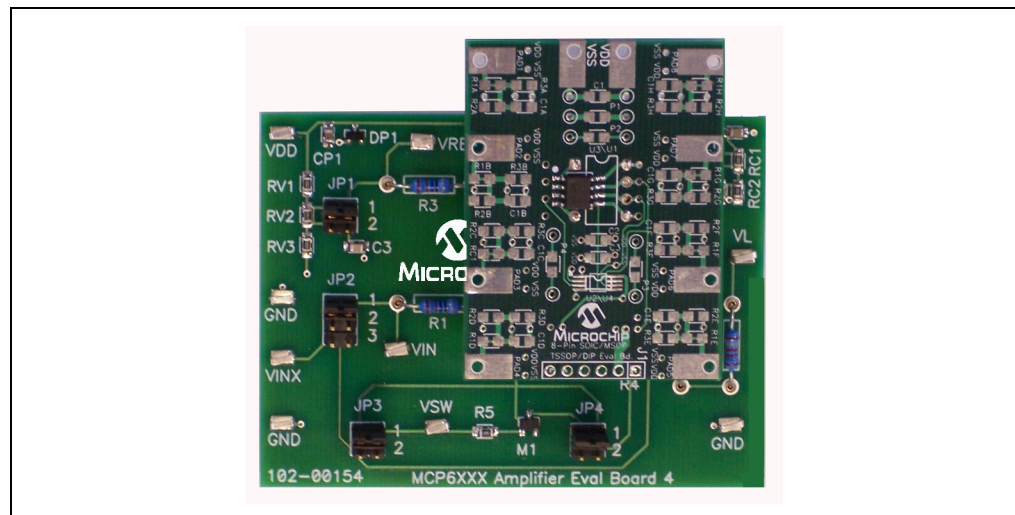
Figure 2-11 shows a SOIC-8 op amp and a DIP-8 socket, soldered onto the 8-Pin SOIC/MSOP/TSSOP/DIP Evaluation Board available from Microchip Technology Inc. (order # SOIC8EV). The two interconnect strips on the bottom are Samtec part # BBS-14-T-B or equivalent and are soldered into the through holes for the DIP-8 socket. Figure 2-12 shows this board plugged into the MCP6XXX Amplifier Evaluation Board 4.

**Note:** Insert the interconnect strips into the DIP-8 socket on the MCP6XXX Amplifier Evaluation Board 4. Place the SOIC8EV board on the top of the interconnect strips with the same pin orientation. Now solder the strips to the top board; this procedure ensures correct alignment of the strips. Clip the pins flush with the top surface of the SOIC8EV board, then solder the SOIC-8 op amp on the top.

# Installation and Operation



**FIGURE 2-11:** Op Amp in SOIC-8 package soldered to a separate board.



**FIGURE 2-12:** Connecting Adaptor Board onto MCP6XXX Amplifier Evaluation Board 4.

# MCP6XXX Amplifier Evaluation Board 4 User's Guide

---

NOTES:



# MCP6XXX AMPLIFIER EVALUATION BOARD 4 USER'S GUIDE

---

---

## Appendix A. Schematic and Layouts

---

---

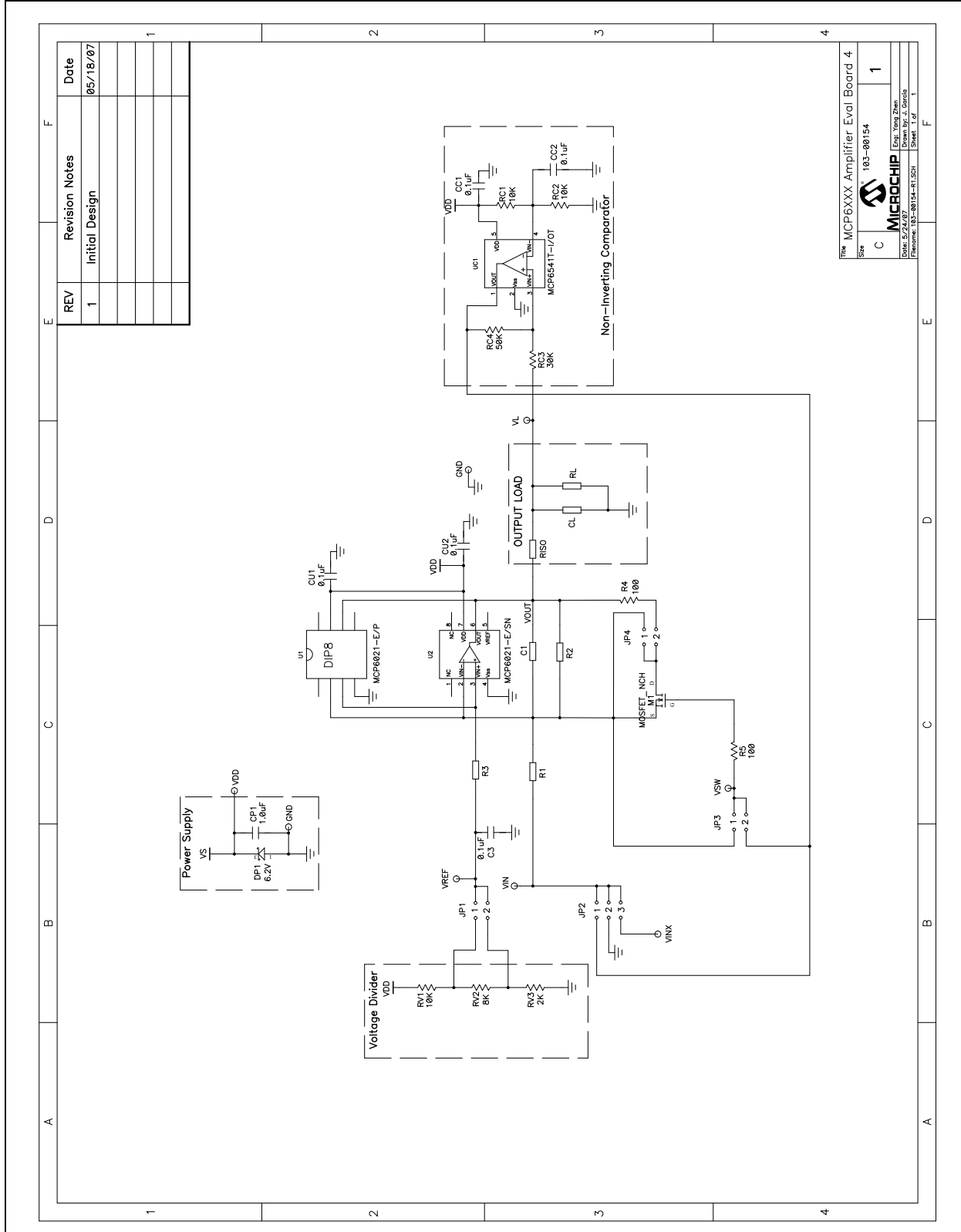
### A.1 INTRODUCTION

This appendix contains the following schematics and layouts for the MCP6XXX Amplifier Evaluation Board 4:

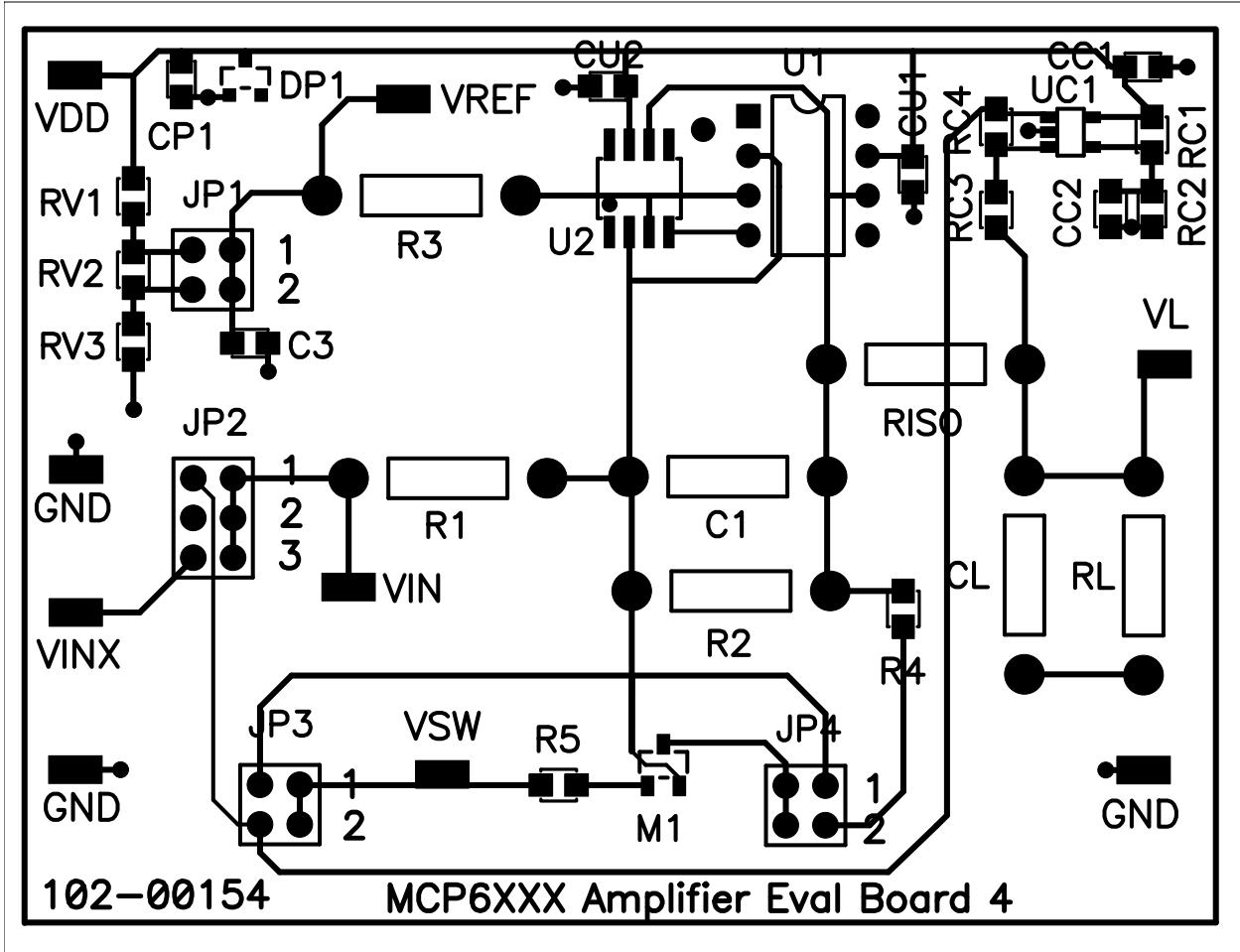
- Board – Schematic
- Board – Top Silk and Metal Layers
- Board – Top Metal Layer
- Board – Bottom Metal Layer

# MCP6XXX Amplifier Evaluation Board 4 User's Guide

## A.2 BOARD - SCHEMATIC

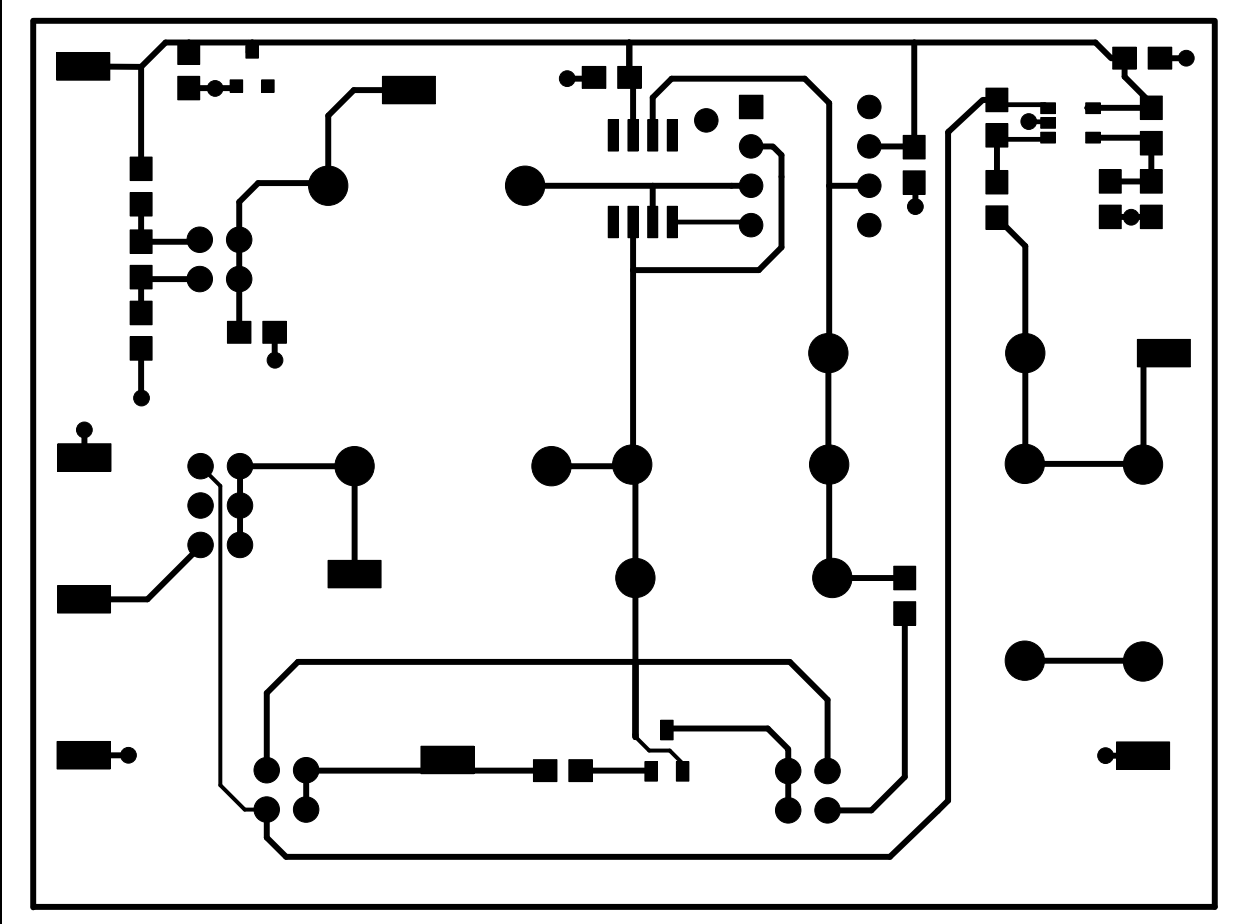


## A.3 BOARD - TOP SILK AND METAL LAYERS



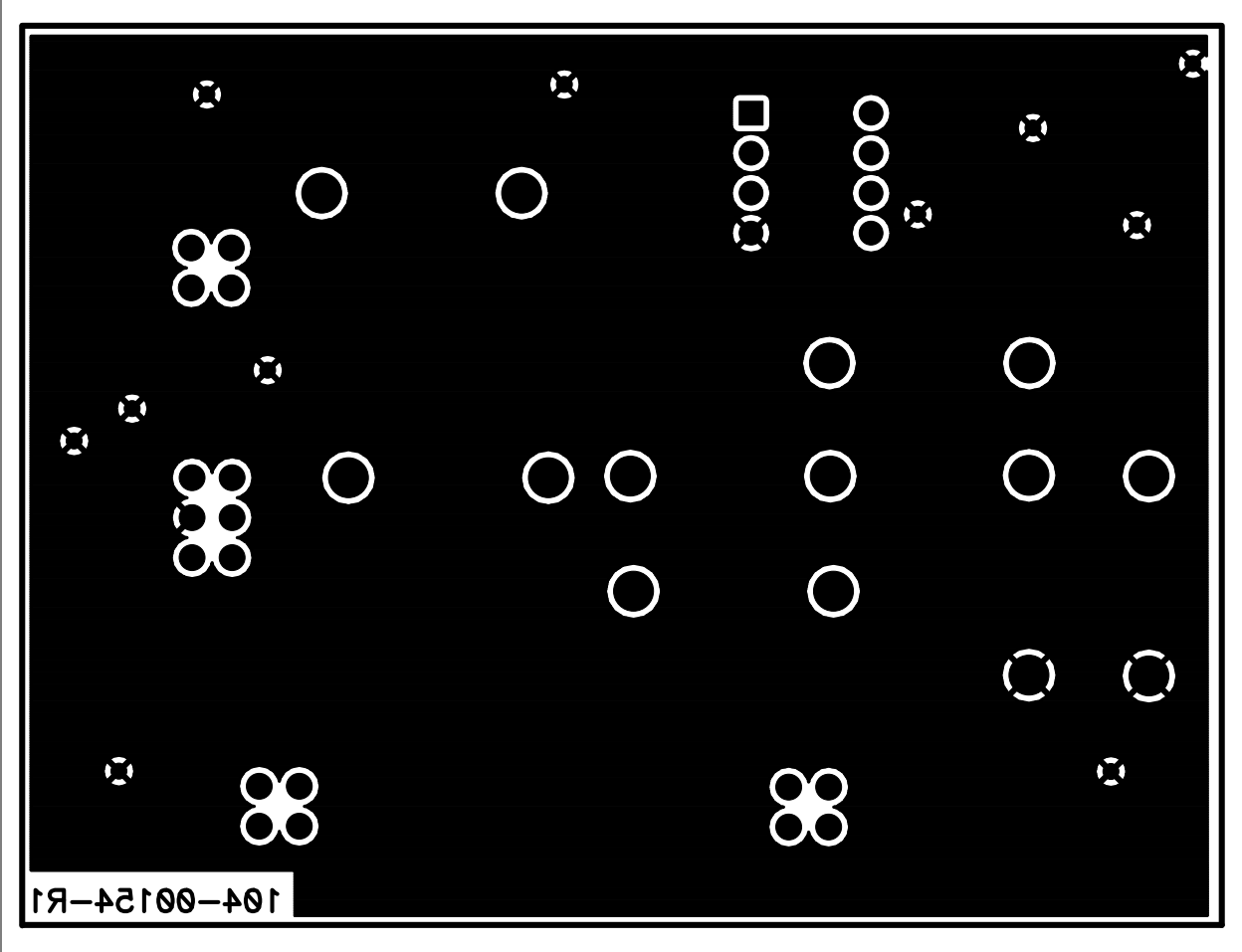
# MCP6XXX Amplifier Evaluation Board 4 User's Guide

## A.4 BOARD - TOP METAL LAYER





A.5 BOARD - BOTTOM METAL LAYER



# MCP6XXX Amplifier Evaluation Board 4 User's Guide

---

---

NOTES:

**Appendix B. Bill of Materials (BOM)**

**B.1 MCP6XXX AMPLIFIER EVALUATION BOARD 4 BOM**

The Bill of Materials (BOM) in Table B-1 corresponds to Figure 2-1 and Figure 2-2. Unpopulated parts are in Table B-2.

**TABLE B-1: BILL OF MATERIALS (102-00154R1) (NOTE 1)**

Qty	Reference	Description	Manufacturer	Part Number
1	CP1	CAP CERAMIC 1UF 10% 25V X5R 0805	Panasonic® - ECG	ECJ-2FB1E105K
5	CC1, CC2, C3, CU1, CU2	CAP CERAMIC .1UF 10% 25V X7R 0805	Panasonic - ECG	ECJ-2VB1E104K
1	DP1	DIODE ZENER 6.2V 350MW SOT-23	Fairchild Semiconductor®	BZX84C6V2
4	EA Corner	BUMPER CLEAR .375 x .15" DOME	Richco Plastic Co	RBS-12
2	JP1, JP3	CONN HEADR BRKWAY .100 04POS STR	Tyco® Electronics/Amp	9-146258-0-02
1	JP2	CONN HEADR BRKWAY .100 06POS STR	Tyco Electronics/Amp	4-103327-0-06
1	M1	MOSFET N-CH 30V 500MA SOT-346	Rohm	RJK005N03T146
1	PCB	RoHS Compliant Bare PCB, MCP6XXX Amplifier Eval Board #4	—	104-00154
14	Pin Socket	PIN RECPT .015/.025 DIA 0667 SER	Mill-Max®	0667-0-15-01-30-27-10-0
3	RC1, RC2, RV1	RES 10.0K OHM 1/8W 1% 0805 SMD	Panasonic - ECG	ERJ-6ENF1002V
1	RC3	RES 30.1K OHM 1/8W 1% 0805 SMD	Panasonic - ECG	ERJ-6ENF3012V
1	RC4	RES 49.9K OHM 1/8W 1% 0805 SMD	Panasonic - ECG	ERJ-6ENF4992V
1	RV2	RES 8.06K OHM 1/8W 1% 0805 SMD	Panasonic - ECG	ERJ-6ENF8061V
1	RV3	RES 2.0K OHM 1/8W 1% 0805 SMD	Panasonic - ECG	ERJ-6ENF2001V
2	R4,R5	RES 100 OHM 1/8W 1% 0805 SMD	Panasonic - ECG	ERJ-6ENF1000V
3	Shunt for JP1, JP2, JP3	SOCKET,SHORT BLKS W TAB BLK	Jameco Value-Pro	2012JH-R
9	Test Points	PC TEST POINT COMPACT SMT	Keystone Electronics®	5016
1	UC1	MCP6541 SOT-23-5 Single Op Amp	Microchip Technology Inc.	MCP6541T-I/OT
1	For U1	CONN IC SOCKET 8POS DIP TIN	Tyco Electronics/Amp	2-641260-1

**Note 1:** The components listed in this Bill of Materials are representative of the PCB assembly. The released BOM used in manufacturing uses all RoHS-compliant components.

# MCP6XXX Amplifier Evaluation Board 4 User's Guide

**TABLE B-2: BILL OF MATERIALS – UNPOPULATED PARTS (102-00154R1)**

Qty	Reference	Description	Manufacturer	Part Number
1	U1	MCP6021 PDIP-8, Single Op Amp	Microchip Technology Inc	MCP6021-E/P
7	R1-R3, C1, RISO, RL, CL	Not Populated when shipped to customer	—	—

**Note 1:** The components listed in this Bill of Materials are representative of the PCB assembly. The released BOM used in manufacturing uses all RoHS-compliant components.

The BOM in Table B-3 corresponds to the collection of resistors, capacitors, jumpers and MCP6021 op amps that come in the Accessory Bag which is shipped in the MCP6XXX Amplifier Evaluation Board 4 Kit. These components are placed in an separate ESD bag. They support the circuit in **Section 2.4.1 “Building the Amplifier”**. Customers need to provide the resistors and capacitors for more amplifier circuits.

**TABLE B-3: BILL OF MATERIALS – ACCESSORY BAG PARTS (102-00148R1)**

Qty	Reference	Description	Manufacturer	Part Number
1	Accessory Bag	CAP CER 56PF 50V C0G RADIAL	Murata Electronics®	RPE5C1H560J2P1Z03B
1	Accessory Bag	CAP CER 1UF 25V X7R RAD	TDK® Corporation	FK24X7R1E105K
1	Accessory Bag	JUMPER ZERO OHM 1/8W	Yageo® Corporation	ZOR-12-B-52
2	Accessory Bag	RES 8.06K OHM 1/4W 1% METAL FILM	Yageo Corporation	MFR-25FBB-8K06
1	Accessory Bag	RES 1.58K OHM 1/4W 1% METAL FILM	Yageo Corporation	MFR-25FBB-1K58

**Note 1:** The components listed in this Bill of Materials are representative of the PCB assembly. The released BOM used in manufacturing uses all RoHS-compliant components.

NOTES:



---

---

## WORLDWIDE SALES AND SERVICE

---

---

### AMERICAS

**Corporate Office**  
2355 West Chandler Blvd.  
Chandler, AZ 85224-6199  
Tel: 480-792-7200  
Fax: 480-792-7277  
Technical Support:  
<http://support.microchip.com>  
Web Address:  
[www.microchip.com](http://www.microchip.com)

#### Atlanta

Duluth, GA  
Tel: 678-957-9614  
Fax: 678-957-1455

#### Boston

Westborough, MA  
Tel: 774-760-0087  
Fax: 774-760-0088

#### Chicago

Itasca, IL  
Tel: 630-285-0071  
Fax: 630-285-0075

#### Dallas

Addison, TX  
Tel: 972-818-7423  
Fax: 972-818-2924

#### Detroit

Farmington Hills, MI  
Tel: 248-538-2250  
Fax: 248-538-2260

#### Kokomo

Kokomo, IN  
Tel: 765-864-8360  
Fax: 765-864-8387

#### Los Angeles

Mission Viejo, CA  
Tel: 949-462-9523  
Fax: 949-462-9608

#### Santa Clara

Santa Clara, CA  
Tel: 408-961-6444  
Fax: 408-961-6445

#### Toronto

Mississauga, Ontario,  
Canada  
Tel: 905-673-0699  
Fax: 905-673-6509

### ASIA/PACIFIC

**Asia Pacific Office**  
Suites 3707-14, 37th Floor  
Tower 6, The Gateway  
Harbour City, Kowloon  
Hong Kong  
Tel: 852-2401-1200  
Fax: 852-2401-3431

**Australia - Sydney**  
Tel: 61-2-9868-6733  
Fax: 61-2-9868-6755

**China - Beijing**  
Tel: 86-10-8528-2100  
Fax: 86-10-8528-2104

**China - Chengdu**  
Tel: 86-28-8665-5511  
Fax: 86-28-8665-7889

**China - Fuzhou**  
Tel: 86-591-8750-3506  
Fax: 86-591-8750-3521

**China - Hong Kong SAR**  
Tel: 852-2401-1200  
Fax: 852-2401-3431

**China - Qingdao**  
Tel: 86-532-8502-7355  
Fax: 86-532-8502-7205

**China - Shanghai**  
Tel: 86-21-5407-5533  
Fax: 86-21-5407-5066

**China - Shenyang**  
Tel: 86-24-2334-2829  
Fax: 86-24-2334-2393

**China - Shenzhen**  
Tel: 86-755-8203-2660  
Fax: 86-755-8203-1760

**China - Shunde**  
Tel: 86-757-2839-5507  
Fax: 86-757-2839-5571

**China - Wuhan**  
Tel: 86-27-5980-5300  
Fax: 86-27-5980-5118

**China - Xian**  
Tel: 86-29-8833-7252  
Fax: 86-29-8833-7256

### ASIA/PACIFIC

**India - Bangalore**  
Tel: 91-80-4182-8400  
Fax: 91-80-4182-8422

**India - New Delhi**  
Tel: 91-11-4160-8631  
Fax: 91-11-4160-8632

**India - Pune**  
Tel: 91-20-2566-1512  
Fax: 91-20-2566-1513

**Japan - Yokohama**  
Tel: 81-45-471- 6166  
Fax: 81-45-471-6122

**Korea - Daegu**  
Tel: 82-53-744-4301  
Fax: 82-53-744-4302

**Korea - Seoul**  
Tel: 82-2-554-7200  
Fax: 82-2-558-5932 or  
82-2-558-5934

**Malaysia - Penang**  
Tel: 60-4-646-8870  
Fax: 60-4-646-5086

**Philippines - Manila**  
Tel: 63-2-634-9065  
Fax: 63-2-634-9069

**Singapore**  
Tel: 65-6334-8870  
Fax: 65-6334-8850

**Taiwan - Hsin Chu**  
Tel: 886-3-572-9526  
Fax: 886-3-572-6459

**Taiwan - Kaohsiung**  
Tel: 886-7-536-4818  
Fax: 886-7-536-4803

**Taiwan - Taipei**  
Tel: 886-2-2500-6610  
Fax: 886-2-2508-0102

**Thailand - Bangkok**  
Tel: 66-2-694-1351  
Fax: 66-2-694-1350

### EUROPE

**Austria - Wels**  
Tel: 43-7242-2244-39  
Fax: 43-7242-2244-393

**Denmark - Copenhagen**  
Tel: 45-4450-2828  
Fax: 45-4485-2829

**France - Paris**  
Tel: 33-1-69-53-63-20  
Fax: 33-1-69-30-90-79

**Germany - Munich**  
Tel: 49-89-627-144-0  
Fax: 49-89-627-144-44

**Italy - Milan**  
Tel: 39-0331-742611  
Fax: 39-0331-466781

**Netherlands - Drunen**  
Tel: 31-416-690399  
Fax: 31-416-690340

**Spain - Madrid**  
Tel: 34-91-708-08-90  
Fax: 34-91-708-08-91

**UK - Wokingham**  
Tel: 44-118-921-5869  
Fax: 44-118-921-5820

06/25/07

Компания «Life Electronics» занимается поставками электронных компонентов импортного и отечественного производства от производителей и со складов крупных дистрибьюторов Европы, Америки и Азии.

С конца 2013 года компания активно расширяет линейку поставок компонентов по направлению коаксиальный кабель, кварцевые генераторы и конденсаторы (керамические, пленочные, электролитические), за счёт заключения дистрибьюторских договоров

Мы предлагаем:

- Конкурентоспособные цены и скидки постоянным клиентам.
- Специальные условия для постоянных клиентов.
- Подбор аналогов.
- Поставку компонентов в любых объемах, удовлетворяющих вашим потребностям.
- Приемлемые сроки поставки, возможна ускоренная поставка.
- Доставку товара в любую точку России и стран СНГ.
- Комплексную поставку.
- Работу по проектам и поставку образцов.
- Формирование склада под заказчика.
- Сертификаты соответствия на поставляемую продукцию (по желанию клиента).
- Тестирование поставляемой продукции.
- Поставку компонентов, требующих военную и космическую приемку.
- Входной контроль качества.
- Наличие сертификата ISO.

В составе нашей компании организован Конструкторский отдел, призванный помогать разработчикам, и инженерам.

Конструкторский отдел помогает осуществить:

- Регистрацию проекта у производителя компонентов.
- Техническую поддержку проекта.
- Защиту от снятия компонента с производства.
- Оценку стоимости проекта по компонентам.
- Изготовление тестовой платы монтаж и пусконаладочные работы.



Тел: +7 (812) 336 43 04 (многоканальный)  
Email: org@lifeelectronics.ru