

GENERAL DESCRIPTION

The DS1673 portable system controller is a circuit that incorporates many of the functions necessary for low-power portable products integrated into one chip. The device provides a real-time clock (RTC), NV RAM controller, microprocessor monitor, and a 3-channel, 8-bit analog-to-digital converter (ADC). Communication with the DS1673 is established through a simple 3-wire interface.

The RTC provides seconds, minutes, hours, day, date, month, and year information with leap year compensation. The RTC also provides an alarm interrupt. This interrupt works when the DS1673 is powered by the system power supply or when in battery-backup operation, so the alarm can be used to wake up a system that is powered down.

Automatic backup and write protection of an external SRAM is provided through the V_{CC0} , \overline{CEOL} , and \overline{CEOH} pins. The backup energy source used to power the RTC is also used to retain RAM data in the absence of V_{CC} through the V_{CC0} pin. The chip-enable outputs to RAM (\overline{CEOL} and \overline{CEOH}) are controlled during power transients to prevent data corruption.

ORDERING INFORMATION

| PART* | VOLTAGE (V) | PIN-PACKAGE | TOP MARK† |
|-------------------|-------------|-------------|-----------|
| DS1673E-3 | 3.0 | 20 TSSOP | DS1673-3 |
| DS1673E-3+ | 3.0 | 20 TSSOP | DS1673-3 |
| DS1673E-5 | 5.0 | 20 TSSOP | DS1673-5 |
| DS1673E-3/ T&R | 3.0 | 20 TSSOP | DS1673-3 |
| DS1673E-3+ T&R | 3.0 | 20 TSSOP | DS1673-3 |
| DS1673E-5/ T&R | 5.0 | 20 TSSOP | DS1673-5 |
| DS1673S-3 | 3.0 | 20 SO | DS1673S-3 |
| DS1673S-5 | 5.0 | 20 SO | DS1673S-5 |

* All devices are specified over the 0°C to +70°C operating range.

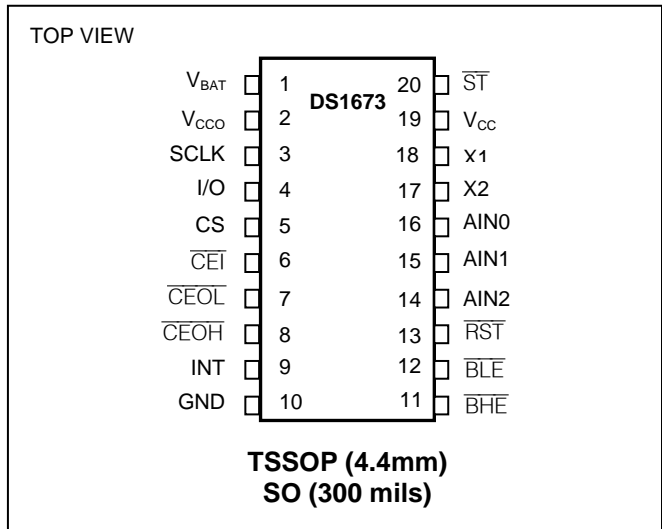
† A "+" anywhere on the top mark denotes a lead-free device.

+ Denotes a lead(Pb)-free/RoHS-compliant device.

FEATURES

- Provides Real-Time Clock**
 Counts Seconds, Minutes, Hours, Date of the Month, Month, Day of the Week, and Year with Leap Year Compensation Valid Up to 2100
 Power-Control Circuitry Supports System Power-On from Day/Time Alarm
- Microprocessor Monitor**
 Halts Microprocessor During Power Fail
 Automatically Restarts Microprocessor after Power Failure
 Monitors Pushbutton for External Override
 Halts and Resets an Out-of-Control Microprocessor
- NV RAM Control**
 Automatic Battery Backup and Write Protection to External SRAM
- 3-Channel, 8-Bit ADC**
- Simple 3-Wire Interface**
- +3.0V or +5.0V Operation**

PIN CONFIGURATION



DETAILED DESCRIPTION

The microprocessor monitor circuitry of the DS1673 provides three basic functions. First, a precision temperature-compensated reference and comparator circuit monitors the status of V_{CC} . When an out-of-tolerance condition occurs, an internal power-fail signal is generated which forces the reset to the active state. When V_{CC} returns to an in-tolerance condition, the reset signals are kept in the active state for 250 ms to allow the power supply and processor to stabilize. The second microprocessor monitor function is pushbutton reset control. The DS1673 debounces a pushbutton input and guarantees an active reset pulse width of 250 ms. The third function is a watchdog timer. The DS1673 has an internal timer that forces the reset signals to the active state if the strobe input is not driven low prior to watchdog timeout.

The DS1673 also provides a 3-channel, 8-bit successive approximation analog-to-digital converter. The converter has an internal 2.55V (typical) reference voltage generated by an on-board band-gap circuit. The ADC is monotonic (no missing codes) and has an internal analog filter to reduce high frequency noise.

OPERATION

The block diagram in Figure 1 shows the main elements of the DS1673. The following paragraphs describe the function of each pin.

DS1673 BLOCK DIAGRAM Figure 1



PIN DESCRIPTION

| PIN | NAME | FUNCTION |
|---------------|------------------------|--|
| 1 | V _{BAT} | Battery Input for Standard 3V Lithium Cell or Other Energy Source |
| 2 | V _{CCO} | External SRAM Power Supply Output. This pin is internally connected to V _{CC} when V _{CC} is within nominal limits. However, during power-fail V _{CCO} is internally connected to the V _{BAT} pin. Switchover occurs when V _{CC} drops below V _{CCSW} . |
| 3 | SCLK | Serial Clock Input. Used to synchronize data movement on the serial interface. |
| 4 | I/O | Data Input/Output. This pin is the bidirectional data pin for the 3-wire interface. |
| 5 | CS | Chip Select. Must be asserted high during a read or a write for communication over the 3-wire serial interface. CS has an internal 40kΩ pulldown resistor. |
| 6 | CE _I | RAM Chip-Enable In. Must be driven low to enable the external RAM. |
| 7 | CE _{OL} | RAM Chip-Enable Out Low. Active-low chip-enable output for low-order SRAM byte. |
| 8 | CE _{OH} | RAM Chip-Enable Out High. Active-low chip-enable output for high-order SRAM byte. |
| 9 | INT | Interrupt Output. This pin is an active-high output that can be used as an interrupt input to a microprocessor. The INT output remains high as long as the status bit causing the interrupt is present and the corresponding interrupt-enable bit is set. The INT pin operates when the DS1673 is powered by V _{CC} or V _{BAT} . |
| 10 | GND | Ground. DC power is provided to the device on this pin. |
| 11 | B _H E | Byte High-Enable Input. This pin when driven low activates the CE _{OH} output if CE _I is also driven low. |
| 12 | B _L E | Byte Low-Enable Input. This pin when driven low activates the CE _{OL} output if CE _I is also driven low. |
| 13 | R _{ST} | Active-Low Reset. The R _{ST} pin functions as a microprocessor reset signal. This pin is driven low 1) when V _{CC} is outside of nominal limits; 2) when the watchdog timer has timed out; 3) during the power-up reset period; and 4) in response to a pushbutton reset. The R _{ST} pin also functions as a pushbutton reset input. When the R _{ST} pin is driven low, the signal is debounced and timed such that a R _{ST} signal of at least 250ms is generated. This pin has an open-drain output with an internal 47kΩ pullup resistor. |
| 14, 15, 16 | AIN2, AIN1, AIN0 | Analog Inputs. These pins are the three analog inputs for the 3-channel ADC. |
| 17, 18 | X2, X1 | Connections for Standard 32.768kHz Quartz Crystal. For greatest accuracy, the DS1673 must be used with a crystal that has a specified load capacitance of 6pF. There is no need for external capacitors or resistors. Note: X1 and X2 are very high-impedance nodes. It is recommended that they and the crystal be guard-ringed with ground and that high frequency signals be kept away from the crystal area. For more information on crystal selection and crystal layout considerations, refer to <i>Application Note 58: Crystal Considerations with Dallas Real Time Clocks</i> . The DS1673 does not function without a crystal. |
| 19 | V _{CC} | +3.0V or +5.0V Input DC Power |
| 20 | ST | Active-Low Strobe Input. The strobe input pin is used with the watchdog timer. If the ST pin is not driven low within the watchdog time period, the R _{ST} pin is driven low. |

POWER-UP/POWER-DOWN CONSIDERATIONS

When V_{CC} is applied to the DS1673 and reaches a level greater than V_{CCTP} (power-fail trip point), the device becomes fully accessible after t_{RPU} (250ms typical). Before t_{RPU} elapses, all inputs are disabled. When V_{CC} drops below V_{CCSW} , the device is switched over to the V_{BAT} supply.

During power-up, when V_{CC} returns to an in-tolerance condition, the \overline{RST} pin is kept in the active state for 250ms (typical) to allow the power supply and microprocessor to stabilize.

ADDRESS/COMMAND BYTE

The command byte for the DS1673 is shown in Figure 2. Each data transfer is initiated by a command byte. Bits 0 through 6 specify the address of the registers to be accessed. The MSB (bit 7) is the Read/Write bit. This bit specifies whether the accessed byte will be read or written. A read operation is selected if bit 7 is a 0 and a write operation is selected if bit 7 is a one. The address map for the DS1673 is shown in Figure 3.

ADDRESS/COMMAND BYTE Figure 2

| 7 | 6 | 5 | 4 | 3 | 2 | 1 | 0 |
|-----------------------|----|----|----|----|----|----|----|
| \overline{RD} WR | A6 | A5 | A4 | A3 | A2 | A1 | A0 |

DS1673 ADDRESS MAP Figure 3

| | BIT7 | | | | | | BIT0 |
|----|-------------------|--------------|--------------|--------|-----------|---------------|------|
| 00 | 0 | 10 SECONDS | | | | SECONDS | |
| 01 | 0 | 10 MINUTES | | | | MINUTES | |
| 02 | 0 | 12 24 | 10 HR A/P | 10 HR | | HOURS | |
| 03 | 0 | 0 | 0 | 0 | 0 | DAY | |
| 04 | 0 | 0 | 10 DATE | | DATE | | |
| 05 | 0 | 0 | 0 | 10 MO. | | MONTH | |
| 06 | 10 YEAR | | | | YEAR | | |
| 07 | M | 10 SEC ALARM | | | | SECONDS ALARM | |
| 08 | M | 10 MIN ALARM | | | | MINUTES ALARM | |
| 09 | M | 12 24 | 10 HR A/P | 10 HR | | HOUR ALARM | |
| 0A | M | 0 | 0 | 0 | DAY ALARM | | |
| 0B | CONTROL REGISTER | | | | | | |
| 0C | STATUS REGISTER | | | | | | |
| 0D | WATCHDOG REGISTER | | | | | | |
| 0E | ADC REGISTER | | | | | | |
| 0F | RESERVED | | | | | | |
| | | | | | | | |
| | | | | | | | |
| | | | | | | | |
| | | | | | | | |
| | | | | | | | |
| | | | | | | | |
| | | | | | | | |
| 7F | | | | | | | |

CLOCK, CALENDAR, AND ALARM

The time and calendar information is accessed by reading/writing the appropriate register bytes. Note that some bits are set to 0. These bits will always read 0 regardless of how they are written. Also note that registers 0Fh to 7Fh are reserved. These registers will always read 0 regardless of how they are written. The contents of the time, calendar, and alarm registers are in the Binary-Coded Decimal (BCD) format. The DS1673 can run in either 12-hour or 24-hour mode. Bit 6 of the hours register is defined as the 12- or 24-hour mode select bit. When high, the 12-hour mode is selected. In the 12-hour mode, bit 5 is the AM/PM bit with logic 1 being PM. In the 24-hour mode, bit 5 is the second 10-hour bit (20-23 hours).

The DS1673 also contains a time of day alarm. The alarm registers are located in registers 07h to 0Ah. Bit 7 of each of the alarm registers are mask bits (see Table 1). When all of the mask bits are logic 0, an alarm will occur once per week when the values stored in timekeeping registers 00h to 03h match the values stored in the time of day alarm registers. An alarm will be generated every day when mask bit of the day alarm register is set to 1. An alarm will be generated every hour when the day and hour alarm mask bits are set to 1. Similarly, an alarm will be generated every minute when the day, hour, and minute alarm mask bits are set to 1. When day, hour, minute, and seconds alarm mask bits are set to 1, an alarm will occur every second.

TIME OF DAY ALARM BITS Table 1

| ALARM REGISTER MASK BITS (BIT 7) | | | | DESCRIPTION |
|----------------------------------|---------|-------|------|---|
| SECONDS | MINUTES | HOURS | DAYS | |
| 1 | 1 | 1 | 1 | Alarm once per second. |
| 0 | 1 | 1 | 1 | Alarm when seconds match. |
| 0 | 0 | 1 | 1 | Alarm when minutes and seconds match. |
| 0 | 0 | 0 | 1 | Alarm when hours, minutes and seconds match. |
| 0 | 0 | 0 | 0 | Alarm when day, hours, minutes and seconds match. |

SPECIAL PURPOSE REGISTERS

The DS1673 has two additional registers (control register and status register) that control the RTC and interrupts.

CONTROL REGISTER

| BIT 7 | BIT 6 | BIT 5 | BIT 4 | BIT 3 | BIT 2 | BIT 1 | BIT 0 |
|--------------------------|-------|-------|-------|-------|-------|-------|-------|
| $\overline{\text{EOSC}}$ | WP | AIS1 | AIS0 | 0 | 0 | 0 | AIE |

$\overline{\text{EOSC}}$ (Enable Oscillator). This bit, when set to logic 0 will start the oscillator. When this bit is set to a logic 1, the oscillator is stopped and the DS1673 is placed into a low-power standby mode with a current drain of less than 200nA when in battery-backup mode. When the DS1673 is powered by V_{CC} , the oscillator is always on regardless of the status of the $\overline{\text{EOSC}}$ bit; however, the RTC is incremented only when $\overline{\text{EOSC}}$ is a logic 0.

WP (Write Protect). Before any write operation to the RTC or any other registers, this bit must be logic 0. When high, the write protect bit prevents a write operation to any register.

AIS0-AIS1 (Analog Input Select). These 2 bits are used to determine the analog input for the analog-to-digital conversion. Table 2 lists the specific analog input that is selected by these 2 bits.

AIE (Alarm Interrupt Enable). When set to a logic 1, this bit permits the Interrupt Request Flag (IRQF) bit in the status register to assert INT. When the AIE bit is set to logic 0, the IRQF bit does not initiate the INT signal.

ANALOG INPUT SELECTION Table 2

| AIS1 | AIS0 | ANALOG INPUT |
|------|------|--------------|
| 0 | 0 | NONE |
| 0 | 1 | AIN0 |
| 1 | 0 | AIN1 |
| 1 | 1 | AIN2 |

STATUS REGISTER

| BIT 7 | BIT 6 | BIT 5 | BIT 4 | BIT 3 | BIT 2 | BIT 1 | BIT 0 |
|-------|-------|-------|-------|-------|-------|-------|-------|
| CU | LOBAT | 0 | 0 | 0 | 0 | 0 | IRQF |

CU (Conversion Update In Progress). When this bit is a 1, an update to the ADC Register (register 0Eh) will occur within 488 μ s. When this bit is a 0, an update to the ADC Register will not occur for at least 244 μ s.

LOBAT (Low Battery Flag). This bit reflects the status of the backup power source connected to the V_{BAT} pin. When V_{BAT} is greater than 2.5V, LOBAT is set to a logic 0. When V_{BAT} is less than 2.3V, LOBAT is set to a logic 1.

IRQF (Interrupt Request Flag). A logic 1 in the Interrupt Request Flag bit indicates that the current time has matched the time of day Alarm registers. If the AIE bit is also a logic 1, the INT pin will go high. IRQF is cleared by reading or writing to any of the alarm registers.

POWER-UP DEFAULT STATES

These bits are set to a one upon initial power-up: $\overline{\text{EOSC}}$, TD1 and TD0. These bits are cleared upon initial power-up: WP, AIS1, and AIS0.

NONVOLATILE SRAM CONTROLLER

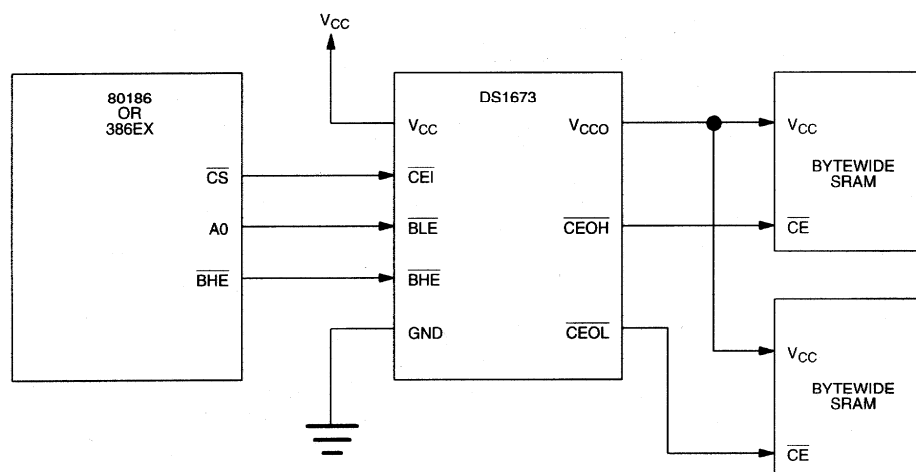
The DS1673 provides automatic backup and write protection for external SRAM. This function is provided by gating the chip enable signals and by providing a constant power supply through the V_{CC0} pin. The DS1673 was specifically designed with the Intel 80186 and 386EX microprocessors in mind. As such, the DS1673 has the capability to provide access to the external SRAM in either byte-wide or word-wide format. This capability is provided by the chip enable scheme. Three input signals and two output signals are used for enabling the external SRAM(s) (see Figure 4). $\overline{\text{CEI}}$ (chip enable in), $\overline{\text{BHE}}$ (byte high enable), and $\overline{\text{BLE}}$ (byte low enable) are used for enabling either one or two external SRAMs through the $\overline{\text{CEOL}}$ (chip enable low) and the $\overline{\text{CEOH}}$ (chip enable high) outputs. Table 3 illustrates the function of these pins.

The DS1673 nonvolatilizes the external SRAM(s) by write-protecting the SRAM(s) and by providing a back-up power supply in the absence of V_{CC}. When V_{CC} falls below V_{PF}, access to the external SRAM(s) are prohibited by forcing $\overline{\text{CEOL}}$ and $\overline{\text{CEOH}}$ high regardless of the level of $\overline{\text{CEI}}$, $\overline{\text{BLE}}$, and $\overline{\text{BHE}}$. Upon power-up, access is prohibited until the end of t_{RPU}.

EXTERNAL SRAM CHIP ENABLE Table 3

| $\overline{\text{CEI}}$ | $\overline{\text{BHE}}$ | $\overline{\text{BLE}}$ | $\overline{\text{CEOL}}$ | $\overline{\text{CEOH}}$ | FUNCTION |
|-------------------------|-------------------------|-------------------------|--------------------------|--------------------------|--|
| 0 | 0 | 0 | 0 | 0 | Word transfer |
| 0 | 0 | 1 | 1 | 0 | Byte transfer in upper half of data bus (D15-D8) |
| 0 | 1 | 0 | 0 | 1 | Byte transfer in lower half of data bus (D7-D0) |
| 0 | 1 | 1 | 1 | 1 | External SRAMs disabled |
| 1 | X | X | 1 | 1 | External SRAMs disabled |

EXTERNAL SRAM INTERFACE (WORD-WIDE) TO THE DS1673 Figure 4



MICROPROCESSOR MONITOR

The DS1673 monitors three vital conditions for a microprocessor: power supply, software execution, and external override.

First, a precision temperature-compensated reference and comparator circuit monitors the status of V_{CC} . When an out-of-tolerance condition occurs, an internal power-fail signal is generated which forces the \overline{RST} pin to the active state, thus warning a processor-based system of impending power failure. When V_{CC} returns to an in-tolerance condition upon power-up, the reset signal is kept in the active state for 250ms (typical) to allow the power supply and microprocessor to stabilize. Note, however, that if the EOSC bit is set to a logic 1 (to disable the oscillator during battery-backup mode), the reset signal will be kept in an active state for 250 ms plus the start-up time of the oscillator.

The second monitoring function is push-button reset control. The DS1673 provides for a pushbutton switch to be connected to the \overline{RST} output pin. When the DS1673 is not in a reset cycle, it continuously monitors the \overline{RST} signal for a low going edge. If an edge is detected, the DS1673 will debounce the switch by pulling the \overline{RST} line low. After the internal 250ms timer has expired, the DS1673 will continue to monitor the \overline{RST} line. If the line is still low, the DS1673 will continue to monitor the line looking for a rising edge. Upon detecting release, the DS1673 will force the \overline{RST} line low and hold it low for 250ms.

The third microprocessor monitoring function provided by the DS1673 is a watchdog timer. The watchdog timer function forces \overline{RST} to the active state when the \overline{ST} input is not stimulated within the predetermined time period. The time period is set by the Time Delay (TD) bits in the Watchdog Register. The time delay can be set to 250ms, 500ms, or 1000ms (see Figure 5). If TD0 and TD1 are both set to zero, the watchdog timer is disabled. When enabled, the watchdog timer starts timing out from the set time period as soon as \overline{RST} is inactive. The default setting is for the watchdog timer to be enabled with 1000ms time delay. If a high-to-low transition occurs on the \overline{ST} input pin prior to time-out, the watchdog timer is reset and begins to time-out again. If the watchdog timer is allowed to time-out, then the \overline{RST} signal is driven to the active state for 250ms (typical). The \overline{ST} input can be derived from microprocessor address signals, data signals, and/or control signals. To guarantee that the watchdog timer does not time-out, a high-to-low transition must occur at or less than the minimum period.

WATCHDOG TIME-OUT CONTROL Figure 5

WATCHDOG REGISTER

| BIT 7 | BIT 6 | BIT 5 | BIT 4 | BIT 3 | BIT 2 | BIT 1 | BIT 0 |
|-------|-------|-------|-------|-------|-------|-------|-------|
| 0 | 0 | 0 | 0 | 0 | 0 | TD1 | TD0 |

WATCHDOG REGISTER

| TD1 | TD0 | WATCHDOG TIME-OUT |
|-----|-----|-------------------|
| 0 | 0 | WATCHDOG DISABLED |
| 0 | 1 | 250 ms |
| 1 | 0 | 500 ms |
| 1 | 1 | 1000 ms |

ANALOG-TO-DIGITAL CONVERTER

The DS1673 provides a 3-channel, 8-bit analog-to-digital converter. The ADC reference voltage (2.55V typical) is derived from an on-chip band-gap circuit. Three multiplexed analog inputs are provided through the AIN0, AIN1, and AIN2 pins. The ADC is monotonic (no missing codes) and uses a successive approximation technique to convert the analog signal into a digital code.

An A/D conversion is the process of assigning a digital code to an analog input voltage. This code represents the input value as a fraction of the full-scale voltage (FSV) range. Thus, the FSV range is then divided by the ADC into 256 codes (8 bits). The FSV range is bounded by an upper limit equal to the reference voltage and the lower limit, which is ground. The DS1673 has a FSV of 2.55V (typical) that provides a resolution of 10mV. An input voltage equal to the reference voltage converts to FFh while an input voltage equal to ground converts to 00h. The relative linearity of the ADC is ± 0.5 LSB.

The A/D converter selects from one of three different analog inputs (AIN0–AIN2). The input that is selected is determined by the Analog Input Select (AIS) bits in the Control Register. Table 2 lists the specific analog input that is selected by these 2 bits. Note also that the converter can be turned off by these bits to reduce power. When the ADC is turned on by setting AIS0 and AIS1 to any value other than 0,0 the analog input voltage is converted and written to the ADC Register within 488 μ s. An internal analog filter at the input reduces high frequency noise. Subsequent updates occur approximately every 10ms. If AIS0 and/or AIS1 are changed, updates will occur at the next 10 ms conversion time.

The Conversion Update In Progress (CU) bit in the Status Register indicates when the ADC Register can be read. When this bit is a 1, an update to the ADC Register will occur within 488 μ s maximum. However, when this bit is 0 an update will not occur for at least 244 μ s. The CU bit should be polled before reading the ADC Register to insure that the contents are stable during a read cycle. Once a read cycle to the ADC Register has been started, the DS1673 will not update that register until the read cycle has been completed. It should also be mentioned that taking CS low will abort the read cycle and will allow the ADC Register to be updated.

Figure 6 illustrates the timing of the CU bit relative to an instruction to begin conversion and the completion of that conversion.

CU BIT TIMING Figure 6



3-WIRE SERIAL INTERFACE

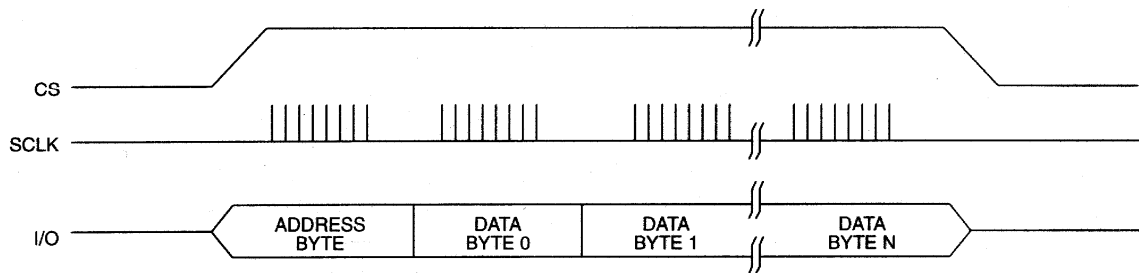
Communication with the DS1673 is accomplished through a simple 3-wire interface consisting of the Chip Select (CS), Serial Clock (SCLK) and Input/Output (I/O) pins.

All data transfers are initiated by driving the CS input high. The CS input serves two functions. First, CS turns on the control logic, which allows access to the shift register for the address/command sequence. Second, the CS signal provides a method of terminating either single byte or multiple byte (burst) data transfer. A clock cycle is a sequence of a rising edge followed by a falling edge. For data input, data must be valid during the rising edge of the clock and data bits are output on the falling edge of the clock. If the CS input goes low, all data transfer terminates and the I/O pin goes to a high impedance state.

Address and data bytes are always shifted LSB first into the I/O pin. Any transaction requires the address/command byte to specify a read or write to a specific register followed by 1 or more bytes of data. The address byte is always the first byte entered after CS is driven high. The most significant bit ($\overline{RD}/\overline{WR}$) of this byte determines if a read or write will take place. If this bit is 0, one or more read cycles will occur. If this bit is 1, one or more write cycles will occur.

Data transfers can occur 1 byte at a time or in multiple byte burst mode. After CS is driven high an address is written to the DS1673. After the address, 1 or more data bytes can be read or written. For a single-byte transfer 1 byte is read or written and then CS is driven low. For a multiple-byte transfer, multiple bytes can be read or written to the DS1673 after the address has been written. Each read or write cycle causes the register address to automatically increment. Incrementing continues until the device is disabled. After accessing register 0Eh, the address wraps to 00h.

Data transfer for single-byte transfer and multiple-byte burst transfer is illustrated in Figures 7 and 8.

SINGLE-BYTE DATA TRANSFER Figure 7**MULTIPLE-BYTE BURST TRANSFER Figure 8**

ABSOLUTE MAXIMUM RATINGS

| | |
|--|-----------------------------|
| Voltage on Any Pin Relative to Ground..... | -0.3V to +7.0V |
| Operating Temperature..... | 0°C to +70°C |
| Storage Temperature..... | -55°C to +125°C |
| Soldering Temperature..... | See J-STD-020 Specification |

This is a stress rating only and functional operation of the device at these or any other conditions above those indicated in the operation sections of this specification is not implied. Exposure to absolute maximum rating conditions for extended periods of time may affect device reliability.

RECOMMENDED DC OPERATING CONDITIONS (T_A = 0°C to +70°C)

| PARAMETER | SYMBOL | MIN | TYP | MAX | UNITS | NOTES |
|----------------------|------------------|------|-----|----------------------|-------|-------|
| Power Supply Voltage | 5.0V | 4.5 | 5.0 | 5.5 | V | 1 |
| | 3.0V | 2.7 | 3.0 | 3.3 | | |
| Input Logic 1 | V _{IH} | 2.0 | | V _{CC} +0.3 | V | 1 |
| Input Logic 0 | V _{IL} | -0.3 | | +0.8 | V | 1 |
| Battery Voltage | V _{BAT} | 2.5 | | 3.7 | V | 1 |

DC ELECTRICAL CHARACTERISTICS (V_{CC} = 5.0V ±10%, T_A = 0°C to +70°C.)

| PARAMETER | SYMBOL | MIN | TYP | MAX | UNITS | NOTES |
|--|-------------------|----------------------|------|------|-------|-------|
| Input Leakage | I _{LI} | -1 | | +1 | µA | |
| CS Leakage | I _{LO} | | | 150 | µA | 7 |
| Logic 1 Output (I _{OUT} = -0.4mA) | V _{OH} | 2.4 | | | V | 2 |
| Logic 0 Output (I _{OUT} = 1.5mA) | V _{OL} | | | 0.4 | V | 3 |
| Active Supply Current (CS = V _{CC} - 0.2) | I _{CCA} | | 1.5 | 2.0 | mA | 4 |
| A/D Converter Current | I _{ADC} | | | 500 | µA | 5 |
| Standby Current (CS = V _{IL}) | I _{CCS} | | | 300 | µA | 6 |
| Battery Current (Oscillator On) | I _{BAT1} | | 300 | 500 | nA | |
| Battery Current (Oscillator Off) | I _{BAT2} | | | 200 | nA | |
| Internal RST Pullup Resistor | R _P | 35 | 47 | 60 | kΩ | |
| V _{CC} Trip Point | V _{CCTP} | 4.25 | 4.35 | 4.50 | V | |
| V _{CC} Switchover | V _{CCSW} | 2.60 | 2.70 | 2.80 | V | 12 |
| A/D Reference Voltage | V _{ADC} | 2.47 | 2.55 | 2.63 | V | |
| Pushbutton Detect | PB _{DV} | 0.8 | | 2.0 | V | |
| Pushbutton Release | PB _{RD} | | 0.3 | 0.8 | V | |
| Output Voltage | V _{CCO} | V _{CC} -0.3 | | | V | 11 |
| V _{CCO} Output Current (Source = V _{CC}) | I _{CCO1} | | | 150 | mA | 13 |
| V _{CCO} Output Current (Source = V _{BAT}) | I _{CCO2} | | | 150 | µA | 14 |

DC ELECTRICAL CHARACTERISTICS ($V_{CC} = 3.0V \pm 10\%$, $T_A = 0^{\circ}C$ to $+70^{\circ}C$.)

| PARAMETER | SYMBOL | MIN | TYP | MAX | UNITS | NOTES |
|--|------------|--------------|------|------|------------|-------|
| Input Leakage | I_{LI} | -1 | | +1 | μA | |
| CS Leakage | I_{LO} | | | 150 | μA | 7 |
| Logic 1 Output ($I_{OUT} = -0.4mA$) | V_{OH} | 2.4 | | | V | 2 |
| Logic 0 Output ($I_{OUT} = 1.5mA$) | V_{OL} | | | 0.4 | V | 3 |
| Active Supply Current ($CS = V_{CC} - 0.2$) | I_{CCA} | | 0.75 | 1.0 | mA | 4 |
| ADC Current | I_{ADC} | | | 200 | μA | 5 |
| Standby Current ($CS = V_{IL}$) | I_{CCS} | | | 100 | μA | 6 |
| Battery Current (Oscillator On) | I_{BAT1} | | 300 | 500 | nA | |
| Battery Standby Current (Oscillator Off) | I_{BAT2} | | | 200 | nA | |
| Internal RST Pullup Resistor | R_P | 35 | 47 | 60 | k Ω | |
| V_{CC} Trip Point | V_{CCTP} | 2.5 | 2.6 | 2.7 | V | |
| V_{CC} Switchover | V_{CCSW} | 2.30 | 2.40 | 2.50 | V | 12 |
| A/D Reference Voltage | V_{ADC} | 2.47 | 2.55 | 2.63 | V | |
| Pushbutton Detect | PB_{DV} | 0.8 | | 2.0 | V | |
| Pushbutton Release | PB_{RD} | | 0.3 | 0.8 | V | |
| Output Voltage | V_{CCO} | $V_{CC}-0.3$ | | | V | 11 |
| V_{CCO} Output Current (Source = V_{CC}) | I_{CCO1} | | | 80 | mA | 13 |
| V_{CCO} Output Current (Source = V_{BAT}) | I_{CCO2} | | | 100 | μA | 14 |

CAPACITANCE**($T_A = +25^{\circ}C$)**

| PARAMETER | SYMBOL | MIN | TYP | MAX | UNITS | NOTES |
|---------------------|-----------|-----|-----|-----|-------|-------|
| Input Capacitance | C_I | | 10 | | pF | |
| I/O Capacitance | $C_{I/O}$ | | 15 | | pF | |
| Crystal Capacitance | C_X | | 6 | | pF | |

AC ELECTRICAL CHARACTERISTICS ($V_{CC} = 5.0V \pm 10\%$, $T_A = 0^{\circ}C$ to $70^{\circ}C$.)

| PARAMETER | SYMBOL | MIN | TYP | MAX | UNITS | NOTES |
|---|------------|-----|-----|-----|---------|----------|
| Data to Clock Setup | t_{DC} | 50 | | | ns | 8 |
| CLK to Data Hold | t_{CDH} | 70 | | | ns | 8 |
| CLK to Data Delay | t_{CDD} | | | 200 | ns | 8, 9, 10 |
| CLK to Low Time | t_{CL} | 250 | | | ns | 8 |
| CLK to High Time | t_{CH} | 250 | | | ns | 8 |
| CLK Frequency | t_{CLK} | | | 2.0 | MHz | 8 |
| CLK Rise and Fall | t_R, t_F | | | 500 | ns | |
| CS to CLK Setup | t_{CC} | 1 | | | μs | 8 |
| CLK to CS Hold | t_{CCH} | 60 | | | ns | 8 |
| CS Inactive Time | t_{CWH} | 1 | | | μs | 8 |
| CS to I/O High-Z | t_{CDZ} | | | 70 | ns | 8 |
| V_{CC} Slew Rate (4.5V to 2.3V) | t_F | 1 | | | ms | |
| V_{CC} Slew Rate (2.3V to 4.5V) | t_R | 0 | | | ns | |
| V_{CC} Detect to \overline{RST} (V_{CC} Falling) | t_{RPD} | | | 100 | ns | |
| Reset Active Time | t_{RST} | | 250 | | ms | 15 |
| Pushbutton Debounce | PB_{DB} | | 250 | | ms | 15 |
| $\overline{V_{CC}}$ Detect to \overline{RST} (V_{CC} Rising) | t_{RPU} | | 250 | | ms | 15, 16 |
| \overline{ST} Pulse Width | t_{ST} | 20 | | | ns | |
| Chip Enable Propagation Delay to External SRAM | t_{CED} | | 8 | 15 | ns | |
| Nominal Voltage to V_{CC} Switchover Fall Time | t_{FB} | 200 | | | μs | |

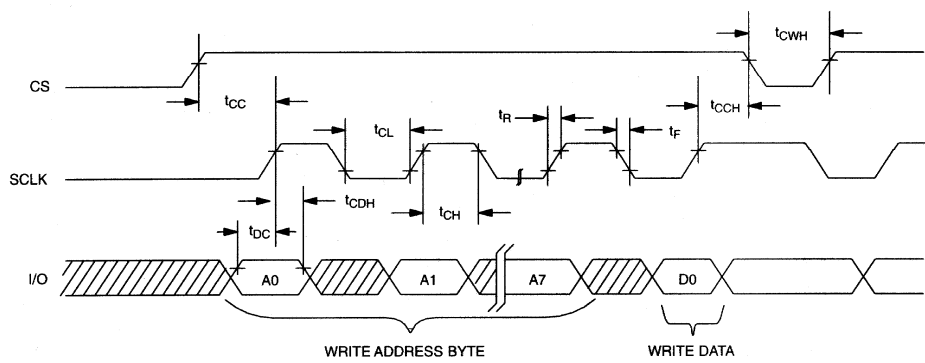
AC ELECTRICAL CHARACTERISTICS ($V_{CC} = 3.0V \pm 10\%$, $T_A = 0^{\circ}C$ to $+70^{\circ}C$.)

| PARAMETER | SYMBOL | MIN | TYP | MAX | UNITS | NOTES |
|---|------------|-----|-----|-------|---------|----------|
| Data to Clock Setup | t_{DC} | 150 | | | ns | 8 |
| CLK to Data Hold | t_{CDH} | 210 | | | ns | 8 |
| CLK to Data Delay | t_{CDD} | | | 600 | ns | 8, 9, 10 |
| CLK to Low Time | t_{CL} | 750 | | | ns | 8 |
| CLK to High Time | t_{CH} | 750 | | | ns | 8 |
| CLK Frequency | t_{CLK} | | | 0.667 | MHz | 8 |
| CLK Rise and Fall | t_R, t_F | | | 1500 | ns | |
| CS to CLK Setup | t_{CC} | 3 | | | μ s | 8 |
| CLK to CS Hold | t_{CCH} | 180 | | | ns | 8 |
| CS Inactive Time | t_{CWH} | 3 | | | μ s | 8 |
| CS to I/O High-Z | t_{CDZ} | | | 210 | ns | 8 |
| V_{CC} Slew Rate (2.7V to 2.3V) | t_F | 300 | | | μ s | |
| V_{CC} Slew Rate (2.3V to 2.7V) | t_R | 0 | | | ns | |
| V_{CC} Detect to \overline{RST} (V_{CC} Falling) | t_{RPD} | | | 200 | ns | |
| Reset Active Time | t_{RST} | | 250 | | ms | 15 |
| Pushbutton Debounce | PB_{DB} | | 250 | | ms | 15 |
| $\overline{V_{CC}}$ Detect to \overline{RST} (V_{CC} Rising) | t_{RPU} | | 250 | | ms | 15, 16 |
| \overline{ST} Pulse Width | t_{ST} | 40 | | | ns | |
| Chip Enable Propagation Delay to External SRAM | t_{CED} | | 8 | 25 | ns | |
| Nominal Voltage to V_{CC} Switchover Fall Time | t_{FB} | 300 | | | μ s | |

TIMING DIAGRAM: READ DATA Figure 9



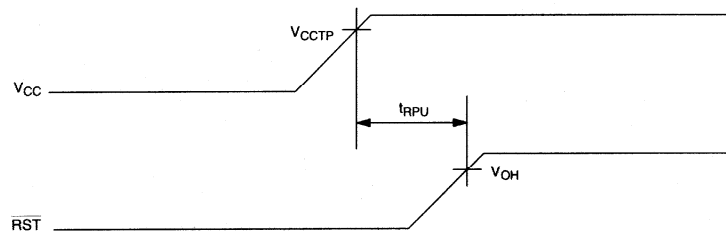
TIMING DIAGRAM: WRITE DATA Figure 10



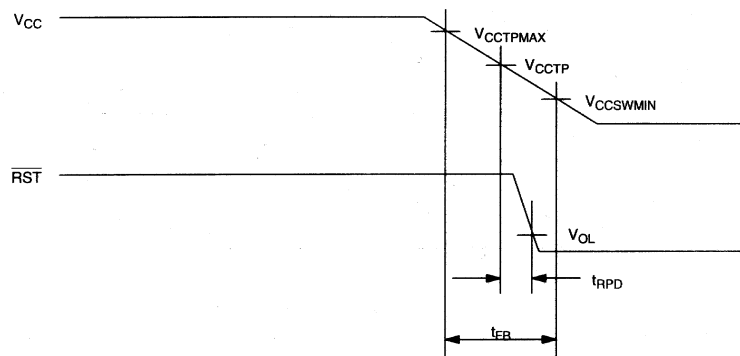
PUSHBUTTON RESET Figure 11



POWER-UP Figure 12



POWER-DOWN Figure 13



NOTES:

1. All voltages are referenced to ground.
2. Logic 1 voltages are specified at $V_{CC} = 3.0V$, $V_{OH} = V_{CC}$ for capacitive loads. Excludes \overline{RST} pin
3. Logic 0 voltages are specified at $V_{CC} = 3.0V$, $V_{OL} = GND$ for capacitive loads.
4. I_{CCA} is specified with outputs open, CS set to a logic 1, SCLK = 500kHz, oscillator enabled, and D/A converter enabled.
5. I_{ADC} is specified with CS, V_{CCO} open and I/O, SCLK at logic 0. ADC is enabled.
6. I_{CCS} is specified with CS, V_{CCO} open and I/O, SCLK at logic 0. ADC is disabled.
7. CS has a 40k Ω pulldown resistor to ground.
8. Measured at $V_{IH} = 2.0V$ or $V_{IL} = 0.8V$ and 10ns maximum rise and fall time.
9. Measured at $V_{OH} = 2.4V$ or $V_{OL} = 0.4V$.
10. Load capacitance = 25pF.
11. $I_{CCO} = 100mA$, $V_{CC} > V_{CCTP}$.
12. V_{CCO} switchover from V_{CC} to V_{BAT} occurs when V_{CC} drops below the lower of V_{CCSW} and V_{BAT} .
13. Current from V_{CC} input pin to V_{CCO} output pin.
14. Current from V_{BAT} input pin to V_{CCO} output pin.
15. Time base is generated by very accurate crystal oscillator. Accuracy of this time period is based on the crystal that is used. A typical crystal with a specified load capacitance of 6pF will provide an accuracy within $\pm 100ppm$ over the 0°C to +70°C temperature range.
16. If the \overline{EOSC} bit in the Control Register is set to a logic 1, t_{RPU} is equal to 250ms plus the startup time of the crystal oscillator.

PACKAGE INFORMATION

For the latest package outline information and land patterns, go to www.maxim-ic.com/packages.

| PACKAGE TYPE | PACKAGE CODE | DOCUMENT NO. |
|--------------|--------------|-------------------------|
| 20 TSSOP | U20+1 | 21-0066 |
| 20 SO | W20+3 | 21-0042 |

Компания «Life Electronics» занимается поставками электронных компонентов импортного и отечественного производства от производителей и со складов крупных дистрибьюторов Европы, Америки и Азии.

С конца 2013 года компания активно расширяет линейку поставок компонентов по направлению коаксиальный кабель, кварцевые генераторы и конденсаторы (керамические, пленочные, электролитические), за счёт заключения дистрибьюторских договоров

Мы предлагаем:

- Конкурентоспособные цены и скидки постоянным клиентам.
- Специальные условия для постоянных клиентов.
- Подбор аналогов.
- Поставку компонентов в любых объемах, удовлетворяющих вашим потребностям.
- Приемлемые сроки поставки, возможна ускоренная поставка.
- Доставку товара в любую точку России и стран СНГ.
- Комплексную поставку.
- Работу по проектам и поставку образцов.
- Формирование склада под заказчика.
- Сертификаты соответствия на поставляемую продукцию (по желанию клиента).
- Тестирование поставляемой продукции.
- Поставку компонентов, требующих военную и космическую приемку.
- Входной контроль качества.
- Наличие сертификата ISO.

В составе нашей компании организован Конструкторский отдел, призванный помогать разработчикам, и инженерам.

Конструкторский отдел помогает осуществить:

- Регистрацию проекта у производителя компонентов.
- Техническую поддержку проекта.
- Защиту от снятия компонента с производства.
- Оценку стоимости проекта по компонентам.
- Изготовление тестовой платы монтаж и пусконаладочные работы.



Тел: +7 (812) 336 43 04 (многоканальный)

Email: org@lifeelectronics.ru