

2.5V/3.3V, High Bandwidth, Hot Insertion 10-Bit, 2-Port, Bus Switch

Features

- Near-Zero propagation delay
- 5-ohm switches connect inputs to outputs
- High Bandwidth (>400 MHz)
- Permits Hot Insertion.
- Rail-to-Rail, 3.3V or 2.5V Switching
- 5V I/O Tolerant
- 2.5V Supply Voltage Operation
- Packaging (Pb-free & Green):
 - 24-pin 150-mil wide plastic QSOP (Q)

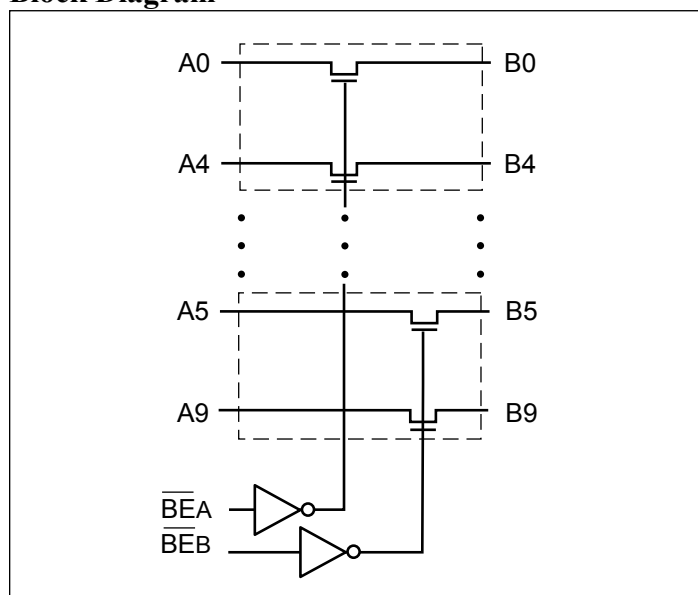
Description

Pericom Semiconductor's PI3C3384 is a 2.5V or 3.3V, high bandwidth 10-bit, 2-port bus switches designed with a low On-Resistance allowing inputs to be connected directly to outputs. The bus switch creates no additional propagational delay or additional ground bounce noise. The switches are turned ON by the Bus Enable (BE) input signal. Two bus enable signals are provided, one for each of the upper and lower five bits of the two 10-bit buses.

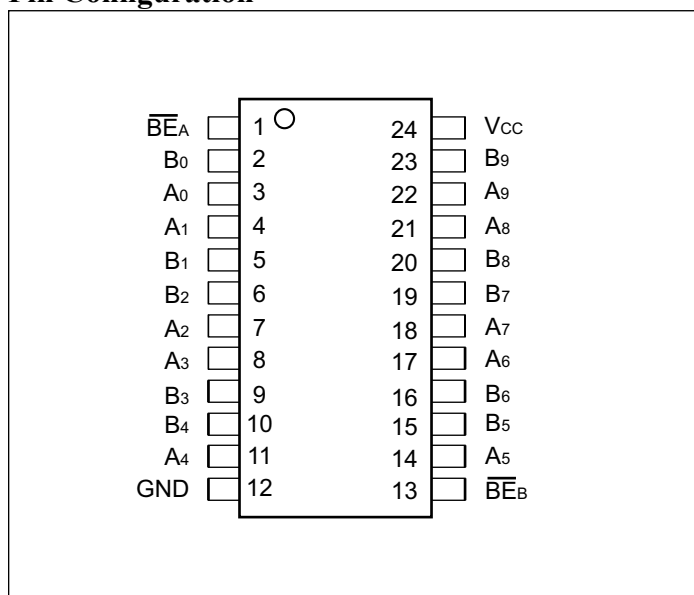
Applications

- High Bandwidth Data switching
- Hot Docking

Block Diagram



Pin Configuration



Truth Table⁽¹⁾

| Function | \overline{BE}_A | \overline{BE}_B | B0-B4 | B5-B9 |
|------------|-------------------|-------------------|-------|-------|
| Disconnect | H | H | Hi-Z | Hi-Z |
| Connect | L | H | A0-A4 | Hi-Z |
| Connect | H | L | Hi-Z | A5-A9 |
| Connect | L | L | A0-A4 | A5-A9 |

Note:

1. High Voltage Level, X = Don't Care,
L = Low Voltage Level, Hi-Z = High Impedance

Pin Description

| Pin Name | Description |
|------------------------------------|--------------------------------|
| $\overline{BE}_A, \overline{BE}_B$ | Bus Enable Inputs (Active LOW) |
| A0 - A9 | Bus A |
| B0 - B9 | Bus B |
| GND | Ground |
| VCC | Power |

Maximum Ratings

(Above which the useful life may be impaired. For user guidelines, not tested.)

| | |
|---|-----------------|
| Storage Temperature | -65°C to +150°C |
| Ambient Temperature with Power Applied | -40°C to +85°C |
| Supply Voltage to Ground Potential (Input & V _{CC} Only) | -0.5V to +4.6V |
| Supply Voltage to Ground Potential (Outputs & D/O Only) | -0.5V to +4.6V |
| DC Input Voltage | -0.5V to +5.5V |
| DC Output Current..... | 120mA |
| Power Dissipation..... | 1.0W |

Note:

Stresses greater than those listed under MAXIMUM RATINGS may cause permanent damage to the device. This is a stress rating only and functional operation of the device at these or any other conditions above those indicated in the operational sections of this specification is not implied. Exposure to absolute maximum rating conditions for extended periods may affect reliability.

DC Electrical Characteristics (Over Operating Range, T_A = -40°C to +85°C, V_{CC} = 3.3V ± 10%)

| Parameters | Description | Test Conditions ⁽¹⁾ | Min | Typ. ⁽²⁾ | Max | Units |
|------------------|-------------------------------------|---|------|---------------------|------|-------|
| V _{IH} | Input HIGH Voltage | Guaranteed Logic HIGH Level | 2.0 | | | V |
| V _{IL} | Input LOW Voltage | Guaranteed Logic Low Level | -0.5 | | 0.8 | |
| I _{IH} | Input HIGH Current | V _{CC} = Max, V _{IN} = V _{CC} | | | ±1 | µA |
| I _{IL} | Input LOW Current | V _{CC} = Max, V _{IN} = GND | | | ±1 | |
| I _{OZH} | High-Impedance Output Current | 0 ≤ A, B ≤ V _{CC} | | | ±1 | |
| V _{IK} | Clamp Diode Voltage | V _{CC} = Min, I _{IN} = -18mA | | -0.73 | -1.2 | V |
| R _{ON} | Switch On Resistance ⁽³⁾ | V _{CC} = Min, V _{IN} = 0.0V I _{ON} = 48mA or 64mA | | 5 | 7 | Ω |
| | | V _{CC} = Min, V _{IN} = 0.0V I _{ON} = 48mA or 64mA | | 8 | 15 | |

Capacitance (T_A = 25°C, f = 1 MHz)

| Parameters ⁽⁴⁾ | Description | Test Conditions | Typ. | Units |
|---------------------------|-----------------------------|----------------------|------|-------|
| C _{IN} | Input Capacitance | V _{IN} = 0V | 3.5 | pF |
| COFF | A/B Capacitance, Switch Off | | 5.0 | |
| CON | A/B Capacitance, Switch On | | 10.0 | |

Notes:

1. For Max. or Min. conditions, use appropriate value specified under Electrical Characteristics for the applicable device type.
2. Typical values are at V_{CC} = 3.3V, T_A = 25°C ambient and maximum loading.
3. Measured by the voltage drop between A and B pin at indicated current through the switch. ON resistance is determined by the lower of the voltages on the two (A,B) pins.
4. This parameter is determined by device characterization but is not production tested.

Power Supply Characteristics

| Parameters | Description | Test Conditions ⁽¹⁾ | Min. | Typ. ⁽²⁾ | Max. | Units |
|------------|-------------------------------------|--|------|---------------------|------|-------|
| ICC | Quiescent Power Supply Current | V _{CC} = Max, V _{IN} = GND or V _{CC} | | 260 | 500 | μA |
| DICC | Supply Current per Input @ TTL HIGH | V _{CC} = Max, V _{IN} = 3.0V ⁽³⁾ | | | 750 | |

Notes:

1. For Max. or Min. conditions, use appropriate value specified under Electrical Characteristics for the applicable device.
2. Typical values are at V_{CC} = 3.3V, +25°C ambient.
3. Per TTL driven input (control inputs only); A and B pins do not contribute to ICC.

Switching Characteristics over 3.3V Operating Range

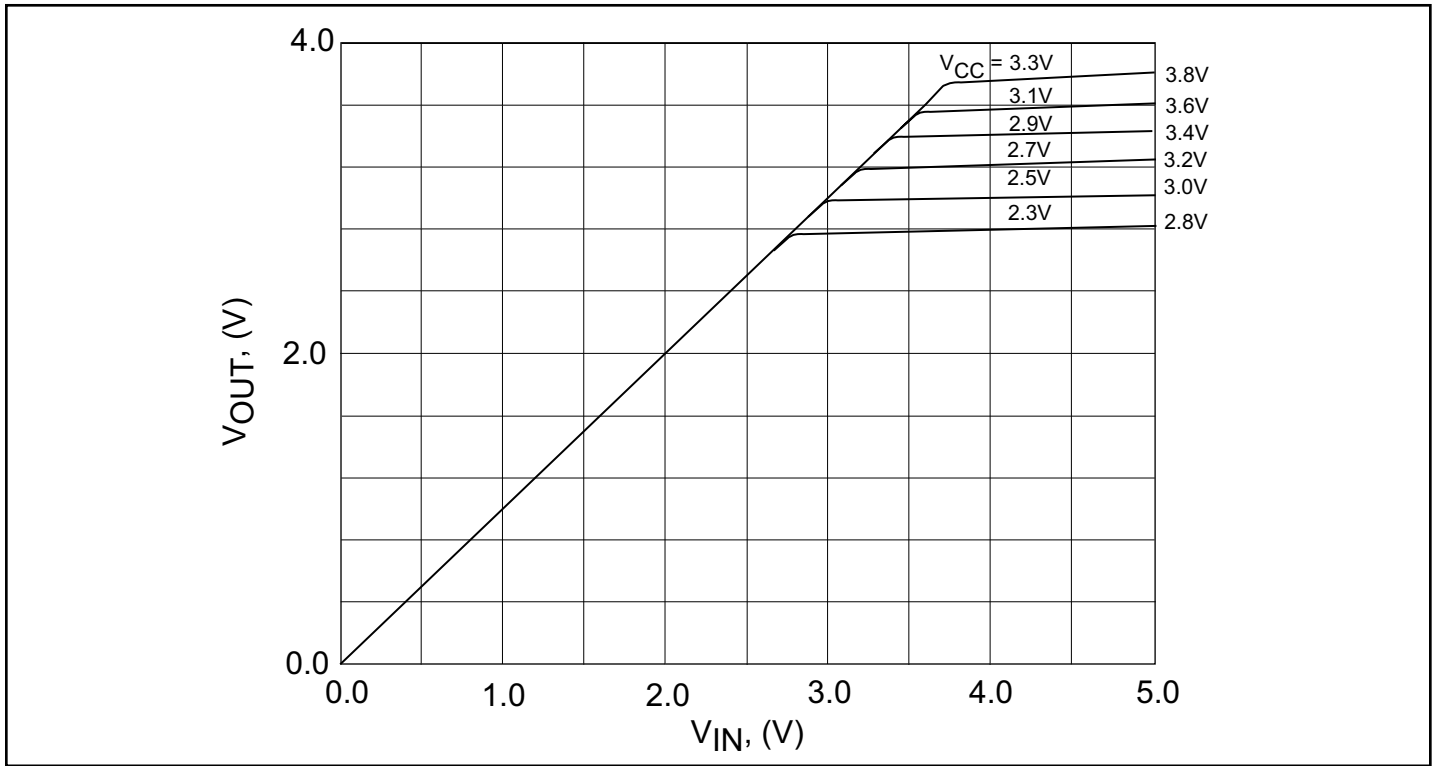
| Parameters | Description | Conditions ⁽¹⁾ | Com. | | Units |
|--------------|--|---|------|------|-------|
| | | | Min | Max | |
| tPLH tPHL | Propogation Delay ^(2,3) Ax to Bx, Bx to Ax | C _L = 50pF R _L = 500-ohm | | 0.25 | ns |
| tPZH tPZL | Bus Enable Time $\overline{\text{BEx}}$ to Ax or Bx | C _L = 50pF R _L = 500-ohm | 1.5 | 6.5 | |
| tPHZ tPLZ | Bus Disable Time $\overline{\text{BEx}}$ to Ax or Bx | R = 500-ohm | 1.5 | 5.5 | |

Switching Characteristics over 2.5V Operating Range

| Parameters | Description | Conditions ⁽¹⁾ | Com. | | Units |
|--------------|--|---|------|------|-------|
| | | | Min | Max | |
| tPLH tPHL | Propogation Delay ^(2,3) Ax to Bx, Bx to Ax | C _L = 50pF R _L = 500-ohm | | 0.25 | ns |
| tPZH tPZL | Bus Enable Time $\overline{\text{BEx}}$ to Ax or Bx | C _L = 50pF R _L = 500-ohm | 1.5 | 9.8 | |
| tPHZ tPLZ | Bus Disable Time $\overline{\text{BEx}}$ to Ax or Bx | R = 500-ohm | 1.5 | 8.3 | |

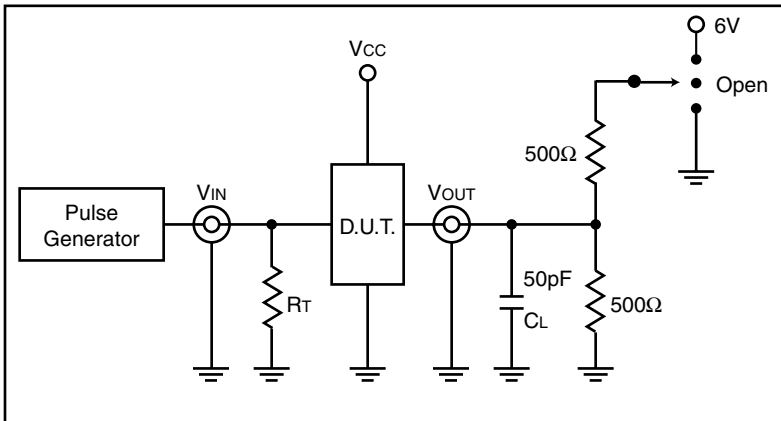
Notes:

1. See test circuit and waveforms.
2. This parameter is guaranteed but not tested on Propagation Delays.
3. The bus switch contributes no propagational delay other than the RC delay of the ON resistance of the switch and the load capacitance. The time constant for the switch alone is of the order of 0.25ns for 50pF load. Since this time constant is much smaller than the rise/fall times of typical driving signals, it adds very little propagational delay to the system. Propagational delay of the bus switch when used in a system is determined by the driving circuit on the driving side of the switch and its interaction with the load on the driven side.



Output Voltage vs. Input Voltage over Various Supply Voltages

Test Circuit



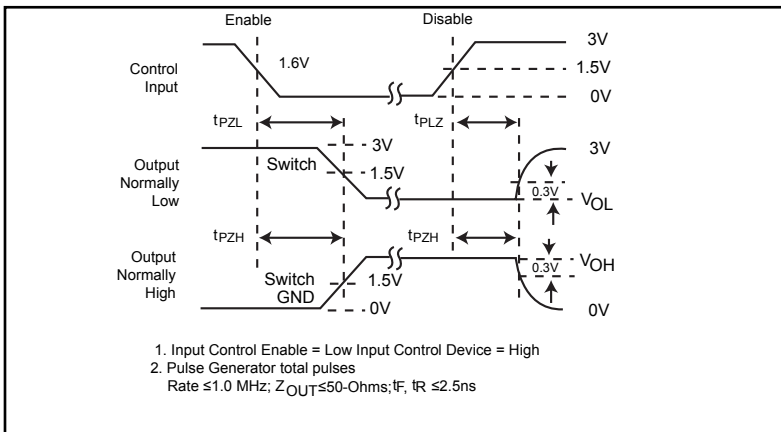
Switch Position

| Test | Switch |
|-----------------|--------|
| Disable LOW | 6V |
| Enable LOW | 6V |
| Disable HIGH | GND |
| Enable HIGH | GND |
| t _{PD} | Open |

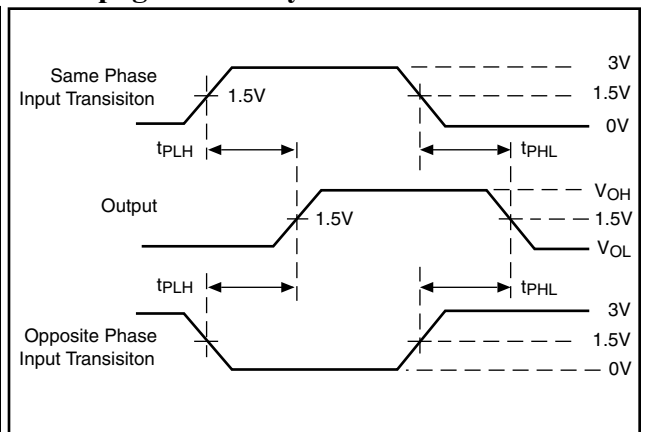
Definitions:

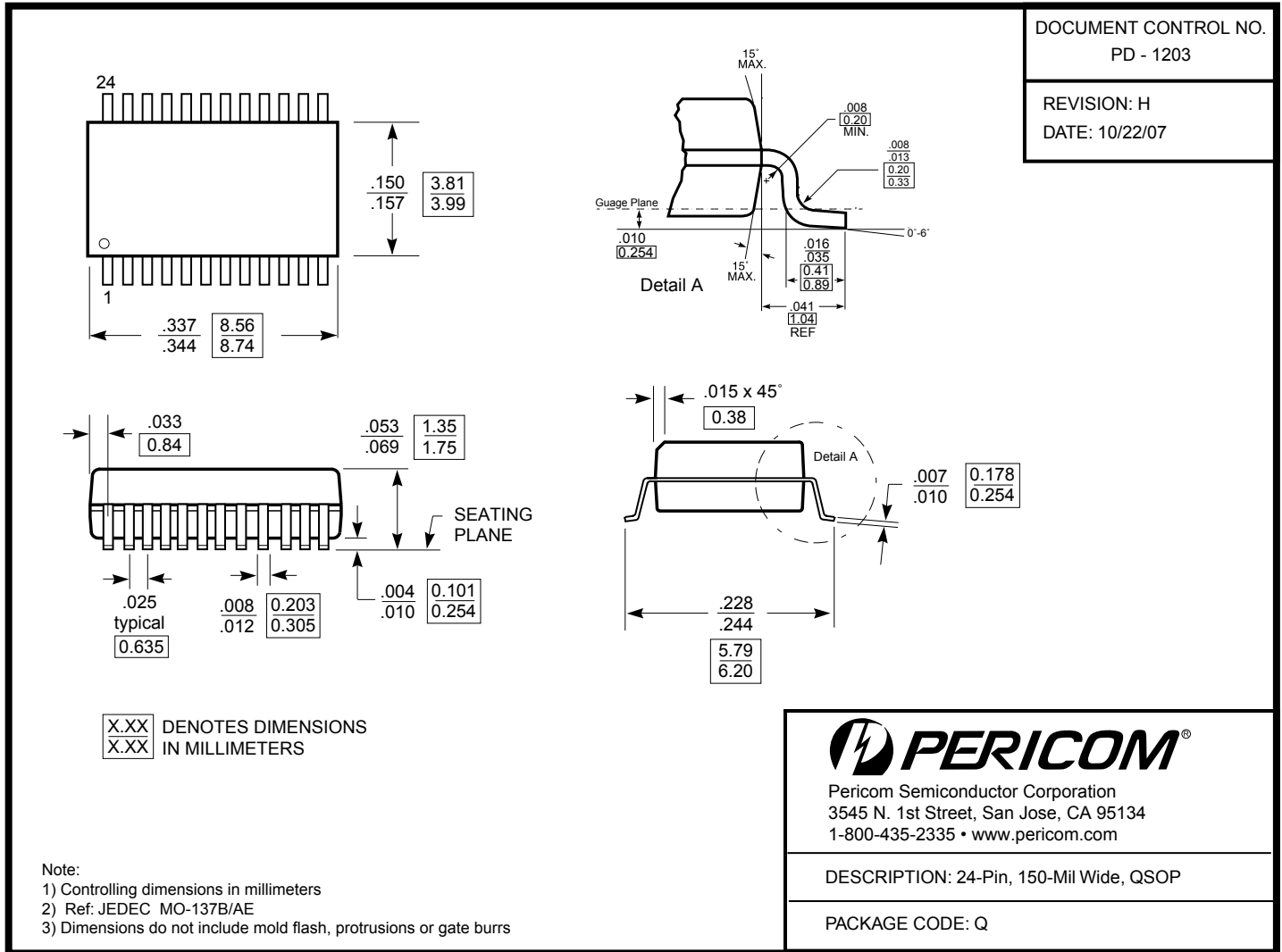
C_L = Load capacitance (includes jig and probe capacitance)
R_T = Termination resistance (should be equal to Z_{OUT} of the pulse generator)

Enable and Disable Timing



Propagation Delay





Ordering Information

| Ordering Code | Package Code | Package Description |
|---------------|--------------|------------------------------|
| PI3C3384QE | Q | Pb-Free & Green, 24-pin QSOP |

Notes:

1. Thermal characteristics can be found on the company web site at www.pericom.com/packaging/
2. E = Pb-free and Green
3. Adding an X suffix = Tape/Reel

Mouser Electronics

Authorized Distributor

Click to View Pricing, Inventory, Delivery & Lifecycle Information:

[Diodes Incorporated:](#)

[PI3C3384QE](#)

Компания «Life Electronics» занимается поставками электронных компонентов импортного и отечественного производства от производителей и со складов крупных дистрибьюторов Европы, Америки и Азии.

С конца 2013 года компания активно расширяет линейку поставок компонентов по направлению коаксиальный кабель, кварцевые генераторы и конденсаторы (керамические, пленочные, электролитические), за счёт заключения дистрибьюторских договоров

Мы предлагаем:

- Конкурентоспособные цены и скидки постоянным клиентам.
- Специальные условия для постоянных клиентов.
- Подбор аналогов.
- Поставку компонентов в любых объемах, удовлетворяющих вашим потребностям.
- Приемлемые сроки поставки, возможна ускоренная поставка.
- Доставку товара в любую точку России и стран СНГ.
- Комплексную поставку.
- Работу по проектам и поставку образцов.
- Формирование склада под заказчика.
- Сертификаты соответствия на поставляемую продукцию (по желанию клиента).
- Тестирование поставляемой продукции.
- Поставку компонентов, требующих военную и космическую приемку.
- Входной контроль качества.
- Наличие сертификата ISO.

В составе нашей компании организован Конструкторский отдел, призванный помогать разработчикам, и инженерам.

Конструкторский отдел помогает осуществить:

- Регистрацию проекта у производителя компонентов.
- Техническую поддержку проекта.
- Защиту от снятия компонента с производства.
- Оценку стоимости проекта по компонентам.
- Изготовление тестовой платы монтаж и пусконаладочные работы.



Тел: +7 (812) 336 43 04 (многоканальный)

Email: org@lifeelectronics.ru