

Interface converter - PSM-ME-RS 232/RS485-P - 2744416

Please be informed that the data shown in this PDF Document is generated from our Online Catalog. Please find the complete data in the user's documentation. Our General Terms of Use for Downloads are valid (<http://download.phoenixcontact.com>)




Interface converter, for converting RS-232 (V.24) to RS-422 (V.11) and RS-485, with electrical isolation, 2 channels, rail-mountable

Why buy this product

- ✓ RS-422 4-wire point-to-point operation
- ✓ RS-485 2-wire operation, half duplex
- ✓ RS-485 4-wire operation, full duplex
- ✓ Automatic RS-485 transmit/receive changeover
- ✓ Transmission speed of 4.8 kbps to 115.2 kbps
- ✓ Integrated data indicator for dynamic indication of transmit and receive data
- ✓ High-quality 3-way isolation between power supply, RS-232, and RS-422/RS-485 for safe decoupling of potentials with 2 kV
- ✓ Integrated surge protection with transient discharge to the DIN rail



Key commercial data

Packing unit	1
Minimum order quantity	1
Catalog page	Page 489 (IF-2011)
GTIN	 4 017918 171780
Custom tariff number	85176200
Country of origin	GERMANY

Technical data

Serial interface

Interface 1	V.24 (RS-232) interface in acc. with ITU-T V.28, EIA/TIA-232, DIN 66259-1
Connection method	D-SUB-9 male connector
Conductor cross section stranded min.	0.2 mm ²
Conductor cross section stranded max.	2.5 mm ²
Conductor cross section AWG/kcmil min.	24
Conductor cross section AWG/kcmil max.	13
Serial transmission speed	115.2 kbps

Interface converter - PSM-ME-RS 232/RS485-P - 2744416

Technical data

Serial interface

Interface 2	RS-422 interface in acc. with ITU-T V.11, EIA/TIA-422, DIN 66348-1
Termination resistor	150 Ω can be connected; pull up/down 390 Ω
Transmission length	1200 m (twisted pair)
Connection method	Pluggable screw connection
Conductor cross section stranded min.	0.2 mm ²
Conductor cross section stranded max.	2.5 mm ²
Conductor cross section AWG/kcmil min.	24
Conductor cross section AWG/kcmil max	13
Serial transmission speed	115.2 kbps
Interface 3	RS-485 interface in acc. with EIA/TIA-485, DIN 66259-1
Connection method	Pluggable screw connection
Transmission length	1200 m (twisted pair)
Termination resistor	150 Ω can be connected; pull up/down 390 Ω
Conductor cross section stranded max.	2.5 mm ²
Conductor cross section stranded min.	0.2 mm ²
Conductor cross section AWG/kcmil max	14
Conductor cross section AWG/kcmil min.	24
Data direction switching	Automatic control or via RTS/CTS
Serial transmission speed	115.2 kbps

Power supply

Nominal supply voltage	24 V AC/DC ±20 %
Typical current consumption	85 mA (24 V DC)

General data

Transmission channels	2 (1/1), RxD, TxD, full duplex
Bit delay	≤ 3 μs
Bit distortion	≤ 5 %
Width	22.5 mm
Height	99 mm
Depth	118.6 mm
Ambient temperature (operation)	0 °C ... 55 °C
Ambient temperature (storage/transport)	-40 °C ... 85 °C
Permissible humidity (operation)	10 % ... 95 % (no condensation)
Altitude	5000 m (For restrictions see manufacturer's declaration)
Electrical isolation	(VCC // V.24 (RS-232) // RS-485)
Test voltage data interfaces	2 kV AC
Test voltage data interface/power supply	2 kV AC
Test voltage data interface/power supply	2 kV
Electromagnetic compatibility	Conformance with EMC Directive 2004/108/EC
Noise emission	EN 50 081-1
Noise immunity	EN 61000-6-2:2005
Net weight	120 g

Interface converter - PSM-ME-RS 232/RS485-P - 2744416

Technical data

General data

Housing material	PA
Color	green
MTBF	923 Years (Telcordia standard, 25°C temperature, 21% operating cycle (5 days a week, 8 hours a day))
MTBF	179 Years (Telcordia standard, 40°C temperature, 34.25% operating cycle (5 days a week, 12 hours a day))
UL, USA / Canada	Class I, Div. 2, Groups A, B, C, D

Classifications

eclass

eCl@ss 4.0	27250312
eCl@ss 4.1	27250312
eCl@ss 5.0	27242208
eCl@ss 5.1	27242208
eCl@ss 6.0	27242208
eCl@ss 7.0	27242208

etim

ETIM 2.0	EC000698
ETIM 3.0	EC000698
ETIM 4.0	EC000698

unspsc

UNSPSC 6.01	30211506
UNSPSC 7.0901	39121008
UNSPSC 11	39121008
UNSPSC 12.01	39121008
UNSPSC 13.2	43201553

Approvals

Approvals

Approvals

UL Recognized / cUL Recognized / GOST / DNV / cULus Recognized

Ex Approvals


UL Recognized / cUL Recognized / cULus


Approvals submitted

Interface converter - PSM-ME-RS 232/RS485-P - 2744416

Approvals


Approval details

UL Recognized 

cUL Recognized 

GOST 

DNV

cULus Recognized 

Accessories

Accessories

Assembly

Electronic housing - ME-SAS - 2853899



Shield connection clamp for printed circuit terminal block

Cable/conductor

Data cable - PSM-KA 9 SUB 25/BB/2METER - 2761059



RS-232 cable, 9-pos. D-SUB female connector 25-pos on D-SUB female connector

Interface converter - PSM-ME-RS 232/RS485-P - 2744416

Accessories

Data cable - PSM-KA9SUB9/BB/2METER - 2799474



RS-232 cable, 9-pos. D-SUB female connector on 9-pos. D-SUB female connector, 9-wire, 1:1

Tools

Screwdriver - SZF 1-0,6X3,5 - 1204517



Actuation tool, for ST terminal blocks, also suitable for use as a bladed screwdriver, size: 0.6 x 3.5 x 100 mm, 2-component grip, with non-slip grip

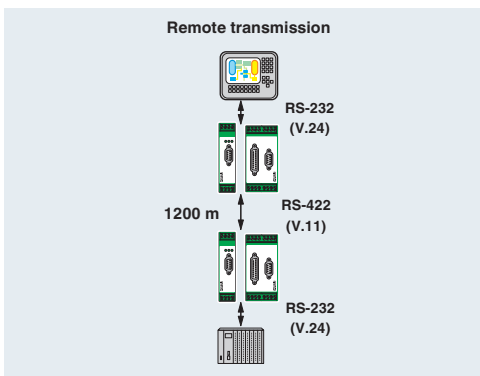
Termination resistor - PSI-TERMINATOR-PB - 2313944



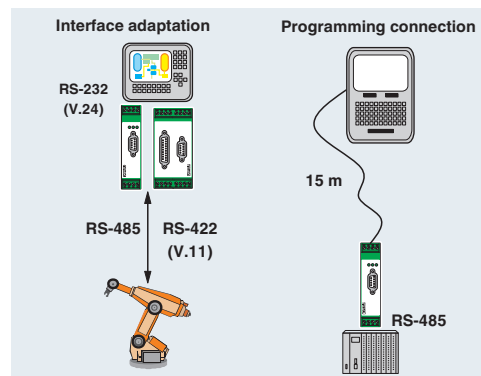
Active termination resistor with redundant voltage supply for PROFIBUS and RS-485 bus systems. Compact design. Electrical isolation between supply and data interface. Bus termination can be switched. Integrated programming interface.

Drawings

Application drawing

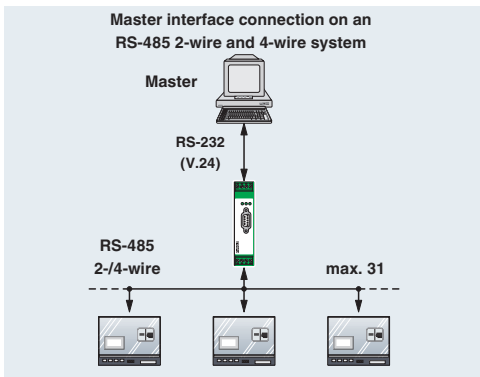


Application drawing

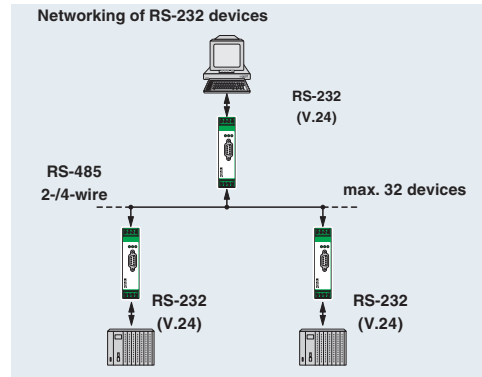


Interface converter - PSM-ME-RS 232/RS485-P - 2744416

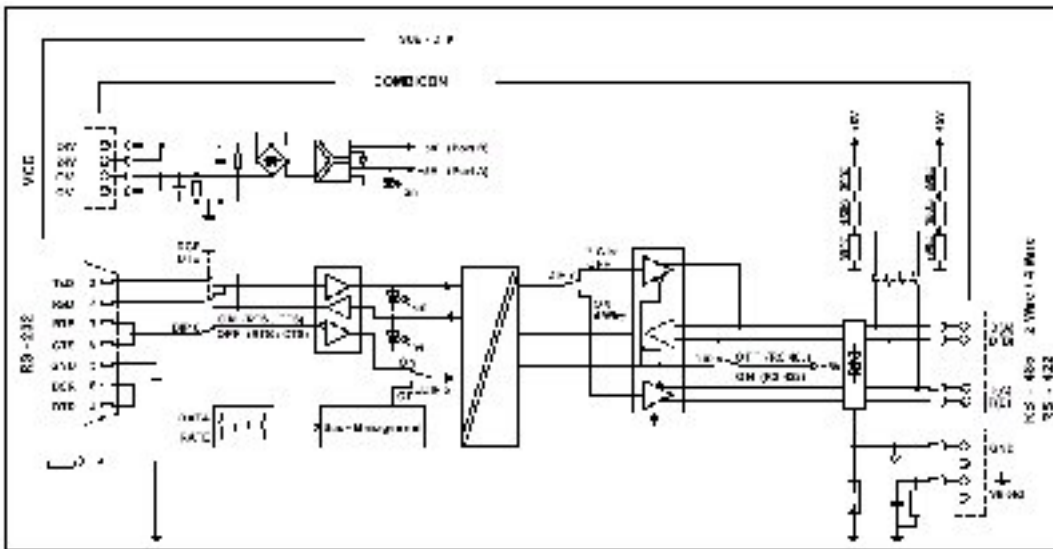
Application drawing



Application drawing



Circuit diagram



Компания «Life Electronics» занимается поставками электронных компонентов импортного и отечественного производства от производителей и со складов крупных дистрибьюторов Европы, Америки и Азии.

С конца 2013 года компания активно расширяет линейку поставок компонентов по направлению коаксиальный кабель, кварцевые генераторы и конденсаторы (керамические, пленочные, электролитические), за счёт заключения дистрибьюторских договоров

Мы предлагаем:

- Конкурентоспособные цены и скидки постоянным клиентам.
- Специальные условия для постоянных клиентов.
- Подбор аналогов.
- Поставку компонентов в любых объемах, удовлетворяющих вашим потребностям.
- Приемлемые сроки поставки, возможна ускоренная поставка.
- Доставку товара в любую точку России и стран СНГ.
- Комплексную поставку.
- Работу по проектам и поставку образцов.
- Формирование склада под заказчика.
- Сертификаты соответствия на поставляемую продукцию (по желанию клиента).
- Тестирование поставляемой продукции.
- Поставку компонентов, требующих военную и космическую приемку.
- Входной контроль качества.
- Наличие сертификата ISO.

В составе нашей компании организован Конструкторский отдел, призванный помогать разработчикам, и инженерам.

Конструкторский отдел помогает осуществить:

- Регистрацию проекта у производителя компонентов.
- Техническую поддержку проекта.
- Защиту от снятия компонента с производства.
- Оценку стоимости проекта по компонентам.
- Изготовление тестовой платы монтаж и пусконаладочные работы.



Тел: +7 (812) 336 43 04 (многоканальный)

Email: org@lifeelectronics.ru