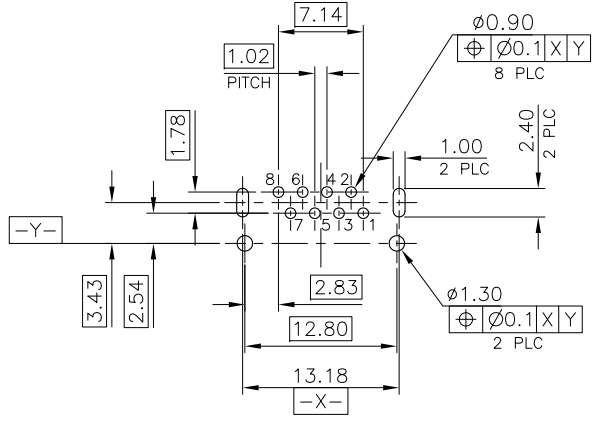
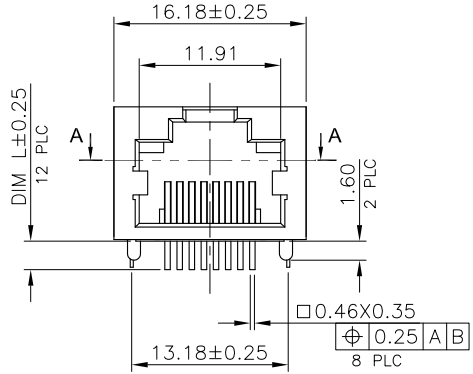
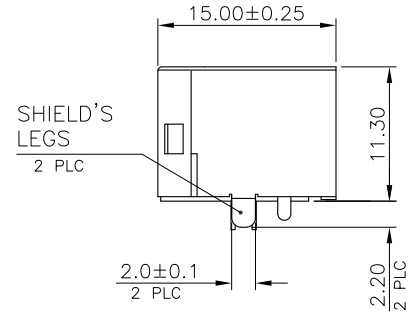
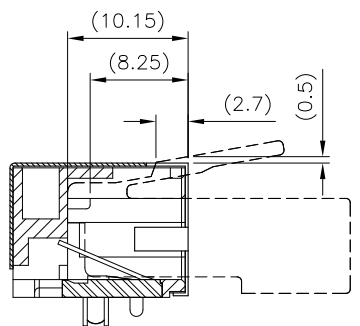
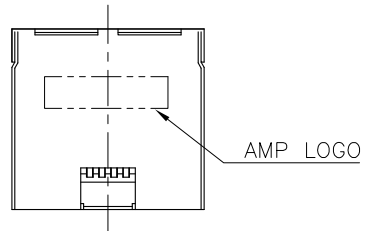
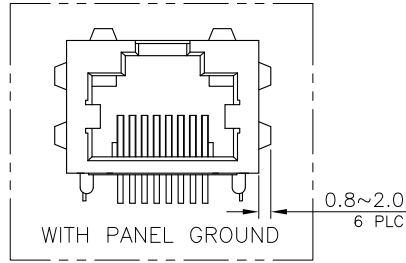
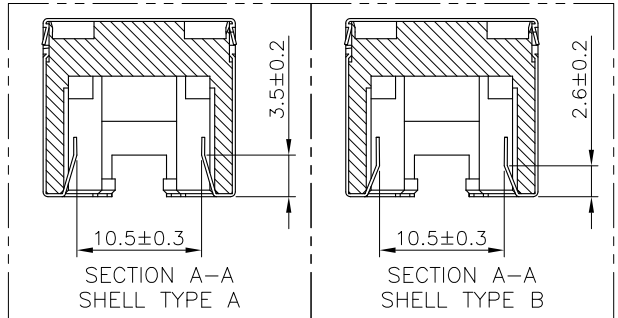


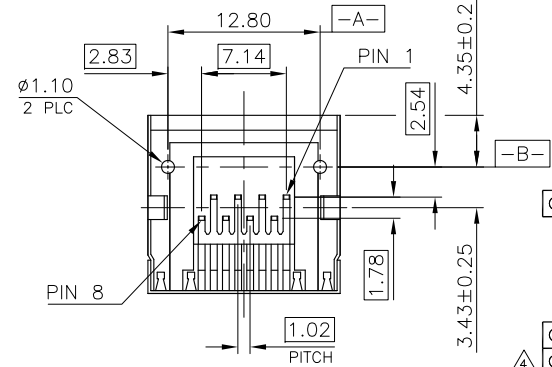
THIS DRAWING IS UNPUBLISHED. RELEASED FOR PUBLICATION
 © COPYRIGHT 2010 BY TYCO ELECTRONICS CORPORATION. ALL RIGHTS RESERVED.

LOC		DIST		REVISIONS					
DW				P	LTR	DESCRIPTION	DATE	DWN	APVD
				E		REVISED (ECR-12-012115) OBSOLETE PNs: -3, -8, -13, -14, -16 & -17	26OCT'12	E.L.	W.K.



RECOMMENDED PCB LAYOUT (THICKNESS: 1.6MM)
 (DIMENSION TOLERANCE: 1 PLC: ±0.1, 2 PLC: ±0.05)

- NOTE:
- MATERIAL:
 - HOUSING: PA9T WITH 30% GF, UL94 V-0, BLACK COLOR.
 - CONTACTS: PHOSPHOR BRONZE.
 - SHELL: BRASS.
 - FINISH:
 - CONTACTS: (SEE TABLE) GOLD PLATED ON CONTACT AREA. GOLD FLASH ON SOLDER TAIL. 1.27µm [50u"] MIN. NICKEL UNDERPLATED OVERALL.
 - SHELL: 0.51µm [20u"] MIN. NICKEL PLATED.
 - WAVE SOLDER CAPABLE TO 265°C PER TYCO TEST SPEC. 109-202, CONDITION B.
- ⚠️ OBSOLETE PART : OBSOLETE CIS STREAMLINING PER D.RENAUD/D.SINISI

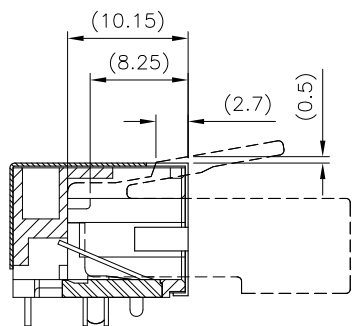
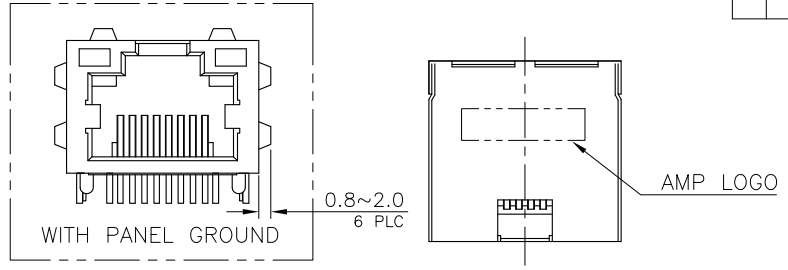


TAPE & REEL	W/O			2.2	6u"	3-1734795-2	
TRAY	W/	W/O	TYPE A	1.5	6u"	3-1734795-1	
					50u"	1734795-8	
					30u"	1734795-7	
	W/O			TYPE B		15u"	1734795-6
						6u"	1734795-5
						50u"	1734795-4
W/O	TYPE A		30u"		1734795-3		
			15u"		1734795-2		
			6u"		1734795-1		
PACKAGE TYPE		PANEL GROUND	LED	SHELL TYPE	DIM L	MIN. GOLD THICKNESS	PART NUMBER

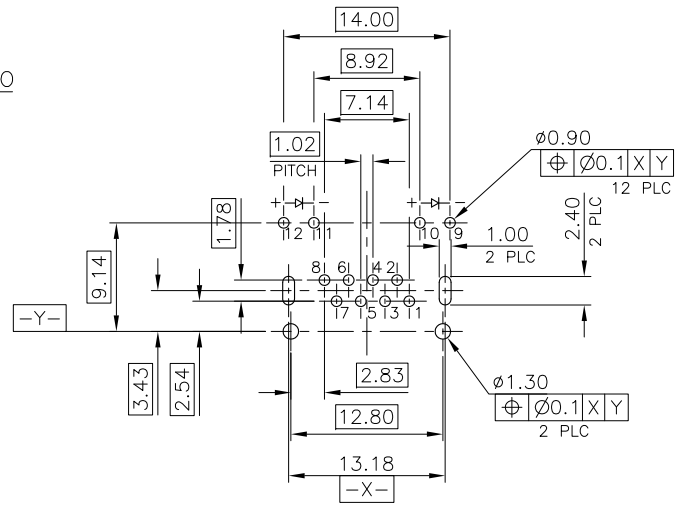
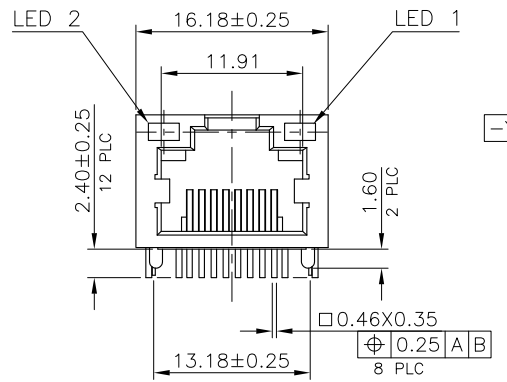
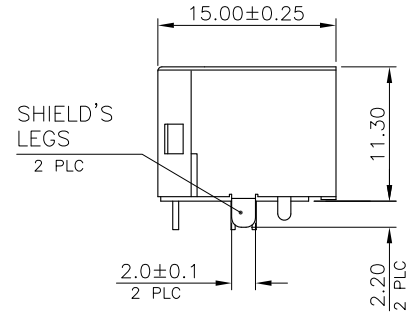
THIS DRAWING IS A CONTROLLED DOCUMENT.		DWN	O. HU	14SEP2007	TE Connectivity		
DIMENSIONS: mm		CHK	S. HOU	14SEP2007			
TOLERANCES UNLESS OTHERWISE SPECIFIED:		APVD	W.J. KE	14SEP2007	NAME MODULAR JACK CONNECTOR RJ45, 8P8C, SHIELDED TAB UP, DIP TYPE, H=11.3mm		
0 PLC ± - 1 PLC ± 0.3 2 PLC ± 0.2 3 PLC ± 0.15 4 PLC ± - ANGLES ± 3'		PRODUCT SPEC		SIZE CAGE CODE DRAWING NO RESTRICTED TO A3 00779 C=1734795			
MATERIAL SEE NOTE		FINISH SEE NOTE		APPLICATION SPEC		WEIGHT 3.5 GRAMS CUSTOMER DRAWING	
				SCALE		SHEET 1 OF 5 REV E	

THIS DRAWING IS UNPUBLISHED.
 RELEASED FOR PUBLICATION
 © COPYRIGHT 2010 BY TYCO ELECTRONICS CORPORATION. ALL RIGHTS RESERVED.

LOC	DW	DIST	REVISIONS			
P	LTR	DESCRIPTION	DATE	DWN	APVD	
		SEE SHEET 1.				



MATING WITH RJ-45 PLUG
(REFERENCE)



RECOMMENDED PCB LAYOUT (THICKNESS: 1.6MM)
(DIMENSION TOLERANCE: 1 PLC: ±0.1, 2 PLC: ±0.05)

- NOTE:
- MATERIAL:
 - HOUSING: PA9T WITH 30% GF, UL94 V-0, BLACK COLOR.
 - CONTACTS: PHOSPHOR BRONZE.
 - SHELL: BRASS.
 - LED LIGHT: EPOXY RESIN & STEEL
 - FINISH:
 - CONTACTS:
 - (SEE TABLE) GOLD PLATED ON CONTACT AREA.
 - GOLD FLASH ON SOLDER TAIL.
 - 1.27µm [50u"] MIN. NICKEL UNDERPLATED OVERALL.
 - SHELL: 0.51µm [20u"] MIN. NICKEL PLATED.
 - LED: 1.02µm [40u"] COPPER UNDERPLATED OVERALL.
 - 1.27µm [50u"] NICKEL OVERALL.
 - 1.27µm [50u"] SILVER ON BONDING AREA.
 - 2.54µm [100u"] BRIGHT-TIN ON SOLDER AREA.

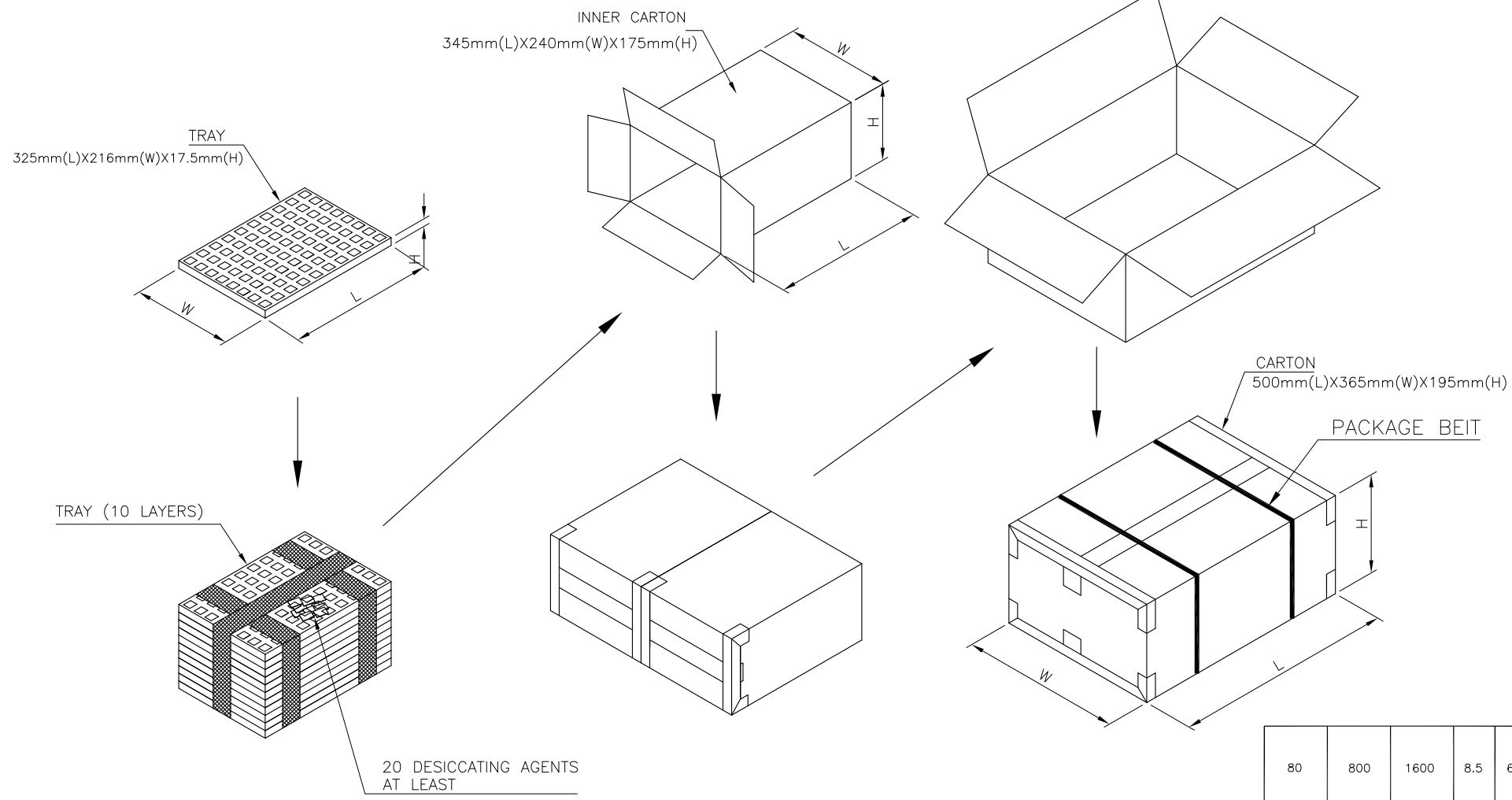
3. WAVE SOLDER CAPABLE TO 265°C PER TYCO TEST SPEC. 109-202, CONDITION B.
 ⚠️ OBSOLETE PART : OBSOLETE CIS STREAMLINING PER D.RENAUD/D.SINISI

OBSOLETE	w/	GREEN	GREEN	15u"	2-1734795-2
				50u"	1-1734795-8
OBSOLETE		ORANGE	YELLOW	30u"	1-1734795-7
				15u"	1-1734795-6
				6u"	1-1734795-5
OBSOLETE	w/o	YELLOW	GREEN	50u"	1-1734795-4
OBSOLETE				30u"	1-1734795-3
OBSOLETE				15u"	1-1734795-2
				6u"	1-1734795-1
	PANEL GROUND	LED 2	LED 1	MIN. GOLD THICKNESS	PART NUMBER
		LED'S COLOR			

THIS DRAWING IS A CONTROLLED DOCUMENT.		DWN			
DIMENSIONS: mm		CHK			
TOLERANCES UNLESS OTHERWISE SPECIFIED:		APVD			
0 PLC ± - 1 PLC ± 0.3 2 PLC ± 0.2 3 PLC ± 0.15 4 PLC ± - ANGLES ± - ± 3°		PRODUCT SPEC	NAME		
MATERIAL SEE NOTE		APPLICATION SPEC	MODULAR JACK CONNECTOR RJ45, 8P8C, SHIELDED TAB UP, DIP TYPE, H=11.3mm		
FINISH SEE NOTE		WEIGHT 3.5 GRAMS	SIZE A3	CAGE CODE 00779	DRAWING NO. C=1734795
		CUSTOMER DRAWING	RESTRICTED TO	SCALE	SHEET 2 OF 5
					REV E

THIS DRAWING IS UNPUBLISHED. RELEASED FOR PUBLICATION
 © COPYRIGHT 2010 BY TYCO ELECTRONICS CORPORATION. ALL RIGHTS RESERVED.

LOC DW	DIST	REVISIONS			
P	LTR	DESCRIPTION	DATE	DWN	APVD
		SEE SHEET 1.			



					1734795-4
					1734795-3
					1734795-2
					1734795-1
PCS/TRAY	TRAYS/CARTON	QUANTITY (PCS)	G/W (Kg)	N/W (Kg)	PART NUMBER
80	800	1600	8.5	6.5	

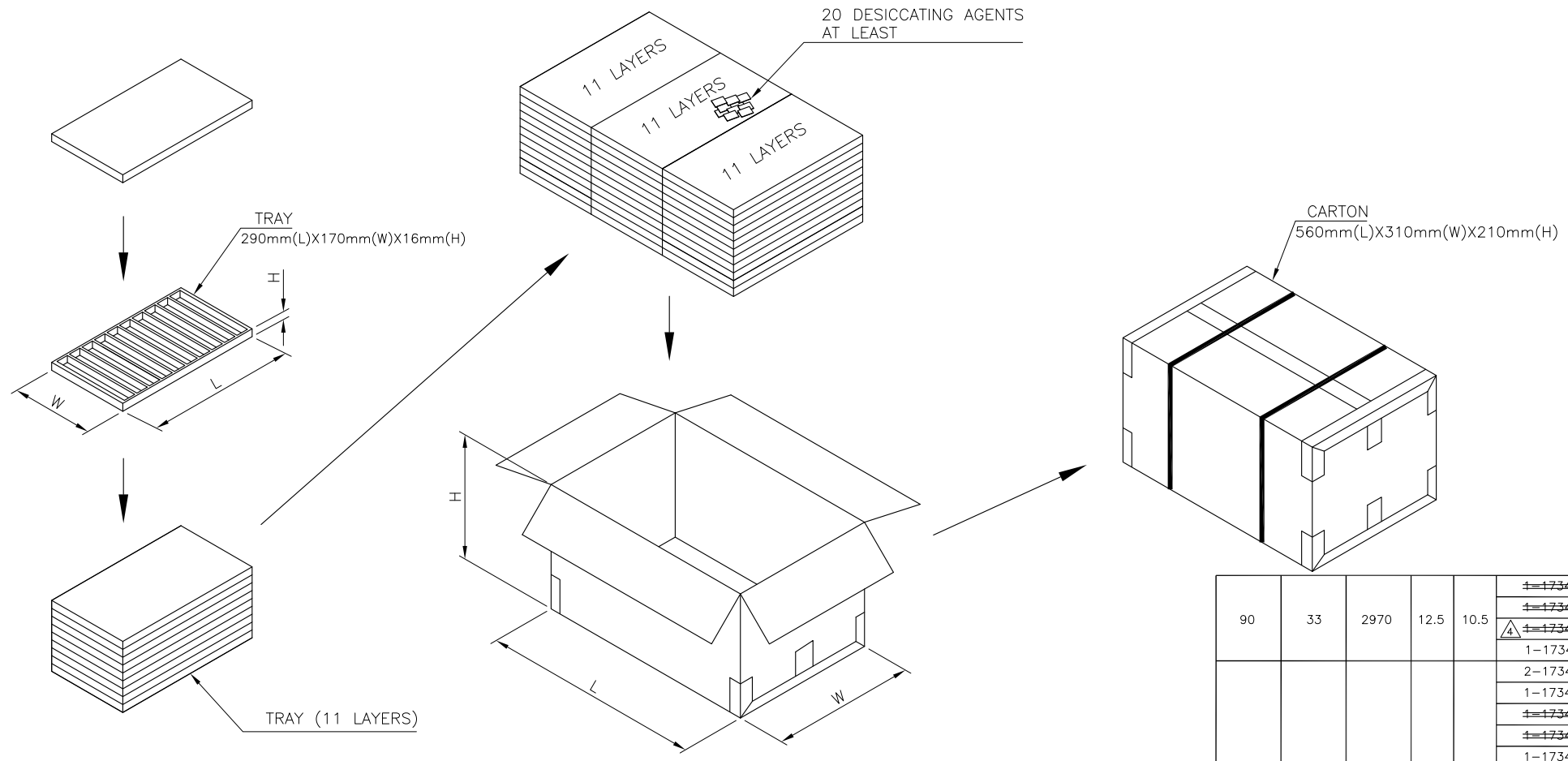
THIS DRAWING IS A CONTROLLED DOCUMENT.

DIMENSIONS: mm	TOLERANCES UNLESS OTHERWISE SPECIFIED: 0 PLC ± - 1 PLC ± 0.3 2 PLC ± 0.2 3 PLC ± 0.15 4 PLC ± - ANGLES ± 3'	DWN	NAME
		CHK	
MATERIAL	FINISH	APVD	PRODUCT SPEC
			APPLICATION SPEC
		WEIGHT	SIZE CAGE CODE DRAWING NO RESTRICTED TO
			A3 00779 ©=1734795
		CUSTOMER DRAWING	SCALE SHEET 3 of 5 REV E

STE TE Connectivity
 MODULAR JACK CONNECTOR
 RJ45, 8P8C, SHIELDED
 TAB UP, DIP TYPE, H=11.3mm

THIS DRAWING IS UNPUBLISHED. RELEASED FOR PUBLICATION
 © COPYRIGHT 2010 BY TYCO ELECTRONICS CORPORATION. ALL RIGHTS RESERVED.

LOC DW	DIST	REVISIONS			
P	LTR	DESCRIPTION	DATE	DWN	APVD
		SEE SHEET 1.			

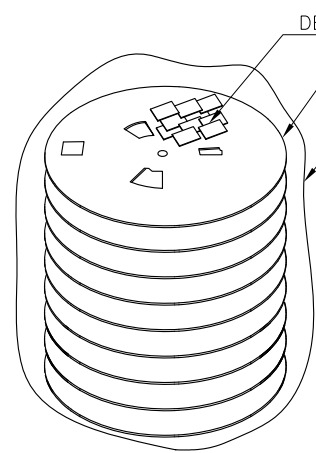
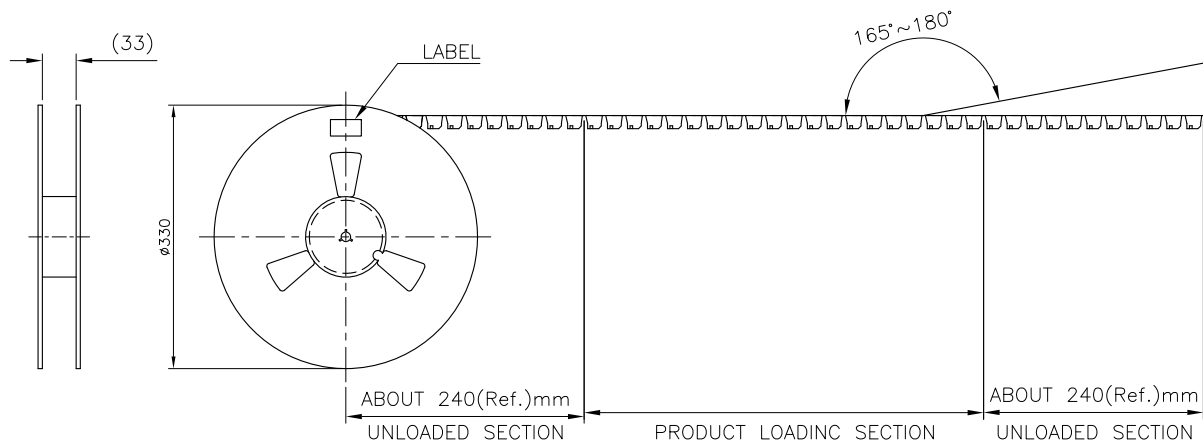


90	33	2970	12.5	10.5	1-1734795-4
					1-1734795-3
80	33	2640	11	9	1-1734795-2
					1-1734795-1
					2-1734795-2
					1-1734795-8
					1-1734795-7
					1-1734795-6
					1-1734795-5
					1-1734795-8
					1734795-7
					1734795-6
					1734795-5
PCS/TRAY	TRAYS/CARTON	QUANTITY (PCS)	G/W (Kg)	N/W (Kg)	PART NUMBER

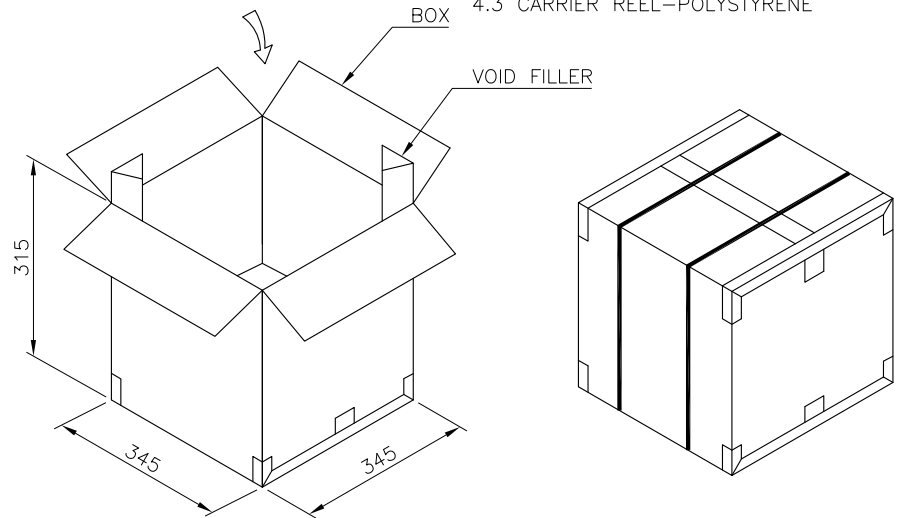
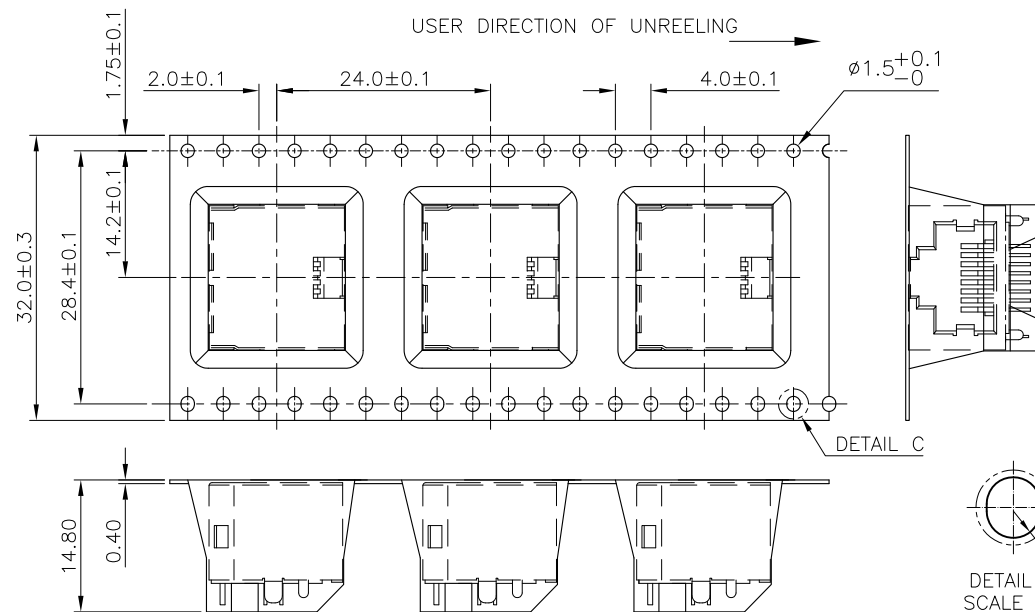
THIS DRAWING IS A CONTROLLED DOCUMENT.		DWN	STE TE Connectivity		
DIMENSIONS: mm		CHK			
TOLERANCES UNLESS OTHERWISE SPECIFIED:		APVD	NAME		
0 PLC ± -		PRODUCT SPEC	MODULAR JACK CONNECTOR		
1 PLC ± 0.3		APPLICATION SPEC	RJ45, 8P8C, SHIELDED		
2 PLC ± 0.2		WEIGHT	SIZE	CAGE CODE	DRAWING NO
3 PLC ± 0.15			A3	00779	C=1734795
4 PLC ± -			RESTRICTED TO		
4 ANGLES ± 3'			CUSTOMER DRAWING		
MATERIAL	FINISH		SCALE	SHEET	REV
				4 of 5	E

THIS DRAWING IS UNPUBLISHED. RELEASED FOR PUBLICATION
 © COPYRIGHT 2010 BY TYCO ELECTRONICS CORPORATION. ALL RIGHTS RESERVED.

LOC DW	DIST	REVISIONS			
P	LTR	DESCRIPTION	DATE	DWN	APVD
		SEE SHEET 1.			



- NOTE:
- EACH BAG SHALL BE INCLUDED:
*DESICCANT
 - PEELING STRENGTH: 0.1~1.3N(1~130 GRAMS)
FOR 12~56mm WIDE CARRIER TAPES
 - PEELING SPEED: 300mm/MINUTES.
 - PACKAGING MATERIAL:
 - COVER TAPE—COMPOSITE OF POLYETHYLENE TEREPHTHALATE (PET)
 - CARRIER—POLYSTYRENE (PS)
 - CARRIER REEL—POLYSTYRENE



8.7 KG	5.05 KG	180	8	1440	3-1734795-2 3-1734795-1
GROSS WEIGHT	NET WEIGHT	PCS/ REEL	REEL/ BOX	PCS/ BOX	PART NUMBER

THIS DRAWING IS A CONTROLLED DOCUMENT.		DWN	TE Connectivity			
DIMENSIONS: mm		CHK				
TOLERANCES UNLESS OTHERWISE SPECIFIED:		APVD	NAME			
0 PLC ± - 1 PLC ± 0.3 2 PLC ± 0.2 3 PLC ± 0.15 4 PLC ± - ANGLES ± 3°		PRODUCT SPEC	MODULAR JACK CONNECTOR RJ45, 8P8C, SHIELDED TAB UP, DIP TYPE, H=11.3mm			
MATERIAL		APPLICATION SPEC	SIZE	CAGE CODE	DRAWING NO	RESTRICTED TO
FINISH		WEIGHT	A3	00779	C=1734795	-
CUSTOMER DRAWING			SCALE	SHEET	5 of 5	REV E

Компания «Life Electronics» занимается поставками электронных компонентов импортного и отечественного производства от производителей и со складов крупных дистрибьюторов Европы, Америки и Азии.

С конца 2013 года компания активно расширяет линейку поставок компонентов по направлению коаксиальный кабель, кварцевые генераторы и конденсаторы (керамические, пленочные, электролитические), за счёт заключения дистрибьюторских договоров

Мы предлагаем:

- Конкурентоспособные цены и скидки постоянным клиентам.
- Специальные условия для постоянных клиентов.
- Подбор аналогов.
- Поставку компонентов в любых объемах, удовлетворяющих вашим потребностям.
- Приемлемые сроки поставки, возможна ускоренная поставка.
- Доставку товара в любую точку России и стран СНГ.
- Комплексную поставку.
- Работу по проектам и поставку образцов.
- Формирование склада под заказчика.
- Сертификаты соответствия на поставляемую продукцию (по желанию клиента).
- Тестирование поставляемой продукции.
- Поставку компонентов, требующих военную и космическую приемку.
- Входной контроль качества.
- Наличие сертификата ISO.

В составе нашей компании организован Конструкторский отдел, призванный помогать разработчикам, и инженерам.

Конструкторский отдел помогает осуществить:

- Регистрацию проекта у производителя компонентов.
- Техническую поддержку проекта.
- Защиту от снятия компонента с производства.
- Оценку стоимости проекта по компонентам.
- Изготовление тестовой платы монтаж и пусконаладочные работы.



Тел: +7 (812) 336 43 04 (многоканальный)

Email: org@lifeelectronics.ru