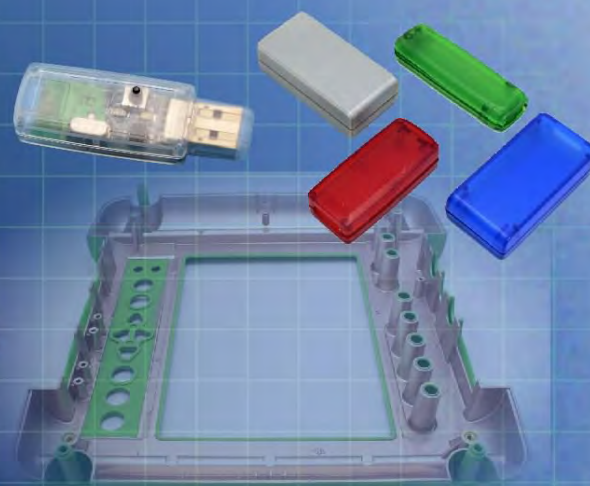
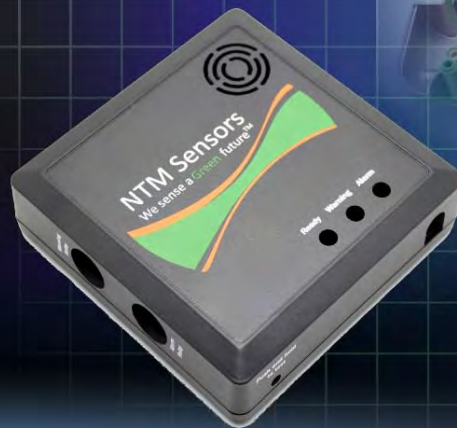


Ordering a market-ready enclosure® is made fast and affordable with our complete in-house capabilities. New Age provides machined openings to fit your PCB, pad printing for your graphics, custom enclosures, custom colors, final assembly, testing and fulfillment services to save you additional time and money. Ask your representative for a free quote today 805-595-1310.

Fast and Affordable Customization

**CNC Modifications
Pad Printing
Colored Resins
EMI/RF Shielding
Custom Enclosure
Assembly & Testing**



ISO quality
off-the-shelf
to market-ready®

NEW AGE ENCLOSURES

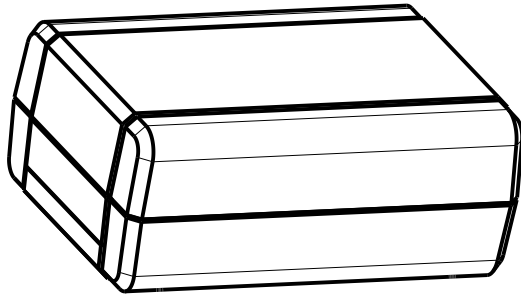
www.NewAgeEnclosures.com

4330 Santa Fe Road • San Luis Obispo, CA 93401 • T 805.595.1310 • F 805.595.1024

NOTES: UNLESS OTHERWISE SPECIFIED

- CORNERS DRAWN SHARP TO BE R.005 MAXIMUM.
- EXTERIOR SURFACE TEXTURE TO BE LIGHT EDM FINISH. EQUIVALENT TO MT-11010.
- INTERIOR SURFACE TEXTURE TO BE: NONE.
- ALL INSIDE RADII .010R. ALL OUTSIDE RADII .020R MAX, UNLESS OTHERWISE SPECIFIED.
- ALL EXTERNAL DIMENSIONS AFFECTED BY THE DRAFT APPLY AT THE LARGE END OF THE FEATURE, AND ALL INTERNAL FEATURES AFFECTED BY THE DRAFT APPLY AT THE SMALL END OF THE FEATURE UNLESS OTHERWISE SPECIFIED.
- 1 DEGREE DRAFT IN THE DIRECTION OF PULL IS PERMISSIBLE UNLESS OTHERWISE SPECIFIED.
- ASSEMBLY SCREWS FOR THE ENCLOSURE INCLUDED.
- MATERIAL / COLOR: ABS PLASTIC IS STANDARD IN BLACK OR WHITE. CUSTOM MATERIALS AND COLORS ARE AVAILABLE UPON REQUEST FOR QUOTE.
- PCB SIZES ARE RECOMMENDATIONS ONLY. FINAL SIZES AND VERIFICATION OF ITS FIT ARE THE SOLE RESPONSIBILITY OF EACH CUSTOMER.

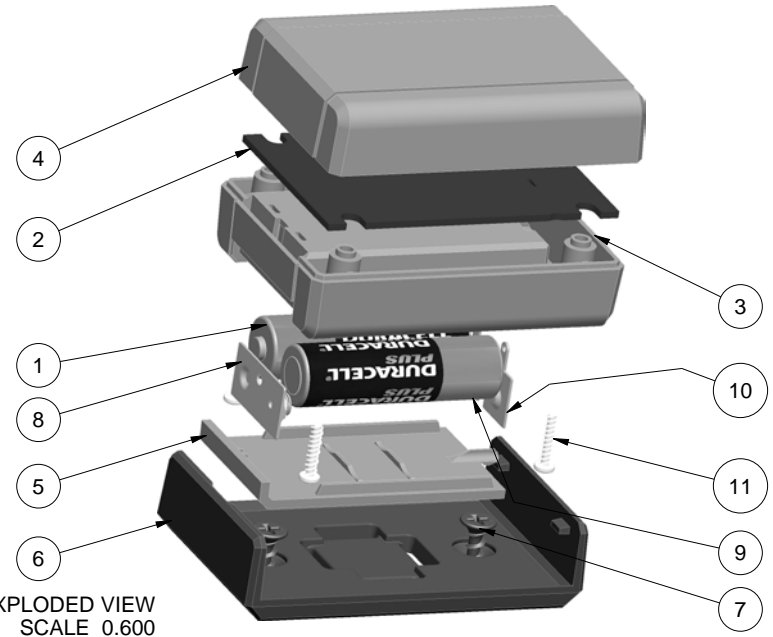
S302112(x) CONFIGURATIONS					
	-Blank	-T	-K	-TK	-WP
302112 COVER	1		1		
302112T COVER		1		1	
302112 BASE	1	1			
302112 MACHINED BASE			1	1	
302112 HATCH	1	1	1	1	
302112 WALL CRADLE			1	1	1
#4 HiLo SCREW .500"	4	4	4	4	



302112 STANDARD
SCALE 0.750

R E V I S I O N

REV.	DRAWN BY	ECO No	DESCRIPTION	DATE	APPROVED
A	M BOYER		PRELIMINARY RELEASE	21-Nov-09	D.C.
H	M BOYER		ADD RIBS AFTER REVIEW 7-12-10	13-Jul-10	D.C.
1.0	M BOYER		RELEASED BY CUSTOMER	21-Jul-10	D.C.
2.0	M BOYER	3810	ADJUST PCB INFO AND PCB POSTS	28-Sep-10	D.C.
2.1	M BOYER	3810	UNAPPROVED REV 2.0, UPDATE FORMAT	30-Sep-10	D.C.
3.0	R CRUZ	7613	ADD "TALL" CONFIGURATION	18-Oct-13	D.C.
4.0	M BOYER	8613	INCLUDE WALL CRADLE OPTION	16-Dec-13	D.C.
5.0	R CRUZ	2214	UPDATE CONFIGURATION TABLE	19-May-14	D.C.
5.1	R CRUZ	5014	REMOVE SCREW HOLE ON CRADLE, "TALL" CONFIGURATION	26-Nov-14	D.C.
6.0	M BOYER	00615	INCLUDE KEEP OUT ZONE AND ADD NOTCHES TO PCB	23-Jan-15	



EXPLODED VIEW
SCALE 0.600

ITEM	FILE NAME	DESCRIPTION	MATERIAL	COLOR	QTY.
11	SCREW_HILO-N04X500	#4 HiLo x .500" SCREW	STEEL	ZINK PLATED	4
10	AA-SINGL-CONTACT-POS	ACC-AAPOS-5223	SPRING STEEL	SOLD SEPERATELY	1
9	AA-SINGL-CONTACT-NEG	ACC-AANEG-5201	SPRING STEEL	SOLD SEPERATELY	1
8	AA-DBL-CONTACT	ACC-AADBL-5212	SPRING STEEL	SOLD SEPERATELY	1
7	SCREW-DRYWALLX750	DRYWALL SCREW - REFERENCE	CUSTOMER SUPPLIED	DRYWALL SCREW	2
6	302112_WALL-CRADLE	302112 WALL CRADLE - STANDARD	ABS	BLACK or WHITE	1
5	302112_HATCH	302112 HATCH - STANDARD	ABS	BLACK or WHITE	1
4	302112_COVER	302112 COVER - STANDARD	ABS	BLACK or WHITE	1
3	302112_BASE	302112 BASE - STANDARD	ABS	BLACK or WHITE	1
2	302112_PCB	302112 PCB - REFERENCE	CUSTOMER SUPPLIED	.062" THICK	1
1	AA-BATTERY	AA BATTERY - REFERENCE	CUSTOMER SUPPLIED	"AA" SIZE	2

BILL OF MATERIALS

THIRD ANGLE PROJECTION
DO NOT SCALE DRAWING

TOLERANCES: UNLESS OTHERWISE SPECIFIED
DIMENSIONS ARE IN U.S. INCHES.
X.XX = .015 X.XXXX = .001
X.XXX = .010 X.X" = 1°

NEW AGE ENCLOSURES

Customer's Part No: 302112

APPROVAL	BY	DATE
CHECK		
ENG.		
SCALE	AS NOTED	

DRAWN BY
M BOYER

21-Nov-09

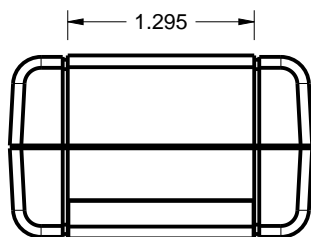
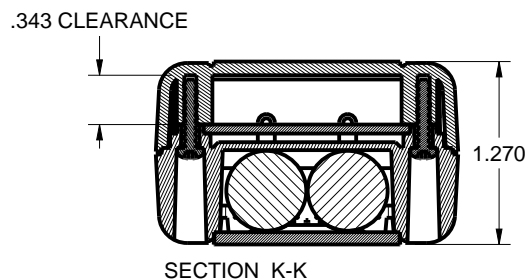
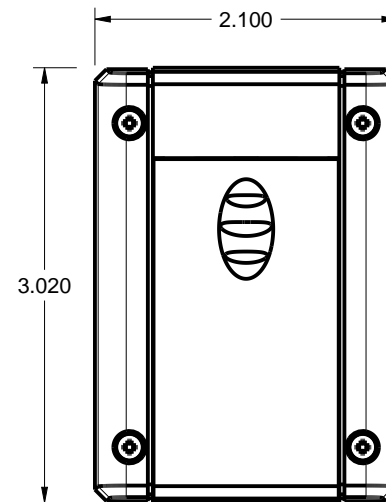
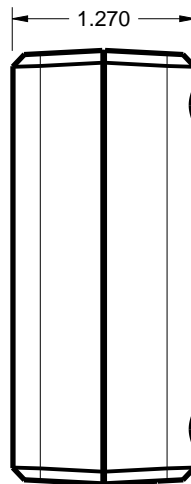
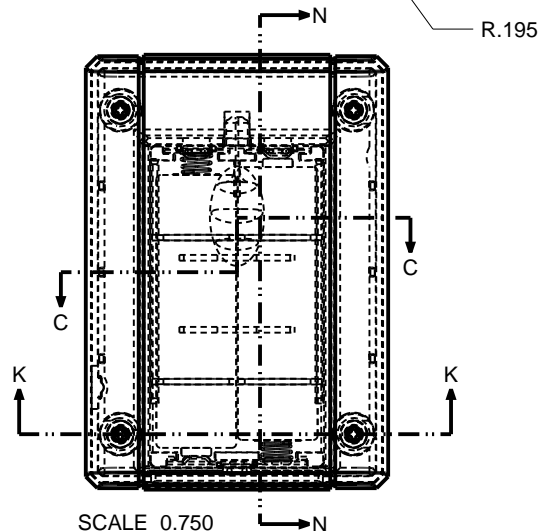
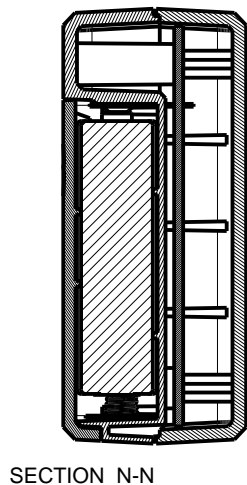
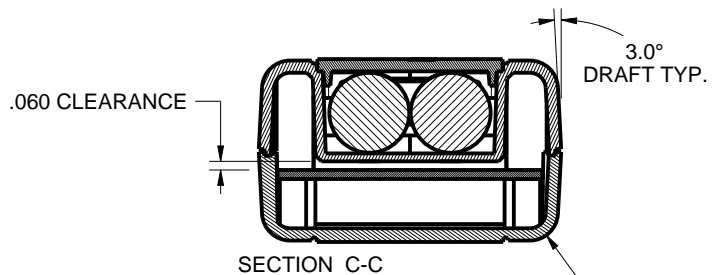
NEW AGE ENCLOSURES

4330 Santa Fe Road San Luis Obispo, CA. 93401
ph. (805) 595-1310 fax (805) 595-1024

www.newageenclosures.com

STANDARD - MINI AA
SXX-302112X-XXX

SIZE A DRAWING NAME 302112_R6_0 SHEET 1 OF 9 REV.DOC 6.0



TOLERANCES: UNLESS OTHERWISE SPECIFIED
DIMENSIONS ARE IN U.S. INCHES.

X.XX = .015 X.XXXX = .001
X.XXX = .010 X.X° = 1°

NEW AGE ENCLOSURES

Customer's Part No: 302112

APPROVAL	BY	DATE
CHECK		
ENG.		
SCALE	AS NOTED	
DRAWN BY	21-Nov-09	
M BOYER		

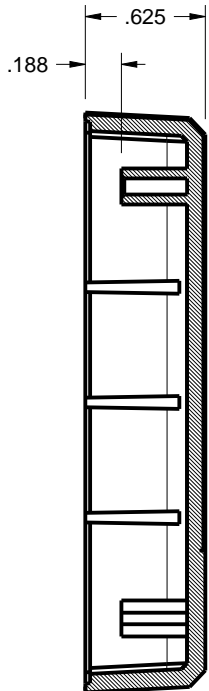
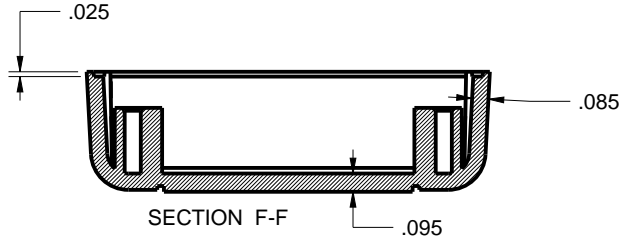
NEW AGE ENCLOSURES

4330 Santa Fe Road San Luis Obispo, CA. 93401
ph. (805) 595-1310 fax (805) 595-1024
www.newageenclosures.com

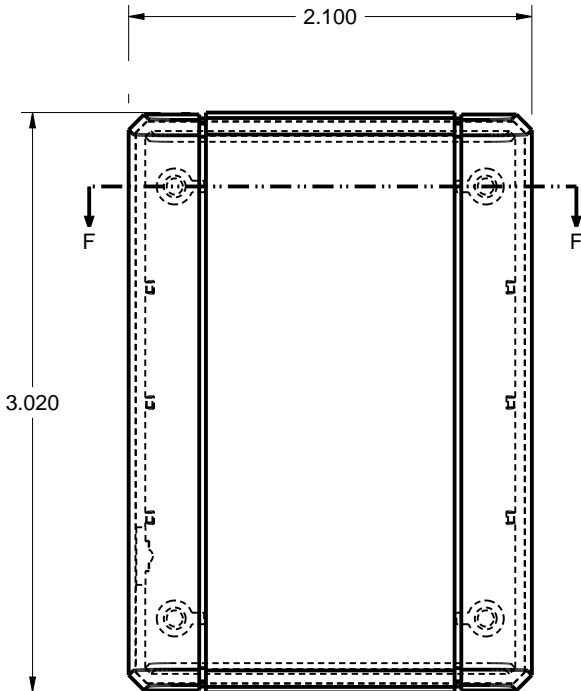
STANDARD - MINI AA
SXX-302112X-XXX

SIZE	DRAWING NAME	SHEET	REV.DOC
A	302112_R6_0	2 OF 9	6.0

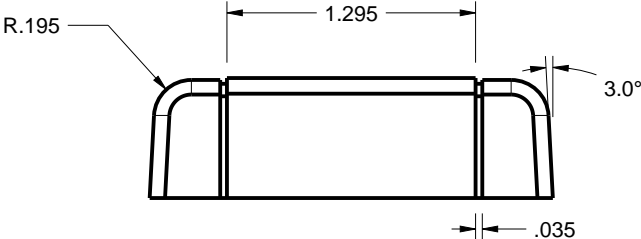
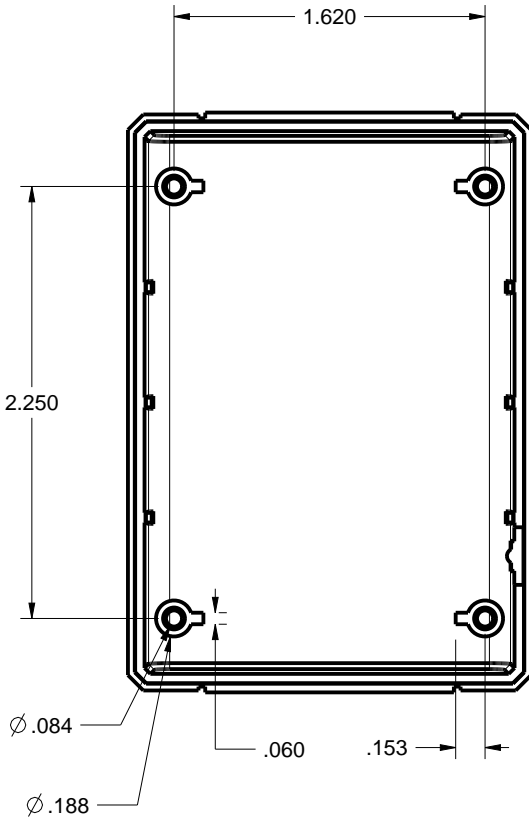
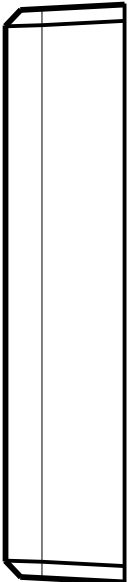
302112 - COVER



302112 STANDARD SECTION D-D



SCALE 1.000



TOLERANCES: UNLESS OTHERWISE SPECIFIED DIMENSIONS ARE IN U.S. INCHES.
 X.XX = .015 X.XXXX = .001
 X.XXX = .010 X.X° = 1°

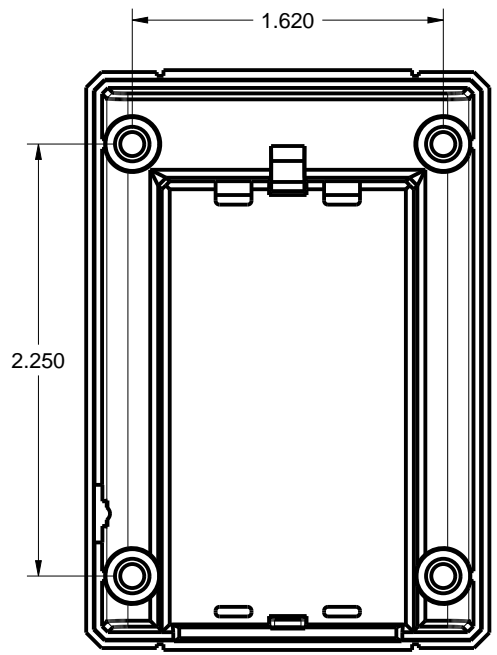
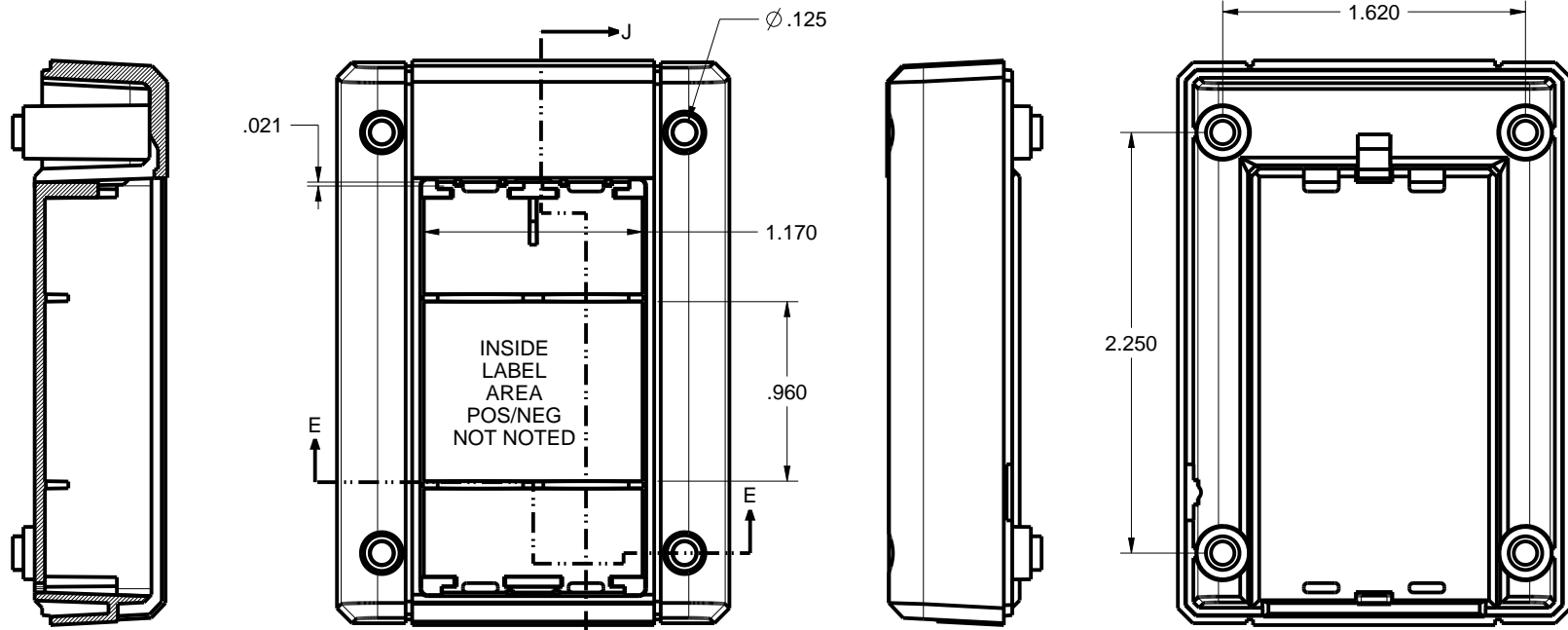
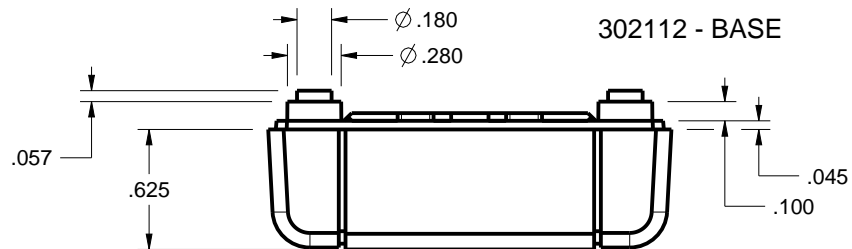
NEW AGE ENCLOSURES
 Customer's Part No: 302112

APPROVAL	BY	DATE
CHECK		
ENG.		
SCALE	AS NOTED	
DRAWN BY	M BOYER	
	21-Nov-09	

NEW AGE ENCLOSURES
 4330 Santa Fe Road San Luis Obispo, CA. 93401
 ph. (805) 595-1310 fax (805) 595-1024
www.newageenclosures.com

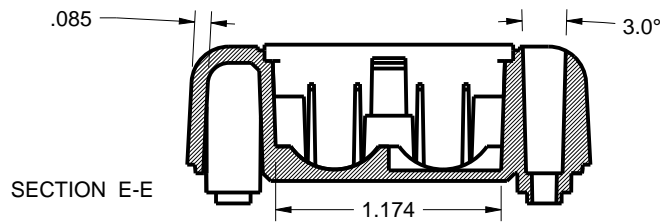
STANDARD - MINI AA
 SXX-302112X-XXX

SIZE	DRAWING NAME	SHEET	REV.DOC
A	302112_R6_0	3 OF 9	6.0

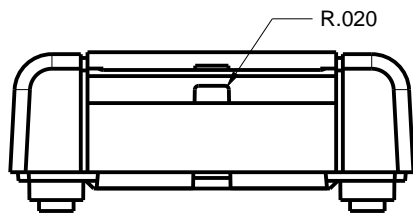


SECTION J-J

SCALE 1.000



SECTION E-E



TOLERANCES: UNLESS OTHERWISE SPECIFIED
DIMENSIONS ARE IN U.S. INCHES.

X.XX = .015 X.XXXX = .001
X.XXX = .010 X.X° = 1°

NEW AGE ENCLOSURES
Customer's Part No: 302112

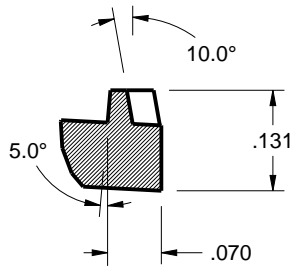
APPROVAL	BY	DATE
CHECK		
ENG.		
SCALE	AS NOTED	
DRAWN BY	21-Nov-09	
M BOYER		

NEW AGE ENCLOSURES
4330 Santa Fe Road San Luis Obispo, CA. 93401
ph. (805) 595-1310 fax (805) 595-1024
www.newageenclosures.com

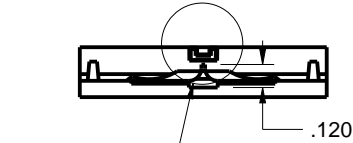
STANDARD - MINI AA
SXX-302112X-XXX

SIZE	DRAWING NAME	SHEET	REV.DOC
A	302112_R6_0	4 OF 9	6.0

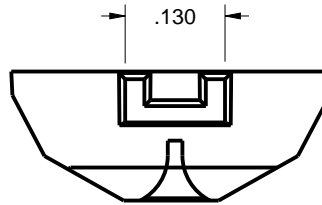
302112 - HATCH



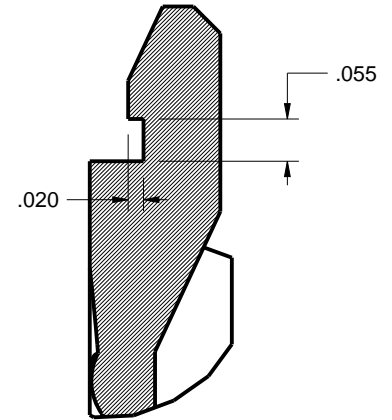
DETAIL C
SCALE 4.000



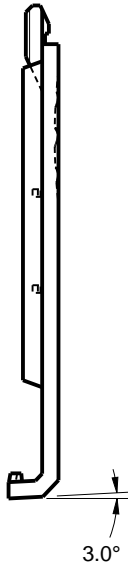
SEE DETAIL B



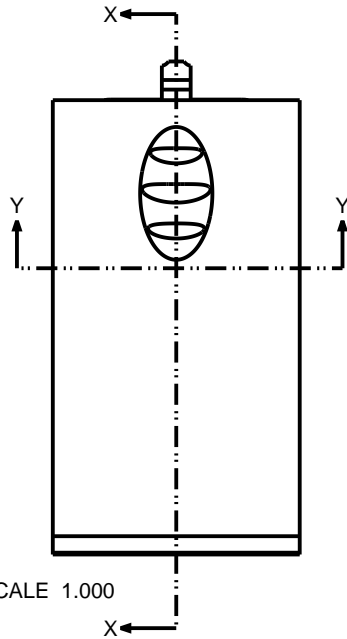
DETAIL B
SCALE 4.000



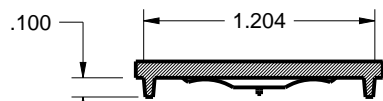
DETAIL D
SCALE 4.000



3.0°

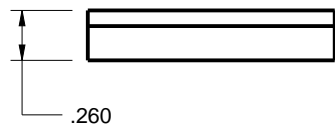


SCALE 1.000

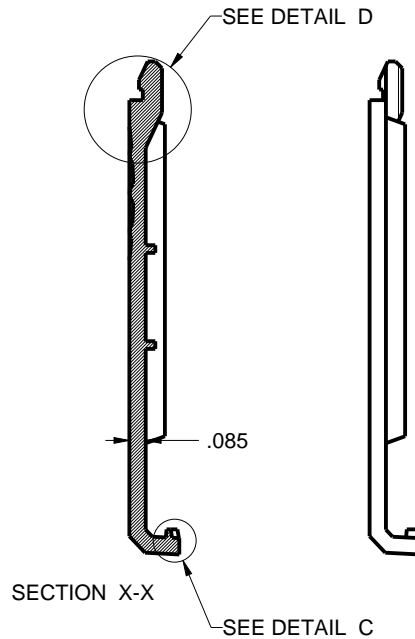


SECTION Y-Y

.040 +5° DRAFT/SIDE

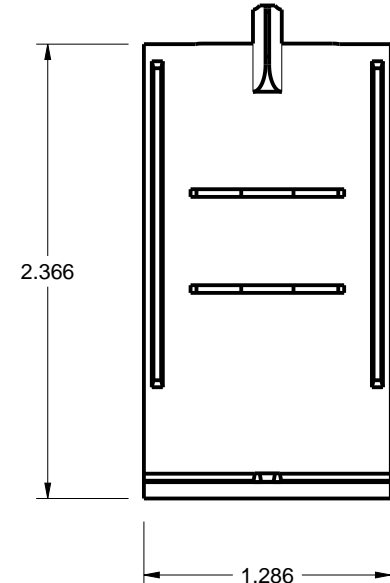


.260



SECTION X-X

SEE DETAIL C



2.366

1.286

TOLERANCES: UNLESS OTHERWISE SPECIFIED
DIMENSIONS ARE IN U.S. INCHES.

X.XX = .015 X.XXXX = .001
X.XXX = .010 X.X° = 1°

NEW AGE ENCLOSURES

Customer's Part No: 302112

APPROVAL BY DATE

CHECK

ENG.

SCALE AS NOTED

DRAWN BY M BOYER

21-Nov-09

NEW AGE ENCLOSURES

4330 Santa Fe Road San Luis Obispo, CA. 93401
ph. (805) 595-1310 fax (805) 595-1024

www.newageenclosures.com

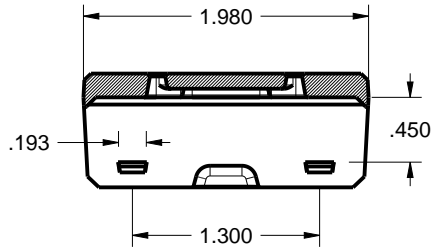
STANDARD - MINI AA
SXX-302112X-XXX

SIZE A DRAWING NAME 302112_R6_0

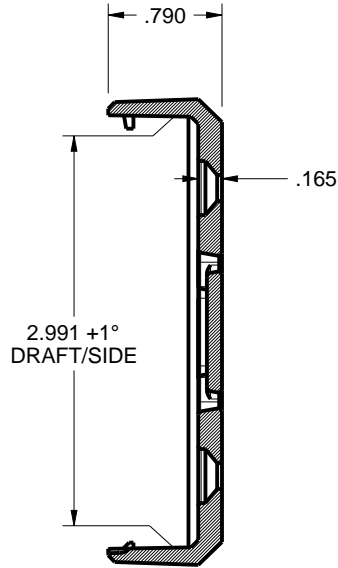
SHEET 5 OF 9

REV.DOC 6.0

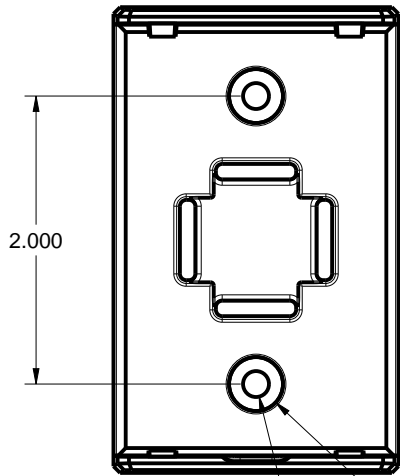
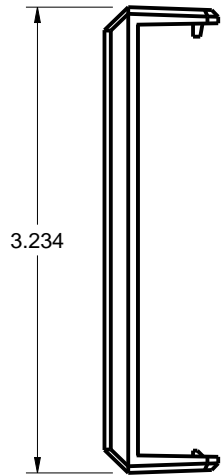
302112 - WALL CRADLE



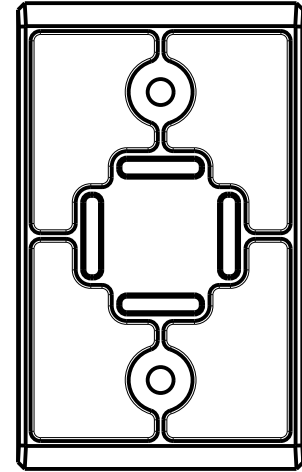
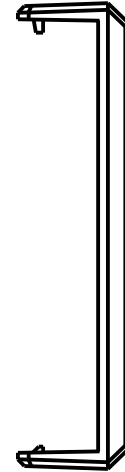
SECTION Y-Y



SECTION X-X

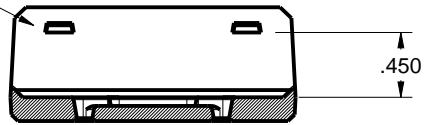


$\phi .180$ $\phi .374$

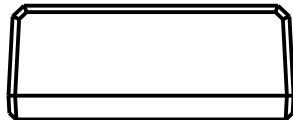


SCALE 0.750

2nd OPERATION REQUIRED
ON 302112 BASE
TO ACCEPT CRADLE TABS



SECTION Y-Y



TOLERANCES: UNLESS OTHERWISE SPECIFIED
DIMENSIONS ARE IN U.S. INCHES.
X.XX = .015 X.XXXX = .001
X.XXX = .010 X.X° = 1°

NEW AGE ENCLOSURES
Customer's Part No: 302112

APPROVAL	BY	DATE
CHECK		
ENG.		
SCALE	AS NOTED	

DRAWN BY
M BOYER 21-Nov-09

NEW AGE ENCLOSURES

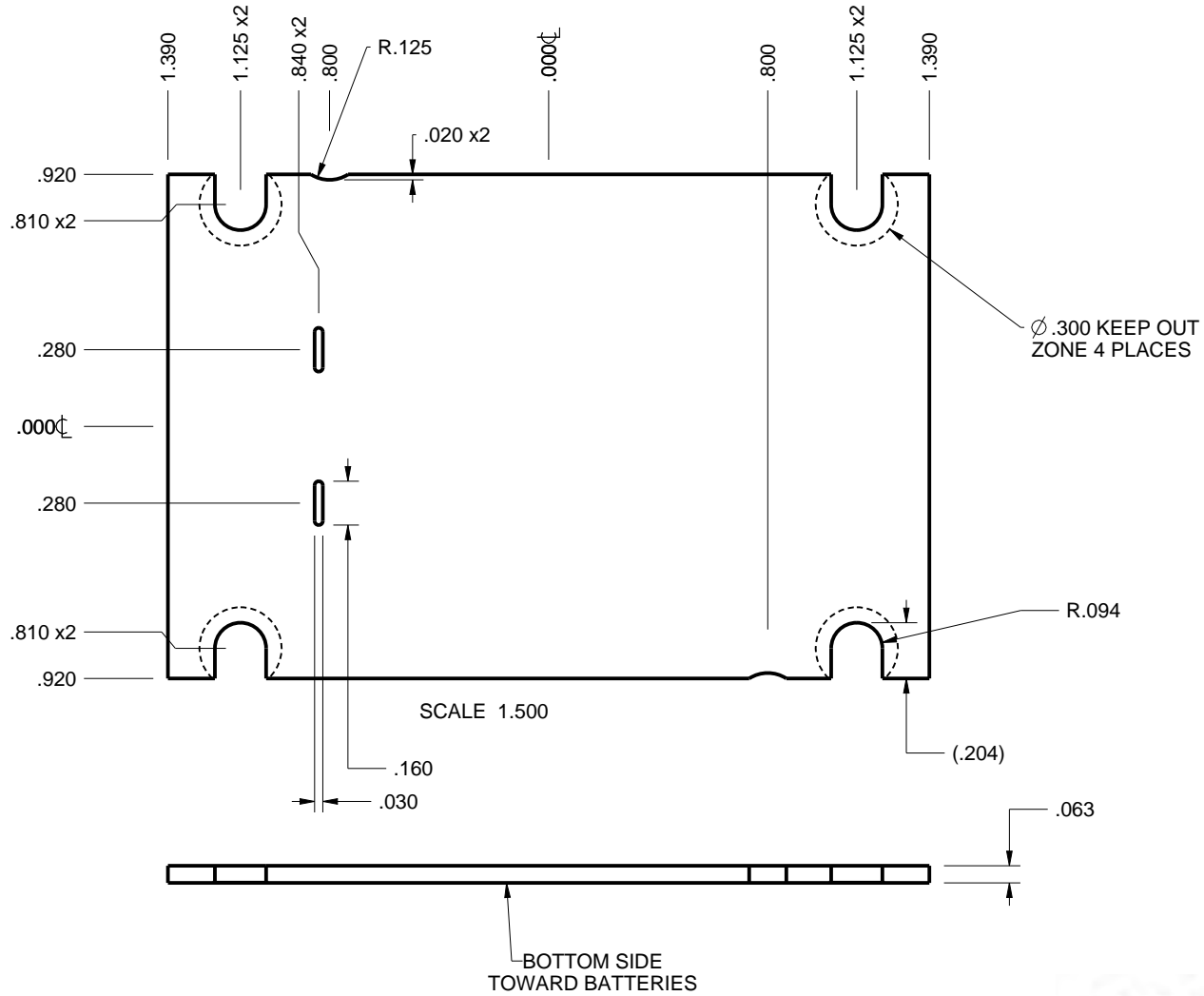
4330 Santa Fe Road San Luis Obispo, CA. 93401
ph. (805) 595-1310 fax (805) 595-1024
www.newageenclosures.com

STANDARD - MINI AA
SXX-302112X-XXX

SIZE A	DRAWING NAME 302112_R6_0	SHEET 6 OF 9	REV.DOC 6.0
-----------	-----------------------------	-----------------	----------------

302112 - PCB

PCB SIZES ARE RECOMMENDATIONS ONLY. FINAL SIZES AND VERIFICATION OF ITS FIT ARE THE SOLE RESPONSIBILITY OF THE OEM.



TOLERANCES: UNLESS OTHERWISE SPECIFIED
DIMENSIONS ARE IN U.S. INCHES.
X.XX = .015 X.XXXX = .001
X.XXX = .010 X.X° = 1°

NEW AGE ENCLOSURES
Customer's Part No: 302112

APPROVAL	BY	DATE
CHECK		
ENG.		
SCALE	AS NOTED	

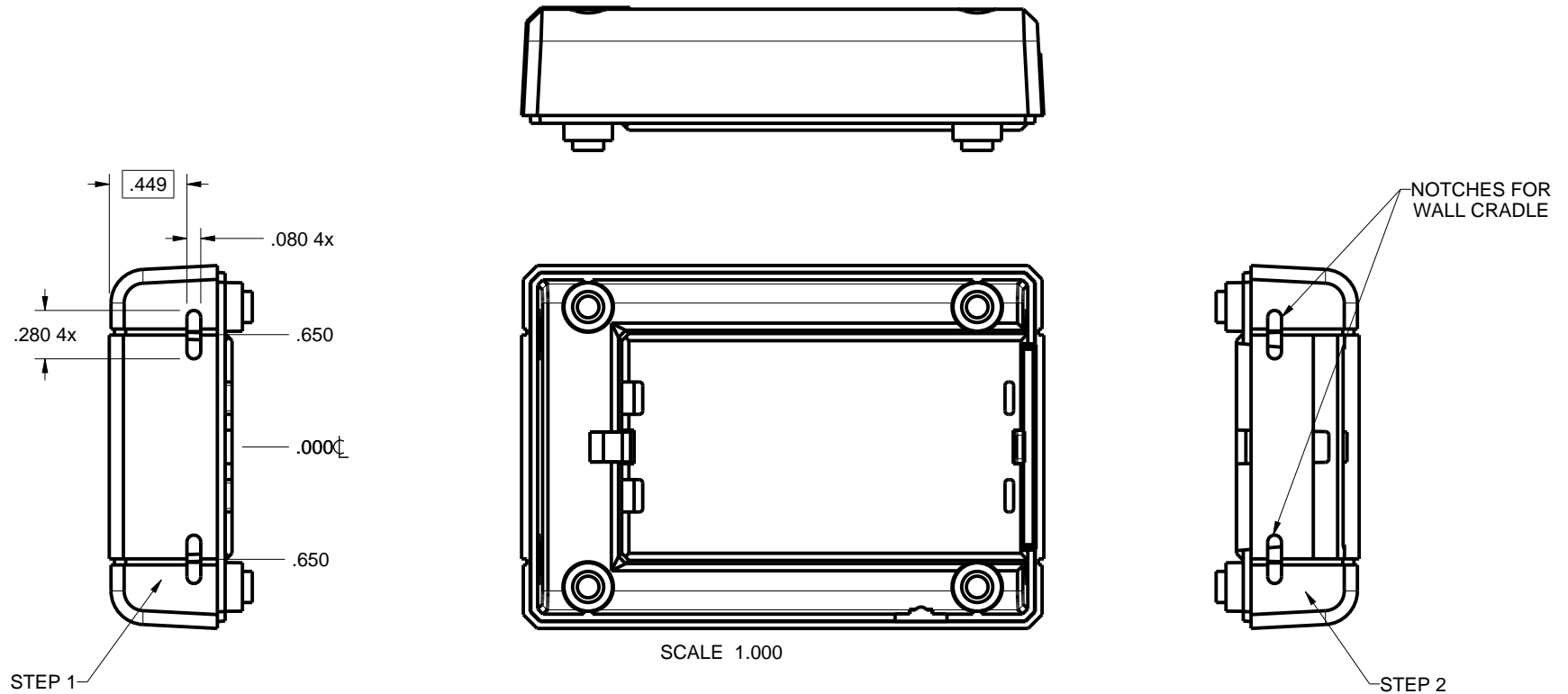
DRAWN BY	21-Nov-09
M BOYER	

NEW AGE ENCLOSURES
4330 Santa Fe Road San Luis Obispo, CA. 93401
ph. (805) 595-1310 fax (805) 595-1024
www.newageenclosures.com

STANDARD - MINI AA
SXX-302112X-XXX

SIZE	DRAWING NAME	SHEET	REV.DOC
A	302112_R6_0	7 OF 9	6.0

2nd OPERATION DETAILS - Page 1 of 2
 NEW AGE ENCLOSURES DELIVERS YOUR ENCLOSURE MARKET-READY WITH IN-HOUSE
 CNC MACHINING, PAD PRINTING, ASSEMBLY, AND FULFILLEMENT.
 ALL SURFACES AND AREAS ARE AVAILABLE FOR CNC ALTERATION BY NEW AGE ENCLOSURES
 CALL (805) 595-1310 FOR PRICING AND SCHEDULE.
 THE INSIDE RADIUS OF ANY MACHINED FEATURES SHOULD BE NO SMALLER THAN .031"



TOLERANCES: UNLESS OTHERWISE SPECIFIED
 DIMENSIONS ARE IN U.S. INCHES.
 X.XX = .015 X.XXXX = .001
 X.XXX = .010 X.X° = 1°

NEW AGE ENCLOSURES
 4330 Santa Fe Road San Luis Obispo, CA. 93401
 ph. (805) 595-1310 fax (805) 595-1024

Customer's Part No: 302112

www.newageenclosures.com

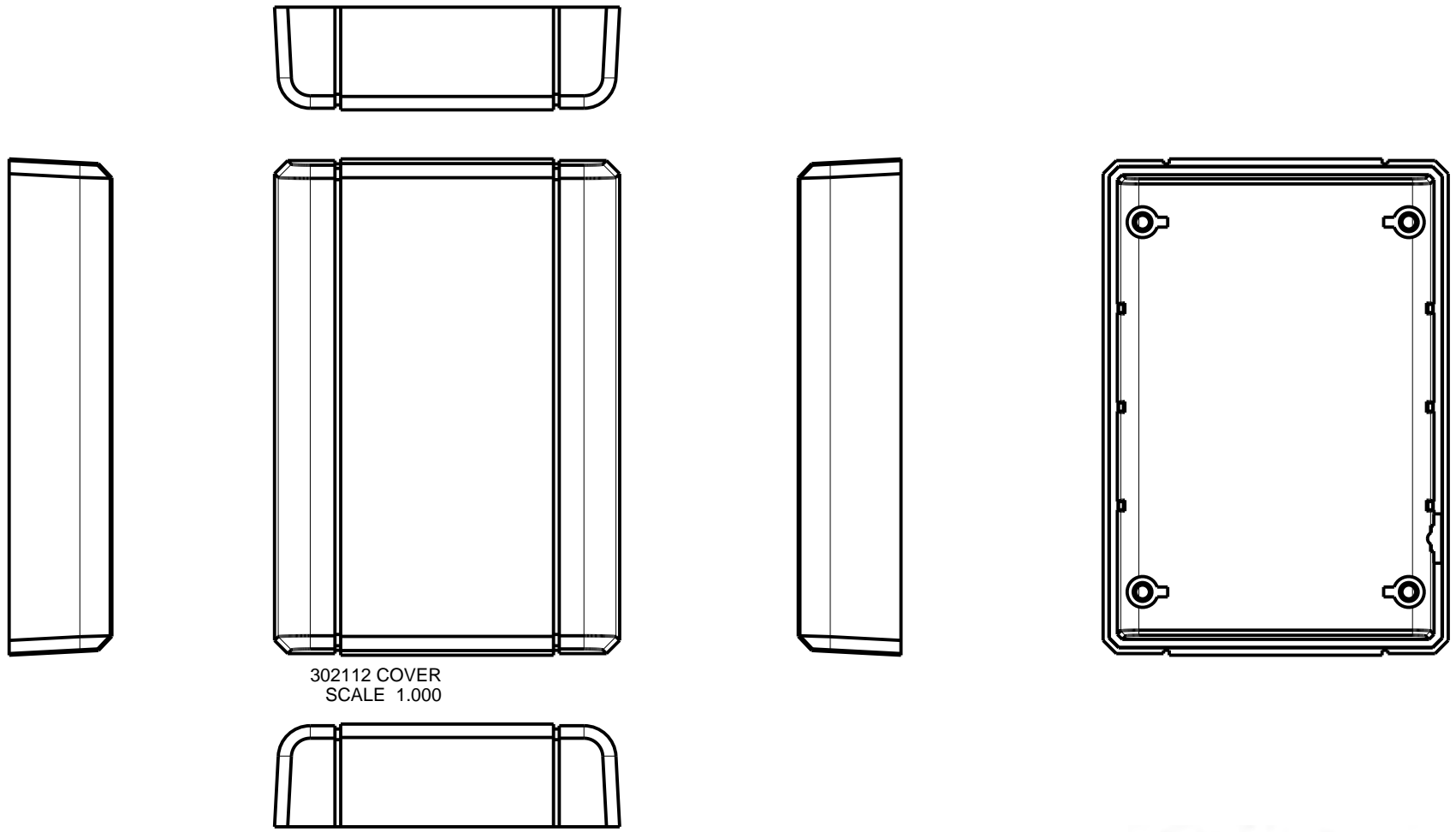
STANDARD - MINI AA
SXX-302112X-XXX

SXX-302112X-XXX BASE - ABS, BLACK					
STEP NO	DESCRIPTION	CUTTER	FIXTURE	ORIENTATION	PROGRAM
1-C-C1	CRADLE NOTCHES	T2 = .062" EM	193	SINGLE	-
2-C-C2	CRADLE NOTCHES	T2 = .062" EM	193	SINGLE	-

APPROVAL	BY	DATE
CHECK		
ENG.		
SCALE	AS NOTED	
DRAWN BY	21-Nov-09	
M BOYER		

SIZE	DRAWING NAME	SHEET	REV.DOC
A	302112_R6_0	8 OF 9	6.0

2nd OPERATION DETAILS - Page 2 of 2
 NEW AGE ENCLOSURES DELIVERS YOUR ENCLOSURE MARKET-READY WITH IN-HOUSE
 CNC MACHINING, PAD PRINTING, ASSEMBLY, AND FULFILLEMENT.
 ALL SURFACES AND AREAS ARE AVAILABLE FOR CNC ALTERATION BY NEW AGE ENCLOSURES
 CALL (805) 595-1310 FOR PRICING AND SCHEDULE.
 THE INSIDE RADIUS OF ANY MACHINED FEATURES SHOULD BE NO SMALLER THAN .031"



302112 COVER
 SCALE 1.000

SXX-302112X-XXX COVER - ABS, BLACK					
STEP NO	DESCRIPTION	CUTTER	FIXTURE	ORIENTATION	PROGRAM
1-C-C1	-	T2 = .062" EM	193	SINGLE	
2-C-C2	-	T2 = .062" EM	193	-	
3-C-C3	-	T2 = .062" EM	193	-	

TOLERANCES: UNLESS OTHERWISE SPECIFIED DIMENSIONS ARE IN U.S. INCHES. X.XX = .015 X.XXXX = .001 X.XXX = .010 X.X° = 1°		NEW AGE ENCLOSURES 4330 Santa Fe Road San Luis Obispo, CA. 93401 ph. (805) 595-1310 fax (805) 595-1024 www.newageenclosures.com	
NEW AGE ENCLOSURES Customer's Part No: 302112		STANDARD - MINI AA SXX-302112X-XXX	
APPROVAL CHECK ENG. SCALE DRAWN BY M BOYER	BY 21-Nov-09	SIZE A DRAWING NAME 302112_R6_0	SHEET 9 OF 9 REV.DOC 6.0

Mouser Electronics

Authorized Distributor

Click to View Pricing, Inventory, Delivery & Lifecycle Information:

[New Age Enclosures:](#)

[S1A-302112](#) [S3A-302112](#) [S1A-302112-K](#) [S3A-302112-K](#)

Компания «Life Electronics» занимается поставками электронных компонентов импортного и отечественного производства от производителей и со складов крупных дистрибьюторов Европы, Америки и Азии.

С конца 2013 года компания активно расширяет линейку поставок компонентов по направлению коаксиальный кабель, кварцевые генераторы и конденсаторы (керамические, пленочные, электролитические), за счёт заключения дистрибьюторских договоров

Мы предлагаем:

- Конкурентоспособные цены и скидки постоянным клиентам.
- Специальные условия для постоянных клиентов.
- Подбор аналогов.
- Поставку компонентов в любых объемах, удовлетворяющих вашим потребностям.
- Приемлемые сроки поставки, возможна ускоренная поставка.
- Доставку товара в любую точку России и стран СНГ.
- Комплексную поставку.
- Работу по проектам и поставку образцов.
- Формирование склада под заказчика.
- Сертификаты соответствия на поставляемую продукцию (по желанию клиента).
- Тестирование поставляемой продукции.
- Поставку компонентов, требующих военную и космическую приемку.
- Входной контроль качества.
- Наличие сертификата ISO.

В составе нашей компании организован Конструкторский отдел, призванный помогать разработчикам, и инженерам.

Конструкторский отдел помогает осуществить:

- Регистрацию проекта у производителя компонентов.
- Техническую поддержку проекта.
- Защиту от снятия компонента с производства.
- Оценку стоимости проекта по компонентам.
- Изготовление тестовой платы монтаж и пусконаладочные работы.



Тел: +7 (812) 336 43 04 (многоканальный)

Email: org@lifeelectronics.ru