



FCIconnect.com

Copyright FCI.

1

2

List of "SFW__R-1/2STAE1LF" customer document

DOCUMENT NO.	LIST
SC-SFW14	SPEC.
JSA95886	CAT.NO.TABLE FOR 1mm SPACING SMT CONNECTOR (SFW__R-1/2STA__LF)
JSA95887	1mm SPACING SMT CONNECTOR (SFW__R-1STA__LF)
JSA96111	1mm SPACING SMT CONNECTOR (SFW__R-2STA__LF)
JSA95888	CAT.NO.TABLE FOR PLASTIC TAPE PACKAGED 1mm SPACING SMT CONNECTOR (SFW__R-1/2STAE1LF)
JSA95889	PLASTIC TAPE PACKAGED 1mm SPACING SMT CONNECTOR (SFW__R-1STAE1LF)
JSA96112	PLASTIC TAPE PACKAGED 1mm SPACING SMT CONNECTOR (SFW__R-2STAE1LF)
JSA95890	RECOMMENDED CABLE (FPC) (SFW__R-1/2ST__)
GS-20-129	HANDLING PROCEDURES

mat'l. code -				surface ISO 1302 58 ✓	tolerance ISO 406 ISO 1101	projection	product family 58RF	CODE JP	
ltr	ecn no	dr	date	tolerances unless otherwise specified		mm	title		
A	J05-0055	H.T	'05/2/4	angles	linear		1mm SPACING FPC CONNECTOR DOCUMENT LIST (Cat. No. : SFW__R-1/2STAE1LF)		
B	J06-0398	H.T	9/26/'06			scale X	dwg no sheet 1 of 1 size		
C	J09-0358	M.Y	2009-10-5				JSA96337 A4		
D	J09-0380	M.Y	2009-10-27	dr	M.YAMASHITA 2009-10-27		type Product Customer Drawing		
				enr	M.YAMASHITA 2009-10-27				Rev. D
				chr	S. H. K. 2009-10-27				
				appd	S. H. K. 2009-10-27				
sheet index	revision sheet	D	1						

CAT. NO. & DIMENSIONS

NO. OF CONTACTS (n)	CAT. NO.	DIMENSIONS (NOTE2)			
		A ± 0.2	B ± 0.2	C ± 0.2	D ± 0.1
4	SFW4R-1/2STA__LF	9.8	8.6	3.0	5.3
5	SFW5R-1/2STA__LF	10.8	9.6	4.0	6.3
6	SFW6R-1/2STA__LF	11.8	10.6	5.0	7.3
7	SFW7R-1/2STA__LF	12.8	11.6	6.0	8.3
8	SFW8R-1/2STA__LF	13.8	12.6	7.0	9.3
9	SFW9R-1/2STA__LF	14.8	13.6	8.0	10.3
10	SFW10R-1/2STA__LF	15.8	14.6	9.0	11.3
11	SFW11R-1/2STA__LF	16.8	15.6	10.0	12.3
12	SFW12R-1/2STA__LF	17.8	16.6	11.0	13.3
13	SFW13R-1/2STA__LF	18.8	17.6	12.0	14.3
14	SFW14R-1/2STA__LF	19.8	18.6	13.0	15.3
15	SFW15R-1/2STA__LF	20.8	19.6	14.0	16.3
16	SFW16R-1/2STA__LF	21.8	20.6	15.0	17.3
17	SFW17R-1/2STA__LF	22.8	21.6	16.0	18.3
18	SFW18R-1/2STA__LF	23.8	22.6	17.0	19.3
19	SFW19R-1/2STA__LF	24.8	23.6	18.0	20.3
20	SFW20R-1/2STA__LF	25.8	24.6	19.0	21.3
21	SFW21R-1/2STA__LF	26.8	25.6	20.0	22.3
22	SFW22R-1/2STA__LF	27.8	26.6	21.0	23.3
23	SFW23R-1/2STA__LF	28.8	27.6	22.0	24.3
24	SFW24R-1/2STA__LF	29.8	28.6	23.0	25.3
25	SFW25R-1/2STA__LF	30.8	29.6	24.0	26.3
26	SFW26R-1/2STA__LF	31.8	30.6	25.0	27.3
27	SFW27R-1/2STA__LF	32.8	31.6	26.0	28.3
28	SFW28R-1/2STA__LF	33.8	32.6	27.0	29.3
29	SFW29R-1/2STA__LF	34.8	33.6	28.0	30.3
30	SFW30R-1/2STA__LF	35.8	34.6	29.0	31.3

CAT. NO. SFW (n) R - 1 ST A __ LF

SERIES NAME

NO. OF CONTACTS

RIGHT ANGLE TYPE

FOR FPC/FFC, CONTACT DIRECTION
1. LOWER CONTACT TYPE
2. UPPER CONTACT TYPE

FOR AUTOMATIC MOUNTING (SMT)

GOLD PLATING

PACKAGE STYLE

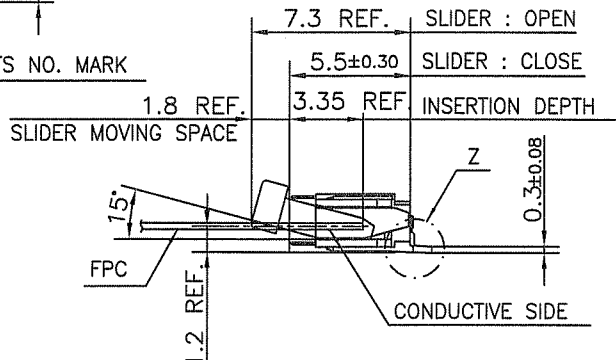
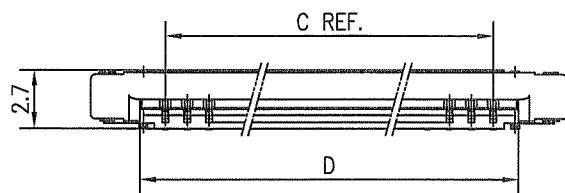
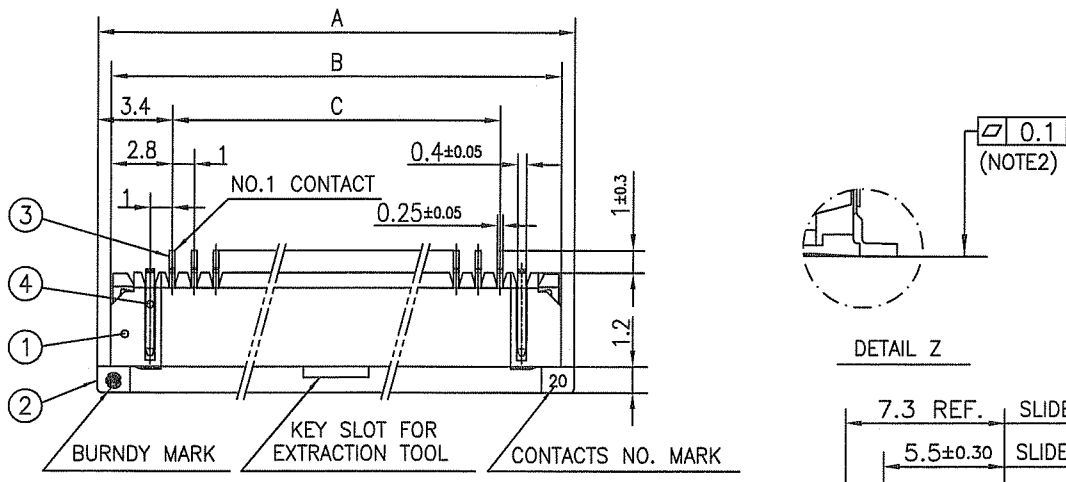
LEAD FREE

NOTES

1. THIS PRODUCT IS THE CONNECTOR USED FOR FPC AND COPEs WITH AUTOMATIC MOUNTING (SMT).
2. SEE PART DRAWINGS FOR DIMENSIONS A~D.

mat'l. code				surface 58 / ISO 1302 ✓		tolerance ISO 406 ISO 1101		projection		product family 58RF		CODE JP	
ltr				ecn no		dr		date		title		CAT NO. TABLE FOR 1mm SPACING SMT CONNECTOR (Cat. No. SFW__R-1/2STA__LF)	
AA				J04-0413		H.T		11/16/04		angles		linear	
AB				J05-0055		H.T		2/4/05		mm		scale X	
AC				J06-0398		H.T		9/26/06		dwg no		sheet 1 of 1 size A4	
AD				J09-0358		M.Y		2009-10-5		JSA 95886		type Product Customer Drawing	
sheet index				revision sheet		AD		1		Rev. AD		D	

SC-SFW14 JSA95887 96111 95888 95889 96112 95890 form: A4



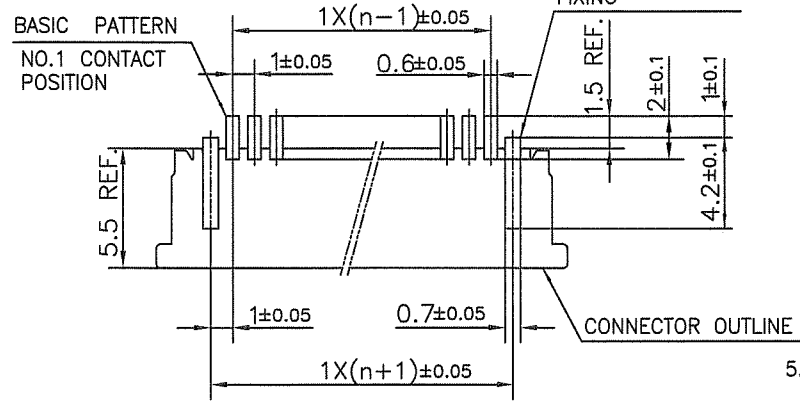
PT. NO.	PARTS NAME	MATERIAL	Q'TY	NOTE
1	HOUSING	PPS RESIN GLASS REINFORCED (UL94V-0)	1	COLOR : BROWN
2	SLIDER	PPS RESIN GLASS REINFORCED (UL94V-0)	1	COLOR : BLACK
3	CONTACT	PHOSPHOR BRONZE	n	CONTACT AREA : GOLD TARMINAL AREA : TIN
4	MOUNTING PLATE		2	PLATING : TIN

n : NO. OF CONTACTS

NOTES

1. THIS PRODUCT IS THE CONNECTOR USED FOR FPC AND COPEs WITH AUTOMATIC MOUNTING (SMT).
2. FLATNESS FOR CONTACT TERMINAL HOUSING MUST BE WITHIN TOLERANCE IN Z PORTION DETAILED DRAWING.
3. THIS PRODUCT IS LOWER CONTACT TYPE CONNECTOR.
4. THIS PRODUCT MEETS EUROPEAN UNION DIRECTIVES AND OTHER?COUNTRY REGULATIONS AS DESCRIBED IN GS-22-008

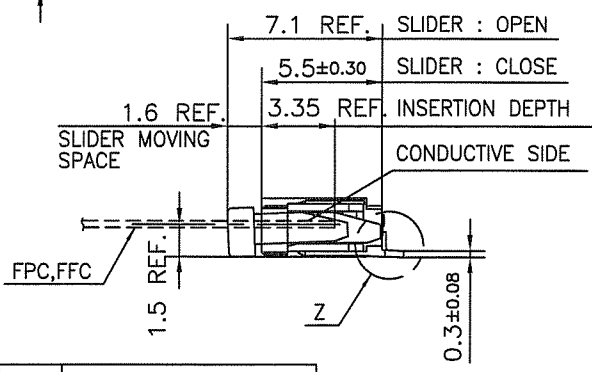
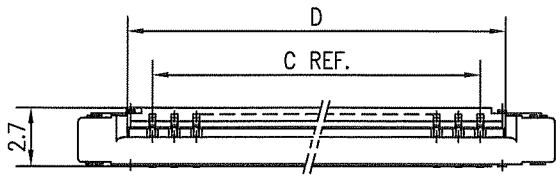
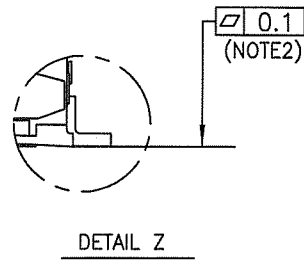
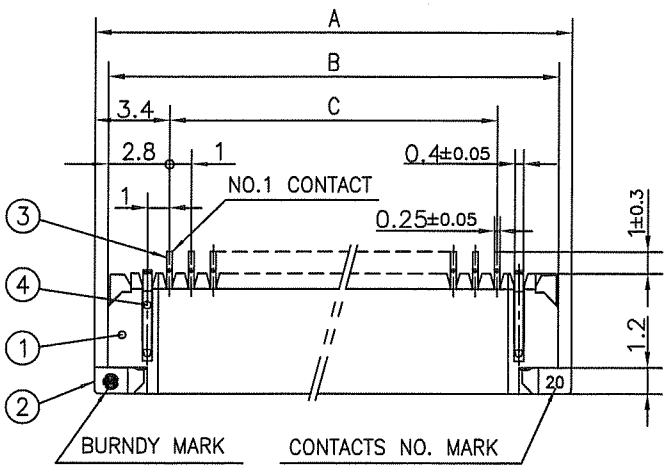
RECOMMENDED PC BOARD LAYOUT (COMPONENT SIDE)



5. THE HOUSING WILL WITHSTAND EXPOSURE TO 260°C PEAK TEMPERATURE FOR 10 SECONDS IN A REFLOW SOLDERING OVEN.

mat'l. code		surface 58 / tolerance ISO 1302 / ISO 406 / ISO 1101		projection		product family 58RF		CODE JP	
ltr	ecn no	dr	date	tolerances unless otherwise specified		title		1mm SPACING SMT CONNECTOR	
AA	J04-0329	H.T	9/27/04	±0.2		mm		(Cat. No. SFW__R-1STA__LF)	
AB	J05-0055	H.T	2/4/05	linear		scale X		dwg no sheet 1 of 1 size	
AC	J05-0736	H.T	10/28/05			FCI		JSA 95887 A4	
AD	J06-0398	H.T	9/26/06	dr	A. YAMASAKI 2007-10-5			type Product Customer Drawing	
AE	J09-0358	M.Y	2009-10-5	enr	A. YAMASAKI 2009-10-5			Rev. AE	
				chr	S. W. ... 2009-10-6				
				appd	S. Chaudhary 2009-10-6				
sheet index	revision	AE	1						

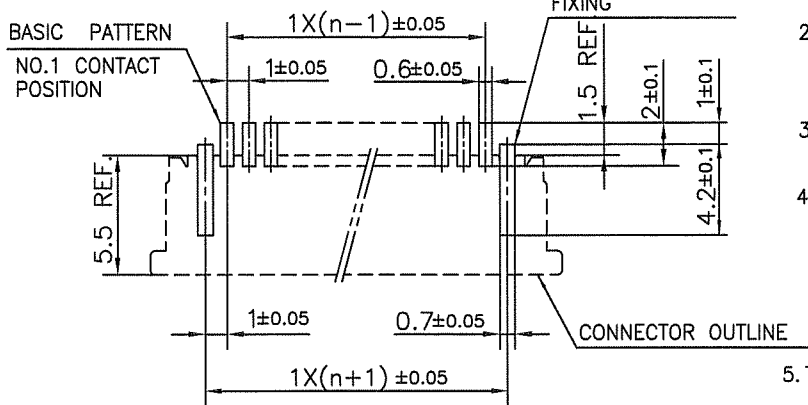
SC_SFW14 form: A4 JSA95886



PT. NO.	PARTS NAME	MATERIAL	Q'TY	NOTE
1	HOUSING	PPS RESIN GLASS REINFORCED (UL94V-0)	1	COLOR : BROWN
2	SLIDER	PPS RESIN GLASS REINFORCED (UL94V-0)	1	COLOR : BLACK
3	CONTACT	PHOSPHOR BRONZE	n	CONTACT AREA : GOLD TARMINAL AREA : TIN
4	MOUNTING PLATE	PHOSPHOR BRONZE	2	PLATING : TIN

n : NO. OF CONTACTS

RECOMMENDED PC BOARD LAYOUT
(COMPONENT SIDE)



NOTES

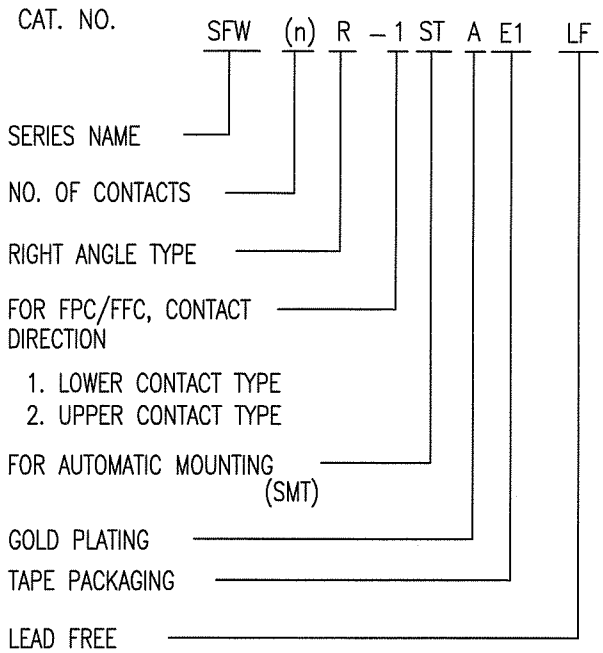
1. THIS PRODUCT IS THE CONNECTOR USED FOR FPC AND COPES WITH AUTOMATIC MOUNTING (SMT).
2. FLATNESS FOR CONTACT TERMINAL HOUSING MUST BE WITHIN TOLERANCE IN Z PORTION DETAILED DRAWING.
3. THIS PRODUCT IS UPPER CONTACT TYPE CONNECTOR.
4. THIS PRODUCT MEETS EUROPEAN UNION DIRECTIVES AND OTHER?COUNTRY REGULATIONS AS DESCRIBED IN GS-22-008
5. THE HOUSING WILL WITHSTAND EXPOSURE TO 260°C PEAK TEMPERATURE FOR 10 SECONDS IN A REFLOW SOLDERING OVEN.

mat'l. code			surface 58 / tolerance ISO 1302		projection		product family 58RF		CODE JP		
ltr ecn no dr date			tolerances unless otherwise specified		mm		title		sheet 1 of 1 size		
A J04-0413 H.T 11/16/04			angles linear ±0.2		↔		1mm SPACING SMT CONNECTOR		A4		
B J05-0055 H.T 2/4/05					↔		(Cat. No. SFW__R-2STA__LF)				
C J05-0736 H.T 10/28/05					scale X		dwg no		sheet 1 of 1 size		
D J06-0398 H.T 9/26/06			dr H.YAMASHITA 2009-10-5		FCI		JSA 96111		A4		
E J09-0358 M.Y 2009-10-5			enr H.YAMASHITA 2009-10-5				type Product Customer Drawing				
			chr S.W.K. 2009-10-6								
			appd J. Dadani 2009-10-6								
sheet index		revision sheet		E 1						Rev. E	

SC_SFW14 JSA95886 form: A4

CAT. NO. & DIMENSIONS

NO. OF CONTACTS (n)	CAT. NO. (NOTE2)	DIMENSIONS (NOTE3)		
		E ± 5	F ± 0.3	G ± 0.1
4	SFW4R-1/2STAE1 LF	20.4	16	—
5	SFW5R-1/2STAE1 LF	28.4	24	—
6	SFW6R-1/2STAE1 LF	28.4	24	—
7	SFW7R-1/2STAE1 LF	28.4	24	—
8	SFW8R-1/2STAE1 LF	28.4	24	—
9	SFW9R-1/2STAE1 LF	28.4	24	—
10	SFW10R-1/2STAE1 LF	28.4	24	—
11	SFW11R-1/2STAE1 LF	28.4	24	—
12	SFW12R-1/2STAE1 LF	28.4	24	—
13	SFW13R-1/2STAE1 LF	36.4	32	28.4
14	SFW14R-1/2STAE1 LF	36.4	32	28.4
15	SFW15R-1/2STAE1 LF	36.4	32	28.4
16	SFW16R-1/2STAE1 LF	36.4	32	28.4
17	SFW17R-1/2STAE1 LF	48.4	44	40.4
18	SFW18R-1/2STAE1 LF	48.4	44	40.4
19	SFW19R-1/2STAE1 LF	48.4	44	40.4
20	SFW20R-1/2STAE1 LF	48.4	44	40.4
21	SFW21R-1/2STAE1 LF	48.4	44	40.4
22	SFW22R-1/2STAE1 LF	48.4	44	40.4
23	SFW23R-1/2STAE1 LF	48.4	44	40.4
24	SFW24R-1/2STAE1 LF	48.4	44	40.4
25	SFW25R-1/2STAE1 LF	48.4	44	40.4
26	SFW26R-1/2STAE1 LF	48.4	44	40.4
27	SFW27R-1/2STAE1 LF	48.4	44	40.4
28	SFW28R-1/2STAE1 LF	60.4	56	52.4
29	SFW29R-1/2STAE1 LF	60.4	56	52.4
30	SFW30R-1/2STAE1 LF	60.4	56	52.4

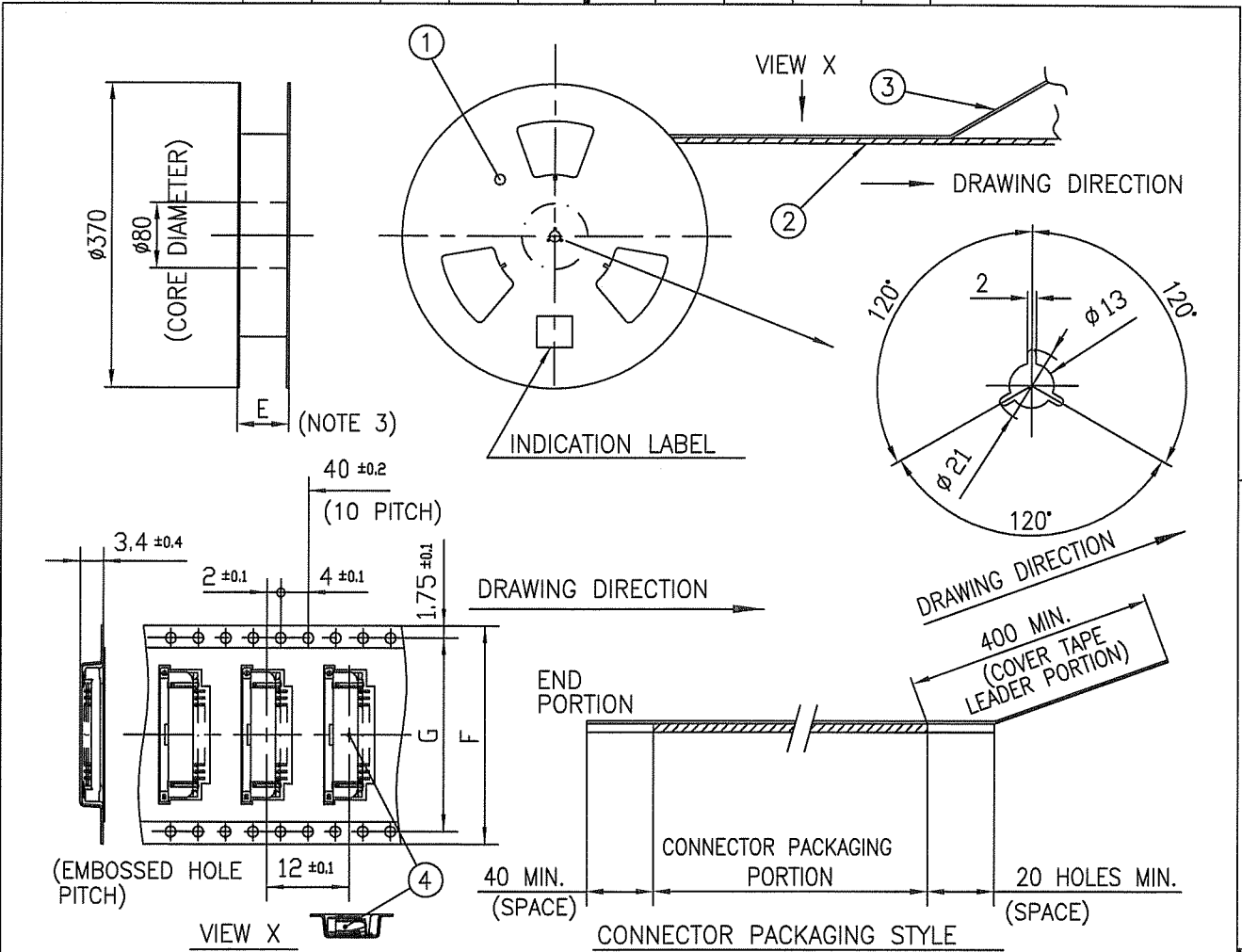


NOTES

1. THIS PRODUCT IS THE CONNECTOR USED FOR FPC AND COPEs WITH AUTOMATIC MOUNTING (SMT).
2. THIS CATALOG NO. INDICATES PLASTIC TAPE PACKAGED CONNECTOR.
3. SEE PART DRAWINGS FOR DIMENSIONS E~G.

mat'l. code		surface 58 / tolerance ISO 1302 / ISO 406 / ISO 1101		projection	product family 58RF	CODE JP
ltr	ecn no	dr	date	tolerances unless otherwise specified	title	
AA	J04-0413	H.T	11/16/04	angles linear	CAT NO. TABLE FOR PLASTIC TAPE PACKAGED 1mm SPACING SMT CONNECTOR (Cat. No. SFW__R-1/2STAE1 LF)	
AB	J05-0055	H.T	2/4/05		dwg no sheet 1 of 1 size	
AC	J06-0398	H.T	9/26/06		JSA 95888 A4	
AD	J09-0358	M.Y	2009-10-5	dr M.YAMASHITA 2009-10-5	type Product Customer Drawing	
				enr M.YAMASHITA 2009-10-5	Rev. AD	
				chr S. W. H. 2009-10-6		
				appd J. Chidambaram 2009-10-6		
sheet index	revision sheet	AD	1			

SC_SFW14 form: A4 JSA95886 95889 96112



PT. NO.	PARTS NAME	CAT. NO.	MATERIAL	Q'TY	NOTE
1	REEL	_____	CARDBOARD	1	COLOR:WHITE
2	PLASTIC (EMBOSS) TAPE	_____	PET	_____	COLOR:TRANSPARENCY
3	COVER	_____	POLYESTER	_____	COLOR:TRANSPARENCY
4	CONNECTOR	SFW_R-1STA_LF	SEE ATTACHED DWG.	2000	LOWER CONTACT TYPE

NOTES

- THIS IS PLASTIC TAPE PACKAGED CONNECTOR USED FOR FPC AND COPEs WITH AUTOMATIC MOUNTING (SMT).
- SEE JIS C 0806 (PACKING OF ELECTRONIC COMPONENTS ON CONTINUOUS TAPES (SURFACE MOUNTING DEVICES)) FOR SHAPE AND DIMENSIONS OF PLASTIC (EMBOSS) TAPE AND REEL.
- E DIMENSION IS PORTION OF THE CORE.

mat'l. code		surface ISO 1302 <input checked="" type="checkbox"/>		tolerance ISO 406 ISO 1101		projection		product family 58RF		CODE JP	
ltr	ecn no	dr	date	tolerances unless otherwise specified				title PLASTIC TAPE PACKAGED 1mm SPACING SMT CONNECTOR (Cat. No. SFW__R-1STAE1 LF)			
AA	J05-0055	H.T	2/4/'05	angles	linear	mm		FCI dwg no JSA 95889 sheet 1 of 1 size A4 type Product Customer Drawing			
AB	J06-0398	H.T	9/26/'06	±5'		scale X					
AC	J09-0358	M.Y	2009-10-5	dr	M.YAMASHITA	2009-10-5					
				enr	M.YAMASHITA	2009-10-5					
				chr	S. W. K.	2007-10-6					
				appd	J. Chidambaram	2009-10-6					
sheet index	revision	AC	1								Rev. AC

SC_SFW14 JSA95888 form: A4

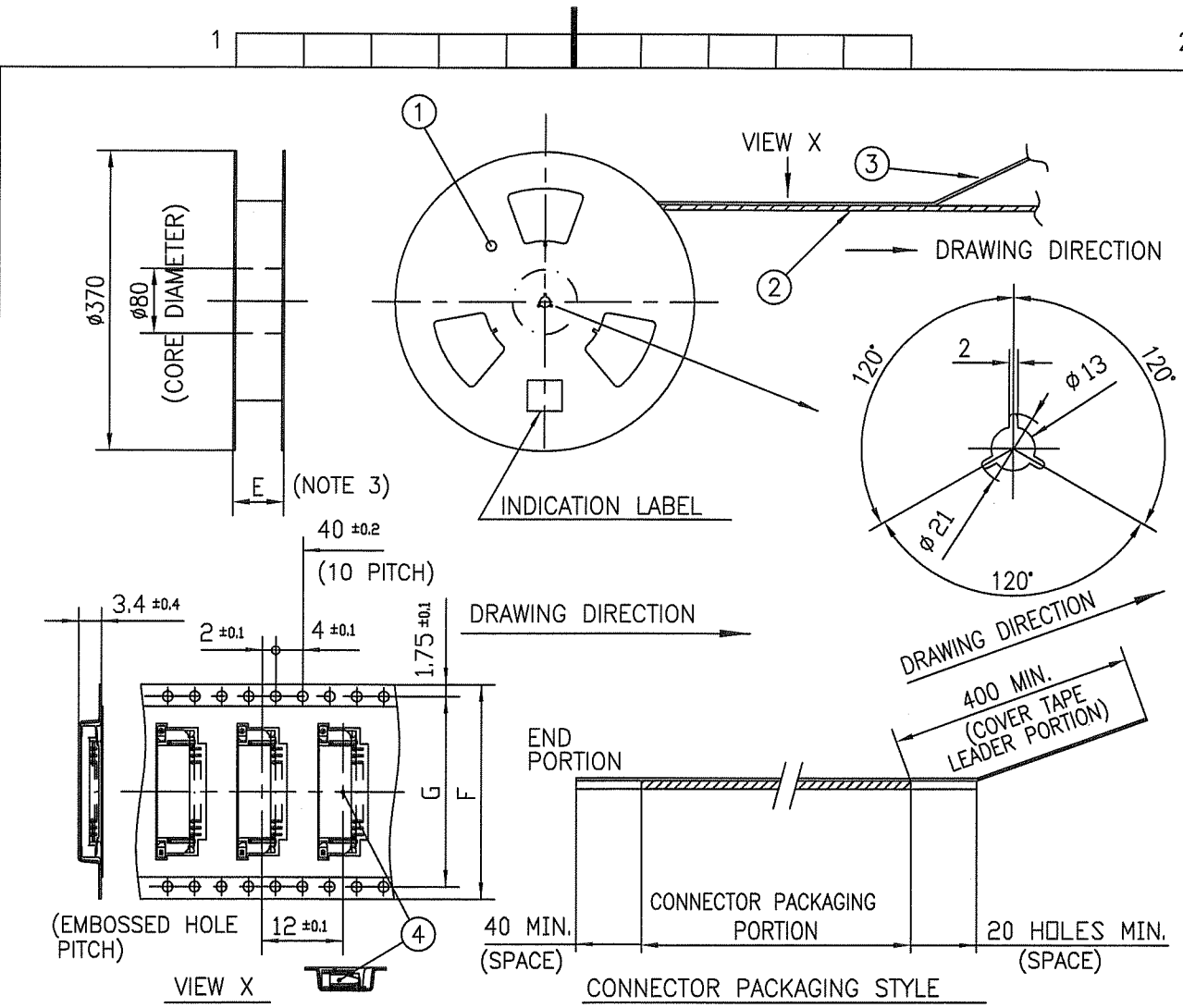


FCIconnect.com

Copyright FCI.



D



PT. NO.	PARTS NAME	CAT. NO.	MATERIAL	Q'TY	NOTE
1	REEL	_____	CARDBOARD	1	COLOR:WHITE
2	PLASTIC (EMBOSS) TAPE	_____	PET	—	COLOR:TRANSPARENCY
3	COVER	_____	POLYESTER	—	COLOR:TRANSPARENCY
4	CONNECTOR	SFW_R-2STA_LF	SEE ATTACHED DWG.	2000	UPPER CONTACT TYPE

NOTES

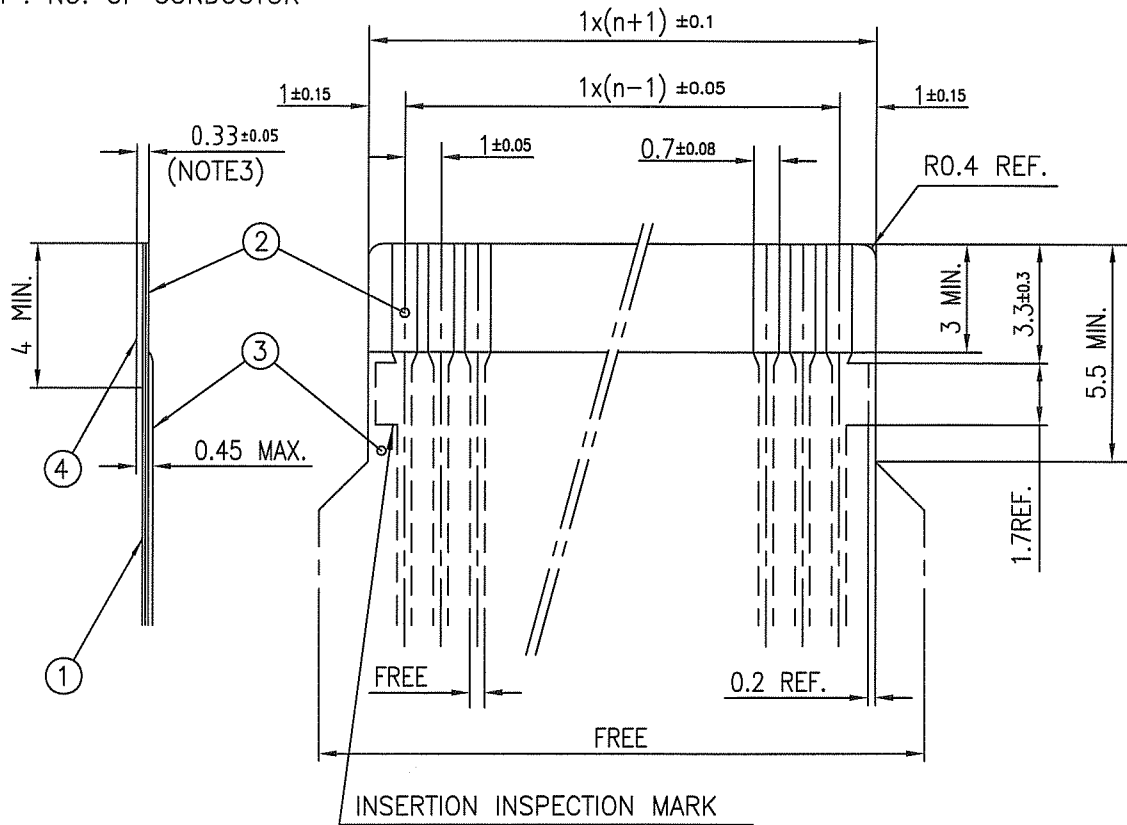
1. THIS IS PLASTIC TAPE PACKAGED CONNECTOR USED FOR FPC AND COPES WITH AUTOMATIC MOUNTING (SMT).
2. SEE JIS C 0806 (PACKING OF ELECTRONIC COMPONENTS ON CONTINUOUS TAPES (SURFACE MOUNTING DEVICES)) FOR SHAPE AND DIMENSIONS OF PLASTIC (EMBOSS) TAPE AND REEL.
3. E DIMENSION IS PORTION OF THE CORE.

mat'l. code		surface ISO 1302		tolerance ISO 406 ISO 1101		projection		product family 58RF		CODE JP	
ltr		ecn no		dr		date		title		PLASTIC TAPE PACKAGED 1mm SPACING SMT CONNECTOR (Cat. No. SFW__R-2STAE1 LF)	
A		J04-0413		H.T		11/16/04		mm		sheet 1 of 1 size	
B		J05-0055		H.T		2/4/05		scale X		A4	
C		J06-0398		H.T		9/26/06		FCI		JSA 96112	
D		J09-0358		M.Y		2009-10-5		type Product Customer Drawing		Rev. D	
sheet index		revision sheet		D		1					

SC_SFW14 JSA95888 form: A4

RECOMMENDED CABLE (FPC)

n : NO. OF CONDUCTOR



PT. NO.	PARTS NAME	MATERIAL	THICKNESS (um)
1	BASE FILM	POLYIMIDE OR POLYESTER OR EQUAL	25
2	CONDUCTOR	COPPER FOIL (PLATING : Ni UNDER PLATING GOLD0.5um MIN.)	35
3	OVERLAY	POLYIMIDE OR POLYESTER OR EQUAL	—
4	SUPPORTING TAPE	POLYESTER OR POLYIMIDE OR EQUAL	188

- NOTES
1. NO BURR AT EACH PORTION.
 2. NO PEELING IN COMMON USE.
 3. TOTAL THICKNESS LIMIT OF EACH MATERIAL (INCLUDING ADHESIVE AGENT) IS SPECIFIED.

mat'l. code				surface 58 ISO 1302		tolerance ISO 406 ISO 1101		projection 		product family 58RF		CODE JP	
ltr ecn no dr date				tolerances unless otherwise specified		angles		mm		title RECOMMENDED CABLE (Cat. No. SFW__R-1/2STA_)			
AA J04-0413 H.T 11/16/04				linear				scale X					
AB J06-0398 H.T 9/26/06													
AC J09-0358 M.Y 2009-10-5													
				dr M.SAYANISHITA 2009-10-5		engr M.SAYANISHITA 2009-10-5		chr S. W. Nishida 2009-10-6		appd S. Chudani 2009-10-6		FCJ	
				sheet index		revision		AC		sheet		1	
				sheet		1						Rev. AC	

Компания «Life Electronics» занимается поставками электронных компонентов импортного и отечественного производства от производителей и со складов крупных дистрибьюторов Европы, Америки и Азии.

С конца 2013 года компания активно расширяет линейку поставок компонентов по направлению коаксиальный кабель, кварцевые генераторы и конденсаторы (керамические, пленочные, электролитические), за счёт заключения дистрибьюторских договоров

Мы предлагаем:

- Конкурентоспособные цены и скидки постоянным клиентам.
- Специальные условия для постоянных клиентов.
- Подбор аналогов.
- Поставку компонентов в любых объемах, удовлетворяющих вашим потребностям.
- Приемлемые сроки поставки, возможна ускоренная поставка.
- Доставку товара в любую точку России и стран СНГ.
- Комплексную поставку.
- Работу по проектам и поставку образцов.
- Формирование склада под заказчика.
- Сертификаты соответствия на поставляемую продукцию (по желанию клиента).
- Тестирование поставляемой продукции.
- Поставку компонентов, требующих военную и космическую приемку.
- Входной контроль качества.
- Наличие сертификата ISO.

В составе нашей компании организован Конструкторский отдел, призванный помогать разработчикам, и инженерам.

Конструкторский отдел помогает осуществить:

- Регистрацию проекта у производителя компонентов.
- Техническую поддержку проекта.
- Защиту от снятия компонента с производства.
- Оценку стоимости проекта по компонентам.
- Изготовление тестовой платы монтаж и пусконаладочные работы.



Тел: +7 (812) 336 43 04 (многоканальный)

Email: org@lifeelectronics.ru