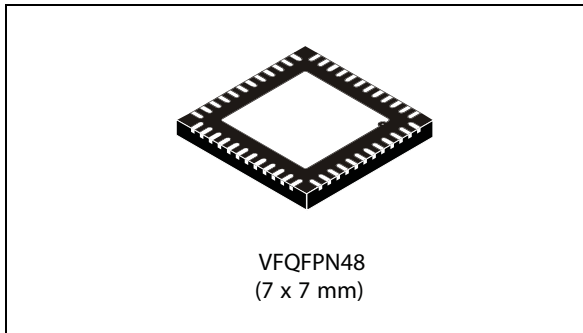


## 2.5 A single high-side smart power switch

Datasheet - production data



### Features

- Operating voltage range ( $V_S$ ) 9.5 V to 35 V
- Up to  $I_{out} = 2.5$  A operating current
- $R_{DS(on)}$ : 0.1  $\Omega$
- Internal current limit
- Thermal shutdown
- Open ground protection
- Internal negative voltage clamping for fast demagnetization ( $V_{demag} = V_S - 50$  V)
- Differential inputs with large common mode range and threshold hysteresis
- Undervoltage lockout with hysteresis
- Open load detection
- Two diagnostic outputs
- Output status LED driver
- Non-dissipative short-circuit protection
- Surge and transient protection (IEC61000-4-5)
- Burst transient immunity (IEC61000-4-4)
- ESD protection (human body model  $\pm 2$  kV)

### Applications

- Programmable logic controller
- Industrial PC peripheral input/output
- Numerical control machines
- Drivers for all loads (resistive, capacitive, inductive load)

### Description

The L6370Q is a monolithic intelligent power switch in BCDmultipower technology to drive inductive or resistive loads. An internal clamping diode enables the fast demagnetization of inductive loads. Diagnostic for CPU feedback and extensive use of electrical protections make this device extremely rugged and especially suitable for industrial automation applications.

**Table 1. Device summary**

Part number	Package	Packaging
L6370Q	VFQFPN 7 x 7 x 1 48L	Tube
L6370QTR		Tape and reel

# Contents

- 1      Block diagram and pin description ..... 3**
  - Pin description ..... 4
  
- 2      Electrical specifications ..... 6**
  - 2.1 Absolute maximum ratings ..... 6
  - 2.2 Thermal data ..... 6
  - 2.3 Electrical characteristics ..... 7
  - 2.4 AC operation ..... 9
  
- 3      Circuit description ..... 10**
  - 3.1 Diagnostic truth table .....11
  - 3.2 Input section .....11
  - 3.3 Diagnostic logic .....11
  - 3.4 Short-circuit operation ..... 12
  - 3.5 Overtemperature protection (OVT) ..... 12
  - 3.6 Undervoltage protection (UV) ..... 12
  - 3.7 Demagnetization of inductive loads ..... 13
  
- 4      Package information ..... 14**
  - 4.1 VFQFPN48 (7 x 7 x 1.0 mm) package information ..... 14
  
- 5      Revision history ..... 16**

# 1 Block diagram and pin description

Figure 1. Block diagram

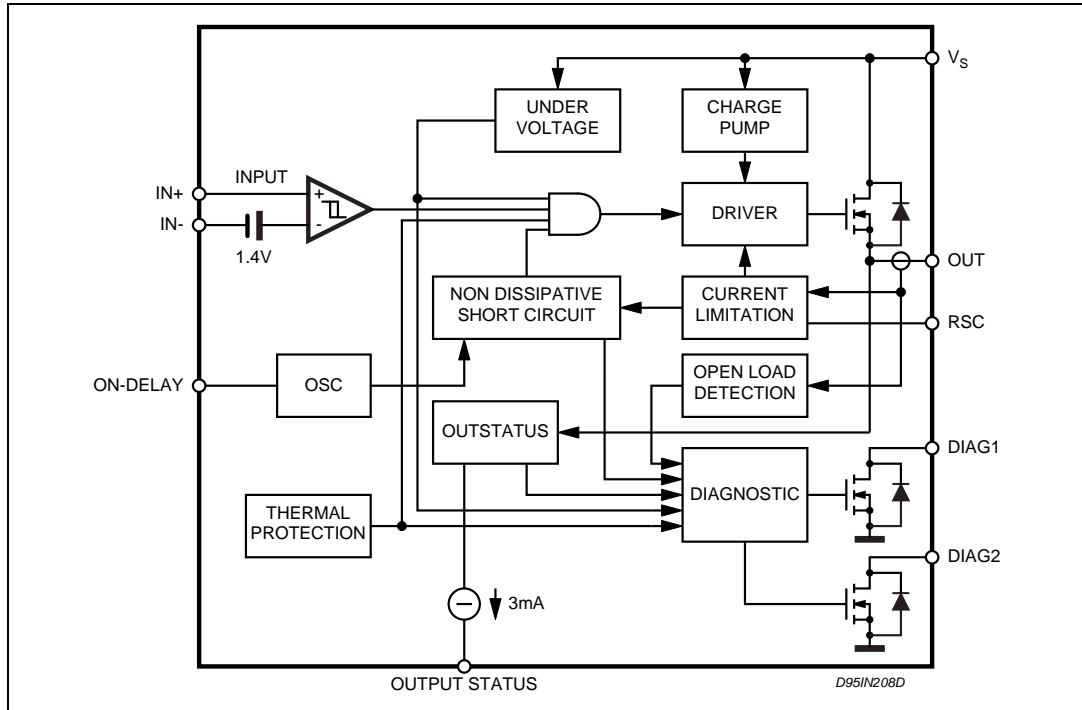
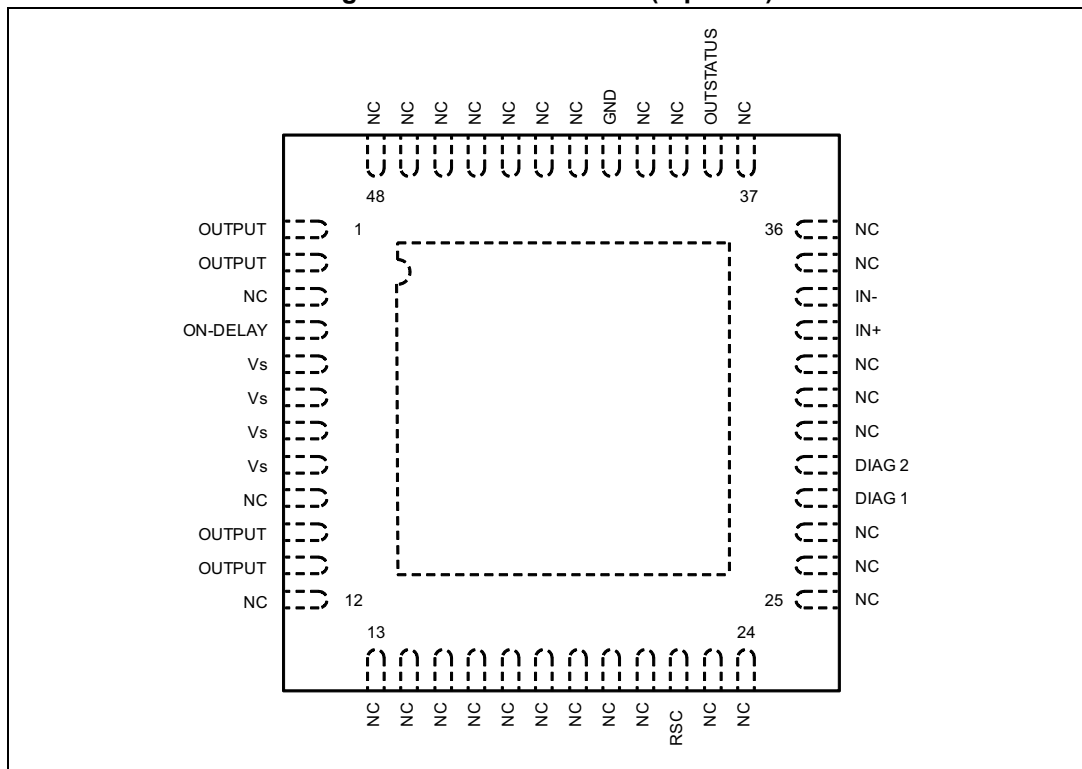


Figure 2. Pin connections (top view)



## Pin description

**Table 2. Pin description**

Pin	Name	Description
1	OUTPUT	High-side output with built-in current limitation
2	OUTPUT	High-side output with built-in current limitation
3	NC	Not connected
4	ON-DELAY	Programmable on-time interval duration during short-circuit operation
5	Vs	Supply voltage input, the value of the supply voltage is monitored to detect undervoltage conditions
6	Vs	Supply voltage input, the value of the supply voltage is monitored to detect undervoltage conditions
7	Vs	Supply voltage input, the value of the supply voltage is monitored to detect undervoltage conditions
8	Vs	Supply voltage input, the value of the supply voltage is monitored to detect undervoltage conditions
9	NC	Not connected
10	OUTPUT	High-side output with built-in current limitation
11	OUTPUT	High-side output with built-in current limitation
12	NC	Not connected
13	NC	Not connected
14	NC	Not connected
15	NC	Not connected
16	NC	Not connected
17	NC	Not connected
18	NC	Not connected
19	NC	Not connected
20	NC	Not connected
21	NC	Not connected
22	RSC	Current limitation settings
23	NC	Not connected
24	NC	Not connected
25	NC	Not connected
26	NC	Not connected
27	NC	Not connected
28	DIAG1	DIAGNOSTIC1 output. This open drain reports the IC working conditions (see <a href="#">Table 6 on page 9</a> ).
29	DIAG2	DIAGNOSTIC2 output. This open drain reports the IC working conditions (see <a href="#">Table 6</a> ).

Table 2. Pin description (continued)

Pin	Name	Description
30	NC	Not connected
31	NC	Not connected
32	NC	Not connected
33	IN+	Comparator inverting input
34	IN-	Comparator non-inverting input
35	NC	Not connected
36	NC	Not connected
37	NC	Not connected
38	OUTSTATUS	This current source output drives a LED to signal the status of the output pin. The pin is active (source current) when the output pin is considered high.
39	NC	Not connected
40	NC	Not connected
41	GND	Ground
42	NC	Not connected
43	NC	Not connected
44	NC	Not connected
45	NC	Not connected
46	NC	Not connected
47	NC	Not connected
48	NC	Not connected

## 2 Electrical specifications

### 2.1 Absolute maximum ratings

Table 3. Absolute maximum ratings

Symbol	Parameter	Value	Unit
$V_S$	Supply voltage ( $T_w < 10$ ms)	50	V
$V_S - V_O$	Supply to output differential voltage (see also $V_{cl}$ )	Internally limited	V
$V_{od}$	Externally forced voltage	-0.3 to 7	V
$I_{od}$	Externally forced current	$\pm 1$	mA
$V_{IN}$	Input voltage	-10 to $V_S + 10$	V
$V_i$	Differential input voltage	43	V
$I_{IN}$	Input current	20	mA
$I_{out}$	Output current (see also $I_{sc}$ )	Internally limited	A
$E_{AS}$	Single pulse avalanche energy ( $T_{amb} = 125$ °C, $V_{CC} = 24$ V, $I_{load} = 2.0$ A)	6.0	J
$P_{TOT}$	Power dissipation (see also thermal characteristics)	Internally limited	W
$T_{op}$	Operating temperature range	-40 to +105	°C
$T_{STG}$	Storage temperature	-55 to 150	°C

### 2.2 Thermal data

Table 4. Thermal data

Symbol	Description	Value	Unit
$R_{th(JC)}$	Thermal resistance junction-case	Max. 4	°C/W
$R_{th(JA)}$	Thermal resistance junction-ambient <sup>(1)</sup>	Max. 50	

1. Mounted on a 2-side + vias PCB with a ground dissipating area on the bottom side.

## 2.3 Electrical characteristics

( $V_s = 24\text{ V}$ ;  $T_j = -25\text{ to }+125\text{ }^\circ\text{C}$ , unless otherwise specified)

**Table 5. Electrical characteristics**

Symbol	Parameter	Test conditions	Min.	Typ.	Max.	Unit
$V_{smin}$	Supply voltage for valid diagnostics	$I_{diag} > 0.5\text{ mA}$ ; $V_{dg1} = 1.5\text{ V}$	4	-	35	V
$V_s$	Supply voltage (operative)	-	9.5	24	35	V
$I_q$	Quiescent current $I_{out} = I_{os} = 0$	$V_{il}$ $V_{ih}$	-	0.8 3	1.4 4	mA
$V_{sth1}$	Undervoltage threshold 1	$T_{amb} = 0\text{ to }+85\text{ }^\circ\text{C}$ (see <a href="#">Figure 4</a> )	8.5	9	9.5	V
$V_{sth2}$	Undervoltage threshold 2	-	8	8.5	9	V
$V_{sth3}$	Supply voltage hysteresis	-	300	500	700	mV
$I_{sc}$	Short-circuit current	$V_s = 9.5\text{ to }35\text{ V}$ ; $R_L = 2\ \Omega$ $5\text{ k}\Omega < R_{SC} < 30\text{ k}\Omega$	15/ $R_{SC}(\text{k}\Omega)$			A
		$0 < R_{SC} < 5\text{ k}\Omega$	2.6	3.2	4	A
$V_{don}$	Output voltage drop	$I_{out} = 2.0\text{ A}$ , $T_j = 25\text{ }^\circ\text{C}$ $T_j = 125\text{ }^\circ\text{C}$	-	200 320	280 440	mV
		$I_{out} = 2.5\text{ A}$ , $T_j = 25\text{ }^\circ\text{C}$ $T_j = 125\text{ }^\circ\text{C}$	-	250 400	350 550	mV
$I_{oslk}$	Output leakage current	$V_i = V_{ij}$ ; $V_o = 0\text{ V}$	-	-	500	$\mu\text{A}$
$V_{ol}$	Low-state out voltage	$V_i = V_{ij}$ ; $R_L = \infty$	-	0.8	1.5	V
$V_{cl}$	Internal voltage clamp ( $V_s - V_o$ )	$I_o = 1\text{ A}$ Single pulsed: $T_p = 300\ \mu\text{s}$	48	53	58	V
$I_{old}$	Open load detection current	$V_i = V_{ih}$ ; $T_{amb} = 0\text{ to }+85\text{ }^\circ\text{C}$	1	3	6	mA
$V_{id}$	Common mode input voltage range (operative)	$V_s = 18\text{ to }35\text{ V}$	-7	-	15	V
$I_{ib}$	Input bias current	$V_i = -7\text{ to }15\text{ V}$ ; $-I_n = 0\text{ V}$	-250	-	250	$\mu\text{A}$
$V_{ith}$	Input threshold voltage	$V + I_n > V - I_n$	0.8	1.4	2	V
$V_{iths}$	Input threshold hysteresis voltage	$V + I_n > V - I_n$	50	-	400	mV
$R_{id}$	Differential input resistance	$0 < +I_n < +16\text{ V}$ ; $-I_n = 0\text{ V}$ $-7 < +I_n < 0\text{ V}$ ; $-I_n = 0\text{ V}$	-	400 150	-	k $\Omega$
$I_{ilk}$	Input offset current	$V + I_n = V - I_n$ +li	-20		+20	$\mu\text{A}$
		$0\text{ V} < V_i < 5.5\text{ V}$ -li	-75	-25		
		$-I_n = \text{GND}$ +li		+10	+50	
		$0\text{ V} < V + I_n < 5.5\text{ V}$ -li	-250	-125		
		$+I_n = \text{GND}$ +li	-100	-30		
		$0\text{ V} < V - I_n < 5.5\text{ V}$ -li	-50	-15	-	

**Table 5. Electrical characteristics (continued)**

Symbol	Parameter	Test conditions	Min.	Typ.	Max.	Unit
V <sub>oth1</sub>	Output status threshold 1 voltage	(See <a href="#">Figure 3</a> )	4.5	5	5.5	V
V <sub>oth2</sub>	Output status threshold 2 voltage		4	4.5	5.0	V
V <sub>ohys</sub>	Output status threshold hysteresis		300	500	700	mV
I <sub>osd</sub>	Output status source current	V <sub>out</sub> > V <sub>oth1</sub> ; V <sub>os</sub> = 2.5 V	2	-	4	mA
V <sub>osd</sub>	Active output status driver drop voltage	V <sub>s</sub> - V <sub>os</sub> ; I <sub>os</sub> = 2 mA T <sub>amb</sub> = 0 to +85 °C	-	1.5	3	V
I <sub>oslk</sub>	Output status driver leakage current	V <sub>out</sub> < V <sub>oth2</sub> ; V <sub>os</sub> = 0 V V <sub>s</sub> = 9.5 to 35 V	-	-	25	µA
V <sub>dgl</sub>	Diagnostic drop voltage	D1 / D2 = L; I <sub>ddiag</sub> = 0.5 mA D1 / D2 = L; I <sub>ddiag</sub> = 3 mA	-	40 250	-	mV
I <sub>dglk</sub>	Diagnostic leakage current	D1 / D2 = H; 0 < V <sub>dg</sub> < V <sub>s</sub> V <sub>s</sub> = 9.5 to 35 V	-	-	5	µA
<b>Source drain NDMOS diode</b>						
V <sub>f<sub>sd</sub></sub>	Forward on voltage	At I <sub>f<sub>sd</sub></sub> = 2.5 A	-	1	1.5	V
I <sub>f<sub>p</sub></sub>	Forward peak current	t = 10 ms; d = 20%	-	-	6	A
t <sub>rr</sub>	Reverse recovery time	I <sub>f</sub> = 2.5 A di/dt = 25 A/µs	-	200	-	ns
t <sub>fr</sub>	Forward recovery time	-	-	100	-	ns
<b>Thermal characteristics</b>						
Θ <sub>lim</sub>	Junction temperature protection	-	135	150	-	°C
Θ <sub>th</sub>	Thermal hysteresis	-	-	20	-	°C

Note: V<sub>ij</sub> ≤ 0.8 V, V<sub>ih</sub> ≥ 2 V at (V + I<sub>n</sub> > V - I<sub>n</sub>).



## 2.4 AC operation

Table 6. AC operation

Symbol	Parameter	Test conditions	Min.	Typ.	Max.	Unit
$t_r - t_f$	Rise or fall time	$V_s = 24\text{ V}; R_l = 70\ \Omega; R_l$ to ground	-	20	-	$\mu\text{s}$
$t_d$	Delay time	-	-	5	-	$\mu\text{s}$
dV/dt	Slew rate (rise and fall edge)	-	0.7	1	1.5	V/ $\mu\text{s}$
$t_{ON}$	On-time during short-circuit condition	$50\ \text{pF} < C_{ON} < 2\ \text{nF}$	-	1.28	-	$\mu\text{s/pF}$
$t_{OFF}$	Off-time during short-circuit condition	-	-	64	-	$t_{ON}$
$f_{max}$	Maximum operating frequency	-	-	25	-	kHz

### 3 Circuit description

Figure 3. Output status hysteresis

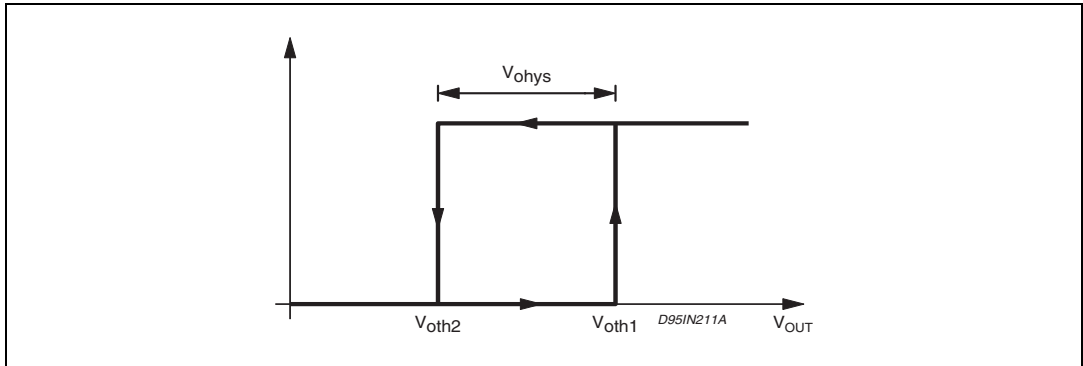


Figure 4. Undervoltage comparator hysteresis

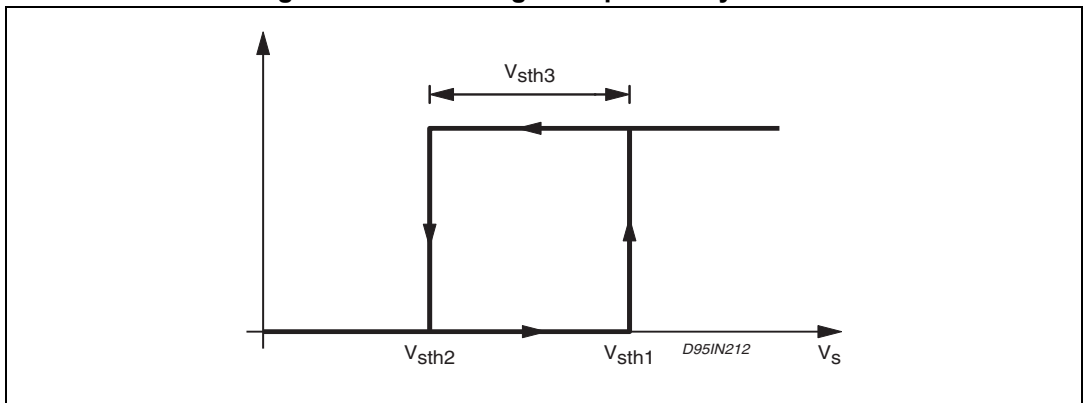
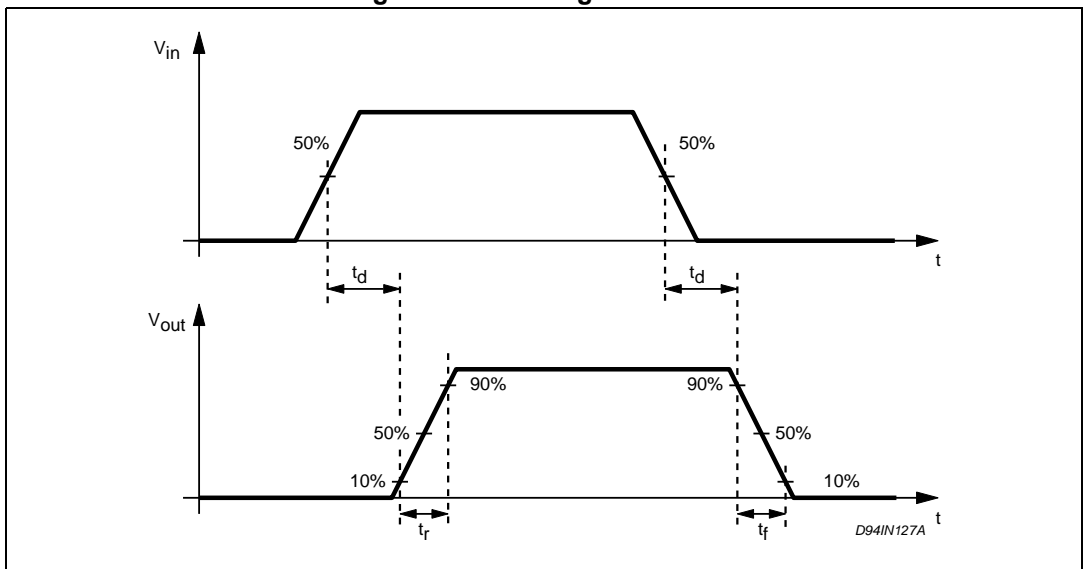


Figure 5. Switching waveforms



### 3.1 Diagnostic truth table

Table 7. Diagnostic truth table

Diagnostic conditions	Input	Output	Diag1	Diag2
Normal operation	L	L	H	H
	H	H	H	H
Open load condition ( $I_o < I_{old}$ )	L	L	H	H
	H	H	L	H
Short to $V_s$	L	H	L	H
	H	H	L	H
Short-circuit to ground ( $I_o = I_{SC}$ ) <sup>(1)</sup> (ON-DELAY pin grounded)	H	X	H	H
	L	L	H	H
Output DMOS open	L	L	H	H
	H	L	L	H
Overtemperature	L	L	H	L
	H	L	H	L
Supply undervoltage ( $V_s < V_{sth2}$ )	L	L	L	L
	H	L	L	L

1. A cold lamp filament, or a capacitive load may activate the current limiting circuit of the IPS, when the IPS is initially turned on.

### 3.2 Input section

The input section is a high impedance differential stage with high common and differential mode range. Built-in offset of +1.4 V (typical value) and a hysteresis of 400 mV (maximum value) assure high noise immunity.

### 3.3 Diagnostic logic

The operating conditions of the device are permanently monitored and the following occurrences are indicated by DIAG1/DIAG2 open drain output pins:

- Short-circuit versus ground. A current limit circuit fixes  $I_{SC} = 3.2$  A (typical value) the maximum current that can be sourced from the OUTPUT pin (for more details see [Section 3.4: Short-circuit operation](#))
- Short-circuit versus  $V_s$
- Undervoltage (UV)
- Overtemperature (OVT)
- Open load, if the output current is less than 3 mA (typical value)
- Output DMOS open according to [Table 7](#)

### 3.4 Short-circuit operation

In order to minimize the power dissipation when the output is shorted-to-ground, an innovative, non-dissipative short-circuit protection (patent pending) is implemented, avoiding the thermal protection.

Whenever the output is shorted-to-ground, or, an overcurrent is sinked by the load, the output devices are driven to linear mode, sourcing the  $I_{sc}$  current (3.2 A typ.) for a time interval ( $t_{ON}$ ) defined by the external  $C_{ON}$  capacitor connected between the ON-DELAY pin and GND. If the short-circuit increases within the  $t_{ON}$  interval the DIAG2 output status is not affected, acting as a programmable diagnostic delay.

This function allows the device to drive a capacitive load or a filament lamp (that exhibits a very low resistance during the initial heading phase) without the diagnostic. If the short-circuit lasts for the whole  $t_{ON}$  interval, the output DMOS is switched off and the DIAG2 goes low, for a time interval  $t_{OFF}$  lasting  $t_{ON}$  64 times.

At the end of the  $t_{OFF}$  interval if the short-circuit condition is still present, the output DMOS is turned on (and the DIAG2 goes high - see [Figure 7](#)) for another  $t_{ON}$  interval and the sequence starts again, otherwise, the normal condition operation is resumed.

The  $t_{ON}$  interval can be set to last between 64 ms and 2.56 ms for a  $C_{ON}$  capacitor value ranging between 50 pF and 2 nF:

#### Equation 1

$$t_{ON} (\mu s) = 1.28 C_{ON} (pF)$$

If the ON-DELAY pin is grounded, the non-dissipative short-circuit protection is disabled and the  $I_{sc}$  current is delivered until the overtemperature protection shuts the device off. The behavior of the DIAG2 output is, in this situation, showed in [Table 7](#).

### 3.5 Overtemperature protection (OVT)

If the chip temperature exceeds  $\Theta_{lim}$  (measured in a central position in the chip) the chip deactivates itself.

The following actions are taken:

- the output stage is switched off
- the signal DIAG2 is activated (active low)

Normal operation is resumed as soon as (after some seconds) the chip temperature monitored goes back below  $\Theta_{lim} - \Theta_{th}$ .

The different thresholds with hysteretic behavior assure that any intermittent condition can be generated.

### 3.6 Undervoltage protection (UV)

The supply voltage is expected to range from 9.5 V to 35 V, even if its reference value is 24 V.

In this range, the device operates correctly. Below 9.5 V the overall system is not reliable.

Protection shuts off the output whenever the supply voltage falls below the mask fixed by  $V_{sth1}$  (9 V typ.) and  $V_{sth2}$  (8.5 V typ.).

The hysteresis (see [Figure 4](#)) assures a non-intermittent behavior at low supply voltage with a superimposed ripple. The undervoltage status is indicated by the DIAG1 and DIAG2 outputs (see [Table 7](#)).

### 3.7 Demagnetization of inductive loads

An internal Zener diode, limiting the voltage across the power MOSFET between 50 and 60 V ( $V_{ci}$ ), provides safe and fast demagnetization of inductive loads without external clamping devices. The maximum energy that can be absorbed by an inductive load is specified in [Table 3](#).

Figure 6. L6370Q short-circuit operation waveforms

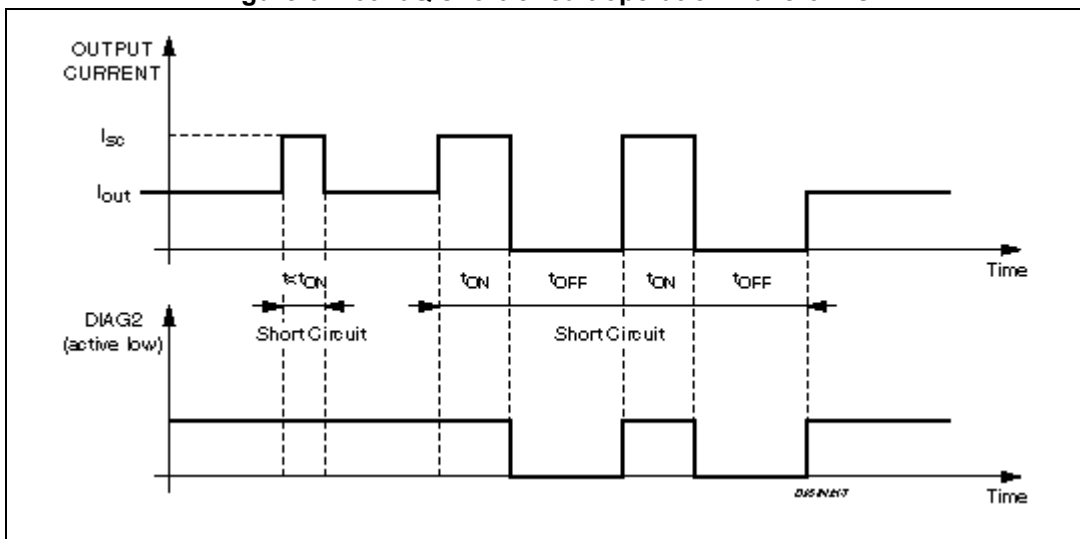
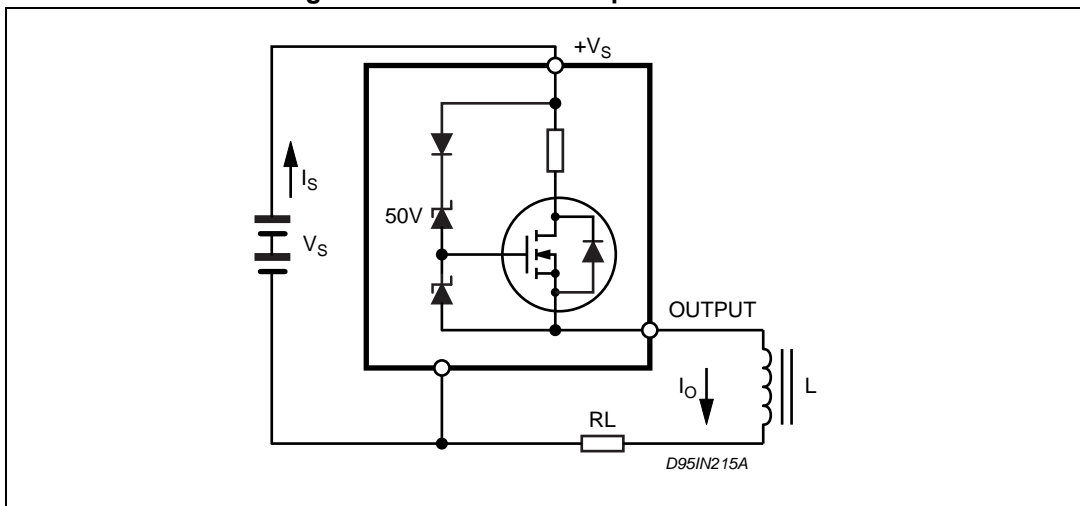


Figure 7. Inductive load equivalent circuit



## 4 Package information

In order to meet environmental requirements, ST offers these devices in different grades of ECOPACK<sup>®</sup> packages, depending on their level of environmental compliance. ECOPACK<sup>®</sup> specifications, grade definitions and product status are available at: [www.st.com](http://www.st.com). ECOPACK<sup>®</sup> is an ST trademark.

### 4.1 VFQFPN48 (7 x 7 x 1.0 mm) package information

Figure 8. VFQFPN48 (7 x 7 x 1.0 mm) package outline

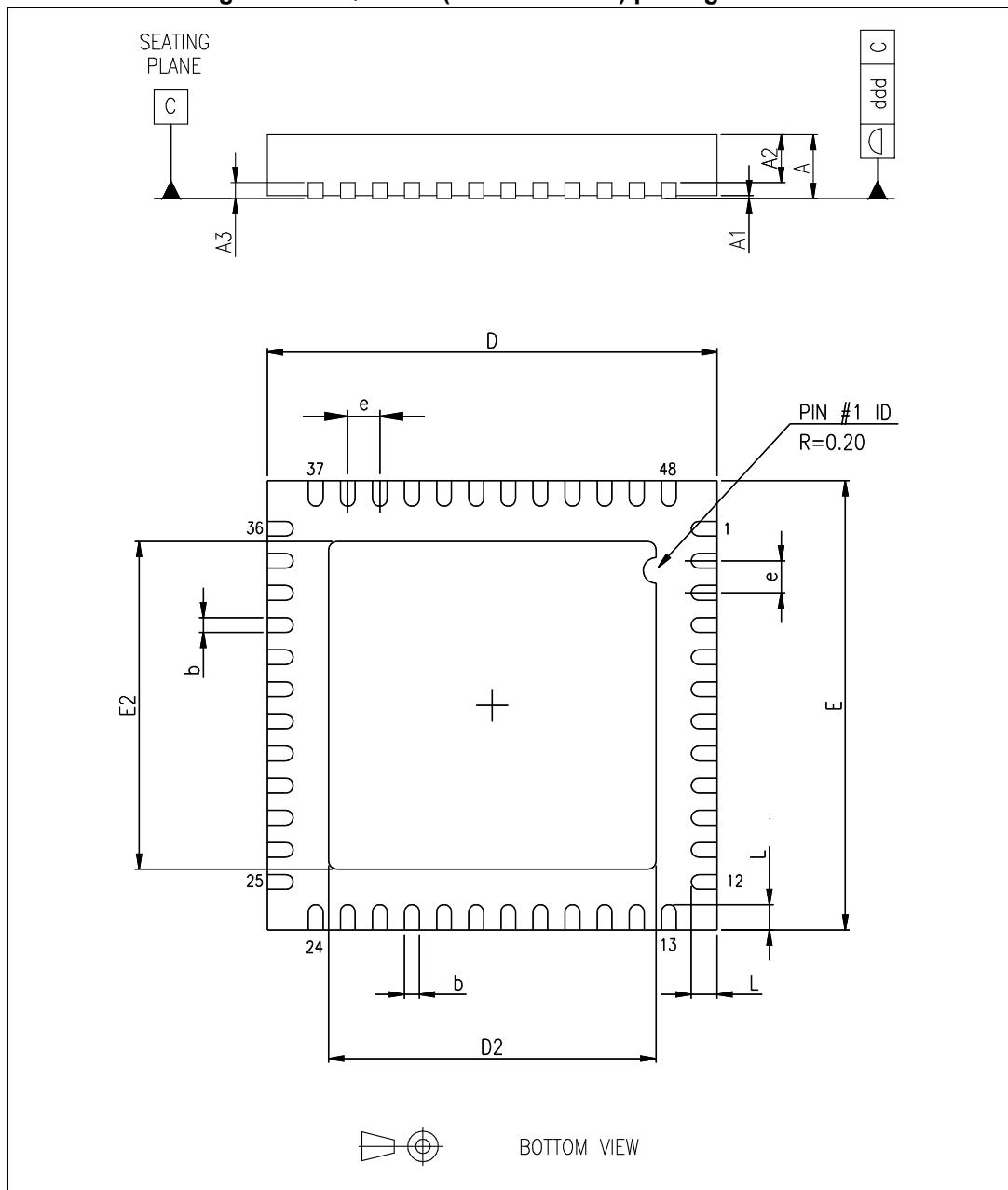


Table 8. VFQFPN48 (7 x 7 x 1.0 mm) package mechanical data

Symbol	Dimensions (mm)		
	Min.	Typ.	Max.
A	0.80	0.90	1.00
A1	-	0.02	0.05
A2	-	0.65	1.00
A3	-	0.25	-
b	0.18	0.23	0.30
D	6.85	7.00	7.15
D2	4.95	5.10	5.25
E	6.85	7.00	7.15
E2	4.95	5.10	5.25
e	0.45	0.50	0.55
L	0.30	0.40	0.50
ddd	-	0.08	-

## 5 Revision history

**Table 9. Document revision history**

Date	Revision	Changes
04-Oct-2011	1	Initial release.
24-Jan-2013	2	Changed the operating temperature range parameter in <a href="#">Table 3</a> . Minor text changes.
06-Apr-2018	3	Updated <a href="#">Table 3</a> (replaced $E_i$ by $E_{AS}$ symbol, updated parameter and value). Minor modifications throughout document.



**IMPORTANT NOTICE – PLEASE READ CAREFULLY**

STMicroelectronics NV and its subsidiaries (“ST”) reserve the right to make changes, corrections, enhancements, modifications, and improvements to ST products and/or to this document at any time without notice. Purchasers should obtain the latest relevant information on ST products before placing orders. ST products are sold pursuant to ST’s terms and conditions of sale in place at the time of order acknowledgement.

Purchasers are solely responsible for the choice, selection, and use of ST products and ST assumes no liability for application assistance or the design of Purchasers’ products.

No license, express or implied, to any intellectual property right is granted by ST herein.

Resale of ST products with provisions different from the information set forth herein shall void any warranty granted by ST for such product.

ST and the ST logo are trademarks of ST. All other product or service names are the property of their respective owners.

Information in this document supersedes and replaces information previously supplied in any prior versions of this document.

© 2018 STMicroelectronics – All rights reserved

Компания «Life Electronics» занимается поставками электронных компонентов импортного и отечественного производства от производителей и со складов крупных дистрибьюторов Европы, Америки и Азии.

С конца 2013 года компания активно расширяет линейку поставок компонентов по направлению коаксиальный кабель, кварцевые генераторы и конденсаторы (керамические, пленочные, электролитические), за счёт заключения дистрибьюторских договоров

Мы предлагаем:

- Конкурентоспособные цены и скидки постоянным клиентам.
- Специальные условия для постоянных клиентов.
- Подбор аналогов.
- Поставку компонентов в любых объемах, удовлетворяющих вашим потребностям.
- Приемлемые сроки поставки, возможна ускоренная поставка.
- Доставку товара в любую точку России и стран СНГ.
- Комплексную поставку.
- Работу по проектам и поставку образцов.
- Формирование склада под заказчика.
- Сертификаты соответствия на поставляемую продукцию (по желанию клиента).
- Тестирование поставляемой продукции.
- Поставку компонентов, требующих военную и космическую приемку.
- Входной контроль качества.
- Наличие сертификата ISO.

В составе нашей компании организован Конструкторский отдел, призванный помогать разработчикам, и инженерам.

Конструкторский отдел помогает осуществить:

- Регистрацию проекта у производителя компонентов.
- Техническую поддержку проекта.
- Защиту от снятия компонента с производства.
- Оценку стоимости проекта по компонентам.
- Изготовление тестовой платы монтаж и пусконаладочные работы.



Тел: +7 (812) 336 43 04 (многоканальный)  
Email: [org@lifeelectronics.ru](mailto:org@lifeelectronics.ru)