

# MAX6957

# 4-Wire-Interfaced, 2.5V to 5.5V, 20-Port and 28-Port LED Display Driver and I/O Expander

## General Description

The MAX6957 compact, serial-interfaced LED display driver general-purpose I/O (GPIO) peripheral provides microprocessors with up to 28 ports. Each port is individually user configurable to either a logic input, logic output, or common-anode (CA) LED constant-current segment driver. Each port configured as an LED segment driver behaves as a digitally controlled constant-current sink, with 16 equal current steps from 1.5mA to 24mA. The LED drivers are suitable for both discrete LEDs and CA numeric and alphanumeric LED digits.

Each port configured as a GPIO can be either a push-pull logic output capable of sinking 10mA and sourcing 4.5mA, or a Schmitt logic input with optional internal pullup. Seven ports feature configurable transition detection logic, which generates an interrupt upon change of port logic level. The MAX6957 is controlled through an SPI-compatible 4-wire serial interface.

The MAX6957AAX and MAX6957ATL have 28 ports and are available in 36-pin SSOP and 40-pin TQFN (6mm x 6mm) packages, respectively. The MAX6957AAI and MAX6957ANI have 20 ports and are available in 28-pin SSOP and 28-pin DIP packages, respectively.

For a 2-wire interfaced version, refer to the MAX6956 data sheet.

For a lower cost pin-compatible port expander without the constant-current LED drive capability, refer to the MAX7301 data sheet.

## Applications

- Set-Top Boxes
- Panel Meters
- White Goods
- Bar Graph Displays
- Industrial Controllers
- System Monitoring

*Typical operating Circuit appears at end of data sheet.*

QSPI is a trademark of Motorola, Inc.

MICROWIRE is a registered trademark of National Semiconductor Corp.

## Features

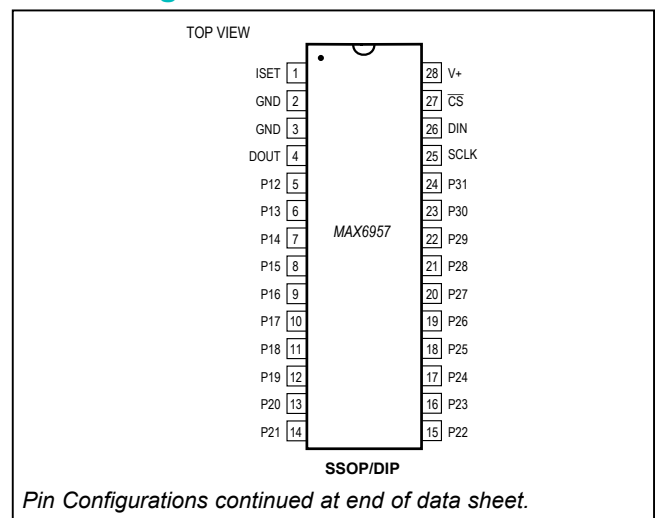
- High-Speed 26MHz SPI-/QSPI™-/MICROWIRE®-Compatible Serial Interface
- 2.5V to 5.5V Operation
- -40°C to +125°C Temperature Range
- 20 or 28 I/O Ports, Each Configurable as Constant-Current LED Driver  
Push-Pull Logic Output  
Schmitt Logic Input  
Schmitt Logic Input with Internal Pullup
- 11µA (max) Shutdown Current
- 16-Step Individually Programmable Current Control for Each LED
- Logic Transition Detection for Seven I/O Ports

## Ordering Information

| PART       | TEMP RANGE      | PIN-PACKAGE |
|------------|-----------------|-------------|
| MAX6957ANI | -40°C to +125°C | 28 DIP      |
| MAX6957AAI | -40°C to +125°C | 28 SSOP     |
| MAX6957AAX | -40°C to +125°C | 36 SSOP     |
| MAX6957ATL | -40°C to +125°C | 40 TQFN-EP* |

\*Exposed pad.

## Pin Configurations



**Absolute Maximum Ratings**

Voltage (with Respect to GND)  
 V+ .....-0.3V to +6V  
 All Other pins.....-0.3V to (V+ + 0.3V)  
 P4–P31 Current .....±30mA  
 GND Current .....800mA  
 Continuous Power Dissipation (T<sub>A</sub> = +70°C)  
 28-Pin PDIP (derate 14.3mW/°C above +70°C) .....1143mW  
 28-Pin SSOP (derate 9.1mW/°C above +70°C).....727mW  
 36-Pin SSOP (derate 11.8mW/°C above +70°C) .....941mW  
 40-Pin TQFN (derate 37.0mW/°C above +70°C).....2963mW

Operating Temperature Range (T<sub>MIN</sub>, T<sub>MAX</sub>).... -40°C to +125°C  
 Junction Temperature ..... +150°C  
 Storage Temperature Range ..... -65°C to +150°C  
 Lead Temperature (soldering, 10s) ..... +300°C

*Stresses beyond those listed under "Absolute Maximum Ratings" may cause permanent damage to the device. These are stress ratings only, and functional operation of the device at these or any other conditions beyond those indicated in the operational sections of the specifications is not implied. Exposure to absolute maximum rating conditions for extended periods may affect device reliability.*

**Electrical Characteristics**

(Typical Operating Circuit, V+ = 2.5V to 5.5V, T<sub>A</sub> = T<sub>MIN</sub> to T<sub>MAX</sub>, unless otherwise noted.) (Note 1)

| PARAMETER                            | SYMBOL                            | CONDITIONS  | MIN   | TYP      | MAX  | UNITS |
|--------------------------------------|-----------------------------------|---|---|----------|------|-------|
| Operating Supply Voltage             | V+                                |   | 2.5   |          | 5.5  | V     |
| Shutdown Supply Current              | I <sub>SHDN</sub>                 | All digital inputs at V+ or GND   | T <sub>A</sub> = +25°C                                | 5.5      | 8    | µA    |
|                                      |                                   |   | T <sub>A</sub> = -40°C to +85°C                       |          | 10   |       |
|                                      |                                   |   | T <sub>A</sub> = T <sub>MIN</sub> to T <sub>MAX</sub> |          | 11   |       |
| Operating Supply Current             | I <sub>GPOH</sub>                 | All ports programmed As outputs high, no load, All other inputs at V+ or GND                            | T <sub>A</sub> = +25°C                                | 180      | 230  | µA    |
|                                      |                                   |   | T <sub>A</sub> = -40°C to +85°C                       |          | 250  |       |
|                                      |                                   |   | T <sub>A</sub> = T <sub>MIN</sub> to T <sub>MAX</sub> |          | 270  |       |
| Operating Supply Current             | I <sub>GPOL</sub>                 | All ports programmed As outputs low, no load, All other inputs at V+ or GND                             | T <sub>A</sub> = +25°C                                | 170      | 210  | µA    |
|                                      |                                   |   | T <sub>A</sub> = -40°C to +85°C                       |          | 230  |       |
|                                      |                                   |   | T <sub>A</sub> = T <sub>MIN</sub> to T <sub>MAX</sub> |          | 240  |       |
| Operating Supply Current             | I <sub>LED</sub>                  | All ports programmed as LED outputs, all LEDs off, no load, all other inputs at V+ or GND               | T <sub>A</sub> = +25°C                                | 110      | 135  | µA    |
|                                      |                                   |   | T <sub>A</sub> = -40°C to +85°C                       |          | 140  |       |
|                                      |                                   |   | T <sub>A</sub> = T <sub>MIN</sub> to T <sub>MAX</sub> |          | 145  |       |
| <b>INPUTS AND OUTPUTS</b>            |                                   |   |   |          |      |       |
| Logic-High Input Voltage Port Inputs | V <sub>IH</sub>                   |   | 0.7 × V+  |          |      | V     |
| Logic-Low Input Voltage Port Inputs  | V <sub>IL</sub>                   |   |   | 0.3 × V+ |      | V     |
| Input Leakage Current                | I <sub>IH</sub> , I <sub>IL</sub> | GPIO inputs without pullup, V <sub>PORT</sub> = V+ to GND   | -100  | ±1       | +100 | nA    |
| GPIO Input Internal Pullup to V+     | I <sub>PU</sub>                   | V+ = 2.5V   | 12  | 19       | 30   | µA    |
|                                      |                                   | V+ = 5.5V   | 80  | 120      | 180  |       |
| Hysteresis Voltage GPIO Inputs       | ΔV <sub>I</sub>                   |   |   | 0.3      |      | V     |
| Output High Voltage                  | V <sub>OH</sub>                   | GPIO outputs, I <sub>SOURCE</sub> = 2mA, T <sub>A</sub> = -40°C to +85°C                                | V+ - 0.7  |          |      | V     |
|                                      |                                   | GPIO outputs, I <sub>SOURCE</sub> = 1mA, T <sub>A</sub> = T <sub>MIN</sub> to T <sub>MAX</sub> (Note 2) | V+ - 0.7  |          |      | V     |

**Electrical Characteristics (continued)**(Typical Operating Circuit,  $V_+ = 2.5V$  to  $5.5V$ ,  $T_A = T_{MIN}$  to  $T_{MAX}$ , unless otherwise noted.) (Note 1)

| PARAMETER   | SYMBOL              | CONDITIONS  | MIN         | TYP  | MAX  | UNITS |
|---|---------------------|---|-------------|------|------|-------|
| Port Sink Current   | $I_{OL}$            | $V_{PORT} = 0.6V$   | 2           | 10   | 18   | mA    |
| Output Short-Circuit Current                                    | $I_{OLSC}$          | Port configured output low, shorted to $V_+$                    | 2.75        | 11   | 20   | mA    |
| Port Drive LED Sink Current,<br>Port Configured as LED Driver   | $I_{PORT}$          | $V_+ = 2.5V$ , $V_{LED} = 2.3V$ at maximum LED current          | 9.5         | 13.5 | 18   | mA    |
|   |                     | $V_+ = 3.3V$ , $V_{LED} = 2.4V$ at maximum LED current (Note 2) | 18.5        | 24   | 27.5 |       |
|   |                     | $V_+ = 5.5V$ , $V_{LED} = 2.4V$ at maximum LED current          | 19          | 25   | 30   |       |
| Port Drive Logic Sink Current,<br>Port Configured as LED Driver | $I_{PORT\_SC}$      | $V_+ = 2.5V$ , $V_{OUT} = 0.6V$ at maximum LED current          | 18.5        | 23   | 28.0 | mA    |
|   |                     | $V_+ = 5.5V$ , $V_{OUT} = 0.6V$ at maximum LED current          | 19          | 24   | 28   |       |
| Port LED Sink Current Matching                                  | $\Delta I_{PORT}$   |   |             | 6    |      | %     |
| Input High-Voltage SCLK, DIN,<br>$\overline{CS}$                | $V_{IH}$            | $V_+ \leq 3.3V$   | 1.6         |      |      | V     |
|   |                     | $V_+ > 3.3V$  | 2           |      |      |       |
| Input Low-Voltage SCLK, DIN, $\overline{CS}$                    | $V_{IL}$            |   |             |      | 0.6  | V     |
| Input Leakage Current SCLK,<br>DIN, $\overline{CS}$             | $I_{IH}$ , $I_{IL}$ |   | -50         |      | +50  | nA    |
| Output High-Voltage DOUT  | $V_{OH}$            | $I_{SOURCE} = 1.6mA$  | $V_+ - 0.5$ |      |      | V     |
| Output Low-Voltage DOUT   | $V_{OL}$            | $I_{SINK} = 1.6mA$  |             |      | 0.4  | V     |

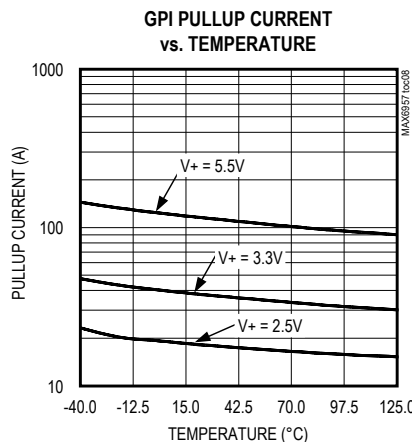
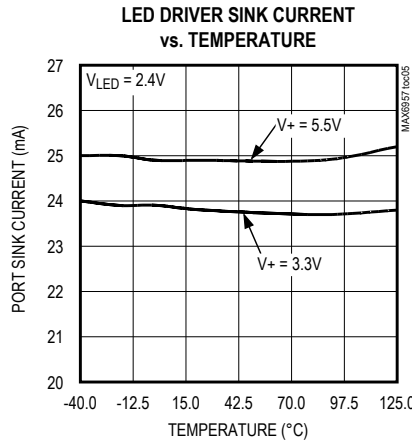
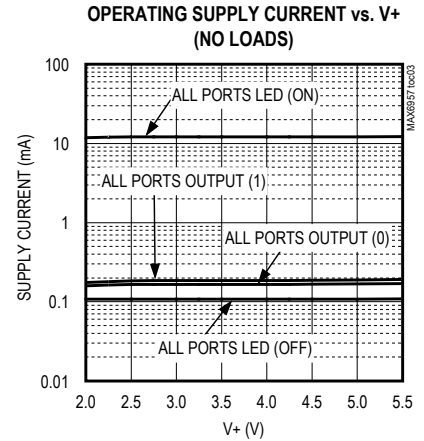
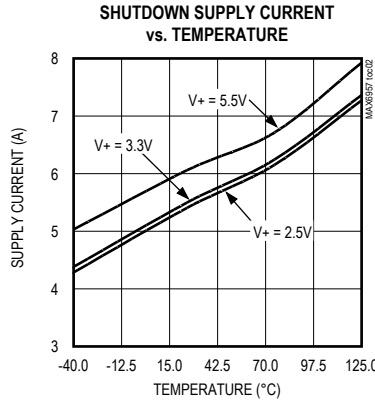
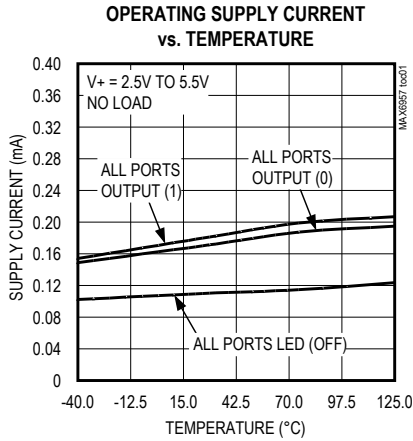
**Timing Characteristics (Figure 3)**3( $V_+ = 2.5V$  to  $5.5V$ ,  $T_A = T_{MIN}$  to  $T_{MAX}$ , unless otherwise noted.) (Note 1)

| PARAMETER                                    | SYMBOL    | CONDITIONS        | MIN  | TYP | MAX | UNITS |
|--|-----------|-------------------|------|-----|-----|-------|
| CLK Clock Period                             | $t_{CP}$  |                   | 38.4 |     |     | ns    |
| CLK Pulse Width High                         | $t_{CH}$  |                   | 19   |     |     | ns    |
| CLK Pulse Width Low                          | $t_{CL}$  |                   | 19   |     |     | ns    |
| $\overline{CS}$ Fall to SCLK Rise Setup Time | $t_{CSS}$ |                   | 9.5  |     |     | ns    |
| CLK Rise to $\overline{CS}$ Rise Hold Time   | $t_{CSH}$ |                   | 0    |     |     | ns    |
| DIN Setup Time                               | $t_{DS}$  |                   | 9.5  |     |     | ns    |
| DIN Hold Time                                | $t_{DH}$  |                   | 0    |     |     | ns    |
| Output Data Propagation Delay                | $t_{DO}$  | $C_{LOAD} = 25pF$ |      |     | 21  | ns    |
| Minimum $\overline{CS}$ Pulse High           | $t_{CSW}$ |                   | 19   |     |     | ns    |

**Note 1:** All parameters tested at  $T_A = +25^\circ C$ . Specifications over temperature are guaranteed by design.**Note 2:** Guaranteed by design.

Typical Operating Characteristics

( $R_{ISET} = 39k\Omega$ ,  $T_A = +25^\circ C$ , unless otherwise noted.)



## Pin Description

| PIN                |         |                          | NAME            | FUNCTION   |
|--------------------|---------|--------------------------|-----------------|--|
| 28 SSOP<br>28 PDIP | 36 SSOP | 40 TQFN                  |                 |  |
| 1                  | 1       | 36                       | ISET            | Segment Current Setting. Connect ISET to GND through a resistor ( $R_{ISET}$ ) to set the maximum segment current.   |
| 2, 3               | 2, 3    | 37, 38,<br>39            | GND             | Ground   |
| 4                  | 4       | 40                       | DOUT            | 4-Wire Serial Data Output Port   |
| 5–24               | —       | —                        | P12–P31         | LED Segment Drivers and GPIO. P12 to P31 can be configured as CA LED drivers, GPIO outputs, CMOS logic inputs, or CMOS logic inputs with weak pullup resistor. |
| —                  | 5–32    | 1–10,<br>12–19,<br>21–30 | P4–P31          | LED Segment Drivers and GPIO. P4 to P31 can be configured as CA LED drivers, GPIO outputs, CMOS logic inputs, or CMOS logic inputs with weak pullup resistor.  |
| 25                 | 33      | 32                       | SCLK            | 4-Wire Serial Clock Input Port   |
| 26                 | 34      | 33                       | DIN             | 4-Wire Serial Data Input Port  |
| 27                 | 35      | 34                       | $\overline{CS}$ | 4-Wire Chip-Select Input, Active-Low   |
| 28                 | 36      | 35                       | V+              | Positive Supply Voltage. Bypass V+ to GND with a minimum 0.047 $\mu$ F capacitor.  |
| —                  | —       | 11, 20,<br>31            | N.C.            | No Connection. Not internally connected.   |
| —                  | —       | EP                       | EP              | Exposed Pad. Internally connected to GND. Connect to large ground plane for maximum thermal dissipation. Do not use as sole ground connection.                 |

## Detailed Description

The MAX6957 LED driver/GPIO peripheral provides up to 28 I/O ports, P4 to P31, controlled through an SPI-compatible serial interface. The ports can be configured to any combination of constant-current LED drivers, logic inputs and logic outputs, and default to logic inputs on power-up. When fully configured as an LED driver, the MAX6957 controls up to 28 LED segments with individual 16-step adjustment of the constant current through each LED segment. A single resistor sets the maximum segment current for all segments, with a maximum of 24mA per segment. The MAX6957 drives any combination of discrete LEDs and CA digits, including seven-segment and starburst alphanumeric types.

Figure 1 is the MAX6957 functional diagram. Any I/O port can be configured as a push-pull output (sinking 10mA, sourcing 4.5mA), or a Schmitt-trigger logic input. Each input has an individually selectable internal pullup resistor. Additionally, transition detection allows seven ports (P24 through P30) to be monitored in any maskable combination for changes in their logic status.

A detected transition is flagged through an interrupt pin (port P31).

The *Typical Operating Circuit* shows two MAX6957s working together controlling three monochrome 16-segment-plus-DP displays, with five ports left available for GPIO (P27–P31 of U2).

The port configuration registers set the 28 ports, P4 to P31, individually as either LED drivers or GPIO. A pair of bits in registers 0x09 through 0x0F sets each port's configuration (Tables 1 and 2).

The 36-pin MAX6957AAX has 28 ports, P4 to P31. The 28-pin MAX6957ANI and MAX6957AAI make only 20 ports available. The eight unused ports should be configured as outputs on power-up by writing 0x55 to registers 0x09 and 0x0A. If this is not done, the eight unused ports remain as floating inputs and quiescent supply current rises, although there is no damage to the part.

**Table 1. Port Configuration Map**

| REGISTER                                  | ADDRESS CODE (HEX) | REGISTER DATA |    |     |    |     |    |     |    |
|---|--------------------|---------------|----|-----|----|-----|----|-----|----|
|   |                    | D7            | D6 | D5  | D4 | D3  | D2 | D1  | D0 |
| Port Configuration for P7, P6, P5, P4     | 0x09               | P7            |    | P6  |    | P5  |    | P4  |    |
| Port Configuration for P11, P10, P9, P8   | 0x0A               | P11           |    | P10 |    | P9  |    | P8  |    |
| Port Configuration for P15, P14, P13, P12 | 0x0B               | P15           |    | P14 |    | P13 |    | P12 |    |
| Port Configuration for P19, P18, P17, P16 | 0x0C               | P19           |    | P18 |    | P17 |    | P16 |    |
| Port Configuration for P23, P22, P21, P20 | 0x0D               | P23           |    | P22 |    | P21 |    | P20 |    |
| Port Configuration for P27, P26, P25, P24 | 0x0E               | P27           |    | P26 |    | P25 |    | P24 |    |
| Port Configuration for P31, P30, P29, P28 | 0x0F               | P31           |    | P30 |    | P29 |    | P28 |    |

**Table 2. Port Configuration Matrix**

| MODE   | FUNCTION                  | PORT REGISTER<br>(0x20–0x5F)<br>(0xA0–0xDF) | PIN BEHAVIOR   | ADDRESS CODE (HEX) | PORT CONFIGURATION BIT PAIR |       |
|--------|---------------------------|---|--|--------------------|-----------------------------|-------|
|        |                           |   |  |                    | UPPER                       | LOWER |
| Output | LED Segment Driver        | Register bit = 0                            | High impedance   | 0x09 to 0x0F       | 0                           | 0     |
|        |                           | Register bit = 1                            | Open-drain current sink, with sink current (up to 24mA) determined by the appropriate current register |                    |                             |       |
| Output | GPIO Output               | Register bit = 0                            | Active-low logic output  | 0x09 to 0x0F       | 0                           | 1     |
|        |                           |   | Active-high logic output   |                    |                             |       |
| Input  | GPIO Input Without Pullup | Register bit = input logic level            | Schmitt logic input  | 0x09 to 0x0F       | 1                           | 0     |
| Input  | GPIO Input with Pullup    |   | Schmitt logic input with pullup  | 0x09 to 0x0F       | 1                           | 1     |

**Note:** The logic is inverted between the two output modes; a high makes the output go low in LED segment driver mode (0x00) to turn that segment on; in GPIO output mode (0x01), a high makes the output go high.

### Register Control of I/O Ports and LEDs Across Multiple Drivers

The MAX6957 offers 20 or 28 I/O ports, depending on package choice. These can be applied to a variety of combinations of different display types, for example: seven, 7-segment digits (Figure 2). This example requires two MAX6957s, with one digit being driven by both devices, half by one MAX6957, half by the other (digit 4 in this example). The two drivers are static, and therefore do not need to be synchronized. The MAX6957 sees CA digits as multiple discrete LEDs. To simplify access to displays that overlap two MAX6957s, the MAX6957 provides four virtual ports P0 through P3. To update an overlapping digit, send the same code twice as an eight-port write, once to P28 through P35 of the first driver, and again to P0 through P7 of the sec-

ond driver. The first driver ignores the last 4 bits and the second driver ignores the first 4 bits.

Two addressing methods are available. Any single port (bit) can be written (set/cleared) at once; or, any sequence of eight ports can be written (set/cleared) in any combination at once. There are no boundaries; it is equally acceptable to write P0 through P7, P1 through P8, or P31 through P38 (P32 through P38 are non-existent, so the instructions to these bits are ignored).

Using 8-bit control, a seven-segment digit with a decimal point can be updated in a single byte-write, a 14-segment digit with DP can be updated in two byte-writes, and 16-segment digits with DP can be updated in two byte-writes plus a bit write. Also, discrete LEDs and GPIO port bits can be lit and controlled individually without affecting other ports.

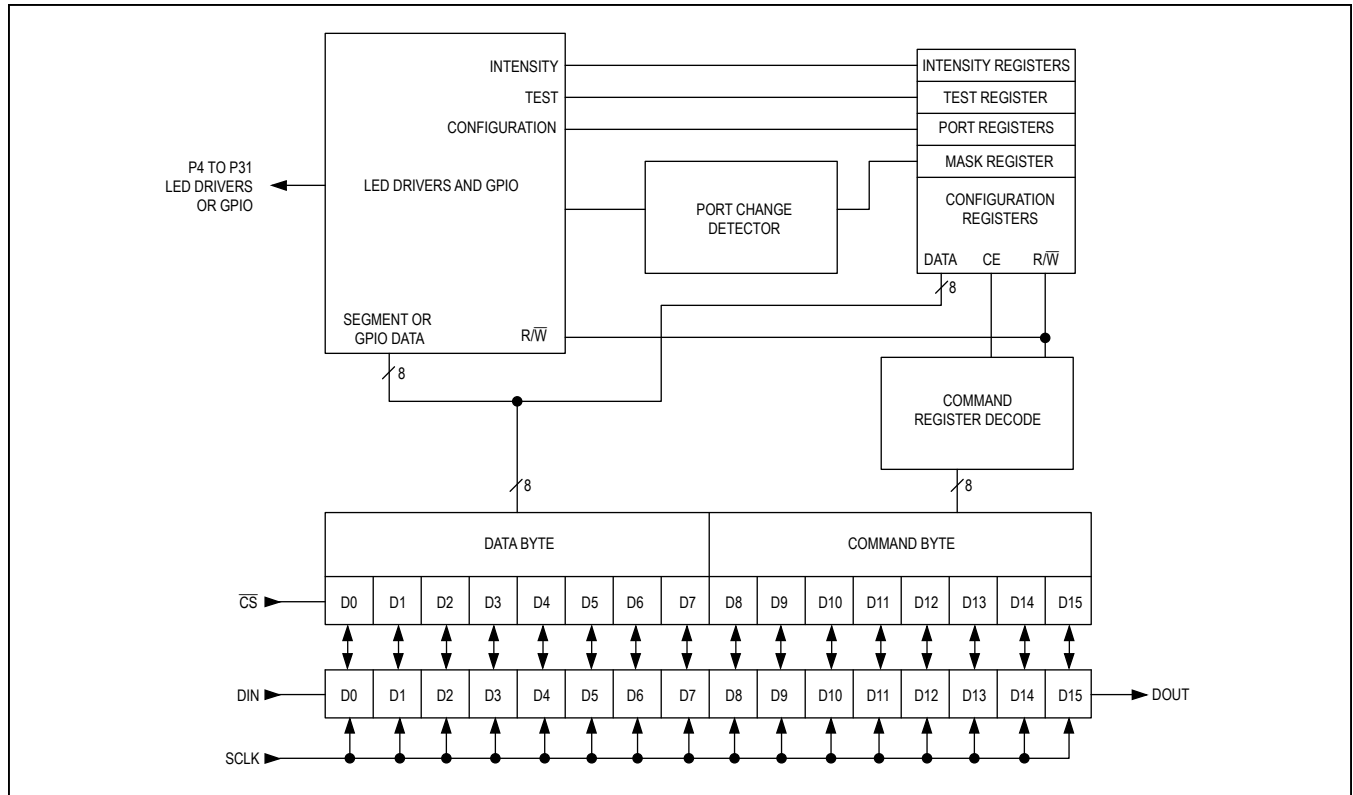


Figure 1. MAX6957 Functional Diagram

**Shutdown**

When the MAX6957 is in shutdown mode, all ports are forced to inputs, and the pullup current sources are turned off. Data in the port and control registers remain unaltered so port configuration and output levels are restored when the MAX6957 is taken out of shutdown. The display driver can still be programmed while in shutdown mode. For minimum supply current in shutdown mode, logic inputs should be at GND or V+ potential. Shutdown mode is exited by setting the S bit in the configuration register (Table 6). Shutdown mode is temporarily overridden by the display test function.

**Serial Interface**

The MAX6957 communicates through an SPI-compatible 4-wire serial interface. The interface has three inputs, Clock (SCLK), Chip Select ( $\overline{CS}$ ), and Data In (DIN), and one output, Data Out (DOUT).  $\overline{CS}$  must be

low to clock data into or out of the device, and DIN must be stable when sampled on the rising edge of SCLK. DOUT provides a copy of the bit that was input 15.5 clocks earlier, or upon a query it outputs internal register data, and is stable on the rising edge of SCLK. **Note that the SPI protocol expects DOUT to be high impedance when the MAX6957 is not being accessed; DOUT on the MAX6957 is never high impedance. Go to [www.maximintegrated.com/an1879](http://www.maximintegrated.com/an1879) for ways to convert DOUT to tri-state, if required.**

SCLK and DIN may be used to transmit data to other peripherals, so the MAX6957 ignores all activity on SCLK and DIN except between the fall and subsequent rise of CS.



Figure 2. Two MAX6957s Controlling Seven 7-Segment Displays

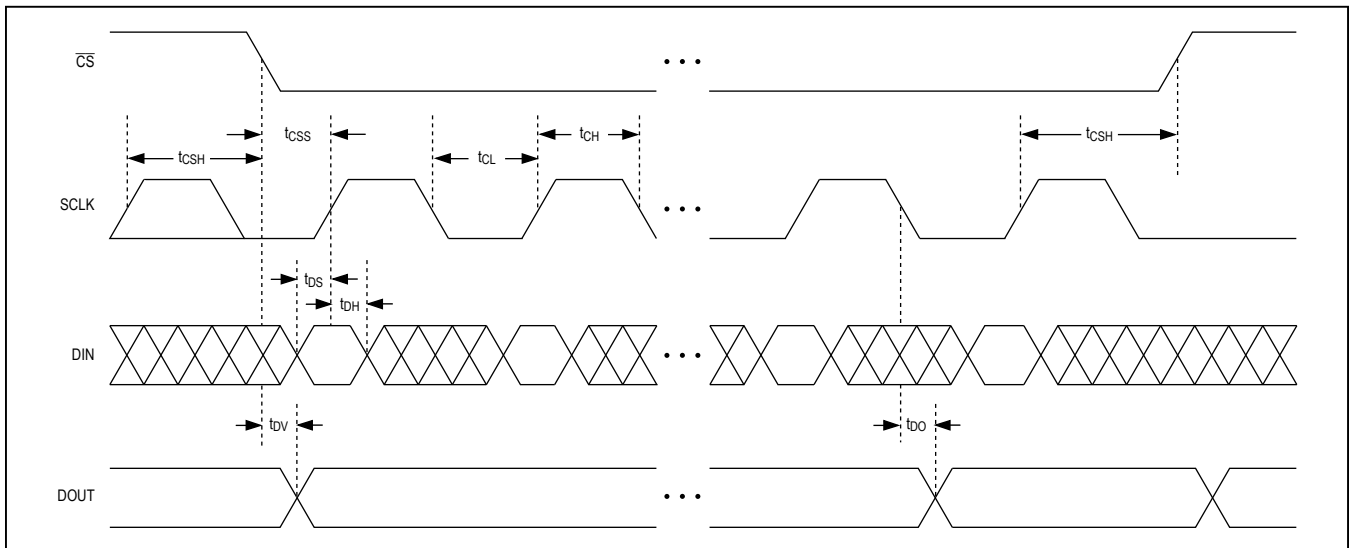


Figure 3. 4-Wire Interface Timing





Figure 4. Daisy-Chain Arrangement for Controlling Multiple MAX6957s



Figure 5. 16-Bit Write Transmission to the MAX6957

### Control and Operation Using the 4-Wire Interface

Controlling the MAX6957 requires sending a 16-bit word. The first byte, D15 through D8, is the command address (Table 3), and the second byte, D7 through D0, is the data byte (Table 4).

#### Connecting Multiple MAX6957s to the 4-Wire Bus

Multiple MAX6957s may be daisy-chained by connecting the DOUT of one device to the DIN of the next, and driving SCLK and  $\overline{CS}$  lines in parallel (Figure 4). Data at DIN propagates through the internal shift registers and appears at DOUT 15.5 clock cycles later, clocked out on the falling edge of SCLK. When sending commands to multiple MAX6957s, all devices are accessed at the same time. An access requires  $(16 \times n)$  clock cycles, where  $n$  is the number of MAX6957s connected together. To update just one device in a daisy-chain, the user can send the No-Op command (0x00) to the others.

#### Writing Device Registers

The MAX6957 contains a 16-bit shift register into which DIN data are clocked on the rising edge of SCLK, when  $\overline{CS}$  is low. When  $\overline{CS}$  is high, transitions on SCLK have no effect. When  $\overline{CS}$  goes high, the 16 bits in the Shift register are parallel loaded into a 16-bit latch. The 16 bits in the latch are then decoded and executed.

The MAX6957 is written to using the following sequence:

- 1) Take SCLK low.
- 2) Take  $\overline{CS}$  low. This enables the internal 16-bit shift register.
- 3) Clock 16 bits of data into DIN—D15 first, D0 last—observing the setup and hold times (bit D15 is low, indicating a write command).
- 4) Take  $\overline{CS}$  high (either while SCLK is still high after clocking in the last data bit, or after taking SCLK low).
- 5) Take SCLK low (if not already low).

Figure 5 shows a write operation when 16 bits are transmitted.

It is acceptable to clock more than 16 bits into the MAX6957 between taking CS low and taking CS high again. In this case, only the last 16 bits clocked into the MAX6957 are retained.

### Reading Device Registers

Any register data within the MAX6957 may be read by sending a logic high to bit D15. The sequence is:

- 1) Take SCLK low.
- 2) Take  $\overline{CS}$  low (this enables the internal 16-bit shift register).
- 3) Clock 16 bits of data into DIN—D15 first to D0 last. D15 is high, indicating a read command and bits D14 through D8 containing the address of the register to be read. Bits D7–D0 contain dummy data, which is discarded.
- 4) Take  $\overline{CS}$  high (either while SCLK is still high after clocking in the last data bit, or after taking SCLK low), positions D7 through D0 in the Shift register are now loaded with the register data addressed by bits D1 through D8.
- 5) Take SCLK low (if not already low).
- 6) Issue another read or write command (which can be a No-Op), and examine the bit stream at DOUT; the second 8 bits are the contents of the register addressed by bits D1 through D8 in step 3.

### Initial Power-Up

On initial power-up, all control registers are reset, current registers are set to minimum value, and the MAX6957 enters shutdown mode (Table 4).

### LED Current Control

LED segment drive current can be set either globally or individually. Global control simplifies the operation when all LEDs are set to the same current level, because writing one register, the Global Current register, sets the current for all ports configured as LED segment drivers. It is also possible to individually control the current drive of each LED segment driver. Individual/global brightness control is selected by setting the configuration register I bit (Table 7). The global current register (0x02) data are then ignored, and segment currents are set using register addresses 0x12 through 0x1F (Tables 10, 11, and 12). Each segment is controlled by a nibble of one of the 16 current registers.

### Transition (Port Data Change) Detection

Port transition detection allows any combination of the seven ports P24–P30 to be continuously monitored for changes in their logic status (Figure 6). A detected change is flagged on port P31, which is used as an

active-high interrupt output (INT). Note that the MAX6957 does not identify which specific port(s) caused the interrupt, but provides an alert that one or more port levels have changed.

The mask register contains 7 mask bits that select which of the seven ports P24–P30 are to be monitored (Table 13). Set the appropriate mask bit to enable that port for transition detect. Clear the mask bit if transitions on that port are to be ignored. Transition detection works regardless of whether the port being monitored is set to input or output, but generally it is not particularly useful to enable transition detection for outputs.

Port P31 must be configured as an output in order to work as the interrupt output INT when transition detection is used. Port P31 is set as output by writing bit D7 = 0 and bit D6 = 1 to the port configuration register (Table 1).

To use transition detection, first set up the mask register and configure port P31 as an output, as described above. Then enable transition detection by setting the M bit in the configuration register (Table 8). Whenever the configuration register is written with the M bit set, the MAX6957 updates an internal 7-bit snapshot register, which holds the comparison copy of the logic states of ports P24 through P30. The update action occurs regardless of the previous state of the M bit, so that it is not necessary to clear the M bit and then set it again to update the snapshot register.

When the configuration register is written with the M bit set, transition detection is enabled and remains enabled until either the configuration register is written with the M bit clear, or a transition is detected. The INT output port P31 goes low, if it was not already low.

Once transition detection is enabled, the MAX6957 continuously compares the snapshot register against the changing states of P24 through P31. If a change on any of the monitored ports is detected, even for a short time (like a pulse), INT output port P31 is latched high. The INT output is not cleared if more changes occur or if the data pattern returns to its original snapshot condition. The only way to clear INT is to access (read or write) the transition detection mask register (Table 13).

Transition detection is a one-shot event. When INT has been cleared after responding to a transition event, transition detection is automatically disabled, even though the M bit in the configuration register remains set (unless cleared by the user). Reenable transition detection by writing the configuration register with the M bit set to take a new snapshot of the seven ports, P24 to P30.

**Table 3. Register Address Map**

| REGISTER                                    | COMMAND ADDRESS |     |     |     |     |     |    |    | HEX CODE |
|---|-----------------|-----|-----|-----|-----|-----|----|----|----------|
|   | D15             | D14 | D13 | D12 | D11 | D10 | D9 | D8 |          |
| No-Op                                       | R/W             | 0   | 0   | 0   | 0   | 0   | 0  | 0  | 0x00     |
| Global Current                              | R/W             | 0   | 0   | 0   | 0   | 0   | 1  | 0  | 0x02     |
| Configuration                               | R/W             | 0   | 0   | 0   | 0   | 1   | 0  | 0  | 0x04     |
| Transition Detect Mask                      | R/W             | 0   | 0   | 0   | 0   | 1   | 1  | 0  | 0x06     |
| Display Test                                | R/W             | 0   | 0   | 0   | 0   | 1   | 1  | 1  | 0x07     |
| Port Configuration P7, P6, P5, P4           | R/W             | 0   | 0   | 0   | 1   | 0   | 0  | 1  | 0x09     |
| Port Configuration P11, P10, P9, P8         | R/W             | 0   | 0   | 0   | 1   | 0   | 1  | 0  | 0x0A     |
| Port Configuration P15, P14, P13, P12       | R/W             | 0   | 0   | 0   | 1   | 0   | 1  | 1  | 0x0B     |
| Port Configuration P19, P18, P17, P16       | R/W             | 0   | 0   | 0   | 1   | 1   | 0  | 0  | 0x0C     |
| Port Configuration P23, P22, P21, P20       | R/W             | 0   | 0   | 0   | 1   | 1   | 0  | 1  | 0x0D     |
| Port Configuration P27, P26, P25, P24       | R/W             | 0   | 0   | 0   | 1   | 1   | 1  | 0  | 0x0E     |
| Port Configuration P31, P30, P29, P28       | R/W             | 0   | 0   | 0   | 1   | 1   | 1  | 1  | 0x0F     |
| Current054                                  | R/W             | 0   | 0   | 1   | 0   | 0   | 1  | 0  | 0x12     |
| Current076                                  | R/W             | 0   | 0   | 1   | 0   | 0   | 1  | 1  | 0x13     |
| Current098                                  | R/W             | 0   | 0   | 1   | 0   | 1   | 0  | 0  | 0x14     |
| Current0BA                                  | R/W             | 0   | 0   | 1   | 0   | 1   | 0  | 1  | 0x15     |
| Current0DC                                  | R/W             | 0   | 0   | 1   | 0   | 1   | 1  | 0  | 0x16     |
| Current0FE                                  | R/W             | 0   | 0   | 1   | 0   | 1   | 1  | 1  | 0x17     |
| Current110                                  | R/W             | 0   | 0   | 1   | 1   | 0   | 0  | 0  | 0x18     |
| Current132                                  | R/W             | 0   | 0   | 1   | 1   | 0   | 0  | 1  | 0x19     |
| Current154                                  | R/W             | 0   | 0   | 1   | 1   | 0   | 1  | 0  | 0x1A     |
| Current176                                  | R/W             | 0   | 0   | 1   | 1   | 0   | 1  | 1  | 0x1B     |
| Current198                                  | R/W             | 0   | 0   | 1   | 1   | 1   | 0  | 0  | 0x1C     |
| Current1BA                                  | R/W             | 0   | 0   | 1   | 1   | 1   | 0  | 1  | 0x1D     |
| Current1DC                                  | R/W             | 0   | 0   | 1   | 1   | 1   | 1  | 0  | 0x1E     |
| Current1FE                                  | R/W             | 0   | 0   | 1   | 1   | 1   | 1  | 1  | 0x1F     |
| Port 0 only (virtual port, no action)       | R/W             | 0   | 1   | 0   | 0   | 0   | 0  | 0  | 0x20     |
| Port 1 only (virtual port, no action)       | R/W             | 0   | 1   | 0   | 0   | 0   | 0  | 1  | 0x21     |
| Port 2 only (virtual port, no action)       | R/W             | 0   | 1   | 0   | 0   | 0   | 1  | 0  | 0x22     |
| Port 3 only (virtual port, no action)       | R/W             | 0   | 1   | 0   | 0   | 0   | 1  | 1  | 0x23     |
| Port 4 only (data bit D0. D7–D1 read as 0)  | R/W             | 0   | 1   | 0   | 0   | 1   | 0  | 0  | 0x24     |
| Port 5 only (data bit D0. D7–D1 read as 0)  | R/W             | 0   | 1   | 0   | 0   | 1   | 0  | 1  | 0x25     |
| Port 6 only (data bit D0. D7–D1 read as 0)  | R/W             | 0   | 1   | 0   | 0   | 1   | 1  | 0  | 0x26     |
| Port 7 only (data bit D0. D7–D1 read as 0)  | R/W             | 0   | 1   | 0   | 0   | 1   | 1  | 1  | 0x27     |
| Port 8 only (data bit D0. D7–D1 read as 0)  | R/W             | 0   | 1   | 0   | 1   | 0   | 0  | 0  | 0x28     |
| Port 9 only (data bit D0. D7–D1 read as 0)  | R/W             | 0   | 1   | 0   | 1   | 0   | 0  | 1  | 0x29     |
| Port 10 only (data bit D0. D7–D1 read as 0) | R/W             | 0   | 1   | 0   | 1   | 0   | 1  | 0  | 0x2A     |

Table 3. Register Address Map (continued)

| REGISTER  | COMMAND ADDRESS |     |     |     |     |     |    |    | HEX CODE |
|---|-----------------|-----|-----|-----|-----|-----|----|----|----------|
|   | D15             | D14 | D13 | D12 | D11 | D10 | D9 | D8 |          |
| Port 11 only (data bit D0. D7–D1 read as 0)     | R/W             | 0   | 1   | 0   | 1   | 0   | 1  | 1  | 0x2B     |
| Port 12 only (data bit D0. D7–D1 read as 0)     | R/W             | 0   | 1   | 0   | 1   | 1   | 0  | 0  | 0x2C     |
| Port 13 only (data bit D0. D7–D1 read as 0)     | R/W             | 0   | 1   | 0   | 1   | 1   | 0  | 1  | 0x2D     |
| Port 14 only (data bit D0. D7–D1 read as 0)     | R/W             | 0   | 1   | 0   | 1   | 1   | 1  | 0  | 0x2E     |
| Port 15 only (data bit D0. D7–D1 read as 0)     | R/W             | 0   | 1   | 0   | 1   | 1   | 1  | 1  | 0x2F     |
| Port 16 only (data bit D0. D7–D1 read as 0)     | R/W             | 0   | 1   | 1   | 0   | 0   | 0  | 0  | 0x30     |
| Port 17 only (data bit D0. D7–D1 read as 0)     | R/W             | 0   | 1   | 1   | 0   | 0   | 0  | 1  | 0x31     |
| Port 18 only (data bit D0. D7–D1 read as 0)     | R/W             | 0   | 1   | 1   | 0   | 0   | 1  | 0  | 0x32     |
| Port 19 only (data bit D0. D7–D1 read as 0)     | R/W             | 0   | 1   | 1   | 0   | 0   | 1  | 1  | 0x33     |
| Port 20 only (data bit D0. D7–D1 read as 0)     | R/W             | 0   | 1   | 1   | 0   | 1   | 0  | 0  | 0x34     |
| Port 21 only (data bit D0. D7–D1 read as 0)     | R/W             | 0   | 1   | 1   | 0   | 1   | 0  | 1  | 0x35     |
| Port 22 only (data bit D0. D7–D1 read as 0)     | R/W             | 0   | 1   | 1   | 0   | 1   | 1  | 0  | 0x36     |
| Port 23 only (data bit D0. D7–D1 read as 0)     | R/W             | 0   | 1   | 1   | 0   | 1   | 1  | 1  | 0x37     |
| Port 24 only (data bit D0. D7–D1 read as 0)     | R/W             | 0   | 1   | 1   | 1   | 0   | 0  | 0  | 0x38     |
| Port 25 only (data bit D0. D7–D1 read as 0)     | R/W             | 0   | 1   | 1   | 1   | 0   | 0  | 1  | 0x39     |
| Port 26 only (data bit D0. D7–D1 read as 0)     | R/W             | 0   | 1   | 1   | 1   | 0   | 1  | 0  | 0x3A     |
| Port 27 only (data bit D0. D7–D1 read as 0)     | R/W             | 0   | 1   | 1   | 1   | 0   | 1  | 1  | 0x3B     |
| Port 28 only (data bit D0. D7–D1 read as 0)     | R/W             | 0   | 1   | 1   | 1   | 1   | 0  | 0  | 0x3C     |
| Port 29 only (data bit D0. D7–D1 read as 0)     | R/W             | 0   | 1   | 1   | 1   | 1   | 0  | 1  | 0x3D     |
| Port 30 only (data bit D0. D7–D1 read as 0)     | R/W             | 0   | 1   | 1   | 1   | 1   | 1  | 0  | 0x3E     |
| Port 31 only (data bit D0. D7–D1 read as 0)     | R/W             | 0   | 1   | 1   | 1   | 1   | 1  | 1  | 0x3F     |
| 4 ports 4–7 (data bits D0–D3. D4–D7 read as 0)) | R/W             | 1   | 0   | 0   | 0   | 0   | 0  | 0  | 0x40     |
| 5 ports 4–8 (data bits D0–D4. D5–D7 read as 0)  | R/W             | 1   | 0   | 0   | 0   | 0   | 0  | 1  | 0x41     |
| 6 ports 4–9 (data bits D0–D5. D6–D7 read as 0)  | R/W             | 1   | 0   | 0   | 0   | 0   | 1  | 0  | 0x42     |
| 7 ports 4–10 (data bits D0–D6. D7 reads as 0)   | R/W             | 1   | 0   | 0   | 0   | 0   | 1  | 1  | 0x43     |
| 8 ports 4–11 (data bits D0–D7)                  | R/W             | 1   | 0   | 0   | 0   | 1   | 0  | 0  | 0x44     |
| 8 ports 5–12 (data bits D0–D7)                  | R/W             | 1   | 0   | 0   | 0   | 1   | 0  | 1  | 0x45     |
| 8 ports 6–13 (data bits D0–D7)                  | R/W             | 1   | 0   | 0   | 0   | 1   | 1  | 0  | 0x46     |
| 8 ports 7–14 (data bits D0–D7)                  | R/W             | 1   | 0   | 0   | 0   | 1   | 1  | 1  | 0x47     |
| 8 ports 8–15 (data bits D0–D7)                  | R/W             | 1   | 0   | 0   | 1   | 0   | 0  | 0  | 0x48     |
| 8 ports 9–16 (data bits D0–D7)                  | R/W             | 1   | 0   | 0   | 1   | 0   | 0  | 1  | 0x49     |
| 8 ports 10–17 (data bits D0–D7)                 | R/W             | 1   | 0   | 0   | 1   | 0   | 1  | 0  | 0x4A     |
| 8 ports 11–18 (data bits D0–D7)                 | R/W             | 1   | 0   | 0   | 1   | 0   | 1  | 1  | 0x4B     |
| 8 ports 12–19 (data bits D0–D7)                 | R/W             | 1   | 0   | 0   | 1   | 1   | 0  | 0  | 0x4C     |
| 8 ports 13–20 (data bits D0–D7)                 | R/W             | 1   | 0   | 0   | 1   | 1   | 0  | 1  | 0x4D     |
| 8 ports 14–21 (data bits D0–D7)                 | R/W             | 1   | 0   | 0   | 1   | 1   | 1  | 0  | 0x4E     |
| 8 ports 15–22 (data bits D0–D7)                 | R/W             | 1   | 0   | 0   | 1   | 1   | 1  | 1  | 0x4F     |

**Table 3. Register Address Map (continued)**

| REGISTER  | COMMAND ADDRESS |     |     |     |     |     |    |    | HEX CODE |
|---|-----------------|-----|-----|-----|-----|-----|----|----|----------|
|   | D15             | D14 | D13 | D12 | D11 | D10 | D9 | D8 |          |
| 8 ports 16–23 (data bits D0–D7)                   | R/W             | 1   | 0   | 1   | 0   | 0   | 0  | 0  | 0x50     |
| 8 ports 17–24 (data bits D0–D7)                   | R/W             | 1   | 0   | 1   | 0   | 0   | 0  | 1  | 0x51     |
| 8 ports 18–25 (data bits D0–D7)                   | R/W             | 1   | 0   | 1   | 0   | 0   | 1  | 0  | 0x52     |
| 8 ports 19–26 (data bits D0–D7)                   | R/W             | 1   | 0   | 1   | 0   | 0   | 1  | 1  | 0x53     |
| 8 ports 20–27 (data bits D0–D7)                   | R/W             | 1   | 0   | 1   | 0   | 1   | 0  | 0  | 0x54     |
| 8 ports 21–28 (data bits D0–D7)                   | R/W             | 1   | 0   | 1   | 0   | 1   | 0  | 1  | 0x55     |
| 8 ports 22–29 (data bits D0–D7)                   | R/W             | 1   | 0   | 1   | 0   | 1   | 1  | 0  | 0x56     |
| 8 ports 23–30 (data bits D0–D7)                   | R/W             | 1   | 0   | 1   | 0   | 1   | 1  | 1  | 0x57     |
| 8 ports 24–31 (data bits D0–D7)                   | R/W             | 1   | 0   | 1   | 1   | 0   | 0  | 0  | 0x58     |
| 7 ports 25–31 (data bits D0–D6. D7 reads as 0)    | R/W             | 1   | 0   | 1   | 1   | 0   | 0  | 1  | 0x59     |
| 6 ports 26–31 (data bits D0–D5. D6, D7 read as 0) | R/W             | 1   | 0   | 1   | 1   | 0   | 1  | 0  | 0x5A     |
| 5 ports 27–31 (data bits D0–D4. D5–D7 read as 0)  | R/W             | 1   | 0   | 1   | 1   | 0   | 1  | 1  | 0x5B     |
| 4 ports 28–31 (data bits D0–D3. D4–D7 read as 0)  | R/W             | 1   | 0   | 1   | 1   | 1   | 0  | 0  | 0x5C     |
| 3 ports 29–31 (data bits D0–D2. D3–D7 read as 0)  | R/W             | 1   | 0   | 1   | 1   | 1   | 0  | 1  | 0x5D     |
| 2 ports 30–31 (data bits D0–D1. D2–D7 read as 0)  | R/W             | 1   | 0   | 1   | 1   | 1   | 1  | 0  | 0x5E     |
| 1 port 31 only (data bit D0. D1–D7 read as 0)     | R/W             | 1   | 0   | 1   | 1   | 1   | 1  | 1  | 0x5F     |

**Note:** Unused bits read as 0.

## Display Test Register

Display test mode turns on all ports configured as LED drivers by overriding, but not altering, all controls and port registers, except the port configuration register (Table 14). Only ports configured as LED drivers are affected. Ports configured as GPIO push-pull outputs do not change state. In display test mode, each port's current is temporarily set to 1/2 the maximum current limit as controlled by  $R_{ISET}$ .

### Selecting External Component $R_{ISET}$ to Set Maximum Segment Current

The MAX6957 uses an external resistor  $R_{ISET}$  to set the maximum segment current. The recommended value, 39k $\Omega$ , sets the maximum current to 24mA, which makes the segment current adjustable from 1.5mA to 24mA in 1.5mA steps.

To set a different segment current, use the formula:

$$R_{ISET} = 936k\Omega / I_{SEG}$$

where  $I_{SEG}$  is the desired maximum segment current in mA.

The recommended value of  $R_{ISET}$  is 39k $\Omega$ .

The recommended value of  $R_{ISET}$  is the minimum allowed value, since it sets the display driver to the maximum allowed segment current.  $R_{ISET}$  can be a higher value to set the segment current to a lower maximum value where desired. The user must also ensure that the maximum current specifications of the LEDs connected to the driver are not exceeded.

The drive current for each segment can be controlled through programming either the global current register (Table 9) or individual segment current registers (Tables 10, 11, and 12), according to the setting of the current control bit of the configuration register (Table 7). These registers select the LED's constant-current drive from 16 equal fractions of the maximum segment current. The current difference between successive current steps,  $I_{STEP}$ , is therefore determined by the formula:

$$I_{STEP} = I_{SEG} / 16$$

If  $I_{SEG} = 24mA$ , then  $I_{STEP} = 24mA / 16 = 1.5mA$ .

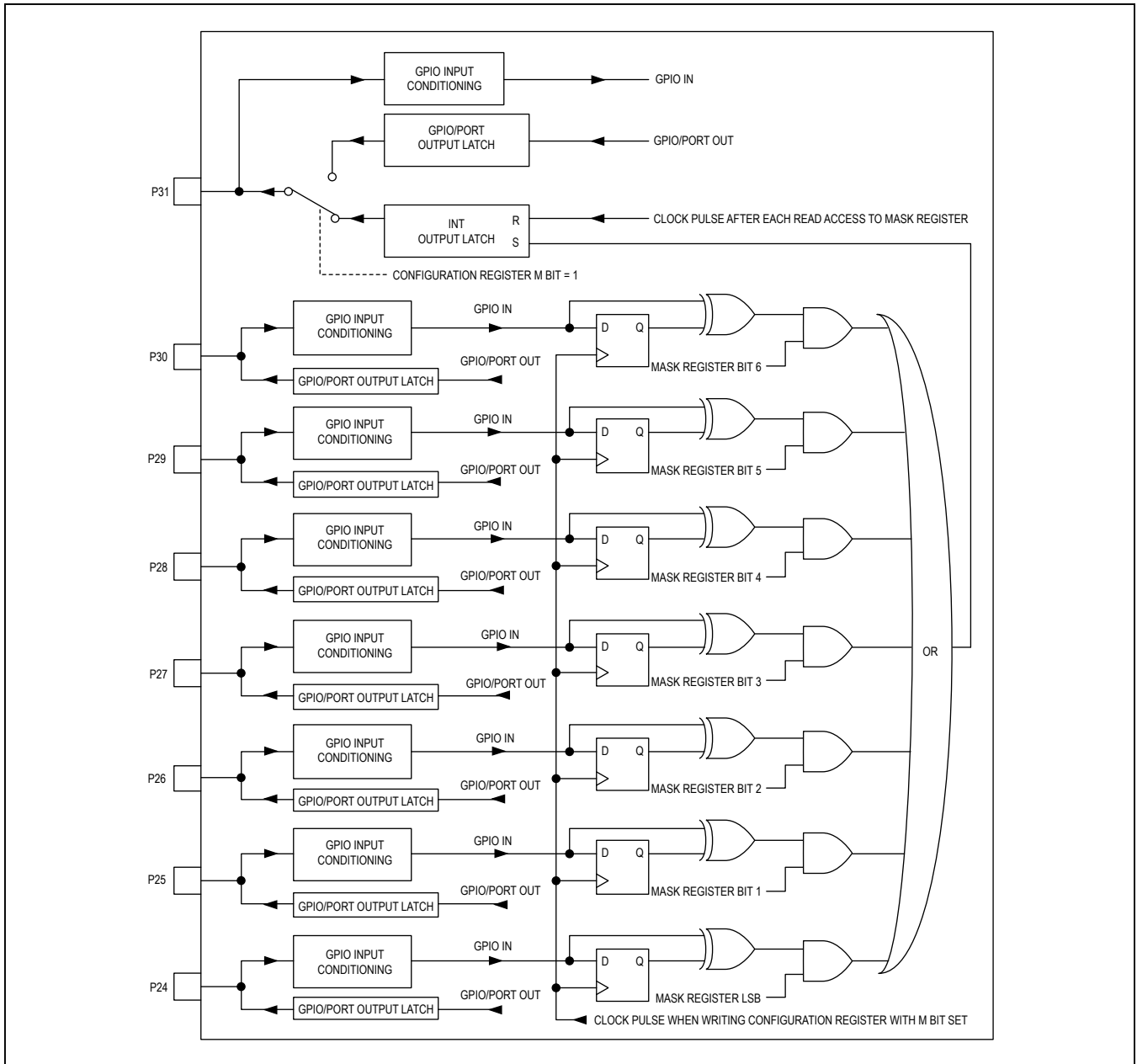


Figure 6. Maskable GPIO Ports P24 Through P31

Table 4. Power-Up Configuration

| REGISTER FUNCTION          | POWER-UP CONDITION  | ADDRESS CODE (HEX) | REGISTER DATA |    |    |    |    |    |    |    |
|----------------------------|---|--------------------|---------------|----|----|----|----|----|----|----|
|                            |   |                    | D7            | D6 | D5 | D4 | D3 | D2 | D1 | D0 |
| Port Register Bits 4 to 31 | LED Off; GPIO Output Low  | 0x24 to 0x3F       | X             | X  | X  | X  | X  | X  | X  | 0  |
| Global Current             | 1/16 (minimum on)   | 0x02               | X             | X  | X  | X  | 0  | 0  | 0  | 0  |
| Configuration Register     | Shutdown Enabled<br>Current Control = Global<br>Transition Detection Disabled | 0x04               | 0             | 0  | X  | X  | X  | X  | X  | 0  |
| Input Mask Register        | All Clear (Masked Off)  | 0x06               | X             | 0  | 0  | 0  | 0  | 0  | 0  | 0  |
| Display Test               | Normal Operation  | 0x07               | X             | X  | X  | X  | X  | X  | X  | 0  |
| Port Configuration         | P7, P6, P5, P4: GPIO Inputs Without Pullup                                    | 0x09               | 1             | 0  | 1  | 0  | 1  | 0  | 1  | 0  |
| Port Configuration         | P11, P10, P9, P8: GPIO Inputs Without Pullup                                  | 0x0A               | 1             | 0  | 1  | 0  | 1  | 0  | 1  | 0  |
| Port Configuration         | P15, P14, P13, P12: GPIO Inputs Without Pullup                                | 0x0B               | 1             | 0  | 1  | 0  | 1  | 0  | 1  | 0  |
| Port Configuration         | P19, P18, P17, P16: GPIO Inputs Without Pullup                                | 0x0C               | 1             | 0  | 1  | 0  | 1  | 0  | 1  | 0  |
| Port Configuration         | P23, P22, P21, P20: GPIO Inputs Without Pullup                                | 0x0D               | 1             | 0  | 1  | 0  | 1  | 0  | 1  | 0  |
| Port Configuration         | P27, P26, P25, P24: GPIO Inputs Without Pullup                                | 0x0E               | 1             | 0  | 1  | 0  | 1  | 0  | 1  | 0  |
| Port Configuration         | P31, P30, P29, P28: GPIO Inputs Without Pullup                                | 0x0F               | 1             | 0  | 1  | 0  | 1  | 0  | 1  | 0  |
| Current054                 | 1/16 (minimum on)   | 0x12               | 0             | 0  | 0  | 0  | 0  | 0  | 0  | 0  |
| Current076                 | 1/16 (minimum on)   | 0x13               | 0             | 0  | 0  | 0  | 0  | 0  | 0  | 0  |
| Current098                 | 1/16 (minimum on)   | 0x14               | 0             | 0  | 0  | 0  | 0  | 0  | 0  | 0  |
| Current0BA                 | 1/16 (minimum on)   | 0x15               | 0             | 0  | 0  | 0  | 0  | 0  | 0  | 0  |
| Current0DC                 | 1/16 (minimum on)   | 0x16               | 0             | 0  | 0  | 0  | 0  | 0  | 0  | 0  |
| Current0FE                 | 1/16 (minimum on)   | 0x17               | 0             | 0  | 0  | 0  | 0  | 0  | 0  | 0  |
| Current110                 | 1/16 (minimum on)   | 0x18               | 0             | 0  | 0  | 0  | 0  | 0  | 0  | 0  |
| Current132                 | 1/16 (minimum on)   | 0x19               | 0             | 0  | 0  | 0  | 0  | 0  | 0  | 0  |
| Current154                 | 1/16 (minimum on)   | 0x1A               | 0             | 0  | 0  | 0  | 0  | 0  | 0  | 0  |
| Current176                 | 1/16 (minimum on)   | 0x1B               | 0             | 0  | 0  | 0  | 0  | 0  | 0  | 0  |
| Current198                 | 1/16 (minimum on)   | 0x1C               | 0             | 0  | 0  | 0  | 0  | 0  | 0  | 0  |
| Current1BA                 | 1/16 (minimum on)   | 0x1D               | 0             | 0  | 0  | 0  | 0  | 0  | 0  | 0  |
| Current1DC                 | 1/16 (minimum on)   | 0x1E               | 0             | 0  | 0  | 0  | 0  | 0  | 0  | 0  |
| Current1FE                 | 1/16 (minimum on)   | 0x1F               | 0             | 0  | 0  | 0  | 0  | 0  | 0  | 0  |

X = unused bits; if read, zero results.

**Table 5. Configuration Register Format**

| FUNCTION               | ADDRESS CODE<br>(HEX) | REGISTER DATA |    |    |    |    |    |    |    |
|------------------------|-----------------------|---------------|----|----|----|----|----|----|----|
|                        |                       | D7            | D6 | D5 | D4 | D3 | D2 | D1 | D0 |
| Configuration Register | 0x04                  | M             | 0  | X  | X  | X  | X  | X  | S  |

X = Don't care bit.

**Table 6. Shutdown Control (S Data Bit D0) Format**

| FUNCTION         | ADDRESS CODE<br>(HEX) | REGISTER DATA |    |    |    |    |    |    |    |
|------------------|-----------------------|---------------|----|----|----|----|----|----|----|
|                  |                       | D7            | D6 | D5 | D4 | D3 | D2 | D1 | D0 |
| Shutdown         | 0x04                  | M             | I  | X  | X  | X  | X  | X  | 0  |
| Normal Operation | 0x04                  | M             | I  | X  | X  | X  | X  | X  | 1  |

X = Don't care bit.

**Table 7. Global Current Control (I Data Bit D6) Format**

| FUNCTION  | ADDRESS<br>CODE (HEX) | REGISTER DATA |    |    |    |    |    |    |    |
|---|-----------------------|---------------|----|----|----|----|----|----|----|
|   |                       | D7            | D6 | D5 | D4 | D3 | D2 | D1 | D0 |
| Global<br>Constant-current limits for all digits are controlled<br>by one setting in the Global Current register,<br>0x02                                   | 0x04                  | M             | 0  | X  | X  | X  | X  | X  | S  |
| Individual Segment<br>Constant-current limit for each digit is individually<br>controlled by the settings in the Current054<br>through Current1FE registers | 0x04                  | M             | 1  | X  | X  | X  | X  | X  | S  |

X = Don't care bit.

**Table 8. Transition Detection Control (M-Data Bit D7) Format**

| FUNCTION | ADDRESS CODE<br>(HEX) | REGISTER DATA |    |    |    |    |    |    |    |
|----------|-----------------------|---------------|----|----|----|----|----|----|----|
|          |                       | D7            | D6 | D5 | D4 | D3 | D2 | D1 | D0 |
| Disabled | 0x04                  | 0             | I  | X  | X  | X  | X  | X  | S  |
| Enabled  | 0x04                  | 1             | I  | X  | X  | X  | X  | X  | S  |

X = Don't care bit.

**Table 9. Global Segment Current Register Format**

| LED DRIVE<br>FRACTION | TYPICAL SEGMENT<br>CURRENT (mA) | ADDRESS CODE<br>(HEX) | D7 | D6 | D5 | D4 | D3 | D2 | D1 | D0 | HEX CODE |
|-----------------------|---------------------------------|-----------------------|----|----|----|----|----|----|----|----|----------|
| 1/16                  | 1.5                             | 0x02                  | X  | X  | X  | X  | 0  | 0  | 0  | 0  | 0xX0     |
| 2/16                  | 3                               | 0x02                  | X  | X  | X  | X  | 0  | 0  | 0  | 1  | 0xX1     |
| 3/16                  | 4.5                             | 0x02                  | X  | X  | X  | X  | 0  | 0  | 1  | 0  | 0xX2     |
| 4/16                  | 6                               | 0x02                  | X  | X  | X  | X  | 0  | 0  | 1  | 1  | 0xX3     |
| 5/16                  | 7.5                             | 0x02                  | X  | X  | X  | X  | 0  | 1  | 0  | 0  | 0xX4     |

X = Don't care bit.



**Table 9. Global Segment Current Register Format (continued)**

| LED DRIVE FRACTION | TYPICAL SEGMENT CURRENT (mA) | ADDRESS CODE (HEX) | D7 | D6 | D5 | D4 | D3 | D2 | D1 | D0 | HEX CODE |
|--------------------|------------------------------|--------------------|----|----|----|----|----|----|----|----|----------|
| 6/16               | 9                            | 0x02               | X  | X  | X  | X  | 0  | 1  | 0  | 1  | 0xX5     |
| 7/16               | 10.5                         | 0x02               | X  | X  | X  | X  | 0  | 1  | 1  | 0  | 0xX6     |
| 8/16               | 12                           | 0x02               | X  | X  | X  | X  | 0  | 1  | 1  | 1  | 0xX7     |
| 9/16               | 13.5                         | 0x02               | X  | X  | X  | X  | 1  | 0  | 0  | 0  | 0xX8     |
| 10/16              | 15                           | 0x02               | X  | X  | X  | X  | 1  | 0  | 0  | 1  | 0xX9     |
| 11/16              | 16.5                         | 0x02               | X  | X  | X  | X  | 1  | 0  | 1  | 0  | 0xXA     |
| 12/16              | 18                           | 0x02               | X  | X  | X  | X  | 1  | 0  | 1  | 1  | 0xXB     |
| 13/16              | 19.5                         | 0x02               | X  | X  | X  | X  | 1  | 1  | 0  | 0  | 0xXC     |
| 14/16              | 21                           | 0x02               | X  | X  | X  | X  | 1  | 1  | 0  | 1  | 0xXD     |
| 15/16              | 22.5                         | 0x02               | X  | X  | X  | X  | 1  | 1  | 1  | 0  | 0xXE     |
| 16/16              | 24                           | 0x02               | X  | X  | X  | X  | 1  | 1  | 1  | 1  | 0xFF     |

X = Don't care bit.

**Table 10. Individual Segment Current Registers**

| REGISTER FUNCTION   | ADDRESS CODE (HEX) | D7         | D6 | D5 | D4 | D3         | D2 | D1 | D0 |
|---------------------|--------------------|------------|----|----|----|------------|----|----|----|
| Current054 register | 0x12               | Segment 5  |    |    |    | Segment 4  |    |    |    |
| Current076 register | 0x13               | Segment 7  |    |    |    | Segment 6  |    |    |    |
| Current098 register | 0x14               | Segment 9  |    |    |    | Segment 8  |    |    |    |
| Current0BA register | 0x15               | Segment 11 |    |    |    | Segment 10 |    |    |    |
| Current0DC register | 0x16               | Segment 13 |    |    |    | Segment 12 |    |    |    |
| Current0FE register | 0x17               | Segment 15 |    |    |    | Segment 14 |    |    |    |
| Current110 register | 0x18               | Segment 17 |    |    |    | Segment 16 |    |    |    |
| Current132 register | 0x19               | Segment 19 |    |    |    | Segment 18 |    |    |    |
| Current154 register | 0x1A               | Segment 21 |    |    |    | Segment 20 |    |    |    |
| Current176 register | 0x1B               | Segment 23 |    |    |    | Segment 22 |    |    |    |
| Current198 register | 0x1C               | Segment 25 |    |    |    | Segment 24 |    |    |    |
| Current1BA register | 0x1D               | Segment 27 |    |    |    | Segment 26 |    |    |    |
| Current1DC register | 0x1E               | Segment 29 |    |    |    | Segment 28 |    |    |    |
| Current1FE register | 0x1F               | Segment 31 |    |    |    | Segment 30 |    |    |    |

**Table 11. Even Individual Segment Current Format**

| LED DRIVE FRACTION | SEGMENT CONSTANT CURRENT WITH R <sub>ISET</sub> = 39kΩ (mA) | ADDRESS CODE (HEX) | D7            | D6 | D5 | D4 | D3 | D2 | D1 | D0 | HEX CODE |
|--------------------|---|--------------------|---------------|----|----|----|----|----|----|----|----------|
| 1/16               | 1.5   | 0x12 to 0x1F       | See Table 12. |    |    |    | 0  | 0  | 0  | 0  | 0xX0     |
| 2/16               | 3   | 0x12 to 0x1F       |               |    |    |    | 0  | 0  | 0  | 1  | 0xX1     |
| 3/16               | 4.5   | 0x12 to 0x1F       |               |    |    |    | 0  | 0  | 1  | 0  | 0xX2     |
| 4/16               | 6   | 0x12 to 0x1F       |               |    |    |    | 0  | 0  | 1  | 1  | 0xX3     |
| 5/16               | 7.5   | 0x12 to 0x1F       |               |    |    |    | 0  | 1  | 0  | 0  | 0xX4     |
| 6/16               | 9   | 0x12 to 0x1F       |               |    |    |    | 0  | 1  | 0  | 1  | 0xX5     |
| 7/16               | 10.5  | 0x12 to 0x1F       |               |    |    |    | 0  | 1  | 1  | 0  | 0xX6     |
| 8/16               | 12  | 0x12 to 0x1F       |               |    |    |    | 0  | 1  | 1  | 1  | 0xX7     |
| 9/16               | 13.5  | 0x12 to 0x1F       |               |    |    |    | 1  | 0  | 0  | 0  | 0xX8     |
| 10/16              | 15  | 0x12 to 0x1F       |               |    |    |    | 1  | 0  | 0  | 1  | 0xX9     |
| 11/16              | 16.5  | 0x12 to 0x1F       |               |    |    |    | 1  | 0  | 1  | 0  | 0xXA     |
| 12/16              | 18  | 0x12 to 0x1F       |               |    |    |    | 1  | 0  | 1  | 1  | 0xXB     |
| 13/16              | 19.5  | 0x12 to 0x1F       |               |    |    |    | 1  | 1  | 0  | 0  | 0xXC     |
| 14/16              | 21  | 0x12 to 0x1F       |               |    |    |    | 1  | 1  | 0  | 1  | 0xXD     |
| 15/16              | 22.5  | 0x12 to 0x1F       |               |    |    |    | 1  | 1  | 1  | 0  | 0xXE     |
| 16/16              | 24  | 0x12 to 0x1F       |               |    |    |    | 1  | 1  | 1  | 1  | 0xXF     |

## Applications Information

### Driving Bicolor and Tricolor LEDs

Bicolor digits group a red and a green die together for each display element, so that the element can be lit red, green (or orange), depending on which die (or both) is lit. The MAX6957 allows each segment's current to be set individually from 1/16th (minimum current and LED intensity) to 16/16th (maximum current and LED intensity), as well as off (zero current). Thus, a bicolor (red-green) segment pair can be set to 289 color/intensity combinations. A discrete or CA tricolor (red-green-yellow or red-green-blue) segment triad can be set to 4913 color/intensity combinations.

### Power Dissipation Issues

Each MAX6957 port can sink a current of 24mA into an LED with a 2.4V forward-voltage drop when operated from a supply voltage of at least 3.0V. The minimum voltage drop across the internal LED drivers is therefore (3.0V - 2.4V) = 0.6V. The MAX6957 can sink 28 x 24mA = 672mA when all outputs are operating as LED segment drivers at full current. On a 3.3V supply, a MAX6957 dissipates (3.3V - 2.4V) 5 672mA = 0.6W when driving 28 of these 2.4V forward-voltage drop LEDs at full current. This dissipation is within the ratings

of the 36-pin SSOP package with an ambient temperature up to +98°C. If a higher supply voltage is used or the LEDs used have a lower forward-voltage drop than 2.4V, the MAX6957 absorbs a higher voltage, and the MAX6957's power dissipation increases.

If the application requires high drive current and high supply voltage, consider adding a series resistor to each LED to drop excessive drive voltage off-chip. For example, consider the requirement that the MAX6957 must drive LEDs with a 2.0V to 2.4V specified forward-voltage drop, from an input supply range is 5V ±5% with a maximum LED current of 20mA. Minimum input supply voltage is 4.75V. Maximum LED series resistor value is (4.75V - 2.4V - 0.6V)/0.020A = 87.5Ω. We choose 82Ω ± 2%. Worst-case resistor dissipation is at maximum toleranced resistance, i.e., (0.020A)<sup>2</sup> 5 (82Ω × 1.02) = 34mW. The maximum MAX6957 dissipation per LED is at maximum input supply voltage, minimum toleranced resistance, mini-mum toleranced LED forward-voltage drop, i.e., 0.020 × (5.25V - 2.0V - (0.020A × 82Ω × 0.98)) = 32.86mW. Worst-case MAX6957 dissipation is 920mW, driving all 28 LEDs at 20mA full current at once, which meets the 941mW dissipation ratings of the 36-pin SSOP package.

**Low-Voltage Operation**

The MAX6957 operates down to 2V supply voltage (although the sourcing and sinking currents are not guaranteed), providing that the MAX6957 is powered

up initially to at least 2.5V to trigger the device’s internal reset, and also that the serial interface is constrained to 10Mbps.

**Table 12. Odd Individual Segment Current Format**

| LED DRIVE FRACTION | SEGMENT CONSTANT CURRENT WITH R <sub>ISET</sub> = 39kΩ (mA) | ADDRESS CODE (HEX) | D7 | D6 | D5 | D4 | D3            | D2 | D1 | D0 | HEX CODE |
|--------------------|---|--------------------|----|----|----|----|---------------|----|----|----|----------|
| 1/16               | 1.5   | 0x12 to 0x1F       | 0  | 0  | 0  | 0  | See Table 11. |    |    |    | 0x0X     |
| 2/16               | 3   | 0x12 to 0x1F       | 0  | 0  | 0  | 1  |               |    |    |    | 0x1X     |
| 3/16               | 4.5   | 0x12 to 0x1F       | 0  | 0  | 1  | 0  |               |    |    |    | 0x2X     |
| 4/16               | 6   | 0x12 to 0x1F       | 0  | 0  | 1  | 1  |               |    |    |    | 0x3X     |
| 5/16               | 7.5   | 0x12 to 0x1F       | 0  | 1  | 0  | 0  |               |    |    |    | 0x4X     |
| 6/16               | 9   | 0x12 to 0x1F       | 0  | 1  | 0  | 1  |               |    |    |    | 0x5X     |
| 7/16               | 10.5  | 0x12 to 0x1F       | 0  | 1  | 1  | 0  |               |    |    |    | 0x6X     |
| 8/16               | 12  | 0x12 to 0x1F       | 0  | 1  | 1  | 1  |               |    |    |    | 0x7X     |
| 9/16               | 13.5  | 0x12 to 0x1F       | 1  | 0  | 0  | 0  |               |    |    |    | 0x8X     |
| 10/16              | 15  | 0x12 to 0x1F       | 1  | 0  | 0  | 1  |               |    |    |    | 0x9X     |
| 11/16              | 16.5  | 0x12 to 0x1F       | 1  | 0  | 1  | 0  |               |    |    |    | 0xAx     |
| 12/16              | 18  | 0x12 to 0x1F       | 1  | 0  | 1  | 1  |               |    |    |    | 0xBx     |
| 13/16              | 19.5  | 0x12 to 0x1F       | 1  | 1  | 0  | 0  |               |    |    |    | 0xCx     |
| 14/16              | 21  | 0x12 to 0x1F       | 1  | 1  | 0  | 1  |               |    |    |    | 0xDx     |
| 15/16              | 22.5  | 0x12 to 0x1F       | 1  | 1  | 1  | 0  |               |    |    |    | 0xEx     |
| 16/16              | 24  | 0x12 to 0x1F       | 1  | 1  | 1  | 1  |               |    |    |    | 0xFx     |

X = Don't care bit.

**Table 13. Transition Detection Mask Register**

| FUNCTION      | REGISTER ADDRESS (HEX) | READ/ WRITE | REGISTER DATA |         |         |         |         |         |         |         |
|---------------|------------------------|-------------|---------------|---------|---------|---------|---------|---------|---------|---------|
|               |                        |             | D7            | D6      | D5      | D4      | D3      | D2      | D1      | D0      |
| Mask Register | 0x06                   | Read        | 0             | Port 30 | Port 29 | Port 28 | Port 27 | Port 26 | Port 25 | Port 24 |
|               |                        | Write       | Unchanged     | mask    | mask    | mask    | mask    | mask    | mask    | mask    |

X = Don't care bit.

**Table 14. Display Test Register**

| MODE              | ADDRESS CODE (HEX) | REGISTER DATA |    |    |    |    |    |    |    |
|-------------------|--------------------|---------------|----|----|----|----|----|----|----|
|                   |                    | D7            | D6 | D5 | D4 | D3 | D2 | D1 | D0 |
| Normal Operation  | 0x07               | X             | X  | X  | X  | X  | X  | X  | 0  |
| Display Test Mode | 0x07               | X             | X  | X  | X  | X  | X  | X  | 1  |

**SPI Routing Considerations**

The MAX6957’s SPI interface is guaranteed to operate at 26Mbps on a 2.5V supply, and on a 5V supply typically operates at 50Mbps. This means that the transmission line issues should be considered when the interface connections are longer than 100mm, particularly with higher supply voltages. Ringing manifests itself as communication issues, often intermittent, typically due to double clocking due to ringing at the SCLK input. Fit a 1kΩ to 10kΩ parallel termination resistor to either GND or V+ at the DIN, SCLK, and CS input to damp ringing for moderately long interface runs. Use line impedance matching terminations when making connections between boards.

**PC Board Layout Considerations**

Ensure that all the MAX6957 GND connections are used. A ground plane is not necessary, but may be

useful to reduce supply impedance if the MAX6957 outputs are to be heavily loaded. Keep the track length from the ISET pin to the R<sub>ISET</sub> resistor as short as possible, and take the GND end of the resistor either to the ground plane or directly to the GND pins.

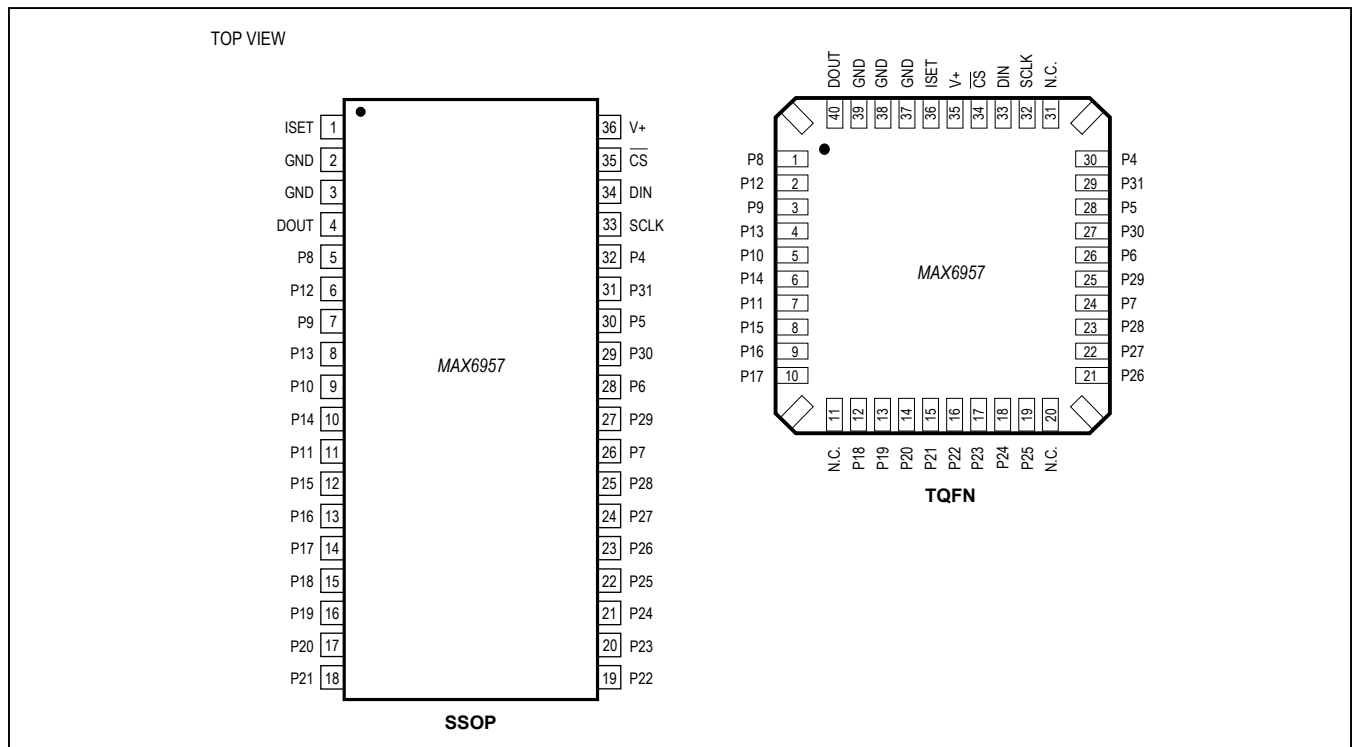
**Power-Supply Considerations**

The MAX6957 operates with power-supply voltages of 2.5V to 5.5V. Bypass the power supply to GND with a 0.047μF capacitor as close to the device as possible. Add a 1μF capacitor if the MAX6957 is far away from the board’s input bulk decoupling capacitor.

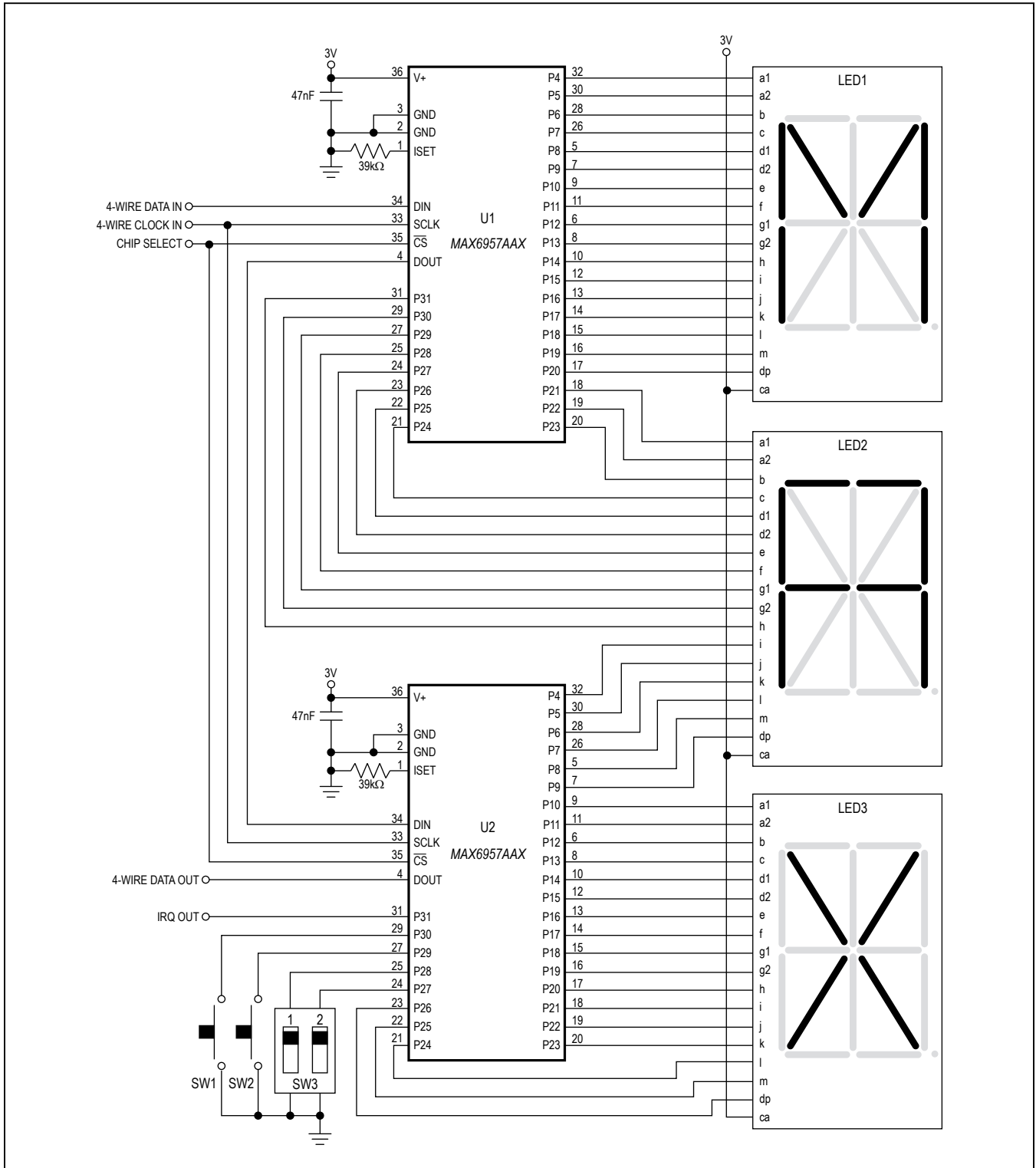
**Chip Information**

PROCESS: CMOS

**Pin Configurations (continued)**



Typical Operating Circuit



MAX6957

4-Wire-Interfaced, 2.5V to 5.5V, 20-Port and  
28-Port LED Display Driver and I/O Expander

## Package Information

For the latest package outline information and land patterns (footprints), go to [www.maximintegrated.com/packages](http://www.maximintegrated.com/packages). Note that a "+", "#", or "-" in the package code indicates RoHS status only. Package drawings may show a different suffix character, but the drawing pertains to the package regardless of RoHS status.

| PACKAGE TYPE | PACKAGE CODE | DOCUMENT NO.            | LAND PATTERN NO.        |
|--------------|--------------|-------------------------|-------------------------|
| 28 PDIP      | N28-2        | <a href="#">21-0043</a> | —                       |
| 28 SSOP      | A28-1        | <a href="#">21-0056</a> | <a href="#">90-0095</a> |
| 36 SSOP      | A36-4        | <a href="#">21-0040</a> | <a href="#">90-0098</a> |
| 40 TQFN-EP   | T4066+5      | <a href="#">21-0141</a> | <a href="#">90-0055</a> |

## Revision History

| REVISION NUMBER | REVISION DATE | DESCRIPTION   | PAGES CHANGED                |
|-----------------|---------------|---|------------------------------|
| 0               | 4/02          | Initial Release   | —                            |
| 1               | 10/02         | Corrected data sheet  | 1, 3, 5, 9, 10, 11, 14, 19   |
| 2               | 2/03          | Revised <i>Electrical Characteristics</i> table and added QFN package   | 1, 3                         |
| 3               | 11/03         | Package change, added new sections  | 1, 5-7, 10-14, 18, 20, 24 25 |
| 4               | 2/07          | Added exposed pad information to <i>General Description</i> , package code to <i>Ordering Information</i> , corrected <i>Absolute Maximum Ratings</i> , TQFN pinout information to <i>Pin Description</i> | 1, 2, 5                      |
| 5               | 7/14          | Removed automotive reference from data sheet  | 1                            |

For pricing, delivery, and ordering information, please contact Maxim Direct at 1-888-629-4642, or visit Maxim Integrated's website at [www.maximintegrated.com](http://www.maximintegrated.com).

Maxim Integrated cannot assume responsibility for use of any circuitry other than circuitry entirely embodied in a Maxim Integrated product. No circuit patent licenses are implied. Maxim Integrated reserves the right to change the circuitry and specifications without notice at any time. The parametric values (min and max limits) shown in the *Electrical Characteristics* table are guaranteed. Other parametric values quoted in this data sheet are provided for guidance.

Компания «Life Electronics» занимается поставками электронных компонентов импортного и отечественного производства от производителей и со складов крупных дистрибьюторов Европы, Америки и Азии.

С конца 2013 года компания активно расширяет линейку поставок компонентов по направлению коаксиальный кабель, кварцевые генераторы и конденсаторы (керамические, пленочные, электролитические), за счёт заключения дистрибьюторских договоров

Мы предлагаем:

- Конкурентоспособные цены и скидки постоянным клиентам.
- Специальные условия для постоянных клиентов.
- Подбор аналогов.
- Поставку компонентов в любых объемах, удовлетворяющих вашим потребностям.
- Приемлемые сроки поставки, возможна ускоренная поставка.
- Доставку товара в любую точку России и стран СНГ.
- Комплексную поставку.
- Работу по проектам и поставку образцов.
- Формирование склада под заказчика.
- Сертификаты соответствия на поставляемую продукцию (по желанию клиента).
- Тестирование поставляемой продукции.
- Поставку компонентов, требующих военную и космическую приемку.
- Входной контроль качества.
- Наличие сертификата ISO.

В составе нашей компании организован Конструкторский отдел, призванный помогать разработчикам, и инженерам.

Конструкторский отдел помогает осуществить:

- Регистрацию проекта у производителя компонентов.
- Техническую поддержку проекта.
- Защиту от снятия компонента с производства.
- Оценку стоимости проекта по компонентам.
- Изготовление тестовой платы монтаж и пусконаладочные работы.



Тел: +7 (812) 336 43 04 (многоканальный)

Email: [org@lifeelectronics.ru](mailto:org@lifeelectronics.ru)