



Is Now Part of



**ON Semiconductor®**

To learn more about ON Semiconductor, please visit our website at  
[www.onsemi.com](http://www.onsemi.com)

Please note: As part of the Fairchild Semiconductor integration, some of the Fairchild orderable part numbers will need to change in order to meet ON Semiconductor's system requirements. Since the ON Semiconductor product management systems do not have the ability to manage part nomenclature that utilizes an underscore (\_), the underscore (\_) in the Fairchild part numbers will be changed to a dash (-). This document may contain device numbers with an underscore (\_). Please check the ON Semiconductor website to verify the updated device numbers. The most current and up-to-date ordering information can be found at [www.onsemi.com](http://www.onsemi.com). Please email any questions regarding the system integration to [Fairchild\\_questions@onsemi.com](mailto:Fairchild_questions@onsemi.com).

ON Semiconductor and the ON Semiconductor logo are trademarks of Semiconductor Components Industries, LLC dba ON Semiconductor or its subsidiaries in the United States and/or other countries. ON Semiconductor owns the rights to a number of patents, trademarks, copyrights, trade secrets, and other intellectual property. A listing of ON Semiconductor's product/patent coverage may be accessed at [www.onsemi.com/site/pdf/Patent-Marking.pdf](http://www.onsemi.com/site/pdf/Patent-Marking.pdf). ON Semiconductor reserves the right to make changes without further notice to any products herein. ON Semiconductor makes no warranty, representation or guarantee regarding the suitability of its products for any particular purpose, nor does ON Semiconductor assume any liability arising out of the application or use of any product or circuit, and specifically disclaims any and all liability, including without limitation special, consequential or incidental damages. Buyer is responsible for its products and applications using ON Semiconductor products, including compliance with all laws, regulations and safety requirements or standards, regardless of any support or applications information provided by ON Semiconductor. "Typical" parameters which may be provided in ON Semiconductor data sheets and/or specifications can and do vary in different applications and actual performance may vary over time. All operating parameters, including "Typicals" must be validated for each customer application by customer's technical experts. ON Semiconductor does not convey any license under its patent rights nor the rights of others. ON Semiconductor products are not designed, intended, or authorized for use as a critical component in life support systems or any FDA Class 3 medical devices or medical devices with a same or similar classification in a foreign jurisdiction or any devices intended for implantation in the human body. Should Buyer purchase or use ON Semiconductor products for any such unintended or unauthorized application, Buyer shall indemnify and hold ON Semiconductor and its officers, employees, subsidiaries, affiliates, and distributors harmless against all claims, costs, damages, and expenses, and reasonable attorney fees arising out of, directly or indirectly, any claim of personal injury or death associated with such unintended or unauthorized use, even if such claim alleges that ON Semiconductor was negligent regarding the design or manufacture of the part. ON Semiconductor is an Equal Opportunity/Affirmative Action Employer. This literature is subject to all applicable copyright laws and is not for resale in any manner.

## NC7SP157 TinyLogic® ULP 2-Input Non-Inverting Multiplexer

### General Description

The NC7SP157 is a single 2-Input Non-Inverting Multiplexer from Fairchild's Ultra Low Power (ULP) Series of TinyLogic®. Ideal for applications where battery life is critical, this product is designed for ultra low power consumption within the  $V_{CC}$  operating range of 0.9V to 3.6V  $V_{CC}$ .

The internal circuit is composed of a minimum of inverter stages, including the output buffer, to enable ultra low static and dynamic power.

The NC7SP157, for lower drive requirements, is uniquely designed for optimized power and speed, and is fabricated with an advanced CMOS technology to achieve best in class speed operation while maintaining extremely low CMOS power dissipation.

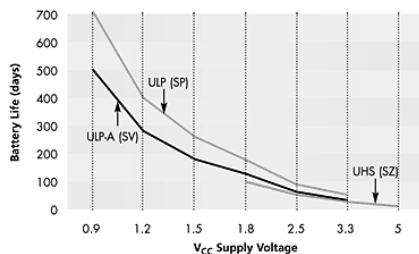
### Features

- 0.9V to 3.6V  $V_{CC}$  supply operation
- 3.6V overvoltage tolerant I/O's at  $V_{CC}$  from 0.9V to 3.6V
- $t_{PD}$ 
  - 3.0 ns typ for 3.0V to 3.6V  $V_{CC}$
  - 4.0 ns typ for 2.3V to 2.7V  $V_{CC}$
  - 5.0 ns typ for 1.65V to 1.95V  $V_{CC}$
  - 7.0 ns typ for 1.40V to 1.60V  $V_{CC}$
  - 11.0 ns typ for 1.10V to 1.30V  $V_{CC}$
  - 30.0 ns typ for 0.90V  $V_{CC}$
- Power-Off high impedance inputs and outputs
- Static Drive ( $I_{OH}/I_{OL}$ )
  - ±2.6 mA @ 3.00V  $V_{CC}$
  - ±2.1 mA @ 2.30V  $V_{CC}$
  - ±1.5 mA @ 1.65V  $V_{CC}$
  - ±1.0 mA @ 1.40V  $V_{CC}$
  - ±0.5 mA @ 1.10V  $V_{CC}$
  - ±20  $\mu$ A @ 0.9V  $V_{CC}$
- Uses patented Quiet Series™ noise/EMI reduction circuitry
- Ultra small MicroPak™ leadfree package
- Ultra low dynamic power

### Ordering Code:

| Order Number | Package Number | Product Code Top Mark | Package Description                 | Supplied As               |
|--------------|----------------|-----------------------|-------------------------------------|---------------------------|
| NC7SP157P6X  | MAA06A         | PF7                   | 6-Lead SC70, EIAJ SC88, 1.25mm Wide | 3k Units on Tape and Reel |
| NC7SP157L6X  | MAC06A         | L7                    | 6-Lead MicroPak, 1.0mm Wide         | 5k Units on Tape and Reel |

### Battery Life vs. $V_{CC}$ Supply Voltage



TinyLogic ULP and ULP-A with up to 50% less power consumption can extend your battery life significantly.

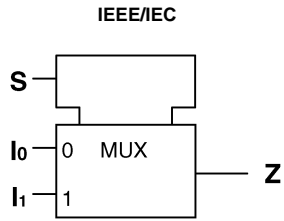
$$\text{Battery Life} = (V_{\text{battery}} * I_{\text{battery}} * 9) / (P_{\text{device}}) / 24 \text{hrs/day}$$

$$\text{Where, } P_{\text{device}} = (I_{CC} * V_{CC}) + (C_{PD} + C_L) * V_{CC}^2 * f$$

Assumes ideal 3.6V Lithium Ion battery with current rating of 900mAh and derated 90% and device frequency at 10MHz, with  $C_L = 15$  pF load

TinyLogic® is a registered trademark of Fairchild Semiconductor Corporation.  
Quiet Series™, and MicroPak™ are trademarks of Fairchild Semiconductor Corporation.

**Logic Symbol**



**Pin Descriptions**

| Pin Names                       | Description   |
|---------------------------------|---------------|
| I <sub>0</sub> , I <sub>1</sub> | Data Inputs   |
| S                               | Control Input |
| Z                               | Output        |

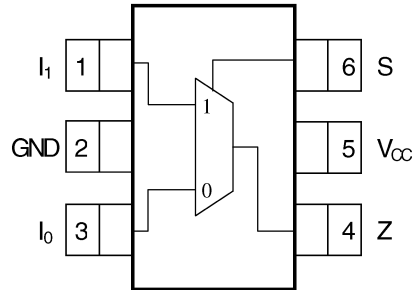
**Function Table**

| Inputs |                |                | Output  |
|--------|----------------|----------------|---|
| S      | I <sub>1</sub> | I <sub>0</sub> | Z = (I <sub>0</sub> )•(S)+(I <sub>1</sub> )•(S) |
| L      | X              | L              | L   |
| L      | X              | H              | H   |
| H      | L              | X              | L   |
| H      | H              | X              | H   |

H = HIGH Logic Level  
L = LOW Logic Level

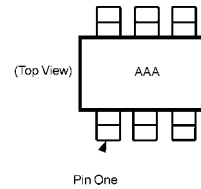
**Connection Diagrams**

**Pin Assignments for SC70**



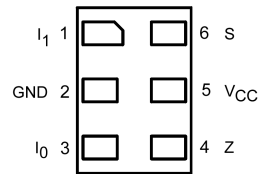
(Top View)

**Pin One Orientation Diagram**



AAA = Product Code Top Mark - see ordering code  
**Note:** Orientation of Top Mark determines Pin One location. Read the top product code mark left to right, Pin One is the lower left pin (see diagram).

**Pad Assignments for MicroPak**



(Top Thru View)

| Absolute Maximum Ratings (Note 1)                 |                         | Recommended Operating Conditions (Note 3)       |                |
|---|-------------------------|---|----------------|
| Supply Voltage ( $V_{CC}$ )                       | -0.5V to +4.6V          | Supply Voltage                                  | 0.9V to 3.6V   |
| DC Input Voltage ( $V_{IN}$ )                     | -0.5V to +4.6V          | Input Voltage ( $V_{IN}$ )                      | 0V to 3.6V     |
| DC Output Voltage ( $V_{OUT}$ )                   |                         | Output Voltage ( $V_{OUT}$ )                    |                |
| HIGH or LOW State (Note 2)                        | -0.5V to $V_{CC}$ +0.5V | HIGH or LOW State                               | 0V to $V_{CC}$ |
| $V_{CC} = 0V$                                     | -0.5V to 4.6V           | $V_{CC} = 0V$                                   | 0V to 3.6V     |
| DC Input Diode Current ( $I_{IK}$ ) $V_{IN} < 0V$ | ±50 mA                  | Output Current in $I_{OH}/I_{OL}$               |                |
| DC Output Diode Current ( $I_{OK}$ )              |                         | $V_{CC} = 3.0V$ to 3.6V                         | ±2.6 mA        |
| $V_{OUT} < 0V$                                    | -50 mA                  | $V_{CC} = 2.3V$ to 2.7V                         | ±2.1 mA        |
| $V_{OUT} > V_{CC}$                                | +50 mA                  | $V_{CC} = 1.65V$ to 1.95V                       | ±1.5 mA        |
| DC Output Source/Sink Current ( $I_{OH}/I_{OL}$ ) | ± 50 mA                 | $V_{CC} = 1.40V$ to 1.60V                       | ± 1 mA         |
| DC $V_{CC}$ or Ground Current per                 |                         | $V_{CC} = 1.10V$ to 1.30V                       | ±0.5 mA        |
| Supply Pin ( $I_{CC}$ or Ground)                  | ± 50 mA                 | $V_{CC} = 0.9V$                                 | ±20 $\mu A$    |
| Storage Temperature Range ( $T_{STG}$ )           | -65°C to +150°C         | Free Air Operating Temperature ( $T_A$ )        | -40°C to +85°C |
|   |                         | Minimum Input Edge Rate ( $\Delta t/\Delta V$ ) |                |
|   |                         | $V_{IN} = 0.8V$ to 2.0V, $V_{CC} = 3.0V$        | 10 ns/V        |

**Note 1:** Absolute Maximum Ratings: are those values beyond which the safety of the device cannot be guaranteed. The device should not be operated at these limits. The parametric values defined in the Electrical Characteristics tables are not guaranteed at the absolute maximum ratings. The "Recommended Operating Conditions" table will define the conditions for actual device operation.

**Note 2:**  $I_O$  Absolute Maximum Rating must be observed.

**Note 3:** Unused inputs must be held HIGH or LOW. They may not float.

### DC Electrical Characteristics

| Symbol   | Parameter                    | $V_{CC}$<br>(V)              | $T_A = +25^\circ C$ |                 | $T_A = -40^\circ C$ to $+85^\circ C$ |                 | Units | Conditions           |
|----------|------------------------------|------------------------------|---------------------|-----------------|--------------------------------------|-----------------|-------|----------------------|
|          |                              |                              | Min                 | Max             | Min                                  | Max             |       |                      |
| $V_{IH}$ | HIGH Level<br>Input Voltage  | 0.90                         | 0.65 x $V_{CC}$     |                 | 0.65 x $V_{CC}$                      |                 | V     |                      |
|          |                              | $1.10 \leq V_{CC} \leq 1.30$ | 0.65 x $V_{CC}$     |                 | 0.65 x $V_{CC}$                      |                 |       |                      |
|          |                              | $1.40 \leq V_{CC} \leq 1.60$ | 0.65 x $V_{CC}$     |                 | 0.65 x $V_{CC}$                      |                 |       |                      |
|          |                              | $1.65 \leq V_{CC} \leq 1.95$ | 0.65 x $V_{CC}$     |                 | 0.65 x $V_{CC}$                      |                 |       |                      |
|          |                              | $2.30 \leq V_{CC} \leq 2.70$ | 1.6                 |                 | 1.6                                  |                 |       |                      |
|          |                              | $3.00 \leq V_{CC} \leq 3.60$ | 2.1                 |                 | 2.1                                  |                 |       |                      |
| $V_{IL}$ | LOW Level<br>Input Voltage   | 0.90                         |                     | 0.35 x $V_{CC}$ |                                      | 0.35 x $V_{CC}$ | V     |                      |
|          |                              | $1.10 \leq V_{CC} \leq 1.30$ |                     | 0.35 x $V_{CC}$ |                                      | 0.35 x $V_{CC}$ |       |                      |
|          |                              | $1.40 \leq V_{CC} \leq 1.60$ |                     | 0.35 x $V_{CC}$ |                                      | 0.35 x $V_{CC}$ |       |                      |
|          |                              | $1.65 \leq V_{CC} \leq 1.95$ |                     | 0.35 x $V_{CC}$ |                                      | 0.35 x $V_{CC}$ |       |                      |
|          |                              | $2.30 \leq V_{CC} \leq 2.70$ |                     | 0.7             |                                      | 0.7             |       |                      |
|          |                              | $3.00 \leq V_{CC} \leq 3.60$ |                     | 0.9             | 0.9                                  |                 |       |                      |
| $V_{OH}$ | HIGH Level<br>Output Voltage | 0.90                         | $V_{CC} - 0.1$      |                 | $V_{CC} - 0.1$                       |                 | V     | $I_{OH} = -20 \mu A$ |
|          |                              | $1.10 \leq V_{CC} \leq 1.30$ | $V_{CC} - 0.1$      |                 | $V_{CC} - 0.1$                       |                 |       |                      |
|          |                              | $1.40 \leq V_{CC} \leq 1.60$ | $V_{CC} - 0.1$      |                 | $V_{CC} - 0.1$                       |                 |       |                      |
|          |                              | $1.65 \leq V_{CC} \leq 1.95$ | $V_{CC} - 0.1$      |                 | $V_{CC} - 0.1$                       |                 |       |                      |
|          |                              | $2.30 \leq V_{CC} \leq 2.70$ | $V_{CC} - 0.1$      |                 | $V_{CC} - 0.1$                       |                 |       |                      |
|          |                              | $3.00 \leq V_{CC} \leq 3.60$ | $V_{CC} - 0.1$      |                 | $V_{CC} - 0.1$                       |                 |       |                      |
|          |                              | $1.10 \leq V_{CC} \leq 1.30$ | 0.75 x $V_{CC}$     |                 | 0.70 x $V_{CC}$                      |                 |       |                      |
|          |                              | $1.40 \leq V_{CC} \leq 1.60$ | 1.07                |                 | 0.99                                 |                 |       |                      |
|          |                              | $1.65 \leq V_{CC} \leq 1.95$ | 1.24                |                 | 1.22                                 |                 |       |                      |
|          |                              | $2.30 \leq V_{CC} \leq 2.70$ | 1.95                |                 | 1.87                                 |                 |       |                      |
|          | $3.00 \leq V_{CC} \leq 3.60$ | 2.61                         |                     | 2.55            |                                      |                 |       |                      |

| DC Electrical Characteristics (Continued) |                               |                               |                        |                        |                                 |                                 |       |  |   |               |
|---|-------------------------------|-------------------------------|------------------------|------------------------|---------------------------------|---------------------------------|-------|--|---|---------------|
| Symbol                                    | Parameter                     | V <sub>CC</sub><br>(V)        | T <sub>A</sub> = +25°C |                        | T <sub>A</sub> = -40°C to +85°C |                                 | Units | Conditions   |   |               |
|   |                               |                               | Min                    | Max                    | Min                             | Max                             |       |  |   |               |
| V <sub>OL</sub>                           | LOW Level<br>Output Voltage   | 0.90                          |                        | 0.1                    |                                 | 0.1                             | V     | I <sub>OL</sub> = 20 μA                                |   |               |
|   |                               | 1.10 ≤ V <sub>CC</sub> ≤ 1.30 |                        | 0.1                    |                                 | 0.1                             |       |  |   |               |
|   |                               | 1.40 ≤ V <sub>CC</sub> ≤ 1.60 |                        | 0.1                    |                                 | 0.1                             |       |  |   |               |
|   |                               | 1.65 ≤ V <sub>CC</sub> ≤ 1.95 |                        | 0.1                    |                                 | 0.1                             |       |  |   |               |
|   |                               | 2.30 ≤ V <sub>CC</sub> ≤ 2.70 |                        | 0.1                    |                                 | 0.1                             |       |  |   |               |
|   |                               | 3.00 ≤ V <sub>CC</sub> ≤ 3.60 |                        | 0.1                    |                                 | 0.1                             |       |  |   |               |
|   |                               | 1.10 ≤ V <sub>CC</sub> ≤ 1.30 |                        | 0.30 × V <sub>CC</sub> |                                 | 0.30 × V <sub>CC</sub>          |       |  | I <sub>OL</sub> = 0.5 mA                        |               |
|   |                               | 1.40 ≤ V <sub>CC</sub> ≤ 1.60 |                        | 0.31                   |                                 | 0.37                            |       |  | I <sub>OL</sub> = 1 mA                          |               |
|   |                               | 1.65 ≤ V <sub>CC</sub> ≤ 1.95 |                        | 0.31                   |                                 | 0.35                            |       |  | I <sub>OL</sub> = 1.5 mA                        |               |
| 2.30 ≤ V <sub>CC</sub> ≤ 2.70             |                               | 0.31                          |                        | 0.33                   | I <sub>OL</sub> = 2.1 mA        |                                 |       |  |   |               |
| 3.00 ≤ V <sub>CC</sub> ≤ 3.60             |                               | 0.31                          |                        | 0.33                   | I <sub>OL</sub> = 2.6 mA        |                                 |       |  |   |               |
| I <sub>IN</sub>                           | Input Leakage Current         | 0.90 to 3.60                  |                        | ±0.1                   |                                 | ±0.5                            | μA    | 0 ≤ V <sub>I</sub> ≤ 3.6V                              |   |               |
| I <sub>OFF</sub>                          | Power Off Leakage Current     | 0                             |                        | 0.5                    |                                 | 0.5                             | μA    | 0 ≤ (V <sub>I</sub> , V <sub>O</sub> ) ≤ 3.6V          |   |               |
| I <sub>CC</sub>                           | Quiescent Supply Current      | 0.90 to 3.60                  |                        | 0.9                    |                                 | 0.9                             | μA    | V <sub>I</sub> = V <sub>CC</sub> or GND                |   |               |
| AC Electrical Characteristics             |                               |                               |                        |                        |                                 |                                 |       |  |   |               |
| Symbol                                    | Parameter                     | V <sub>CC</sub><br>(V)        | T <sub>A</sub> = +25°C |                        |                                 | T <sub>A</sub> = -40°C to +85°C |       | Units  | Conditions                                      | Figure Number |
|   |                               |                               | Min                    | Typ                    | Max                             | Min                             | Max   |  |   |               |
| t <sub>PHL</sub><br>t <sub>PLH</sub>      | Propagation Delay             | 0.90                          |                        | 30                     |                                 |                                 |       | ns   | C <sub>L</sub> = 10 pF<br>R <sub>L</sub> = 1 MΩ | Figures 1, 2  |
|   |                               | 1.10 ≤ V <sub>CC</sub> ≤ 1.30 | 3.5                    | 11                     | 23.4                            | 3.0                             | 37.7  |  |   |               |
|   |                               | 1.40 ≤ V <sub>CC</sub> ≤ 1.60 | 2.0                    | 7                      | 15.1                            | 1.5                             | 16.8  |  |   |               |
|   |                               | 1.65 ≤ V <sub>CC</sub> ≤ 1.95 | 1.5                    | 5                      | 11.5                            | 1.0                             | 12.5  |  |   |               |
|   |                               | 2.30 ≤ V <sub>CC</sub> ≤ 2.70 | 1.0                    | 4                      | 8.1                             | 0.8                             | 9.1   |  |   |               |
| 3.00 ≤ V <sub>CC</sub> ≤ 3.60             | 1.0                           | 3                             | 6.6                    | 0.5                    | 7.7                             |                                 |       |  |   |               |
| t <sub>PHL</sub><br>t <sub>PLH</sub>      | Propagation Delay             | 0.90                          |                        | 32                     |                                 |                                 |       | ns   | C <sub>L</sub> = 15 pF<br>R <sub>L</sub> = 1 MΩ | Figures 1, 2  |
|   |                               | 1.10 ≤ V <sub>CC</sub> ≤ 1.30 | 4.0                    | 12                     | 24.8                            | 3.5                             | 39.7  |  |   |               |
|   |                               | 1.40 ≤ V <sub>CC</sub> ≤ 1.60 | 3.0                    | 8                      | 16.0                            | 2.5                             | 17.2  |  |   |               |
|   |                               | 1.65 ≤ V <sub>CC</sub> ≤ 1.95 | 2.0                    | 6                      | 12.1                            | 2.0                             | 13.1  |  |   |               |
|   |                               | 2.30 ≤ V <sub>CC</sub> ≤ 2.70 | 1.5                    | 5                      | 8.6                             | 1.0                             | 9.7   |  |   |               |
| 3.00 ≤ V <sub>CC</sub> ≤ 3.60             | 1.0                           | 4                             | 7.0                    | 0.5                    | 8.1                             |                                 |       |  |   |               |
| t <sub>PHL</sub><br>t <sub>PLH</sub>      | Propagation Delay             | 0.90                          |                        | 40                     |                                 |                                 |       |  | C <sub>L</sub> = 30 pF<br>R <sub>L</sub> = 1 MΩ | Figures 1, 2  |
|   |                               | 1.10 ≤ V <sub>CC</sub> ≤ 1.30 | 4.5                    | 14                     | 29.1                            | 4.0                             | 47.7  |  |   |               |
|   |                               | 1.40 ≤ V <sub>CC</sub> ≤ 1.60 | 4.0                    | 9                      | 18.6                            | 3.0                             | 19.5  |  |   |               |
|   |                               | 1.65 ≤ V <sub>CC</sub> ≤ 1.95 | 2.0                    | 7                      | 14.1                            | 2.0                             | 15.3  |  |   |               |
|   |                               | 2.30 ≤ V <sub>CC</sub> ≤ 2.70 | 1.5                    | 5                      | 10.0                            | 1.0                             | 11.2  |  |   |               |
| 3.00 ≤ V <sub>CC</sub> ≤ 3.60             | 1.0                           | 4                             | 8.2                    | 0.5                    | 9.3                             |                                 |       |  |   |               |
| C <sub>IN</sub>                           | Input Capacitance             | 0                             |                        | 2.0                    |                                 |                                 | pF    |  |   |               |
| C <sub>OUT</sub>                          | Output Capacitance            | 0                             |                        | 4.0                    |                                 |                                 | pF    |  |   |               |
| C <sub>PD</sub>                           | Power Dissipation Capacitance | 0.9 to 3.60                   |                        | 8                      |                                 |                                 | pF    | V <sub>I</sub> = 0V or V <sub>CC</sub> ,<br>f = 10 MHz |   |               |

## AC Loading and Waveforms

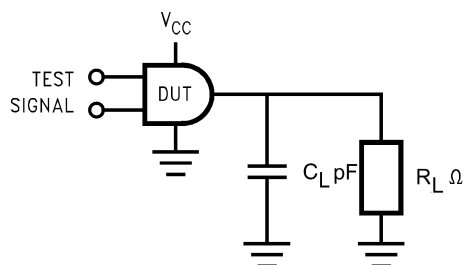


FIGURE 1. AC Test Circuit

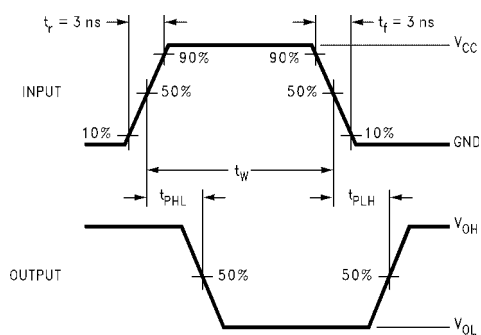


FIGURE 2. AC Waveforms

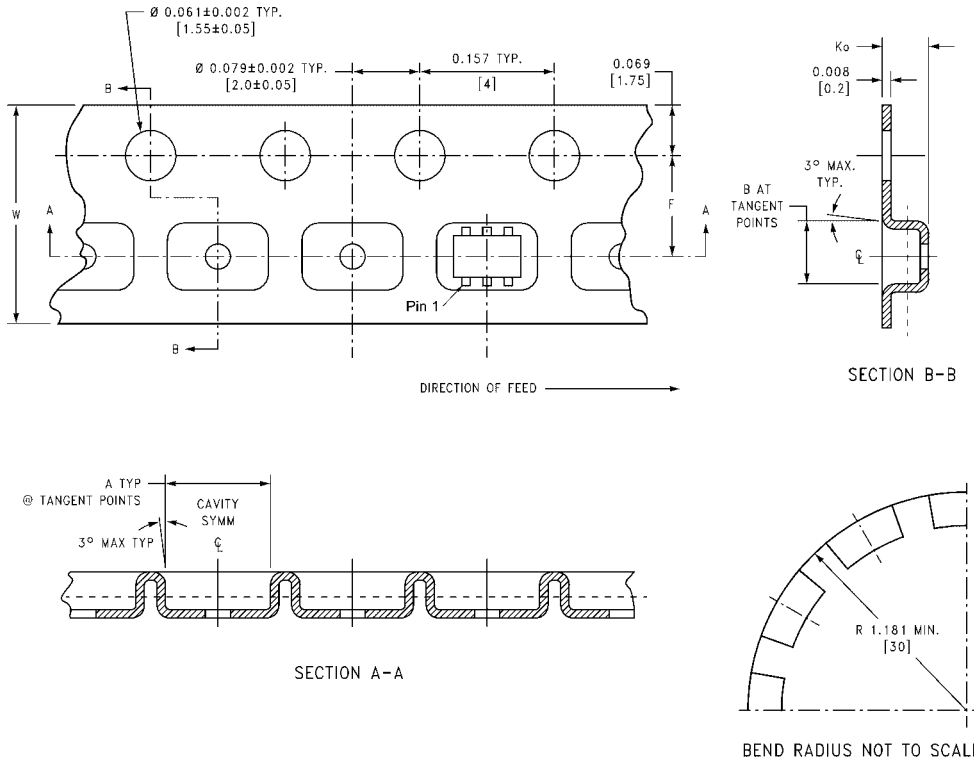
| Symbol          | V <sub>CC</sub> |                    |                    |                    |                    |                    |
|-----------------|-----------------|--------------------|--------------------|--------------------|--------------------|--------------------|
|                 | 3.3V ± 0.3V     | 2.5V ± 0.2V        | 1.8V ± 0.15V       | 1.5V ± 0.10V       | 1.2V ± 0.10V       | 0.9V               |
| V <sub>mi</sub> | 1.5V            | V <sub>CC</sub> /2 | V <sub>CC</sub> /2 | V <sub>CC</sub> /2 | V <sub>CC</sub> /2 | V <sub>CC</sub> /2 |
| V <sub>mo</sub> | 1.5V            | V <sub>CC</sub> /2 | V <sub>CC</sub> /2 | V <sub>CC</sub> /2 | V <sub>CC</sub> /2 | V <sub>CC</sub> /2 |

## Tape and Reel Specification

### TAPE FORMAT for SC70

| Package Designator | Tape Section       | Number Cavities | Cavity Status | Cover Tape Status |
|--------------------|--------------------|-----------------|---------------|-------------------|
| P6X                | Leader (Start End) | 125 (typ)       | Empty         | Sealed            |
|                    | Carrier            | 3000            | Filled        | Sealed            |
|                    | Trailer (Hub End)  | 75 (typ)        | Empty         | Sealed            |

### TAPE DIMENSIONS inches (millimeters)



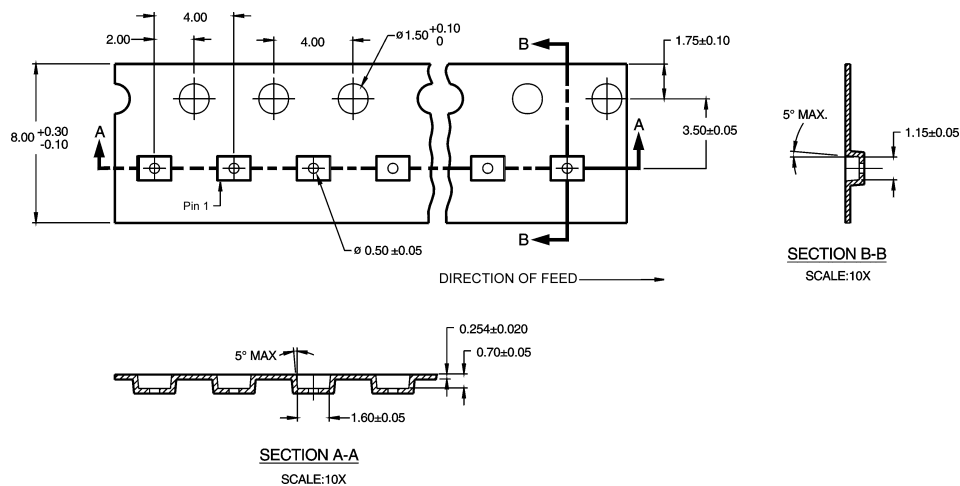
| Package | Tape Size | DIM A           | DIM B           | DIM F                                   | DIM $K_0$                                | DIM P1       | DIM W                                |
|---------|-----------|-----------------|-----------------|---|--|--------------|--------------------------------------|
| SC70-5  | 8 mm      | 0.093<br>(2.35) | 0.096<br>(2.45) | $0.138 \pm 0.004$<br>( $3.5 \pm 0.10$ ) | $0.053 \pm 0.004$<br>( $1.35 \pm 0.10$ ) | 0.157<br>(4) | $0.315 \pm 0.004$<br>( $8 \pm 0.1$ ) |

### Tape and Reel Specification (Continued)

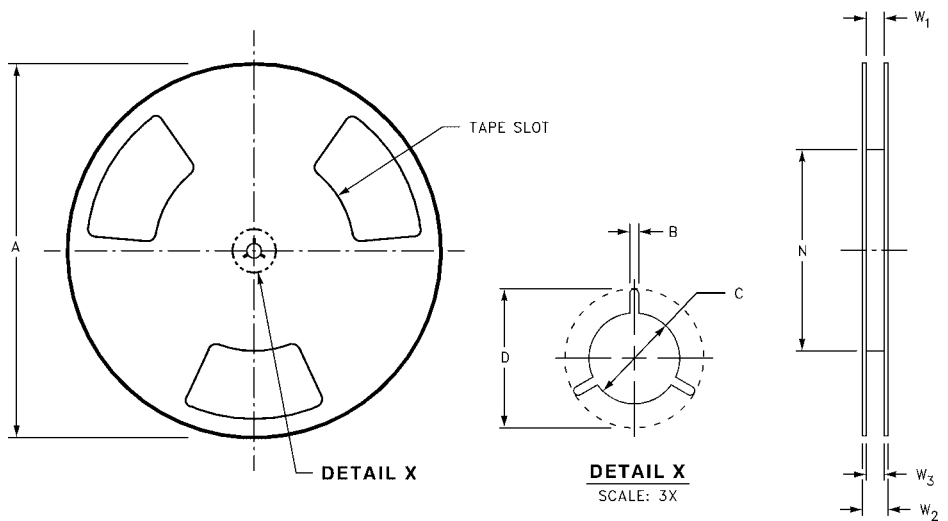
#### TAPE FORMAT for MicroPak

| Package Designator | Tape Section       | Number Cavities | Cavity Status | Cover Tape Status |
|--------------------|--------------------|-----------------|---------------|-------------------|
| L6X                | Leader (Start End) | 125 (typ)       | Empty         | Sealed            |
|                    | Carrier            | 5000            | Filled        | Sealed            |
|                    | Trailer (Hub End)  | 75 (typ)        | Empty         | Sealed            |

#### TAPE DIMENSIONS inches (millimeters)



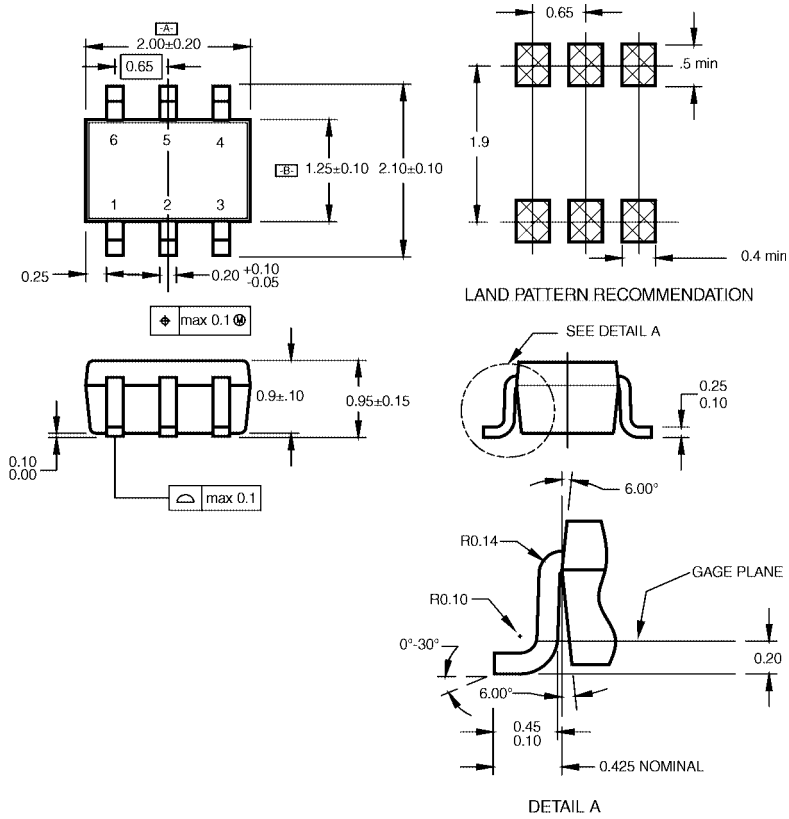
#### REEL DIMENSIONS inches (millimeters)



| Tape Size | A              | B               | C                | D                | N                | W1  | W2               | W3                                       |
|-----------|----------------|-----------------|------------------|------------------|------------------|---|------------------|--|
| 8 mm      | 7.0<br>(177.8) | 0.059<br>(1.50) | 0.512<br>(13.00) | 0.795<br>(20.20) | 2.165<br>(55.00) | $0.331 + 0.059/-0.000$<br>(8.40 + 1.50/-0.00) | 0.567<br>(14.40) | $W1 + 0.078/-0.039$<br>(W1 + 2.00/-1.00) |



**Physical Dimensions** inches (millimeters) unless otherwise noted



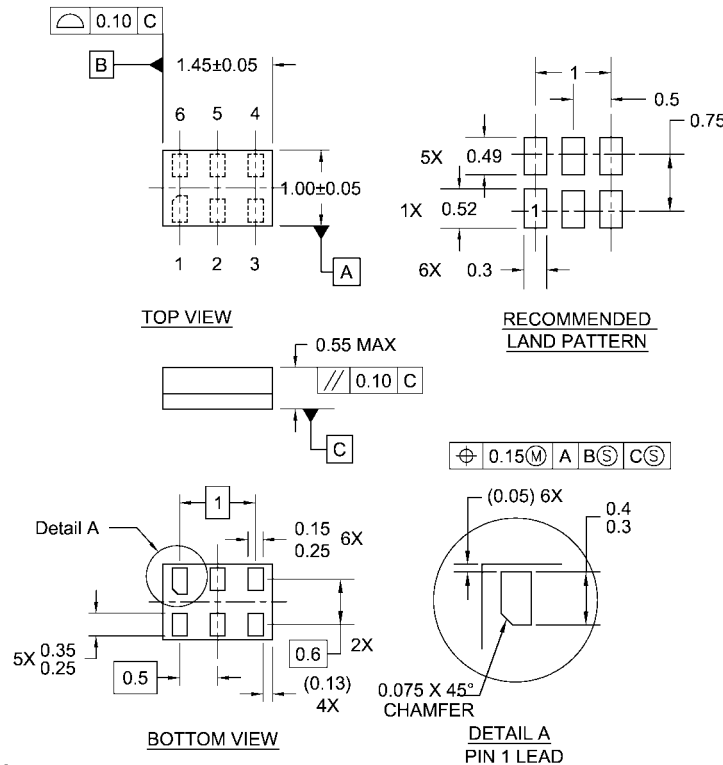
NOTES:

- A. CONFORMS TO EIAJ REGISTERED OUTLINE DRAWING SC88.
- B. DIMENSIONS DO NOT INCLUDE BURRS OR MOLD FLASH.
- C. DIMENSIONS ARE IN MILLIMETERS.

MAA06ARevC

**6-Lead SC70, EIAJ SC88, 1.25mm Wide  
Package Number MAA06A**

**Physical Dimensions** inches (millimeters) unless otherwise noted (Continued)



- Notes:
1. JEDEC PACKAGE REGISTRATION IS ANTICIPATED
  2. DIMENSIONS ARE IN MILLIMETERS
  3. DRAWING CONFORMS TO ASME Y14.5M-1994

MAC06ARevB

**6-Lead MicroPak, 1.0mm Wide  
Package Number MAC06A**

Fairchild does not assume any responsibility for use of any circuitry described, no circuit patent licenses are implied and Fairchild reserves the right at any time without notice to change said circuitry and specifications.

**LIFE SUPPORT POLICY**

FAIRCHILD'S PRODUCTS ARE NOT AUTHORIZED FOR USE AS CRITICAL COMPONENTS IN LIFE SUPPORT DEVICES OR SYSTEMS WITHOUT THE EXPRESS WRITTEN APPROVAL OF THE PRESIDENT OF FAIRCHILD SEMICONDUCTOR CORPORATION. As used herein:

1. Life support devices or systems are devices or systems which, (a) are intended for surgical implant into the body, or (b) support or sustain life, and (c) whose failure to perform when properly used in accordance with instructions for use provided in the labeling, can be reasonably expected to result in a significant injury to the user.
2. A critical component in any component of a life support device or system whose failure to perform can be reasonably expected to cause the failure of the life support device or system, or to affect its safety or effectiveness.

[www.fairchildsemi.com](http://www.fairchildsemi.com)

ON Semiconductor and  are trademarks of Semiconductor Components Industries, LLC dba ON Semiconductor or its subsidiaries in the United States and/or other countries. ON Semiconductor owns the rights to a number of patents, trademarks, copyrights, trade secrets, and other intellectual property. A listing of ON Semiconductor's product/patent coverage may be accessed at [www.onsemi.com/site/pdf/Patent-Marking.pdf](http://www.onsemi.com/site/pdf/Patent-Marking.pdf). ON Semiconductor reserves the right to make changes without further notice to any products herein. ON Semiconductor makes no warranty, representation or guarantee regarding the suitability of its products for any particular purpose, nor does ON Semiconductor assume any liability arising out of the application or use of any product or circuit, and specifically disclaims any and all liability, including without limitation special, consequential or incidental damages. Buyer is responsible for its products and applications using ON Semiconductor products, including compliance with all laws, regulations and safety requirements or standards, regardless of any support or applications information provided by ON Semiconductor. "Typical" parameters which may be provided in ON Semiconductor data sheets and/or specifications can and do vary in different applications and actual performance may vary over time. All operating parameters, including "Typicals" must be validated for each customer application by customer's technical experts. ON Semiconductor does not convey any license under its patent rights nor the rights of others. ON Semiconductor products are not designed, intended, or authorized for use as a critical component in life support systems or any FDA Class 3 medical devices or medical devices with a same or similar classification in a foreign jurisdiction or any devices intended for implantation in the human body. Should Buyer purchase or use ON Semiconductor products for any such unintended or unauthorized application, Buyer shall indemnify and hold ON Semiconductor and its officers, employees, subsidiaries, affiliates, and distributors harmless against all claims, costs, damages, and expenses, and reasonable attorney fees arising out of, directly or indirectly, any claim of personal injury or death associated with such unintended or unauthorized use, even if such claim alleges that ON Semiconductor was negligent regarding the design or manufacture of the part. ON Semiconductor is an Equal Opportunity/Affirmative Action Employer. This literature is subject to all applicable copyright laws and is not for resale in any manner.

## PUBLICATION ORDERING INFORMATION

### LITERATURE FULFILLMENT:

Literature Distribution Center for ON Semiconductor  
19521 E. 32nd Pkwy, Aurora, Colorado 80011 USA  
**Phone:** 303-675-2175 or 800-344-3860 Toll Free USA/Canada  
**Fax:** 303-675-2176 or 800-344-3867 Toll Free USA/Canada  
**Email:** [orderlit@onsemi.com](mailto:orderlit@onsemi.com)

**N. American Technical Support:** 800-282-9855 Toll Free  
USA/Canada  
**Europe, Middle East and Africa Technical Support:**  
Phone: 421 33 790 2910  
**Japan Customer Focus Center**  
Phone: 81-3-5817-1050

**ON Semiconductor Website:** [www.onsemi.com](http://www.onsemi.com)  
**Order Literature:** <http://www.onsemi.com/orderlit>  
For additional information, please contact your local  
Sales Representative

# Mouser Electronics

Authorized Distributor

Click to View Pricing, Inventory, Delivery & Lifecycle Information:

[ON Semiconductor:](#)

[NC7SP157P6X](#) [NC7SP157L6X](#)

Компания «Life Electronics» занимается поставками электронных компонентов импортного и отечественного производства от производителей и со складов крупных дистрибьюторов Европы, Америки и Азии.

С конца 2013 года компания активно расширяет линейку поставок компонентов по направлению коаксиальный кабель, кварцевые генераторы и конденсаторы (керамические, пленочные, электролитические), за счёт заключения дистрибьюторских договоров

Мы предлагаем:

- Конкурентоспособные цены и скидки постоянным клиентам.
- Специальные условия для постоянных клиентов.
- Подбор аналогов.
- Поставку компонентов в любых объемах, удовлетворяющих вашим потребностям.
- Приемлемые сроки поставки, возможна ускоренная поставка.
- Доставку товара в любую точку России и стран СНГ.
- Комплексную поставку.
- Работу по проектам и поставку образцов.
- Формирование склада под заказчика.
- Сертификаты соответствия на поставляемую продукцию (по желанию клиента).
- Тестирование поставляемой продукции.
- Поставку компонентов, требующих военную и космическую приемку.
- Входной контроль качества.
- Наличие сертификата ISO.

В составе нашей компании организован Конструкторский отдел, призванный помогать разработчикам, и инженерам.

Конструкторский отдел помогает осуществить:

- Регистрацию проекта у производителя компонентов.
- Техническую поддержку проекта.
- Защиту от снятия компонента с производства.
- Оценку стоимости проекта по компонентам.
- Изготовление тестовой платы монтаж и пусконаладочные работы.



Тел: +7 (812) 336 43 04 (многоканальный)

Email: [org@lifeelectronics.ru](mailto:org@lifeelectronics.ru)