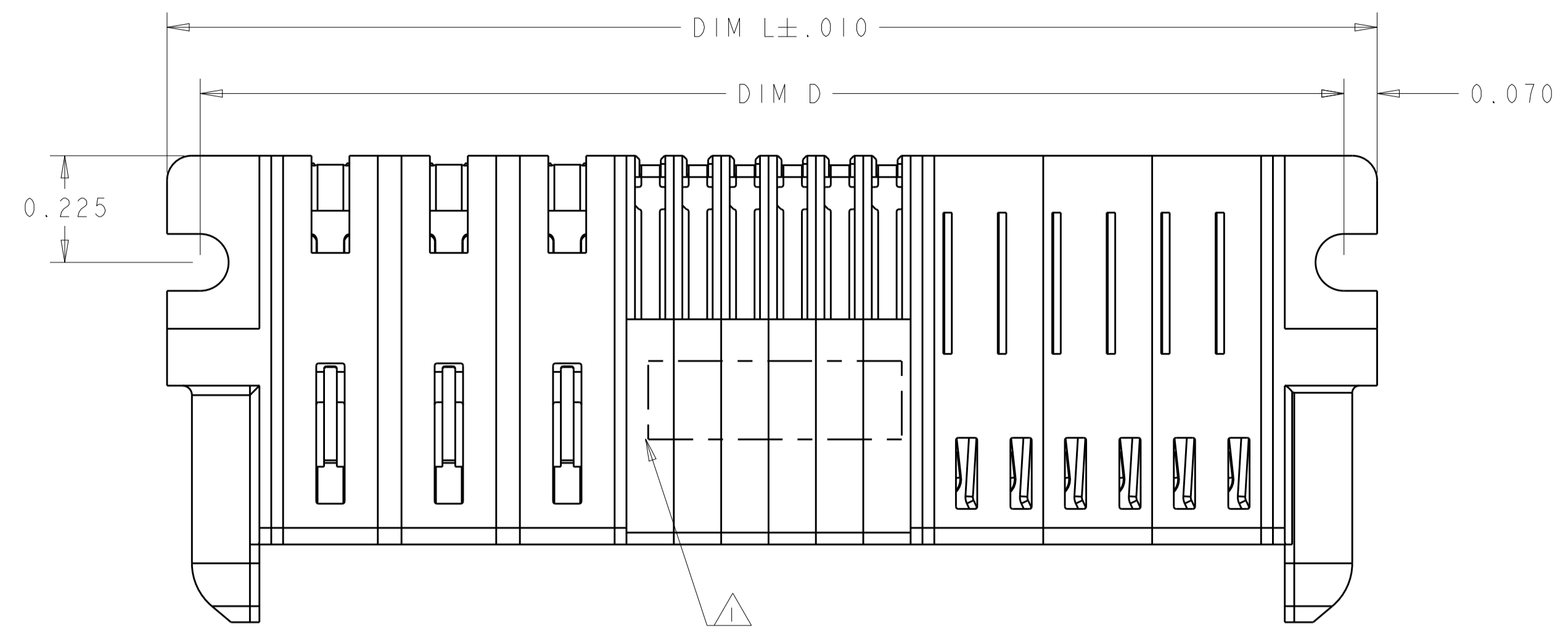
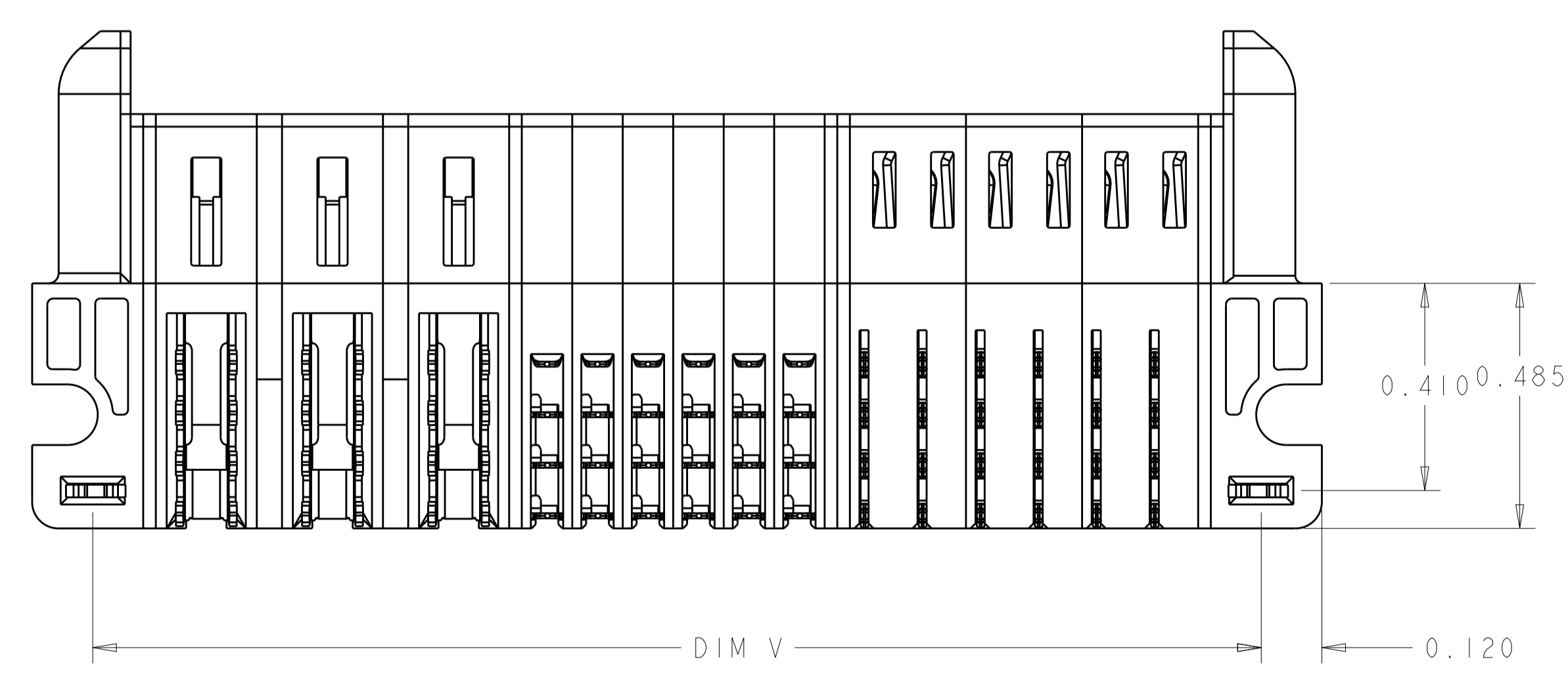
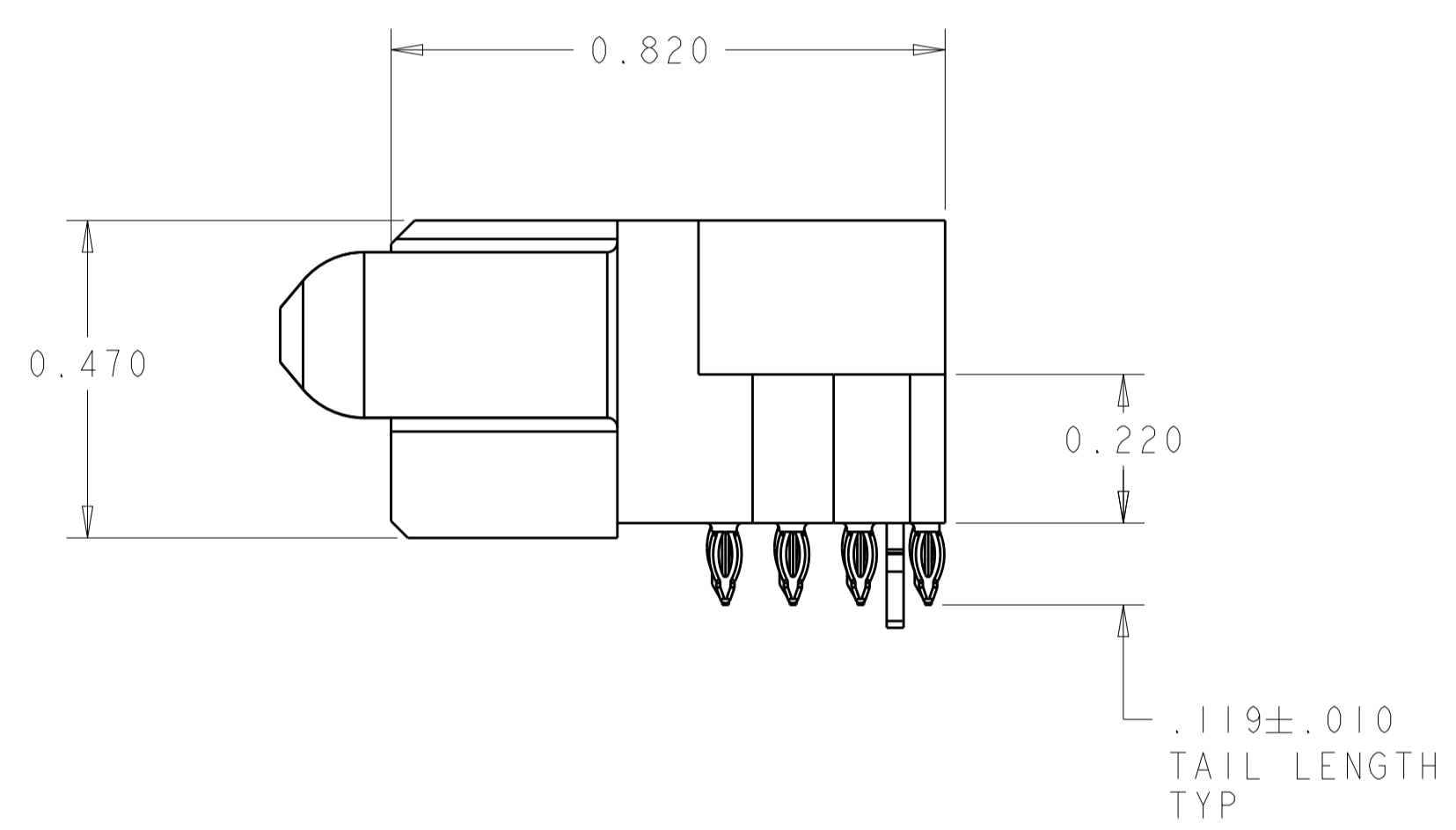
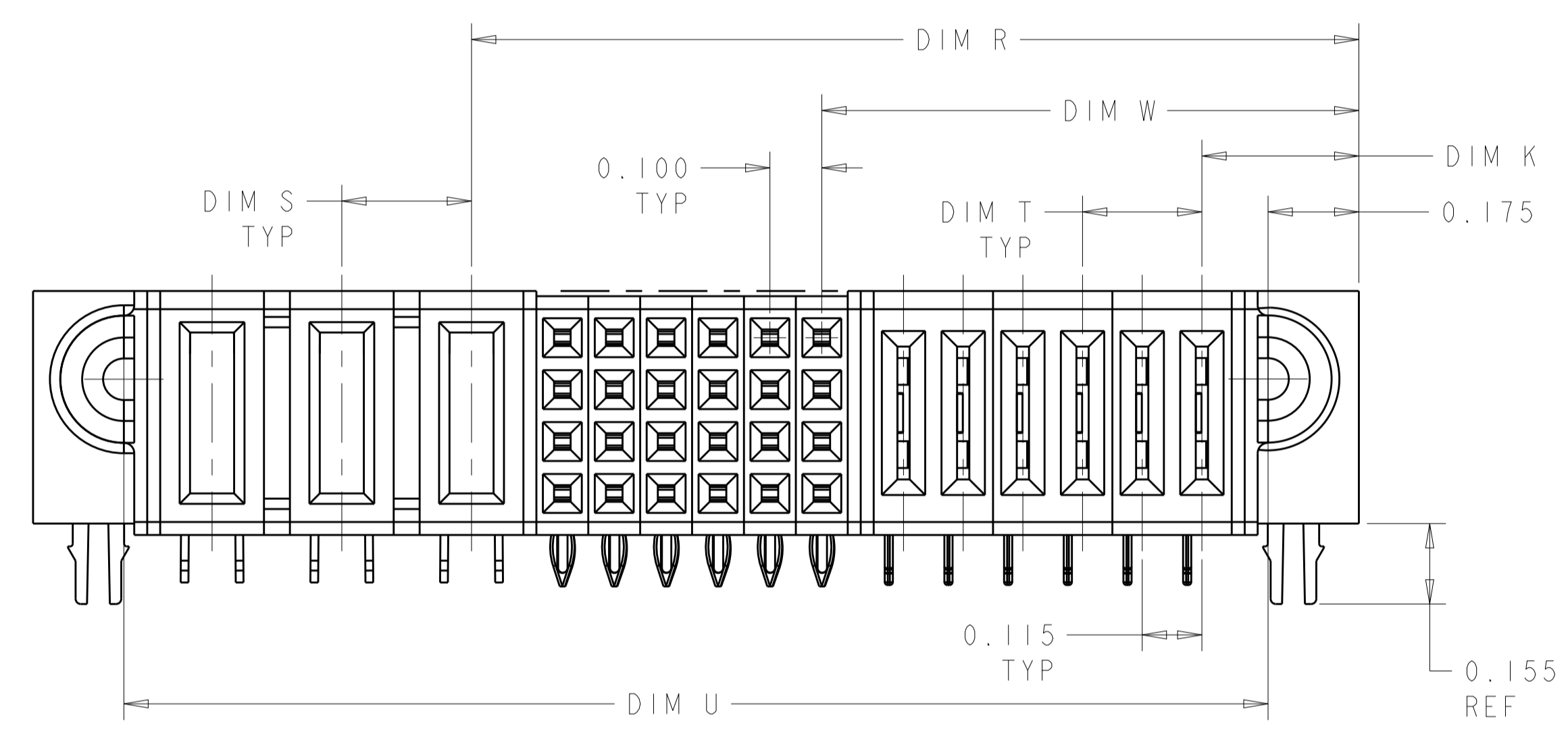


| LOC | | DIST | | REVISIONS | | | |
|-----|----|------|-----|-------------|------|-----|------|
| ES | 00 | P | LTN | DESCRIPTION | DATE | DMN | APVD |
| | | F5 | | REMOVED 2-8 | | | |



- △ "AMP", PART NUMBER, AND DATE CODE TO BE MARKED IN AREA SHOWN PARTS UNDER 2.000 MAY BE MARKED ON BOTH SIDES.
- △ MATERIAL: HOUSING - GLASS FILLED HIGH TEMP THERMO PLASTIC, UL94 V-0
SIGNAL CONTACT - COPPER ALLOY
POWER CONTACT - HIGH CONDUCTIVITY COPPER ALLOY
- △ CONTACT PLATING: NOBLE METAL PLATING ON CONTACT FUNCTIONAL AREA OF POWER AND SIGNAL CONTACTS
- △ MECHANICAL CONNECTOR KEEP OUT ZONE
- △ DATUM AND BASIC DIMENSIONS ESTABLISHED BY CUSTOMER
- △ PCB - ALL HOLE DIAMETERS ARE FINISHED HOLE SIZES
- △ PCB - .0453 ±.0010 DRILLED HOLE PLATED WITH .0003 MIN Sn OVER .001-.003 PLATING TO ACHIEVE A .040 HOLE
- △ FOR P/S/P, P/S/LP CONFIGURATION, PLEASE REFER TO SHEET 2
- △ CONTACTS LUBRICATED WITH HMI5 AFTER PLATING.



| .240 | .165 | 1.980 | 2.080 | 1.870 | 2.220 | 1.4225 | .990 | .2775 | 3LP + 16S + 4LP | 2-6450880-7 |
|-------|-------|-------|-------|-------|-------|--------|-------|-------|--------------------|-------------|
| .250 | .250 | 1.750 | 1.850 | 1.640 | 1.990 | 1.345 | .845 | .395 | 2P + 16S + 2P | 2-6450880-6 |
| .230 | .250 | - | 5.595 | 5.385 | 5.735 | 4.6025 | 3.345 | .370 | 12P + 48S + 12LP | 2-6450880-3 |
| - | - | .880 | .980 | .770 | 1.120 | .8425 | .435 | .2775 | 1LP + 16S + 1LP | 2-6450880-0 |
| .200 | .200 | 2.350 | 2.450 | 2.240 | 2.590 | 1.670 | 1.095 | .320 | 4HDP + 20S + 4HDP | 1-6450880-9 |
| .250 | .250 | 3.900 | 4.000 | 3.790 | 4.140 | 2.820 | 1.520 | .320 | 5P + 48S + 5P | 1-6450880-8 |
| .250 | .250 | 3.300 | 3.400 | 3.190 | 3.540 | 2.195 | 1.520 | .345 | 5P + 24S + 5P | 1-6450880-7 |
| .250 | .250 | 1.750 | 1.850 | 1.640 | 1.990 | 1.370 | .845 | .370 | 2P + 16S + 2P | 1-6450880-5 |
| .250 | .250 | 6.000 | 6.100 | 5.890 | 6.240 | 4.145 | 2.270 | .345 | 8P + 72S + 8P | 1-6450880-1 |
| - | - | .600 | .700 | .490 | .840 | - | .270 | - | 16S | 1-6450880-0 |
| .230 | .250 | 5.495 | 5.595 | 5.385 | 5.735 | 4.6025 | 3.345 | .370 | 12P+ 48S+ 8LP | 6450880-8 |
| .250 | .250 | 4.400 | 4.500 | 4.290 | 4.640 | 2.545 | 2.270 | .345 | 8P + 8S + 8P | 6450880-7 |
| .230 | - | 1.190 | 1.290 | 1.080 | 1.430 | - | 1.060 | .3775 | 6LP + 8S | 6450880-6 |
| - | - | 1.475 | 1.575 | 1.365 | 1.715 | 1.320 | .595 | .370 | 1P + 24S + 1P | 6450880-5 |
| .230 | .250 | - | 5.595 | 5.385 | 5.735 | 4.6025 | 3.345 | .370 | 12P+ 48S + 8LP | 6450880-4 |
| .300 | .200 | 5.150 | 5.250 | 5.040 | 5.390 | 2.845 | 1.520 | .370 | 4ACP + 48S + 12HDP | 6450880-3 |
| .230 | .250 | 2.315 | 2.415 | 2.205 | 2.555 | 1.710 | 1.035 | .3025 | 6LP + 24S + 3P | 6450880-1 |
| DIM T | DIM S | DIM V | DIM D | DIM U | DIM L | DIM R | DIM W | DIM K | DESCRIPTION | PART NUMBER |

THIS DRAWING IS A CONTROLLED DOCUMENT.

DMN: S. ZHAO 25MAY2007
CHK: S. ZHAO 25MAY2007
APVD: S. ZHAO 25MAY2007

DIMENSIONS: INCHES
TOLERANCES UNLESS OTHERWISE SPECIFIED:
0 PLC ±.1
1 PLC ±.01
2 PLC ±.005
3 PLC ±.002
4 PLC ±.002
ANGLES ±.002

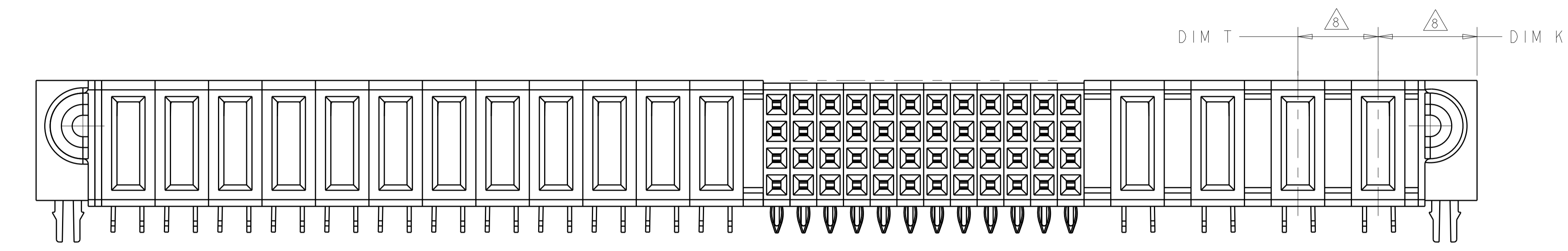
MATERIAL: 2
FINISH: -

PRODUCT SPEC: 108-2292
APPLICATION SPEC: 114-13251
WEIGHT: -
CUSTOMER DRAWING

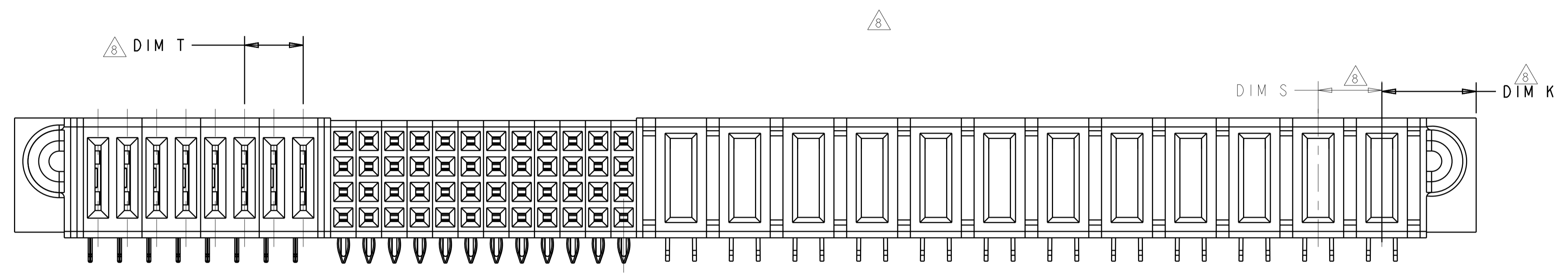
NAME: RIGHT ANGLE RECEPTACLE WITH LP CONTACT AND SHORT END MODULES MULTI-BEAM XLE
SIZE: A1
CAGE CODE: 6450880
SCALE: 4:1
SHEET: 13 OF 13
REV: F5

TE Connectivity

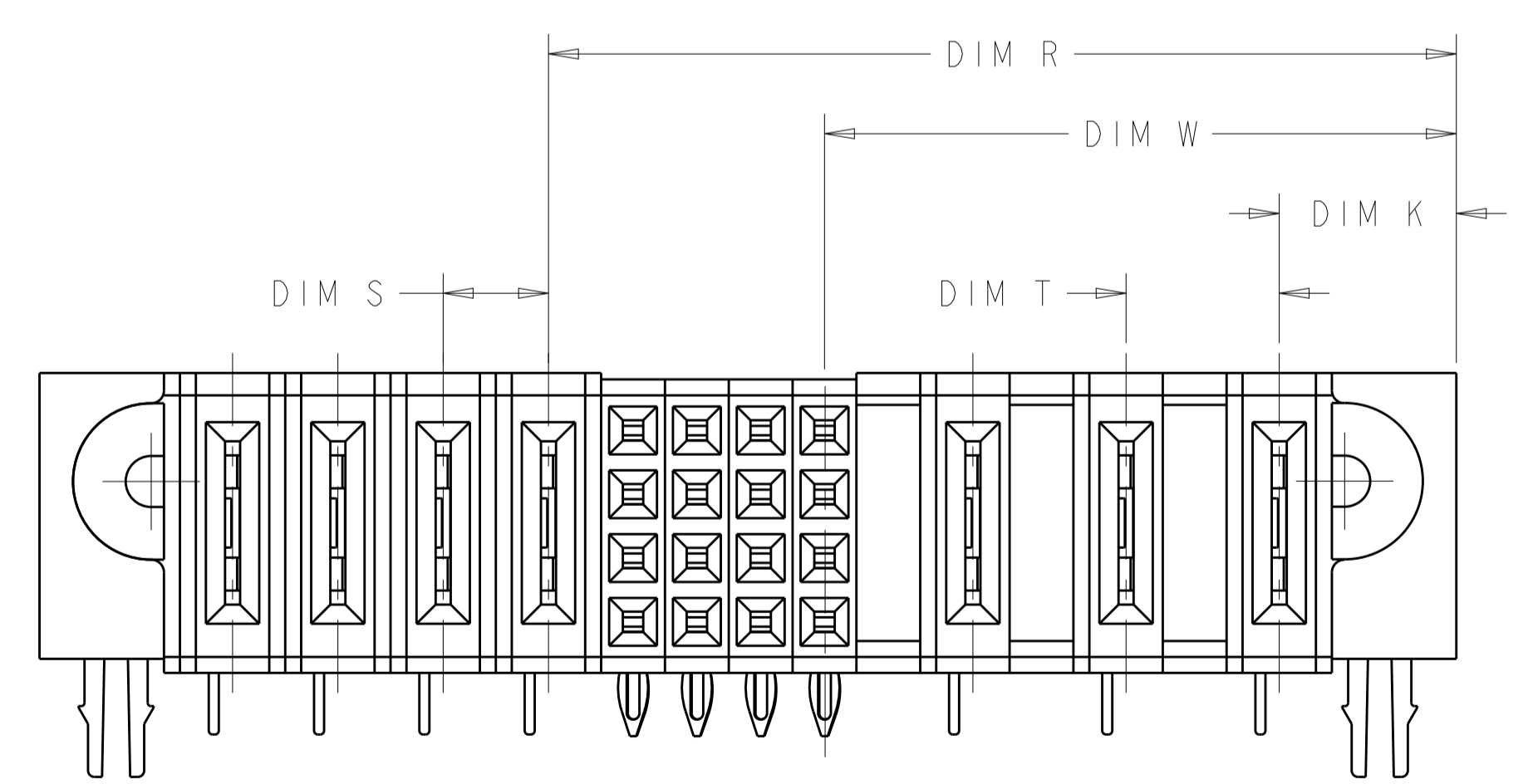
| LOC | DIST | REVISIONS | | | | | |
|-----|------|-----------|-----|-------------|------|-----|------|
| ES | 00 | P | LTN | DESCRIPTION | DATE | DWN | APVD |
| | | - | | SEE SHEET 1 | - | - | - |



PART NUMBER 6450880-3
 UNSPECIFIED DIM REFER TO SHEET 1
 SCALE 7:2



PART NUMBER 6450880-4, 2-6450880-3
 UNSPECIFIED DIM REFER TO SHEET 1
 SCALE 7:2

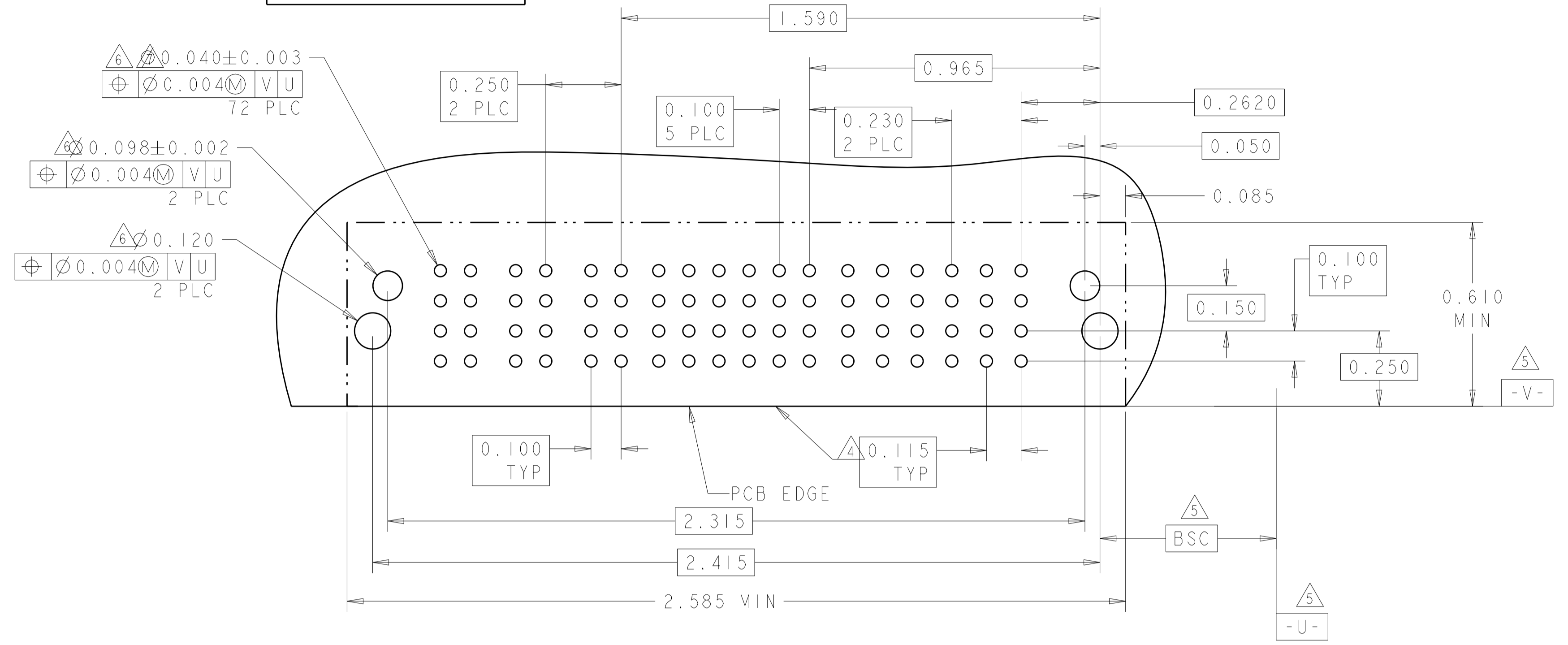


PART NUMBER 2-6450880-0, 2-6450880-7
 UNSPECIFIED DIM REFER TO SHEET 1
 FOR CONFIGURATION LP/S/LP

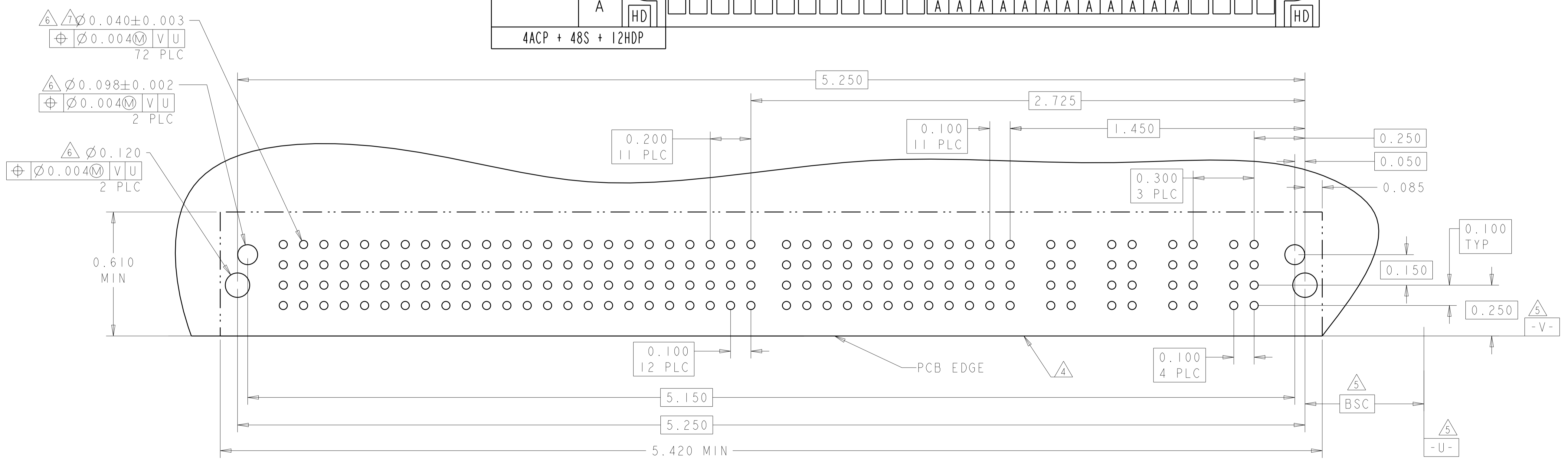
| | | | |
|--|------------------|---|---------------|
| THIS DRAWING IS A CONTROLLED DOCUMENT. | | DWN S. ZHAO 25MAY2007 | |
| DIMENSIONS: INCHES | | CHK S. ZHAO 25MAY2007 | |
| | | APVD S. ZHAO 25MAY2007 | |
| TOLERANCES UNLESS OTHERWISE SPECIFIED: 0 PLC ±.1 1 PLC ±.01 2 PLC ±.005 3 PLC ±.002 4 PLC ±.0020 ANGLES ±.2° FINISH | | NAME RIGHT ANGLE RECEPTACLE WITH LP CONTACT AND SHORT END MODULES MULTI-BEAM XLE PRODUCT SPEC 108-2292 APPLICATION SPEC 114-13251 WEIGHT SCALE 4:1 SHEET 2 OF 13 REV F5 | |
| MATERIAL | CUSTOMER DRAWING | SIZE CAGE CODE DRAWING NO. A100779C=6450880 | RESTRICTED TO |

| LOC | | DIST | | REVISIONS | | | |
|-----|----|------|-----|-------------|------|-----|------|
| ES | 00 | P | LTH | DESCRIPTION | DATE | DWN | APVD |
| | | - | | SEE SHEET 1 | | - | - |

| PART NUMBER | ROWS | POWER | | | | | | SIGNAL | | | | | | POWER | | | | | | |
|----------------|------------------|-------|----|----|---|---|---|--------|---|---|-----|-----|-----|-------|-----|-----|-----|-----|-----|-----|
| | | P3 | P2 | P1 | 6 | 5 | 4 | 3 | 2 | 1 | LP6 | LP5 | LP4 | LP3 | LP2 | LP1 | LP6 | LP5 | LP4 | LP3 |
| 6450880-1 | D C B A | RP | | | | | | RS | | | | | | LS | | | | | | |
| | | C | | | | | | D | | | | | | LS | | | | | | |
| | | B | | | | | | C | | | | | | LS | | | | | | |
| | | A | | | | | | D | | | | | | LS | | | | | | |
| 6LP + 24S + 3P | | | | | | | | | | | | | | | | | | | | |



| PART NUMBER | ROWS | POWER | | | | | | | | | | | | SIGNAL | | | | | | | | | | | | POWER | | | |
|--------------------|------------------|-------|-----|-----|-----|-----|-----|-----|----|----|----|----|----|--------|----|----|---|---|---|---|---|---|---|---|---|-------|----|----|----|
| | | P16 | P15 | P14 | P13 | P12 | P11 | P10 | P9 | P8 | P7 | P6 | P5 | 12 | 11 | 10 | 9 | 8 | 7 | 6 | 5 | 4 | 3 | 2 | 1 | P4 | P3 | P2 | P1 |
| 6450880-3 | D C B A | RS | | | | | | | | | | | | D | | | | | | | | | | | | RS | | | |
| | | C | | | | | | | | | | | | D | | | | | | | | | | | | RS | | | |
| | | B | | | | | | | | | | | | C | | | | | | | | | | | | RS | | | |
| | | A | | | | | | | | | | | | D | | | | | | | | | | | | RS | | | |
| 4ACP + 48S + 12HDP | | | | | | | | | | | | | | | | | | | | | | | | | | | | | |



| | |
|----------------------|------|
| SIGNAL CONTACT ROW D | D |
| SIGNAL CONTACT ROW C | C |
| SIGNAL CONTACT ROW B | B |
| SIGNAL CONTACT ROW A | A |
| STD LP CONTACT | LS |
| MFBL POWER CONTACT | RP |
| STD POWER CONTACT | RS |
| DESCRIPTION | CODE |

THIS DRAWING IS A CONTROLLED DOCUMENT.

DIMENSIONS: INCHES

TOLERANCES UNLESS OTHERWISE SPECIFIED:

| | |
|--------|-------------|
| 0 PLC | ±.01 |
| 1 PLC | ±.01 |
| 2 PLC | ±.01 |
| 3 PLC | ±.005 |
| 4 PLC | ±.002 |
| ANGLES | ±.002 |
| FINISH | AS SUPPLIED |

MATERIAL: -

DATE: 25MAY2007

DESIGNED BY: S. ZHAO

CHECKED BY: S. ZHAO

APPROVED BY: S. ZHAO

PRODUCT SPEC: 108-2292

APPLICATION SPEC: 114-13251

WEIGHT: -

CUSTOMER DRAWING

SCALE: 4:1

SHEET 3 OF 13

REV: F5

TE Connectivity

NAME: RIGHT ANGLE RECEPTACLE WITH LP CONTACT AND SHORT END MODULES MULTI-BEAM XLE

SIZE: A1

CAGE CODE: 6450880

| LOC | DIST | REVISIONS | | | | | |
|-----|------|-----------|-----|-------------|------|-----|------|
| | | P | LTN | DESCRIPTION | DATE | OWN | APVD |
| ES | 00 | - | - | SEE SHEET 1 | - | - | - |
| | | | | | | | |

| PART NUMBER | ROWS | POWER | | | | | | | | SIGNAL | | | | | | | | | | | | POWER | | | | | | | | | | | |
|-------------|------|-------|-----|-----|-----|-----|-----|-----|-----|--------|----|----|---|---|---|---|---|---|---|---|---|-------|-----|-----|----|----|----|----|----|----|----|----|----|
| | | LP8 | LP7 | LP6 | LP5 | LP4 | LP3 | LP2 | LP1 | I2 | I1 | I0 | 9 | 8 | 7 | 6 | 5 | 4 | 3 | 2 | 1 | PI2 | PI1 | PI0 | P9 | P8 | P7 | P6 | P5 | P4 | P3 | P2 | PI |
| 6450880-4 | D | | | | | | | | | D | D | D | D | D | D | D | D | D | D | D | D | | | | | | | | | | | | |
| | C | LS | LS | LS | LS | LS | LS | LS | LS | C | C | C | C | C | C | C | C | C | C | C | C | RS | RS | RS | RS | RS | RS | RS | RS | RS | RS | RS | |
| | B | | | | | | | | | B | B | B | B | B | B | B | B | B | B | B | B | | | | | | | | | | | | |
| | A | | | | | | | | | A | A | A | A | A | A | A | A | A | A | A | A | | | | | | | | | | | | |

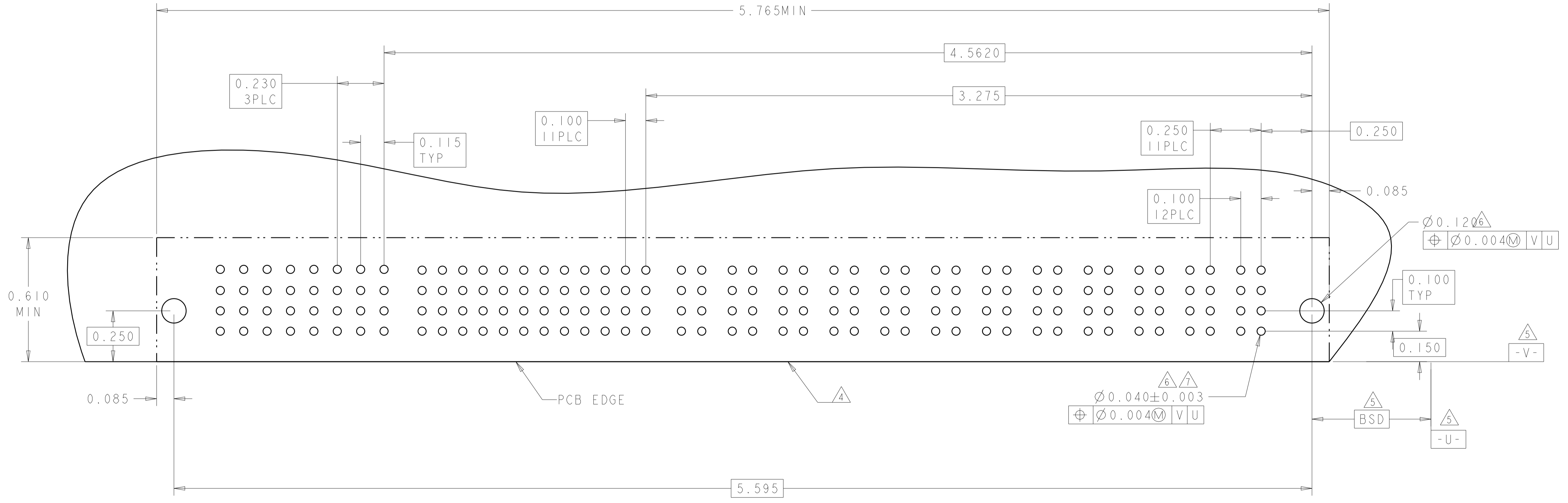
12P + 48S + 8LP

| PART NUMBER | ROWS | POWER | | | | | | | | SIGNAL | | | | | | | | | | | | POWER | | | | | | | | | | | |
|-------------|------|-------|-----|-----|-----|-----|-----|-----|-----|--------|----|----|---|---|---|---|---|---|---|---|---|-------|-----|-----|----|----|----|----|----|----|----|----|----|
| | | LP8 | LP7 | LP6 | LP5 | LP4 | LP3 | LP2 | LP1 | I2 | I1 | I0 | 9 | 8 | 7 | 6 | 5 | 4 | 3 | 2 | 1 | PI2 | PI1 | PI0 | P9 | P8 | P7 | P6 | P5 | P4 | P3 | P2 | PI |
| 6450880-8 | D | | | | | | | | | D | D | D | D | D | D | D | D | D | D | D | D | | | | | | | | | | | | |
| | C | LS | LS | LS | LS | LS | LS | LS | LS | C | C | C | C | C | C | C | C | C | C | C | C | RS | RS | RS | RS | RS | RS | RS | RS | RS | RS | RS | |
| | B | | | | | | | | | B | B | B | B | B | B | B | B | B | B | B | B | | | | | | | | | | | | |
| | A | | | | | | | | | A | A | A | A | A | A | A | A | A | A | A | A | | | | | | | | | | | | |

12P + 48S + 8LP

| PART NUMBER | ROWS | POWER | | | | | | | | SIGNAL | | | | | | | | | | | | POWER | | | | | | | | | | | |
|-------------|------|-------|-----|-----|-----|-----|-----|-----|-----|--------|----|----|---|---|---|---|---|---|---|---|---|-------|-----|-----|----|----|----|----|----|----|----|----|----|
| | | LP8 | LP7 | LP6 | LP5 | LP4 | LP3 | LP2 | LP1 | I2 | I1 | I0 | 9 | 8 | 7 | 6 | 5 | 4 | 3 | 2 | 1 | PI2 | PI1 | PI0 | P9 | P8 | P7 | P6 | P5 | P4 | P3 | P2 | PI |
| 2-6450880-3 | D | | | | | | | | | D | D | D | D | D | D | D | D | D | D | D | D | | | | | | | | | | | | |
| | C | LS | LS | LS | LS | LS | LS | LS | LS | C | C | C | C | C | C | C | C | C | C | C | C | RS | RS | RS | RS | RS | RS | RS | RS | RS | RS | RS | |
| | B | | | | | | | | | B | B | B | B | B | B | B | B | B | B | B | B | | | | | | | | | | | | |
| | A | | | | | | | | | A | A | A | A | A | A | A | A | A | A | A | A | | | | | | | | | | | | |

12P + 48S + 8LP



PCB LAYOUT FOR P/N: 6450880-4 ; 6450880-8 AND 2-6450880-3

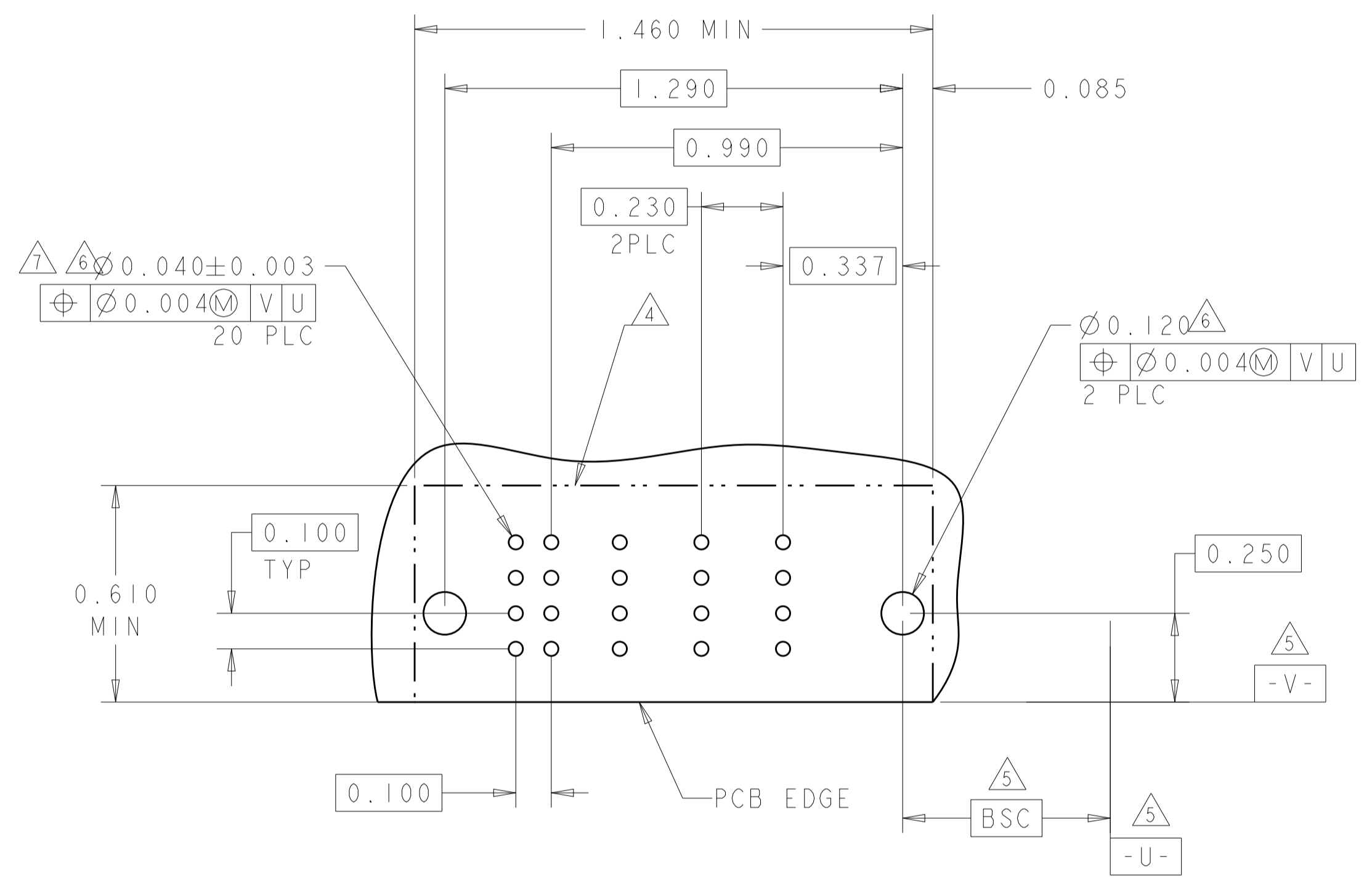
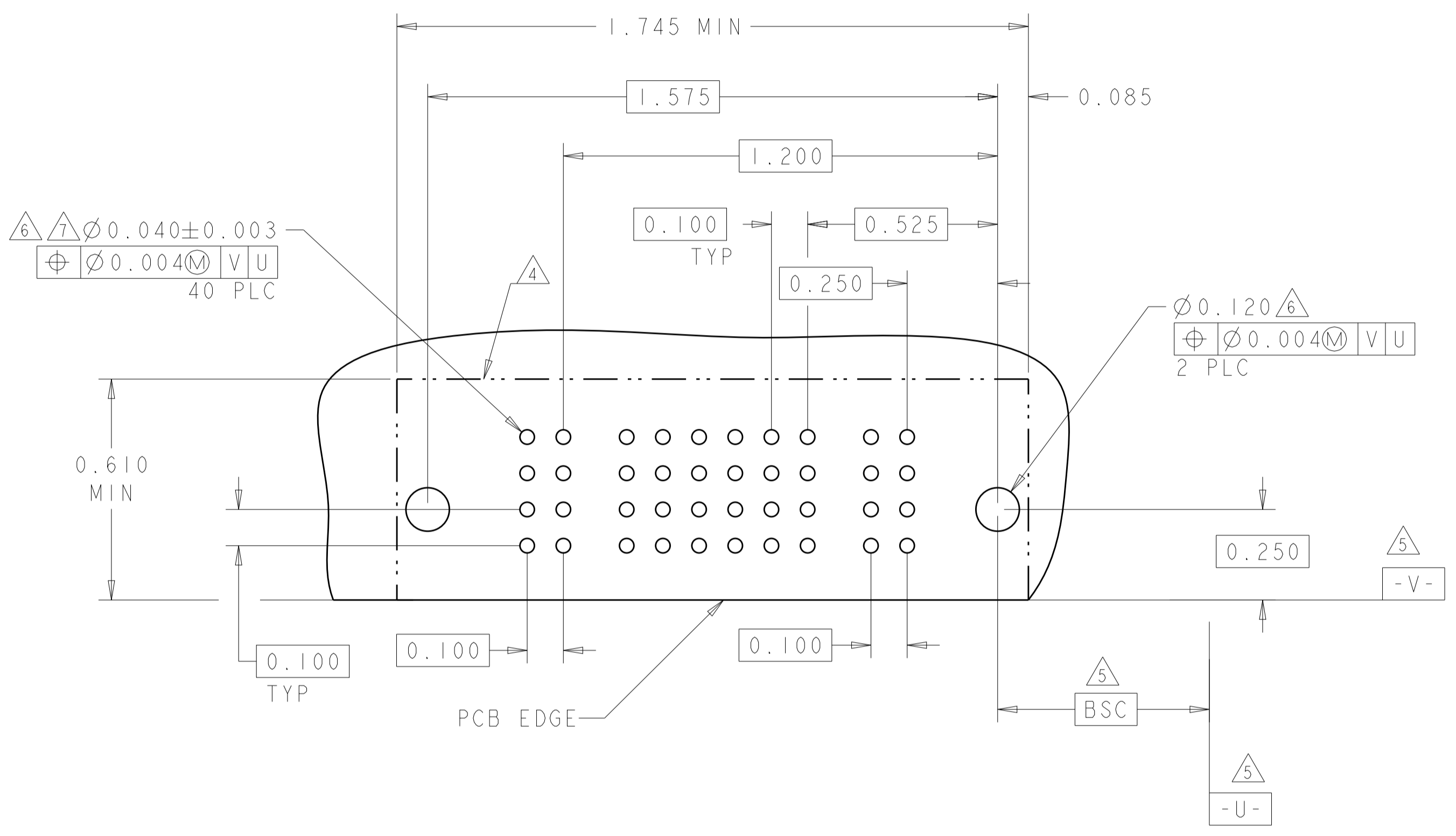
| | | | |
|--|--|------------------------|---|
| THIS DRAWING IS A CONTROLLED DOCUMENT. | | OWN S. ZHAO 25MAY2007 | TE Connectivity |
| DIMENSIONS: INCHES | | CHK S. ZHAO 25MAY2007 | |
| | | APVD S. ZHAO 25MAY2007 | |
| TOLERANCES UNLESS OTHERWISE SPECIFIED: | | PRODUCT SPEC | NAME |
| 0 PLC ±.1 | | 108-2292 | RIGHT ANGLE RECEPTACLE WITH LP CONTACT AND SHORT END MODULES MULTI-BEAM XLE |
| 1 PLC ±.01 | | APPLICATION SPEC | SIZE |
| 2 PLC ±.005 | | 114-13251 | A100779 |
| 3 PLC ±.002 | | WEIGHT | C=6450880 |
| 4 PLC ±.0020 | | RESTRICTED TO | - |
| ANGLES ±.0020 | | CUSTOMER DRAWING | SCALE 4:1 SHEET 4 OF 13 REV F5 |
| FINISH | | | |

| LOC | DIST | REV | DATE | BY | APPV |
|-----|------|-----|------|----|------|
| ES | 00 | | | | |

| REVISIONS | | DATE | BY | APPV |
|-----------|-------------|------|----|------|
| - | SEE SHEET 1 | - | - | - |

| PART NUMBER | ROWS | POWER | | SIGNAL | | | | | | POWER | | |
|---------------|------|-------|----|--------|---|---|---|---|---|-------|----|----|
| | | P2 | P1 | 6 | 5 | 4 | 3 | 2 | 1 | P2 | P1 | |
| 6450880-5 | D | RS | RS | D | D | D | D | D | D | D | RS | RS |
| | C | | | C | C | C | C | C | | | | |
| | B | | | B | B | B | B | B | | | | |
| | A | | | A | A | A | A | A | | | | |
| IP + 24S + IP | | | | | | | | | | | | |

| PART NUMBER | ROWS | SIGNAL | | POWER | | | | | |
|-------------|------|--------|---|-------|-----|-----|-----|-----|-----|
| | | 2 | 1 | LP6 | LP5 | LP4 | LP3 | LP2 | LP1 |
| 6450880-6 | D | D | D | LS | LS | LS | LS | LS | LS |
| | C | C | | | | | | | |
| | B | B | | | | | | | |
| | A | A | | | | | | | |
| 6LP + 8S | | | | | | | | | |



THIS DRAWING IS A CONTROLLED DOCUMENT.

| | | |
|---------------|-----------|--|
| DWN: S. ZHAO | 25MAY2007 | |
| CHK: S. ZHAO | 25MAY2007 | |
| APPV: S. ZHAO | 25MAY2007 | |
| NAME: S. ZHAO | 25MAY2007 | |

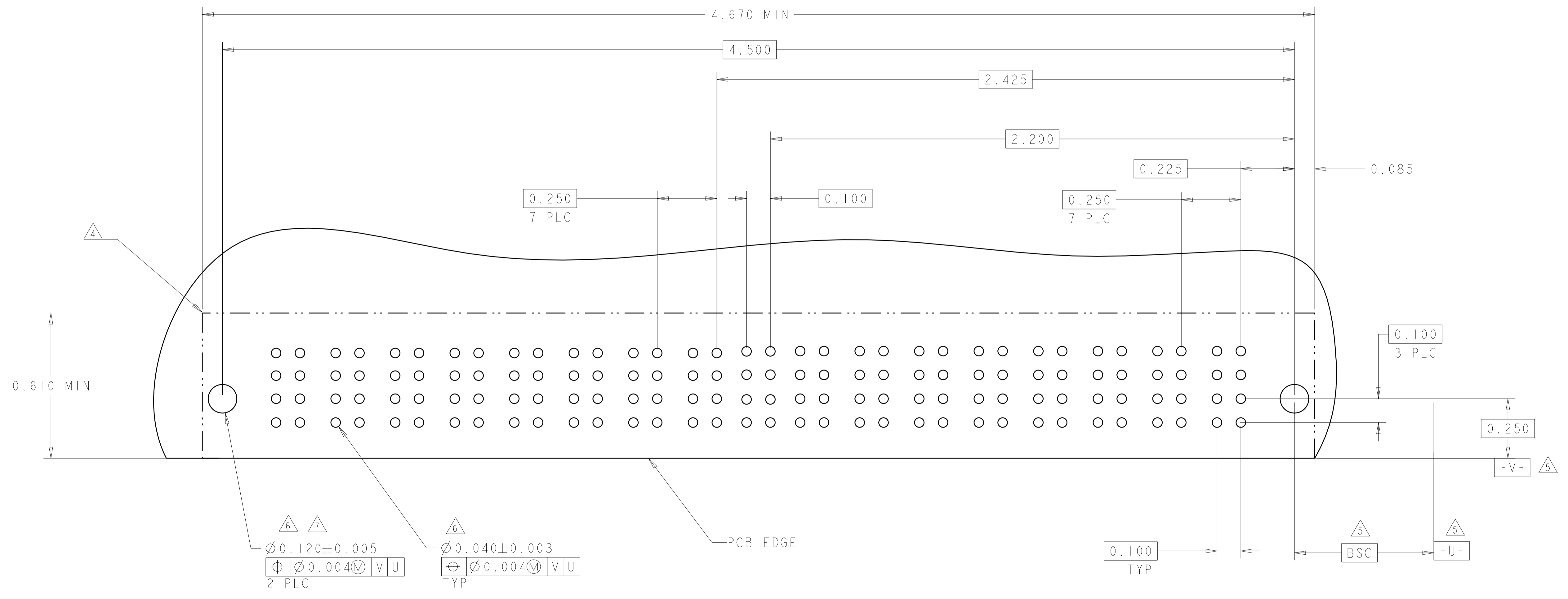
RIGHT ANGLE RECEPTACLE WITH LP CONTACT AND SHORT END MODULES MULTI-BEAM XLE

| | | | |
|-----------------------------|------------|-------------------|---------------------|
| PRODUCT SPEC: 108-2292 | SIZE: A1 | CAGE CODE: 100779 | DRAWING NO: 6450880 |
| APPLICATION SPEC: 114-13251 | SCALE: 4:1 | SHEET: 5 | OF: 13 |
| WEIGHT: - | REV: F5 | CUSTOMER DRAWING | |

| LOC | | DIST | | REVISIONS | | | |
|-----|----|------|-----|-------------|------|-----|------|
| ES | 00 | P | LTH | DESCRIPTION | DATE | DWN | APVD |
| | | - | | SEE SHEET 1 | | | |

| PART NUMBER | ROWS | POWER | | | | | | | | | SIGNAL | | POWER | | | | | | | | |
|--------------|------------------|-------|-----|-----|-----|-----|-----|-----|----|----|--------|----|-------|----|----|----|----|----|----|----|--|
| | | P16 | P15 | P14 | P13 | P12 | P11 | P10 | P9 | 2 | 1 | P8 | P7 | P6 | P5 | P4 | P3 | P2 | P1 | | |
| 6450880-7 | D C B A | RS | RS | RS | RS | RS | RS | RS | RS | RS | D | D | RS | RS | RS | RS | RS | RS | RS | RS | |
| | | | | | | | | | | | C | C | | | | | | | | | |
| | | | | | | | | | | | | B | B | | | | | | | | |
| | | | | | | | | | | | | A | A | | | | | | | | |
| 8P + 8S + 8P | | | | | | | | | | | | | | | | | | | | | |

DI



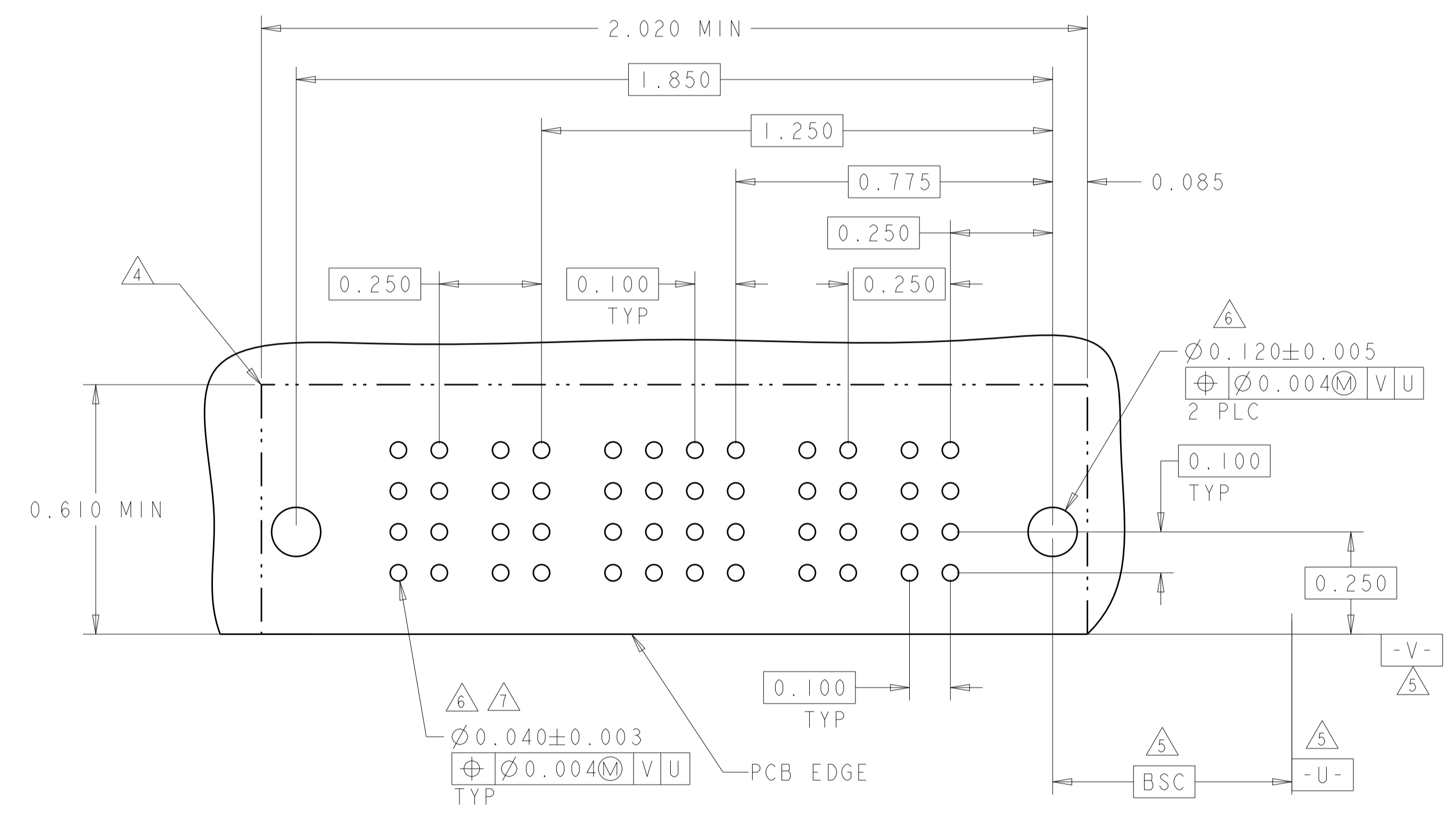
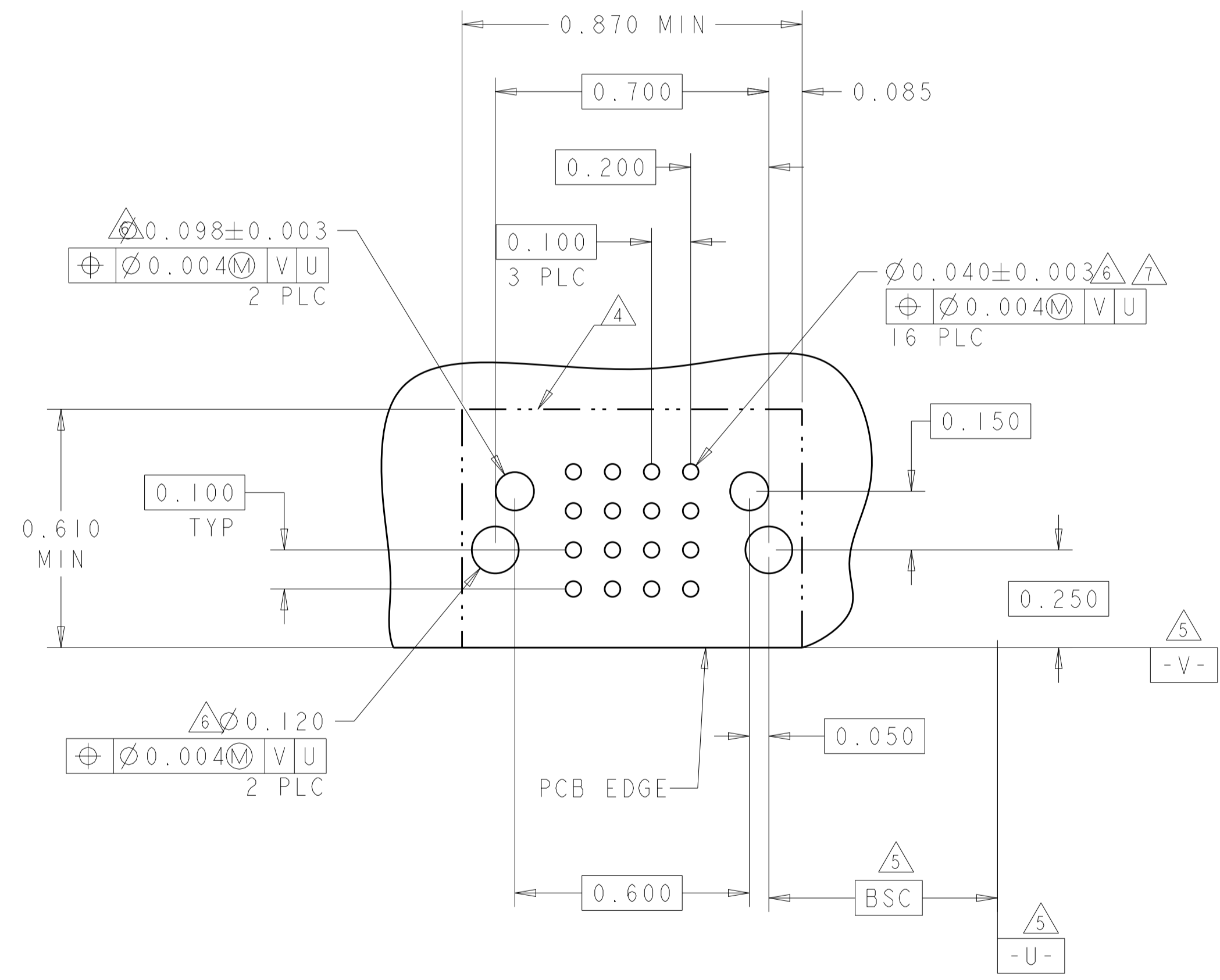
THIS DRAWING IS A CONTROLLED DOCUMENT.

| | | |
|--|-----------------------------|--|
| DWN: S. ZHAO | 25MAY2007 | TE Connectivity NAME: RIGHT ANGLE RECEPTACLE WITH LP CONTACT AND SHORT END MODULES MULTI-BEAM XLE SIZE: CAGE CODE DRAWING NO: A100779C=6450880 RESTRICTED TO: |
| CHK: S. ZHAO | 25MAY2007 | |
| APPV: S. ZHAO | 25MAY2007 | |
| PRODUCT SPEC: 108-2292 | APPLICATION SPEC: 114-13251 | |
| DIMENSIONS: INCHES | | WEIGHT: - |
| TOLERANCES UNLESS OTHERWISE SPECIFIED: | | SCALE: 4:1 |
| 0 PLC ±.1 | 1 PLC ±.01 | SHEET 6 OF 13 |
| 2 PLC ±.01 | 3 PLC ±.005 | REV: F5 |
| 4 PLC ±.0020 | ANGLES ±.0020 | |
| MATERIAL: - | | |
| FINISH: - | | |
| CUSTOMER DRAWING | | |

| LOC | DIST | REVISIONS | | | |
|-----|------|-------------|------|-----|------|
| P | LTN | DESCRIPTION | DATE | DMN | APVD |
| ES | 00 | SEE SHEET 1 | - | - | - |

| PART NUMBER | ROWS | SIGNAL | | | |
|-------------|------|--------|---|---|----|
| | | 4 | 3 | 2 | 1 |
| I-6450880-0 | D | D | D | D | D |
| | C | C | C | C | C |
| | B | B | B | B | B |
| | A | A | A | A | A |
| 16S | | HD | | | HD |

| PART NUMBER | ROWS | POWER | | SIGNAL | | | | POWER | |
|---------------|------|-------|----|--------|---|---|---|-------|----|
| | | P4 | P3 | 4 | 3 | 2 | 1 | P2 | P1 |
| I-6450880-5 | D | RS | RS | D | D | D | D | RS | RS |
| | C | | | C | C | C | | | |
| | B | | | B | B | B | | | |
| | A | | | A | A | A | | | |
| 2P + 16S + 2P | | | | | | | | | |



THIS DRAWING IS A CONTROLLED DOCUMENT.

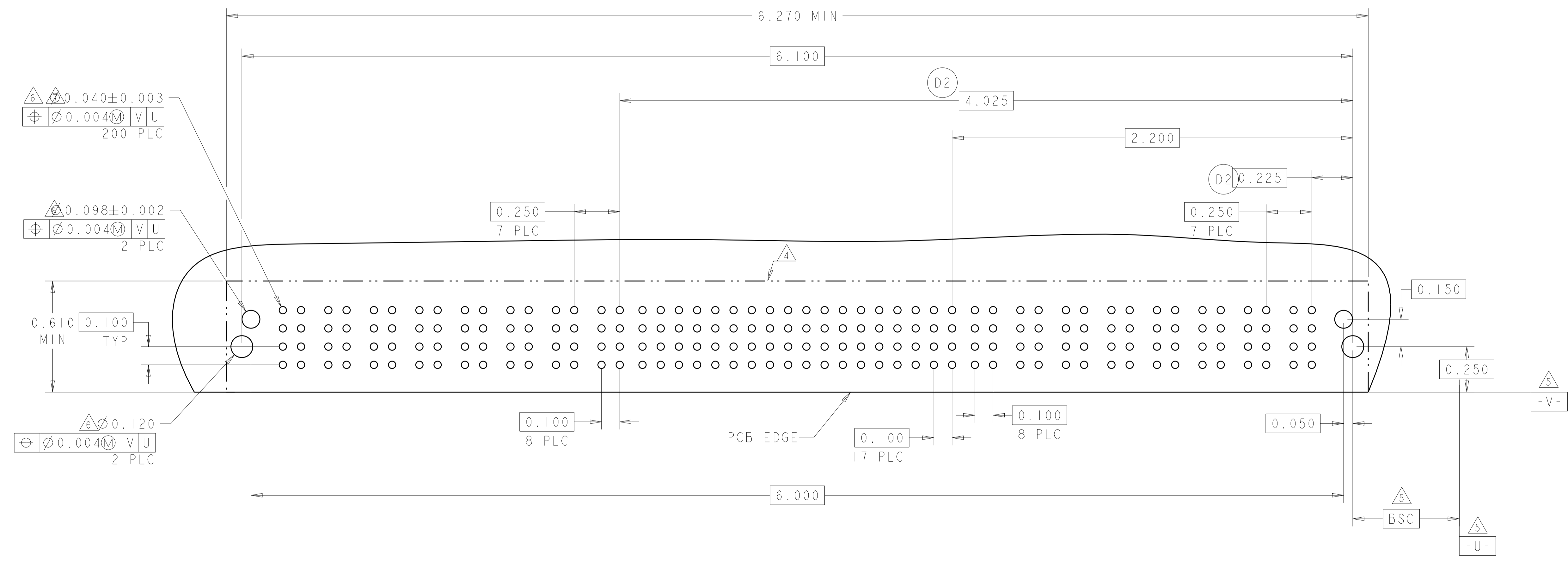
| | | | | |
|--------------------|--|------------------------|------------------------|-------------------------|
| DIMENSIONS: INCHES | TOLERANCES UNLESS OTHERWISE SPECIFIED: | DMN: S. ZHAO 25MAY2007 | CHK: S. ZHAO 25MAY2007 | APVD: S. ZHAO 25MAY2007 |
| 0 PLC ±.1 | 1 PLC ±.01 | PRODUCT SPEC | 108-2292 | APPLICATION SPEC |
| 2 PLC ±.005 | 3 PLC ±.0020 | ANGLES | 114-13251 | WEIGHT |
| MATERIAL | FINISH | CUSTOMER DRAWING | SCALE 4:1 | SHEET 7 OF 13 |

RIGHT ANGLE RECEPTACLE WITH LP CONTACT AND SHORT END MODULES MULTI-BEAM XLE

SIZE: A1 CAGE CODE: 00779 DRAWING NO: 6450880

RESTRICTED TO: REV: F5

| PART NUMBER | ROWS | POWER | | | | | | | SIGNAL | | | | | | | | | | | | | | | | | POWER | | | | | | | | | | | | | | | | | | | | | | | | |
|---------------|------|-------|-----|-----|-----|-----|-----|-----|--------|----|----|----|----|----|----|----|----|----|---|---|---|---|---|---|---|-------|---|----|----|----|----|----|----|----|----|----|----|----|----|----|---|---|---|---|---|---|---|---|---|---|
| | | P16 | P15 | P14 | P13 | P12 | P11 | P10 | P9 | 18 | 17 | 16 | 15 | 14 | 13 | 12 | 11 | 10 | 9 | 8 | 7 | 6 | 5 | 4 | 3 | 2 | 1 | P8 | P7 | P6 | P5 | P4 | P3 | P2 | P1 | | | | | | | | | | | | | | | |
| I-6450880-1 | D | RP | RS | RS | RS | RS | RS | RS | D | D | D | D | D | D | D | D | D | D | D | D | D | D | D | D | D | D | D | D | D | D | D | D | RS | RS | RS | RS | RS | RS | RS | RP | | | | | | | | | | |
| | C | | | | | | | | C | C | C | C | C | C | C | C | C | C | C | C | C | C | C | C | C | C | C | C | C | C | C | C | | | | | | | | | C | C | C | C | C | C | C | C | | |
| | B | | | | | | | | B | B | B | B | B | B | B | B | B | B | B | B | B | B | B | B | B | B | B | B | B | B | B | B | | | | | | | | | B | B | B | B | B | B | B | B | B | B |
| | A | | | | | | | | HD | A | A | A | A | A | A | A | A | A | A | A | A | A | A | A | A | A | A | A | A | A | A | A | | | | | | | | | A | A | A | A | A | A | A | A | A | A |
| 8P + 72S + 8P | | | | | | | | | | | | | | | | | | | | | | | | | | | | | | | | | | | | | | | | | | | | | | | | | | |



THIS DRAWING IS A CONTROLLED DOCUMENT. DWN: S. ZHAO, 25MAY2007. CHK: S. ZHAO, 25MAY2007. APVD: S. ZHAO, 25MAY2007.

DIMENSIONS: INCHES. TOLERANCES UNLESS OTHERWISE SPECIFIED:
 0 PLC ±.
 1 PLC ±.1
 2 PLC ±.01
 3 PLC ±.005
 4 PLC ±.002
 ANGLES ±0°
 FINISH

PRODUCT SPEC: 108-2292
 APPLICATION SPEC: 114-13251
 WEIGHT: -

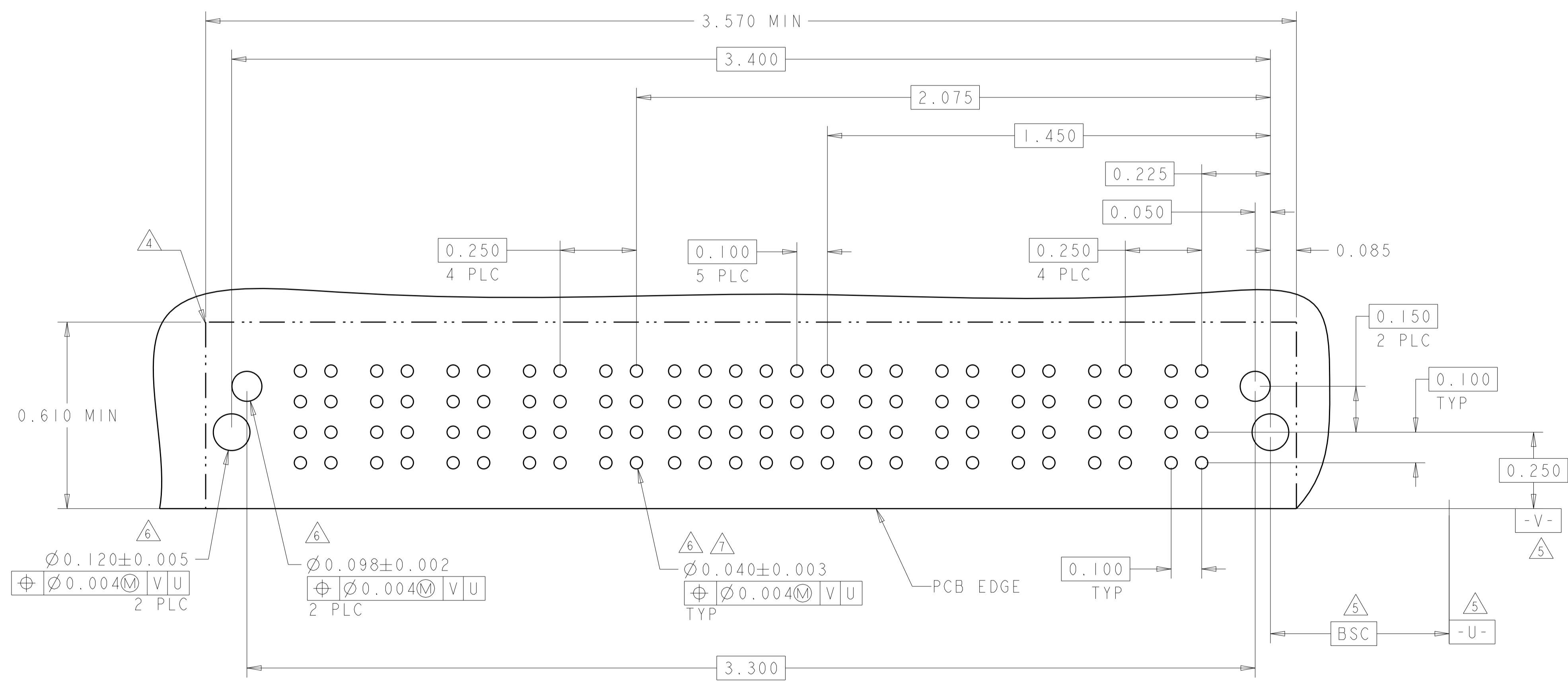
NAME: RIGHT ANGLE RECEPTACLE WITH LP CONTACT AND SHORT END MODULES MULTI-BEAM XLE
 SIZE: A100779 C=6450880
 CUSTOMER DRAWING

TE Connectivity

SCALE: 4:1 SHEET: 8 OF 13 REV: F5

| LOC | DIST | REVISIONS | | | | | |
|-----|------|-----------|-----|-------------|------|-----|------|
| | | P | LTN | DESCRIPTION | DATE | DMN | APVD |
| ES | 00 | - | - | SEE SHEET 1 | - | - | - |

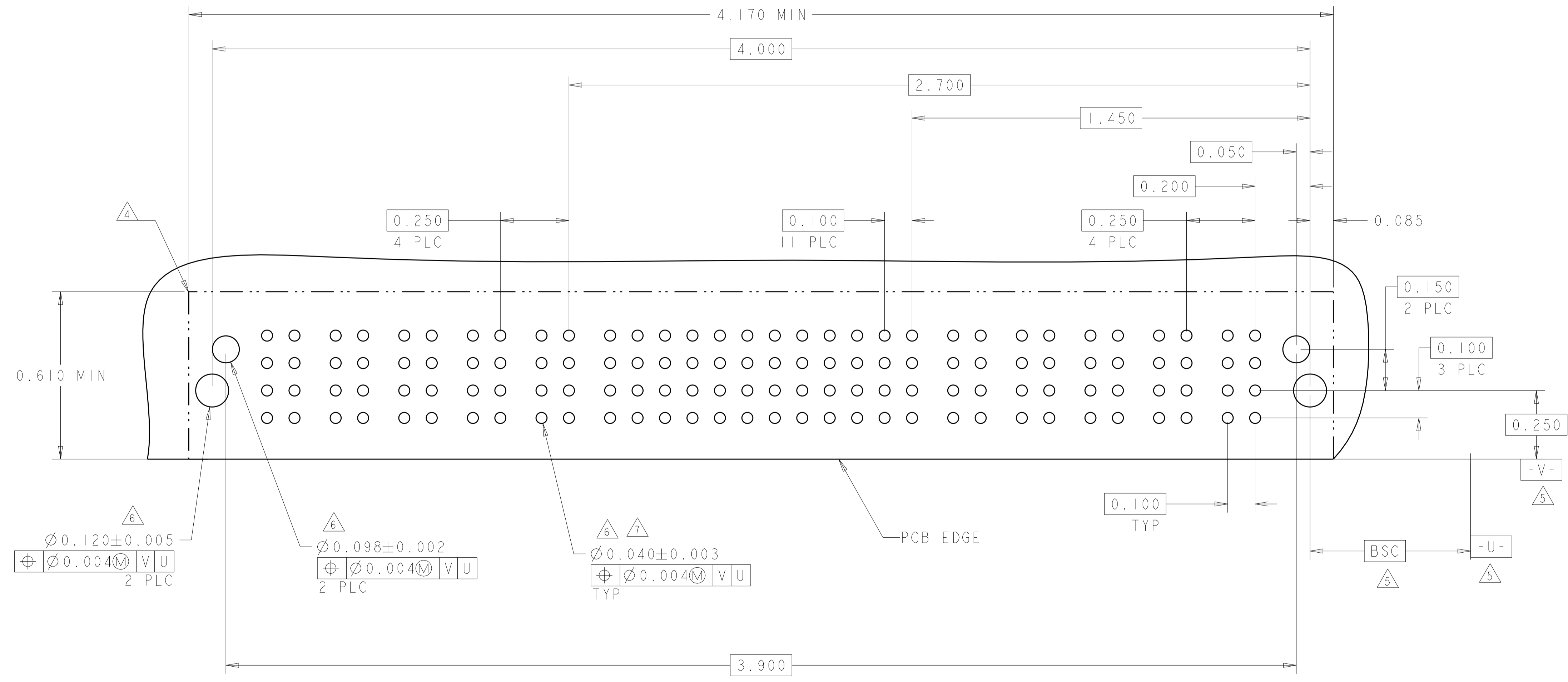
| PART NUMBER | ROWS | POWER | | | | | SIGNAL | | | | | | POWER | | | | |
|---------------|------|-------|----|----|----|----|--------|---|---|---|---|---|-------|----|----|----|----|
| | | P10 | P9 | P8 | P7 | P6 | 6 | 5 | 4 | 3 | 2 | 1 | P5 | P4 | P3 | P2 | P1 |
| 1-6450880-7 | D | RS | RS | RS | RS | RS | D | D | D | D | D | D | RS | RS | RS | RS | RS |
| | C | | | | | | C | C | C | C | C | | | | | | |
| | B | | | | | | B | B | B | B | B | | | | | | |
| | A | | | | | | A | A | A | A | A | | | | | | |
| 5P + 24S + 5P | | | | | | | | | | | | | | | | | |



| | | | |
|--|-------------|------------------------|---|
| THIS DRAWING IS A CONTROLLED DOCUMENT. | | DMN S. ZHAO 25MAY2007 | |
| DIMENSIONS: INCHES | | CHK S. ZHAO 25MAY2007 | |
| TOLERANCES UNLESS OTHERWISE SPECIFIED: | | APVD S. ZHAO 25MAY2007 | NAME |
| 0 PLC ±.1 | 1 PLC ±.01 | PRODUCT SPEC | RIGHT ANGLE RECEPTACLE WITH LP CONTACT AND SHORT END MODULES MULTI-BEAM XLE |
| 2 PLC ±.01 | 3 PLC ±.005 | APPLICATION SPEC | SIZE CAGE CODE DRAWING NO |
| 4 PLC ±.0020 | ANGLES ±.2° | 114-13251 | A100779C=6450880 |
| MATERIAL | FINISH | WEIGHT | RESTRICTED TO |
| | | | CUSTOMER DRAWING |
| | | SCALE 4:1 | SHEET 9 OF 13 |
| | | REV F5 | |

| LOC | DIST | REVISIONS | | | | | |
|-----|------|-----------|-----|-------------|------|-----|------|
| | | P | LTN | DESCRIPTION | DATE | DWN | APVD |
| ES | 00 | - | - | SEE SHEET 1 | - | - | - |

| PART NUMBER | ROWS | POWER | | | | | SIGNAL | | | | | | | | | | POWER | | | | | | | | | | |
|---------------|------------------|-------|----|----|----|----|--------|----|----|---|---|---|---|---|---|---|-------|---|----|----|----|----|----|----|---|---|---|
| | | P10 | P9 | P8 | P7 | P6 | 12 | 11 | 10 | 9 | 8 | 7 | 6 | 5 | 4 | 3 | 2 | 1 | P5 | P4 | P3 | P2 | P1 | | | | |
| I-6450880-8 | D C B A | RS | RS | RS | RS | RS | D | D | D | D | D | D | D | D | D | D | D | D | D | RS | RS | RS | RS | RS | | | |
| | | | | | | | C | C | C | C | C | C | C | C | C | C | C | C | C | | | | | | C | C | |
| | | | | | | | B | B | B | B | B | B | B | B | B | B | B | B | B | | | | | | B | B | B |
| | | | | | | | A | A | A | A | A | A | A | A | A | A | A | A | A | | | | | | A | A | A |
| 5P + 48S + 5P | | | | | | | | | | | | | | | | | | | | | | | | | | | |



THIS DRAWING IS A CONTROLLED DOCUMENT.

| | | |
|------|---------|-----------|
| DWN | S. ZHAO | 25MAY2007 |
| CHK | S. ZHAO | 25MAY2007 |
| APPD | S. ZHAO | 25MAY2007 |

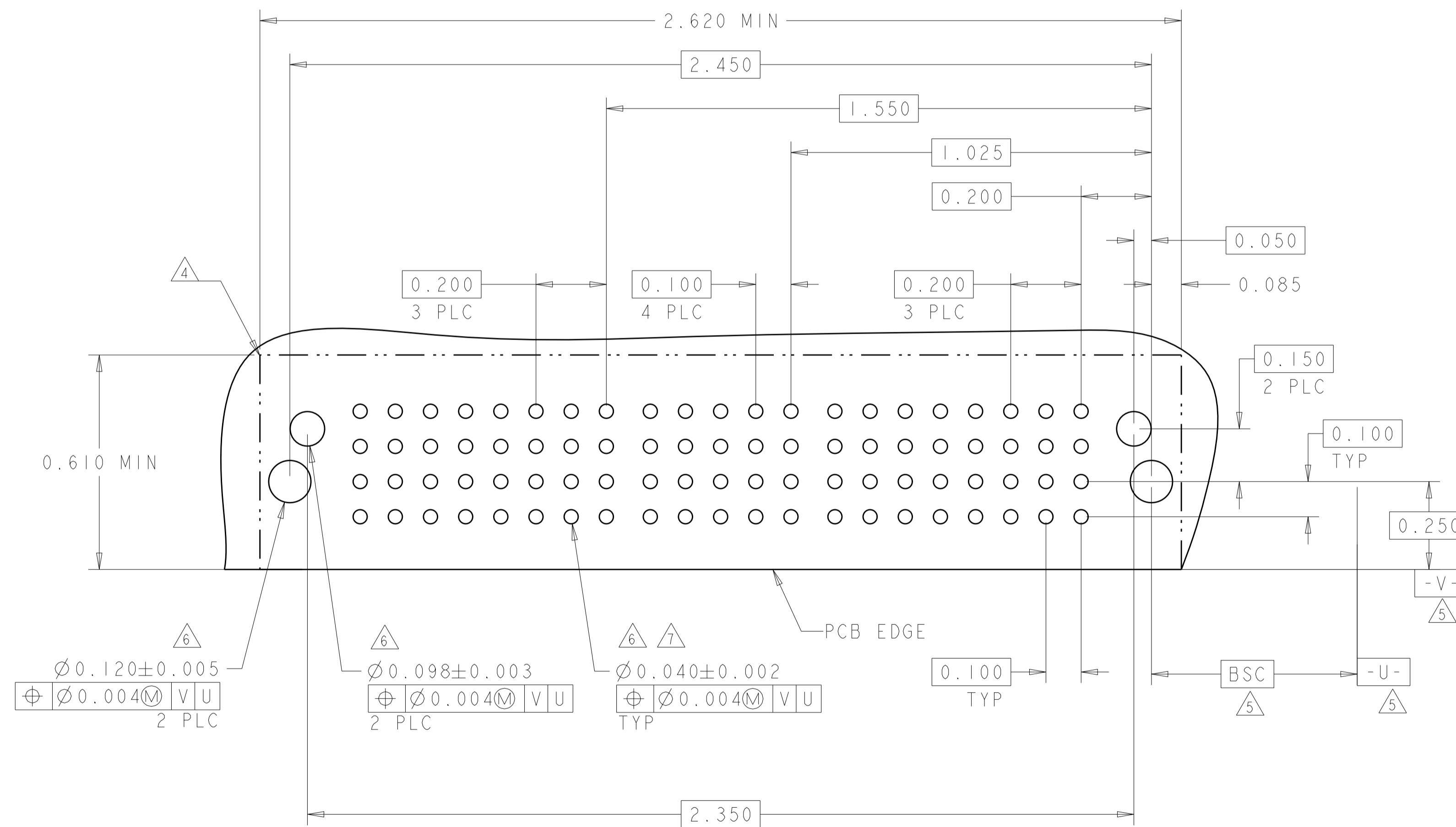
STE TE Connectivity

| | | |
|-------------|---|---|
| DIMENSIONS: | TOLERANCES UNLESS OTHERWISE SPECIFIED: | NAME |
| INCHES | 0 PLC ±.1 1 PLC ±.1 2 PLC ±.01 3 PLC ±.005 4 PLC ±.002 ANGLES ±.7° | RIGHT ANGLE RECEPTACLE WITH LP CONTACT AND SHORT END MODULES MULTI-BEAM XLE |
| MATERIAL | FINISH | SIZE |
| | | A100779C=6450880 |

CUSTOMER DRAWING SCALE 4:1 SHEET 10 OF 13 REV F5

| LOC | DIST | REVISIONS | | | | | |
|-----|------|-----------|-----|-------------|------|-----|------|
| | | P | LTH | DESCRIPTION | DATE | DWN | APVD |
| ES | 00 | - | - | SEE SHEET 1 | - | - | - |
| | | | | | | | |
| | | | | | | | |

| PART NUMBER | ROWS | | POWER | | | | SIGNAL | | | | | POWER | | | | |
|-------------------|------------------|--|-------|----|----|----|--------|---|---|---|---|-------|----|----|----|--|
| | | | P8 | P7 | P6 | P5 | 5 | 4 | 3 | 2 | 1 | P4 | P3 | P2 | P1 | |
| I-6450880-9 | D C B A | | RS | RS | RS | RS | D | D | D | D | D | RS | RS | RS | RS | |
| | | | | | | | C | C | C | C | C | | | | | |
| | | | | | | | B | B | B | B | B | | | | | |
| | | | | | | | A | A | A | A | A | | | | | |
| 4HDP + 20S + 4HDP | | | | | | | | | | | | | | | | |

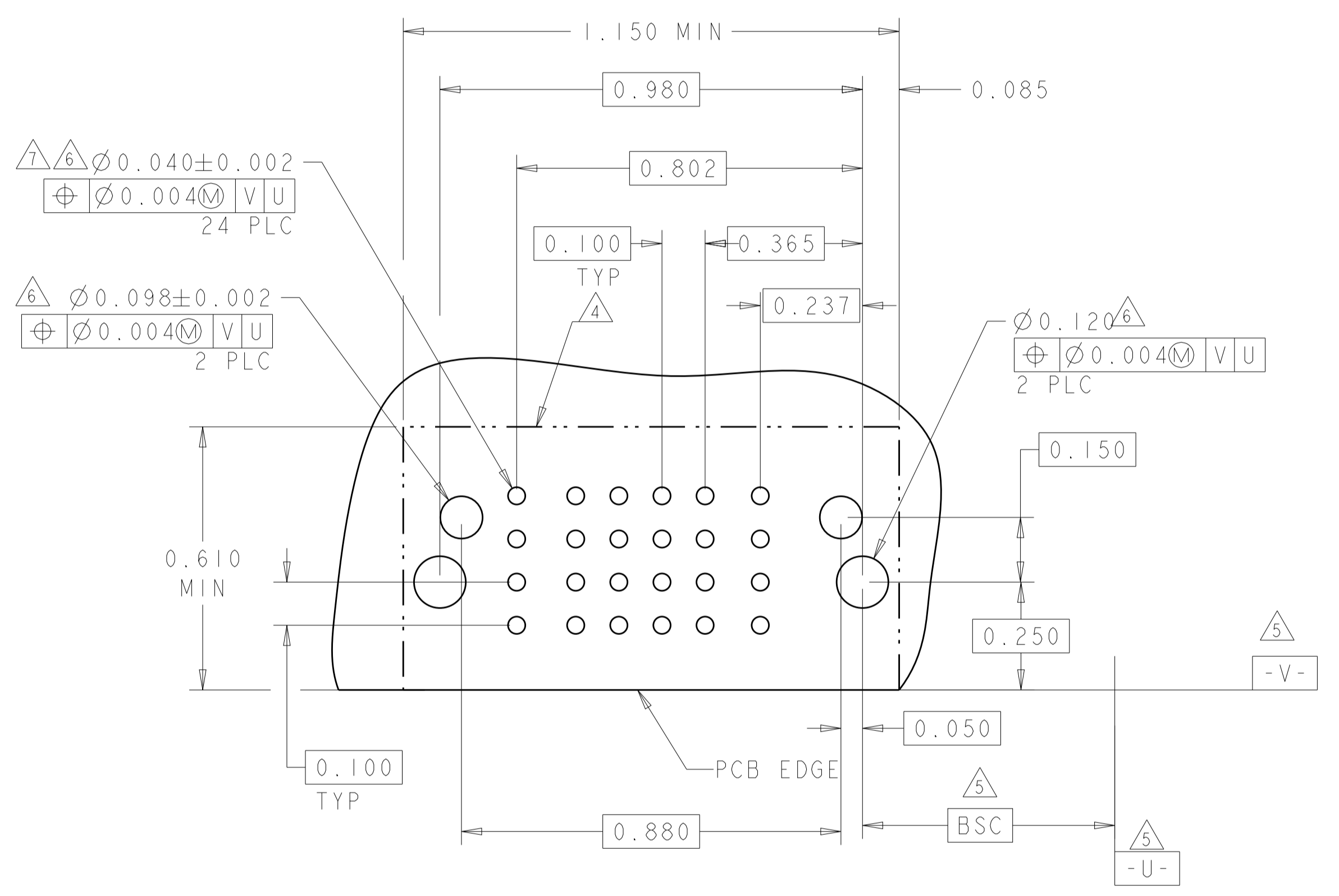


| | | | | | | | | | | | | | | | | |
|--|--------|-------------------------------|---|-------|-----|-------|------|-------|-------|-------|--------|--------|------|--------------------------|--------------------------|--|
| THIS DRAWING IS A CONTROLLED DOCUMENT. | | DWN S. ZHAO 25MAY2007 | | | | | | | | | | | | | | |
| DIMENSIONS: INCHES | | CHK S. ZHAO 25MAY2007 | | | | | | | | | | | | | | |
| TOLERANCES UNLESS OTHERWISE SPECIFIED: | | APVD S. ZHAO 25MAY2007 | NAME RIGHT ANGLE RECEPTACLE WITH LP CONTACT AND SHORT END MODULES MULTI-BEAM XLE | | | | | | | | | | | | | |
| <table border="1"> <tr><td>0 PLC</td><td>±.</td></tr> <tr><td>1 PLC</td><td>±.1</td></tr> <tr><td>2 PLC</td><td>±.01</td></tr> <tr><td>3 PLC</td><td>±.005</td></tr> <tr><td>4 PLC</td><td>±.0020</td></tr> <tr><td>ANGLES</td><td>±.7°</td></tr> </table> | | 0 PLC | ±. | 1 PLC | ±.1 | 2 PLC | ±.01 | 3 PLC | ±.005 | 4 PLC | ±.0020 | ANGLES | ±.7° | PRODUCT SPEC 108-2292 | SIZE A100779C=6450880 | |
| 0 PLC | ±. | | | | | | | | | | | | | | | |
| 1 PLC | ±.1 | | | | | | | | | | | | | | | |
| 2 PLC | ±.01 | | | | | | | | | | | | | | | |
| 3 PLC | ±.005 | | | | | | | | | | | | | | | |
| 4 PLC | ±.0020 | | | | | | | | | | | | | | | |
| ANGLES | ±.7° | | | | | | | | | | | | | | | |
| MATERIAL | | APPLICATION SPEC 114-13251 | RESTRICTED TO | | | | | | | | | | | | | |
| FINISH | | WEIGHT | SCALE 4:1 SHEET 11 OF 13 REV F5 | | | | | | | | | | | | | |
| | | CUSTOMER DRAWING | | | | | | | | | | | | | | |

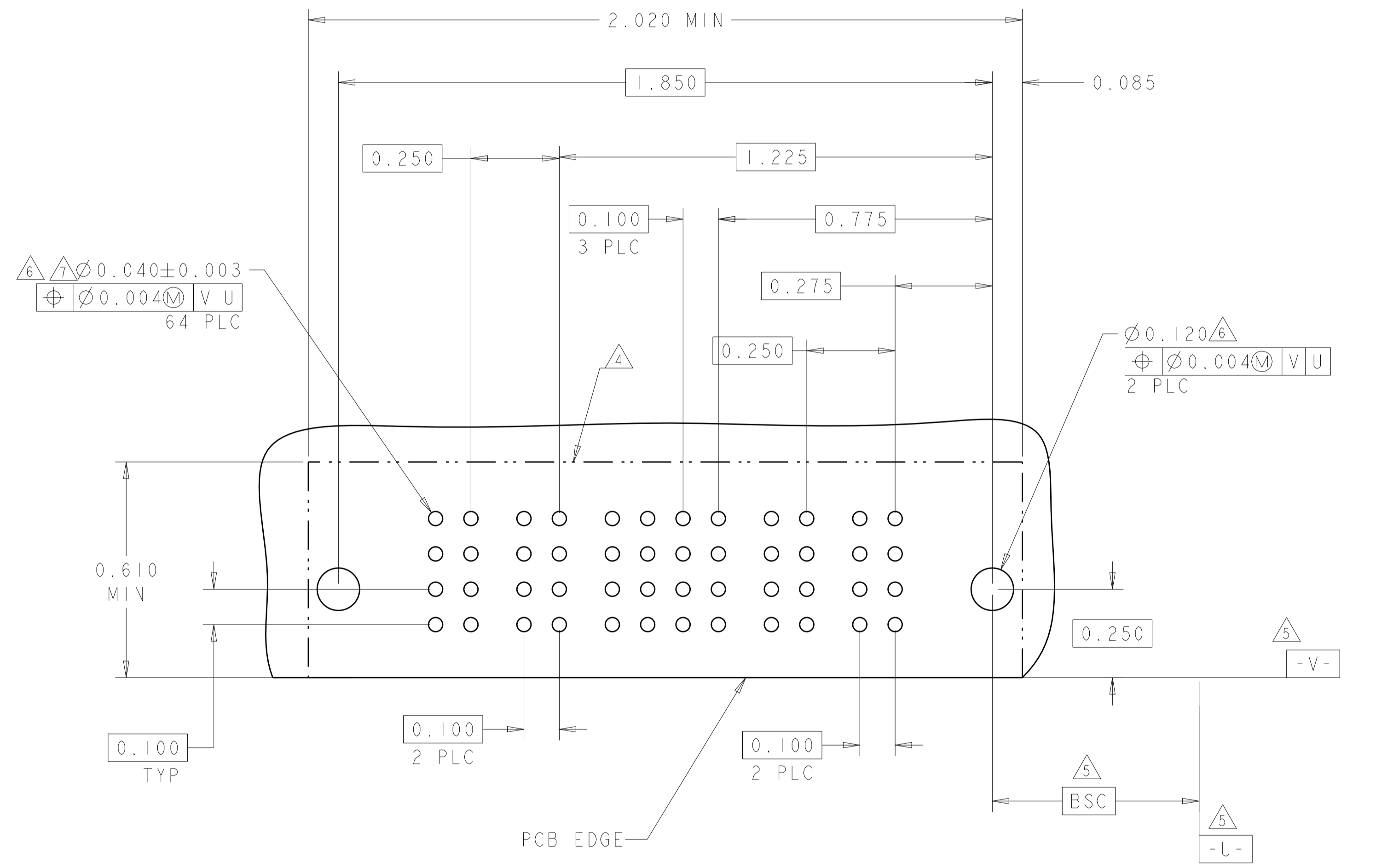
| LOC | DIST | REVISIONS | | | |
|-----|------|-------------|------|-----|------|
| P | LTH | DESCRIPTION | DATE | DMN | APVD |
| - | - | SEE SHEET 1 | - | - | - |

| PART NUMBER | ROWS | | POWER | | SIGNAL | | | | POWER | | |
|-----------------|------------------|----|-------|----|------------------|------------------|------------------|------------------|-------|----|----|
| | | | P2 | P1 | 4 | 3 | 2 | 1 | P1 | P2 | |
| 2-6450880-0 | D C B A | HD | LS | | D C B A | D C B A | D C B A | D C B A | LS | | HD |
| ILP + 16S + ILP | | | | | | | | | | | |

E7



| PART NUMBER | ROWS | | POWER | | SIGNAL | | | | POWER | | |
|---------------|------------------|--|-------|----|------------------|------------------|------------------|------------------|-------|----|--|
| | | | P4 | P3 | 4 | 3 | 2 | 1 | P2 | P1 | |
| 2-6450880-6 | D C B A | | RS | RS | D C B A | D C B A | D C B A | D C B A | RS | RS | |
| 2P + 16S + 2P | | | | | | | | | | | |



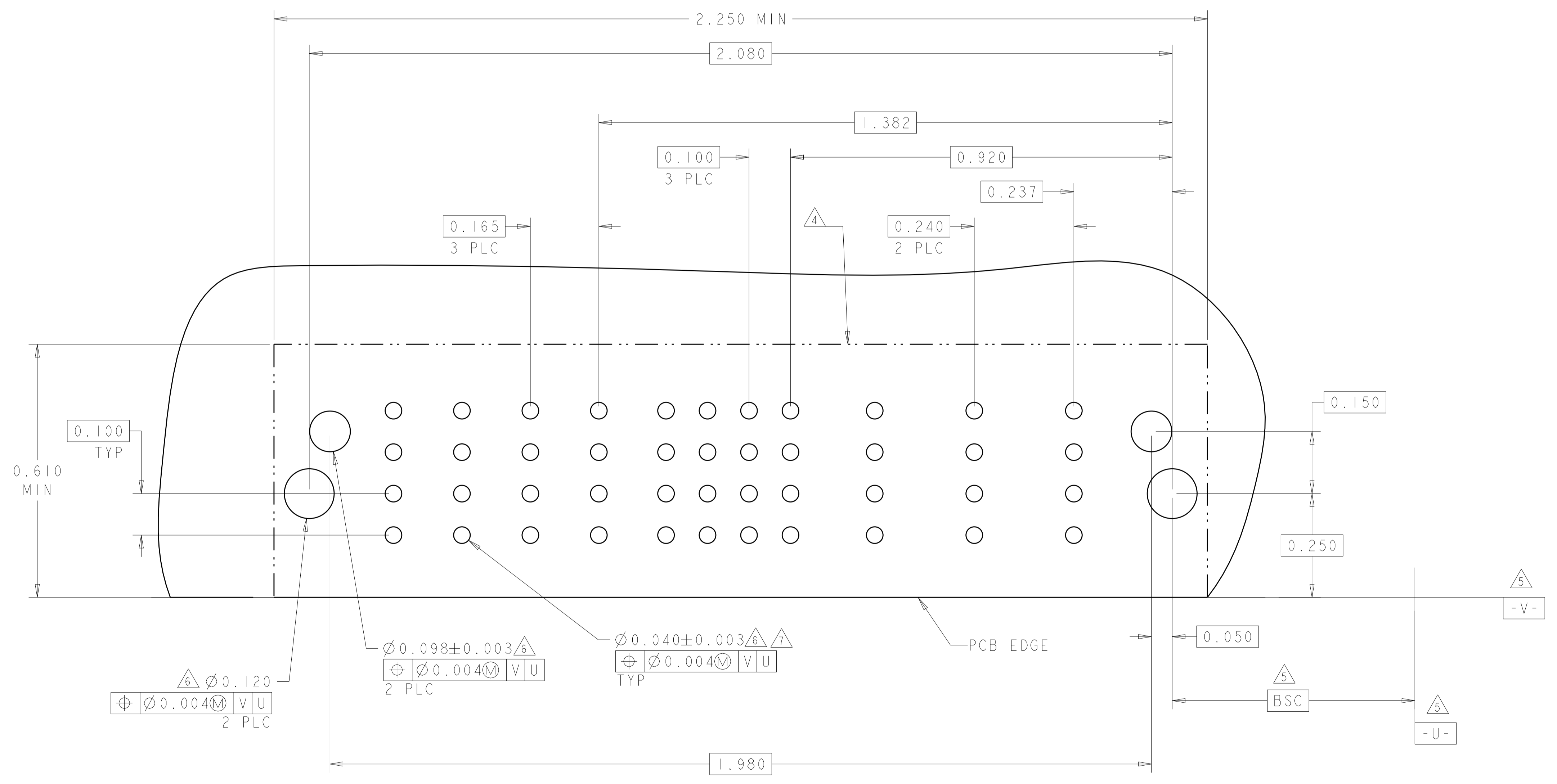
THIS DRAWING IS A CONTROLLED DOCUMENT.

| | | | | | |
|-----------------------|--|--------|---|---|---------------|
| DIMENSIONS: INCHES | TOLERANCES UNLESS OTHERWISE SPECIFIED: 0 PLC ±.1 1 PLC ±.01 2 PLC ±.01 3 PLC ±.005 4 PLC ±.002 ANGLES ±.2° | FINISH | DMN S.ZHAO 25MAY2007 CHK S.ZHAO 25MAY2007 APVD S.ZHAO 25MAY2007 | NAME RIGHT ANGLE RECEPTACLE WITH LP CONTACT AND SHORT END MODULES MULTI-BEAM XLE | RESTRICTED TO |
| MATERIAL | | | PRODUCT SPEC 108-2292 APPLICATION SPEC 114-13251 WEIGHT | SIZE CAGE CODE DRAWING NO A100779C=6450880 | |
| CUSTOMER DRAWING | | | SCALE 4:1 | SHEET 12 OF 13 | REV F5 |

4805 (3/11)

| LOC | DIST | REVISIONS | | | | | |
|-----|------|-----------|-----|-------------|------|-----|------|
| | | P | LTN | DESCRIPTION | DATE | DWN | APVD |
| ES | 00 | - | - | SEE SHEET 1 | - | - | - |

| PART NUMBER | ROWS | POWER | | | | SIGNAL | | | | POWER | | |
|-----------------|------|-------|-----|-----|-----|--------|---|---|---|-------|-----|-----|
| | | LP7 | LP6 | LP5 | LP4 | 4 | 3 | 2 | 1 | LP3 | LP2 | LP1 |
| 2-6450880-7 | D | LS | LS | LS | LS | D | D | D | D | LS | LS | LS |
| | C | | | | | C | C | C | | | | |
| | B | | | | | B | B | B | | | | |
| | A | | | | | A | A | A | | | | |
| 3LP + 16S + 4LP | | HD | | | | | | | | | | |



| | | | |
|--|--|--|--|
| THIS DRAWING IS A CONTROLLED DOCUMENT. | | DWN: S. ZHAO 25MAY2007 | TE Connectivity |
| DIMENSIONS: INCHES | | CHK: S. ZHAO 25MAY2007 | |
| TOLERANCES UNLESS OTHERWISE SPECIFIED: 0 PLC ±.1 1 PLC ±.1 2 PLC ±.01 3 PLC ±.005 4 PLC ±.002 ANGLES ±.2° | | APVD: S. ZHAO 25MAY2007 | |
| MATERIAL: - FINISH: - | | PRODUCT SPEC: 108-2292 APPLICATION SPEC: 114-13251 WEIGHT: - CUSTOMER DRAWING | |
| NAME: RIGHT ANGLE RECEPTACLE WITH LP CONTACT AND SHORT END MODULES MULTI-BEAM XLE SIZE: A1 CAGE CODE: 00779 DRAWING NO: C=6450880 | | RESTRICTED TO: - | SCALE: 4:1 SHEET: 13 OF 13 REV: F5 |

Компания «Life Electronics» занимается поставками электронных компонентов импортного и отечественного производства от производителей и со складов крупных дистрибьюторов Европы, Америки и Азии.

С конца 2013 года компания активно расширяет линейку поставок компонентов по направлению коаксиальный кабель, кварцевые генераторы и конденсаторы (керамические, пленочные, электролитические), за счёт заключения дистрибьюторских договоров

Мы предлагаем:

- Конкурентоспособные цены и скидки постоянным клиентам.
- Специальные условия для постоянных клиентов.
- Подбор аналогов.
- Поставку компонентов в любых объемах, удовлетворяющих вашим потребностям.
- Приемлемые сроки поставки, возможна ускоренная поставка.
- Доставку товара в любую точку России и стран СНГ.
- Комплексную поставку.
- Работу по проектам и поставку образцов.
- Формирование склада под заказчика.
- Сертификаты соответствия на поставляемую продукцию (по желанию клиента).
- Тестирование поставляемой продукции.
- Поставку компонентов, требующих военную и космическую приемку.
- Входной контроль качества.
- Наличие сертификата ISO.

В составе нашей компании организован Конструкторский отдел, призванный помогать разработчикам, и инженерам.

Конструкторский отдел помогает осуществить:

- Регистрацию проекта у производителя компонентов.
- Техническую поддержку проекта.
- Защиту от снятия компонента с производства.
- Оценку стоимости проекта по компонентам.
- Изготовление тестовой платы монтаж и пусконаладочные работы.



Тел: +7 (812) 336 43 04 (многоканальный)

Email: org@lifeelectronics.ru