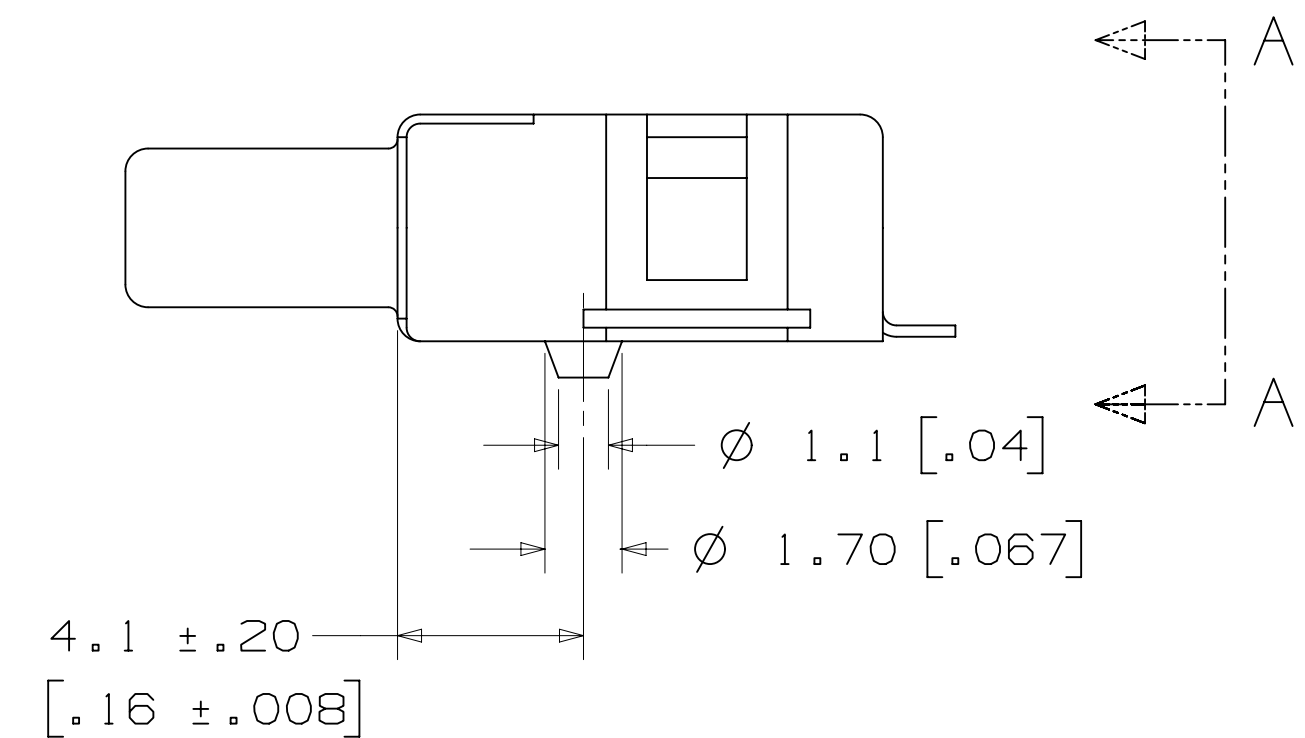
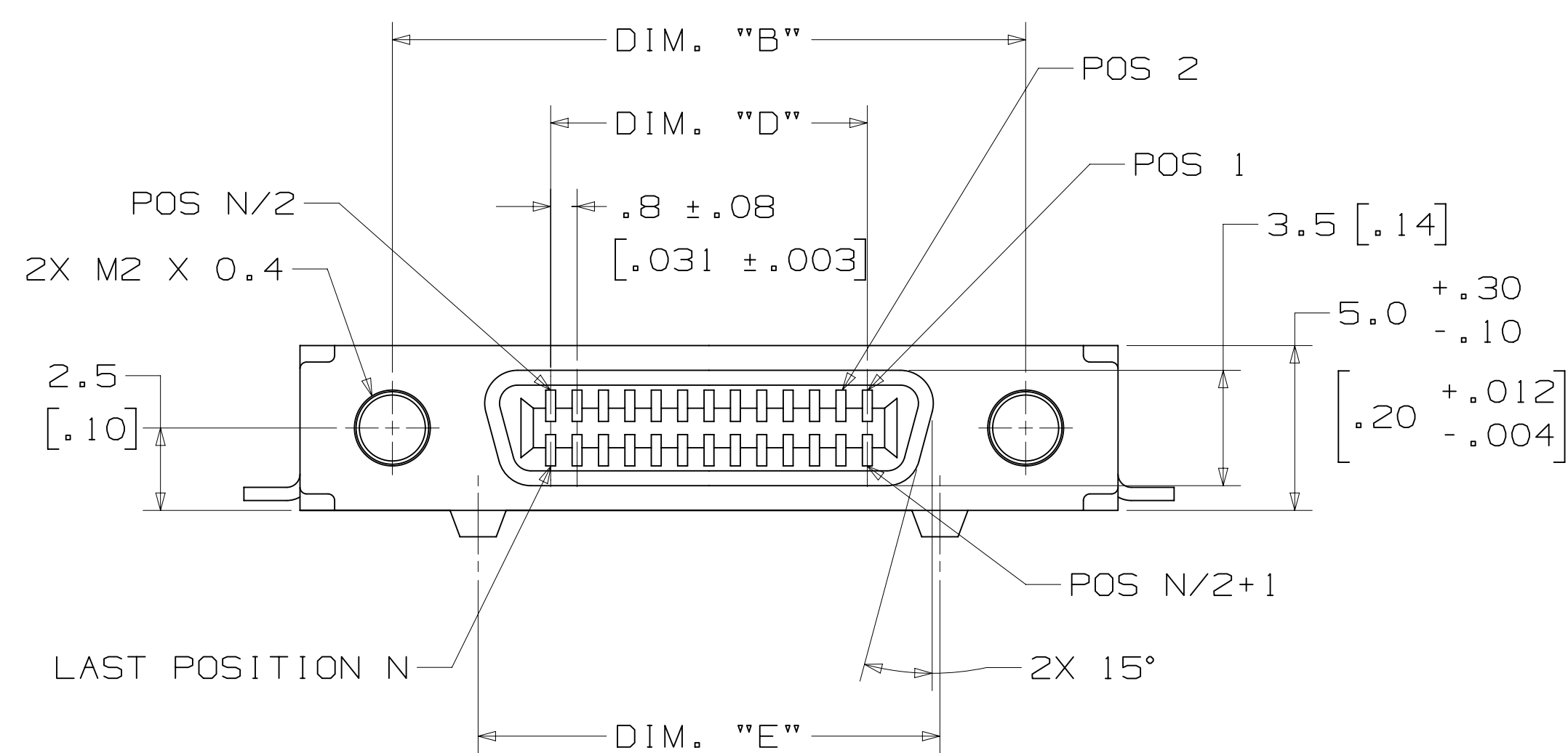
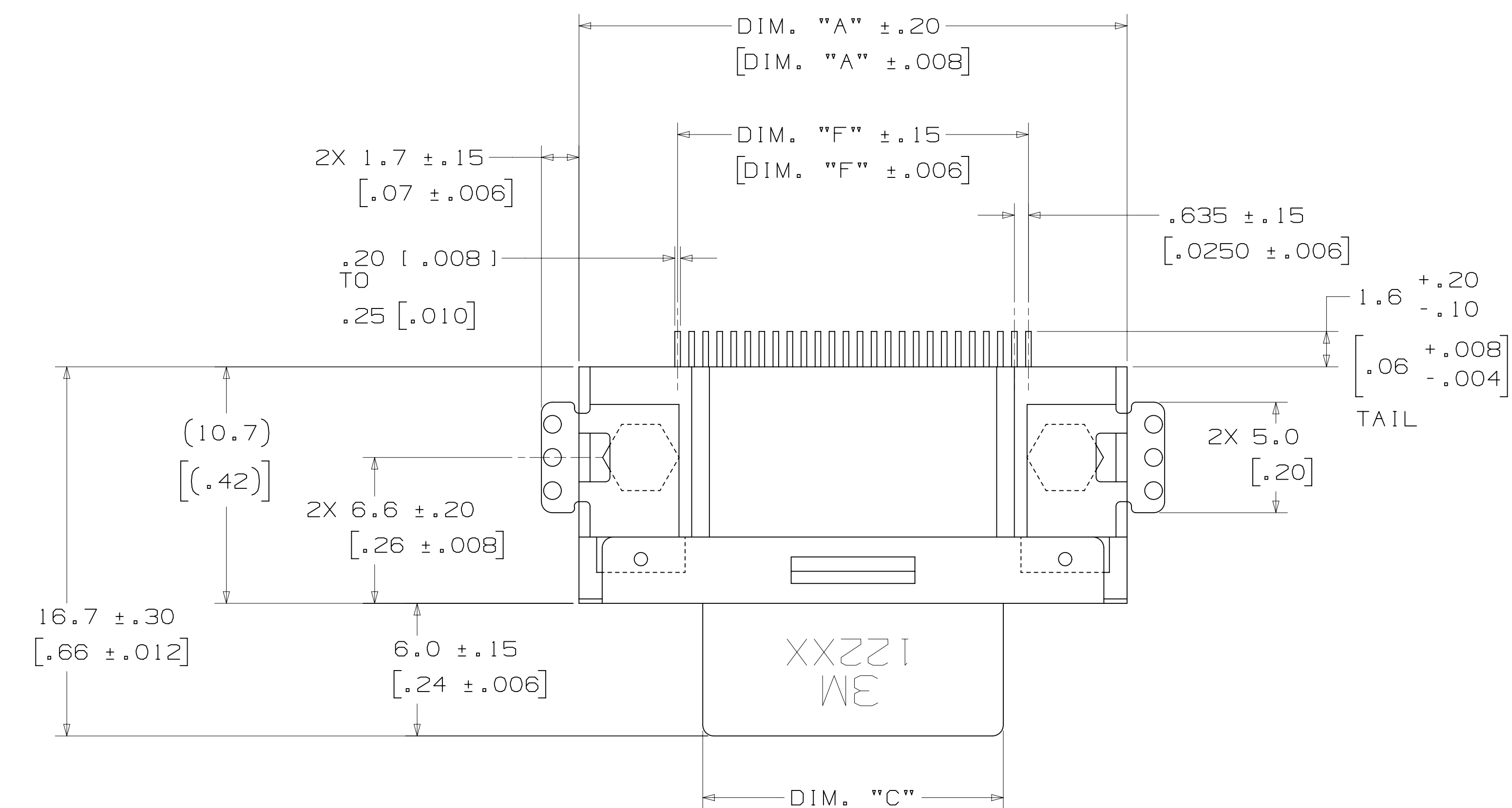


3M™ Shrunk Delta Ribbon (SDR) Connectors, 122 Series  
 .80 mm Surface Mount, Right Angle Receptacle, Shielded



POSITION	DIM. "A"	DIM. "B"	DIM. "C"	DIM. "D"	DIM. "E"	DIM. "F"	DIM. "G"
14	20.0 [ .79 ]	14.4 [ .57 ]	8.8 [ .35 ]	4.8 [ .19 ]	9.2 [ .36 ]	8.255 [ .3250 ]	19.0 [ .75 ]
26	24.8 [ .98 ]	19.2 [ .76 ]	13.6 [ .54 ]	9.6 [ .38 ]	14.0 [ .55 ]	15.875 [ .6250 ]	23.8 [ .94 ]

CONNECTOR DIMENSION TABLE  
TABLE 1

- NOTES**
- MATERIAL:  
 INSULATION: 14 PIN: PPS, 26 PIN: LCP  
 COLOR: BLACK, UL94V-0  
  
 CONTACT: COPPER ALLOY  
 PLATING:  
 SEE ORDERING INFO SHEET 2  
  
 SHROUD & LATCH HOOK: STEEL  
 PLATING: NICKEL  
  
 GROUND LOCK: COPPER ALLOY  
 PLATING: SEMI-BRIGHT TIN OVER NICKEL  
  
 LOCK SCREW: STEEL  
 PLATING: NICKEL  
  
 ALIGNMENT PLATE: PPS  
 COLOR: BLACK, UL94V-0  
  
 EARTH PLATE: COPPER ALLOY  
 PLATING: TIN  
  
 HEX NUT: BRASS
  - MARKING: 3M LOGO AND PART NUMBER.
  - ELECTRICAL:  
 CURRENT RATING: 0.5 A  
 INSULATION RESISTANCE: 500 MΩ MIN AT 250 V<sub>DC</sub>  
 WITHSTANDING VOLTAGE: 350 V<sub>AC</sub> FOR 1 MINUTE
  - ENVIRONMENTAL:  
 TEMPERATURE RATING:  
 -40°C TO +70°C  
 PROCESS RATING:  
 REFLOW: PREHEAT 150° TO 180°C,  
 90 TO 120 SECONDS  
 30 TO 60 SECONDS, PEAK TEMPERATURE  
 IS 250°C MAX.  
 SOLDER IRON: 380°C MAX, 3 SECONDS MAX.
  - IN THE EVENT OF CONFLICT BETWEEN THIS DATA  
 AND THAT CONTAINED IN THE PRODUCT  
 SPECIFICATION, THE PRODUCT SPECIFICATION  
 TAKES PRECEDENT.
  - FOR VARIOUS PANEL THICKNESS JACKSOCKETS  
 REFER TO TS-0142.
  - SEE REGULATORY INFORMATION APPENDIX (RIA)  
 IN THE "RoHS COMPLIANCE" SECTION OF  
[WWW.3MCONNECTOR.COM](http://WWW.3MCONNECTOR.COM) FOR COMPLIANCE INFORMATION.

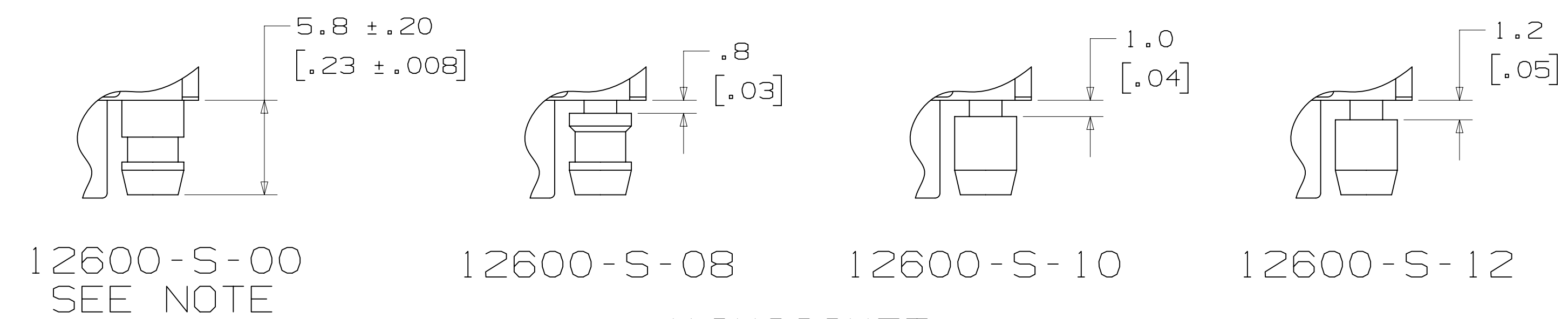
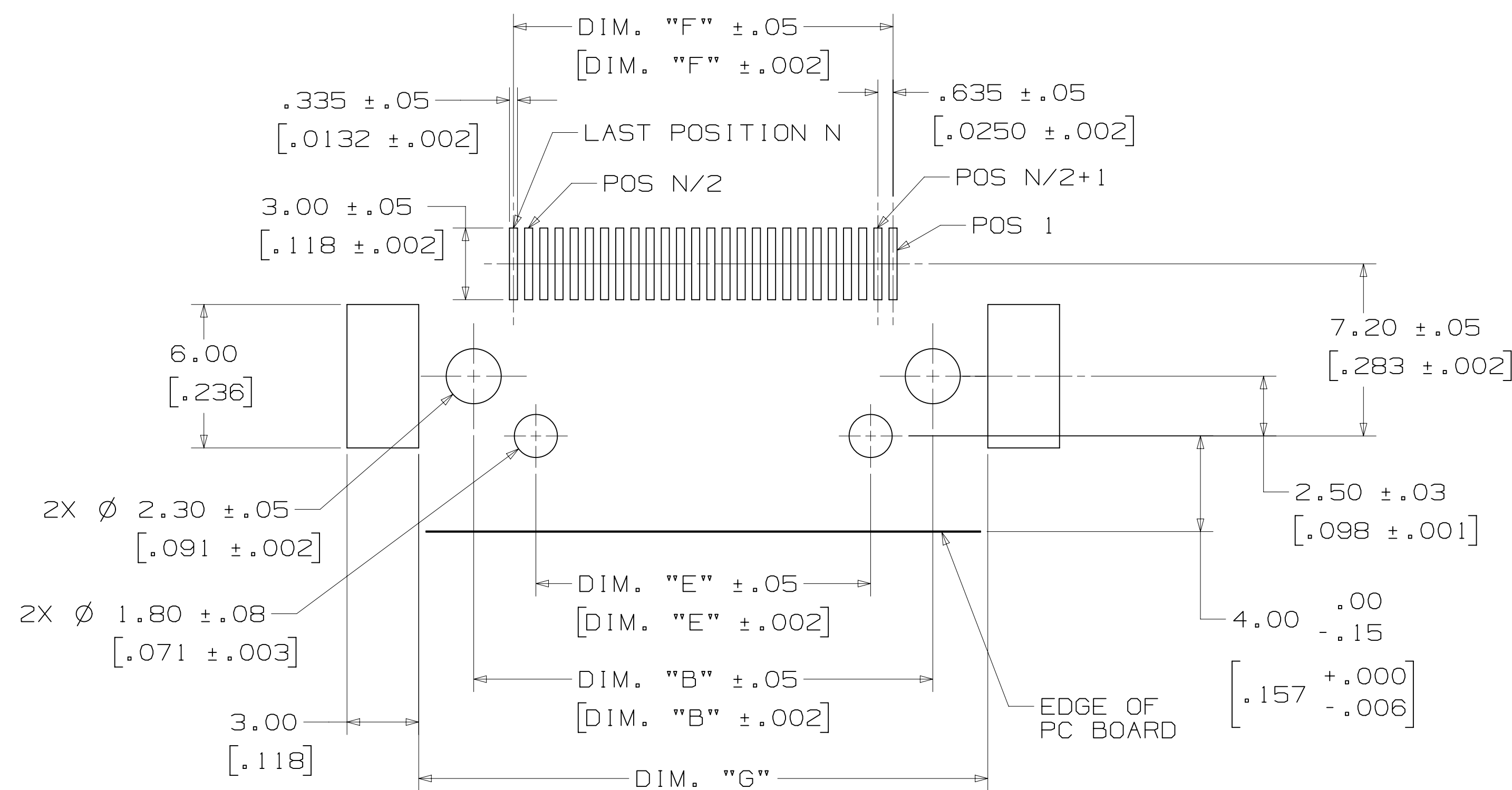
DIMENSIONS ARE IN MM.  
 SECONDARY ARE IN [ INCHES ]  
 AND ARE FOR REFERENCE ONLY

DESIGN REFERENCE	NEXT ASSEMBLY	REV	ECO	ISSUE DATE AND DESCRIPTION	DRFT	CHKD
<del>122XX1</del>						
DIVISION	DIVISION CODE	DATE	DATE	DATE	DATE	DATE
Interconnect Solutions	ISD	JAN 07, 2011	JAN 07, 2011	MFG	MFG	MFG
DO NOT SCALE DRAWING	SCALE	TOLERANCES EXCEPT AS NOTED	INCHES .00 ±.006 .000 ±.006 .0000 ±.005 MILLIMETERS 0 ± .0 ±.15 .00 ±.15 .000 ±.13 MARKED ONLY			
THIRD ANGLE PROJECTION	INTERPRET PER ASME Y14.5 - 1994	© 3M COPYRIGHT 2012 This document and the information it contains are 3M property and may not be reproduced or further distributed without 3M permission, or used or disclosed other than for 3M authorized purposes. All rights reserved.				
MAX SURFACE ROUGHNESS	SURFACES	TITLE 3M SHRUNK DELTA RIBBON (SDR) CONN. 122XX-82X0-00XX				
<input checked="" type="checkbox"/>	<input checked="" type="checkbox"/>	CAGE NUMBER	SIZE	DRAWING NO.	REV.	
<input checked="" type="checkbox"/>	<input checked="" type="checkbox"/>	D		78-5100-2125-2	F	
<input checked="" type="checkbox"/>	<input checked="" type="checkbox"/>	MODEL	12200	DET	ISTS	YES <input checked="" type="checkbox"/> NO <input type="checkbox"/> SHT 1 OF 2



DRAWING NUMBER: 78-5100-2125-2

3M™ Shrunk Delta Ribbon (SDR) Connectors, 122 Series  
 .80 mm Surface Mount, Right Angle Receptacle, Shielded



JACKSOCKET  
 M2 X 0.4

NOTE: JACKSOCKET 12600-S-00 COMES FACTORY INSTALLED IN CONNECTOR 122XX-8250-00FR. IT IS FIXED WITH THREAD LOCKING ADHESIVE AND CANNOT BE REMOVED.

PANEL THICKNESS	CONNECTOR	JACKSOCKET
NO PANEL	122XX-8250-00XX	FACTORY INSTALLED (SEE NOTE)
0.8±0.1MM	122XX-8200-00XX	12600-S-08 (ORDER SEPARATELY)
1.0±0.1MM	122XX-8200-00XX	12600-S-10 (ORDER SEPARATELY)
1.2±0.1MM	122XX-8200-00XX	12600-S-12 (ORDER SEPARATELY)

SELECTION TABLE FOR PANEL MOUNTING  
 TABLE 3

ORDERING INFORMATION:  
 122XX-82X0-00XX

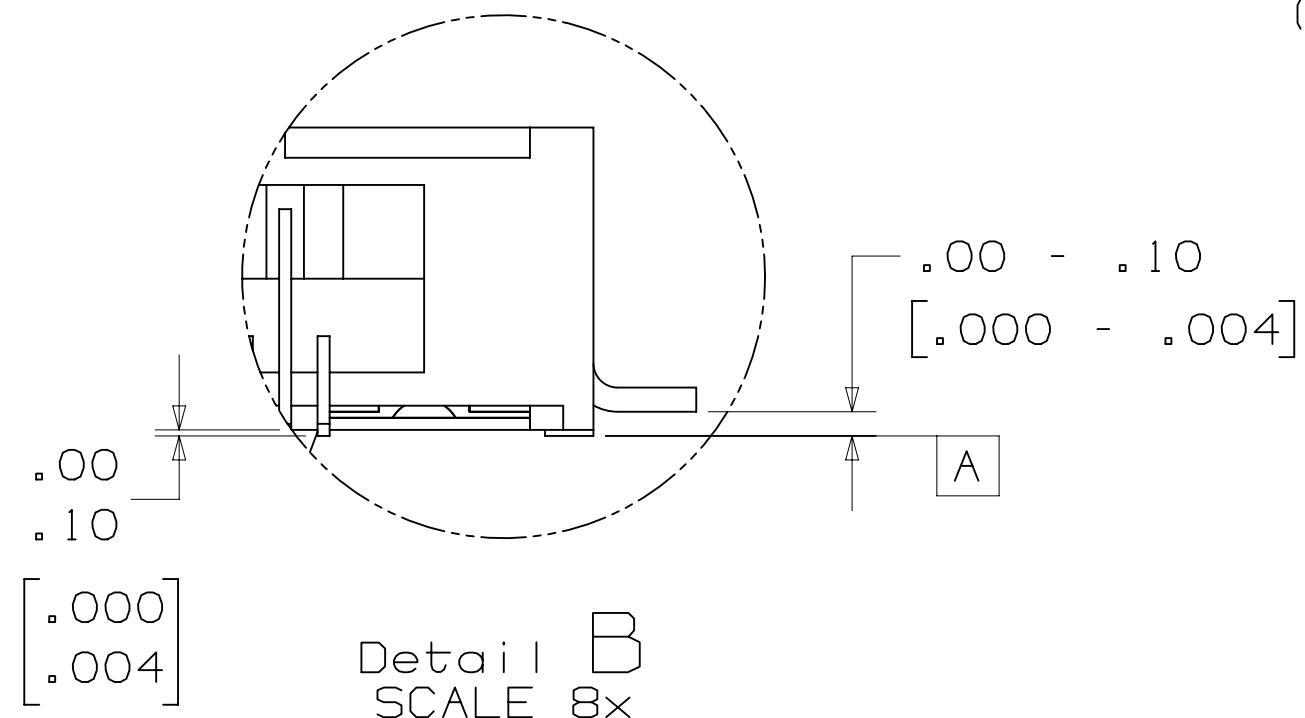
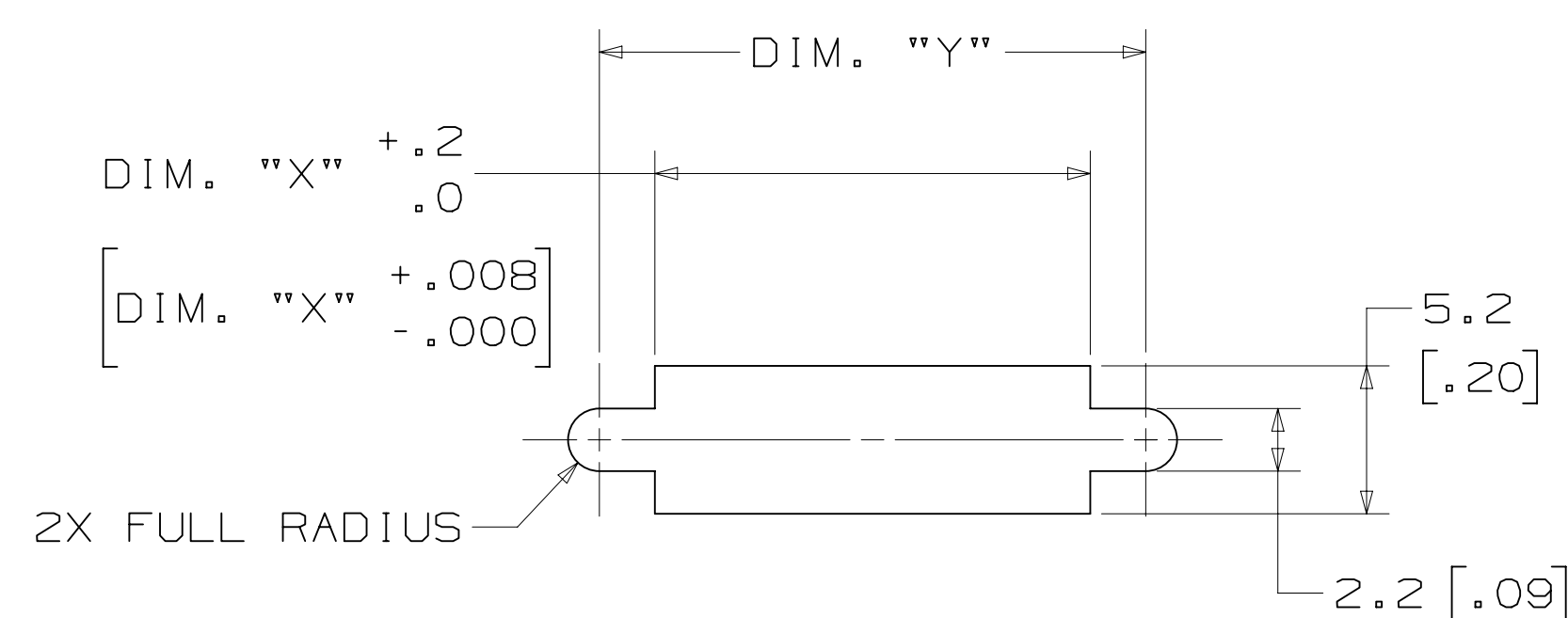
CONTACT QUANTITY  
 (SEE TABLE 1)

PLATING OPTION:

- FR = 50-100µ" NICKEL UNDERPLATE  
 30µ" GOLD MIN. WIPE AREA  
 FLASH GOLD TERM AREA (TAIL)
- PL = 50-100µ" NICKEL UNDERPLATE  
 8µ" GOLD MIN. WIPE AREA  
 FLASH GOLD TERM AREA (TAIL)

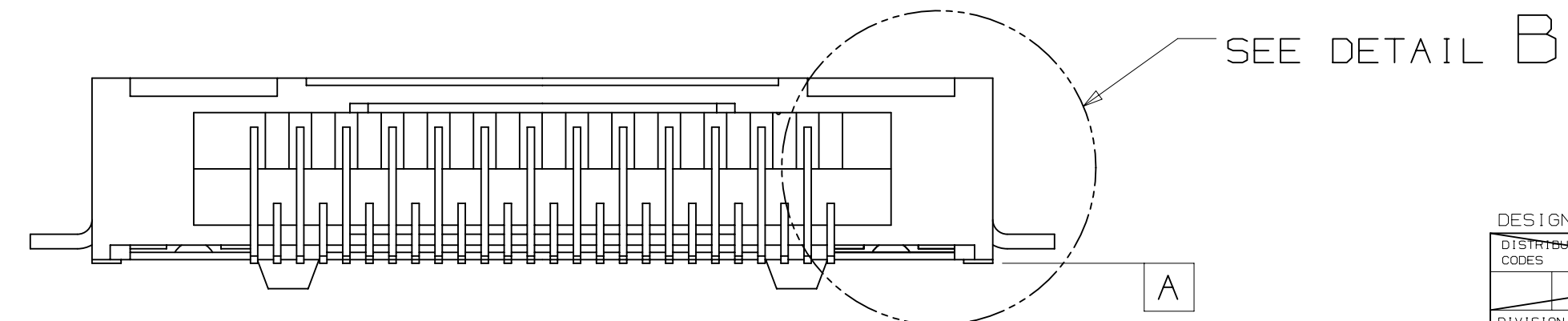
SCREW LOCK OPTION: (SEE TABLE 3)

- 0=NONE (RIA E1 & C1 APPLY)
- 5=WITH 12600-S-00 NON-REMOVABLE SCREW LOCK (RIA E5 & C3 APPLY)



POSITION	DIM. "X"	DIM. "Y"
14	10.5 [.41]	14.4 [.57]
26	15.3 [.60]	19.2 [.76]

RECOMMENDED PANEL CUT-OUT DIMENSION TABLE  
 TABLE 2



THE DIMENSION OF PIN TAILS LOWER SURFACE TO DATUM "A" SURFACE: 0.00 TO 0.10 [.000 TO .004].  
 NOTE: THE CONNECTOR SHOULD BE ON FLAT FIXTURE SURFACE WHEN THE DIMENSIONS ARE MEASURED.

DESIGN REFERENCE	NEXT ASSEMBLY	REV	ECO	ISSUE DATE AND DESCRIPTION	DRFT	CHKD
INTERCONNECT SOLUTIONS	ISD	CASTIGLIONE	JAN 07, 2011	MFG DATE		
DO NOT SCALE DRAWING	SCALE 4/1	TOLERANCES EXCEPT AS NOTED				
THIRD ANGLE PROJECTION	INTERPRET PER ASME Y14.5 - 1994	TOLERANCES EXCEPT AS NOTED				
MAX SURFACE ROUGHNESS	DA SURFACES	MARKED ONLY				

F 40541	MAY 01, 2012	ARM	DFC
E 30752	JAN 05, 2011	JNC	SC
REVISED AND REDRAWN			

3M	3M Center St. Paul, MN 55144	© 3M COPYRIGHT 2012	This document and the information it contains are 3M property and may not be reproduced or further distributed without 3M permission, or used or disclosed other than for 3M authorized purposes. All rights reserved.
TITLE	3M SHRUNK DELTA RIBBON (SDR) CONN. 122XX-82X0-00XX		
CAGE NUMBER	SIZE	DRAWING NO.	REV.
D 78-5100-2125-2	D	F	F
MODEL	12200	DET	1S1S YES X NO SHT 2 OF 2

Компания «Life Electronics» занимается поставками электронных компонентов импортного и отечественного производства от производителей и со складов крупных дистрибьюторов Европы, Америки и Азии.

С конца 2013 года компания активно расширяет линейку поставок компонентов по направлению коаксиальный кабель, кварцевые генераторы и конденсаторы (керамические, пленочные, электролитические), за счёт заключения дистрибьюторских договоров

Мы предлагаем:

- Конкурентоспособные цены и скидки постоянным клиентам.
- Специальные условия для постоянных клиентов.
- Подбор аналогов.
- Поставку компонентов в любых объемах, удовлетворяющих вашим потребностям.
- Приемлемые сроки поставки, возможна ускоренная поставка.
- Доставку товара в любую точку России и стран СНГ.
- Комплексную поставку.
- Работу по проектам и поставку образцов.
- Формирование склада под заказчика.
- Сертификаты соответствия на поставляемую продукцию (по желанию клиента).
- Тестирование поставляемой продукции.
- Поставку компонентов, требующих военную и космическую приемку.
- Входной контроль качества.
- Наличие сертификата ISO.

В составе нашей компании организован Конструкторский отдел, призванный помогать разработчикам, и инженерам.

Конструкторский отдел помогает осуществить:

- Регистрацию проекта у производителя компонентов.
- Техническую поддержку проекта.
- Защиту от снятия компонента с производства.
- Оценку стоимости проекта по компонентам.
- Изготовление тестовой платы монтаж и пусконаладочные работы.



Тел: +7 (812) 336 43 04 (многоканальный)

Email: [org@lifeelectronics.ru](mailto:org@lifeelectronics.ru)