

3M™ Shrunk Delta Ribbon (SDR) Connectors, 122 Series
 .80 mm Surface Mount, Right Angle Receptacle, Shielded

NOTES

- MATERIAL:
 INSULATION: 14 PIN: PPS, 26 PIN: LCP
 COLOR: BLACK, UL94V-0

 CONTACT: COPPER ALLOY
 PLATING:
 SEE ORDERING INFO SHEET 2

 SHROUD & LATCH HOOK: STEEL
 PLATING: NICKEL

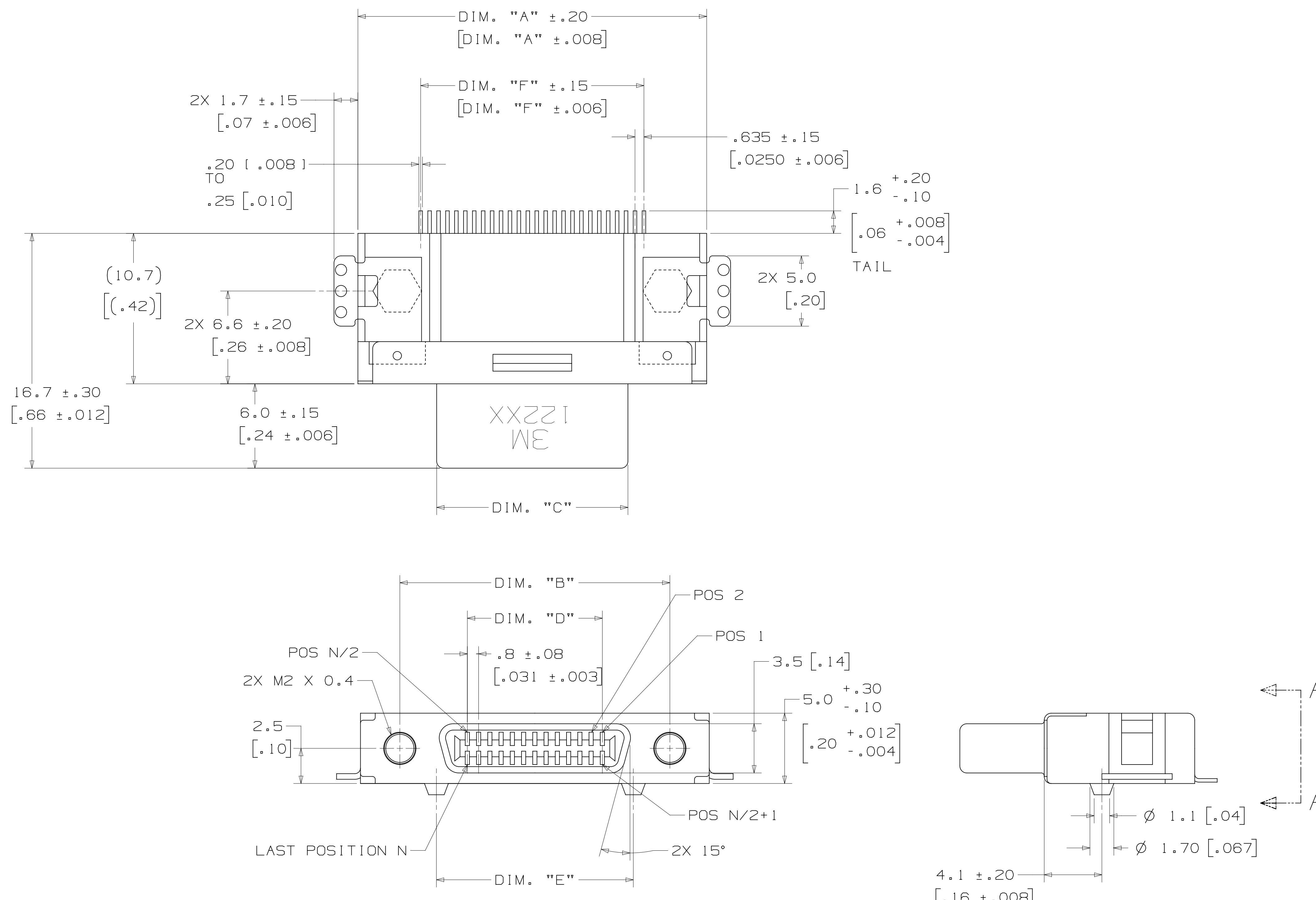
 GROUND LOCK: COPPER ALLOY
 PLATING: SEMI-BRIGHT TIN OVER NICKEL

 LOCK SCREW: STEEL
 PLATING: NICKEL

 ALIGNMENT PLATE: PPS
 COLOR: BLACK, UL94V-0

 EARTH PLATE: COPPER ALLOY
 PLATING: TIN

 HEX NUT: BRASS
- MARKING: 3M LOGO AND PART NUMBER.
- ELECTRICAL:
 CURRENT RATING: 0.5 A
 INSULATION RESISTANCE: 500 Ω MIN AT 250 V_{DC}
 WITHSTANDING VOLTAGE: 350 V_{AC} FOR 1 MINUTE
- ENVIRONMENTAL:
 TEMPERATURE RATING:
 -40°C TO +70°C
 PROCESS RATING:
 REFLOW: PREHEAT 150° TO 180°C,
 90 TO 120 SECONDS
 30 TO 60 SECONDS, PEAK TEMPERATURE
 IS 250°C MAX.
 SOLDER IRON: 380°C MAX, 3 SECONDS MAX.
- IN THE EVENT OF CONFLICT BETWEEN THIS DATA AND THAT CONTAINED IN THE PRODUCT SPECIFICATION, THE PRODUCT SPECIFICATION TAKES PRECEDENT.
- FOR VARIOUS PANEL THICKNESS JACKSOCKETS REFER TO TS-0142.
- SEE REGULATORY INFORMATION APPENDIX (RIA) IN THE "RoHS COMPLIANCE" SECTION OF WWW.3MCONNECTOR.COM FOR COMPLIANCE INFORMATION.



POSITION	DIM. "A"	DIM. "B"	DIM. "C"	DIM. "D"	DIM. "E"	DIM. "F"	DIM. "G"
14	20.0 [.79]	14.4 [.57]	8.8 [.35]	4.8 [.19]	9.2 [.36]	8.255 [.3250]	19.0 [.75]
26	24.8 [.98]	19.2 [.76]	13.6 [.54]	9.6 [.38]	14.0 [.55]	15.875 [.6250]	23.8 [.94]

CONNECTOR DIMENSION TABLE
 TABLE 1

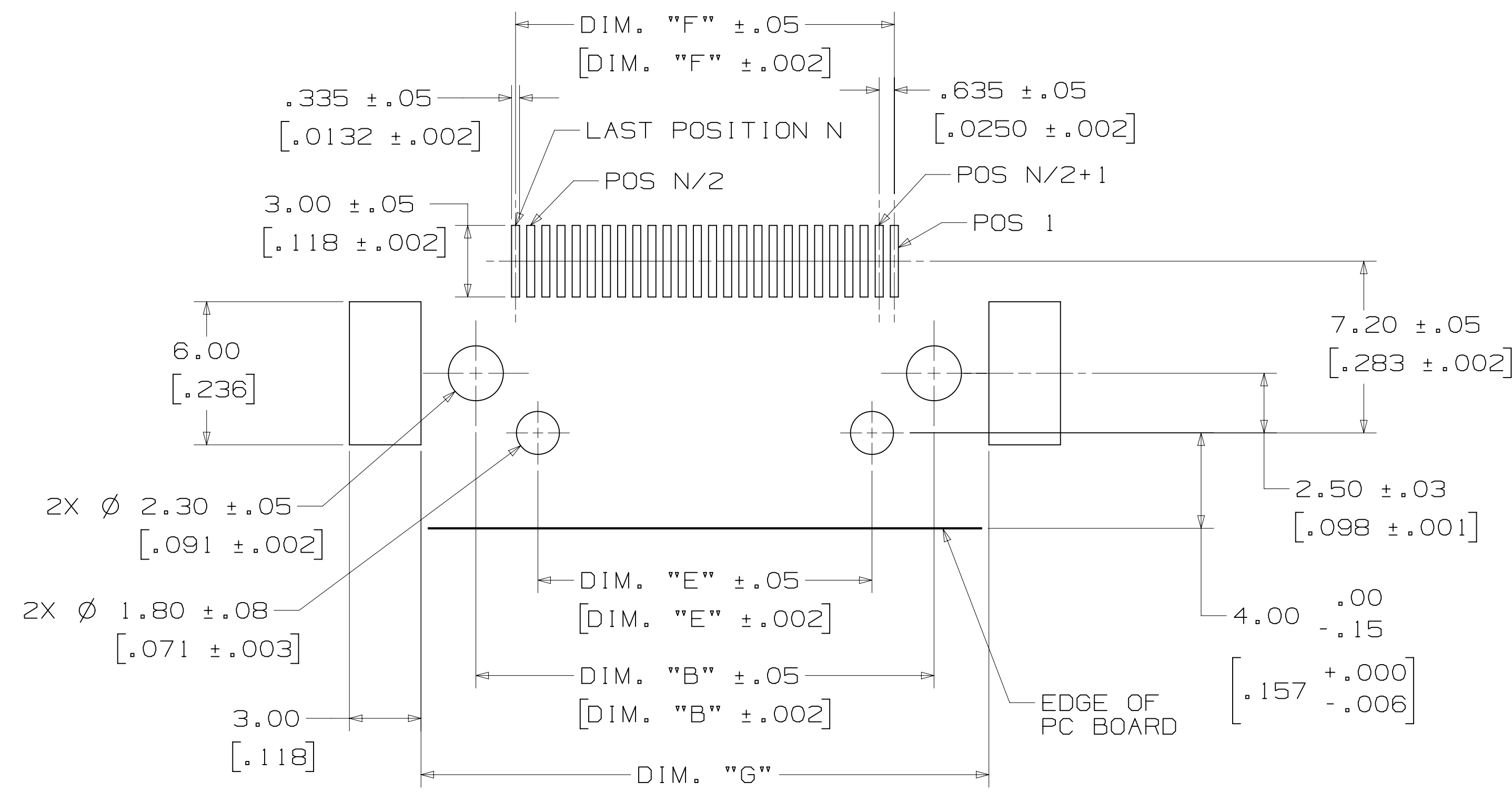
DIMENSIONS ARE IN MM.
 SECONDARY ARE IN [INCHES]
 AND ARE FOR REFERENCE ONLY

REV. F	ECO	40541	MAY 01, 2012	ADD 'PL' PLATING SPEC	ARM	DFC
REV. E	ECO	30752	JAN 05, 2011	REVISED AND REDRAWN	JNC	SC
REV. D	ECO		JAN 07, 2011	ISSUE DATE AND DESCRIPTION	DRFT	CHKD
DESIGNED BY	CASTIGLIONE	DATE	JAN 07, 2011	MFG DATE		
CHKD		DATE		APPV	D. CRONCH	DATE
						MAR 30, 2011
DIVISION	Interconnect Solutions	DIVISION CODE	ISD	© 3M COPYRIGHT 2012		
DO NOT SCALE DRAWING	SCALE 6-1	TOLERANCES EXCEPT AS NOTED		This document and the information it contains are 3M property and may not be reproduced or further distributed without 3M permission, or used or disclosed other than for 3M authorized purposes. All rights reserved.		
THIRD ANGLE PROJECTION		INCHES	.00 ± .006 .000 ± .006 .0000 ± .005	TITLE		
INTERPRET PER ASME Y14.5 - 1994		MILLIMETERS	0 ± .0 ± .15 .00 ± .15 .000 ± .13	3M SHRUNK DELTA RIBBON (SDR) CONN. 122XX-82X0-00XX		
MAX SURFACE ROUGHNESS		MARKED ONLY		CAGE NUMBER	D	78-5100-2125-2
				MODEL	12200	REV. F
				DATE	JUN 01, 2011	SHT 1 OF 2

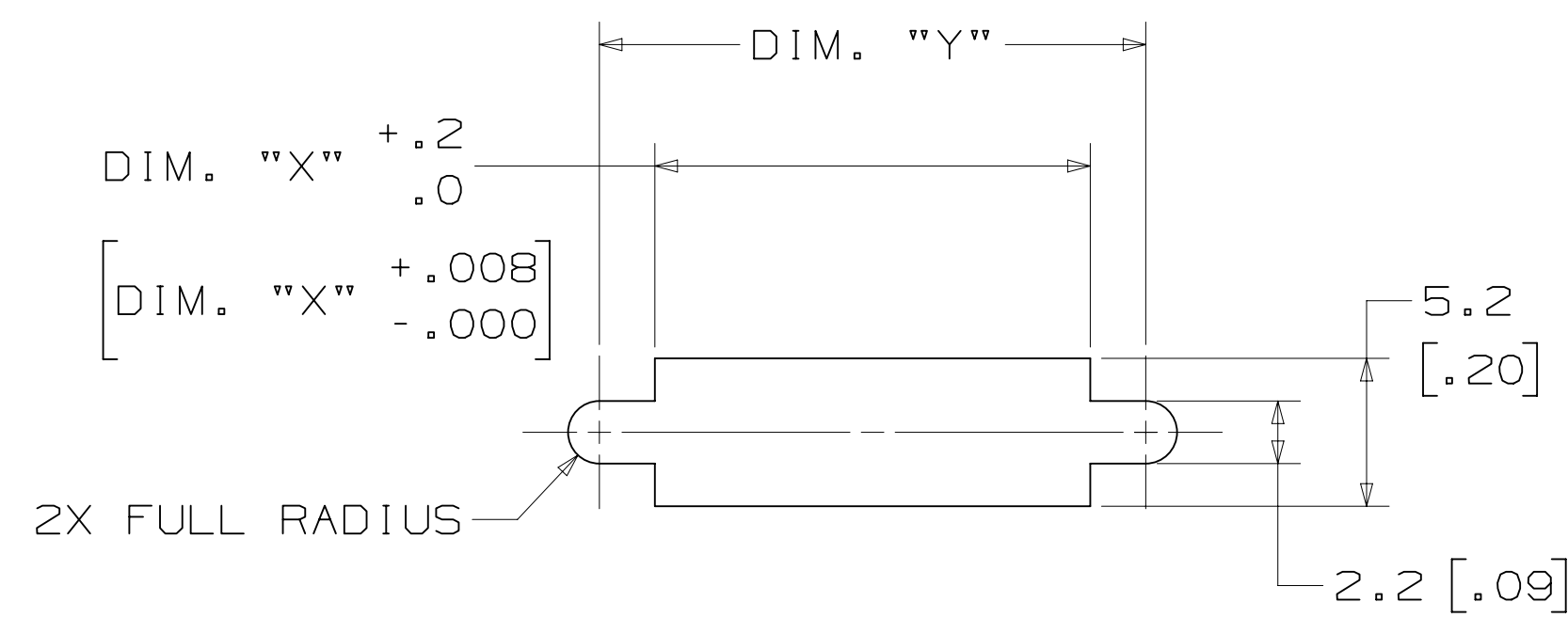


178-5100-2125-2
DRAWING NUMBER

3M™ Shrunk Delta Ribbon (SDR) Connectors, 122 Series
 .80 mm Surface Mount, Right Angle Receptacle, Shielded



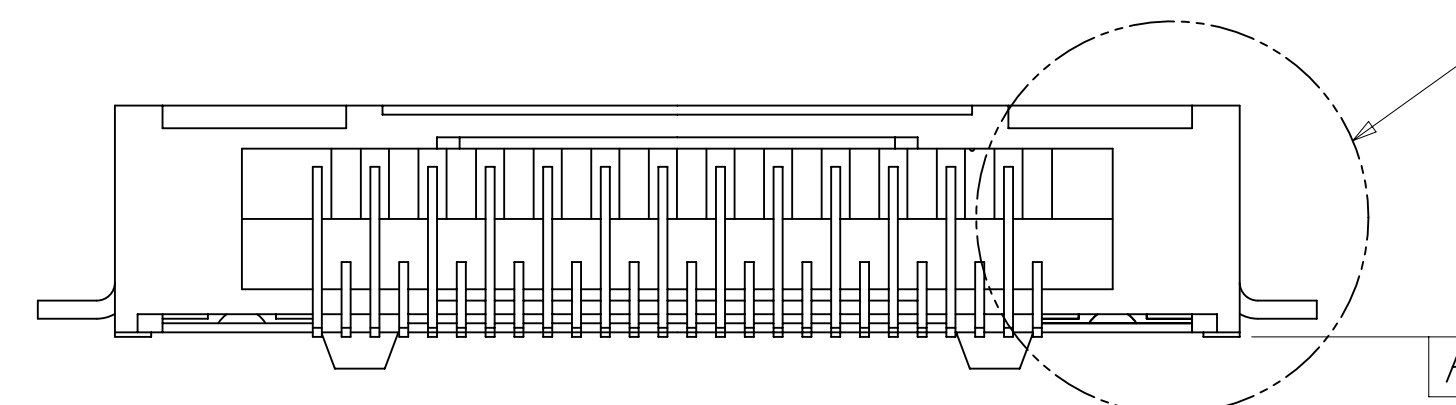
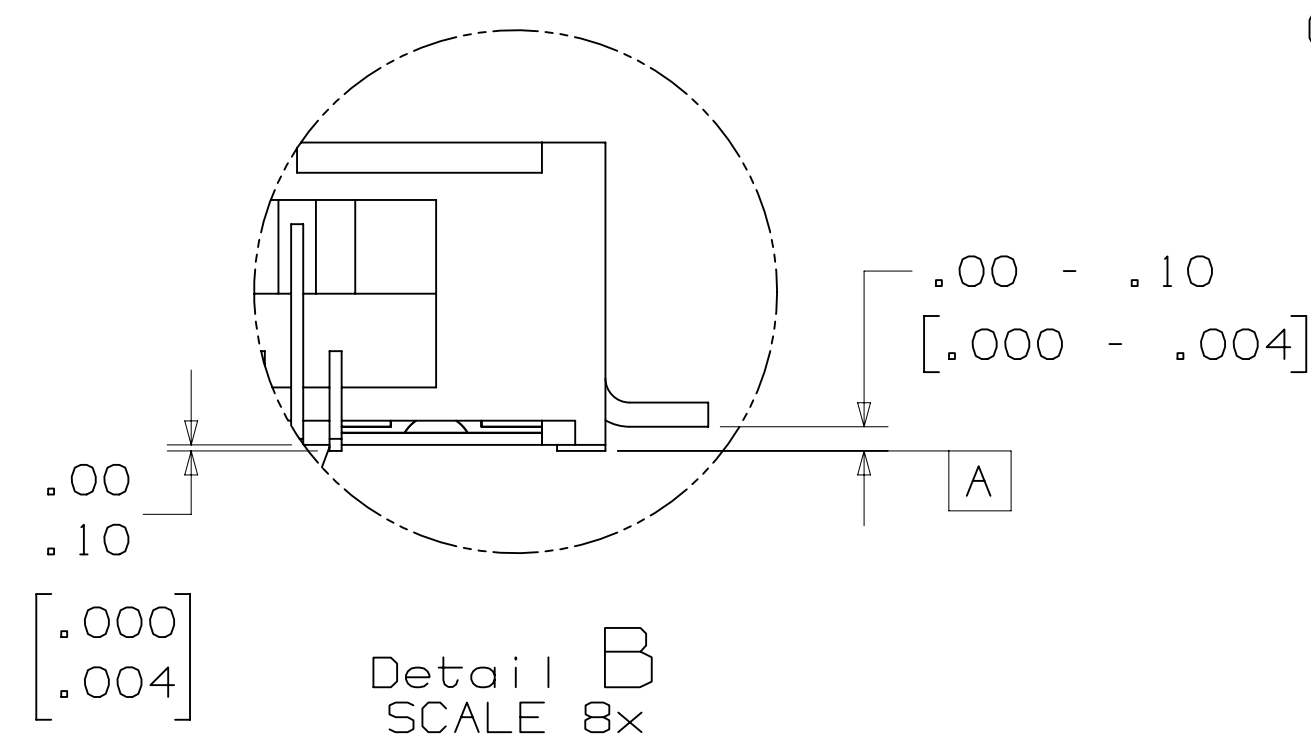
RECOMMENDED PC BOARD LAYOUT
 (MOUNT SIDE VIEW)
 N = TOTAL NUMBER OF POSITIONS
 SCALE 6X



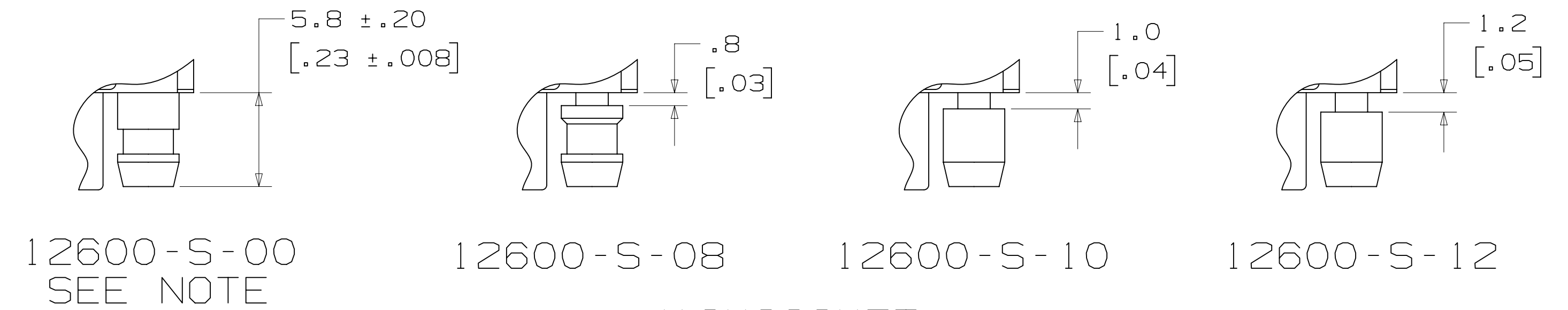
RECOMMENDED PANEL CUT-OUT
 (MAXIMUM PANEL THICKNESS 1.2MM)

POSITION	DIM. "X"	DIM. "Y"
14	10.5 [.41]	14.4 [.57]
26	15.3 [.60]	19.2 [.76]

RECOMMENDED PANEL CUT-OUT DIMENSION TABLE
 TABLE 2



THE DIMENSION OF PIN TAILS LOWER SURFACE TO DATUM "A" SURFACE: 0.00 TO 0.10 [.000 TO .004].
 NOTE: THE CONNECTOR SHOULD BE ON FLAT FIXTURE SURFACE WHEN THE DIMENSIONS ARE MEASURED.



JACKSOCKET
 M2 X 0.4

NOTE: JACKSOCKET 12600-S-00 COMES FACTORY INSTALLED IN CONNECTOR 122XX-8250-00FR. IT IS FIXED WITH THREAD LOCKING ADHESIVE AND CANNOT BE REMOVED.

PANEL THICKNESS	CONNECTOR	JACKSOCKET
NO PANEL	122XX-8250-00XX	FACTORY INSTALLED (SEE NOTE)
0.8 ± 0.1 MM	122XX-8200-00XX	12600-S-08 (ORDER SEPARATELY)
1.0 ± 0.1 MM	122XX-8200-00XX	12600-S-10 (ORDER SEPARATELY)
1.2 ± 0.1 MM	122XX-8200-00XX	12600-S-12 (ORDER SEPARATELY)

SELECTION TABLE FOR PANEL MOUNTING
 TABLE 3

ORDERING INFORMATION:
 122XX-82X0-00XX

CONTACT QUANTITY
 (SEE TABLE 1)

PLATING OPTION:

FR = 50-100 μ " NICKEL UNDERPLATE
 30 μ " GOLD MIN. WIPE AREA
 FLASH GOLD TERM AREA (TAIL)

PL = 50-100 μ " NICKEL UNDERPLATE
 8 μ " GOLD MIN. WIPE AREA
 FLASH GOLD TERM AREA (TAIL)

SCREW LOCK OPTION: (SEE TABLE 3)

0=NONE
 (RIA E1 & C1 APPLY)
 5=WITH 12600-S-00 NON-REMOVABLE SCREW LOCK
 (RIA E5 & C3 APPLY)

F 40541	MAY 01, 2012	ARM DFC
E 30752	JAN 05, 2011	JNC SC
REV	ISSUE DATE AND DESCRIPTION	DRFT
ECO	DATE	CHKD
CASTIGLIONE	JAN 07, 2011	DATE
CHKD	DATE	DATE
	APPRV D. CRONCH	DATE MAR 30, 2011

DESIGN REFERENCE	NEXT ASSEMBLY	REVISION	DATE	DESCRIPTION	DRFT	CHKD	
INTERCONNECT SOLUTIONS	ISD						
DO NOT SCALE DRAWING	SCALE 4/1	TOLERANCES EXCEPT AS NOTED					
THIRD ANGLE PROJECTION	INTERPRET PER ASME Y14.5 - 1994						
MAX SURFACE ROUGHNESS	0.13						
MARKED ONLY							

3M	3M Center St. Paul, MN 55144	© 3M COPYRIGHT 2012			
This document and the information it contains are 3M property and may not be reproduced or further distributed without 3M permission, or used or disclosed other than for 3M authorized purposes. All rights reserved.					
TITLE					
3M SHRUNK DELTA RIBBON (SDR) CONN. 122XX-82X0-00XX					
CAGE NUMBER	SIZE	DRAWING NO.	REV.		
D 78-5100-2125-2			F		
MODEL	12200	DET	ISTS	YES	NO
SHT 2 OF 2					

Компания «Life Electronics» занимается поставками электронных компонентов импортного и отечественного производства от производителей и со складов крупных дистрибьюторов Европы, Америки и Азии.

С конца 2013 года компания активно расширяет линейку поставок компонентов по направлению коаксиальный кабель, кварцевые генераторы и конденсаторы (керамические, пленочные, электролитические), за счёт заключения дистрибьюторских договоров

Мы предлагаем:

- Конкурентоспособные цены и скидки постоянным клиентам.
- Специальные условия для постоянных клиентов.
- Подбор аналогов.
- Поставку компонентов в любых объемах, удовлетворяющих вашим потребностям.
- Приемлемые сроки поставки, возможна ускоренная поставка.
- Доставку товара в любую точку России и стран СНГ.
- Комплексную поставку.
- Работу по проектам и поставку образцов.
- Формирование склада под заказчика.
- Сертификаты соответствия на поставляемую продукцию (по желанию клиента).
- Тестирование поставляемой продукции.
- Поставку компонентов, требующих военную и космическую приемку.
- Входной контроль качества.
- Наличие сертификата ISO.

В составе нашей компании организован Конструкторский отдел, призванный помогать разработчикам, и инженерам.

Конструкторский отдел помогает осуществить:

- Регистрацию проекта у производителя компонентов.
- Техническую поддержку проекта.
- Защиту от снятия компонента с производства.
- Оценку стоимости проекта по компонентам.
- Изготовление тестовой платы монтаж и пусконаладочные работы.



Тел: +7 (812) 336 43 04 (многоканальный)
Email: org@lifeelectronics.ru