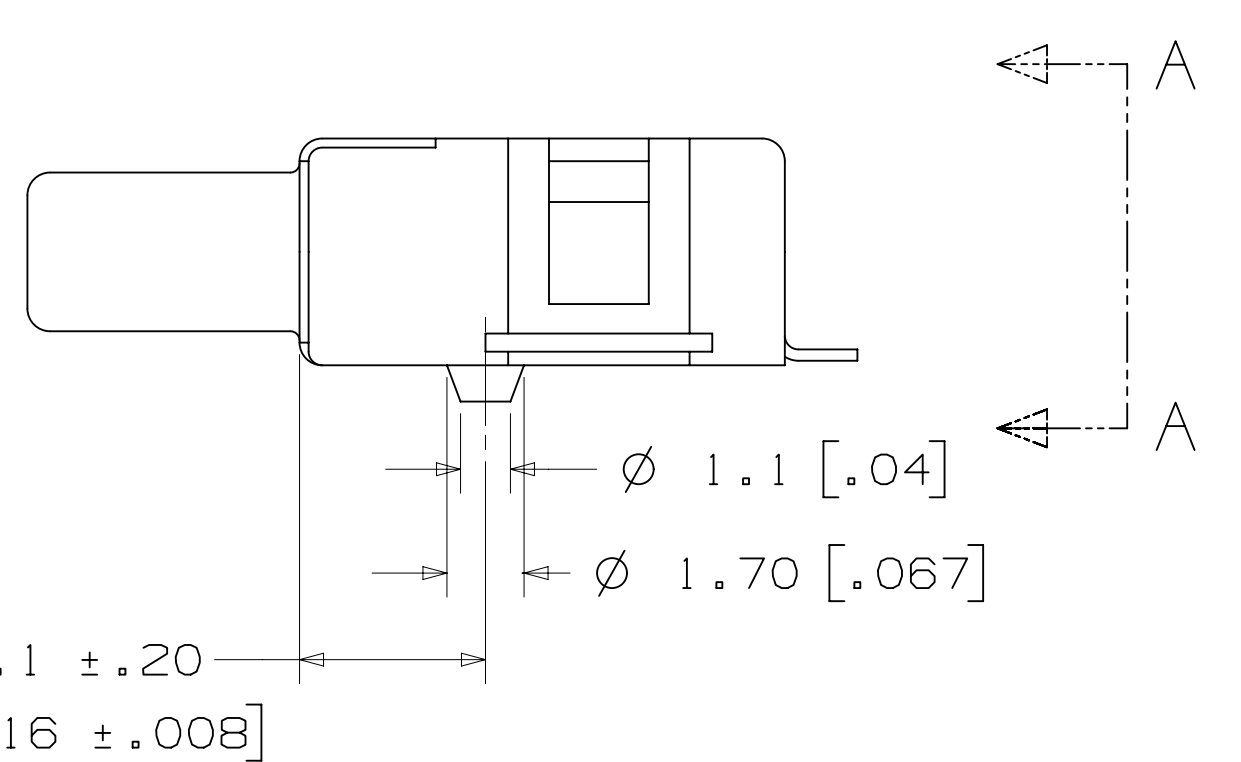
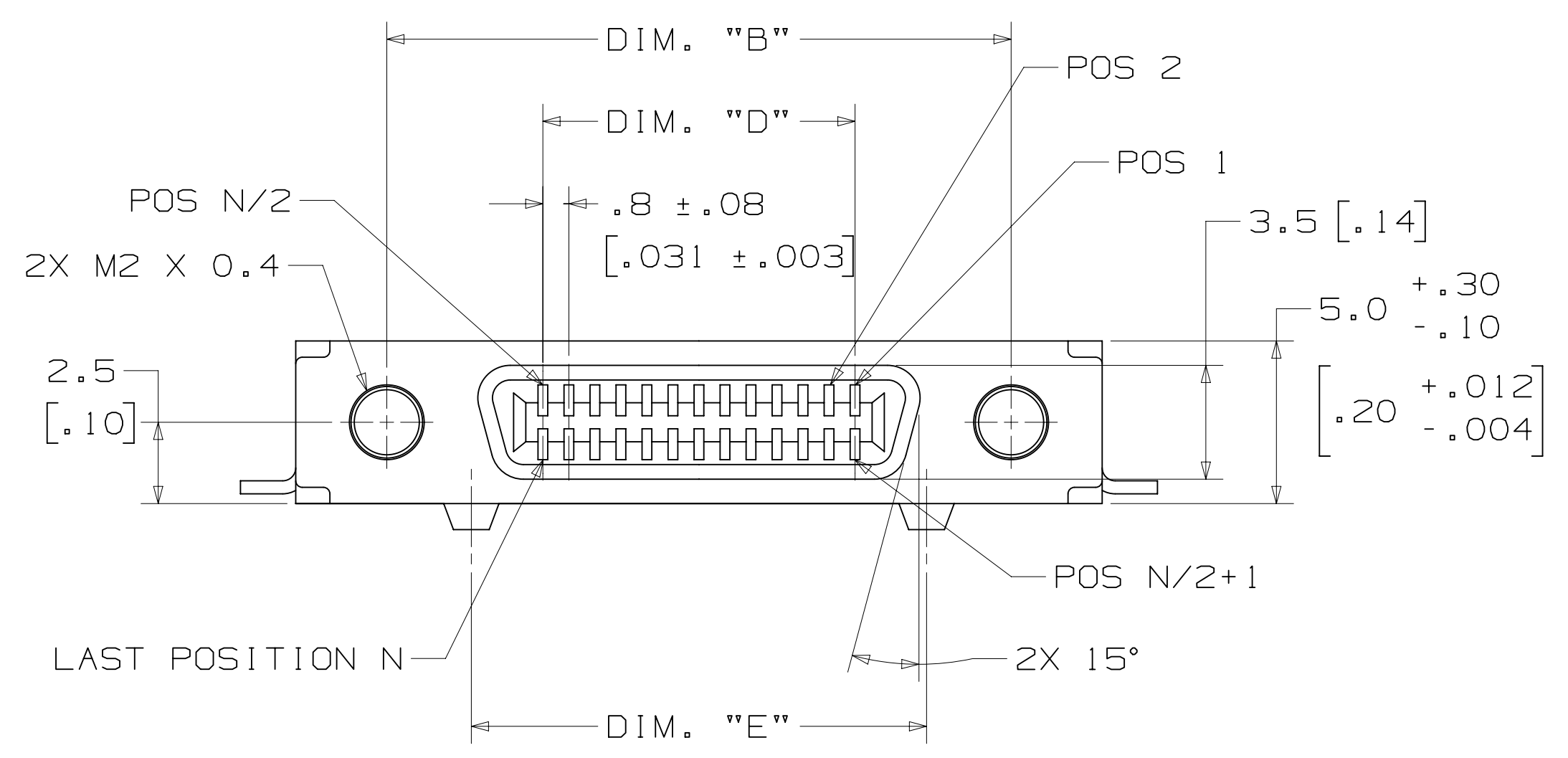
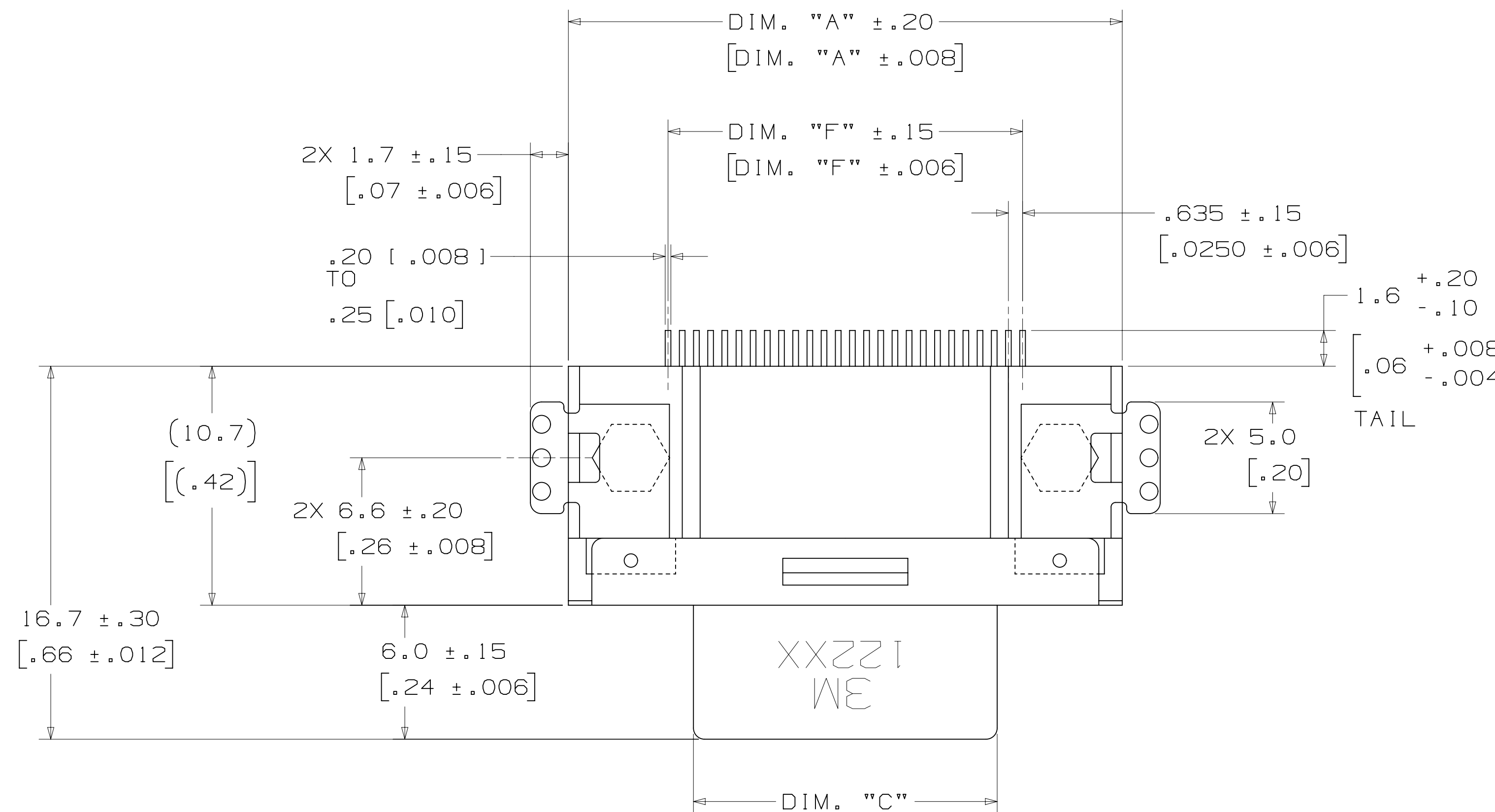


3M™ Shrunk Delta Ribbon (SDR) Connectors, 122 Series
 .80 mm Surface Mount, Right Angle Receptacle, Shielded



POSITION	DIM. "A"	DIM. "B"	DIM. "C"	DIM. "D"	DIM. "E"	DIM. "F"	DIM. "G"
14	20.0 [.79]	14.4 [.57]	8.8 [.35]	4.8 [.19]	9.2 [.36]	8.255 [.3250]	19.0 [.75]
26	24.8 [.98]	19.2 [.76]	13.6 [.54]	9.6 [.38]	14.0 [.55]	15.875 [.6250]	23.8 [.94]

CONNECTOR DIMENSION TABLE
 TABLE 1

- NOTES
- MATERIAL:**
 INSULATION: 14 PIN: PPS, 26 PIN: LCP
 COLOR: BLACK, UL94V-0

CONTACT: COPPER ALLOY
 PLATING:
 SEE ORDERING INFO SHEET 2

SHROUD & LATCH HOOK: STEEL
 PLATING: NICKEL

GROUND LOCK: COPPER ALLOY
 PLATING: SEMI-BRIGHT TIN OVER NICKEL

LOCK SCREW: STEEL
 PLATING: NICKEL

ALIGNMENT PLATE: PPS
 COLOR: BLACK, UL94V-0

EARTH PLATE: COPPER ALLOY
 PLATING: TIN

HEX NUT: BRASS
 - MARKING: 3M LOGO AND PART NUMBER.**
 - ELECTRICAL:**
 CURRENT RATING: 0.5 A
 INSULATION RESISTANCE: 500 MΩ MIN AT 250 V_{DC}
 WITHSTANDING VOLTAGE: 350 V_{AC} FOR 1 MINUTE
 - ENVIRONMENTAL:**
 TEMPERATURE RATING:
 -40°C TO +70°C

PROCESS RATING:
 REFLOW: PREHEAT 150° TO 180°C,
 90 TO 120 SECONDS
 30 TO 60 SECONDS, PEAK TEMPERATURE
 IS 250°C MAX.
 SOLDER IRON: 380°C MAX, 3 SECONDS MAX.
 - IN THE EVENT OF CONFLICT BETWEEN THIS DATA AND THAT CONTAINED IN THE PRODUCT SPECIFICATION, THE PRODUCT SPECIFICATION TAKES PRECEDENT.
 - FOR VARIOUS PANEL THICKNESS JACKSOCKETS REFER TO TS-0142.
 - SEE REGULATORY INFORMATION APPENDIX (RIA) IN THE "ROHS COMPLIANCE" SECTION OF WWW.3MCONNECTOR.COM FOR COMPLIANCE INFORMATION.

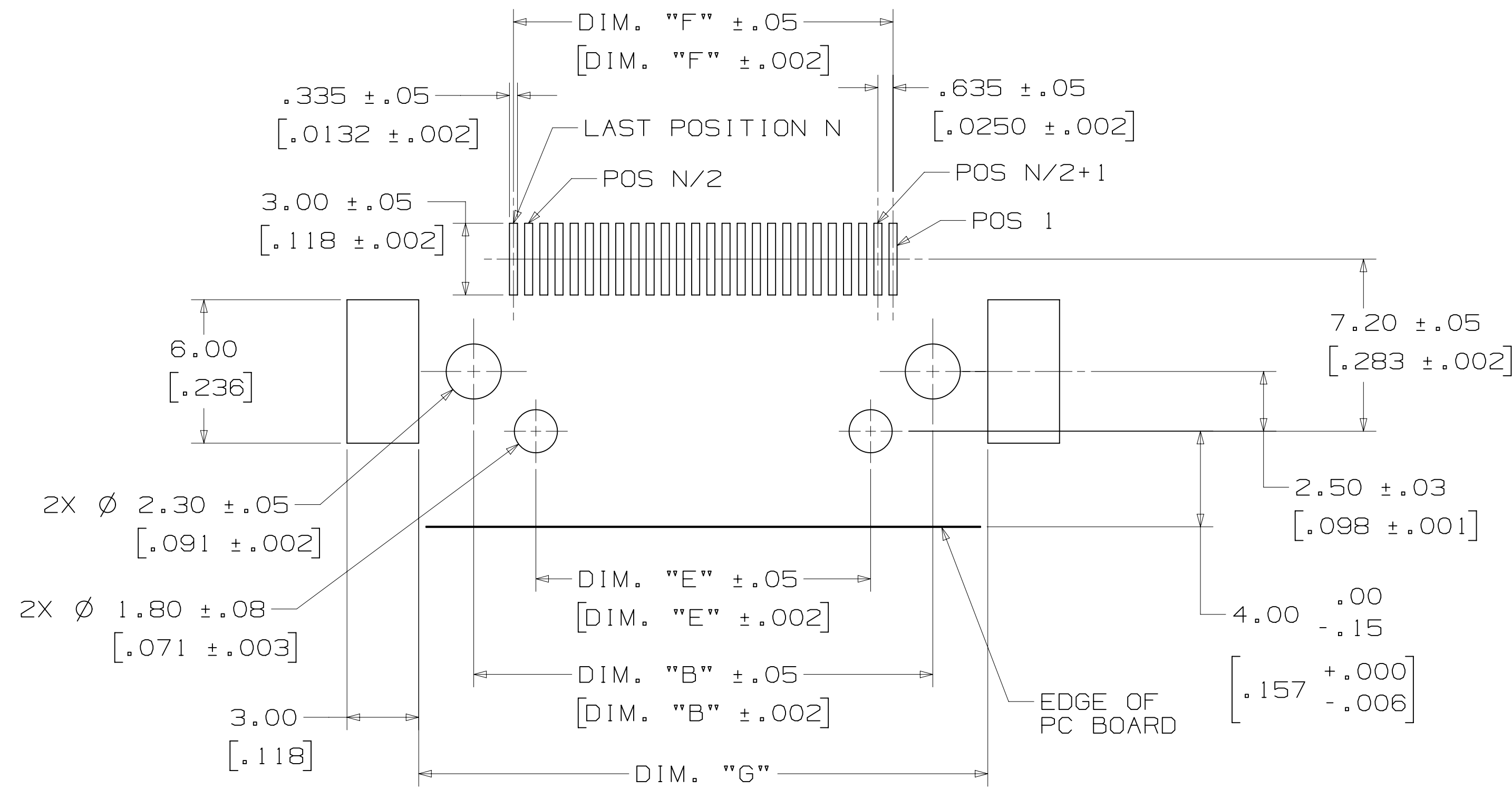
DIMENSIONS ARE IN MM.
 SECONDARY ARE IN [INCHES]
 AND ARE FOR REFERENCE ONLY

REV	ECO	ISSUE DATE AND DESCRIPTION	DRFT	CHKD
1	ECO	JAN 07, 2011 REVISED AND REDRAWN	JNC	SC
2	ECO	MAY 01, 2012 ADD 'PL' PLATING SPEC	ARM	DFC

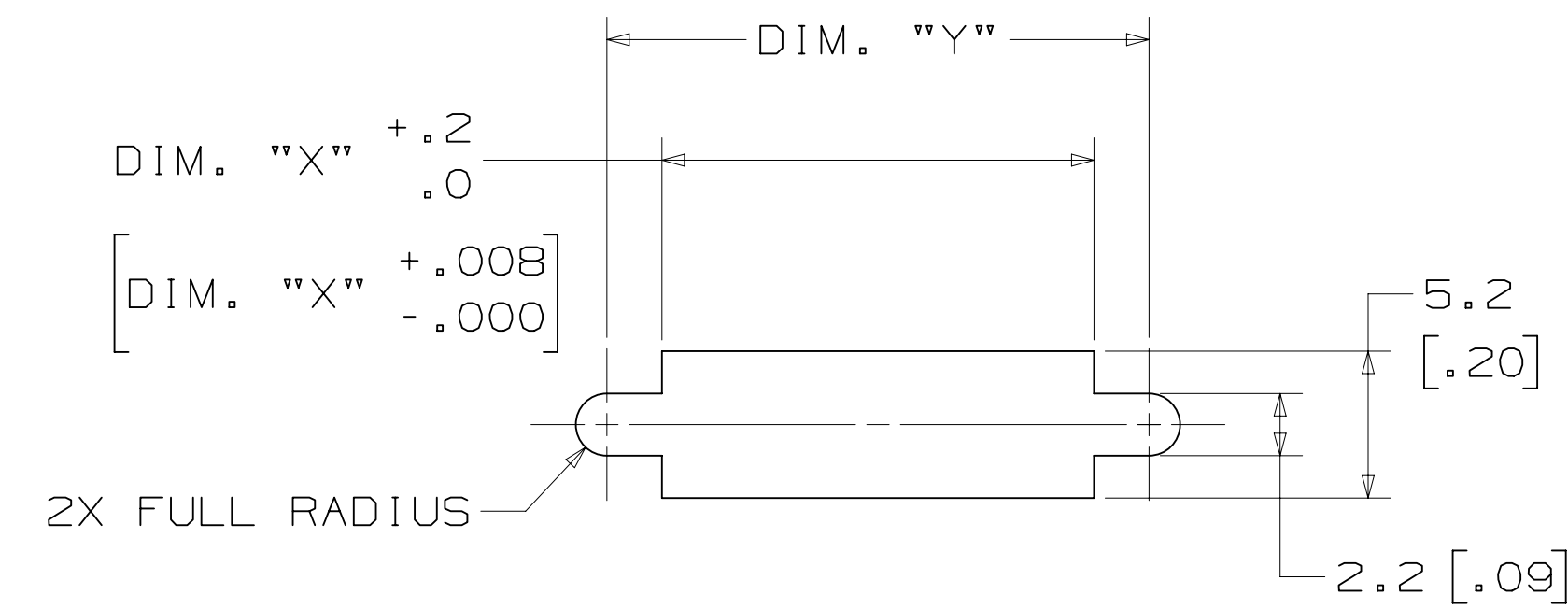
DESIGN REFERENCE	NEXT ASSEMBLY
DATE	DATE
APPV	DATE
CHKD	DATE
DIVISION CODE	
Interconnect Solutions	ISD
DO NOT SCALE DRAWING	SCALE
1	6
TOLERANCES EXCEPT AS NOTED	
INCHES	
0.00 ± .006	
.000 ± .006	
.0000 ± .005	
MILLIMETERS	
0 ±	
.0 ± .15	
.00 ± .15	
.000 ± .13	
MARKED ONLY	
INTERPRET PER ASME Y14.5 - 1994	
THIRD ANGLE PROJECTION	
CAGE NUMBER	DRAWING NO.
D	78-5100-2125-2
MODEL	12200
REV.	F
DET	SHT 1 OF 2
ISTs	YES X NO



3M™ Shrunk Delta Ribbon (SDR) Connectors, 122 Series
 .80 mm Surface Mount, Right Angle Receptacle, Shielded



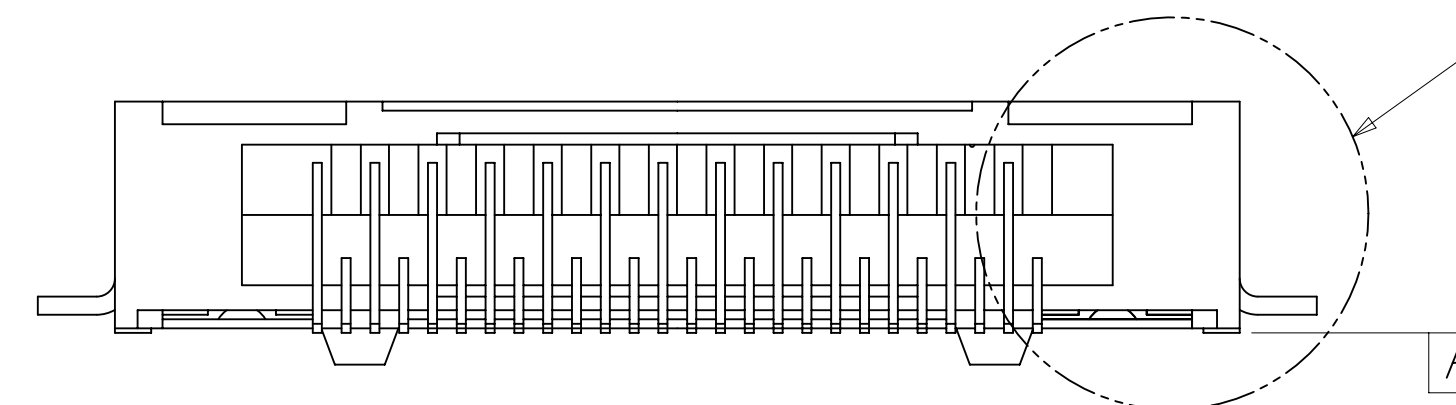
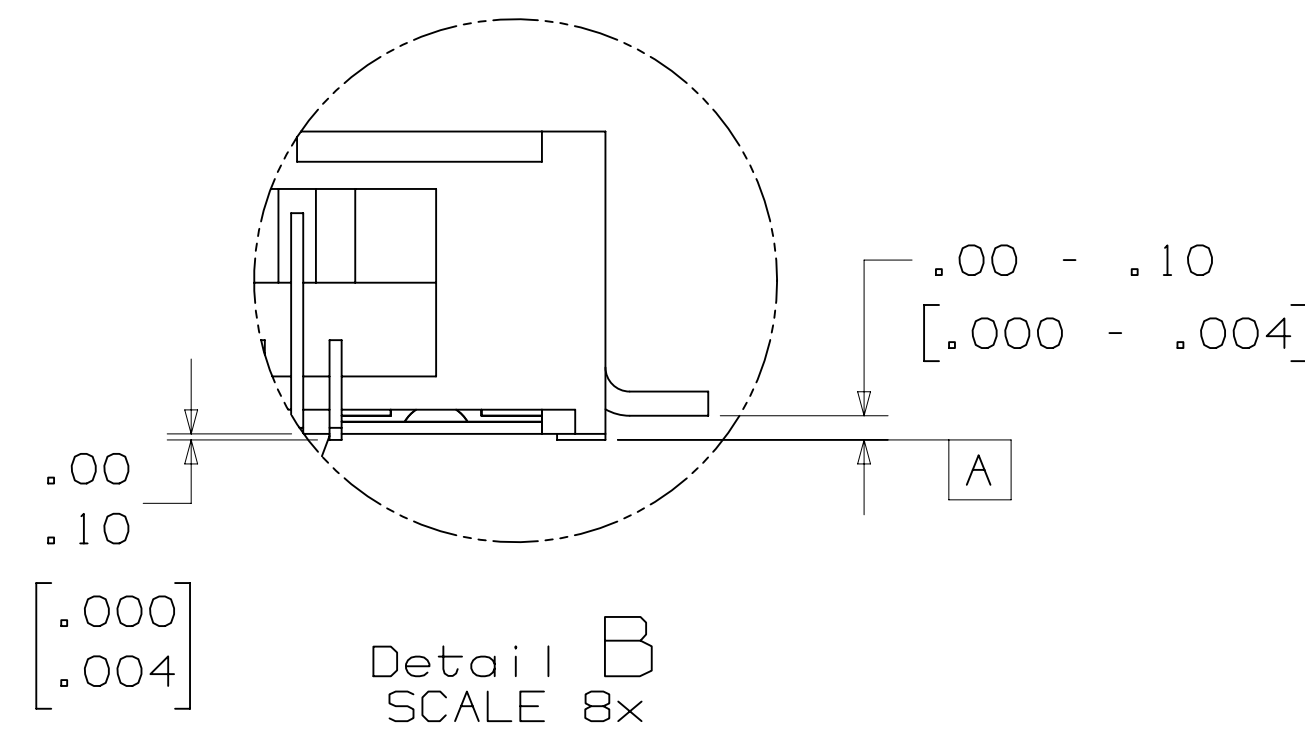
RECOMMENDED PC BOARD LAYOUT
 (MOUNT SIDE VIEW)
 N = TOTAL NUMBER OF POSITIONS
 SCALE 6X



RECOMMENDED PANEL CUT-OUT
 (MAXIMUM PANEL THICKNESS 1.2MM)

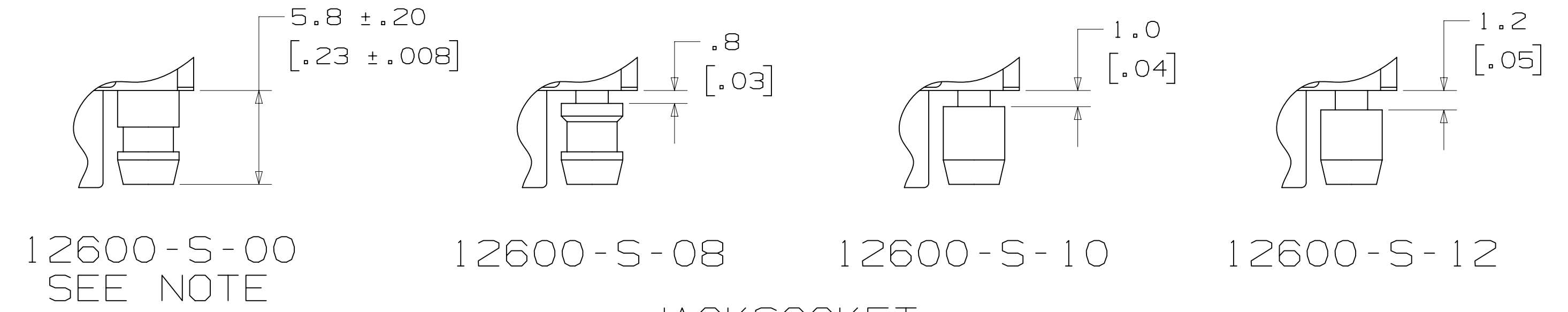
POSITION	DIM. "X"	DIM. "Y"
14	10.5 [.41]	14.4 [.57]
26	15.3 [.60]	19.2 [.76]

RECOMMENDED PANEL CUT-OUT DIMENSION TABLE
 TABLE 2



VIEW A-A
 SCALE 6X

THE DIMENSION OF PIN TAILS LOWER SURFACE TO DATUM "A" SURFACE: 0.00 TO 0.10 [.000 TO .004].
 NOTE: THE CONNECTOR SHOULD BE ON FLAT FIXTURE SURFACE WHEN THE DIMENSIONS ARE MEASURED.



JACKSOCKET
 M2 X 0.4

NOTE: JACKSOCKET 12600-S-00 COMES FACTORY INSTALLED IN CONNECTOR 122XX-8250-00FR. IT IS FIXED WITH THREAD LOCKING ADHESIVE AND CANNOT BE REMOVED.

PANEL THICKNESS	CONNECTOR	JACKSOCKET
NO PANEL	122XX-8250-00XX	FACTORY INSTALLED (SEE NOTE)
0.8±0.1MM	122XX-8200-00XX	12600-S-08 (ORDER SEPARATELY)
1.0±0.1MM	122XX-8200-00XX	12600-S-10 (ORDER SEPARATELY)
1.2±0.1MM	122XX-8200-00XX	12600-S-12 (ORDER SEPARATELY)

SELECTION TABLE FOR PANEL MOUNTING
 TABLE 3

ORDERING INFORMATION:
 122XX-82X0-00XX

CONTACT QUANTITY (SEE TABLE 1)

PLATING OPTION:

- FR = 50-100μ" NICKEL UNDERPLATE
 30μ" GOLD MIN. WIPE AREA
 FLASH GOLD TERM AREA (TAIL)
- PL = 50-100μ" NICKEL UNDERPLATE
 8μ" GOLD MIN. WIPE AREA
 FLASH GOLD TERM AREA (TAIL)

SCREW LOCK OPTION: (SEE TABLE 3)

- 0=NONE (RIA E1 & C1 APPLY)
- 5=WITH 12600-S-00 NON-REMOVABLE SCREW LOCK (RIA E5 & C3 APPLY)

DESIGN REFERENCE	NEXT ASSEMBLY	REV	ECO	ISSUE DATE AND DESCRIPTION	DRFT	CHKD
		F	40541	MAY 01, 2012 ADD 'PL' PLATING SPEC	ARM	DFC
		E	30752	JAN 05, 2011 REVISED AND REDRAWN	JNC	SC
DIVISION	INTERCONNECT SOLUTIONS	DATE	JAN 07, 2011	DATE		
DRG	CASFIGLIONE	DATE	JAN 07, 2011	DATE		
APPV	D. CRONCH	DATE	MAR 30, 2011	DATE		
DO NOT SCALE DRAWING	SCALE 4 1	TOLERANCES EXCEPT AS NOTED				
THIRD ANGLE PROJECTION	INTERPRET PER ASME Y14.5 - 1994	TOLERANCES EXCEPT AS NOTED				
MAX SURFACE ROUGHNESS	12 SURFACES	TOLERANCES EXCEPT AS NOTED				
MARKED ONLY		TOLERANCES EXCEPT AS NOTED				

REV	ECO	ISSUE DATE AND DESCRIPTION	DRFT	CHKD
F	40541	MAY 01, 2012 ADD 'PL' PLATING SPEC	ARM	DFC
E	30752	JAN 05, 2011 REVISED AND REDRAWN	JNC	SC

© 3M COPYRIGHT 2012 This document and the information it contains are 3M property and may not be reproduced or further distributed without 3M permission, or used or disclosed other than for 3M authorized purposes. All rights reserved.			
TITLE 3M SHRUNK DELTA RIBBON (SDR) CONN. 122XX-82X0-00XX			
CAGE NUMBER	SIZE	DRAWING NO.	REV.
D	78-5100-2125-2	F	
MODEL	12200	DET	ISTS YES X NO SHT 2 OF 2

Компания «Life Electronics» занимается поставками электронных компонентов импортного и отечественного производства от производителей и со складов крупных дистрибьюторов Европы, Америки и Азии.

С конца 2013 года компания активно расширяет линейку поставок компонентов по направлению коаксиальный кабель, кварцевые генераторы и конденсаторы (керамические, пленочные, электролитические), за счёт заключения дистрибьюторских договоров

Мы предлагаем:

- Конкурентоспособные цены и скидки постоянным клиентам.
- Специальные условия для постоянных клиентов.
- Подбор аналогов.
- Поставку компонентов в любых объемах, удовлетворяющих вашим потребностям.
- Приемлемые сроки поставки, возможна ускоренная поставка.
- Доставку товара в любую точку России и стран СНГ.
- Комплексную поставку.
- Работу по проектам и поставку образцов.
- Формирование склада под заказчика.
- Сертификаты соответствия на поставляемую продукцию (по желанию клиента).
- Тестирование поставляемой продукции.
- Поставку компонентов, требующих военную и космическую приемку.
- Входной контроль качества.
- Наличие сертификата ISO.

В составе нашей компании организован Конструкторский отдел, призванный помогать разработчикам, и инженерам.

Конструкторский отдел помогает осуществить:

- Регистрацию проекта у производителя компонентов.
- Техническую поддержку проекта.
- Защиту от снятия компонента с производства.
- Оценку стоимости проекта по компонентам.
- Изготовление тестовой платы монтаж и пусконаладочные работы.



Тел: +7 (812) 336 43 04 (многоканальный)

Email: org@lifeelectronics.ru