

AMPHENOL PART NUMBER CONFIGURATION U90-B105-XXX1-XX0

CAGE & CONNECTOR CONTACT PLATING

4 = 0.76 µm MIN. GOLD OVER 1.27-3.81 µm OF NICKEL ON MATING AREA
0.381-1.52 µm OF MATTE TIN OVER 1.27-3.81 µm OF NICKEL ON PRESS FIT TAIL AREA.
Ni PLATING FOR CAGE

VENT HOLES AND EMI COVER

0 = WITH LARGE HOLES & WITH EMI COVER
2 = WITH SMALL VENT HOLES & WITH EMI COVER
4 = WITH RECTANGULAR VENT HOLES & WITH EMI COVER

EMI GASKET

0 = NO GASKET, NO GASKET SUPPORT
1 = CHOMERICS 1273 CONDUCTIVE ELASTOMER; UL RATED 94-V0
2 = CHOMERICS S6305 CONDUCTIVE ELASTOMER

OPTIONAL LIGHT PIPES

6 = WITH LIGHT PIPE (TRIANGULAR OUTLET)
LEFT ARROW POINTING BOTTOM PORT &
RIGHT ARROW POINTING TOP PORT (UL RATED 94-V0)
7 = WITHOUT LIGHT PIPE
8 = WITH LIGHT PIPE (REVERSED DIRECTION)
LEFT ARROW POINTING TOP PORT &
RIGHT ARROW POINTING BOTTOM PORT (UL RATED 94-V0)

OPTIONAL DUST COVER

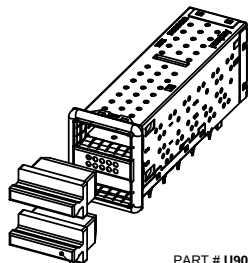
0 = WITHOUT DUST COVER
D = WITH DUST COVER

THIS IS A CAD DRAWING. DO NOT MANUALLY REVISE.

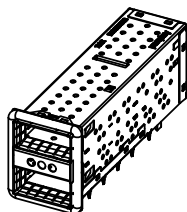
▽ Δ REFERENCE VIEW FOR OPTION 6 ONLY

Δ ▽ REFERENCE VIEW FOR OPTION 8 ONLY

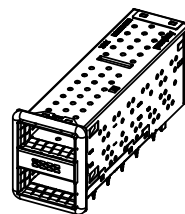
PART # U90-B105-4D71-X20 SHOWN
(CAGE & CONNECTOR ASSEMBLY,
WITH DUST COVER AND WITHOUT LIGHT PIPE)



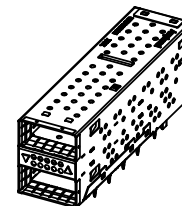
PART # U90-B105-4071-X00 SHOWN
(CAGE & CONNECTOR ASSEMBLY,
WITHOUT DUST COVER AND WITHOUT LIGHT PIPE)



PART # U90-B105-4071-X40 SHOWN
(CAGE & CONNECTOR ASSEMBLY,
WITHOUT DUST COVER AND WITHOUT LIGHT PIPE)

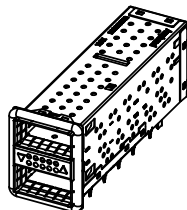


PART # U90-B105-4061-020 SHOWN
(CAGE & CONNECTOR ASSEMBLY,
WITHOUT DUST COVER AND WITH LIGHT PIPE,
NO GASKET AND NO GASKET SUPPORT)

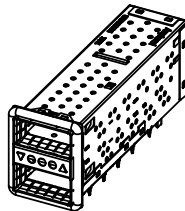


OPTIONAL DUST COVER
P/N U79-111-9000-P
(SHIPPED LOOSE)

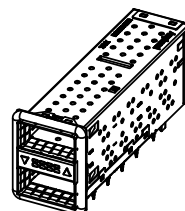
PART # U90-B105-4061-X20 SHOWN
(CAGE & CONNECTOR ASSEMBLY,
WITHOUT DUST COVER AND WITH LIGHT PIPE)



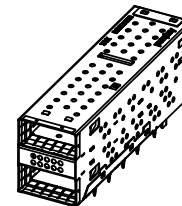
PART # U90-B105-4061-X00 SHOWN
(CAGE & CONNECTOR ASSEMBLY,
WITHOUT DUST COVER AND WITH LIGHT PIPE)



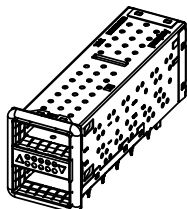
PART # U90-B105-4061-X40 SHOWN
(CAGE & CONNECTOR ASSEMBLY,
WITHOUT DUST COVER AND WITH LIGHT PIPE)



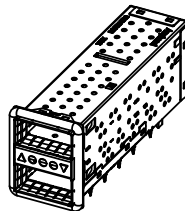
PART # U90-B105-4071-020 SHOWN
(CAGE & CONNECTOR ASSEMBLY,
WITHOUT DUST COVER AND WITH LIGHT PIPE,
NO GASKET AND NO GASKET SUPPORT)



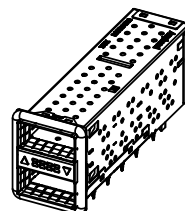
PART # U90-B105-4081-X20 SHOWN
(CAGE & CONNECTOR ASSEMBLY,
WITHOUT DUST COVER AND WITH LIGHT PIPE)



PART # U90-B105-4081-X00 SHOWN
(CAGE & CONNECTOR ASSEMBLY,
WITHOUT DUST COVER AND WITH LIGHT PIPE)



PART # U90-B105-4081-X40 SHOWN
(CAGE & CONNECTOR ASSEMBLY,
WITHOUT DUST COVER AND WITH LIGHT PIPE)



NOTES:

- MATERIAL
CAGE-PRESS FIT: COPPER ALLOY, NICKEL PLATED
CONNECTOR-PRESS FIT: PLASTIC HOUSING, FLAMMABILITY RATING UL94 V-0.

CONTACTS : PHOSPHOR BRONZE
PLATING OPTION: SEE AMPHENOL PART NO CONFIGURATION

EMI GASKET: CONDUCTIVE ELASTOMER; FOR FLAMMABILITY RATING SEE
AMPHENOL PART NUMBER CONFIGURATION

EMI FINGERS: PHOSPHOR BRONZE WITH NICKEL PLATING

LIGHT PIPE: GE LEXAN, OPTICAL GRADE; UL RATED 94-V0



THIS DOCUMENT CONTAINS PROPRIETARY INFORMATION AND SUCH INFORMATION MAY NOT BE DISCLOSED TO OTHERS FOR ANY PURPOSE OR USED FOR MANUFACTURING PURPOSES WITHOUT WRITTEN PERMISSION FROM AMPHENOL CANADA CORP.

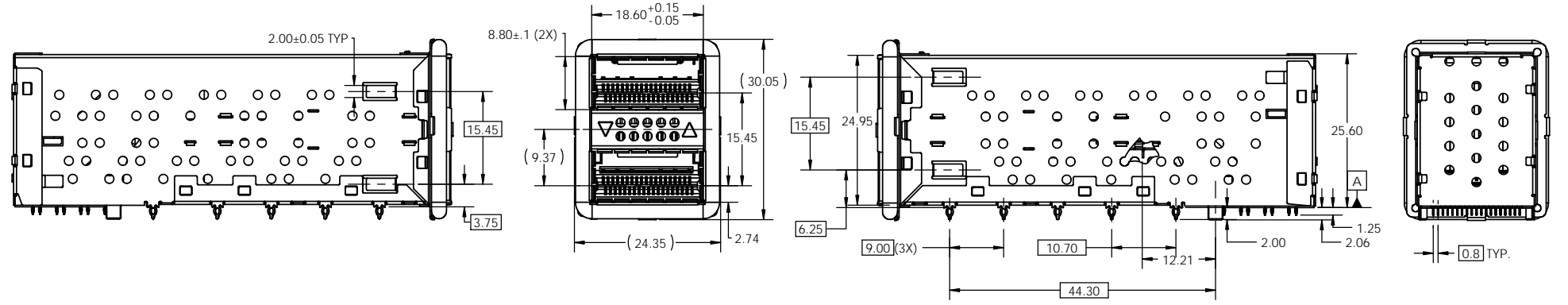
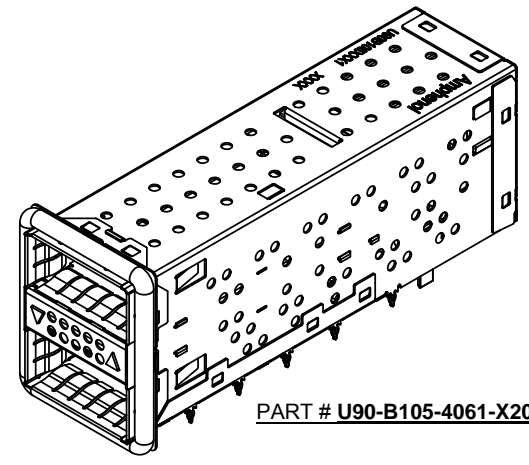
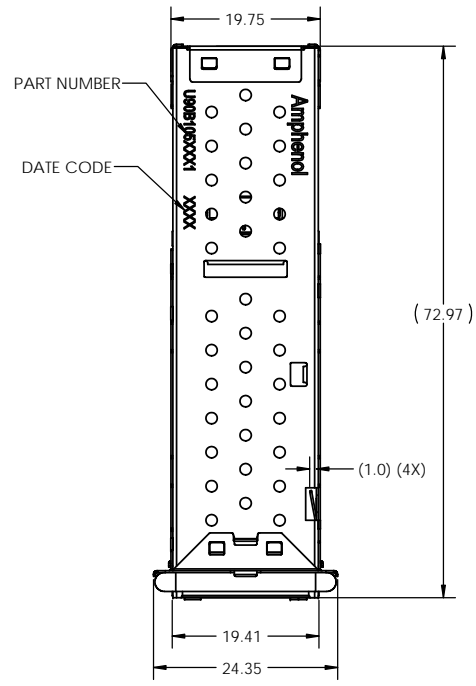
UNLESS SPECIFIED OTHERWISE	DRAWN	Hisen.X	NOV 18,10
PRIMARY UNITS MILLIMETERS	CHECKED	S.M	NOV 19,10
SECONDARY MILLIMETERS	M.E. APP'D		
REFERENCE IN PARENTHESES	Q.A. APP'D		
GENERAL TOLERANCES	DWG APPR.	A.G	NOV 20,10
1. DECIMAL PLACE 0.X ±0.25	ENG. REL. NO.		
2. DECIMAL PLACES 0.XX ±0.13	REF.		
3. ANGULAR DEGREES X° ±1°	THIRD ANGLE PROJECTION		
4. ANGULAR DEGREES X.X° ±0.5°	DO NOT SCALE DRAWING		

Amphenol High Speed Interconnects
A Division of Amphenol Corp. www.amphenol-highspeed.com

QSFP+ 2X1 STACKED COMBO

DWG. NO.	P-U90-B105-XXX1-XX0	REV	R
CODE ID NO.	03554	DWG SIZE:	C
SCALE:	4:1	SHEET 1 OF 4	

REVISIONS			
REV	DESCRIPTION, ECN, EAR NO.	DATE	APP'D
R	SEE PAGE 1	OCT 24/14	KH



THIS DOCUMENT CONTAINS PROPRIETARY INFORMATION AND SUCH INFORMATION MAY NOT BE DISCLOSED TO OTHERS FOR ANY PURPOSE OR USED FOR MANUFACTURING PURPOSES WITHOUT WRITTEN PERMISSION FROM AMPHENOL CANADA CORP.

UNLESS SPECIFIED OTHERWISE	DRAWN	Hisen.X	NOV 18,10
PRIMARY UNITS MILLIMETERS	CHECKED	S.M	NOV 19,10
SECONDARY MILLIMETERS	M.E. APP'D		
REFERENCE IN PARENTHESES	Q.A. APP'D		
GENERAL TOLERANCES	DWG APPR.	A.G	NOV 20,10
1. DECIMAL PLACE 0.X±0.25	ENG. REL. NO.		
2. DECIMAL PLACES 0.XX±0.13	REF.		
3. ANGULAR DEGREES X°±1°	THIRD ANGLE PROJECTION		
4. ANGULAR DEGREES X.X°±0.5°	DO NOT SCALE DRAWING		

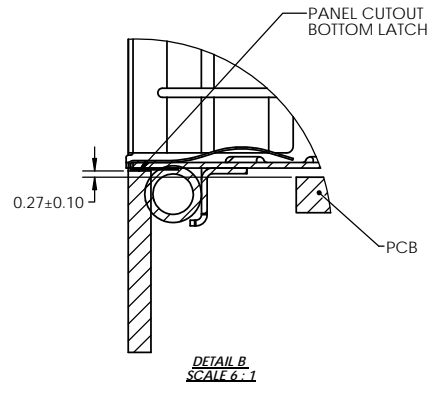
Amphenol High Speed Interconnects
A Division of Amphenol Corp. www.amphenol-highspeed.com

QSFP+ 2X1 STACKED COMBO

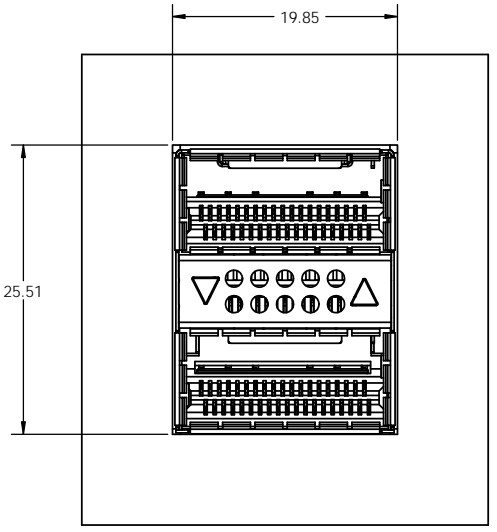
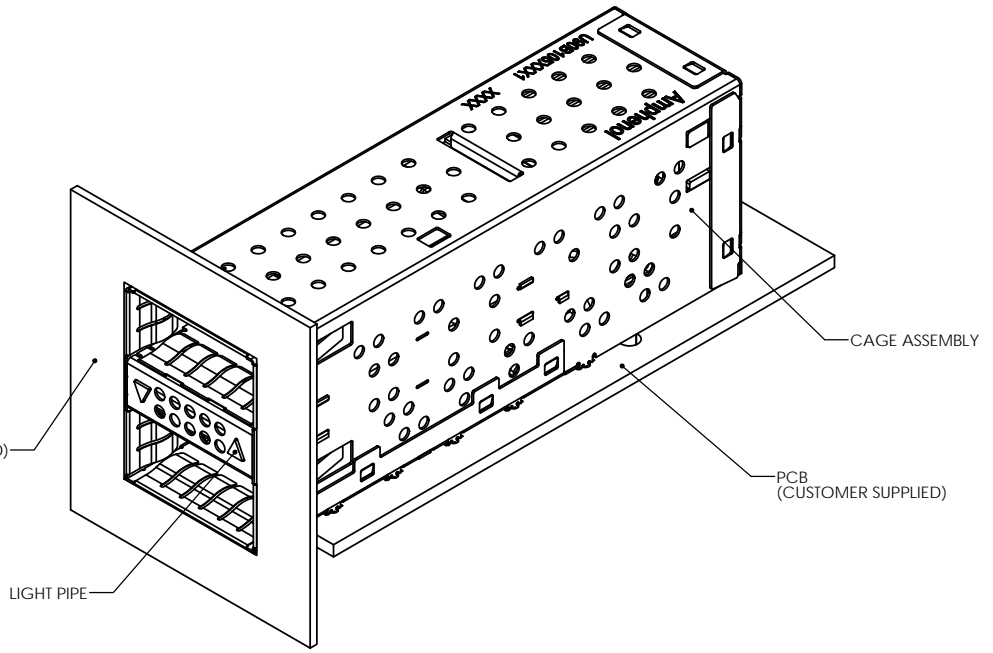
DWG. NO. **P-U90-B105-XXX1-XX0** REV **R**

CODE ID NO. 03554 DWG SIZE: C SCALE: 4:1 SHEET 2 OF 4

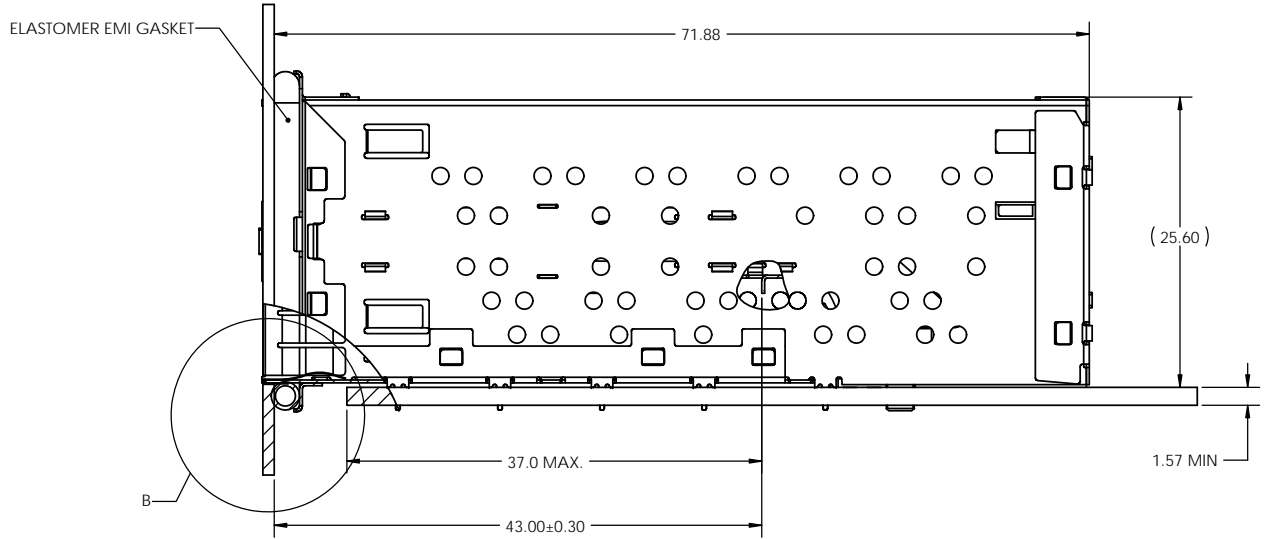
REVISIONS			
REV	DESCRIPTION, ECN, EAR NO.	DATE	APP'D
R	SEE PAGE 1	OCT 24/14	KH



FRONT PANEL
(CUSTOMER SUPPLIED)



RECOMMENDED PANEL CUTOUT



UNLESS SPECIFIED OTHERWISE	DRAWN	Hisen.X	NOV 18,10
PRIMARY UNITS MILLIMETERS	CHECKED	S.M	NOV 19,10
SECONDARY MILLIMETERS	M.E. APP'D		
REFERENCE IN PARENTHESES	Q.A. APP'D		
GENERAL TOLERANCES	DWG APPR.	A.G	NOV 20,10
1. DECIMAL PLACE 0.X±0.25	ENG. REL. NO.		
2. DECIMAL PLACES 0.XX±0.13	REF.		
3. ANGULAR DEGREES X°±1°	THIRD ANGLE PROJECTION		
4. ANGULAR DEGREES X.X°±0.5°	DO NOT SCALE DRAWING		

Amphenol High Speed Interconnects
A Division of Amphenol Corp. www.amphenol-highspeed.com

QSFP+ 2X1 STACKED COMBO

DWG. NO. **P-U90-B105-XXX1-XX0** REV **R**

CODE ID NO. 03554 DWG SIZE: C SCALE: 4:1 SHEET 4 OF 4

THIS DOCUMENT CONTAINS PROPRIETARY INFORMATION AND SUCH INFORMATION MAY NOT BE DISCLOSED TO OTHERS FOR ANY PURPOSE OR USED FOR MANUFACTURING PURPOSES WITHOUT WRITTEN PERMISSION FROM AMPHENOL CANADA CORP.

Компания «Life Electronics» занимается поставками электронных компонентов импортного и отечественного производства от производителей и со складов крупных дистрибьюторов Европы, Америки и Азии.

С конца 2013 года компания активно расширяет линейку поставок компонентов по направлению коаксиальный кабель, кварцевые генераторы и конденсаторы (керамические, пленочные, электролитические), за счёт заключения дистрибьюторских договоров

Мы предлагаем:

- Конкурентоспособные цены и скидки постоянным клиентам.
- Специальные условия для постоянных клиентов.
- Подбор аналогов.
- Поставку компонентов в любых объемах, удовлетворяющих вашим потребностям.
- Приемлемые сроки поставки, возможна ускоренная поставка.
- Доставку товара в любую точку России и стран СНГ.
- Комплексную поставку.
- Работу по проектам и поставку образцов.
- Формирование склада под заказчика.
- Сертификаты соответствия на поставляемую продукцию (по желанию клиента).
- Тестирование поставляемой продукции.
- Поставку компонентов, требующих военную и космическую приемку.
- Входной контроль качества.
- Наличие сертификата ISO.

В составе нашей компании организован Конструкторский отдел, призванный помогать разработчикам, и инженерам.

Конструкторский отдел помогает осуществить:

- Регистрацию проекта у производителя компонентов.
- Техническую поддержку проекта.
- Защиту от снятия компонента с производства.
- Оценку стоимости проекта по компонентам.
- Изготовление тестовой платы монтаж и пусконаладочные работы.



Тел: +7 (812) 336 43 04 (многоканальный)

Email: org@lifeelectronics.ru