



Series 291

Precision, Long-life 12mm Optical Encoder

- Available with 4, 6, 8, 24,32, 64 Pulses per Revolution
- Optional Momentary Switch
- Multiple options for terminations, resolution, cable lengths, and operating voltage



Description

The 291 Series allows versatility in design applications by providing highly reliable, precise digital output and long rotational life with our non-contacting design. This product provides flexibility in resolution, power consumption, and operating temperatures. The options of Schmitt trigger, detents, momentary switch, shaft & bushing length, dual shaft, termination styles, torque, operating voltage, and IP ratings provide flexibility to meet your exacting design requirements.

Ordering Information

Series	Termination	Bushing Length	Shaft Length	Shaft Trim	Output Combination	Operating Voltage	Switch	Schmitt Trigger & Locating Lug
291	V1	0	22	F	832	A	B	A

Code	Termination
V1	.050" pitch pins Rear facing .132" length(not for 64 PPR)
P1	.10" pitch pins Rear facing .236" length
*C4	4" ribbon cable With .050" pitch connector terminals (not for 64 PPR)
*C5	5" ribbon cable With .050" pitch connector terminals (not for 64 PPR)
*C6	6" ribbon cable With .050" pitch connector terminals (not for 64 PPR)

Code	Shaft Length "L"
Single shaft structure	
22	.687"
24	.875"
Dual shaft structure	
DD	Outer shaft: .685" Inner shaft: 1.059" (Not available with locating lug, 32 and 64 PPR, see page 8 for additional details)

Code	Spec.
F	Flat
S	Slotted

Code	Spec.
A	None
B	Momentary (not for 64 P)

Code	Spec.
BLANK	Without Schmitt trigger, With locating lug (not for 32, 64 PPR)
A	Without Schmitt trigger, Without locating lug (not for 32, 64 PPR)
S	With Schmitt trigger, Without locating lug
B	With Schmitt trigger, With locating lug

Code	Spec.
A	5.0V
B	3.3V (not for 64 PPR)

Code	Bushing Length "B"
0	.312" For single shaft construction
D	.256" For dual shaft construction (not for 32, 64 PPR)

Output	Combination
832	8 PPR, 32 Detents
624	6 PPR, 24 Detents
416	4 PPR, 16 Detents
800	8 PPR, No Detents
600	6 PPR, No Detents
400	4 PPR, No Detents
X00	24 PPR, No Detents (only available with Schmitt trigger)
X24	24 PPR, 24 Detents (only available with Schmitt trigger)
Y00	32 PPR, No Detents (only available with Schmitt trigger)
Z00	64 PPR, No Detents (only available with Schmitt trigger)

Note: * Cable connector for C4, C5, C6 is AMP P/N 215083-6 or Equivalent

Electrical Specifications

Encoder Function					
Parameter	Conditions & Remarks	Min	Nominal	Max	Unit
Voltage (4, 6, 8, 24, 32 PPR)		4.75	5.0	5.25	VDC
		3.175	3.3	3.425	
Voltage (64 PPR)		4.5	5.0	5.5	VDC
Output Code	2-Bit Quadrature Channel A leads Channel B by 90° during clockwise rotation				
Sink Current	5.0 VDC	2.0mA			
	3.3 VDC	1.0mA			
Power Consumption	5.0 VDC			150	mW
	3.3 VDC			80	mW
Resolution	4, 6, 8, 24, 32, 64				Pulses per Revolution

Mechanical and Environmental

Manual Soldering	Maximum temperature of 350°C for 5 seconds				
RoHS	Lead-Free. Fully compliant to RoHS Directive				
Shock :	Per MIL-STD-883F (100G's)				
Vibration :	Per MIL-STD-883F (15G's)				
IP Rating (4, 6, 8, 24, 32 PPR):	IP 50				
IP Rating (64 PPR):	IP 40				
Packaging :	Standard anti-static tray packaging				
Operating Temperature:	-40°C to +85°C				
Storage Temperature:	-55°C to +100°C				
Storage Temperature: (32, 64 PPR)	-40°C to +100°C				
Rotational Life	No detent @ 30 RPM	3 Million Cycles			
	With detent @ 30 RPM	1 Million Cycles			
Push-Pull Strength of Shaft (4,6,8,24, 32 PPR) (64 PPR)	10 seconds	20 kg			
	10 seconds	13.6 kg			
Terminal Pull-out Strength	10 seconds	6 kg			
Rotational Torque	(4, 6, 8, 24 PPR)	Running	10 to 30 gf-cm		
		(32 PPR)	Running	30 gf-cm Max.	
	(64 PPR)	Running	100 gf-cm Max.		
Rotational Torque	24 Detents	90 to 190 gf-cm			
	16, 32 Detents	50 to 150 gf-cm			
Detent Options	0, 16, 24, 32				

Optional Momentary Switch Function:

Parameter	Conditions & Remarks	Min.	Nominal	Max	Unit
Switch contact resistance				10	ohms
Switch rating	5 VDC @10 mA				
Switch travel		0.25	0.5	0.75	mm
Actuation Force		400	510	620	grams
Switch Life	Standard	1 Million			Actuations
Switch Life	Consult CTS for custom life requirements				

Mechanical Specifications

Figure 1 – 291V1... – Without Schmitt Trigger, With Left Locating Lug, .050” Pitch Pins Facing Rear

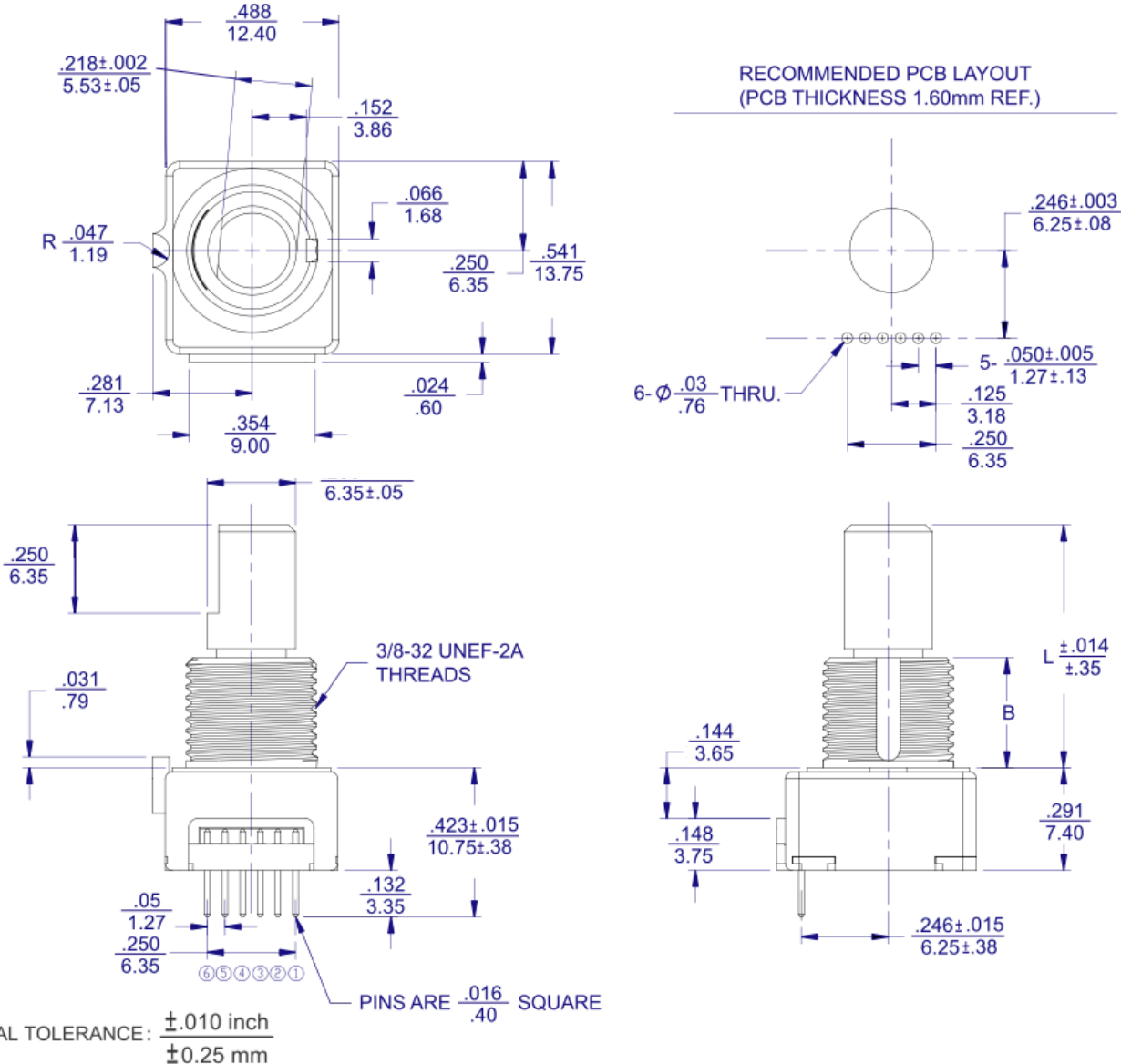


Figure 3 – 291V1...A – Without Schmitt Trigger, Without Locating Lug, .050" Pitch Pins Facing Rear



GENERAL TOLERANCE: $\pm .010$ inch
 ± 0.25 mm

Figure 4 – 291V1...B – With Schmitt Trigger, With Locating Lug, .050" Pitch Pins Facing Rear



GENERAL TOLERANCE: $\pm .010$ inch
 ± 0.25 mm

Figure 5 – 291P1...A – Without Schmitt Trigger, Without Locating Lug, .100" Pitch Pins Facing Rear
291P1...S – With Schmitt Trigger, Without Locating Lug, .100" Pitch Pins Facing Rear

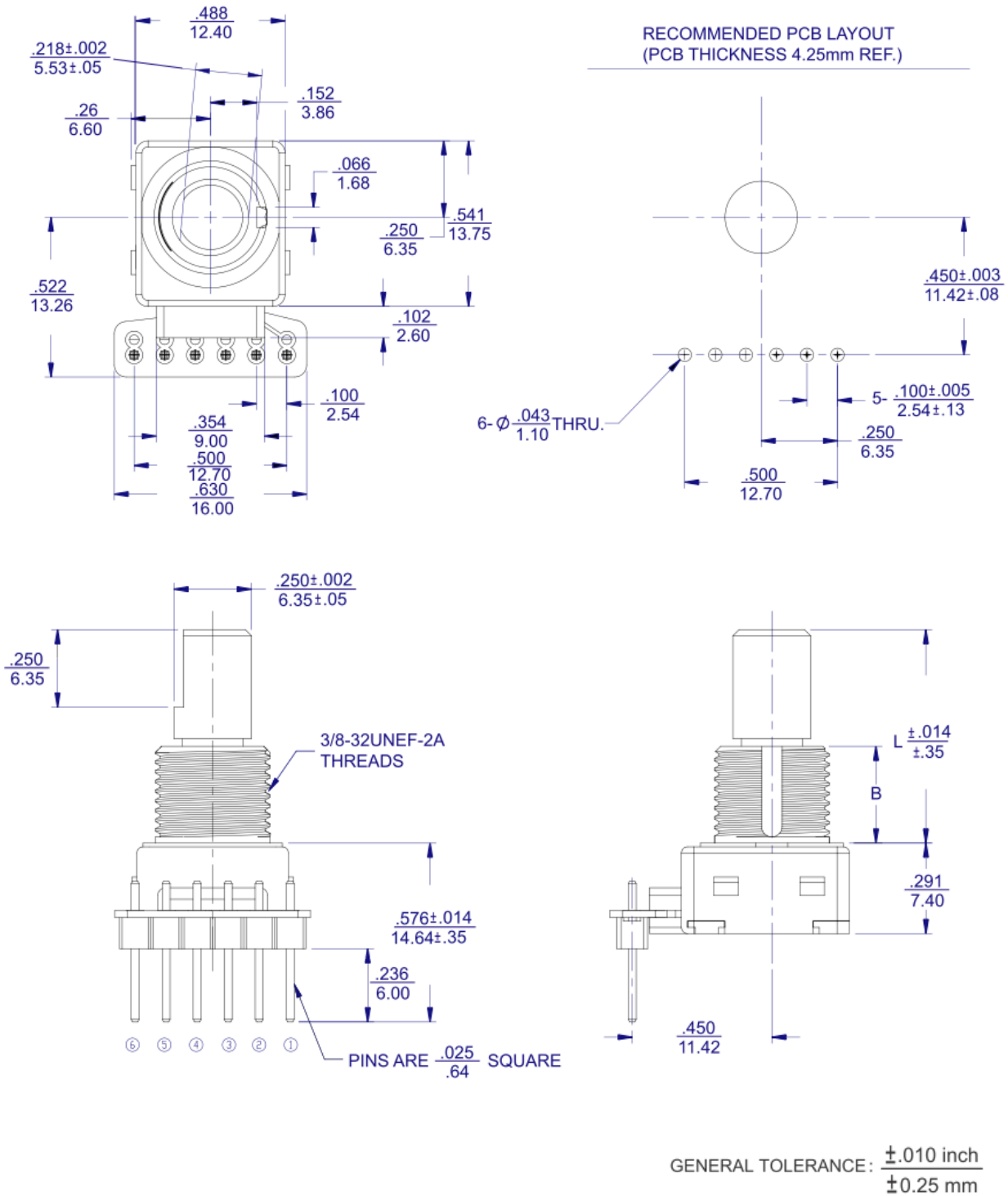


Figure 6 –291P1... – Without Schmitt Trigger, With Locating Lug, .100" Pitch Pins Facing Rear
291P1...B – With Schmitt Trigger, With Locating Lug, .100" Pitch Pins Facing Rear

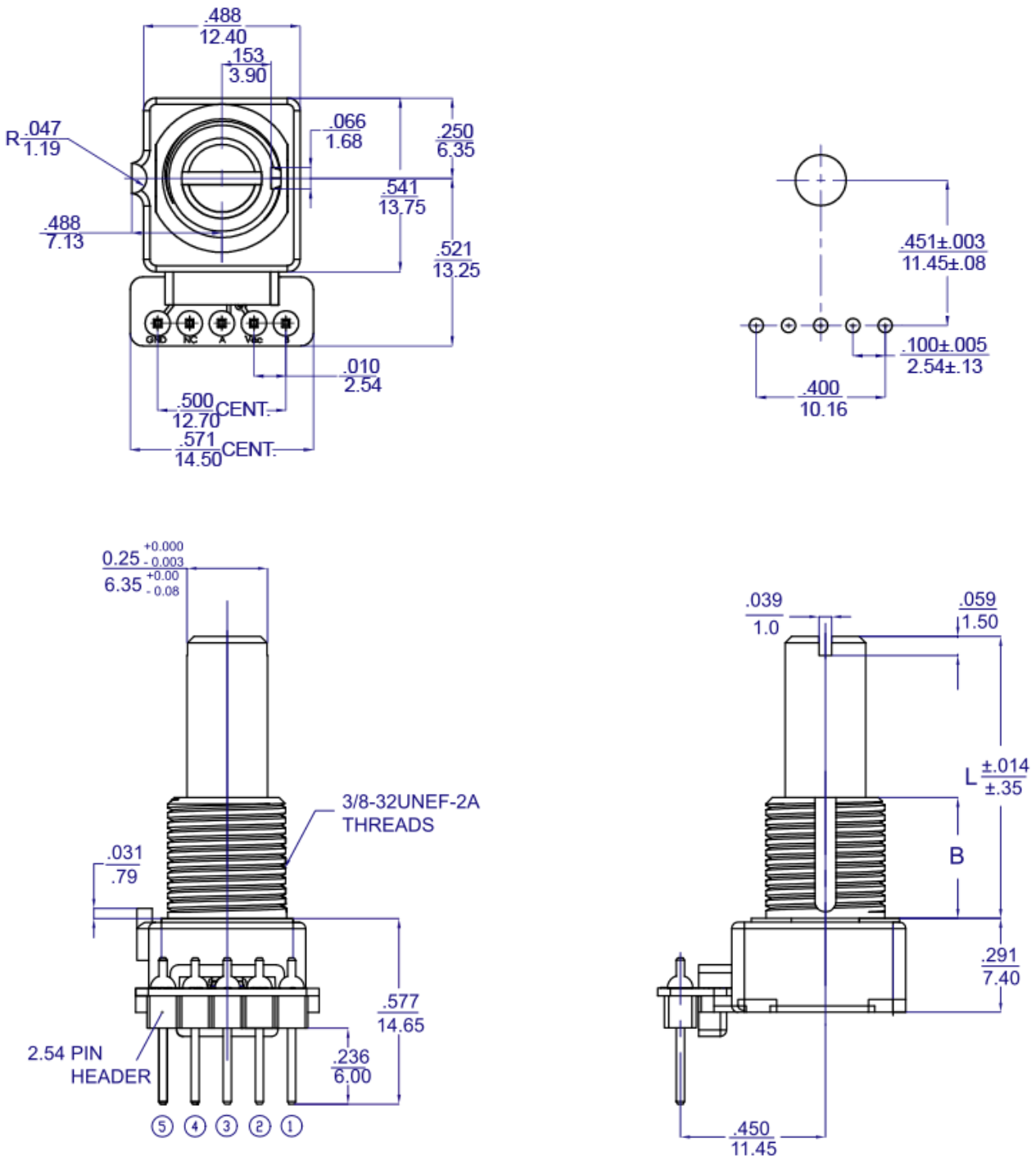


GENERAL TOLERANCE: $\pm .010$ inch
 ± 0.25 mm

Figure 8 – 291C...A – Without Schmitt Trigger, Without Locating Lug, With Ribbon Cable
291C...S – With Schmitt Trigger, Without Locating Lug, With Ribbon Cable



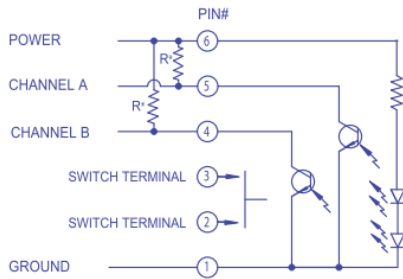
Figure 9 – 291P1...Z00AA – 64 PPR, With Schmitt Trigger, With Locating Lug, .100" Pitch Pins Facing Rear, Without Momentary Switch



GENERAL TOLERANCE: $\pm .010$ inch $\frac{\text{inch}}{\text{mm}}$
 ± 0.25 mm

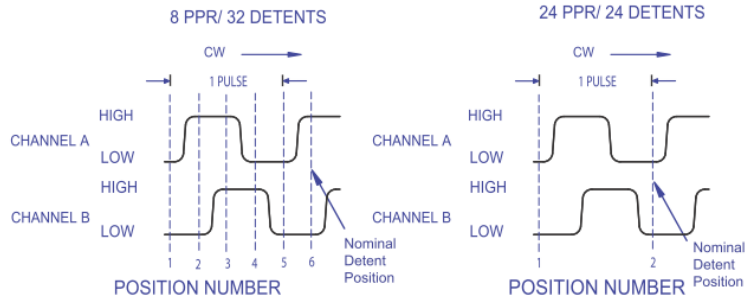
4, 6, 8, 24 PPR

**Electric Circuit And Waveform
(Without Schmitt Trigger Design)**



*Product will function properly with external 2.2KΩ pull up resistors.

Standard Quadrature 2-Bit Code

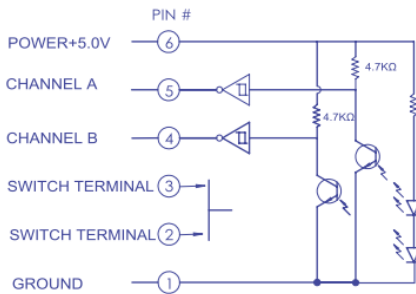


1. 8 PPR/32 detents is shown
2. Code repeats every 4 positions
3. Channel A Leads Channel B in CW direction and lags in CCW direction

1. 24 PPR/24 detents is shown
2. The nominal detent position is located when both Channel A and B are low
3. Channel A Leads Channel B in CW direction and lags in CCW direction

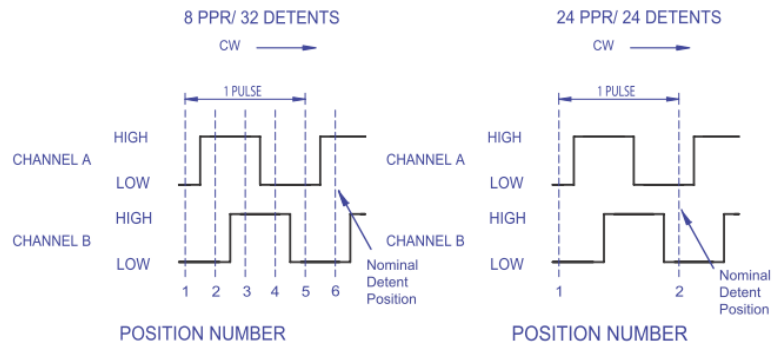
4, 6, 8, 24, 32 PPR

**Electric Circuit And Waveform
(With Schmitt Trigger Design)**



*Schmitt trigger and pull-up resistor (4.7KΩ) are integrated inside CTS optical encoder, so it's not necessary to have external pull-up resistors for application circuit.

Standard Quadrature 2-Bit Code

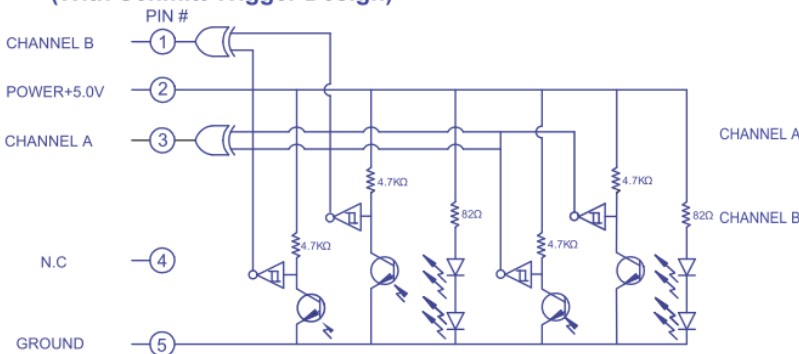


1. 8 PPR/32 detents is shown
2. Code repeats every 4 positions
3. Channel A Leads Channel B in CW direction and lags in CCW direction

1. 24 PPR/24 detents is shown
2. The nominal detent position is located when both Channel A and B are low
3. Channel A Leads Channel B in CW direction and lags in CCW direction

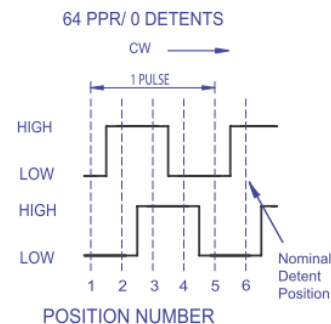
64 PPR

**Electric Circuit And Waveform
(With Schmitt Trigger Design)**



*Open collector with integrated XOR Gate, schmitt trigger and 4.7KΩ pull-up resistor are inside CTS optical encoder, so it's not necessary to have external pull-up resistors for application circuit.

Standard Quadrature 2-Bit Code

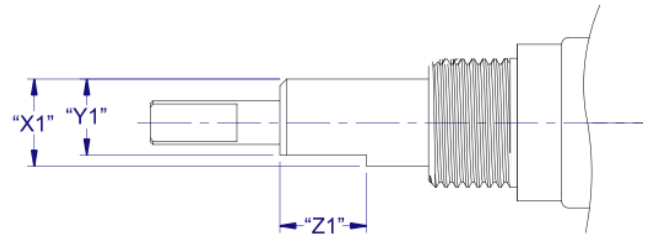


1. 64 PPR/0 detents is shown
2. Code repeats every 4 positions
3. Channel A Leads Channel B in CW direction and lags in CCW direction

Dual Shaft Construction



OUTER FLATTED SHAFT DIMENSION

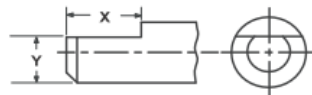


D - DUAL

	X	Y	Z	B
Imperial	.125"	.094"	.250"	.256"
Metric	3.18	2.40	6.35	6.50

Single Shaft Trim Options

FLATTED



Shaft Trim	Diameter	X	Y
F	.250" (6.35 mm)	.250" (6.35 mm)	.218" (5.53 mm)

SD SLOT



Shaft Trim	Diameter	X	Y
S	.250" (6.35 mm)	.059" (1.5mm)	.039" (1.0mm)

Mouser Electronics

Authorized Distributor

Click to View Pricing, Inventory, Delivery & Lifecycle Information:

CTS:

[291C6022F624AB](#) [291C6022F832AB](#) [291V1022F624AB](#) [291V1022F832AB](#) [291P1024SZ00AAB](#)
[291P1022FX24ABB](#) [291P1022FY00ABB](#)

Компания «Life Electronics» занимается поставками электронных компонентов импортного и отечественного производства от производителей и со складов крупных дистрибьюторов Европы, Америки и Азии.

С конца 2013 года компания активно расширяет линейку поставок компонентов по направлению коаксиальный кабель, кварцевые генераторы и конденсаторы (керамические, пленочные, электролитические), за счёт заключения дистрибьюторских договоров

Мы предлагаем:

- Конкурентоспособные цены и скидки постоянным клиентам.
- Специальные условия для постоянных клиентов.
- Подбор аналогов.
- Поставку компонентов в любых объемах, удовлетворяющих вашим потребностям.
- Приемлемые сроки поставки, возможна ускоренная поставка.
- Доставку товара в любую точку России и стран СНГ.
- Комплексную поставку.
- Работу по проектам и поставку образцов.
- Формирование склада под заказчика.
- Сертификаты соответствия на поставляемую продукцию (по желанию клиента).
- Тестирование поставляемой продукции.
- Поставку компонентов, требующих военную и космическую приемку.
- Входной контроль качества.
- Наличие сертификата ISO.

В составе нашей компании организован Конструкторский отдел, призванный помогать разработчикам, и инженерам.

Конструкторский отдел помогает осуществить:

- Регистрацию проекта у производителя компонентов.
- Техническую поддержку проекта.
- Защиту от снятия компонента с производства.
- Оценку стоимости проекта по компонентам.
- Изготовление тестовой платы монтаж и пусконаладочные работы.



Тел: +7 (812) 336 43 04 (многоканальный)

Email: org@lifeelectronics.ru