

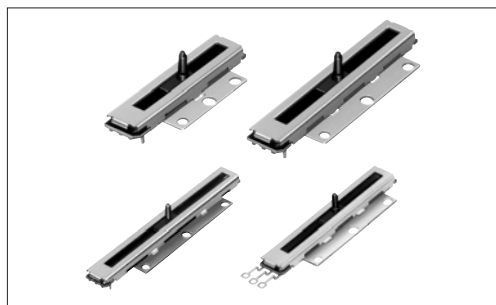
Sensors

Linear Type

RDC10 Series



High precision space-saving design contributes to reduce size and weight of the set.



Features

- High-precision linearity is attained by high-precision printing technology.
- Light operation force contributes to reduce torque load in motor driven mode.

Applications

- For detecting feedback from motor drive units in digital camcorders and CD changers, MD changers
- For detecting various types of size in copy machines, multifunctional printers and projectors

Rotary Potentiometers

Slide Potentiometers

Multi Control Devices

Sensors

Rotary Type

Linear Type

Typical Specifications

| Items | Specifications |
|----------------------------|----------------|
| Rating voltage | 5V DC |
| Operating force | 0.25N max. |
| Operating life | 200,000cycles |
| Total resistance | 10kΩ |
| Total resistance tolerance | ±30% |

Recommended Products List

| Travel (mm) | Linearity (Independent) | Length of lever (mm) | Length of terminal (mm) | Minimum packing unit (pcs.) ※ | Model No. |
|-------------|-------------------------|----------------------|-------------------------|-------------------------------|------------|
| 14 | ±0.5% | 4.5 | 2 | 2,400 | RDC1014A09 |
| 22 | | | | 2,100 | RDC1022A05 |
| 32 | | | | 900 | RDC10320RB |
| 47 | | 4.4 | | 1,000 | RDC1047A03 |


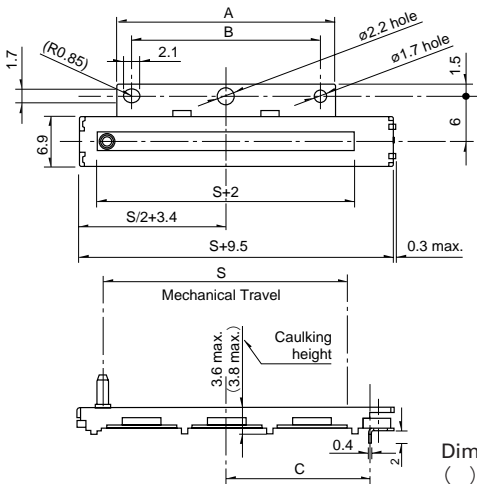
Note

※ For the switch attached, inner axis of the single-shaft or the dual-shaft type can be chosen. Please place purchase order per minimum packing unit. Please contact us for export packing details.

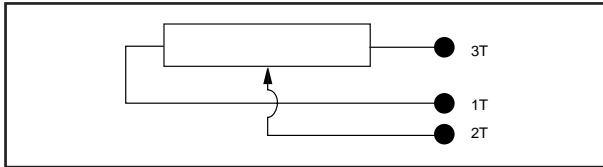
Refer to P.200 for product varieties.
Refer to P.201 for product specifications.

■ Dimensions

Unit:mm

| Photo | Style | | | | | | | | | | | | | | | | | | | | | | | | | |
|---|--|-----------|----|------|---|---|---------|----|----|----|----|---------|----|----|----|----|---------|----|----|----|----|---------|----|----|----|------|
|  |  <table border="1" style="margin-top: 10px;"> <thead> <tr> <th>Dimension</th> <th>S</th> <th>A</th> <th>B</th> <th>C</th> </tr> </thead> <tbody> <tr> <td>RDC1014</td> <td>14</td> <td>19</td> <td>15</td> <td>10</td> </tr> <tr> <td>RDC1022</td> <td>22</td> <td>19</td> <td>15</td> <td>14</td> </tr> <tr> <td>RDC1032</td> <td>32</td> <td>29</td> <td>25</td> <td>19</td> </tr> <tr> <td>RDC1047</td> <td>47</td> <td>37</td> <td>33</td> <td>26.5</td> </tr> </tbody> </table> <p style="font-size: small;">Dimensions surrounded by parentheses () are applicable to RDC1047 only.</p> | Dimension | S | A | B | C | RDC1014 | 14 | 19 | 15 | 10 | RDC1022 | 22 | 19 | 15 | 14 | RDC1032 | 32 | 29 | 25 | 19 | RDC1047 | 47 | 37 | 33 | 26.5 |
| Dimension | S | A | B | C | | | | | | | | | | | | | | | | | | | | | | |
| RDC1014 | 14 | 19 | 15 | 10 | | | | | | | | | | | | | | | | | | | | | | |
| RDC1022 | 22 | 19 | 15 | 14 | | | | | | | | | | | | | | | | | | | | | | |
| RDC1032 | 32 | 29 | 25 | 19 | | | | | | | | | | | | | | | | | | | | | | |
| RDC1047 | 47 | 37 | 33 | 26.5 | | | | | | | | | | | | | | | | | | | | | | |

■ Circuit Diagram



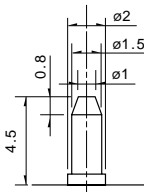
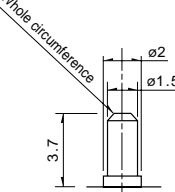
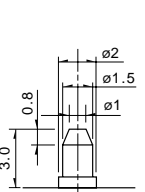
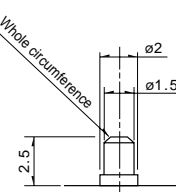
Product Varieties

In addition to the recommended products, the following specifications can also be accommodated.

■ Lever Variety

* Size in () are applicable to RDC1047 only.

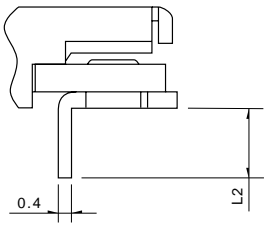
Unit:mm

| Length | 4.5 (4.4) | 3.7 (3.6) | 3 (2.9) | 2.5 (2.4) |
|------------|---|---|--|---|
| Dimensions |  |  |  |  |

■ Terminal Variety

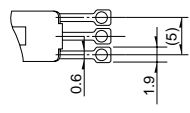
For printed wiring

Unit:mm

| Dimensions |  | | | | |
|------------|--|-----|-----|---|-----|
| Length L2 | <table border="1"> <tr> <td style="background-color: #d9e1f2;">1.5</td> <td style="background-color: #d9e1f2;">2</td> <td>4</td> <td>5.5</td> </tr> </table> | 1.5 | 2 | 4 | 5.5 |
| 1.5 | 2 | 4 | 5.5 | | |

For lead wiring

Unit:mm

| Dimensions |  |
|------------|---|
|------------|---|

Note

marked are specifications recommended by ALPS.

Products Specifications

| Items | Type Model | Rotary type | | | | | | Linear type |
|------------------------------------|----------------------------|----------------|-------------------|---------------|-------------|----------------------------------|--------------------|-------------|
| | | RDC40 | RDC501 | RDC502 | RDC503 | RDC506 | RDC80 | RDC10 |
| | | Multiple turns | Horizontal type | Vertical type | Reflow type | Reflow type (Thin shape) | Reflow type | |
| Operating temperature range | | -30°C to +80°C | -40°C to +120°C | | | | -30°C to +85°C | |
| Electric performance | Total resistance tolerance | ±30% | | | | | | |
| | Resistance taper | Linear | | | | | | |
| | Rated voltage | 5V DC | | | | | | |
| | Max. operating voltage | 18V DC | 16V DC | | | | 5V DC | |
| Mechanical performance | Linearity | ±1% | ±2% | | | ±3% | ±0.5% | |
| | Effective variable range | 13 rotations | 320° | | | 330° (1-phase) 360° (2-phase) | S (Travel) -2mm | |
| | Rotational angle | — | (Without stopper) | | | | — | |
| | Rotational torque | 2mN·m max. | | | | 10mN·m max. | — | |
| Durability | Operating force | — | | | | 0.25N max. | | |
| | 100,000cycles | ● | — | | | ● | — | |
| | 200,000cycles | — | | | | — | ● | |
| | 1,000,000cycles | — | ● | | | — | | |

Rotary Potentiometers

Slide Potentiometers

Multi Control Devices

Sensors

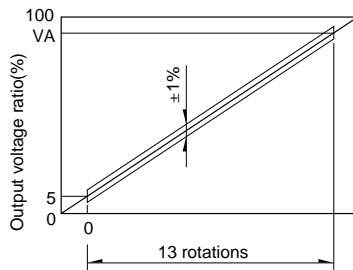
Rotary Type

Linear Type

Method for Regulating the Linearity

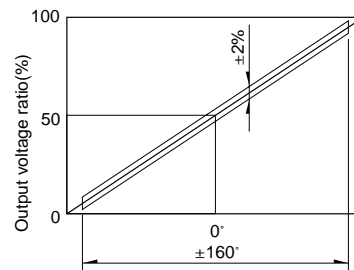
Model RDC40

- Reference taper : 90%/13 rotations
- VA is measured output value



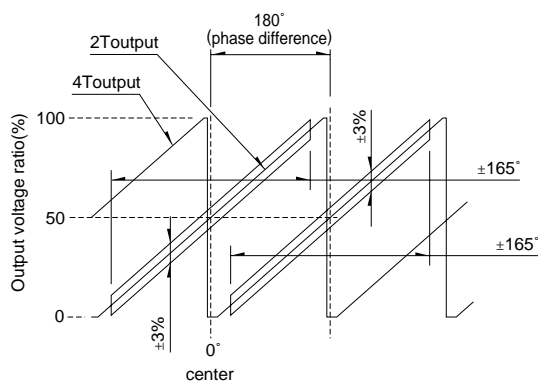
Model RDC50

- Reference taper : 100%/333.3°
- Output level of reference point is 50% .



Model RDC80

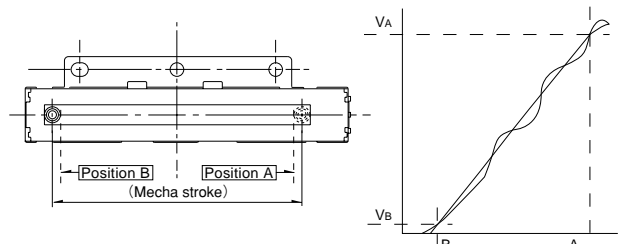
- Reference taper : 100%/340°
- The center position depends on the position depicted in the product drawing.



Model RDC10

This is the deviation to an ideal line shown below when the voltage applied between terminals 1 and 3 is assumed to be 100%. (Unit:percentage)

With rated voltage applied between terminals 1 and 3, the ideal line is assumed to be the straight line drawn between the measured output values V_B and V_A at specified reference positions B and A.



Компания «Life Electronics» занимается поставками электронных компонентов импортного и отечественного производства от производителей и со складов крупных дистрибьюторов Европы, Америки и Азии.

С конца 2013 года компания активно расширяет линейку поставок компонентов по направлению коаксиальный кабель, кварцевые генераторы и конденсаторы (керамические, пленочные, электролитические), за счёт заключения дистрибьюторских договоров

Мы предлагаем:

- Конкурентоспособные цены и скидки постоянным клиентам.
- Специальные условия для постоянных клиентов.
- Подбор аналогов.
- Поставку компонентов в любых объемах, удовлетворяющих вашим потребностям.
- Приемлемые сроки поставки, возможна ускоренная поставка.
- Доставку товара в любую точку России и стран СНГ.
- Комплексную поставку.
- Работу по проектам и поставку образцов.
- Формирование склада под заказчика.
- Сертификаты соответствия на поставляемую продукцию (по желанию клиента).
- Тестирование поставляемой продукции.
- Поставку компонентов, требующих военную и космическую приемку.
- Входной контроль качества.
- Наличие сертификата ISO.

В составе нашей компании организован Конструкторский отдел, призванный помогать разработчикам, и инженерам.

Конструкторский отдел помогает осуществить:

- Регистрацию проекта у производителя компонентов.
- Техническую поддержку проекта.
- Защиту от снятия компонента с производства.
- Оценку стоимости проекта по компонентам.
- Изготовление тестовой платы монтаж и пусконаладочные работы.



Тел: +7 (812) 336 43 04 (многоканальный)

Email: org@lifeelectronics.ru