

PLEASE CHECK WWW.MOLEX.COM FOR LATEST PART INFORMATION

Part Number: [5034801200](#)
Status: **Active**
Description: 0.50mm (.020") Pitch Easy-On™ BackFlip™ FPC Connector, 1.00mm (.039") Height, Right Angle, SMT, Dual Contact Style, 12 Circuits

Documents:

[3D Model](#) [Product Specification PS-503480-001 \(PDF\)](#)
[Drawing \(PDF\)](#) [RoHS Certificate of Compliance \(PDF\)](#)

General

Product Family FFC/FPC Connectors
 Series [503480](#)
 Product Name BackFlip™, Easy-On™

Physical

Circuits (Loaded) 12
 Color - Resin Black, White
 Contact Position Dual
 Durability (mating cycles max) 10
 Entry Angle 90° Angle
 Mated Height (in) 0.039 In
 Mated Height (mm) 1.00 mm
 Material - Metal Phosphor Bronze
 Material - Plating Mating Gold
 Material - Plating Termination Gold, Tin
 Number of Rows 1
 Orientation Right Angle
 PCB Locator No
 PCB Retention Yes
 Packaging Type Embossed Tape on Reel
 Pitch - Mating Interface (in) 0.020 In
 Pitch - Mating Interface (mm) 0.50 mm
 Polarized to PCB Yes
 Stackable No
 Temperature Range - Operating -40°C to +85°C
 Termination Interface: Style Surface Mount
 Wire/Cable Type FFC/FPC

Electrical

Current - Maximum per Contact 0.5A
 Voltage - Maximum 50V AC (RMS)/DC

Material Info

Reference - Drawing Numbers

Packaging Specification SPK-503480-001
 Product Specification PS-503480-001, RPS-503480-001, RPS-503480-002, RPS-503480-003
 Sales Drawing SD-503480-001, SD-503480-002

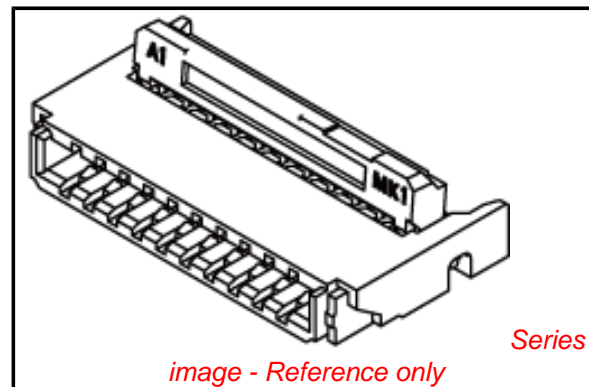


image - Reference only

EU RoHS

**ELV and RoHS
 Compliant**
**REACH SVHC
 Contains SVHC: No**
**Halogen-Free
 Status
 Not Reviewed**

China RoHS

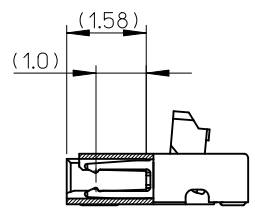
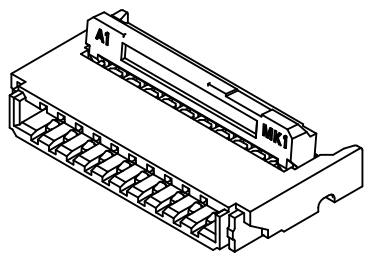
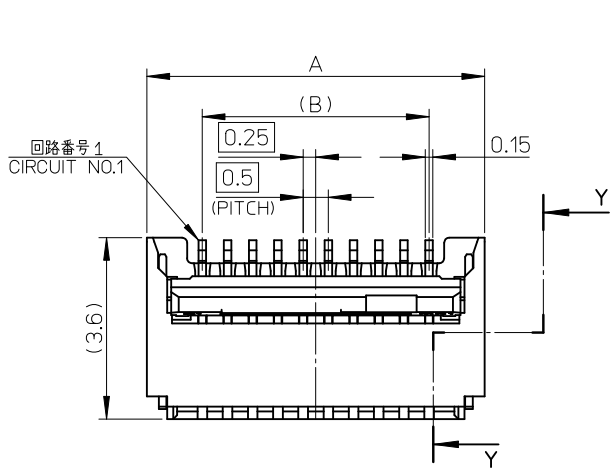


**Need more information on product
 environmental compliance?**

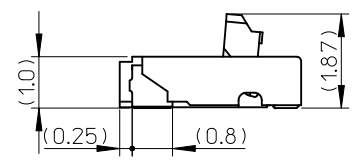
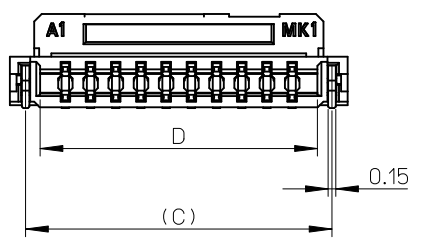
Email productcompliance@molex.com
 For a multiple part number RoHS Certificate of Compliance, [click here](#)

Please visit the [Contact Us](#) section for any non-product compliance questions.

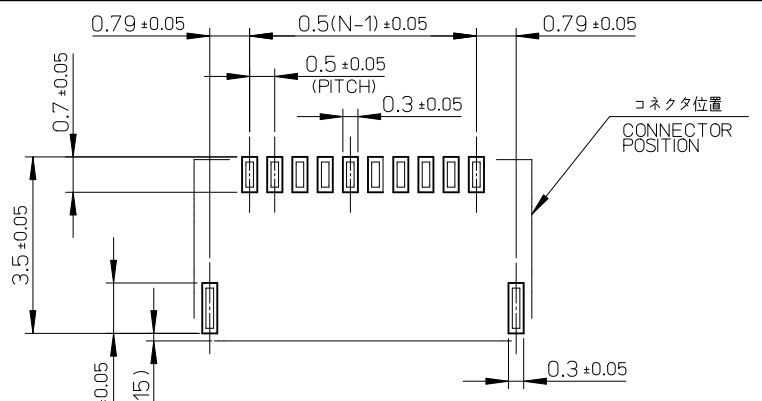
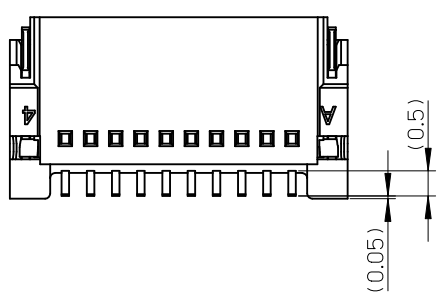
Search Parts in this Series
[503480Series](#)



SECTION Y-Y



アクチュエータが閉じた状態
ACTUATOR CLOSED CONDITION



参考基板レイアウト (マウント面)
P.W. BOARD PATTERN DIMENSION (REF.)
(MOUNT AREA)

メタルマスク : 0.1mm
開口部 : TERM.(0.7X0.3)
NAIL(1.0X0.3)
METAL MASK THICKNESS : 0.1mm
OPENING AREA RATIO : TERM.(0.7X0.3)
NAIL(1.0X0.3)

コネクタ位置
CONNECTOR POSITION

N:極数
N:CIRCUITS

16.5	17.08	15.5	17.7	503480-3200	32
11.5	12.08	10.5	12.7	503480-2200	22
10.5	11.08	9.5	11.7	503480-2000	20
9.5	10.08	8.5	10.7	503480-1800	18
9.0	9.58	8.0	10.2	503480-1700	17
8.5	9.08	7.5	9.7	503480-1600	16
7.5	8.08	6.5	8.7	503480-1400	14
6.5	7.08	5.5	7.7	503480-1200	12
5.5	6.08	4.5	6.7	503480-1000	10
4.5	5.08	3.5	5.7	503480-0800	8
3.5	4.08	2.5	4.7	503480-0600	6
2.5	3.08	1.5	3.7	503480-0400	4
D	C	B	A	EMBOSSED PACKAGE	極数
				オーダー番号 ORDER NO.	CIRCUIT

CONNECTOR SERIES No. 503480-**09

REVISED EC NO: J2010-2472 DRWN: THIRAYAMA 2010/04/29 CHKD: NMATSUURA 2010/04/29 APPR: KMORIKAWA 2010/05/12	GENERAL TOLERANCES (UNLESS SPECIFIED)		DIMENSION STYLE MM ONLY		SCALE 10:1	DESIGN UNITS METRIC	THIRD ANGLE PROJECTION
	10 UNDER	± 0.2	DRAWN BY THIRAYAMA	DATE 2009/12/11	TITLE 0.5 FPC CONN. E/O BACKFLIP H=1.0MM ASSEMBLY		
	10 OVER 30 UNDER	± 0.25	CHECKED BY NMATSUURA	DATE 2009/12/11	MOLEX INCORPORATED		
	30 OVER	± 0.3	APPROVED BY KMORIKAWA	DATE 2009/12/11	DOCUMENT NO. SD-503480-001	SHEET NO. 1 OF 2	
REV	DESCRIPTION	ANGULAR ± 1 °	MATERIAL NO. SEE CHART		THIS DRAWING CONTAINS INFORMATION THAT IS PROPRIETARY TO MOLEX INCORPORATED AND SHOULD NOT BE USED WITHOUT WRITTEN PERMISSION		
		DRAFT WHERE APPLICABLE MUST REMAIN WITHIN DIMENSIONS					

NOTES

1. 部品構成
 PART COMPOSITION
 ハウジング・・・材質：液晶ポリマー（LCP）、ガラス充填、UL94V-0、ナチュラル（白）
 HOUSING MATERIAL: LIQUID CRYSTAL POLYMER(LCP), GLASS FILLED, UL94V-0, NATURAL(WHITE)
- ターミナル・・・材質：燐青銅
 TERMINAL MATERIAL: PHOSPHOR BRONZE
 コンタクト部：部分金メッキ(0.1μm以上)
 テール部：部分金メッキ
 下地：ニッケルメッキ(1.0μm以上)
 CONTACT AREA: SEPARATED GOLD PLATING (0.1 MICROMETER MINIMUM)
 SOLDER TAIL AREA: SEPARATED GOLD PLATING
 UNDERPLATE: NICKEL OVERALL (1.0 MICROMETER MINIMUM)
- アクチュエータ・・・材質：ポリアミド（PA）、ガラス充填、UL94 HB、黒色
 ACTUATOR MATERIAL: POLYAMIDE(PA), GLASS FILLED, UL94 HB, BLACK
- ネイル・・・材質：燐青銅
 NAIL MATERIAL: PHOSPHOR BRONZE
 テール部：錫メッキ(1.0μm以上)
 下地：ニッケルメッキ(1.0μm以上)
 SOLDER TAIL AREA: TIN OVERALL(1.0 MICROMETER MINIMUM)
 UNDERPLATE: NICKEL OVERALL(1.0 MICROMETER MINIMUM)

2. 基板実装前にアクチュエータを操作しないで下さい。
 PLEASE DO NOT OPERATE THE ACTUATOR BEFORE MOUNTING.
3. 必ずFPCを挿入してからアクチュエータを操作して下さい。
 PLEASE OPERATE THE ACTUATOR AFTER INSERTING THE FPC INTO THE CONNECTOR.

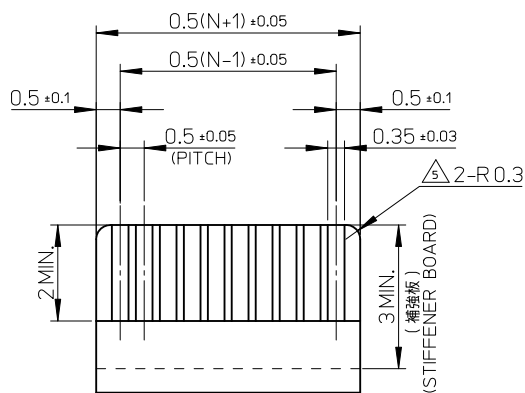
4. FPCについて
 ABOUT FPC
 補強フィルム材質はポリイミドを推奨します。ベースフィルムは25μmを推奨します。
 接着剤は熱硬化接着剤を推奨します。
 尚、接着剤の接点部への付着は導通不良の原因になりますので、染み出しが無い様、お願い致します。
 RECOMMENDED STIFFENER MATERIAL: POLYIMIDE
 RECOMMENDED BASE FILM THICKNESS: 25 MICROMETER
 RECOMMENDED ADHESIVE: THERMOSETTING ADHESIVE
 NOTE: PLEASE PUT APPROPRIATE AMOUNT OF ADHESIVE ON ADHEREND BECAUSE THERE IS A POSSIBILITY THAT THE EXTRA ADHESIVE CAUSES THE DEFECT IN ELECTRICAL CONTINUITY.
 打抜き方向は導体側から補強板側を推奨致します。
 導体部については軟銅箔35μmを推奨致します。
 RECOMMENDED PUNCHER DIRECTION:
 FROM CONDUCTOR SIDE TO STIFFENER FILM SIDE.
 RECOMMENDED CONDUCTOR SPECIFICATION:
 THICKNESS OF SOFT COPPER FOIL: 35MICROMETER

△ R0.3は、FPC導体部にかからないこと。
 R0.3 MUST NOT BE OVERLAPPED TO PATTERN OF FPC.

6. ELV及びRoHS適合品
 ELV AND RoHS COMPLIANT

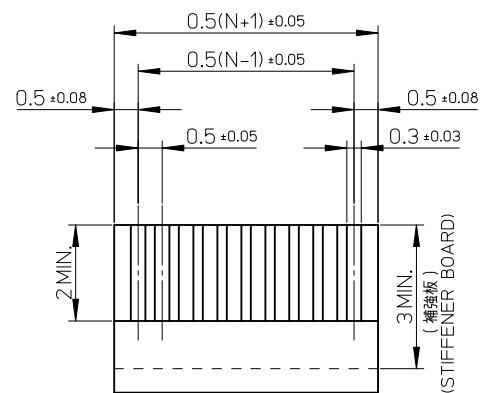
7. 平坦度：0.1以下
 COPLANARITY : 0.1 MAXIMUM

8. 製造上の都合により機能を阻害しない部位の形状を変更する可能性があります。
 PLEASE RECOGNIZE A POSSIBILITY TO CHANGE THE SHAPE OF THE PART THAT DOES NOT OBSTRUCT A FUNCTION, BY CIRCUMSTANCES IN OUR PRODUCTION.



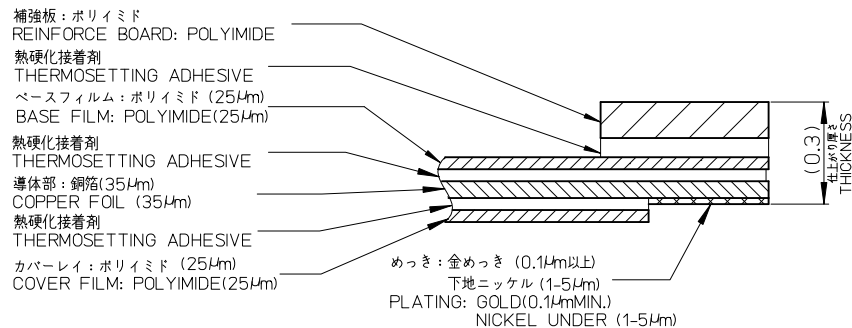
適合FPC推奨寸法
 APPLICABLE FPC
 RECOMMENDED DIMENSION

N:極数
 N:CIRCUITS
 (仕上がり厚さ:0.3±0.05):30極以下に適用
 (THICKNESS:0.3±0.05):30 OR LESS CIRCUITS
 (仕上がり厚さ:0.3±0.03):31極以上に適用
 (THICKNESS:0.3±0.03):31 OR OVER CIRCUITS



適合FFC推奨寸法
 APPLICABLE FFC
 RECOMMENDED DIMENSION

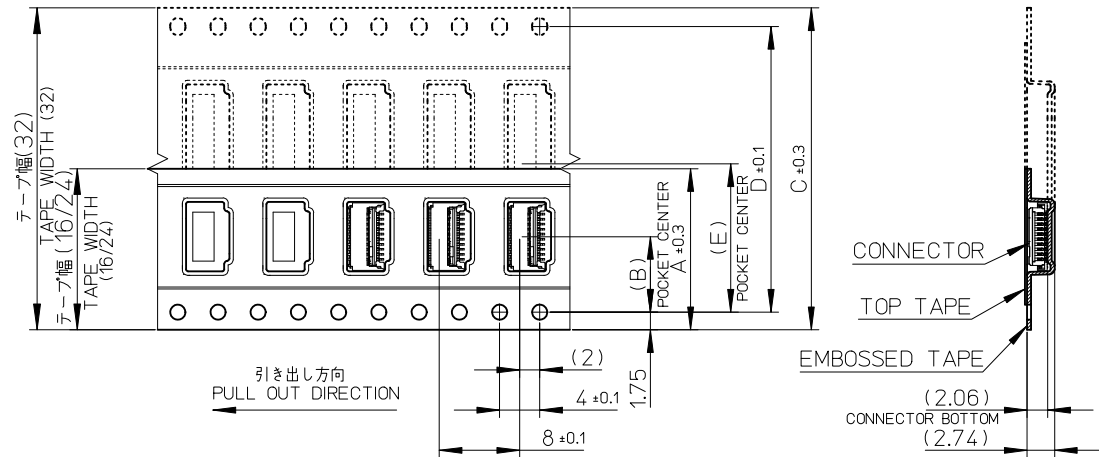
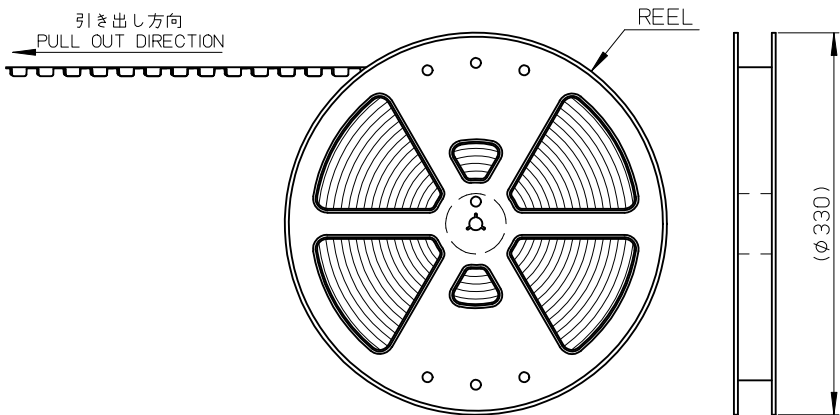
N:極数
 N:CIRCUITS
 (仕上がり厚さ:0.3±0.05):30極以下に適用
 (THICKNESS:0.3±0.05):30 OR LESS CIRCUITS
 (仕上がり厚さ:0.3±0.03):31極以上に適用
 (THICKNESS:0.3±0.03):31 OR OVER CIRCUITS



FPC構成推奨仕様
 STRUCTURE OF FPC

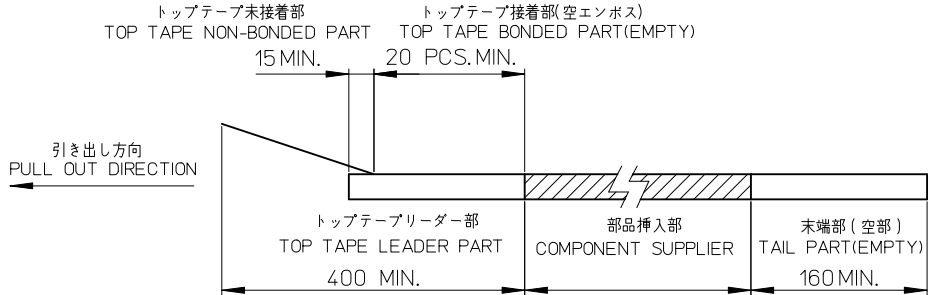
SEE SHEET 1 EC NO: J2010-2172 DRAWN: THIRAYAMA 2010/04/29 CHKD: MATSUURA 2010/04/29 APPR: KMORIKAWA 2010/05/12	DESCRIPTION REV	GENERAL TOLERANCES (UNLESS SPECIFIED)		DIMENSION STYLE MM ONLY		SCALE 10:1	DESIGN UNITS METRIC	THIRD ANGLE PROJECTION	
		10 UNDER	±0.2	DRAWN BY THIRAYAMA	DATE 2009/12/11	TITLE 0.5 FPC CONN. E/O BACKFLIP H=1.0MM ASSEMBLY			
		10 OVER 30 UNDER	±0.25	CHECKED BY NMATSUURA	DATE 2009/12/11				
		30 OVER	±0.3	APPROVED BY KMORIKAWA	DATE 2009/12/11				
ANGULAR ±1 °		DRAFT WHERE APPLICABLE MUST REMAIN WITHIN DIMENSIONS		MATERIAL NO. SEE SHEET 1		DOCUMENT NO. SD-503480-001		SHEET NO. 2 OF 2	
SIZE A3 THIS DRAWING CONTAINS INFORMATION THAT IS PROPRIETARY TO MOLEX INCORPORATED AND SHOULD NOT BE USED WITHOUT WRITTEN PERMISSION									

10 9 8 7 6 5 4 3 2 1



NOTES

- 製品(503480-**09)の詳細寸法については、SD-503480-001をご参照下さい。
IN THE PACKAGE, PART NO.503480-**09 DETAILED DIMENSIONS. REFER TO SD-503480-001.
- 梱包数量：3000個/リール
NUMBER OF CONNECTORS : 3000PCS/REEL
- リードテープの長さ
LEAD TAPE LENGTH



4. 材料
- キャリアテープ : PET
 - トップテープ : PET, OTHER
 - リール : PS<リサイクル材を含む>
- MATERIAL CARRIER TAPE :PET
TOP TAPE :PET,OTHER
REEL :PS <RECYCLE MATERIAL CONTAINED>

エンボステープ内の製品の向き
DIRECTION OF CONNECTOR IN EMBOSSED TAPE

14.2	28.4	32	-	-	32	503480-3200	32
-	-	-	11.5	24	24	503480-2200	22
-	-	-	-	-	-	503480-2000	20
-	-	-	-	-	-	503480-1800	18
-	-	-	-	-	-	503480-1700	17
-	-	-	-	-	-	503480-1600	16
-	-	-	-	-	-	503480-1400	14
-	-	-	-	-	-	503480-1200	12
-	-	-	7.5	16	16	503480-1000	10
-	-	-	-	-	-	503480-0800	8
-	-	-	-	-	-	503480-0600	6
-	-	-	-	-	-	503480-0400	4
E	D	C	B	A	テープ幅 TAPE WIDTH	オーダー番号 ORDER NO.	極数 CIRCUIT

REVISED EC NO: J2010-2472 DRWN: THIRAYAMA 2010/03/17 CHKD: NMATSUURA 2010/04/29 APPR: KMORIKAWA 2010/05/12	GENERAL TOLERANCES (UNLESS SPECIFIED)		DIMENSION STYLE MM ONLY		SCALE 2:1	DESIGN UNITS METRIC	THIRD ANGLE PROJECTION	
	10 UNDER	±0.2	DRAWN BY THIRAYAMA		DATE 2009/12/11		TITLE 0.5 FPC CONN. E/O EMBOSSED TAPE PACKAGE	
	10 OVER 30 UNDER	±0.25	CHECKED BY NMATSUURA		DATE 2009/12/11		MOLEX INCORPORATED	
	30 OVER	±0.3	APPROVED BY KMORIKAWA		DATE 2009/12/11		DOCUMENT NO. SD-503480-002	
REV	DESCRIPTION	ANGULAR ±3 °		MATERIAL NO. SEE CHART		SHEET NO. 1 OF 1		
DRAFT WHERE APPLICABLE MUST REMAIN WITHIN DIMENSIONS		THIS DRAWING CONTAINS INFORMATION THAT IS PROPRIETARY TO MOLEX INCORPORATED AND SHOULD NOT BE USED WITHOUT WRITTEN PERMISSION						

Компания «Life Electronics» занимается поставками электронных компонентов импортного и отечественного производства от производителей и со складов крупных дистрибьюторов Европы, Америки и Азии.

С конца 2013 года компания активно расширяет линейку поставок компонентов по направлению коаксиальный кабель, кварцевые генераторы и конденсаторы (керамические, пленочные, электролитические), за счёт заключения дистрибьюторских договоров

Мы предлагаем:

- Конкурентоспособные цены и скидки постоянным клиентам.
- Специальные условия для постоянных клиентов.
- Подбор аналогов.
- Поставку компонентов в любых объемах, удовлетворяющих вашим потребностям.
- Приемлемые сроки поставки, возможна ускоренная поставка.
- Доставку товара в любую точку России и стран СНГ.
- Комплексную поставку.
- Работу по проектам и поставку образцов.
- Формирование склада под заказчика.
- Сертификаты соответствия на поставляемую продукцию (по желанию клиента).
- Тестирование поставляемой продукции.
- Поставку компонентов, требующих военную и космическую приемку.
- Входной контроль качества.
- Наличие сертификата ISO.

В составе нашей компании организован Конструкторский отдел, призванный помогать разработчикам, и инженерам.

Конструкторский отдел помогает осуществить:

- Регистрацию проекта у производителя компонентов.
- Техническую поддержку проекта.
- Защиту от снятия компонента с производства.
- Оценку стоимости проекта по компонентам.
- Изготовление тестовой платы монтаж и пусконаладочные работы.



Тел: +7 (812) 336 43 04 (многоканальный)
Email: org@lifeelectronics.ru