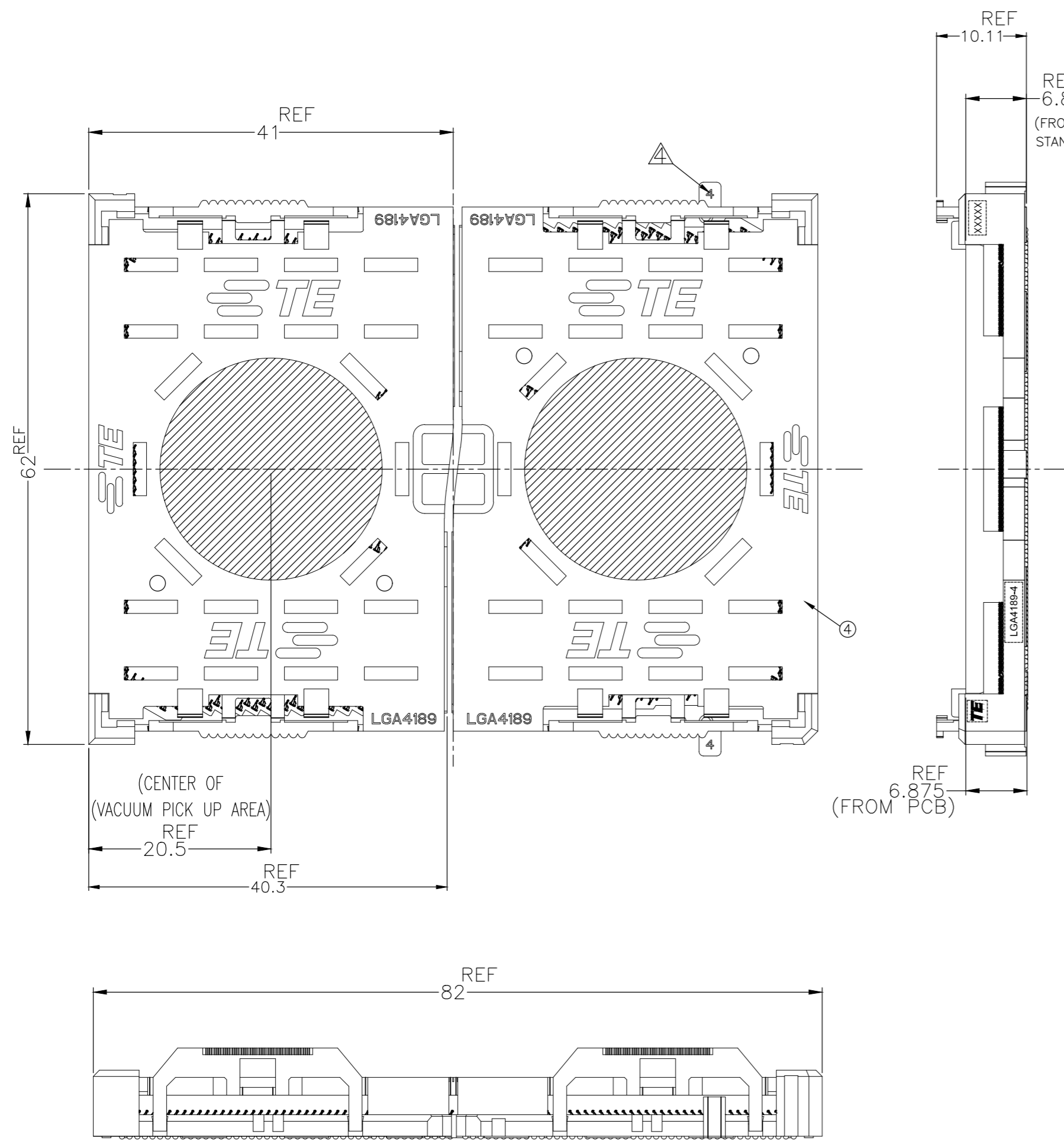


THIS DRAWING IS UNPUBLISHED. RELEASED FOR PUBLICATION
 © COPYRIGHT - Tyco Electronics JAPAN G.K. ALL RIGHTS RESERVED.

Loc	DIST	REVISIONS					
		P	LTR	DESCRIPTION	DATE	DWN	APVD
ES	-	8		ADD GATE LOCATION	23Jun2019	B.L	S.L

1. MATERIAL
- ① HOUSING : HIGH TEMP, THERMO-PLASTIC, UL94V-0, BLACK
 - ② CONTACT : COPPER ALLOY
FINISH : Au PL. SHOW AS Δ AT CONTACT AREA
ON OVERALL OVER Ni UNDER PL. 0.00127 MIN.
 - ③ SOLDER BALL : Sn/Ag/Cu
 - ④ CAP : HIGH TEMP. THERMO-PLASTIC, UL94V-0, NATURAL
- Δ INDICATED DATE CODE , TYCO LOGO, PRODUCT NAME ON THE HSG
 Δ FOR NORMAL ORDER, LEFT AND RIGHT SEGMENT SHOULD ORDER AT SAME TIME
 Δ THE NUMBER INDICATED SOCKET NAME, "4" FOR SOCKET P4, "5" FOR SOCKET P5.
 Δ THE PAD SIZE IS FOR REFERENCE, CUSTOMER CAN FOLLOW INTEL INSTRUCTION TO DESIGN
 Δ THESE DIMENSIONS FOR BACK PLATE SCREW HOLE.



THIS PRINT IS
PRELIMINARY
 UNQUALIFIED PRODUCT
 CONTACT PRODUCT ENGINEERING
 BEFORE USING THIS PRINT

FOR DGO.7

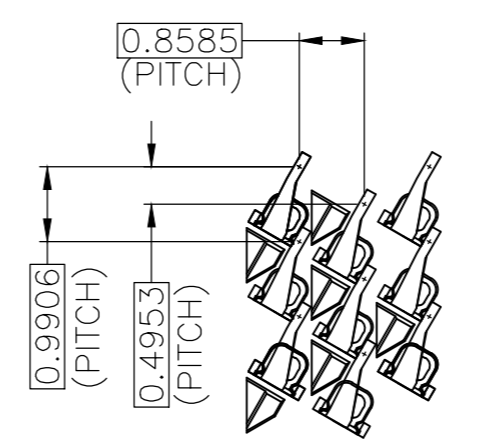
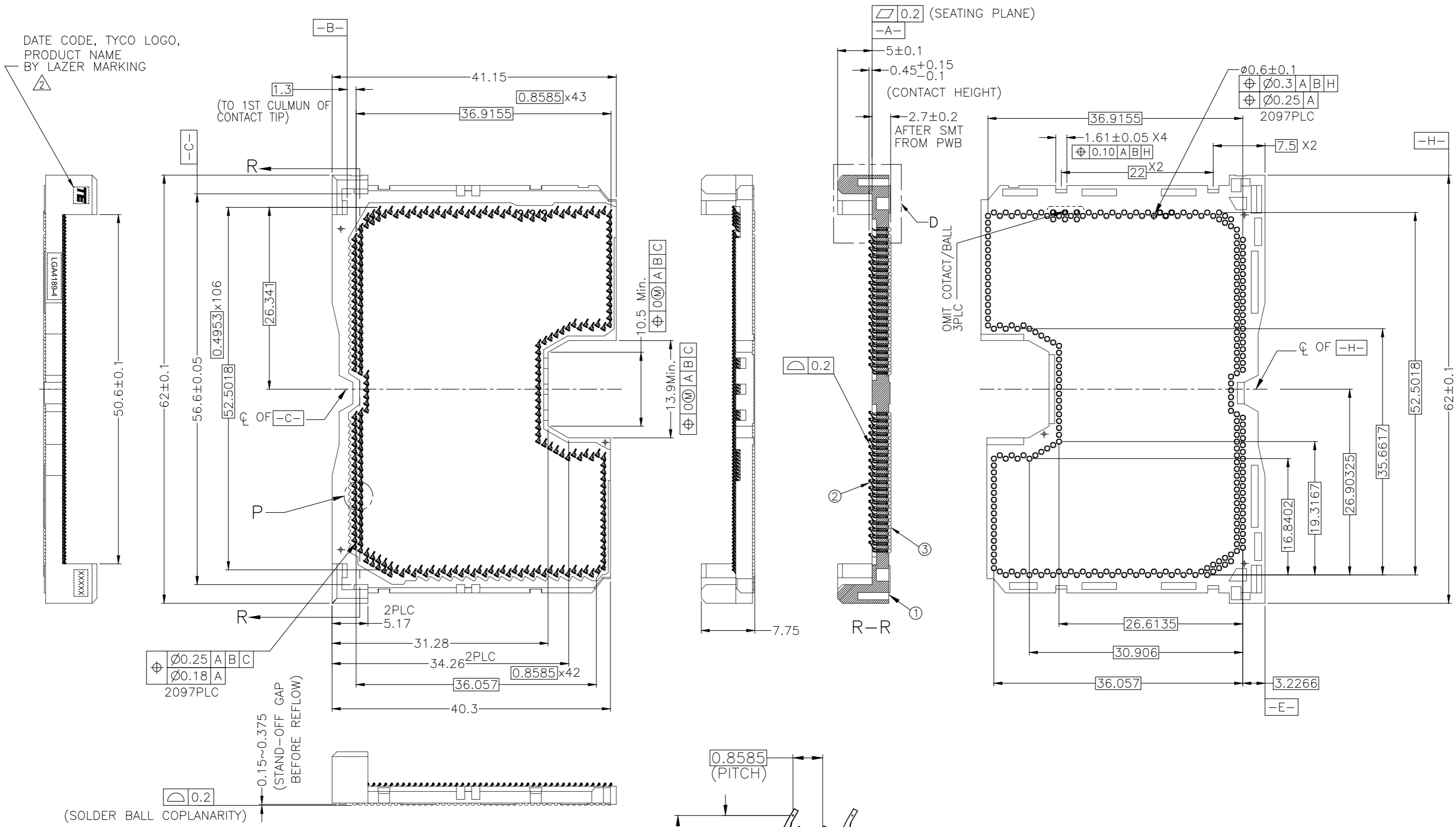
	30u" AU PLATING		15u" AU PLATING		DESCRIPTION
	LGA4189-4 SOCKET P4	LGA4189-5 SOCKET P5	LGA4189-4 SOCKET P4	LGA4189-5 SOCKET P5	
LGA4189-4 RIGHT SEGMENT	LGA4189-4 LEFT SEGMENT	LGA4189-5 RIGHT SEGMENT	LGA4189-5 LEFT SEGMENT		
2323614-1	1-2323614-1	2323614-3	1-2323614-1	2323614-2	1-2324271-1
					1-2324271-2
					1-2324271-5
					1-2324271-6
					1-2324271-3
					1-2324271-4
					1-2324271-7
					1-2324271-8
PRODUCT WEIGHT (g/SOCKET)	QUANTITY PER UNIT				PACKAGE P/N

AFTER SMT CONDITION (WITH CAP)
 DEMONSTRATION BY SOCKET P4,LGA4189-4

THIS DRAWING IS A CONTROLLED DOCUMENT.		DWN	23Jun2019	STE TE Connectivity	
DIMENSIONS: mm		BILL LV	23Jun2019		
TOLERANCES UNLESS OTHERWISE SPECIFIED:		CHK	23Jun2019	SOCKET ASSY LGA4189-X	
0-PLC ±		BILL LV	23Jun2019		
1-PLC ± ±0.3		APVD	23Jun2019	RESTRICTED TO	
2-PLC ± ±3		NAME	SIMON LI		
3-PLC ±		PRODUCT SPEC	108-115149	SIZE	A2
4-PLC ±		APPLICATION SPEC	114-115011	CAGE CODE	00779
ANGLES ± -		WEIGHT	-	DRAWING NO	C=2324271
MATERIAL		FINISH	-	SCALE	NTS
		CUSTOMER DRAWING		SHEET	1 of 7
				REV	8

THIS DRAWING IS UNPUBLISHED. RELEASED FOR PUBLICATION
 © COPYRIGHT - Tyco Electronics JAPAN G.K. ALL RIGHTS RESERVED.

LOC		DIST		REVISIONS			
P	LTR	DESCRIPTION	DATE	DWN	APVD		
-	-	SEE SHEET 1	-	-	-		



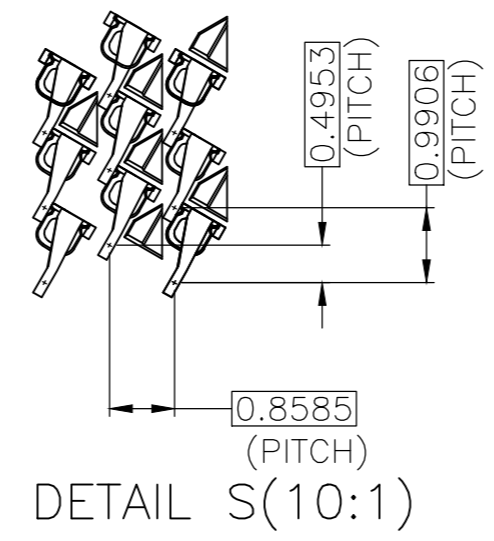
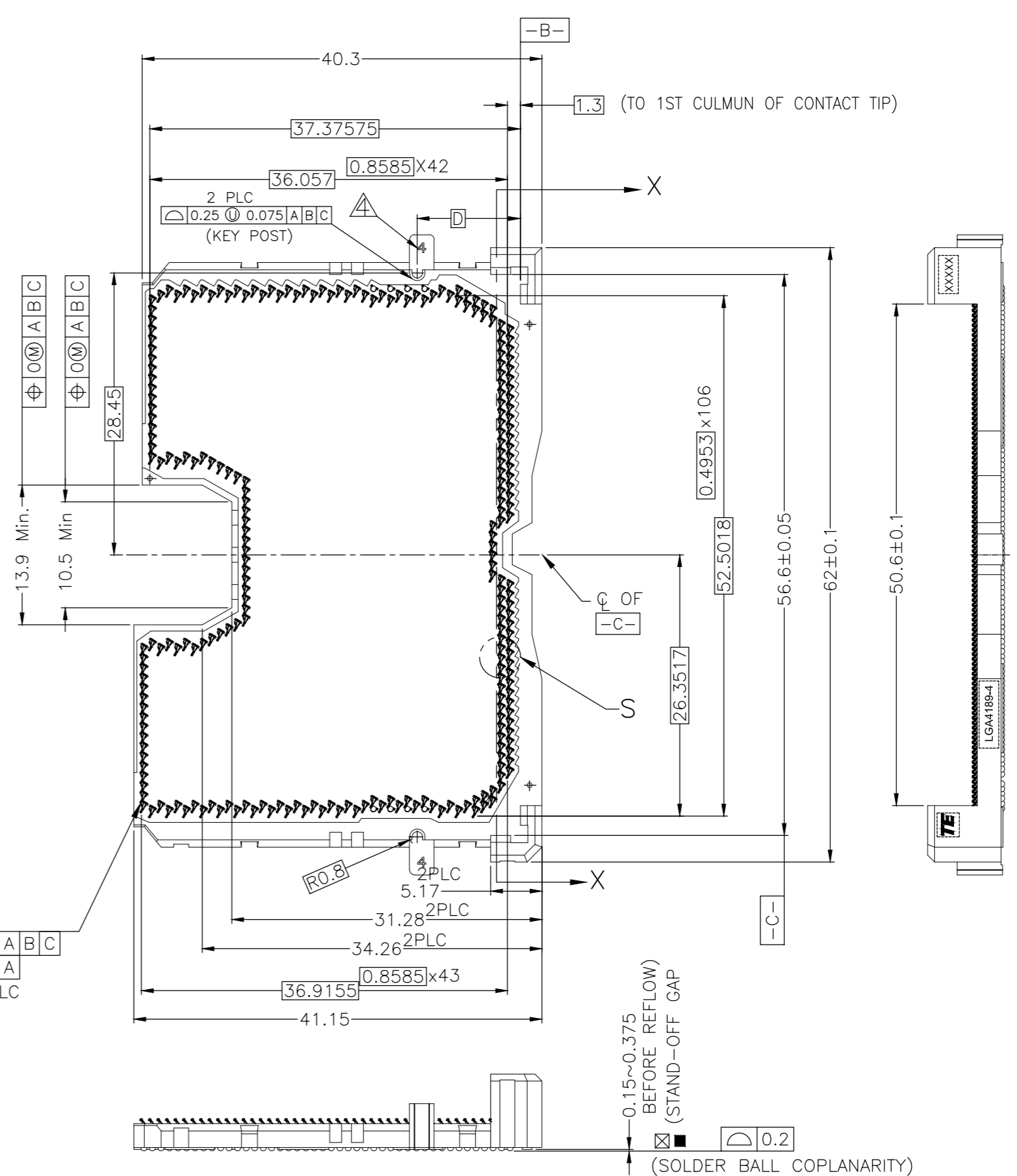
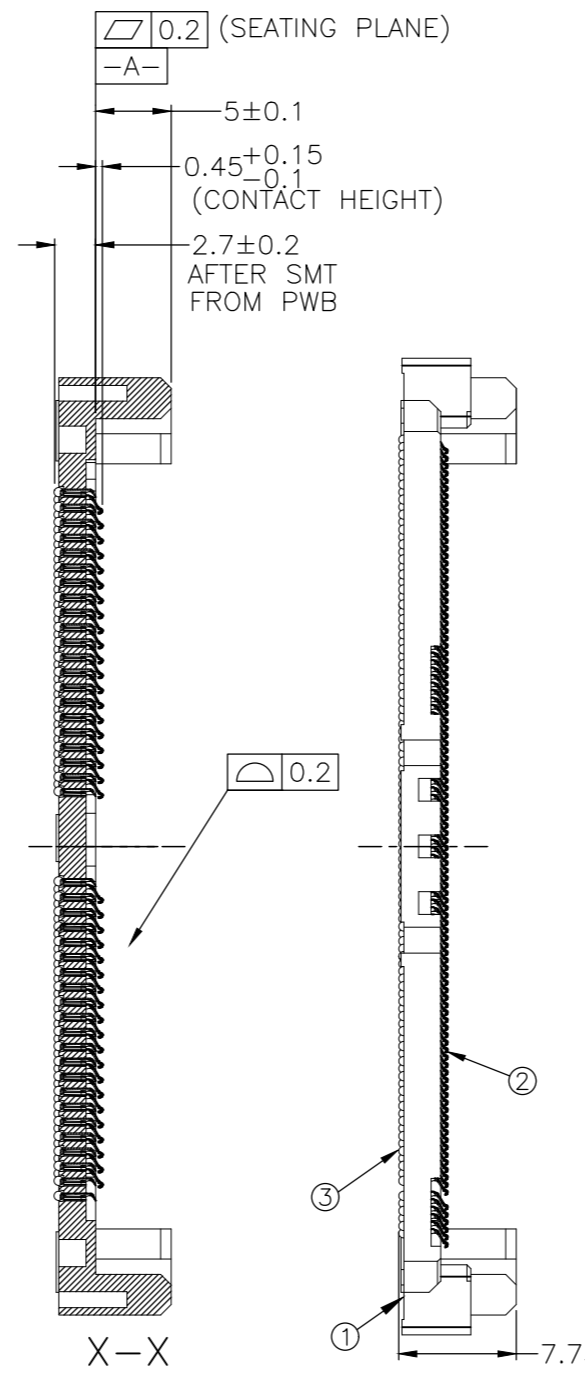
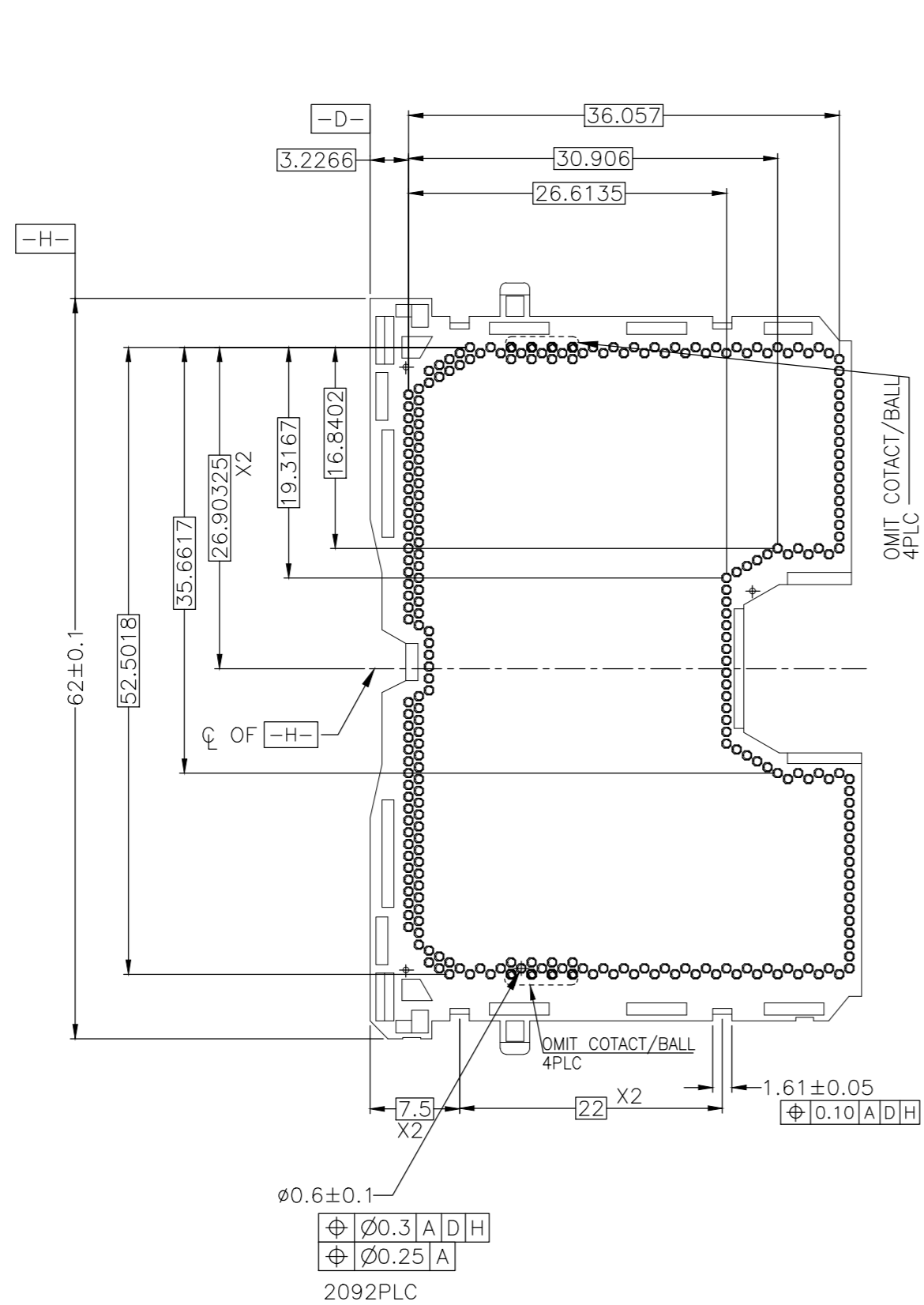
DETAIL P(10:1)

THESE VIEW DON'T SHOW CAP BEFORE SMT CONDITION
 LGA4189-4 LEFT SIDE ASSY
 1-2323614-* AS SHOWN

THIS DRAWING IS A CONTROLLED DOCUMENT.		DWN	TE Connectivity	
DIMENSIONS: mm		CHK	NAME	
TOLERANCES UNLESS OTHERWISE SPECIFIED:		APVD	SOCKET ASSY LGA4189-X	
0-PLC ±		PRODUCT SPEC	SIZE	CAGE CODE
1-PLC ±		APPLICATION SPEC	A2	00779
2-PLC ±		WEIGHT	DRAWING NO	RESTRICTED TO
3-PLC ±		CUSTOMER DRAWING	C=2324271	-
4-PLC ±		SCALE	SHEET	REV
ANGLES ±		NTS	2 OF 7	8
FINISH				

THIS DRAWING IS UNPUBLISHED. RELEASED FOR PUBLICATION
 © COPYRIGHT - Tyco Electronics JAPAN G.K. ALL RIGHTS RESERVED.

LOC	DIST	REVISIONS					
		P	LTR	DESCRIPTION	DATE	DWN	APVD
ES	-	-	-	SEE SHEET 1	-	-	-



THESE VIEW DON'T SHOW CAP BEFORE SMT CONDITION
 LGA4189-4 RIGHT SIDE ASSY
 2323614-* AS SHOWN

TABLE FOR P4/P5 KEY LOCATION

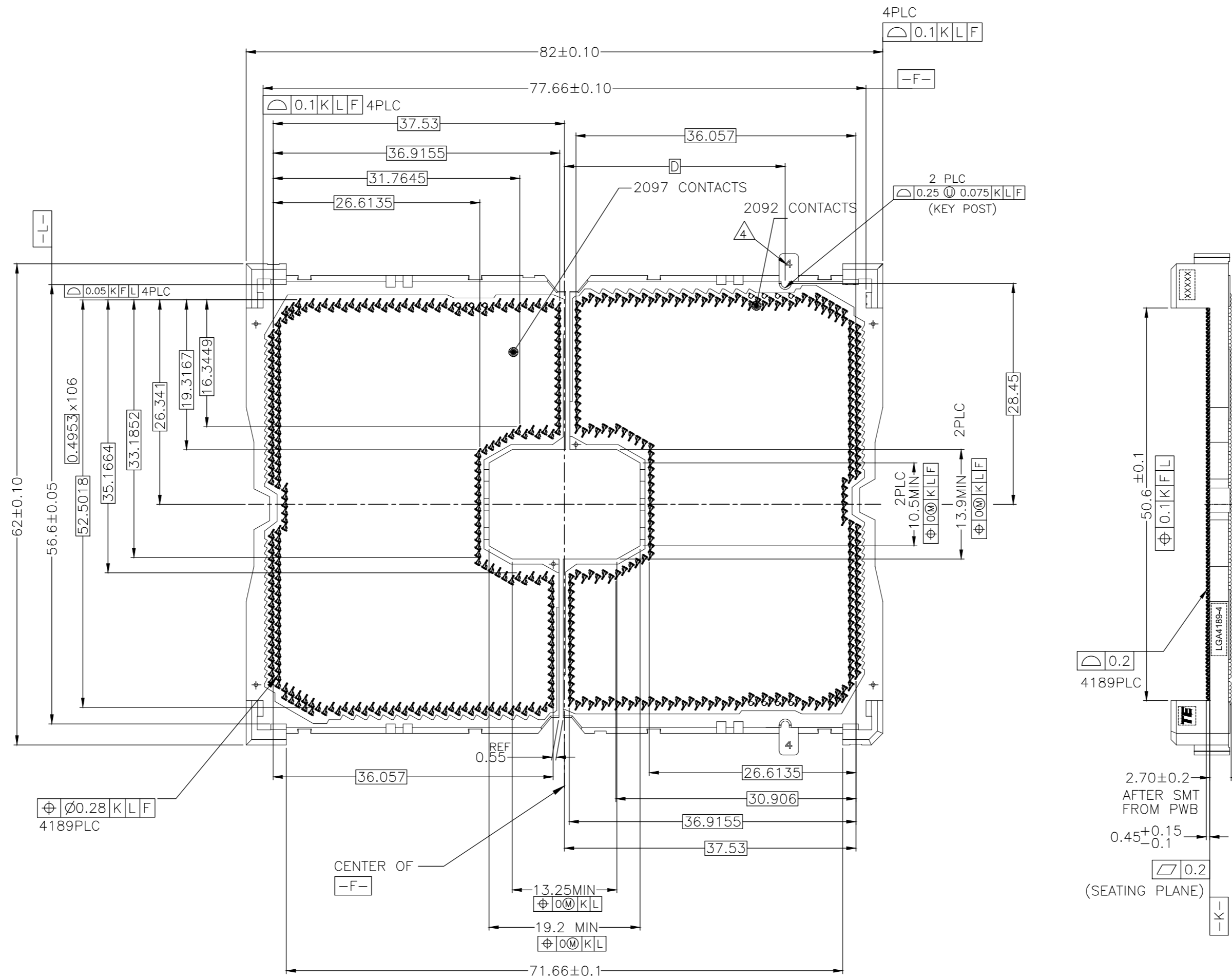
LGA4189 SOCKET P5(RIGHT SEGMENT)	13.415
LGA4189 SOCKET P4(RIGHT SEGMENT)	10.415
DESCRIPTION	DIM D

THIS DRAWING IS A CONTROLLED DOCUMENT.

DIMENSIONS: mm	TOLERANCES UNLESS OTHERWISE SPECIFIED: 0-PLC ± 1-PLC ± 2-PLC ±0.3 3-PLC ±3 4-PLC ± ANGLES ± FINISH	DWN CHK APVD PRODUCT SPEC APPLICATION SPEC WEIGHT CUSTOMER DRAWING	TE Connectivity SOCKET ASSY LGA4189-X
MATERIAL		SIZE A2 CAGE CODE 00779 DRAWING NO. C=2324271	RESTRICTED TO
		SCALE NTS SHEET 3 OF 7 REV 8	

THIS DRAWING IS UNPUBLISHED. RELEASED FOR PUBLICATION
 © COPYRIGHT - Tyco Electronics JAPAN G.K. ALL RIGHTS RESERVED.

LOC	DIST	REVISIONS					
		P	LTR	DESCRIPTION	DATE	DWN	APVD
ES	-	-	-	SEE SHEET 1	-	-	-



AFTER SMT CONDITION (WITHOUT CAP)

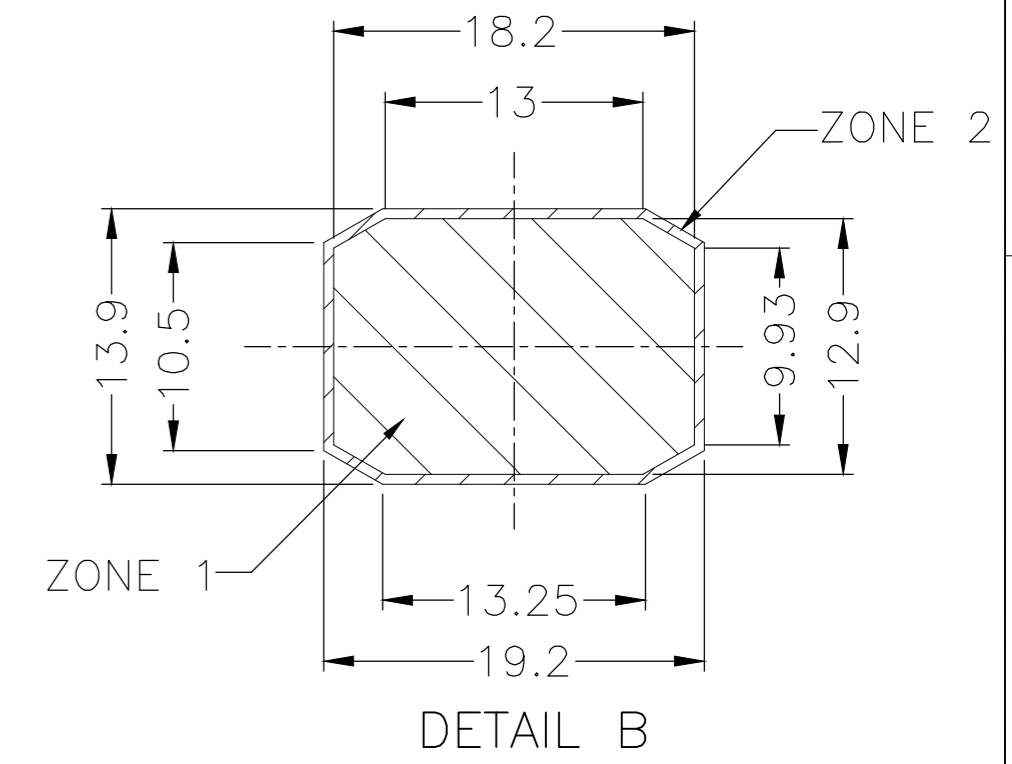
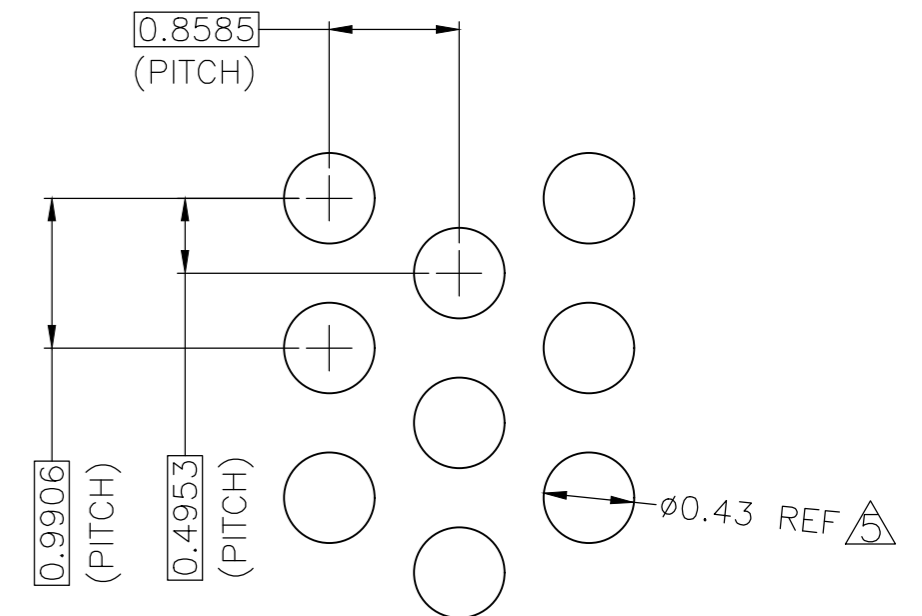
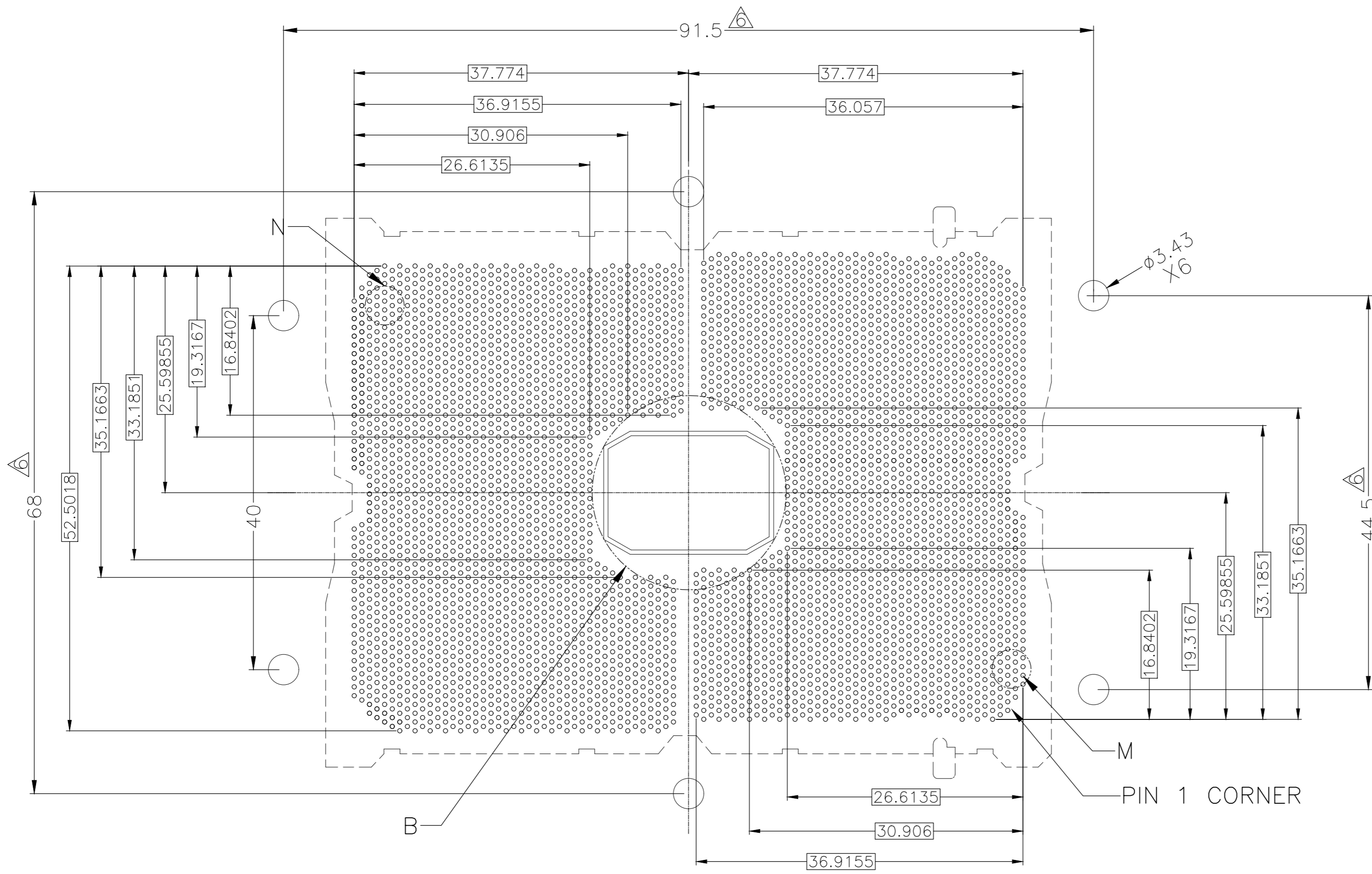
TABLE FOR P4/P5 KEY LOCATION

LGA4189 SOCKET P5(RIGHT SEGMENT)	25.415
LGA4189 SOCKET P4(RIGHT SEGMENT)	28.415
DESCRIPTION	DIM D

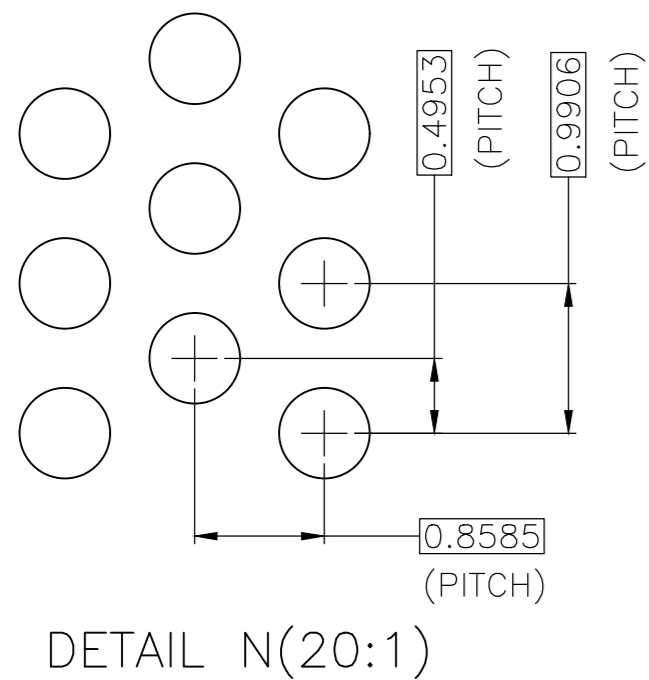
THIS DRAWING IS A CONTROLLED DOCUMENT.		DWN	-	 TE Connectivity	NAME		
DIMENSIONS: mm		CHK	-		SOCKET ASSY		
TOLERANCES UNLESS OTHERWISE SPECIFIED:		APVD	-		LGA2324271-X		
0-PLC ± 1-PLC ± 2-PLC ± 3-PLC ± 4-PLC ± ANGLES ±		PRODUCT SPEC	-		SIZE	CAGE CODE	DRAWING NO
MATERIAL		APPLICATION SPEC	-	A2	00779	C=2324271	-
FINISH		WEIGHT	-	CUSTOMER DRAWING			SCALE
				NTS		SHEET	4 OF 7
						REV	8

THIS DRAWING IS UNPUBLISHED. RELEASED FOR PUBLICATION
 © COPYRIGHT - Tyco Electronics JAPAN G.K. ALL RIGHTS RESERVED.

LOC	DIST	REVISIONS					
ES	-	P	LTR	DESCRIPTION	DATE	DWN	APVD
		-	-	SEE SHEET 1	-	-	-



PCB BALL LAYOUT REFERENCE



KOZ LEGEND FOR REFERENCE:

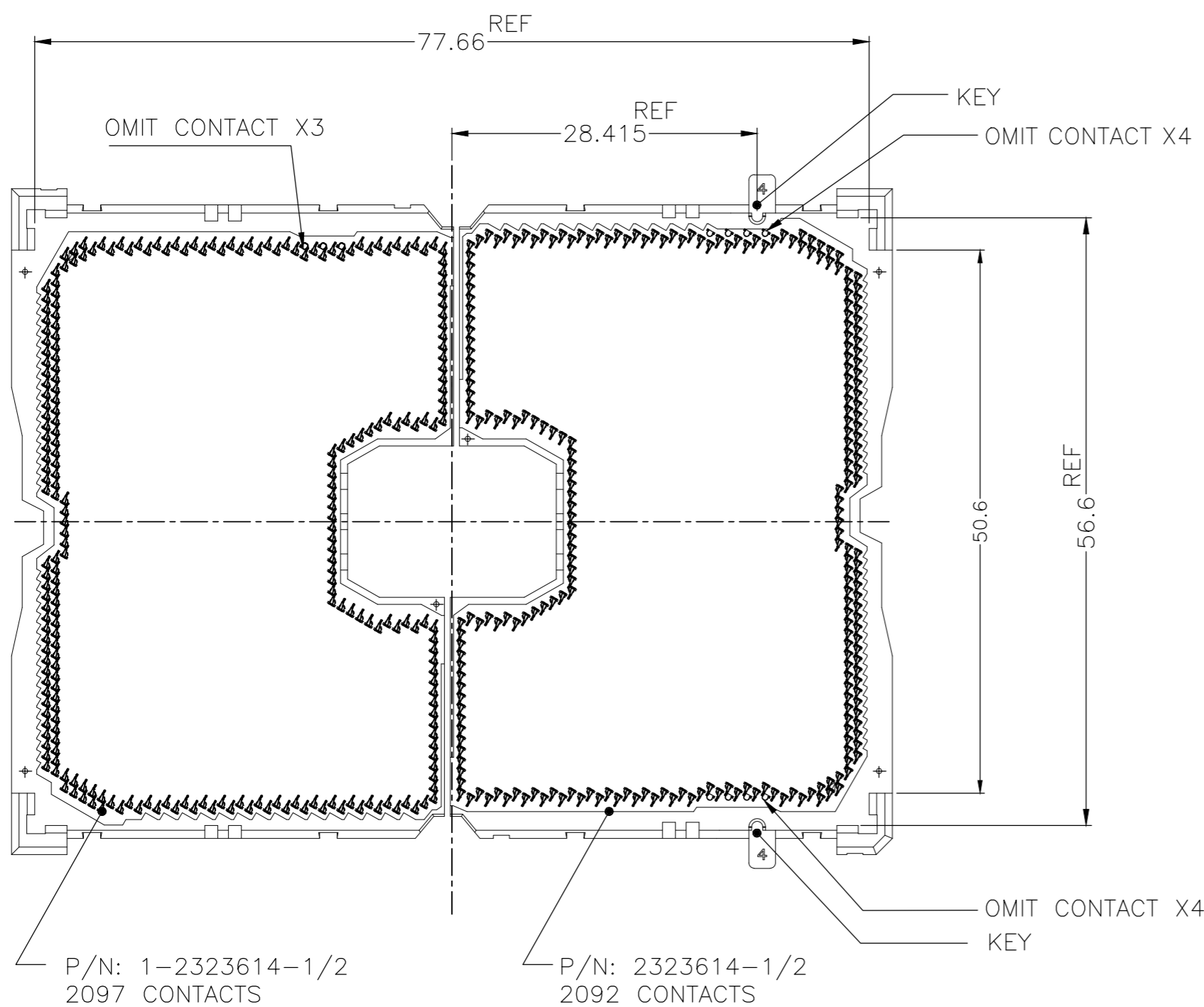
	ZONE 2: SOCKET CAVITY TO SOCKET ZONE. NO COMPONENT PLACEMENT ALLOWED 0.0mm HEIGHT RESTRICTION.
	ZONE 1: SOCKET CAVITY 1.222mm HEIGHT RESTRICTION.

THIS DRAWING IS A CONTROLLED DOCUMENT.		DWN	-		
DIMENSIONS: mm		CHK	-		
TOLERANCES UNLESS OTHERWISE SPECIFIED:		APVD	-		
0-PLC \pm		NAME			
1-PLC ± 0.3		SOCKET ASSY			
2-PLC \pm		LGA4189-X			
3-PLC \pm		PRODUCT SPEC	-		
4-PLC \pm		APPLICATION SPEC	-		
ANGLES \pm		WEIGHT	-		
FINISH		SIZE		CAGE CODE	DRAWING NO
-		A2		00779	C=2324271
MATERIAL		CUSTOMER DRAWING		RESTRICTED TO	-
-		SCALE		SHEET	REV
-		NTS		5 of 7	8

THIS DRAWING IS UNPUBLISHED. RELEASED FOR PUBLICATION
 © COPYRIGHT - Tyco Electronics JAPAN G.K. ALL RIGHTS RESERVED.

LOC	DIST	REVISIONS					
		P	LTR	DESCRIPTION	DATE	DWN	APVD
ES	-	-	-	SEE SHEET 1	-	-	-

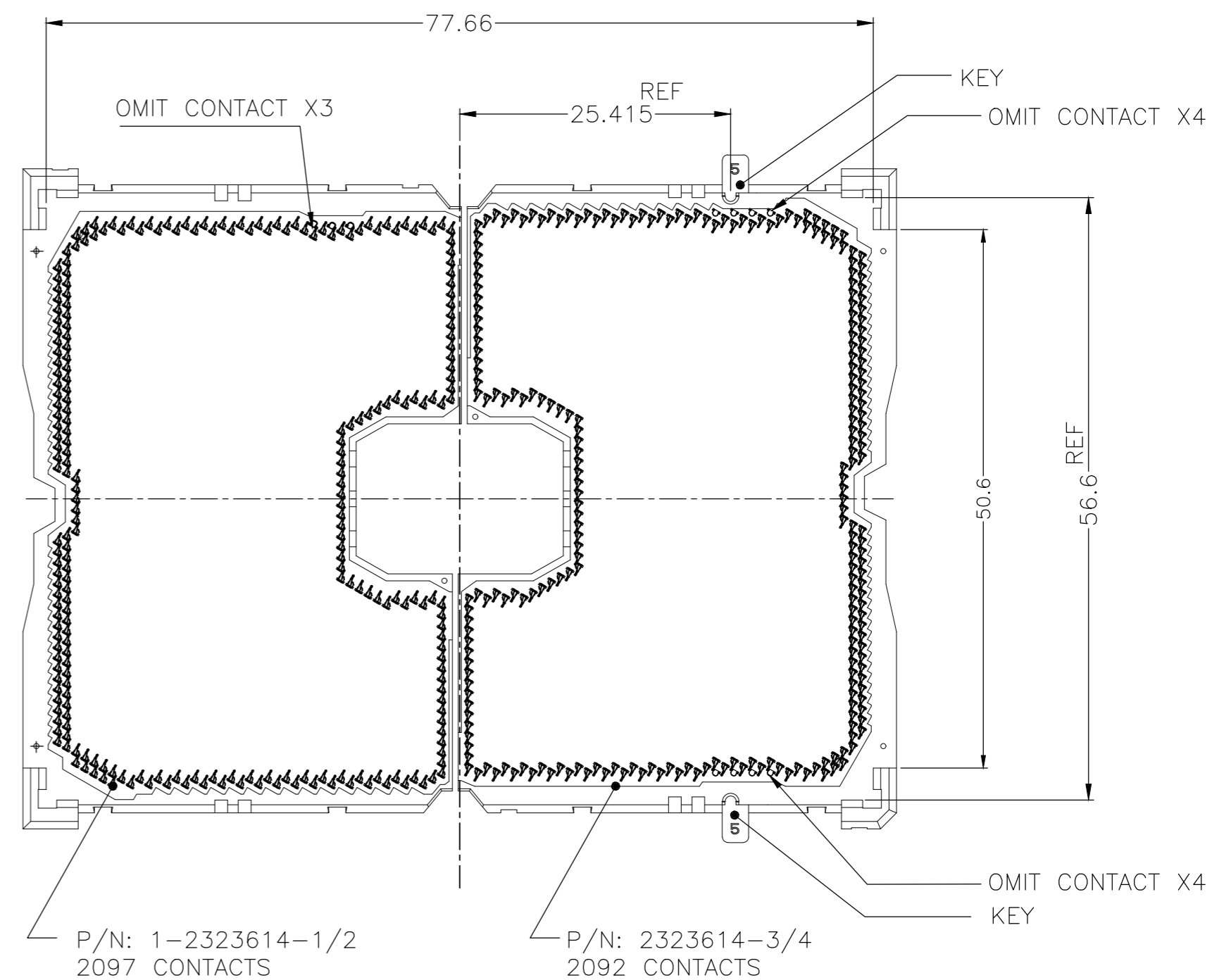
SOCKET P4,LGA4189-4 AS SHOWN



LGA4189-4 AS SHOWN

AFTER SMT CONDITION (WITHOUT CAP)

SOCKET P5,LGA4189-5 AS SHOWN



LGA4189-5 AS SHOWN

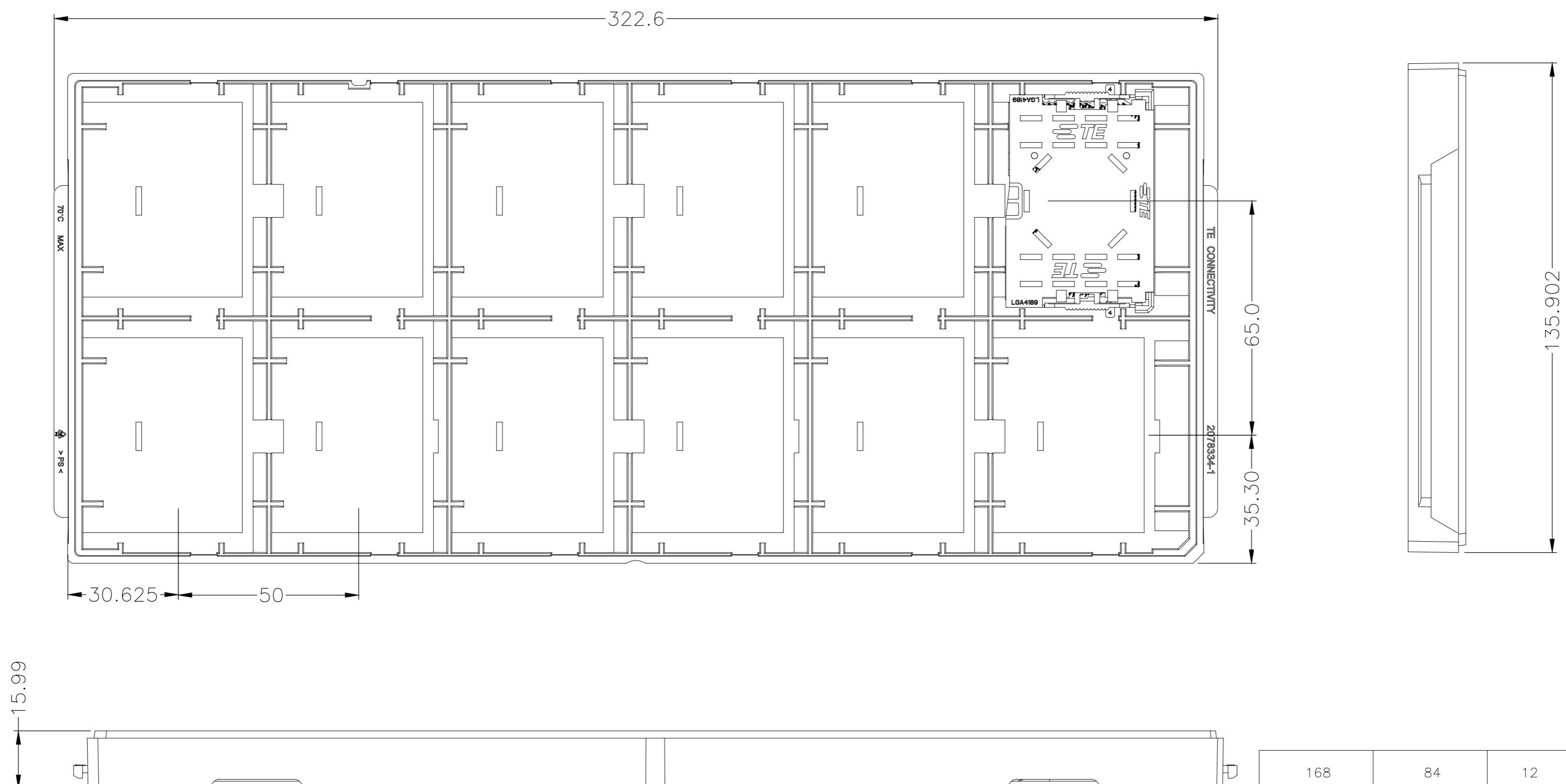
AFTER SMT CONDITION (WITHOUT CAP)

LGA4189-X POST SMT CONDITION
(PCB IS NOT SHOWN)

THIS DRAWING IS A CONTROLLED DOCUMENT.		DWN -	TE TE Connectivity	
DIMENSIONS: mm		CHK -		
TOLERANCES UNLESS OTHERWISE SPECIFIED:		APVD -	NAME	
0-PLC ±		PRODUCT SPEC -	SOCKET ASSY	
1-PLC ± ±0.3		APPLICATION SPEC -	LGA4189-X	
2-PLC ± ±3		WEIGHT -	SIZE A2	CAGE CODE 00779
3-PLC ±		CUSTOMER DRAWING	DRAWING NO. C=2324271	RESTRICTED TO -
4-PLC ±		SCALE NTS	SHEET 6 of 7	REV 8
FINISH -				

THIS DRAWING IS UNPUBLISHED. RELEASED FOR PUBLICATION
 © COPYRIGHT - Tyco Electronics JAPAN G.K. ALL RIGHTS RESERVED.

LOC	DIST	REVISIONS					
ES	-	P	LTR	DESCRIPTION	DATE	DWN	APVD
		-	-	SEE SHEET 1	-	-	-



FOR LEFT SEGMENT,USE BLACK TRAY TO PACKAGE.
 FOR RIGHT SEGMENT,USE BLUE TRAY TO PACKAGE.

SOCKET P4/5 HARD TRAY

168	84	12	2323614-4	1-2324271-7	LGA4189-5 RIGHT SEGMENT	LGA4189-5 SOCKET P5
168	84	12	1-2323614-2	1-2324271-8	LGA4189-5 LFFT SEGMENT	
168	84	12	2323614-3	1-2324271-5	LGA4189-5 RIGHT SEGMENT	
168	84	12	1-2323614-1	1-2324271-6	LGA4189-5 LFFT SEGMENT	
168	84	12	2323614-2	1-2324271-3	LGA4189-4 RIGHT SEGMENT	LGA4189-4 SOCKET P4
168	84	12	1-2323614-2	1-2324271-4	LGA4189-4 LFFT SEGMENT	
168	84	12	2323614-1	1-2324271-1	LGA4189-4 RIGHT SEGMENT	
168	84	12	1-2323614-1	1-2324271-2	LGA4189-4 LFFT SEGMENT	
SOCKET QTY PER OUTER BOX	SOCKET QTY PER INNER BOX	SOCKET QTY PER TRAY	ASSY PART NUMBER	ORDER PART NUMBER	PRODUCT NAME	

THIS DRAWING IS A CONTROLLED DOCUMENT.

DWN	-		TE Connectivity			
CHK	-		NAME			
APVD	-		SOCKET ASSY LGA4189-X			
PRODUCT SPEC	-		SIZE	CAGE CODE	DRAWING NO	RESTRICTED TO
APPLICATION SPEC	-	A2	00779	C=2324271	-	
WEIGHT	-	CUSTOMER DRAWING		SCALE	SHEET	REV
				NTS	7 of 7	8

Компания «Life Electronics» занимается поставками электронных компонентов импортного и отечественного производства от производителей и со складов крупных дистрибьюторов Европы, Америки и Азии.

С конца 2013 года компания активно расширяет линейку поставок компонентов по направлению коаксиальный кабель, кварцевые генераторы и конденсаторы (керамические, пленочные, электролитические), за счёт заключения дистрибьюторских договоров

Мы предлагаем:

- Конкурентоспособные цены и скидки постоянным клиентам.
- Специальные условия для постоянных клиентов.
- Подбор аналогов.
- Поставку компонентов в любых объемах, удовлетворяющих вашим потребностям.
- Приемлемые сроки поставки, возможна ускоренная поставка.
- Доставку товара в любую точку России и стран СНГ.
- Комплексную поставку.
- Работу по проектам и поставку образцов.
- Формирование склада под заказчика.
- Сертификаты соответствия на поставляемую продукцию (по желанию клиента).
- Тестирование поставляемой продукции.
- Поставку компонентов, требующих военную и космическую приемку.
- Входной контроль качества.
- Наличие сертификата ISO.

В составе нашей компании организован Конструкторский отдел, призванный помогать разработчикам, и инженерам.

Конструкторский отдел помогает осуществить:

- Регистрацию проекта у производителя компонентов.
- Техническую поддержку проекта.
- Защиту от снятия компонента с производства.
- Оценку стоимости проекта по компонентам.
- Изготовление тестовой платы монтаж и пусконаладочные работы.



Тел: +7 (812) 336 43 04 (многоканальный)

Email: org@lifeelectronics.ru