

7000 SERIES/HIGH RELIABILITY REED RELAYS



7000 Series High Reliability Reed Relays

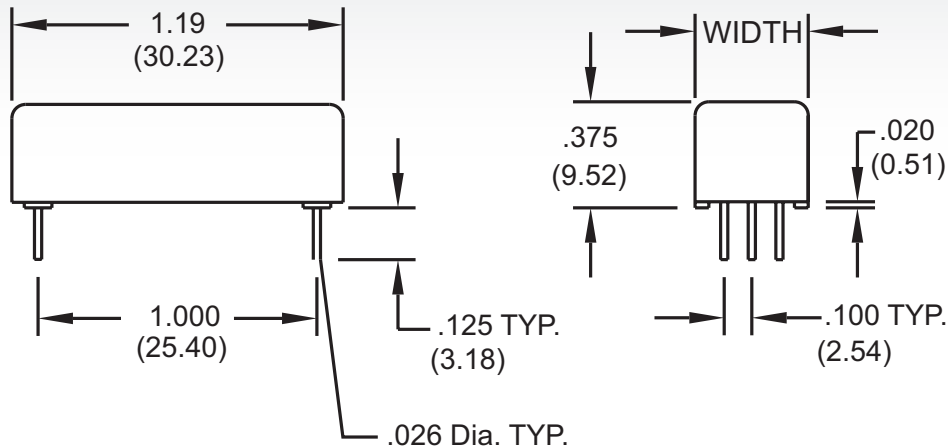
The 7000 Series is ideally suited to the needs of Instrumentation, Data Acquisition, Process Control, Telecommunications and General Purpose requirements. The specification tables allow you to select the appropriate relay for your particular application. These models are specifically designed for high quality and reliability with versatile switching capabilities and contact forms. If your requirements differ, please consult your local representative or Coto's Factory to discuss a custom reed relay.

7000 Series Features

- ▶ Multi-pole contact forms (Form A, B, and C)
- ▶ Wide range of switching capabilities; Low level, High Voltage, Hg wetted
- ▶ Hermetically sealed contacts for long life and high reliability
- ▶ High speed switching compared to electromechanical relays
- ▶ Potted in metal shell - Magnetic Shield
- ▶ Optional Electrostatic Shield for reducing capacitive coupling
- ▶ PCB mounting versatility - 1.0" x 0.100" grid
- ▶ Optional coil suppression diode offered to protect coil drivers
- ▶ Custom configurations available - consult factory
- ▶ RoHS compliant (N/A 7201, 7202, 7203, 7204)

DIMENSIONS

in Inches (Millimeters)



| WIDTH | A | B | C | D |
|-----------|-----------------|-----------------|-----------------|-----------------|
| Dimension | .410 (10.41) | .500 (12.70) | .660 (16.76) | .760 (19.30) |

Table #1

Ordering Information

| | |
|-------------------------------------|---|
| Part Number | XXXX-XX-1XXX |
| Model Number | See Tables (7000 Series) |
| Coil Voltage | 05=5 volts 12=12 volts 24=24 volts |
| Coil Termination | 0=End to End 1=Same End |
| Diode Options | 0=No Diode 1=Diode Included |
| Electrostatic Shield Options | 0=No Electrostatic Shield 1=Electrostatic Shield |

7000 SERIES

| Parameters | Test Conditions | Units | Form A, B ² | Form C | Form A ³ Hg Wetted | Form A High Voltage |
|---|--|------------------------|------------------------|------------------|----------------------------------|------------------------|
| CONTACT RATINGS | | | | | | |
| Switching Voltage | Max DC/Peak AC Resist. | Volts | 200 | 150 | 500 | 500 |
| Switching Current | Max DC/Peak AC Resist. | Amps | 0.5 | 0.25 | 1.0 | 0.5 |
| Carry Current | Max DC/Peak AC Resist. | Amps | 2.0 | 0.5 | 2.0 | 2.0 |
| Contact Rating | Max DC/Peak AC Resist. | Watts | 10 | 3 | 50 | 10 |
| Life Expectancy-Typical ¹ | Signal Level 1.0V, 10mA | x 10 ⁶ Ops. | 1000 | 100 | 1000 | 100 |
| Static Contact Resistance (max. init.) | 50mV, 10mA | Ω | 0.100 | 0.150 | 0.075 | 0.100 |
| Dynamic Contact Resistance (max. init.) | 0.5V, 50mA at 100 Hz, 1.5 msec | Ω | 0.150 | 0.200 | 0.100 | 0.150 |
| RELAY SPECIFICATIONS | | | | | | |
| Insulation Resistance (minimum) | Between all Isolated Pins at 100V, 25°C, 40% RH | Ω | 10 ¹² | 10 ¹⁰ | 10 ¹² | 10 ¹² |
| Capacitance - Typical Across Open Contacts | No Shield | pF | 1.0 | 2.0 | 1.0 | 1.0 |
| | Shield Guarding | pF | 0.2 | 1.0 | 0.2 | 0.2 |
| Dielectric Strength (minimum) | Between Contacts | VDC/peak AC | 250 | 200 | 1000 | 1200 |
| | Contacts to Shield | VDC/peak AC | 1000 | 1000 | 1000 | 1000 |
| | Contacts/Shield to Coil | VDC/peak AC | 1500 | 1500 | 1500 | 1500 |
| Operate Time - including bounce - Typical | At Nominal Coil Voltage, 30 Hz Square Wave | msec. | 1.0 | 2.0 | 2.0 | 1.0 |
| Release Time - Typical | | msec. | 0.1 | 2.5 | 1.0 | 0.1 |

Dot stamped on top of relay refers to pin #1 location

(See following pages for schematic diagrams and coil data.)

Notes:

¹ Consult factory for life expectancy at other switching loads.

² Optional coil suppression diode Pin #1 is +.

³ Hg Content: Form A, 0.04 grams per capsule; Form C, 0.072 grams per capsule.

Environmental Ratings:

Storage Temp: -35°C to +100°C; *Operating Temp:* -20°C to +85°C; *Solder Temp:* 270°C max; 10 sec. max

All electrical parameters measured at 25°C unless otherwise specified.

Vibration: 20 G's to 2000 Hz; *Shock:* 50 G's

7000 SERIES/HIGH RELIABILITY REED RELAYS

| Contact Form | Model Number | Nominal Coil Voltage VDC | Must Operate Voltage VDC max. | Must Release Voltage VDC min. | Coil Resistance $\pm 10\%$ @25°C | Width (See Table #1) | Schematic Top View ^{2,5} End to End Coil | Same End Coil |
|-----------------|--------------|--------------------------|-------------------------------|-------------------------------|----------------------------------|----------------------|--|---------------|
| 1A | 7101 | 5 12 24 | 3.75 9.0 18.0 | 0.4 1.0 2.0 | 300 1600 4200 | A | | |
| 2A | 7102 | 5 12 24 | 3.75 9.0 18.0 | 0.4 1.0 2.0 | 150 1000 3500 | B | | |
| 3A | 7103 | 5 12 24 | 3.75 9.0 18.0 | 0.4 1.0 2.0 | 100 800 2400 | C | | |
| 4A | 7104 | 5 12 24 | 3.75 9.0 18.0 | 0.4 1.0 2.0 | 80 550 2000 | D | | |
| 1B ⁴ | 7121 | 5 12 24 | 3.75 9.0 18.0 | 0.4 1.0 2.0 | 150 1000 3500 | B | | |
| 1C | 7141 | 5 12 24 | 3.75 9.0 18.0 | 0.4 1.0 2.0 | 175 1100 4200 | A | | |
| 2C | 7142 | 5 12 24 | 3.75 9.0 18.0 | 0.4 1.0 2.0 | 65 490 1550 | C | | |
| 3C | 7143 | 5 12 24 | 3.75 9.0 18.0 | 0.4 1.0 2.0 | 55 300 1350 | D | | |

| Contact Form | Model Number | Nominal Coil Voltage VDC | Must Operate Voltage VDC max. | Must Release Voltage VDC min. | Coil Resistance $\pm 10\%$ @25°C | Width (See Table #1) | Schematic Top View ^{2,5} End to End Coil | Same End Coil |
|---------------------------------|--------------|--------------------------|-------------------------------|-------------------------------|----------------------------------|----------------------|--|---------------|
| 1A Hg wetted ⁵ | 7201 | 5 12 24 | 3.75 9.0 18.0 | 0.4 1.0 2.0 | 70 450 1785 | A | | |
| 2A Hg wetted ⁵ | 7202 | 5 12 24 | 3.75 9.0 18.0 | 0.4 1.0 2.0 | 60 340 1330 | B | | |
| 3A Hg wetted ⁵ | 7203 | 5 12 24 | 3.75 9.0 18.0 | 0.4 1.0 2.0 | 50 300 1200 | C | | |
| 4A Hg wetted ⁵ | 7204 | 5 12 24 | 3.75 9.0 18.0 | 0.4 1.0 2.0 | 40 250 960 | D | | |
| 1A High Voltage | 7301 | 5 12 24 | 3.75 9.0 18.0 | 0.4 1.0 2.0 | 175 1100 4200 | A | | |
| 2A High Voltage | 7302 | 5 12 24 | 3.75 9.0 18.0 | 0.4 1.0 2.0 | 100 640 2450 | B | | |
| 3A High Voltage | 7303 | 5 12 24 | 3.75 9.0 18.0 | 0.4 1.0 2.0 | 65 490 1550 | C | | |
| 4A High Voltage | 7304 | 5 12 24 | 3.75 9.0 18.0 | 0.4 1.0 2.0 | 55 300 1350 | D | | |

Notes:

⁴These relays contain bias magnets. Correct coil polarity must be observed.

⁵ Dot stamped on top of relay refers to pin #1 location. E-pin indicates Electrostatic shield pin. Unused pins omitted. Pin numbers for reference only.

⁶ All models with Hg wetted contacts are position sensitive, must be mounted within 30° of vertical plane. See schematic.

Компания «Life Electronics» занимается поставками электронных компонентов импортного и отечественного производства от производителей и со складов крупных дистрибьюторов Европы, Америки и Азии.

С конца 2013 года компания активно расширяет линейку поставок компонентов по направлению коаксиальный кабель, кварцевые генераторы и конденсаторы (керамические, пленочные, электролитические), за счёт заключения дистрибьюторских договоров

Мы предлагаем:

- Конкурентоспособные цены и скидки постоянным клиентам.
- Специальные условия для постоянных клиентов.
- Подбор аналогов.
- Поставку компонентов в любых объемах, удовлетворяющих вашим потребностям.
- Приемлемые сроки поставки, возможна ускоренная поставка.
- Доставку товара в любую точку России и стран СНГ.
- Комплексную поставку.
- Работу по проектам и поставку образцов.
- Формирование склада под заказчика.
- Сертификаты соответствия на поставляемую продукцию (по желанию клиента).
- Тестирование поставляемой продукции.
- Поставку компонентов, требующих военную и космическую приемку.
- Входной контроль качества.
- Наличие сертификата ISO.

В составе нашей компании организован Конструкторский отдел, призванный помогать разработчикам, и инженерам.

Конструкторский отдел помогает осуществить:

- Регистрацию проекта у производителя компонентов.
- Техническую поддержку проекта.
- Защиту от снятия компонента с производства.
- Оценку стоимости проекта по компонентам.
- Изготовление тестовой платы монтаж и пусконаладочные работы.



Тел: +7 (812) 336 43 04 (многоканальный)

Email: org@lifeelectronics.ru