

PLEASE CHECK WWW.MOLEX.COM FOR LATEST PART INFORMATION

Part Number: [0010845060](#)
Status: **Active**
Overview: [mlx](#)
Description: 6.35mm (.250) Pitch MLX™ Power Connector Header, Vertical, 6 Circuits, Polyester 94V-0, Tin (Sn) Plating, White

Documents:

[3D Model](#) [Product Specification PS-42022-0001 \(PDF\)](#)
[Drawing \(PDF\)](#) [RoHS Certificate of Compliance \(PDF\)](#)

Agency Certification

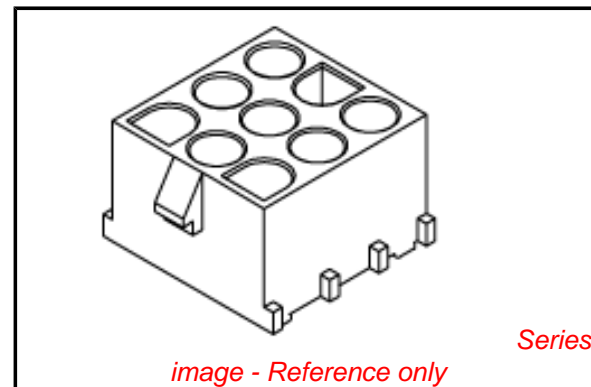
CSA LR19980
 UL E29179

General

Product Family PCB Headers
 Series [42002](#)
 Application Wire-to-Board
 Comments Solder Type
 Overview [mlx](#)
 Product Name MLX™

Physical

Breakaway No
 Circuits (Loaded) 6
 Circuits (maximum) 6
 Color - Resin Natural
 Durability (mating cycles max) 50
 First Mate / Last Break No
 Flammability 94V-0
 Glow-Wire Compliant No
 Guide to Mating Part Yes
 Keying to Mating Part Yes
 Lock to Mating Part Yes
 Material - Metal Phosphor Bronze
 Material - Plating Mating Tin
 Material - Resin Polyester
 Number of Rows 3
 Orientation Vertical
 PC Tail Length (in) 0.168 In
 PC Tail Length (mm) 4.27 mm
 PCB Retention Yes
 PCB Thickness Recommended (in) 0.062 In
 PCB Thickness Recommended (mm) 1.60 mm
 Packaging Type Bag
 Pitch - Mating Interface (in) 0.250 In
 Pitch - Mating Interface (mm) 6.35 mm
 Pitch - Term. Interface (in) 0.250 In
 Pitch - Term. Interface (mm) 6.35 mm
 Polarized to Mating Part Yes
 Polarized to PCB Yes
 Shrouded Fully
 Stackable No
 Surface Mount Compatible (SMC) No
 Temperature Range - Operating -55°C to +105°C
 Termination Interface: Style Through Hole



EU RoHS

ELV and RoHS Compliant
REACH SVHC Contains SVHC: No
Halogen-Free Status

China RoHS



Need more information on product environmental compliance?

Email productcompliance@molex.com
 For a multiple part number RoHS Certificate of Compliance, [click here](#)

Please visit the [Contact Us](#) section for any non-product compliance questions.

Search Parts in this Series

[42002Series](#)

Mates With

[42021 Plug](#)

Electrical

Current - Maximum per Contact 13.5A
Voltage - Maximum 600V

Solder Process Data

Duration at Max. Process Temperature (seconds) 10
Lead-free Process Capability Wave Capable (TH only)
Process Temperature max. C 260

Material Info

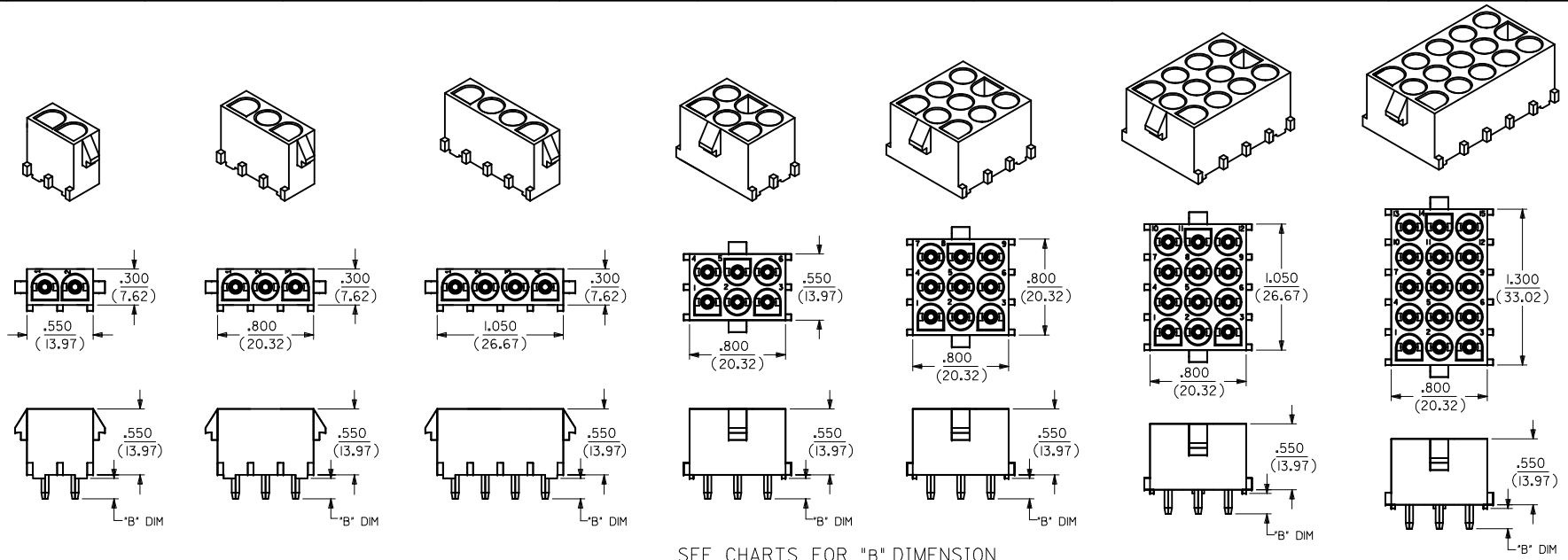
Old Part Number 42002-06C1A1

Reference - Drawing Numbers

Packaging Specification PK-43255-002
Product Specification PS-42022-0001
Sales Drawing SDA-42002-*****

This document was generated on 05/24/2010

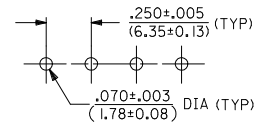
PLEASE CHECK WWW.MOLEX.COM FOR LATEST PART INFORMATION



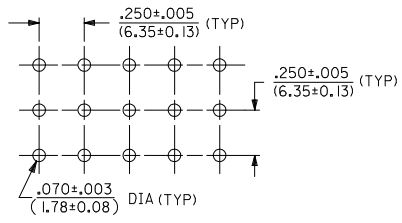
SEE CHARTS FOR "B" DIMENSION

P.C. BOARD MOUNTING DIMENSIONS

2, 3, & 4 POSITION HEADER ASSEMBLIES



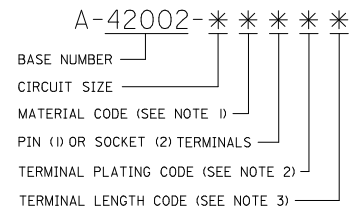
6, 9, 12 & 15 POSITION HEADER ASSEMBLIES



NOTES:

- 1) MATERIAL CODES:
 - *A*= NYLON 6/6, 94V-2, NATURAL
 - *C*= PLOYESTER, 94V-0, WHITE/NATURAL
 - *D*= NYLON V-2
COLOUR:BLACK(ZYTEL 101F)
 - *E*= NYLON V-2
COLOUR:NATURAL
 - GLOWWIRE COMPATIBLE WITH CTI OF 325V
- 2) PLATING CODES:
 - A = ES-88-P921
- 3) TERMINAL LENGTH CODES:
 - I= TERMINAL FOR .062/(1.57) THICK PC BOARD
- 4) DIMENSIONS ARE FOR REFERENCE ONLY UNLESS INDICATED OTHERWISE.
- 5) HEADER ASSEMBLY HOUSINGS MATE WITH :
PLUG HOUSINGS, .084/(2.13) DIA. SERIES: (42021-***)
- 6) CONTACTS ARE ON .250/(6.35) GRID CENTERLINE SPACING.

LEGEND:



| | | | | | | | | | | |
|--|---|--|--|---------------------------------|--------------------|--|----------------------|---------------------------|--|--|
| ENTER DESCRIPTION EC NO: 12010-0067 DRWNS: NS01 CHKD: GJLOWE APPR: KRASAD 2009/11/02 2010/01/27 2010/01/27 | QUALITY SYMBOLS ∇=0 ∇=0 ∇=0 | GENERAL TOLERANCES (UNLESS SPECIFIED) | | DIMENSION STYLE IN/MM | | SCALE NTS | DESIGN UNITS INCH | THIRD ANGLE PROJECTION | | |
| | | 4 PLACES ±--- ±--- 3 PLACES ±--- ±.005 2 PLACES ±0.13 ±.010 1 PLACE ±0.25 ±--- ANGULAR ±---° | | DRAWN BY SSUDHIR | DATE 2004/06/08 | TITLE HEADER HOUSING ASSEMBLY .084/(2.13)DIA.SERIES | | | | |
| | | DRAFT WHERE APPLICABLE MUST REMAIN WITHIN DIMENSIONS | | CHECKED BY GJLOWE | DATE 2004/06/08 | MATERIAL NO. SEE CHART | | | | |
| | | | | APPROVED BY GJLOWE | DATE 2004/06/08 | DOCUMENT NO. SDA-42002-***** | | SHEET NO. 1 OF 2 | | |

| PART NO. | ENG. NO. | CIRCUIT SIZE | MATERIAL (SEE NOTE 1) | INSULATOR PART NO. | PLATING (SEE NOTE 2) | TERMINAL PART NO. | "B" DIM ±.015 |
|------------|----------------|--------------|-----------------------|--------------------|----------------------|-------------------|---------------|
| 10-84-4020 | A-42002-2A1A1 | 2 | A | 42002-2A | A | 42005-P921A | .17/(4,3) |
| 10-84-5020 | A-42002-2C1A1 | | C | 42002-2C | A | 42005-P921A | |
| 10-84-4022 | A-42002-2A2A1 | | A | 42002-2A | A | 42006-P921A | |
| 10-84-5021 | A-42002-2C2A1 | | C | 42002-2C | A | 42006-P921A | |
| 367590101 | 36759-0101 | | D | 366480042 | A | 42005-P921A | |
| 367590141 | 36759-0141 | | D | 366480042 | A | 42006-P921A | |
| 367570101 | 36757-0101 | E | 367570001 | A | 42005-P921A | | |
| 367570141 | 36757-0141 | E | 367570001 | A | 42006-P921A | | |
| 10-84-4030 | A-42002-3A1A1 | 3 | A | 42002-3A | A | 42005-P921A | .17/(4,3) |
| 10-84-5030 | A-42002-3C1A1 | | C | 42002-3C | A | 42005-P921A | |
| 10-84-4032 | A-42002-3A2A1 | | A | 42002-3A | A | 42006-P921A | |
| 10-84-5031 | A-42002-3C2A1 | | C | 42002-3C | A | 42006-P921A | |
| 367590102 | 36759-0102 | | D | 366480043 | A | 42005-P921A | |
| 367590142 | 36759-0142 | | D | 366480043 | A | 42006-P921A | |
| 367570102 | 36757-0102 | E | 367570002 | A | 42005-P921A | | |
| 367570142 | 36757-0142 | E | 367570002 | A | 42006-P921A | | |
| 10-84-4040 | A-42002-4A1A1 | 4 | A | 42002-4A | A | 42005-P921A | .17/(4,3) |
| 10-84-5040 | A-42002-4C1A1 | | C | 42002-4C | A | 42005-P921A | |
| 10-84-4042 | A-42002-4A2A1 | | A | 42002-4A | A | 42006-P921A | |
| 10-84-5041 | A-42002-4C2A1 | | C | 42002-4C | A | 42006-P921A | |
| 367590103 | 36759-0103 | | D | 366480044 | A | 42005-P921A | |
| 367590143 | 36759-0143 | | D | 366480044 | A | 42006-P921A | |
| 367570103 | 36757-0103 | E | 367570003 | A | 42005-P921A | | |
| 367570143 | 36757-0143 | E | 367570003 | A | 42006-P921A | | |
| 10-84-4060 | A-42002-6A1A1 | 6 | A | 42002-6A | A | 42005-P921A | .17/(4,3) |
| 10-84-5060 | A-42002-6C1A1 | | C | 42002-6C | A | 42005-P921A | |
| 10-84-4062 | A-42002-6A2A1 | | A | 42002-6A | A | 42006-P921A | |
| 10-84-5061 | A-42002-6C2A1 | | C | 42002-6C | A | 42006-P921A | |
| 367590104 | 36759-0104 | | D | 366480045 | A | 42005-P921A | |
| 367590144 | 36759-0144 | | D | 366480045 | A | 42006-P921A | |
| 367570104 | 36757-0104 | E | 367570004 | A | 42005-P921A | | |
| 367570144 | 36757-0144 | E | 367570004 | A | 42006-P921A | | |
| 10-84-4090 | A-42002-9A1A1 | 9 | A | 42002-9A | A | 42005-P921A | .17/(4,3) |
| 10-84-5090 | A-42002-9C1A1 | | C | 42002-9C | A | 42005-P921A | |
| 10-84-4092 | A-42002-9A2A1 | | A | 42002-9A | A | 42006-P921A | |
| 10-84-5091 | A-42002-9C2A1 | | C | 42002-9C | A | 42006-P921A | |
| 367590105 | 36759-0105 | | D | 366480046 | A | 42005-P921A | |
| 367590145 | 36759-0145 | | D | 366480046 | A | 42006-P921A | |
| 367570105 | 36757-0105 | E | 367570005 | A | 42005-P921A | | |
| 367570145 | 36757-0145 | E | 367570005 | A | 42006-P921A | | |
| 10-84-4120 | A-42002-12A1A1 | 12 | A | 42002-12A | A | 42005-P921A | .17/(4,3) |
| 10-84-5120 | A-42002-12C1A1 | | C | 42002-12C | A | 42005-P921A | |
| 10-84-4122 | A-42002-12A2A1 | | A | 42002-12A | A | 42006-P921A | |
| 10-84-5121 | A-42002-12C2A1 | | C | 42002-12C | A | 42006-P921A | |
| 367590106 | 36759-0106 | | D | 366480047 | A | 42005-P921A | |
| 367590146 | 36759-0146 | | D | 366480047 | A | 42006-P921A | |
| 367570106 | 36757-0106 | E | 367570006 | A | 42005-P921A | | |
| 367570146 | 36757-0146 | E | 367570006 | A | 42006-P921A | | |
| 10-84-4150 | A-42002-15A1A1 | 15 | A | 42002-15A | A | 42005-P921A | .17/(4,3) |
| 10-84-5150 | A-42002-15C1A1 | | C | 42002-15C | A | 42005-P921A | |
| 10-84-4152 | A-42002-15A2A1 | | A | 42002-15A | A | 42006-P921A | |
| 10-84-5151 | A-42002-15C2A1 | | C | 42002-15C | A | 42006-P921A | |
| 367590107 | 36759-0107 | | D | 366480057 | A | 42005-P921A | |
| 367590147 | 36759-0147 | | D | 366480057 | A | 42006-P921A | |
| 367570107 | 36757-0107 | E | 367570007 | A | 42005-P921A | | |
| 367570147 | 36757-0147 | E | 367570007 | A | 42006-P921A | | |

| | | | | | | | | | | |
|---|---|---|--|-------------------------------------|--|--|----------------------|---------------------------------|--|---------------------|
| ENTER DESCRIPTION ELEC NO: 2010-0067 DRWNS01 CHKDGJLW APPR:KFRASAD 2010/01/27 2010/01/27 | QUALITY SYMBOLS ∇=0 ∇=0 ∇=0 | GENERAL TOLERANCES (UNLESS SPECIFIED) mm INCH | | DIMENSION STYLE IN/MM | | SCALE NTS | DESIGN UNITS INCH | THIRD ANGLE PROJECTION | | |
| | | 4 PLACES ± .005 ± .005 3 PLACES ± .013 ± .010 2 PLACES ± 0.25 ± .005 1 PLACE ± .025 ± .005 | | DRAWN BY DATE SSUDHIR 2004/06/08 | | TITLE HEADER HOUSING ASSEMBLY .084/(2.13)DIA.SERIES | | MOLEX INCORPORATED | | |
| | | DRAFT WHERE APPLICABLE MUST REMAIN WITHIN DIMENSIONS | | SEE CHART | | APPROVED BY DATE GJLLOWE 2004/06/08 | | DOCUMENT NO. SDA-42002-***** | | SHEET NO. 2 OF 2 |
| | | THIS DRAWING CONTAINS INFORMATION THAT IS PROPRIETARY TO MOLEX INCORPORATED AND SHOULD NOT BE USED WITHOUT WRITTEN PERMISSION | | | | | | | | |

Компания «Life Electronics» занимается поставками электронных компонентов импортного и отечественного производства от производителей и со складов крупных дистрибьюторов Европы, Америки и Азии.

С конца 2013 года компания активно расширяет линейку поставок компонентов по направлению коаксиальный кабель, кварцевые генераторы и конденсаторы (керамические, пленочные, электролитические), за счёт заключения дистрибьюторских договоров

Мы предлагаем:

- Конкурентоспособные цены и скидки постоянным клиентам.
- Специальные условия для постоянных клиентов.
- Подбор аналогов.
- Поставку компонентов в любых объемах, удовлетворяющих вашим потребностям.
- Приемлемые сроки поставки, возможна ускоренная поставка.
- Доставку товара в любую точку России и стран СНГ.
- Комплексную поставку.
- Работу по проектам и поставку образцов.
- Формирование склада под заказчика.
- Сертификаты соответствия на поставляемую продукцию (по желанию клиента).
- Тестирование поставляемой продукции.
- Поставку компонентов, требующих военную и космическую приемку.
- Входной контроль качества.
- Наличие сертификата ISO.

В составе нашей компании организован Конструкторский отдел, призванный помогать разработчикам, и инженерам.

Конструкторский отдел помогает осуществить:

- Регистрацию проекта у производителя компонентов.
- Техническую поддержку проекта.
- Защиту от снятия компонента с производства.
- Оценку стоимости проекта по компонентам.
- Изготовление тестовой платы монтаж и пусконаладочные работы.



Тел: +7 (812) 336 43 04 (многоканальный)

Email: org@lifeelectronics.ru