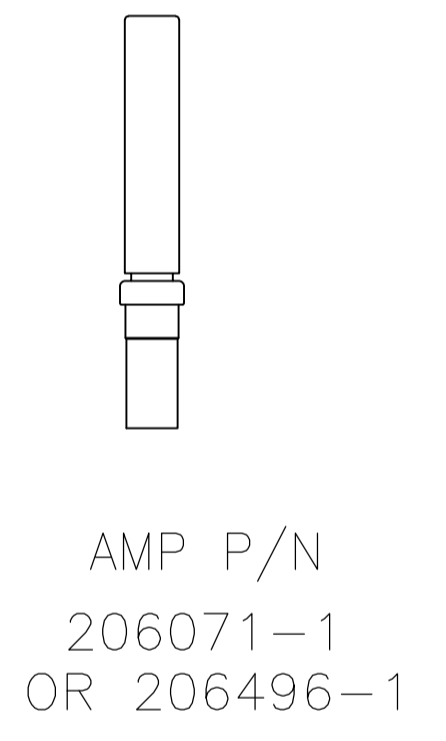
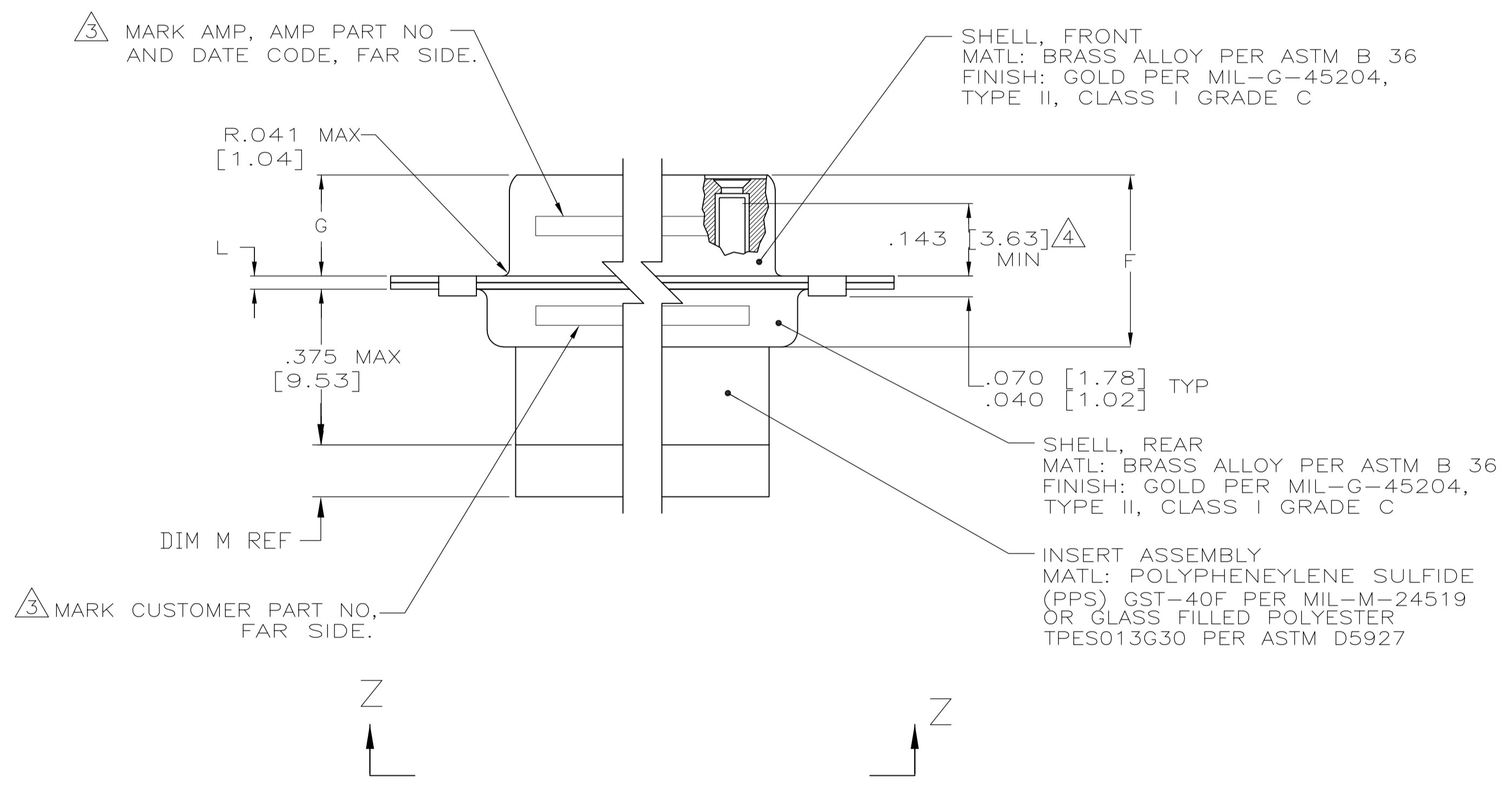
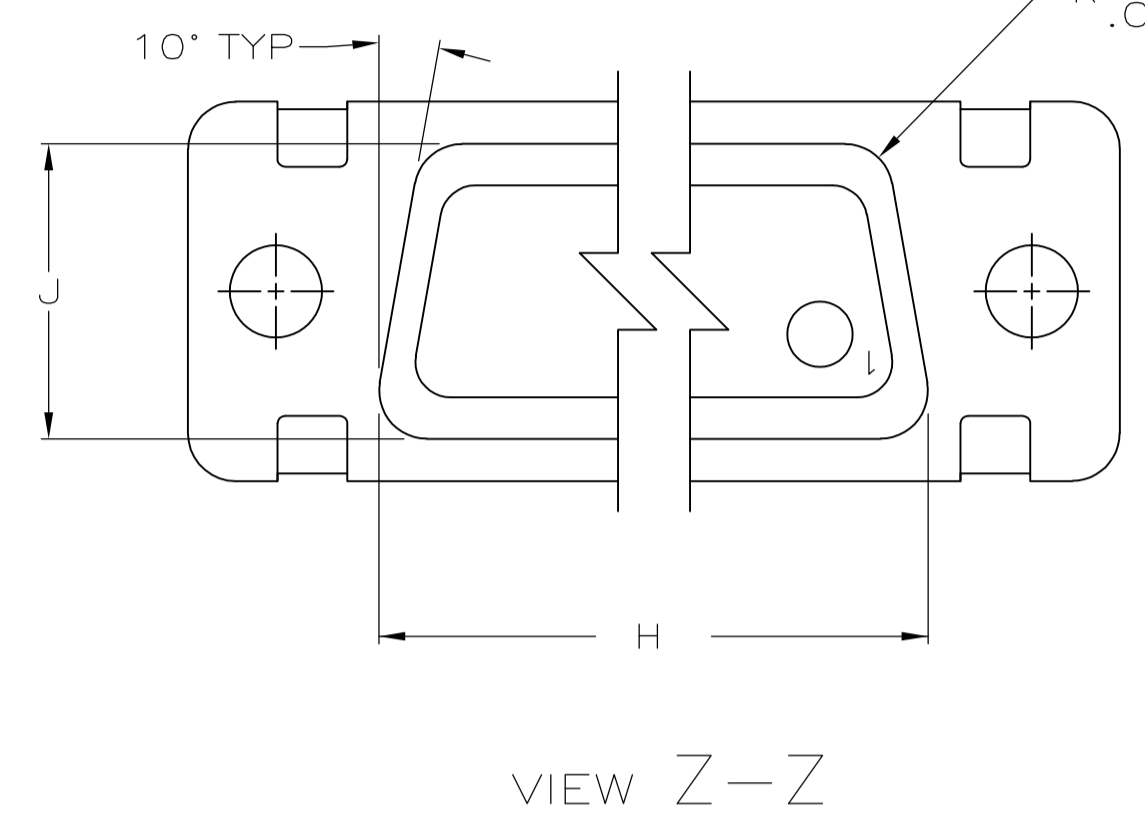
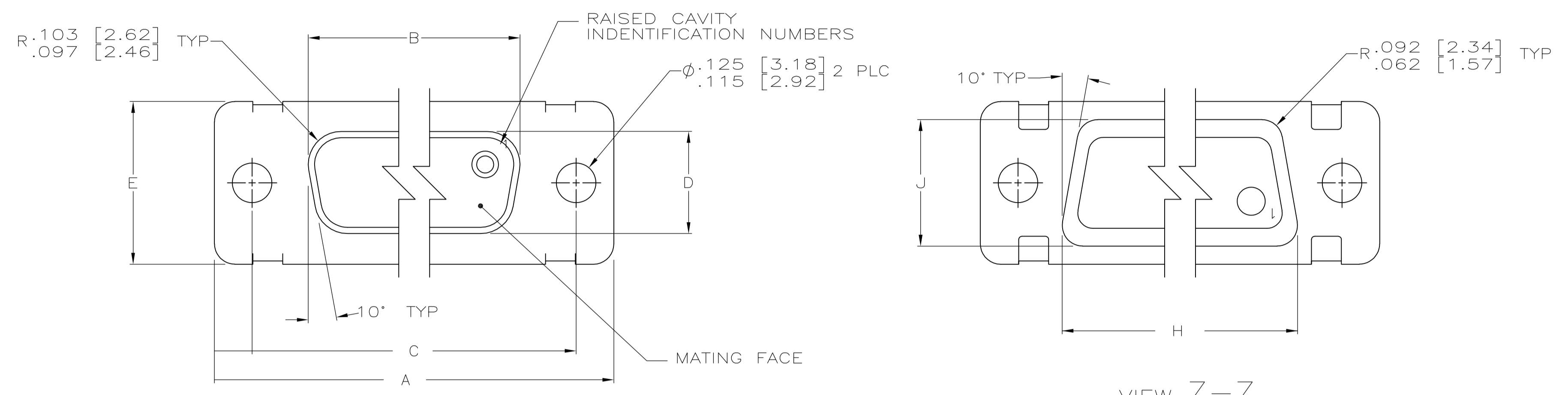


LOC		DIST		REVISIONS			
P	LTR	DESCRIPTION	DATE	DN	APVD		
H	REV PER ECO	10-025239	16DEC10	PY	RL		



1. THIS CONNECTOR ASSEMBLY IS SUPPLIED WITH METAL CONTACT RETENTION CLIPS INSTALLED IN THE INSERT ASSEMBLY.
2. THIS CONNECTOR ASSEMBLY MEETS THE REQUIREMENTS OF MIL-C-24308 AND MATES WITH ANY PLUG CONNECTOR WITH SAME INSERT ARRANGEMENT.
3. MARK WITH .047 [1.19]-.062 [1.57] HIGH CHARACTERS. FAR SIDE REFERS TO THE WIDE SIDE OF THE KEYSTONE. IF THE REAR SHELL IS TOO SMALL FOR THE ENTIRE CUSTOMER PART NUMBER, MARKING MAY BE LOCATED AS FOLLOWS:
 - A. CUSTOMER BASE NUMBER, FRONT SHELL, FAR SIDE.
 - B. CUSTOMER DASH NUMBER, REAR SHELL, FAR SIDE.
 - C. AMP PART NUMBER, REAR SHELL, NEAR SIDE.
 - D. "AMP" AND DATE CODE, FRONT SHELL, NEAR SIDE.
4. POINT OF ELECTRICAL ENGAGEMENT - AS MEASURED WITH A .0295 [0.75] - .0305 [.77] DIAMETER SQUARE ENDED TEST PIN. CONTACT SHOWN INSTALLED FOR DIMENSIONAL REFERENCE ONLY.
5. MAXIMUM WIRE INSULATION TO BE USED WITH THIS CONNECTOR ASSEMBLY IS .072 [1.83] DIAMETER.
6. FOR CONTACT CRIMPING INSTRUCTION SHEET REFER TO AMP IS 7516. FOR CONTACT INSTALLATION AND REMOVAL INSTRUCTION SHEET REFER TO AMP IS 7508.
7. DIMENSIONS AND TOLERANCES PER ANSI Y14.5M-1982.
8. THIS DRAWING SHALL BE INTERPRETED IN ACCORDANCE WITH APPLICABLE STANDARDS LISTED IN MIL-STD-100.

THIS DRAWING IS A CONTROLLED DOCUMENT.		DIN T. THOMPSON 05-18-94		Tyco Electronics Corporation Harrisburg, PA 17105-3608																											
DIMENSIONS: INCHES		TOLERANCES UNLESS OTHERWISE SPECIFIED:		NAME D. MANTIONE																											
<table border="1"> <tr><td>0 PLC</td><td>±</td><td>-</td></tr> <tr><td>1 PLC</td><td>±</td><td>-</td></tr> <tr><td>2 PLC</td><td>±</td><td>-</td></tr> <tr><td>3 PLC</td><td>±</td><td>-</td></tr> <tr><td>4 PLC</td><td>±</td><td>-</td></tr> <tr><td>ANGLES</td><td>±</td><td>±</td></tr> </table>		0 PLC	±	-	1 PLC	±	-	2 PLC	±	-	3 PLC	±	-	4 PLC	±	-	ANGLES	±	±	<table border="1"> <tr><td>PRODUCT SPEC</td><td>AMP</td></tr> <tr><td>APPLICATION SPEC</td><td>MIL-C-24308</td></tr> </table>		PRODUCT SPEC	AMP	APPLICATION SPEC	MIL-C-24308	<table border="1"> <tr><td>SIZE</td><td>A1</td></tr> <tr><td>SCALE</td><td>4:1</td></tr> </table>		SIZE	A1	SCALE	4:1
0 PLC	±	-																													
1 PLC	±	-																													
2 PLC	±	-																													
3 PLC	±	-																													
4 PLC	±	-																													
ANGLES	±	±																													
PRODUCT SPEC	AMP																														
APPLICATION SPEC	MIL-C-24308																														
SIZE	A1																														
SCALE	4:1																														
MATERIAL SEE CALLOUTS		FINISH SEE CALLOUTS		<table border="1"> <tr><td>WEIGHT</td><td>-</td></tr> <tr><td>DRAWING NO</td><td>00779</td></tr> <tr><td>REV</td><td>C=449862</td></tr> </table>		WEIGHT	-	DRAWING NO	00779	REV	C=449862																				
WEIGHT	-																														
DRAWING NO	00779																														
REV	C=449862																														
CUSTOMER DRAWING				SHEET 1 OF 2																											

8 7 6 5 4 3 2 1

THIS DRAWING IS UNPUBLISHED. RELEASED FOR PUBLICATION
 COPYRIGHT BY TYCO ELECTRONICS CORPORATION. ALL RIGHTS RESERVED.

REVISIONS			
LOC	DIST	REV	DATE
		P LTR	DESCRIPTION
			DATE
			DWN
			APVD
		SEE SHEET 1	

PRELIMINARY-NOT RELEASED FOR PRODUCTION	M REF	L	J	H	G	F	E	D	C	B	A	MS	NO OF POS	SHELL SIZE	INK STAMP CUSTOMER P/N	AMP P/N ON CONNECTOR	PART NUMBER
.125	.049 .029 [1.24 0.74]	.606 [15.39 14.88]	2.312 [58.72 58.22]	.248 [6.30 6.05]	.439 [11.15 10.64]	.683 [17.35 16.59]	.490 [12.45 12.19]	2.505 [63.63 63.37]	2.194 [55.73 55.74]	2.744 [69.70 68.94]	MS14004-1	104	6	B010772-0053	3-449862-6	3-449862-6	
.125	.049 [1.24 0.74]	.544 [13.82 13.31]	2.188 [55.58 55.07]	.248 [6.30 6.05]	.439 [11.15 10.64]	.620 [15.75 14.99]	.428 [10.87 10.62]	2.411 [61.24 60.99]	2.069 [52.55 52.30]	2.650 [67.31 66.55]	MS18277-1	78	5	B010772-0051	3-449862-5	3-449862-5	
.125	.049 [1.24 0.74]	.432 [10.97 10.46]	2.282 [57.96 57.45]	.248 [6.30 6.05]	.439 [11.15 10.64]	.509 [12.93 12.17]	.316 [8.03 7.77]	2.505 [63.63 63.37]	2.164 [54.97 54.71]	2.744 [69.70 68.94]	MS18276-1	62	4	B010772-0049	3-449862-4	3-449862-4	
.125	.049 [1.24 0.74]	.432 [10.97 10.46]	1.635 [41.53 41.02]	.248 [6.30 6.05]	.439 [11.15 10.64]	.509 [12.93 12.17]	.316 [8.03 7.77]	1.857 [47.17 46.91]	1.516 [38.51 38.25]	2.103 [53.42 52.65]	MS18275-1	44	3	B010772-0047	3-449862-3	3-449862-3	
.125	.040 [1.02 0.51]	.432 [10.97 10.46]	1.093 [27.76 27.25]	.248 [6.30 6.05]	.439 [11.15 10.64]	.509 [12.93 12.17]	.316 [8.03 7.77]	1.317 [33.45 33.20]	.976 [24.79 24.54]	1.556 [39.52 38.76]	MS18274-1	26	2	B010772-0045	3-449862-2	3-449862-2	
.125	.040 [1.02 0.51]	.432 [10.97 10.46]	.769 [19.53 19.02]	.248 [6.30 6.05]	.439 [11.15 10.64]	.509 [12.93 12.17]	.316 [8.03 7.77]	.989 [25.12 24.87]	.648 [16.46 16.21]	1.228 [31.19 30.43]	MS18273-1	15	1	B010772-0055	3-449862-1	3-449862-1	
.125	.049 [1.24 0.74]	.606 [15.39 14.88]	2.312 [58.72 58.22]	.248 [6.30 6.05]	.439 [11.15 10.64]	.683 [17.35 16.59]	.490 [12.45 12.19]	2.505 [63.63 63.37]	2.194 [55.73 55.74]	2.744 [69.70 68.94]	MS14004-1	104	6	B010772-0041	2-449862-6	2-449862-6	
.125	.049 [1.24 0.74]	.544 [13.82 13.31]	2.188 [55.58 55.07]	.248 [6.30 6.05]	.439 [11.15 10.64]	.620 [15.75 14.99]	.428 [10.87 10.62]	2.411 [61.24 60.99]	2.069 [52.55 52.30]	2.650 [67.31 66.55]	MS18277-1	78	5	B010772-0039	2-449862-5	2-449862-5	
.125	.049 [1.24 0.74]	.432 [10.97 10.46]	2.282 [57.96 57.45]	.248 [6.30 6.05]	.439 [11.15 10.64]	.509 [12.93 12.17]	.316 [8.03 7.77]	2.505 [63.63 63.37]	2.164 [54.97 54.71]	2.744 [69.70 68.94]	MS18276-1	62	4	B010772-0037	2-449862-4	2-449862-4	
--	.049 [1.24 0.74]	.432 [10.97 10.46]	1.635 [41.53 41.02]	.248 [6.30 6.05]	.439 [11.15 10.64]	.509 [12.93 12.17]	.316 [8.03 7.77]	1.857 [47.17 46.91]	1.516 [38.51 38.25]	2.103 [53.42 52.65]	MS18275-1	44	3	B010772-0035	2-449862-3	2-449862-3	
PRELIMINARY-NOT RELEASED FOR PRODUCTION	.125	.040 [1.02 0.51]	.432 [10.97 10.46]	1.093 [27.76 27.25]	.248 [6.30 6.05]	.439 [11.15 10.64]	.509 [12.93 12.17]	.316 [8.03 7.77]	1.317 [33.45 33.20]	.976 [24.79 24.54]	MS18274-1	26	2	B010772-0034	2-449862-2	2-449862-2	
PRELIMINARY-NOT RELEASED FOR PRODUCTION	.125	.040 [1.02 0.51]	.432 [10.97 10.46]	.769 [19.53 19.02]	.248 [6.30 6.05]	.439 [11.15 10.64]	.509 [12.93 12.17]	.316 [8.03 7.77]	.989 [25.12 24.87]	.648 [16.46 16.21]	MS18273-1	15	1	TBD	2-449862-1	2-449862-1	
.125	.049 [1.24 0.74]	.606 [15.39 14.88]	2.312 [58.72 58.22]	.248 [6.30 6.05]	.439 [11.15 10.64]	.683 [17.35 16.59]	.490 [12.45 12.19]	2.505 [63.63 63.37]	2.194 [55.73 55.74]	2.744 [69.70 68.94]	MS14004-1	104	6	A010772-0021	1-449862-2	1-449862-2	
.125	.049 [1.24 0.74]	.544 [13.82 13.31]	2.188 [55.58 55.07]	.248 [6.30 6.05]	.439 [11.15 10.64]	.620 [15.75 14.99]	.428 [10.87 10.62]	2.411 [61.24 60.99]	2.069 [52.55 52.30]	2.650 [67.31 66.55]	MS18277-1	78	5	A010772-0019	1-449862-1	1-449862-1	
.125	.049 [1.24 0.74]	.432 [10.97 10.46]	2.282 [57.96 57.45]	.248 [6.30 6.05]	.439 [11.15 10.64]	.509 [12.93 12.17]	.316 [8.03 7.77]	2.505 [63.63 63.37]	2.164 [54.97 54.71]	2.744 [69.70 68.94]	MS18276-1	62	4	A010772-0017	1-449862-0	1-449862-0	
.125	.049 [1.24 0.74]	.432 [10.97 10.46]	1.635 [41.53 41.02]	.248 [6.30 6.05]	.439 [11.15 10.64]	.509 [12.93 12.17]	.316 [8.03 7.77]	1.857 [47.17 46.91]	1.516 [38.51 38.25]	2.103 [53.42 52.65]	MS18275-1	44	3	A010772-0015	449862-9	449862-9	
.125	.040 [1.02 0.51]	.432 [10.97 10.46]	1.093 [27.76 27.25]	.248 [6.30 6.05]	.439 [11.15 10.64]	.509 [12.93 12.17]	.316 [8.03 7.77]	1.317 [33.45 33.20]	.976 [24.79 24.54]	1.556 [39.52 38.76]	MS18274-1	26	2	A010772-0013	449862-8	449862-8	
.125	.040 [1.02 0.51]	.432 [10.97 10.46]	.769 [19.53 19.02]	.248 [6.30 6.05]	.439 [11.15 10.64]	.509 [12.93 12.17]	.316 [8.03 7.77]	.989 [25.12 24.87]	.648 [16.46 16.21]	1.228 [31.19 30.43]	MS18273-1	15	1	A010772-0011	449862-7	449862-7	
.125	.049 [1.24 0.74]	.606 [15.39 14.88]	2.312 [58.72 58.22]	.248 [6.30 6.05]	.439 [11.15 10.64]	.683 [17.35 16.59]	.490 [12.45 12.19]	2.505 [63.63 63.37]	2.194 [55.73 55.74]	2.744 [69.70 68.94]	MS14004-1	104	6	B010772-0021	449862-6	449862-6	
.125	.049 [1.24 0.74]	.544 [13.82 13.31]	2.188 [55.58 55.07]	.248 [6.30 6.05]	.439 [11.15 10.64]	.620 [15.75 14.99]	.428 [10.87 10.62]	2.411 [61.24 60.99]	2.069 [52.55 52.30]	2.650 [67.31 66.55]	MS18277-1	78	5	B010772-0019	449862-5	449862-5	
.125	.049 [1.24 0.74]	.432 [10.97 10.46]	2.282 [57.96 57.45]	.248 [6.30 6.05]	.439 [11.15 10.64]	.509 [12.93 12.17]	.316 [8.03 7.77]	2.505 [63.63 63.37]	2.164 [54.97 54.71]	2.744 [69.70 68.94]	MS18276-1	62	4	B010772-0017	449862-4	449862-4	
.125	.049 [1.24 0.74]	.432 [10.97 10.46]	1.635 [41.53 41.02]	.248 [6.30 6.05]	.439 [11.15 10.64]	.509 [12.93 12.17]	.316 [8.03 7.77]	1.857 [47.17 46.91]	1.516 [38.51 38.25]	2.103 [53.42 52.65]	MS18275-1	44	3	B010772-0015	449862-3	449862-3	
.125	.040 [1.02 0.51]	.432 [10.97 10.46]	1.093 [27.76 27.25]	.248 [6.30 6.05]	.439 [11.15 10.64]	.509 [12.93 12.17]	.316 [8.03 7.77]	1.317 [33.45 33.20]	.976 [24.79 24.54]	1.556 [39.52 38.76]	MS18274-1	26	2	B010772-0013	449862-2	449862-2	
.125	.040 [1.02 0.51]	.432 [10.97 10.46]	.769 [19.53 19.02]	.248 [6.30 6.05]	.439 [11.15 10.64]	.509 [12.93 12.17]	.316 [8.03 7.77]	.989 [25.12 24.87]	.648 [16.46 16.21]	1.228 [31.19 30.43]	MS18273-1	15	1	B010772-0011	449862-1	449862-1	

THIS DRAWING IS A CONTROLLED DOCUMENT.

DIMENSIONS: INCHES

TOLERANCES UNLESS OTHERWISE SPECIFIED:

0 PLC ± .015
1 PLC ± .010
2 PLC ± .008
3 PLC ± .005
4 PLC ± .003
ANGLES ± .5°

MATERIAL: SEE CALLOUTS

FINISH: SEE CALLOUTS

WEIGHT: .000779 LBS

CUSTOMER DRAWING

SCALE: 4:1

SHEET 2 OF 2

REV H

APPROVED: T. THOMPSON

CHK: D. MANTIONE

DATE: 06-23-94

TYCO ELECTRONICS CORPORATION
 HARRISBURG, PA 17105-3608

PRODUCT SPEC: AMPLIMITE NONMAGNETIC RECEPTACLE ASSY WITH SIZE 22 CRIMP TYPE SOCKET CONTACTS SERIES 90, W/REAR GROMMET.

APPLICATION SPEC: MIL-C-24308

Компания «Life Electronics» занимается поставками электронных компонентов импортного и отечественного производства от производителей и со складов крупных дистрибьюторов Европы, Америки и Азии.

С конца 2013 года компания активно расширяет линейку поставок компонентов по направлению коаксиальный кабель, кварцевые генераторы и конденсаторы (керамические, пленочные, электролитические), за счёт заключения дистрибьюторских договоров

Мы предлагаем:

- Конкуренспособные цены и скидки постоянным клиентам.
- Специальные условия для постоянных клиентов.
- Подбор аналогов.
- Поставку компонентов в любых объемах, удовлетворяющих вашим потребностям.
- Приемлемые сроки поставки, возможна ускоренная поставка.
- Доставку товара в любую точку России и стран СНГ.
- Комплексную поставку.
- Работу по проектам и поставку образцов.
- Формирование склада под заказчика.
- Сертификаты соответствия на поставляемую продукцию (по желанию клиента).
- Тестирование поставляемой продукции.
- Поставку компонентов, требующих военную и космическую приемку.
- Входной контроль качества.
- Наличие сертификата ISO.

В составе нашей компании организован Конструкторский отдел, призванный помогать разработчикам, и инженерам.

Конструкторский отдел помогает осуществить:

- Регистрацию проекта у производителя компонентов.
- Техническую поддержку проекта.
- Защиту от снятия компонента с производства.
- Оценку стоимости проекта по компонентам.
- Изготовление тестовой платы монтаж и пусконаладочные работы.



Тел: +7 (812) 336 43 04 (многоканальный)

Email: org@lifeelectronics.ru