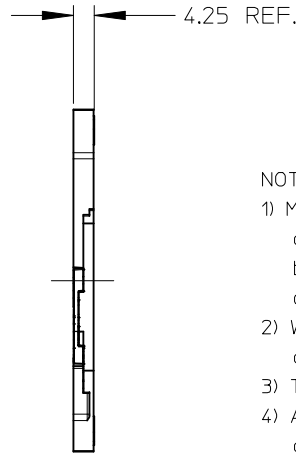
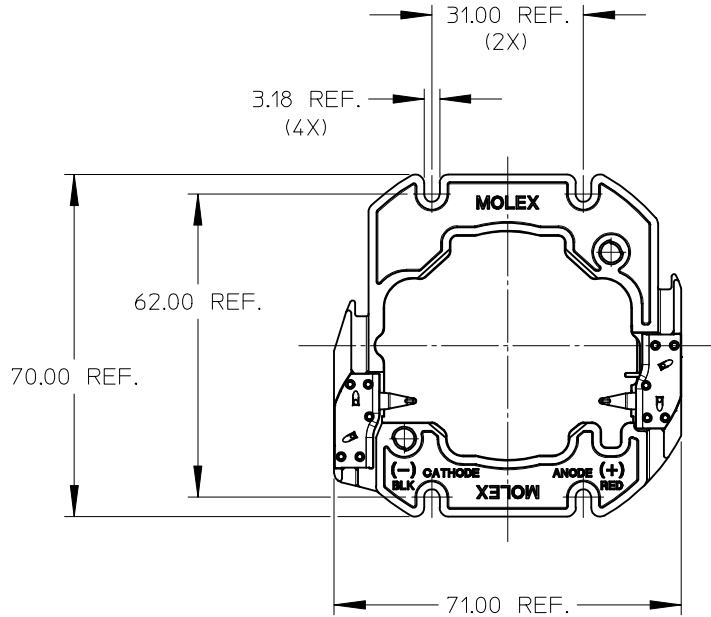
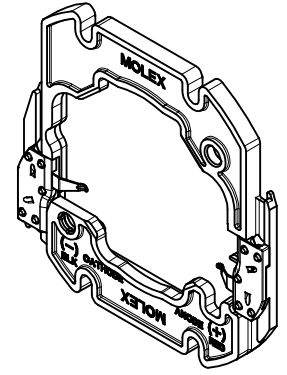
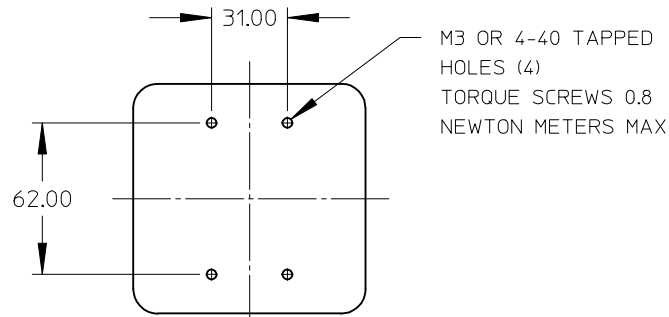


10	9	8	7	6	5	4	3	2	1
PART NUMBER	DESCRIPTION	SEE SHEET	STATUS						
180180-0000	HOLDER WITHOUT LENS	3	TOOLED						
180180-0001	HOLDER WITH LENS	3	NOT TOOLED						
180182-0000	COVER LENS ONLY	3	NOT TOOLED						
N/A	REFLECTOR OPTION (LEDIL)	4	AVAILABLE THRU LEDIL						



NOTES:

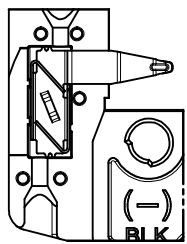
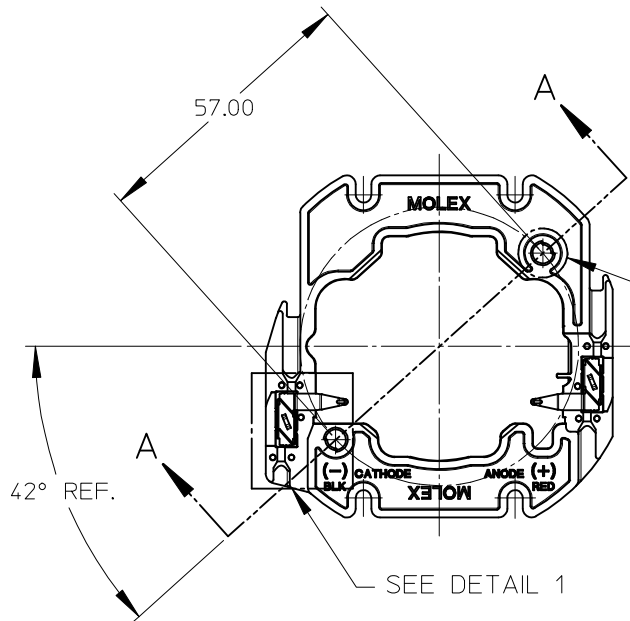
- 1) MATERIALS:
 - a. CAPS: NATURAL COLOR PA66 NYLON 25% GF UL94V-0
 - b. HOUSING: NATURAL COLOR PA66 NYLON 25% GF UL94V-0
 - c. COVER LENS: CLEAR POLYCARBONATE UL 94HB
- 2) WIRE TRAP TERMINALS: COPPER ALLOY
 - a. FINISH: SILVER OVER NICKEL
- 3) THIS PRODUCT IS ELV AND ROHS COMPLIANT
- 4) APPLICABLE WIRE GAUGE - 18 OR 20 AWG
 - a. SOLID WIRE IS RECOMMENDED
 - b. IF STRANDED WIRE IS USED, PRE-TINNED IS RECOMMENDED
 - c. 1 cm STRIP LENGTH IS RECOMMENDED
- 5) MOUNT HOLDER USING M3 OR 4-40 SCREWS (4), 0.8 NEWTON METERS MAX TORQUE
- 6) CONTACT AREA OF TERMINAL HAS AN ENVIRONMENTAL BARRIER/LUBRICANT FOR CORROSION RESISTANCE
- 7) UL:0LFB2 UL496 FILE: E345583.



RECOMMENDED MOUNTING DIMENSIONS (NTS)

ENTER DESCRIPTION EC NO: SSL2016-0054 DRWNL:ZAB,JANOVSKI 2016/03/29 CHKD: APPR:GMEYER 2016/04/11 REV	QUALITY SYMBOLS	GENERAL TOLERANCES (UNLESS SPECIFIED)	DIMENSION STYLE	SCALE	DESIGN UNITS	THIRD ANGLE PROJECTION
	▽F/0	mm INCH	MM ONLY	1:1	METRIC	⊙ □
	▽E/0	4 PLACES ± --- ± ---	DRAWN BY DATE	TITLE BRIDGELUX RS LED HOLDER		
	▽E/0	3 PLACES ± --- ± ---	CCARRANZA 2010/10/26			
▽E/0	2 PLACES ± 0.13 ± ---	CHECKED BY DATE	MATERIAL NO. DOCUMENT NO. SHEET NO.			
▽E/0	1 PLACE ± 0.25 ± ---	CCARRANZA 2012/11/06				
	ANGULAR ± 1/2°	APPROVED BY DATE	MATERIAL NO. DOCUMENT NO. SHEET NO.			
		DMCGOWAN 2010/12/23				
		DRAFT WHERE APPLICABLE MUST REMAIN WITHIN DIMENSIONS	SEE CHART			
			THIS DRAWING CONTAINS INFORMATION THAT IS PROPRIETARY TO MOLEX INCORPORATED AND SHOULD NOT BE USED WITHOUT WRITTEN PERMISSION			

WIRE TRAP CAPS ARE REMOVED FROM FRONT VIEW FOR CLARITY

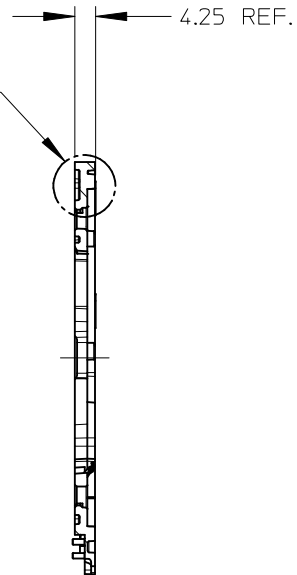


VIEW OF TWO-WAY WIRE TRAP

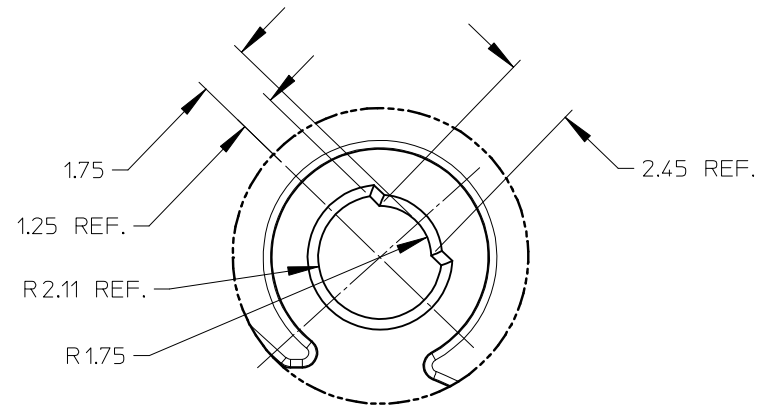
WIRE TRAPS WILL ACCOMODATE
EITHER 18 OR 20 GAUGE WIRE

DETAIL 1 SCALE 2:1

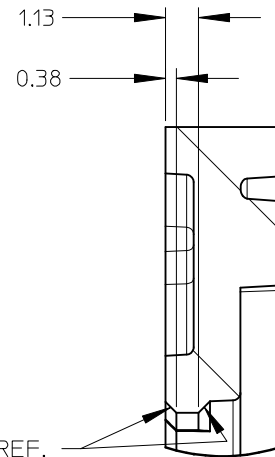
SEE DETAIL 3
SEE DETAIL 2



SECTION A-A
SCALE 1:1



DETAIL 2 SCALE 6:1

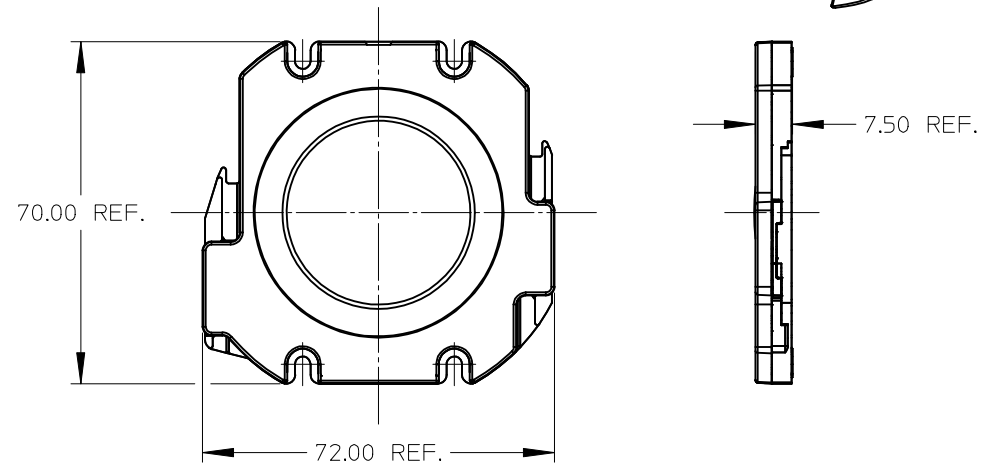
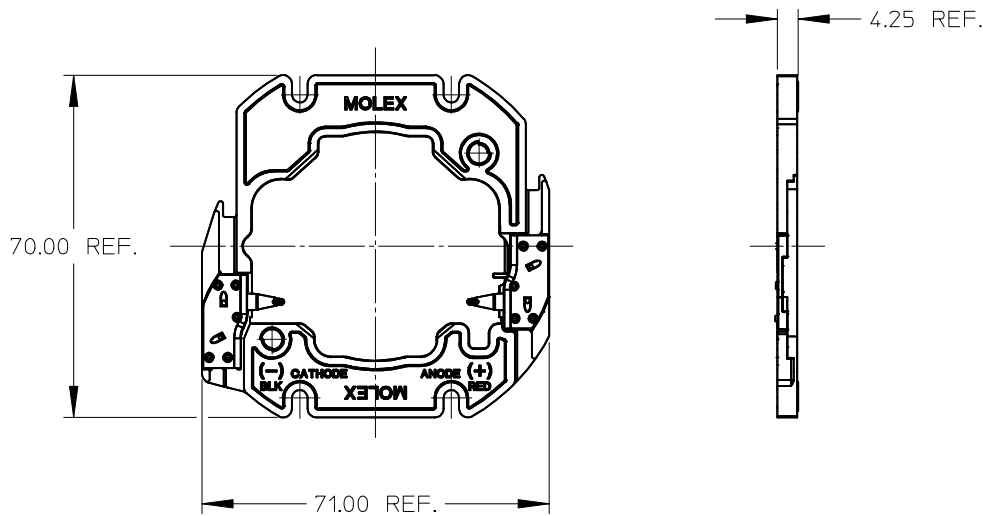
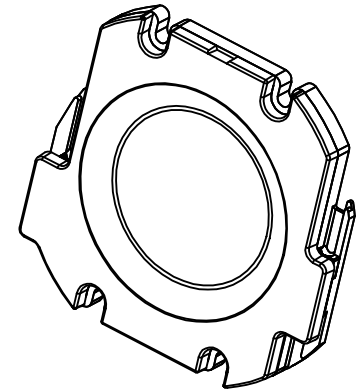
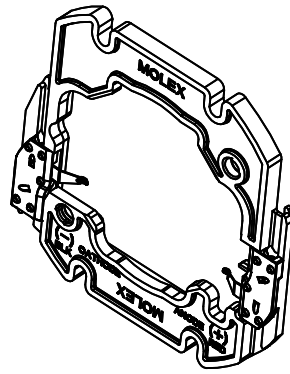


45° CHAMFER REF.

DETAIL 3 SCALE 6:1

ENTER DESCRIPTION EC NO: SSL2016-0054 DRWNL:ZAB.JANOVSKI 2016/03/29 CHKD: APPR:GMEYER 2016/04/11 REV	QUALITY SYMBOLS $\nabla/0$ $\nabla/0$ $\nabla/0$	GENERAL TOLERANCES (UNLESS SPECIFIED) mm INCH 4 PLACES ± --- ± --- 3 PLACES ± --- ± --- 2 PLACES ± 0.13 ± --- 1 PLACE ± 0.25 ± --- ANGULAR ± 1/2°	DIMENSION STYLE MM ONLY DRAWN BY DATE CCARRANZA 2010/10/26 CHECKED BY DATE CCARRANZA 2012/11/06 APPROVED BY DATE DMCGOWAN 2010/12/23 MATERIAL NO.	SCALE 2:1 TITLE BRIDGELUX RS LED HOLDER	DESIGN UNITS METRIC	THIRD ANGLE PROJECTION
	DRAFT WHERE APPLICABLE MUST REMAIN WITHIN DIMENSIONS		SEE CHART	Molex MOLEX INCORPORATED	DOCUMENT NO. SD-180180-000	SHEET NO. 2 OF 4
	THIS DRAWING CONTAINS INFORMATION THAT IS PROPRIETARY TO MOLEX INCORPORATED AND SHOULD NOT BE USED WITHOUT WRITTEN PERMISSION					
	Molex logo and company name					

10 9 8 7 6 5 4 3 2 1



LED HOLDER PART NUMBER 180180-0000

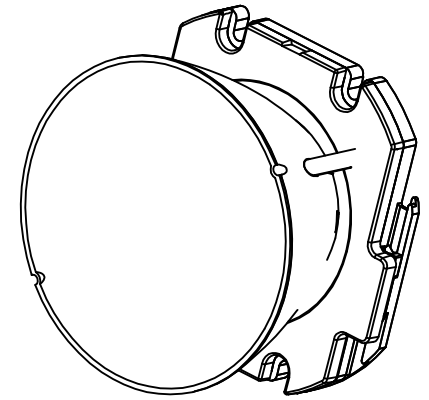
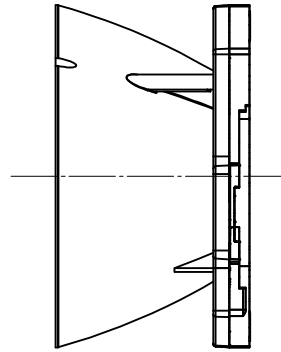
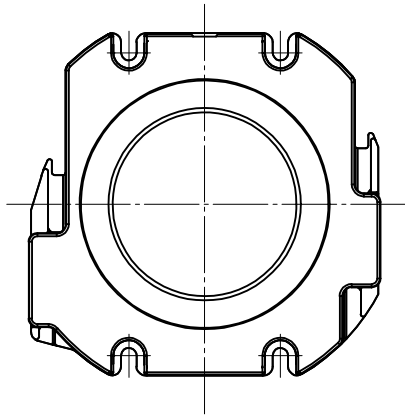
LED HOLDER SHOWN WITH OPTIONAL CLEAR COVER LENS
 MOLEX INDIVIDUAL COVER LENS PART NUMBER 180182-0000
 HOLDER AND LENS ASSEMBLY PART NUMBER 180180-0001

ENTER DESCRIPTION EC NO: SSL2016-0054 DRWNL:ZAB.JANOVSKI 2016/03/29 CHKD: APPR:GMEYER 2016/04/11 REV	QUALITY SYMBOLS	GENERAL TOLERANCES (UNLESS SPECIFIED)		DIMENSION STYLE MM ONLY		SCALE 1:1	DESIGN UNITS METRIC	THIRD ANGLE PROJECTION	
	▽=0	mm	INCH	DRAWN BY	DATE	TITLE BRIDGELUX RS LED HOLDER			
	▽=0	4 PLACES ± ---	± ---	CCARRANZA	2010/10/26				
	▽=0	3 PLACES ± ---	± ---	CHECKED BY	DATE	MATERIAL NO. DOCUMENT NO. SHEET NO.			
▽=0	2 PLACES ± 0.13	± ---	CCARRANZA	2012/11/06					
		1 PLACE ± 0.25	± ---	APPROVED BY	DATE	MOLEX INCORPORATED SD-180180-000 3 OF 4			
		ANGULAR ±1/2°		DMCGOWAN	2010/12/23				
DRAFT WHERE APPLICABLE MUST REMAIN WITHIN DIMENSIONS		SEE CHART		THIS DRAWING CONTAINS INFORMATION THAT IS PROPRIETARY TO MOLEX INCORPORATED AND SHOULD NOT BE USED WITHOUT WRITTEN PERMISSION					

9 8 7 6 5 4 3 2 1

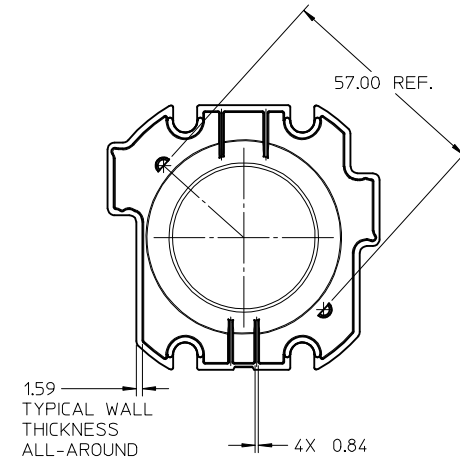
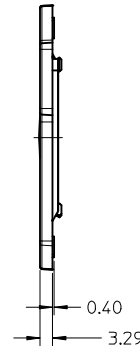
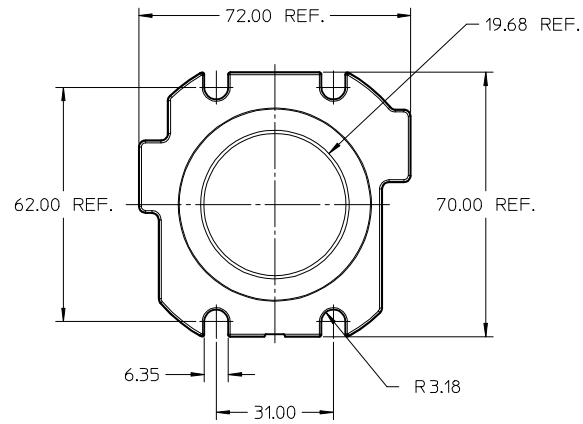
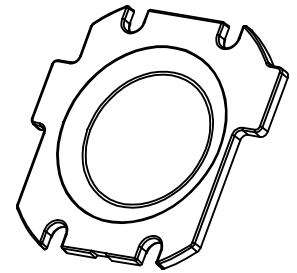
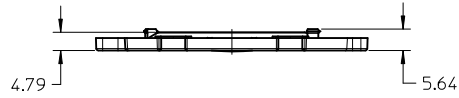
10 9 8 7 6 5 4 3 2 1

SHOWN WITH OPTIONAL REFLECTOR
 SOLD SEPARATELY BY LEDIL @ www.ledil.com



ENTER DESCRIPTION EC NO: SSL2016-0054 DRWNL:ZABJANOVSKI 2016/03/29 CHKD: APPR:GMEYER 2016/04/11 REV	QUALITY SYMBOLS	GENERAL TOLERANCES (UNLESS SPECIFIED)		DIMENSION STYLE MM ONLY		SCALE 1:1	DESIGN UNITS METRIC	THIRD ANGLE PROJECTION	
	▽=0	mm	INCH	DRAWN BY	DATE	TITLE BRIDGELUX RS LED HOLDER			
	▽=0	4 PLACES ±---	±---	CCARRANZA	2010/10/26				
	▽=0	3 PLACES ±---	±---	CHECKED BY	DATE	MATERIAL NO. SEE CHART			
▽=0	2 PLACES ±0.13	±---	CCARRANZA	2012/11/06					
		1 PLACE ±0.25	±---	APPROVED BY	DATE	DOCUMENT NO. SD-180180-000			
		ANGULAR ±1/2°		DMCGOWAN	2010/12/23				
C2		DRAFT WHERE APPLICABLE MUST REMAIN WITHIN DIMENSIONS		SIZE B		THIS DRAWING CONTAINS INFORMATION THAT IS PROPRIETARY TO MOLEX INCORPORATED AND SHOULD NOT BE USED WITHOUT WRITTEN PERMISSION			

9 8 7 6 5 4 3 2 1



- NOTES:
 1. MATERIAL: CLEAR POLYCARBONATE UL94HB.
 2. THIS PRODUCT IS ELV AND ROHS COMPLIANT.

INITIAL RELEASE EC NO: SSL2013-0009 DRAWN: MDEVITO 2012/07/24 CHKD: CCARRANZA 2012/07/24 APPR: DMCGOWAN 2012/07/25	QUALITY SYMBOLS ▽=0 ▽=0 ▽=0	GENERAL TOLERANCES (UNLESS SPECIFIED)		DIMENSION STYLE MM ONLY	SCALE 1:1	DESIGN UNITS METRIC	THIRD ANGLE PROJECTION
		mm	INCH	DRAWN BY MDEVITO	DATE 2012/07/24	TITLE BRIDGELUX RS LED HOLDER LENS (SALES)	
1	DESCRIPTION	4 PLACES	± ---	± ---	CHECKED BY CCARRANZA	DATE 2012/07/24	molex
		3 PLACES	± ---	± ---	APPROVED BY DMCGOWAN	DATE 2012/07/25	
		2 PLACES	± 0.13	± ---			
		1 PLACE	± 0.25	± ---			
		0 PLACE	± ---	± ---			
		ANGULAR ±1/2°		MATERIAL NO. 1801820000	DOCUMENT NO. SD-180182-0000	SHEET NO. 1 OF 1	
		DRAFT WHERE APPLICABLE MUST REMAIN WITHIN DIMENSIONS		THIS DRAWING CONTAINS INFORMATION THAT IS PROPRIETARY TO MOLEX INCORPORATED AND SHOULD NOT BE USED WITHOUT WRITTEN PERMISSION			

Компания «Life Electronics» занимается поставками электронных компонентов импортного и отечественного производства от производителей и со складов крупных дистрибьюторов Европы, Америки и Азии.

С конца 2013 года компания активно расширяет линейку поставок компонентов по направлению коаксиальный кабель, кварцевые генераторы и конденсаторы (керамические, пленочные, электролитические), за счёт заключения дистрибьюторских договоров

Мы предлагаем:

- Конкурентоспособные цены и скидки постоянным клиентам.
- Специальные условия для постоянных клиентов.
- Подбор аналогов.
- Поставку компонентов в любых объемах, удовлетворяющих вашим потребностям.
- Приемлемые сроки поставки, возможна ускоренная поставка.
- Доставку товара в любую точку России и стран СНГ.
- Комплексную поставку.
- Работу по проектам и поставку образцов.
- Формирование склада под заказчика.
- Сертификаты соответствия на поставляемую продукцию (по желанию клиента).
- Тестирование поставляемой продукции.
- Поставку компонентов, требующих военную и космическую приемку.
- Входной контроль качества.
- Наличие сертификата ISO.

В составе нашей компании организован Конструкторский отдел, призванный помогать разработчикам, и инженерам.

Конструкторский отдел помогает осуществить:

- Регистрацию проекта у производителя компонентов.
- Техническую поддержку проекта.
- Защиту от снятия компонента с производства.
- Оценку стоимости проекта по компонентам.
- Изготовление тестовой платы монтаж и пусконаладочные работы.



Тел: +7 (812) 336 43 04 (многоканальный)

Email: org@lifeelectronics.ru