

SMD Multilayer Chip Varistor

AMCV-2220H

RoHS
Compliant



5.7 x 5.0 x 2.5mm

FEATURES:

- SMD type, small size suitable for high density mounting
- Excellent clamping ratio and strong capability of voltage surge suppression
- Excellent solderability (Ni, Sn plating)

APPLICATIONS:

- Transient voltage protection and voltage surge suppression for LED lighting
- Suitable for LCD-TV, STB, Switch, Router, PLC, Security System, smart meters, mobile phones
- Suppressing Induced / switching over-voltage caused by lightning and power
- Protecting DC-DC Module, I/O ports, IC driver

STANDARD SPECIFICATIONS:

Operating Temperature: -55°C ~ +85°C

Storage Temperature: -10°C ~ +40°C and RH 70% (Max.)

| Part Number | Max. Working Voltage | | Varistor Voltage | Max. Clamping Voltage | | Rated Single Pulse Transient | | Typical Capacitance |
|----------------|----------------------|------------------|---------------------|-----------------------|----------------|------------------------------|---------------------|---------------------------|
| | DC | AC RMS | | 8/20μs | ESD | Energy 10/1000μs | Peak Current 8/20μs | |
| Test Condition | <20μA | | @1mA DC | 8/20μs | ESD | Energy 10/1000μs | Peak Current 8/20μs | @1V _{rms} , 1kHz |
| Units | Volts | Volts | | | | | | |
| Symbol | V _{WDC} | V _{WAC} | V _B | V _C | I _C | E _T | I _P | C _P |
| AMCV-2220H-5R5 | 5.5 | 4 | 12.0 [10.0-14.0] | 18 | 10.0 | 2.3 | 1200 | 8000 |
| AMCV-2220H-090 | 9 | 6.4 | 14.0 [12.0-16.0] | 20 | 10.0 | 2.7 | 1200 | 7000 |
| AMCV-2220H-120 | 12 | 8.5 | 16.0 [13.0-19.0] | 25 | 10.0 | 3.2 | 1200 | 6400 |
| AMCV-2220H-140 | 14 | 10.0 | 19.0 [16.0-22.0] | 30 | 10.0 | 5.4 | 1200 | 6000 |
| AMCV-2220H-180 | 18 | 12.7 | 25.0 [22.0-28.0] | 40 | 10.0 | 5.8 | 1200 | 5000 |
| AMCV-2220H-220 | 22 | 15.6 | 30.0 [26.0-34.0] | 45 | 10.0 | 6.5 | 1200 | 4500 |
| AMCV-2220H-260 | 26 | 18.4 | 35.0 [31.0-38.0] | 58 | 10.0 | 7.8 | 1200 | 4000 |
| AMCV-2220H-300 | 30 | 21.3 | 42.0 [37.0-46.0] | 65 | 10.0 | 9.6 | 1200 | 3000 |
| AMCV-2220H-380 | 38 | 30.0 | 50.0 [46.0-54.0] | 75 | 10.0 | 12.0 | 1200 | 2200 |
| AMCV-2220H-480 | 48 | 34.1 | 60.0 [54.0-67.0] | 100 | 10.0 | 10.0 | 900 | 1500 |
| AMCV-2220H-560 | 56 | 40.0 | 68.0 [61.0-75.0] | 120 | 10.0 | 10.0 | 900 | 1300 |
| AMCV-2220H-600 | 60 | 46.0 | 76.0 [69.0-83.0] | 130 | 10.0 | 9.0 | 900 | 1100 |
| AMCV-2220H-650 | 65 | 50.0 | 82.0 [73.0-91.0] | 140 | 10.0 | 9.0 | 900 | 900 |
| AMCV-2220H-750 | 75 | 55.0 | 94.0 [85.0-103.0] | 160 | 10.0 | 8.5 | 900 | 800 |
| AMCV-2220H-850 | 85 | 60.0 | 100.0 [90.0-110.0] | 170 | 10.0 | 8.5 | 900 | 700 |
| AMCV-2220H-101 | 100 | 75.0 | 120.0 [108.0-132.0] | 200 | 10.0 | 8.5 | 900 | 400 |

Unless otherwise specified, the standard atmospheric conditions for measurement/test as:

- Ambient Temperature: 20±15°C
- Relative Humidity: 65±20%
- Air Pressure: 86 kPa to 106 kPa

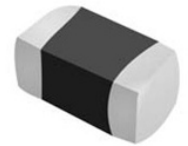
| Items | Test Methods and Remarks |
|--|---|
| Varistor Voltage at 1mA DC (V _B) | Measuring current: 1mA DC Duration: 0.2 to 2 sec |
| Capacitance (C) | Measure source: 1.0 V _{RMS} Test frequency: 1kHz. |
| Clamping Voltage (V _C) | Measuring source: 8/20us waveform |

ABRACON IS
ISO 9001:2008
CERTIFIED



Visit www.abracon.com for Terms & Conditions of Sale **Revised: 11.26.12**
30332 Esperanza, Rancho Santa Margarita, California 92688
tel 949-546-8000 | fax 949-546-8001 | www.abracon.com

SMD Multilayer Chip Varistor



5.7 x 5.0 x 2.5mm

AMCV-2220H

RoHS
Compliant

OPTIONS AND PART IDENTIFICATION:

AMCV-2220H--

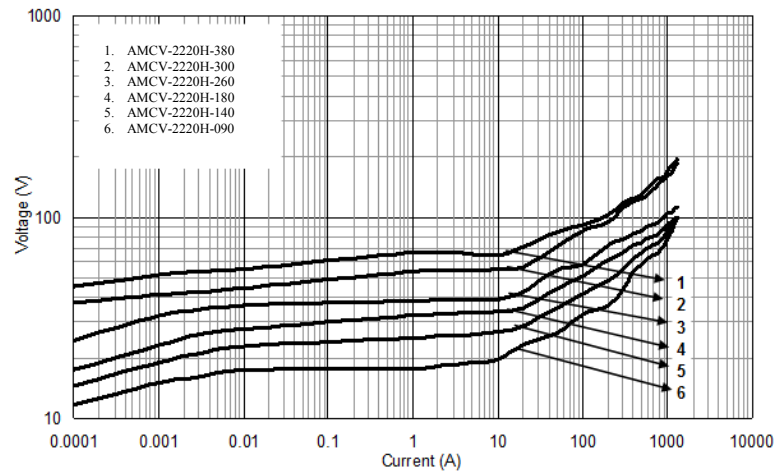
Voltage Code

Please refer to the table above

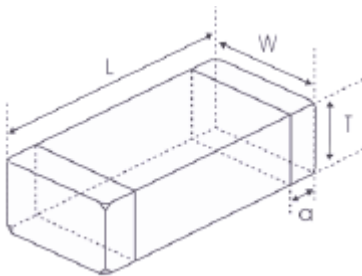
Packaging

T: Tape and Reel
(2kpcs / reel)

V/I CHARACTERISTICS

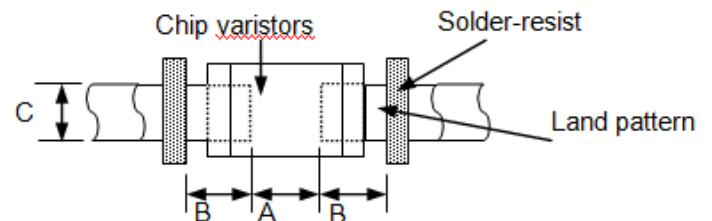


OUTLINE DIMENSION:



| L | W | T | a |
|---------|---------|---------|----------|
| 5.7±0.4 | 5.0±0.4 | 2.5Max. | 0.25~1.0 |

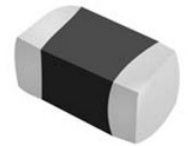
Recommended Land Pattern



| A | B | C |
|---------|---------|---------|
| 4.0~4.2 | 1.8~2.0 | 5.2~5.5 |

Dimension: mm

SMD Multilayer Chip Varistor

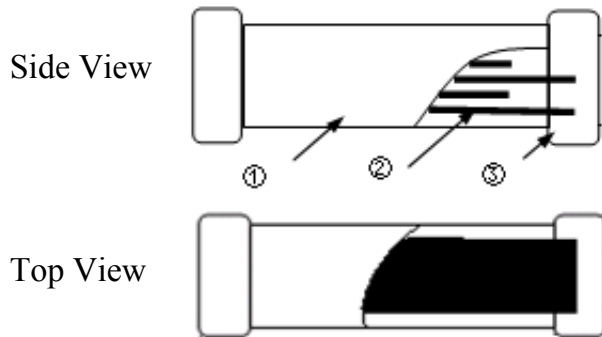


5.7 x 5.0 x 2.5mm

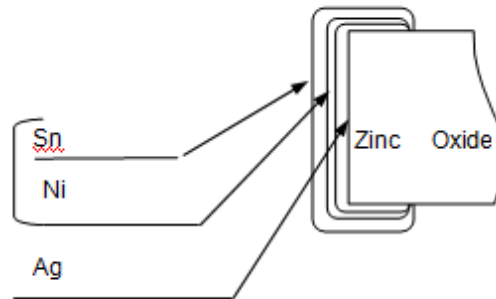
AMCV-2220H

RoHS
Compliant

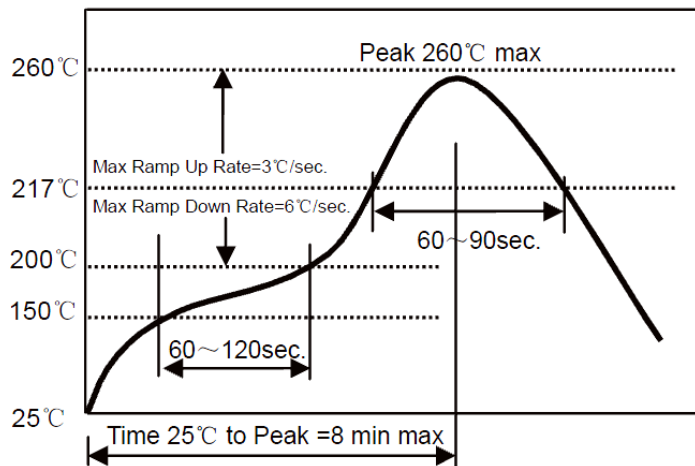
Materials



| | Part Name | Material |
|---|--------------------|---|
| 1 | Base Material | ZnO |
| 2 | Internal Conductor | Ag-Pd |
| 3 | Terminal Electrode | Ag (Inner layer) Ni-Sn (Outer layer) |



REFLOW PROFILE:



| | |
|-----------------------------|-------------------------------|
| Preheat Condition | 150 to 200 °C; 60 to 120 sec. |
| Allowed time above 217 °C | 60 to 90 sec. |
| Max temperature | 260 °C |
| Max time at max temperature | 10 sec. |
| Solder paste | Sn/3.0Ag/0.5Cu |
| Allowed Reflow time | 2x max. |

SMD Multilayer Chip Varistor

AMCV-2220H

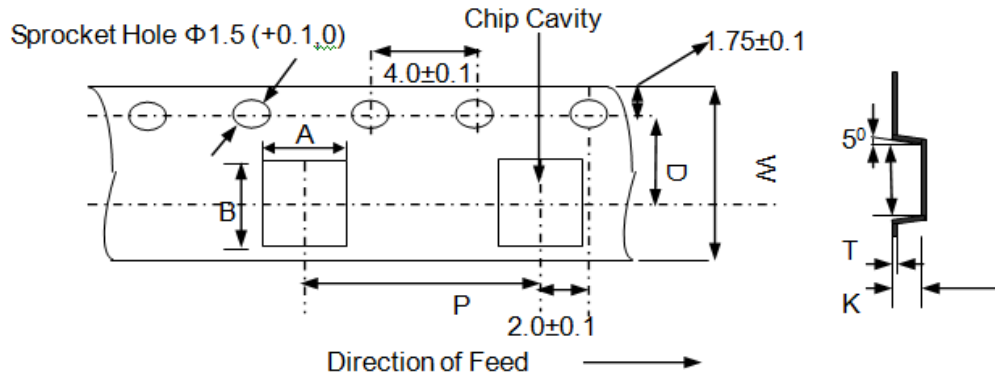
RoHS
Compliant



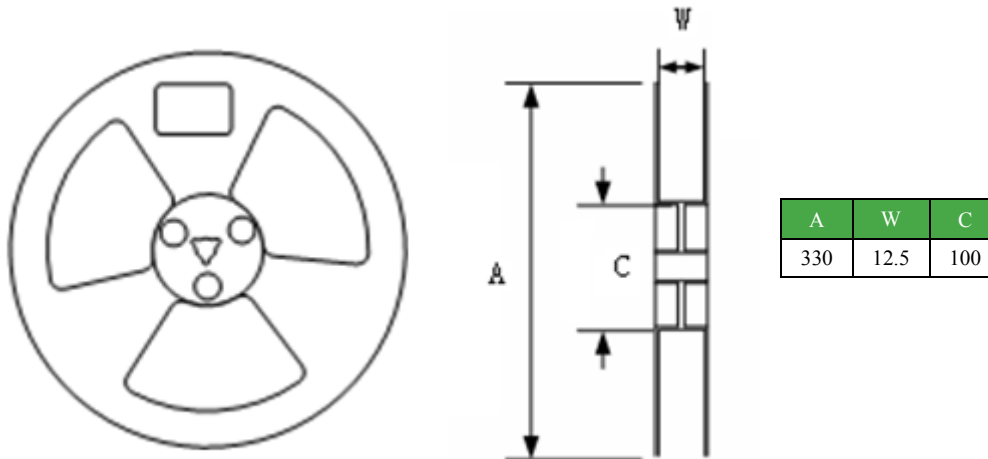
5.7 x 5.0 x 2.5mm

TAPE & REEL:

T: 2,000pcs / reel



| W | A | B | D | P | K max | T max |
|------|------|------|------|-----|-------|-------|
| 12.0 | 5.10 | 6.00 | 5.50 | 8.0 | 2.7 | 0.33 |



| A | W | C |
|-----|------|-----|
| 330 | 12.5 | 100 |

Storage Conditions

- The solderability of the external electrode may be deteriorated if packages are stored where they are exposed to high humidity. Package must be stored at 40°C or less and 70% RH or less.
- The solderability of the external electrode may be deteriorated if packages are stored where they are exposed to dust or harmful gas (e.g. HCl, sulfurous gas of H₂S).
- Packaging material may be deformed if packages are stored where they are exposed to heat of direct sunlight.
- Solderability shall be guaranteed for 6 months from the date of delivery on condition that they are stored at the environment specified in 1.3. The parts that are stored more than 6 months shall be checked solderability before use.

Dimension: mm

ATTENTION: Abracon Corporation's products are COTS – Commercial-Off-The-Shelf products; suitable for Commercial, Industrial and, where designated, Automotive Applications. Abracon's products are not specifically designed for Military, Aviation, Aerospace, Life-dependant Medical applications or any application requiring high reliability where component failure could result in loss of life and/or property. For applications requiring high reliability and/or presenting an extreme operating environment, written consent and authorization from Abracon Corporation is required. Please contact Abracon Corporation for more information.

ABRACON IS
ISO 9001:2008
CERTIFIED



Visit www.abracon.com for Terms & Conditions of Sale **Revised: 11.26.12**
30332 Esperanza, Rancho Santa Margarita, California 92688
tel 949-546-8000 | fax 949-546-8001 | www.abracon.com

Компания «Life Electronics» занимается поставками электронных компонентов импортного и отечественного производства от производителей и со складов крупных дистрибьюторов Европы, Америки и Азии.

С конца 2013 года компания активно расширяет линейку поставок компонентов по направлению коаксиальный кабель, кварцевые генераторы и конденсаторы (керамические, пленочные, электролитические), за счёт заключения дистрибьюторских договоров

Мы предлагаем:

- Конкурентоспособные цены и скидки постоянным клиентам.
- Специальные условия для постоянных клиентов.
- Подбор аналогов.
- Поставку компонентов в любых объемах, удовлетворяющих вашим потребностям.
- Приемлемые сроки поставки, возможна ускоренная поставка.
- Доставку товара в любую точку России и стран СНГ.
- Комплексную поставку.
- Работу по проектам и поставку образцов.
- Формирование склада под заказчика.
- Сертификаты соответствия на поставляемую продукцию (по желанию клиента).
- Тестирование поставляемой продукции.
- Поставку компонентов, требующих военную и космическую приемку.
- Входной контроль качества.
- Наличие сертификата ISO.

В составе нашей компании организован Конструкторский отдел, призванный помогать разработчикам, и инженерам.

Конструкторский отдел помогает осуществить:

- Регистрацию проекта у производителя компонентов.
- Техническую поддержку проекта.
- Защиту от снятия компонента с производства.
- Оценку стоимости проекта по компонентам.
- Изготовление тестовой платы монтаж и пусконаладочные работы.



Тел: +7 (812) 336 43 04 (многоканальный)

Email: org@lifeelectronics.ru