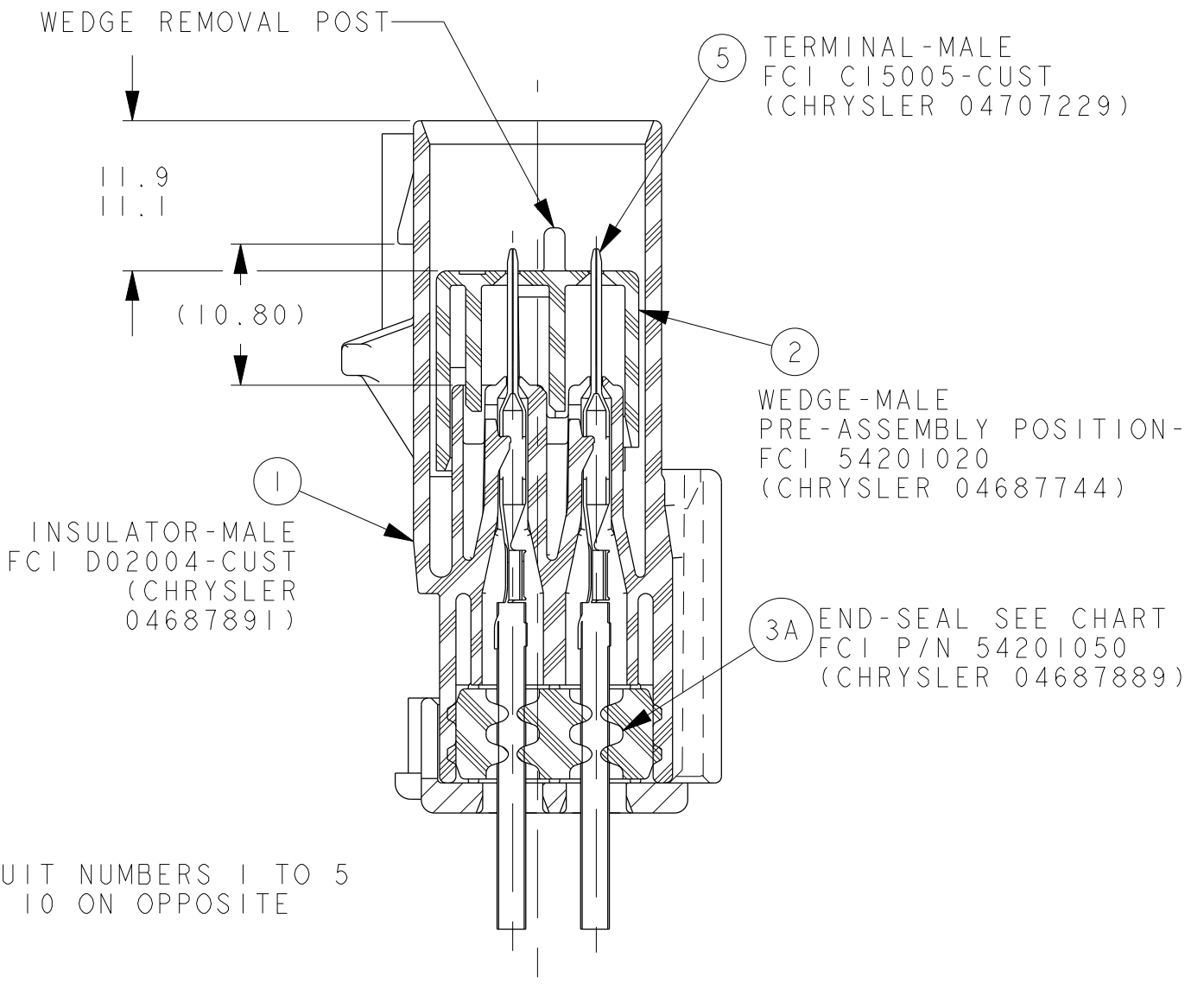
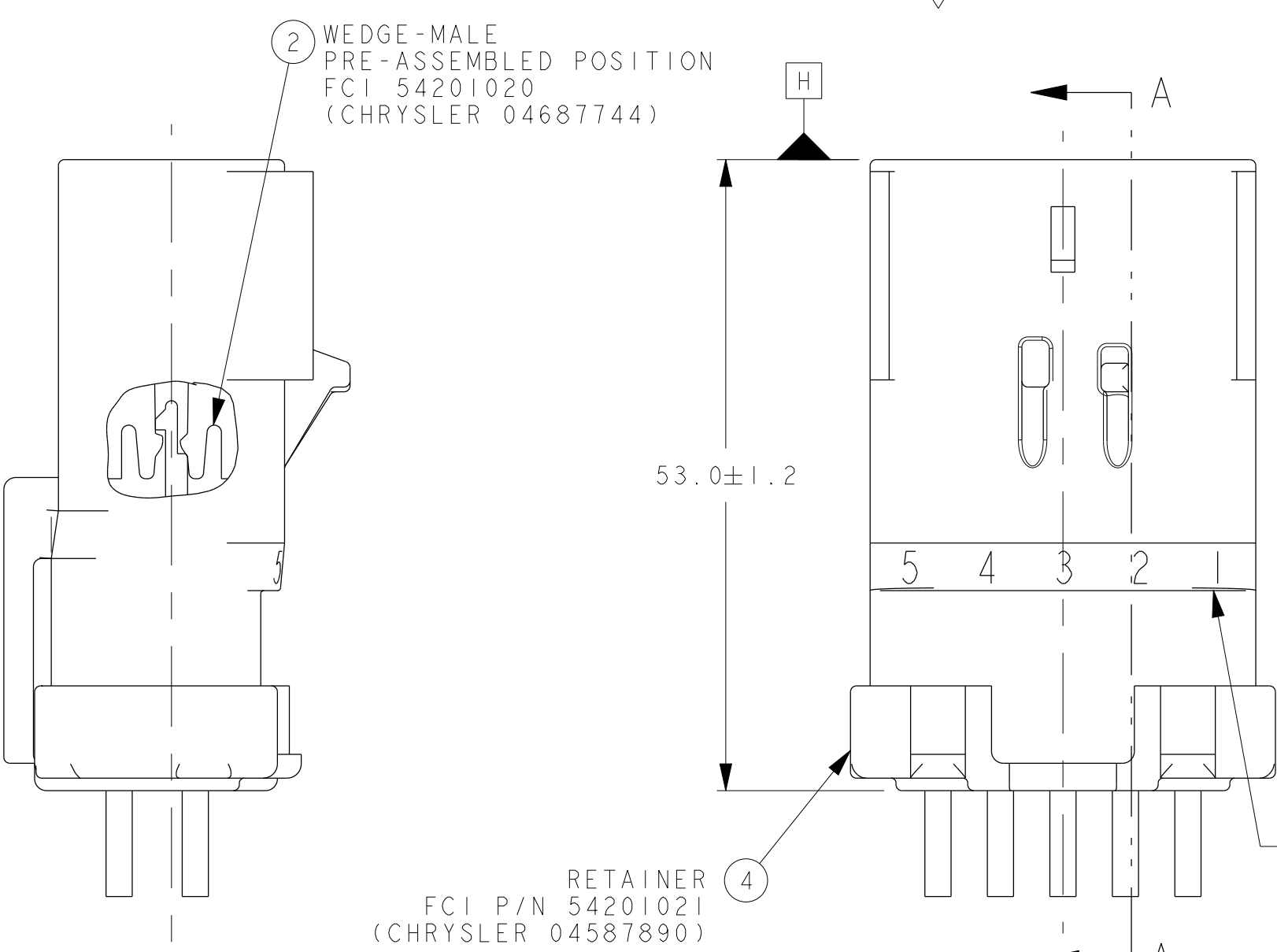
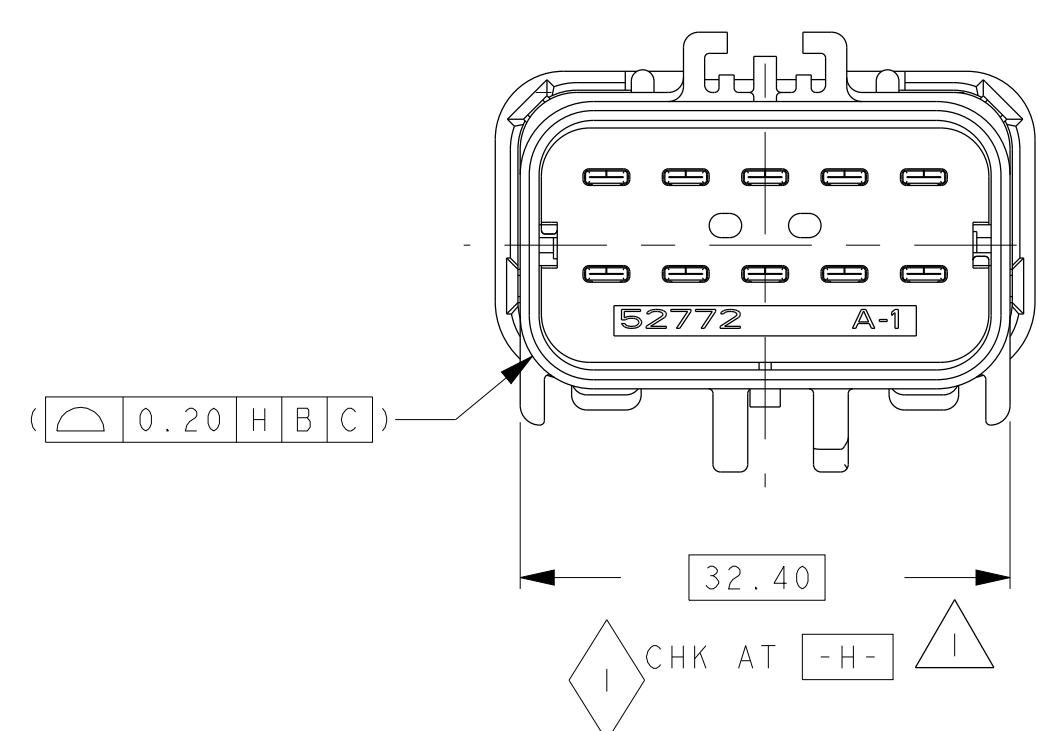
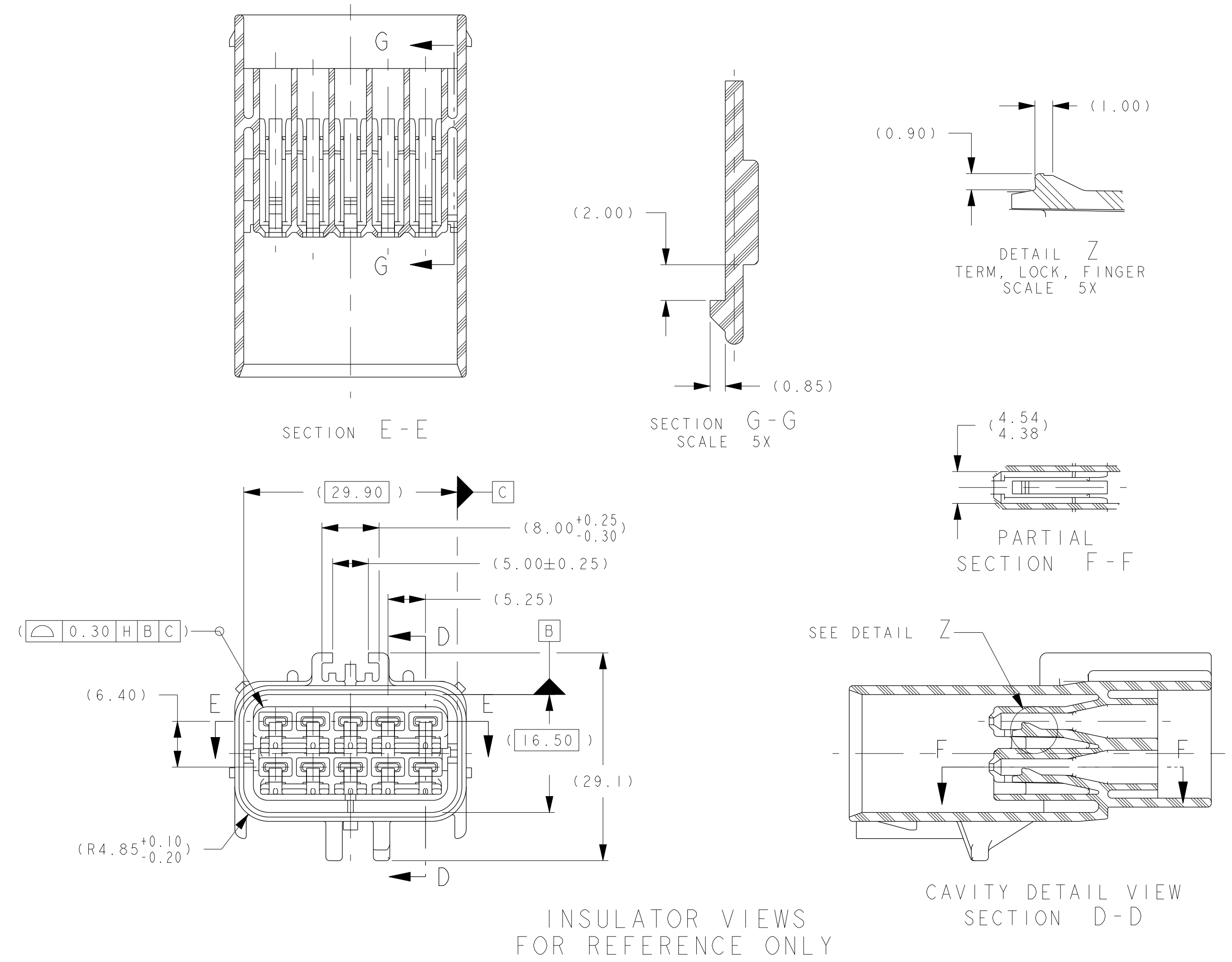
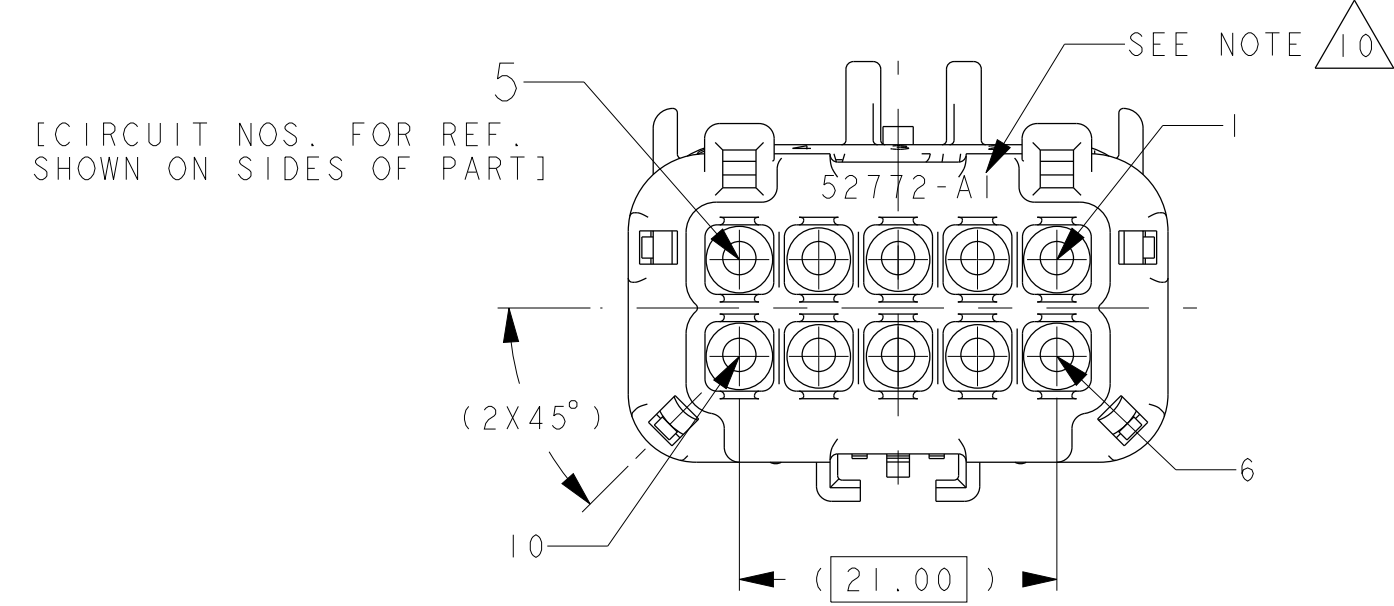


LAST 6 DIGITS OF P/N & PART CHANGE LEVEL (PCL), MFG. DAILY DATE CODE & ASSY MACHINE NO. LETTERING MUST BE LEGIBLE. OPTIONAL

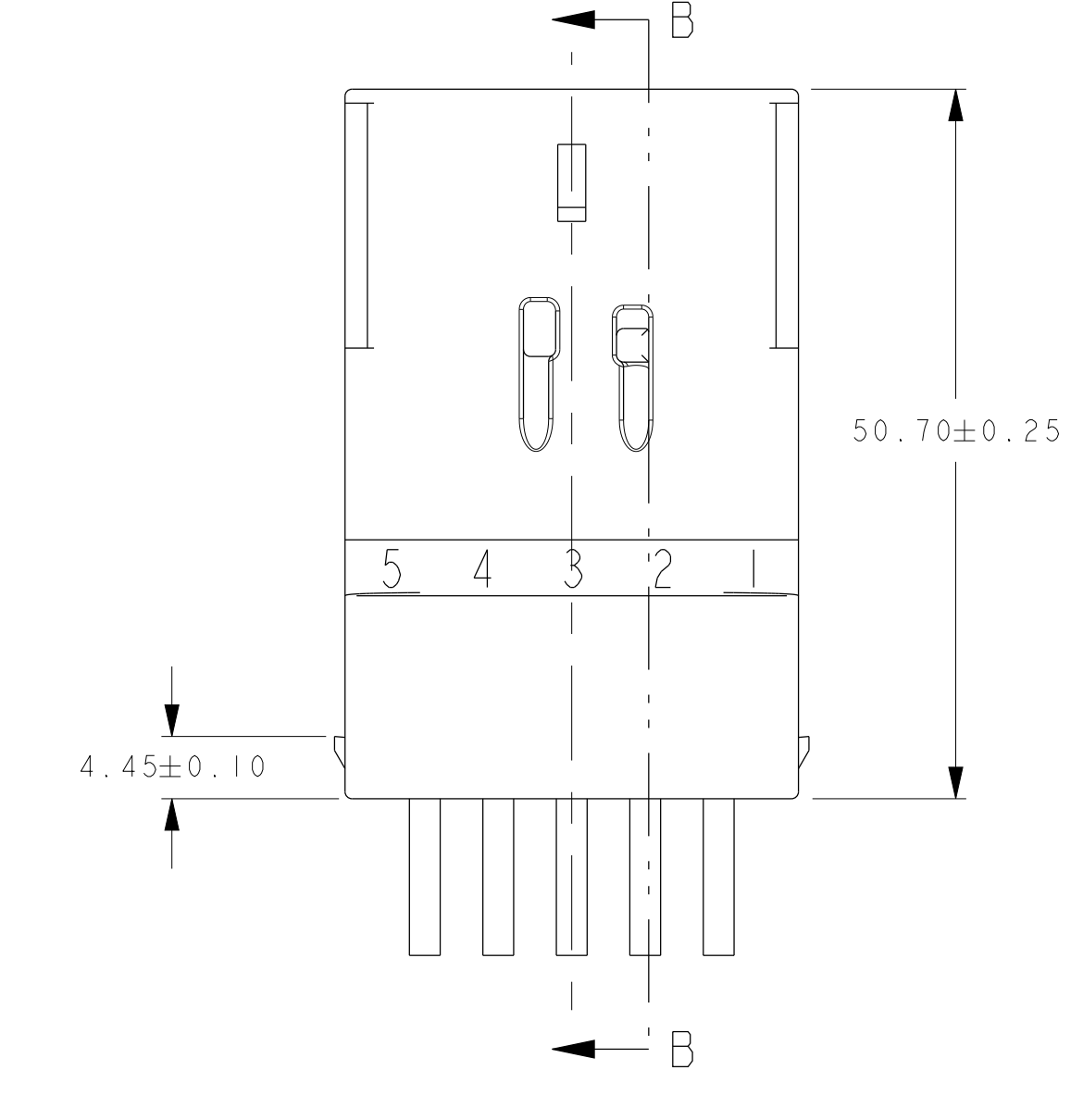
PARTIAL SIDE VIEW



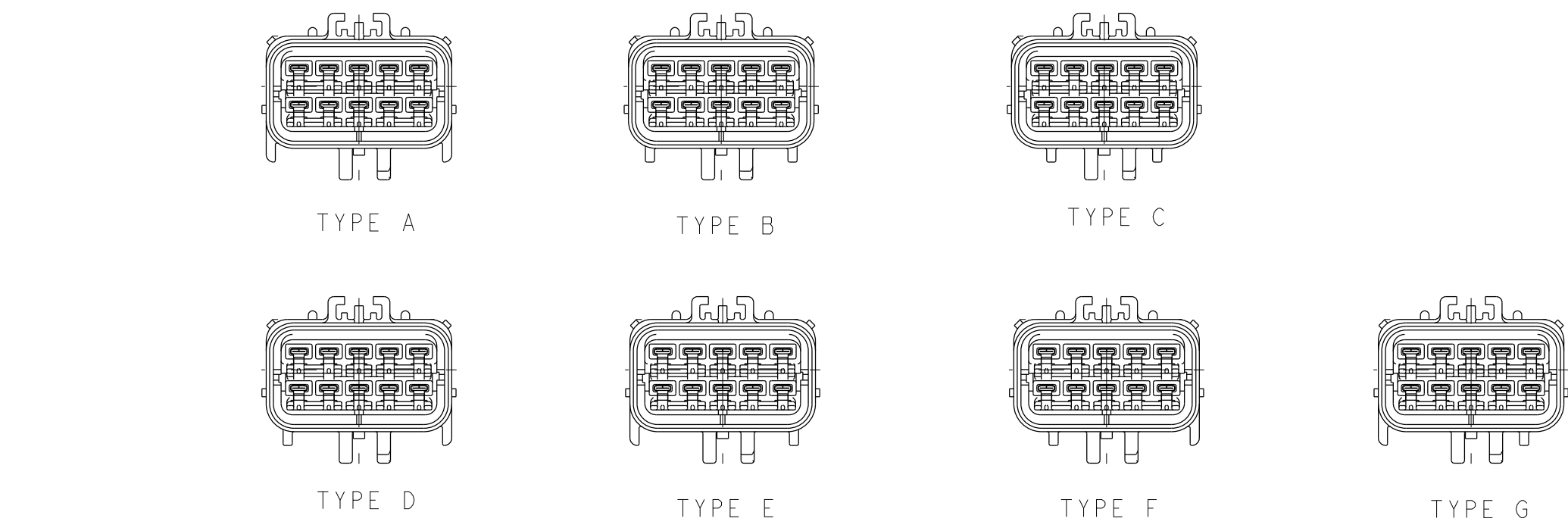
SECTION A-A SEALED ASSEMBLY VIEW SEE PART NUMBER CHART



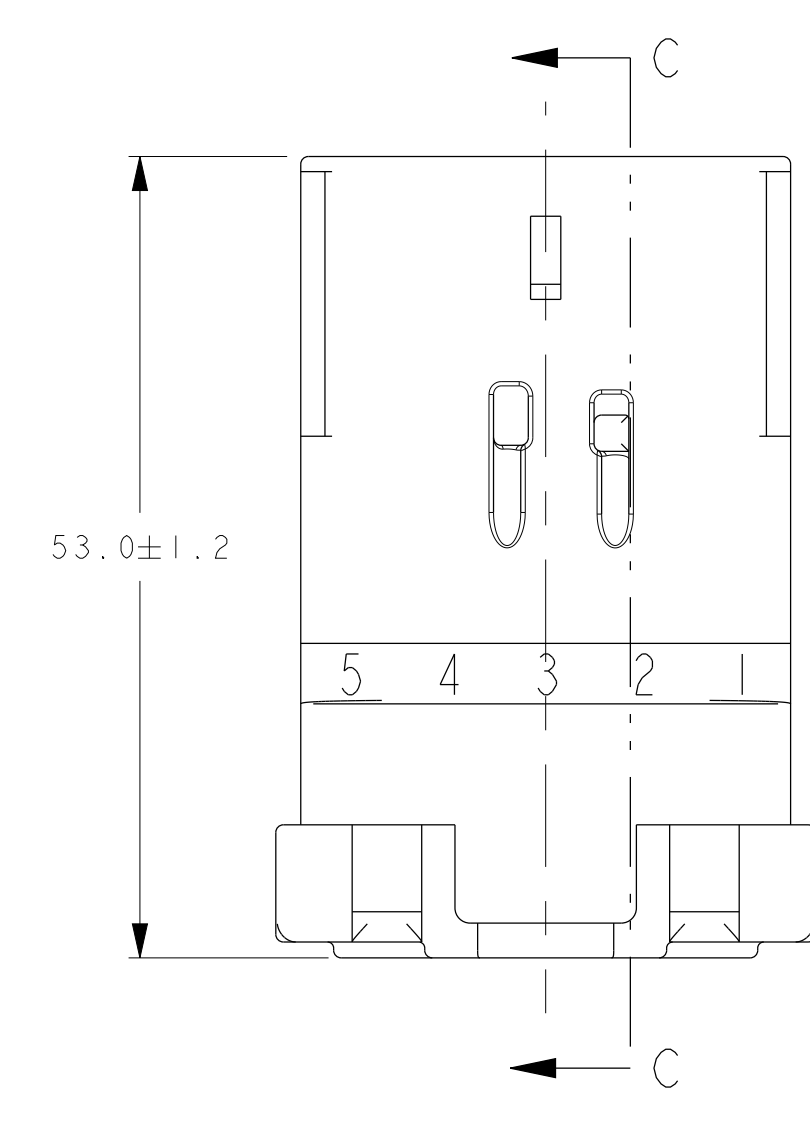
INSULATOR VIEWS FOR REFERENCE ONLY



SECTION B-B UNSEALED ASSEMBLY VIEW SEE PART NUMBER CHART



POLARIZATION OPTIONS FULL SIZE



SECTION C-C WITHOUT HOLES SEE P/N CHART

MATING PART NUMBERS CHART

INDEX TYPE	COLOR	SEALED/UNSEALED	FCI (CHRYSLER)	YNA	FCI (CHRYSLER)	YNA	FCI (CHRYSLER)	YNA	
G	LT BROWN	SEALED	54201042	N/A	N/A	54201043N	N/A	N/A	
		SEALED	54201042	04868047AA	N/A	54201043	04868049AA	N/A	
		SEALED	DIRECT CONNECT APPLICATION		*54201063	N/A	N/A	N/A	
F	AQUA	UNSEALED	DIRECT CONNECT APPLICATION		54201005M	N/A	N/A	N/A	
		UNSEALED	DIRECT CONNECT APPLICATION		54201005	04687905	7283-4809-90	N/A	
		SEALED	DIRECT CONNECT APPLICATION		54201015N	N/A	N/A	N/A	
E	DK GRN	SEALED	DIRECT CONNECT APPLICATION		54201015	04687899	7283-4806-90	N/A	
		UNSEALED	DIRECT CONNECT APPLICATION		54201003N	N/A	N/A	N/A	
		UNSEALED	DIRECT CONNECT APPLICATION		54201003	04687904	7283-4808-60	N/A	
D	ORANGE	SEALED	DIRECT CONNECT APPLICATION		54201013N	N/A	N/A	N/A	
		SEALED	DIRECT CONNECT APPLICATION		54201013	04687898	7283-4805-60	N/A	
		UNSEALED	DIRECT CONNECT APPLICATION		54201004N	N/A	N/A	N/A	
C	DK GREY	UNSEALED	DIRECT CONNECT APPLICATION		54201004	04687903	7283-4807-50	N/A	
		SEALED	DIRECT CONNECT APPLICATION		54201014N	N/A	N/A	N/A	
		SEALED	DIRECT CONNECT APPLICATION		54201014	04687897	7283-4804-50	N/A	
B	LT GRN	SEALED	DIRECT CONNECT APPLICATION		54201011N	N/A	N/A	N/A	
		SEALED	DIRECT CONNECT APPLICATION		54201011	04801117	7229-2829-40	N/A	
		SEALED	DIRECT CONNECT APPLICATION		*54201023N	N/A	N/A	N/A	
A	BLACK	SEALED	DIRECT CONNECT APPLICATION		*54201023	04801112	7223-1609-40	N/A	
		UNSEALED	54201008	N/A	N/A	54201002N	N/A	N/A	
		UNSEALED	54201008	04687911	7222-1009-60	54201002	04687902	7223-1109-60	N/A
A	LT GREY	SEALED	54201018	N/A	N/A	54201012N	N/A	N/A	
		SEALED	54201018	04687908	N/A	54201012	04687896	7283-4803-60	N/A
		SEALED	DIRECT CONNECT APPLICATION		*54201062	N/A	N/A	N/A	
A	BLACK	UNSEALED	54201007	N/A	N/A	54201001N	N/A	N/A	
		UNSEALED	54201007	04687910	N/A	54201001	04687901	7283-4802-40	N/A
		SEALED	54201017	N/A	N/A	54201010N	N/A	N/A	
A	BLACK	SEALED	54201017	04687907	7282-4605-40	54201010	04687895	7283-4605-40	N/A
		SEALED	54201024	04688875	N/A	54201010	04687895	7283-4605-40	N/A
		UNSEALED	54201006	N/A	N/A	54201000N	N/A	N/A	
A	BLACK	UNSEALED	54201006	04687909	N/A	54201000	04687900	7283-4606-30	N/A
		SEALED	54201016	04687906	7222-7406-30	54201009	04687894	7223-1605-30	N/A
		SEALED	54201016	04687906	7222-7406-30	*54201022N	04707443	7283-4801-30	N/A
A	BLACK	SEALED	54201016	04687906	7222-7406-30	*54201054	04759589AA	7283-4901-30	N/A
		SEALED	54201058	56045040AA	N/A	*54201054	04759589AA	7283-4901-30	N/A
		SEALED	54201016	04687906	7222-7406-30	54201056N	N/A	7283-4608-30	N/A
INDEX TYPE	COLOR	SEALED/UNSEALED	DIRECT CONNECT APPLICATION		54201051N	04707404	N/A	N/A	
			FCI (CHRYSLER)	YNA	FCI (CHRYSLER)	YNA			

ASSEMBLY PART NUMBERS CHART

FCI P/N'S	YNA P/N'S	UNSEALED	SEALED
54201006	04687909		
54201007	04687910		
54201008	04687911		
54201016	04687906		
54201017	04687907		
54201018	04687908		
54201024	04688875		
54201058	56045040AA		
54201059	04688466AA		

REQUIRED	REQUIRED	CHRYSLER P/N'S	FCI P/N	PART NAME; MATERIAL; COLOR
1	1	04687754	54201034	INSULATOR INDEX A; PA66GF; BLK
1	1	04687969	54201035	INSULATOR INDEX B; PA66GF; LT GRN
1	1	04687970	54201036	INSULATOR INDEX C; PA66GF; DK GRN
1	1	04868046AA	54201040	INSULATOR INDEX D; PA66GF; NATURAL
1	1	04687744	54201020	WEDGE (TPA); PA66GF; RED
1	1	04687963	54201050	END SEAL; SILICONE; DK BLUE
1	1	N/A	54201052	END SEAL NO HOLES; SILICONE; BRT YLO
1	1	04687750	54201021	RETAINER; PA66GF BLK

CONNECTOR ASSEMBLY TEMPERATURE CLASS PER SAE/USCAR-2 REV 5

NOTES:

- 1. QUALITY ASSURANCE REQUIREMENTS PER CHRYSLER PS-7300: 1 SPC DATA REQUIRED
- 2. ENGINEERING APPROVAL OF SUPPLIER SAMPLES IS REQUIRED PRIOR TO AUTHORIZATION OF PART PRODUCTION
- 3. CHANGES IN DESIGN COMPOSITION OR PROCESSING FROM THE PART PREVIOUSLY APPROVED FOR PART PRODUCTION REQUIRES PRIOR ENGINEERING APPROVAL
- 4. WIRING FABRICATORS MUST PURCHASE FROM SOURCES SHOWN
- 5. ALL THE SEALED CONNECTOR APPLICATIONS MUST BE USED WITH CHRYSLER WIRE SPEC. MS-8288 OR MS-9502 THIN WALL X-LINK 20, 18, 16, 14, & 12 GAGE WIRES ONLY UNLESS OTHERWISE SPECIFIED (WIRE INSULATIONS Ø1.70 MIN TO Ø3.35 MAX) ISO THINWALL EQUIVALENTS PERMISSIBLE
- 6. ALL NON-SEALED APPLICATIONS MAY BE USED WITH ANY WIRE INSULATION 22 GAGE THRU 10 GAGE (EXCEPT AS NOTED) PROVIDING THAT A TERMINAL GRIP FOR THAT CORE/INSULATION COMBINATION IS SHOWN ON THE MALE TERMINAL DRAWING ISO THINWALL EQUIVALENTS PERMISSIBLE
 - MAX. INSULATION CRIMP WIDTH = 4.50
 - MAX. INSULATION CRIMP HEIGHT = 4.50
 - MAX. INSULATION DIA. = 4.09 (10 GA THIN WALL)
- 7. USE WITH FOLLOWING APPLICABLE COMPONENTS AS NOTED: CAVITY PLUS FCI P/N 54200005 (CHRYSLER P/N 56038308) DOUBLE X-MAS TREE CLIP CHRYSLER P/N 04707091 SINGLE X-MAS TREE CLIP CHRYSLER P/N 04625797 DOUBLE X-MAS TREE CLIP WITH FORWARD STOP FCI P/N 54200010 2.80MM APEX MALE TERM C15005-CUST SYM. ABOUT CENTERLINE FOR 180° ORIENTATION
- 8. DIRECT CONNECT INTERFACE PER FCI G3610 (CHRYSLER 04707028)
- 9. TEST METHOD PER CHRYSLER PERFORMANCE SPEC# PF-9600, CONNECTOR ENGAGE & DISENGAGE WITH LATCH DEPRESSED FORCE NOT TO EXCEED 120N. FOR THIS SYSTEM
 - WEDGE SEATING FORCES - 100 N. MAX
 - X-MAS TREE CLIP INSERTION FORCES - 75 N. MAX
- 10. SUPPLIER, MOLD & CAVITY I.D. SIGNIFIES TOOL OWNERSHIP, FOR REFERENCE
- 11. ANNUAL QUALITY REQUIREMENTS: IT IS PERMISSIBLE TO PERFORM ANNUAL CONTINUOUS CONFORMANCE PER FCI SPECIFICATION 8040-001 INSTEAD OF ANNUAL LAYOUT & ANNUAL PV REQUIREMENTS OF QS-9000 SECTION 2 & SAE/USCAR-2 REV 5
 - ALL NON-REFERENCE DIMENSIONS ARE REQUIRED
 - USE INDEX A, BLACK SEALED AND UNSEALED FOR ALL AFFECTED INSULATOR CAVITIES
 - CURRENT PRODUCTION TOOLING
 - POINT OF LAST RUN
 - SERVICE TOOLING GUIDE INFORMATION PER APEX TRAINING MANUAL
- 12. MUST CONFORM TO THE FOLLOWING CHRYSLER /YNA STANDARDS:
 - PF-9600 PERFORMANCE (CHRYSLER) EXCEPT AS NOTED ABOVE
 - PS-7300 QUALITY ASSURANCE (CHRYSLER)
 - MS-9502 SEAL APPL. 150° C
 - MS-8288 SEDL APPL. 125° C
 - PS-9227 DATA EXCHANGE (CHRYSLER), (GD09-7 YNA)
 - PS-10052 INFORMATION SECURITY (CHRYSLER)
- 13. THIS DRAWING (H59015) REPLACES CHRYSLER DRAWING 04687873 LEVEL "N" CHRYSLER DRAWING NUMBER IS FOR REFERENCE ONLY (NOT AVAILABLE)

REV. NO.	ZONE	DESCRIPTION	DATE	BY	CHKD
12-00659	ALL	REVISED & REDRAWN IN PDS. SEE REV Q1 FOR PREVIOUS CHANGES NOTES AND ASSEMBLY P/N CHARTS UPDATED			

Компания «Life Electronics» занимается поставками электронных компонентов импортного и отечественного производства от производителей и со складов крупных дистрибьюторов Европы, Америки и Азии.

С конца 2013 года компания активно расширяет линейку поставок компонентов по направлению коаксиальный кабель, кварцевые генераторы и конденсаторы (керамические, пленочные, электролитические), за счёт заключения дистрибьюторских договоров

Мы предлагаем:

- Конкуренспособные цены и скидки постоянным клиентам.
- Специальные условия для постоянных клиентов.
- Подбор аналогов.
- Поставку компонентов в любых объемах, удовлетворяющих вашим потребностям.
- Приемлемые сроки поставки, возможна ускоренная поставка.
- Доставку товара в любую точку России и стран СНГ.
- Комплексную поставку.
- Работу по проектам и поставку образцов.
- Формирование склада под заказчика.
- Сертификаты соответствия на поставляемую продукцию (по желанию клиента).
- Тестирование поставляемой продукции.
- Поставку компонентов, требующих военную и космическую приемку.
- Входной контроль качества.
- Наличие сертификата ISO.

В составе нашей компании организован Конструкторский отдел, призванный помогать разработчикам, и инженерам.

Конструкторский отдел помогает осуществить:

- Регистрацию проекта у производителя компонентов.
- Техническую поддержку проекта.
- Защиту от снятия компонента с производства.
- Оценку стоимости проекта по компонентам.
- Изготовление тестовой платы монтаж и пусконаладочные работы.



Тел: +7 (812) 336 43 04 (многоканальный)
Email: org@lifeelectronics.ru