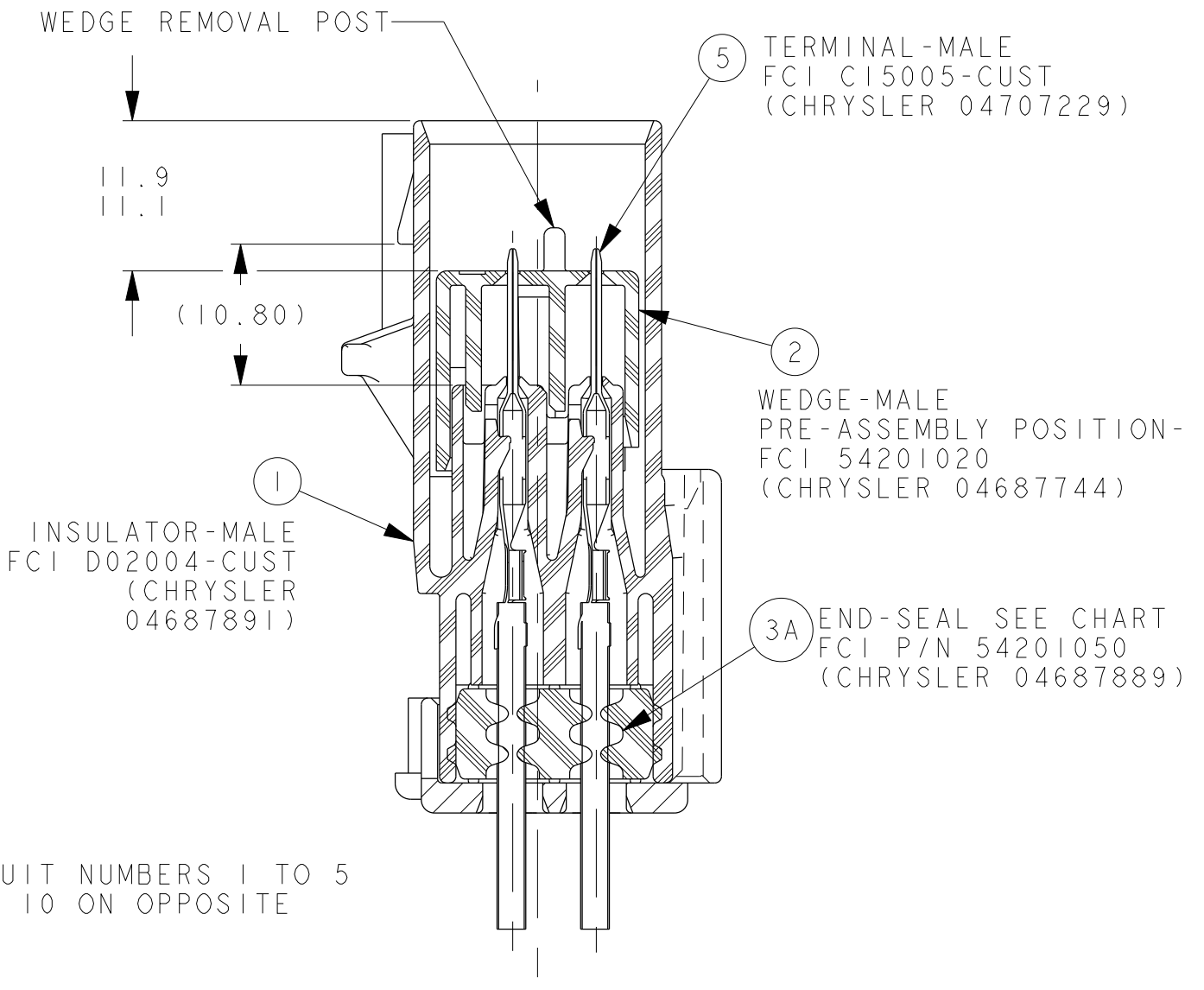
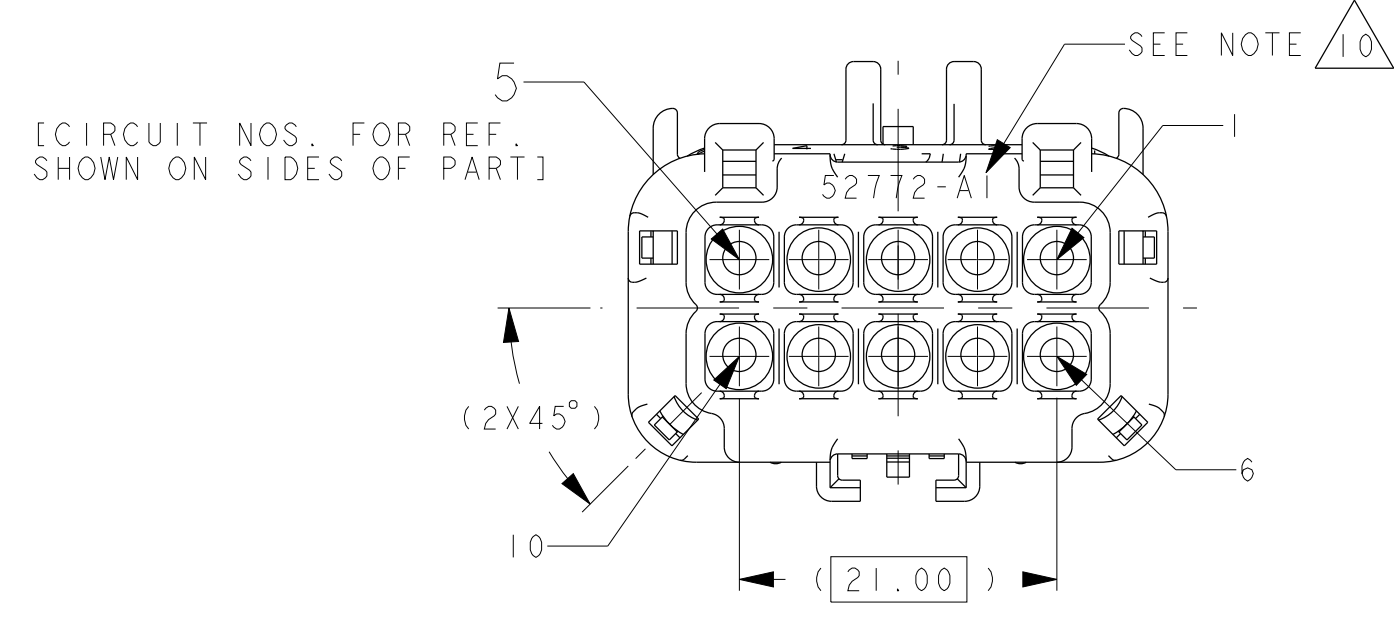
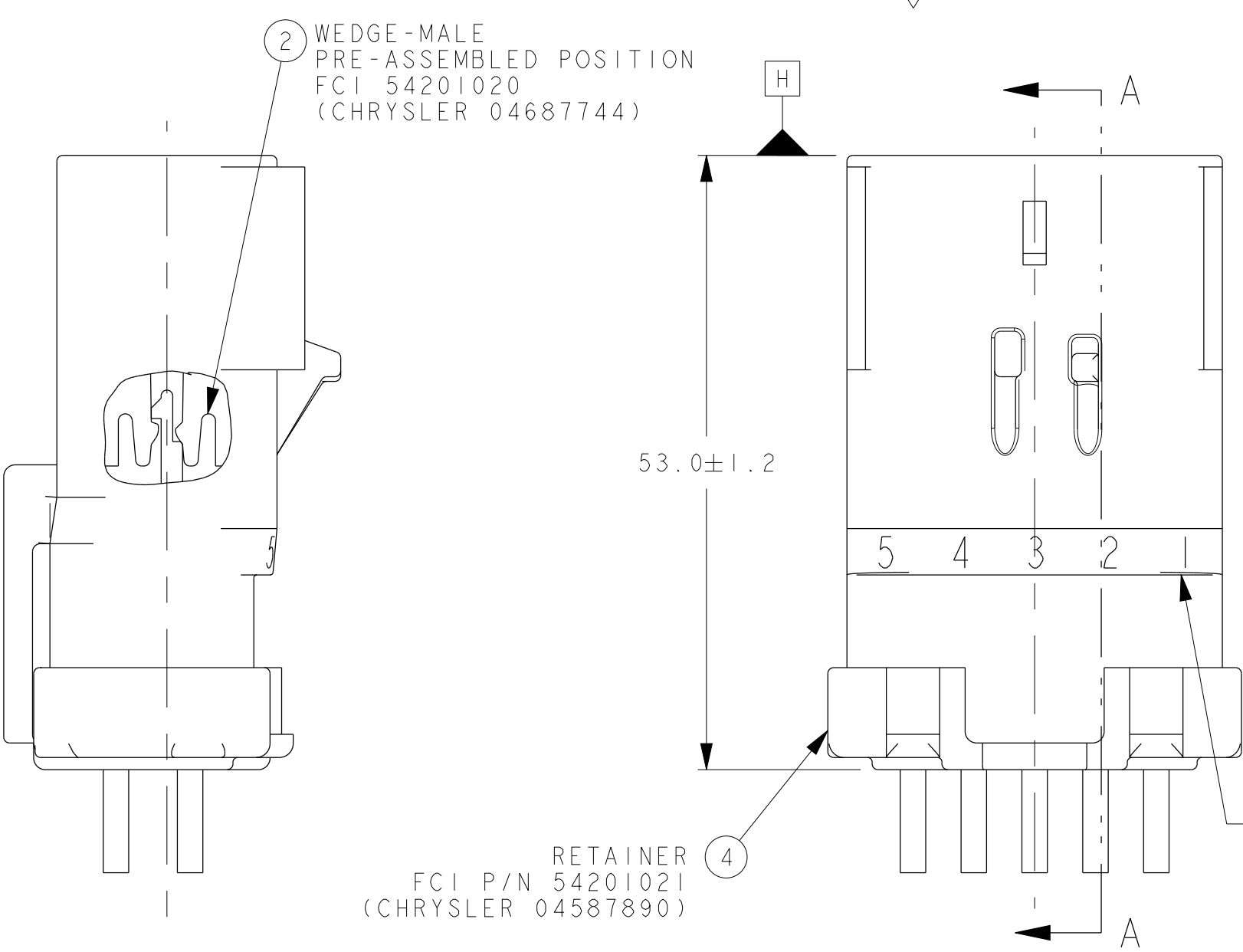
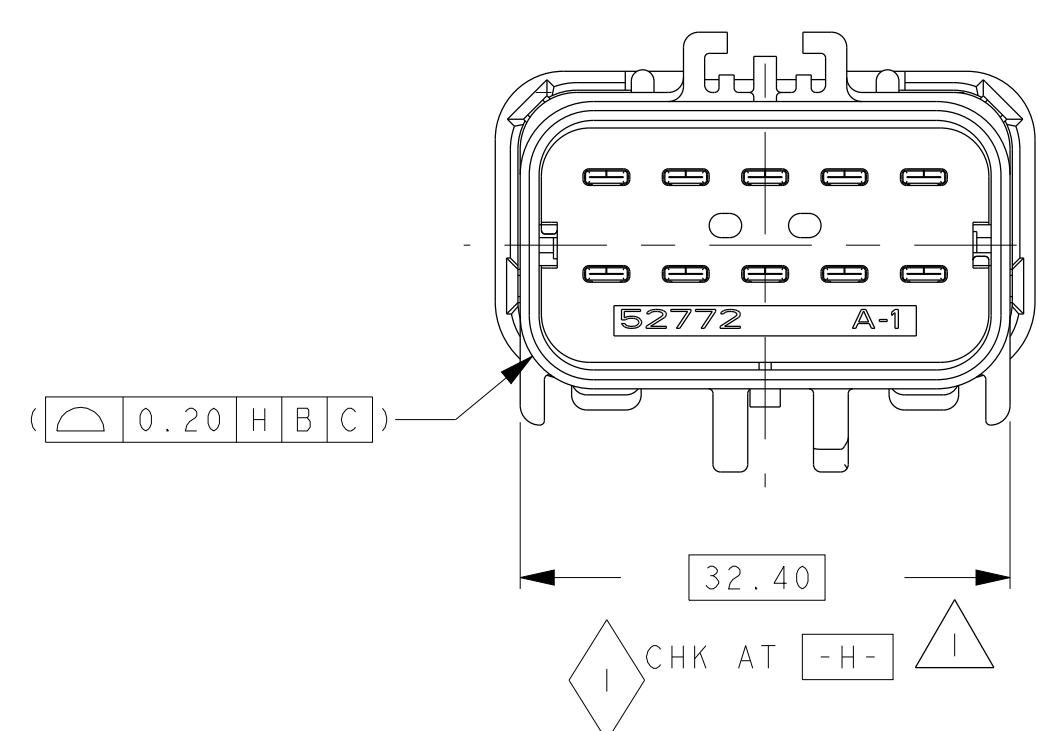
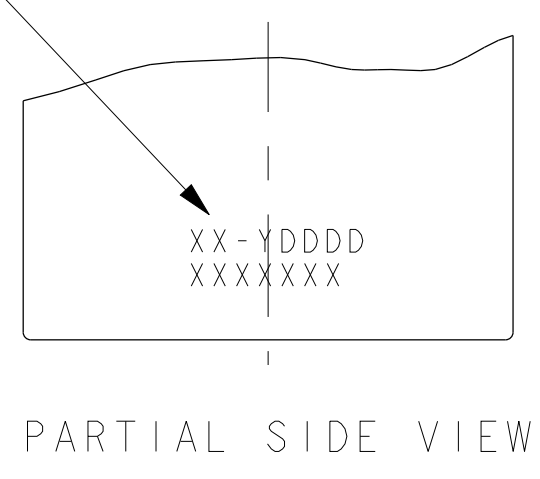
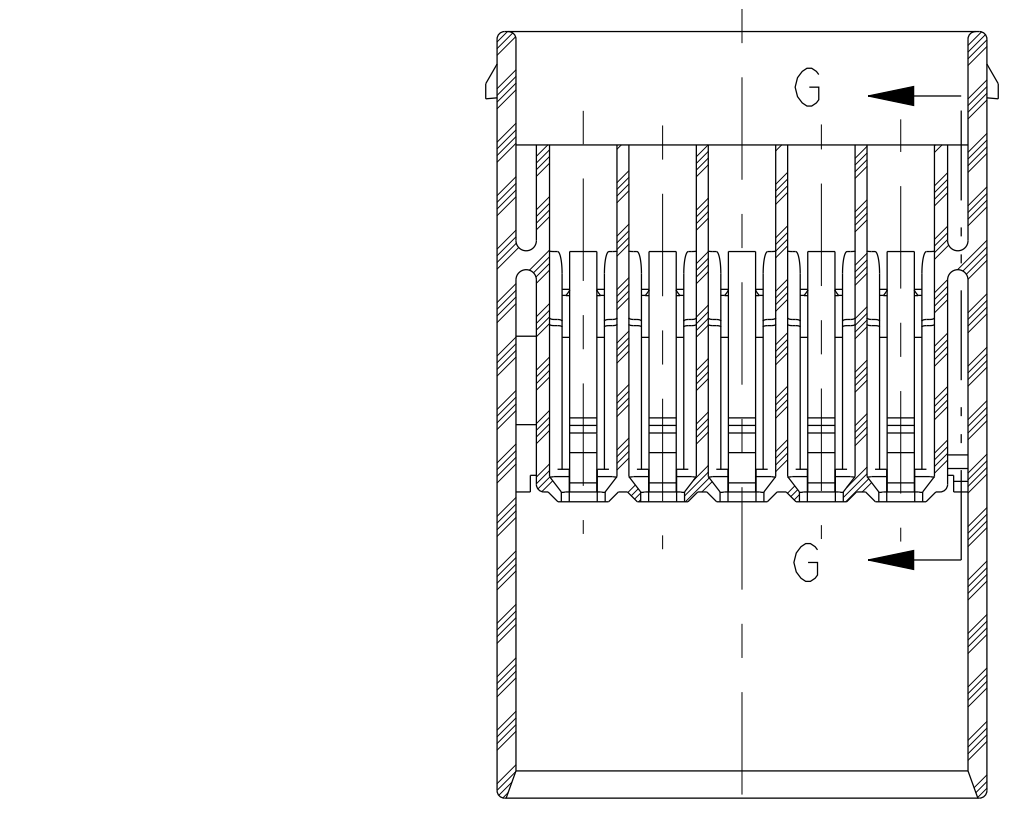


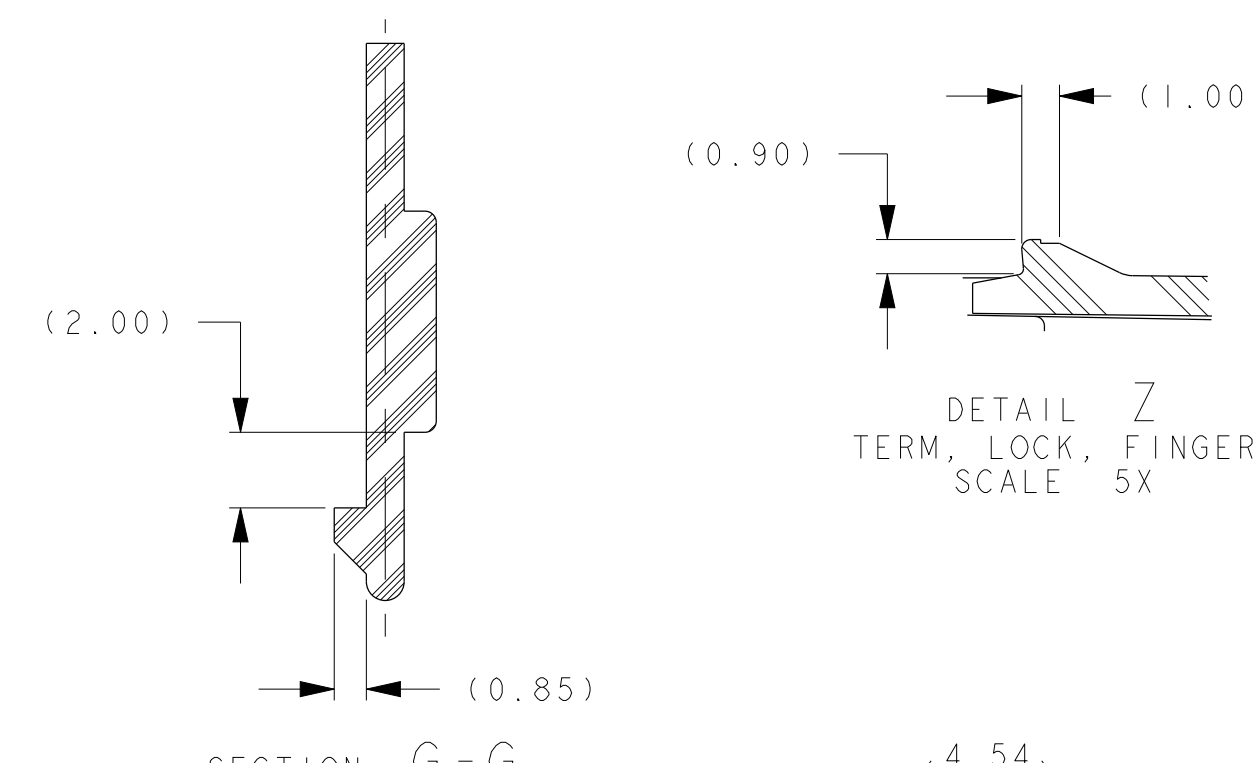
LAST 6 DIGITS OF P/N & PART CHANGE LEVEL (PCL), MFG. DAILY DATE CODE & ASSY MACHINE NO. LETTERING MUST BE LEGIBLE. OPTIONAL



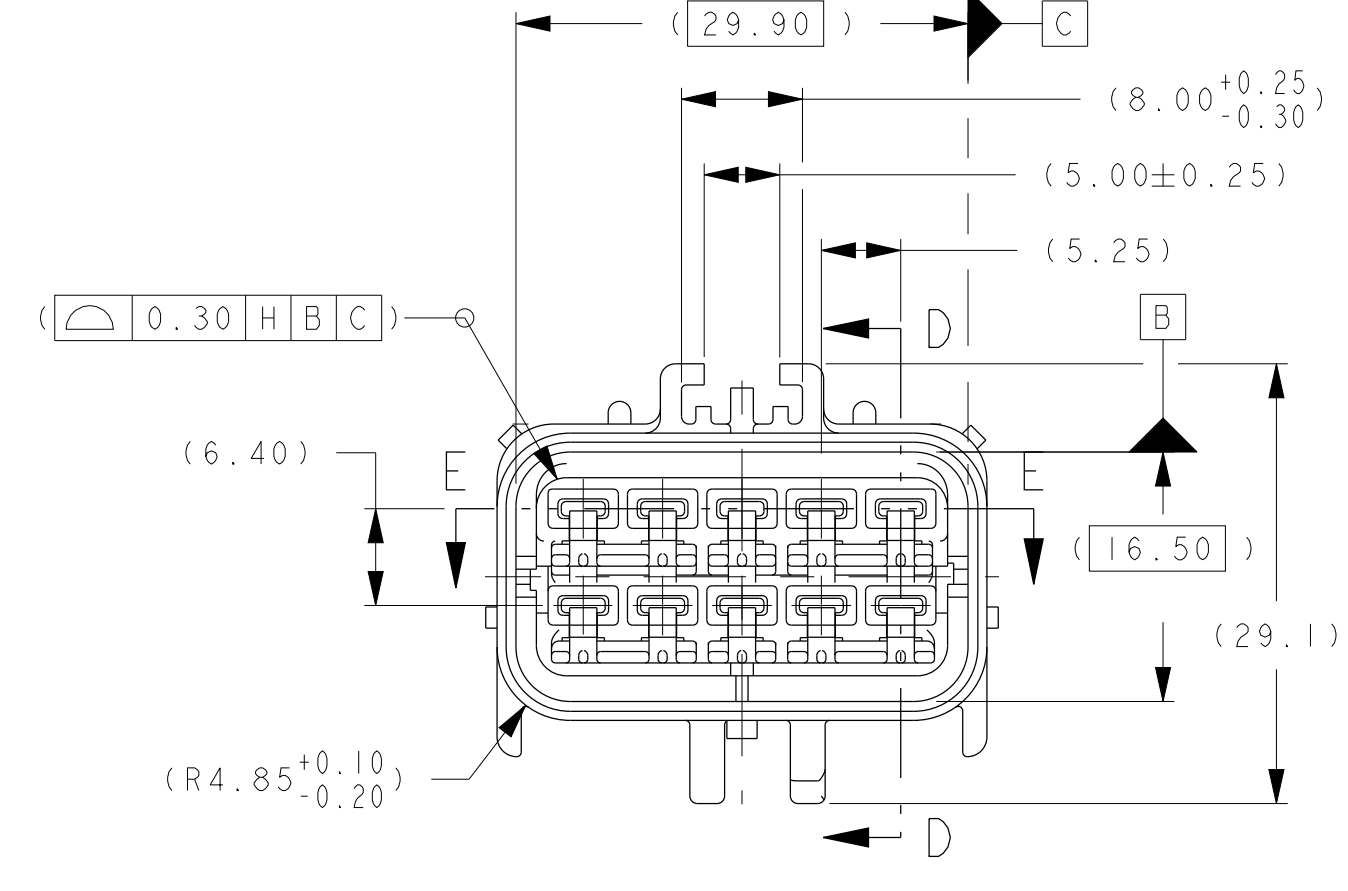
SECTION A-A SEALED ASSEMBLY VIEW SEE PART NUMBER CHART



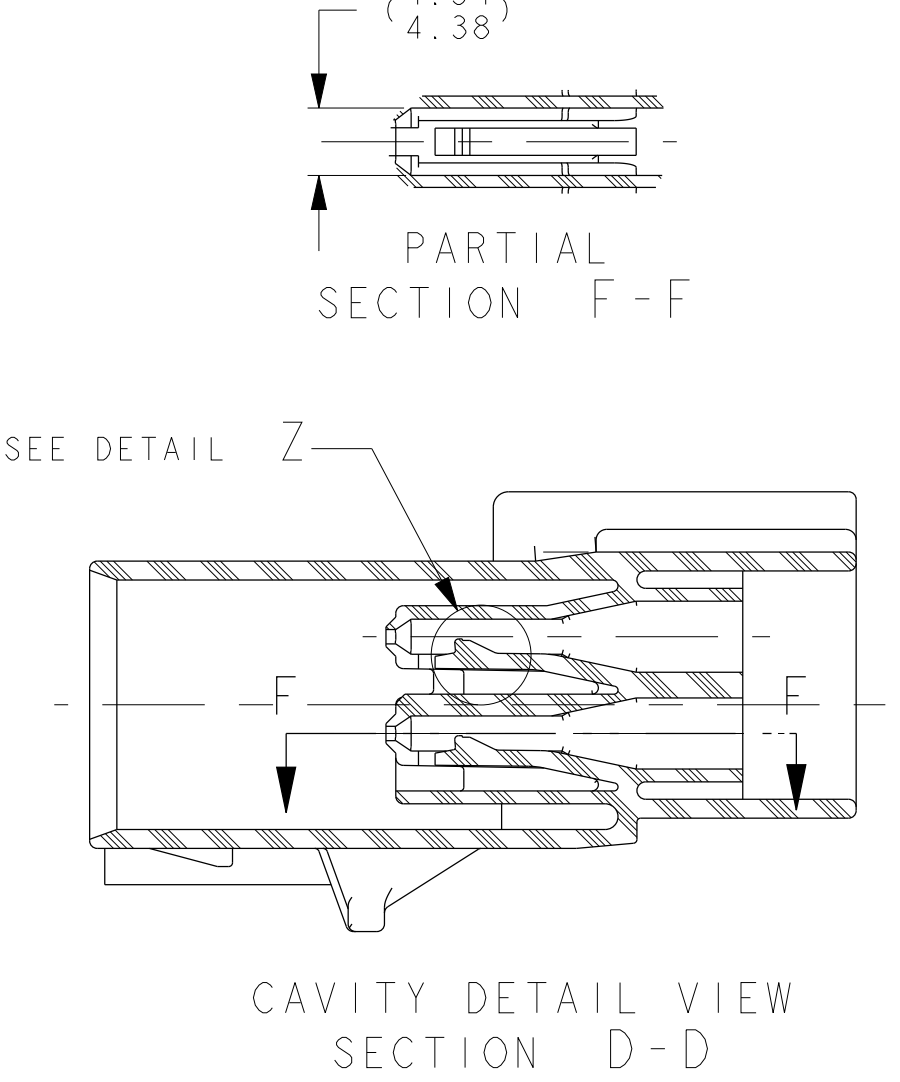
SECTION E-E



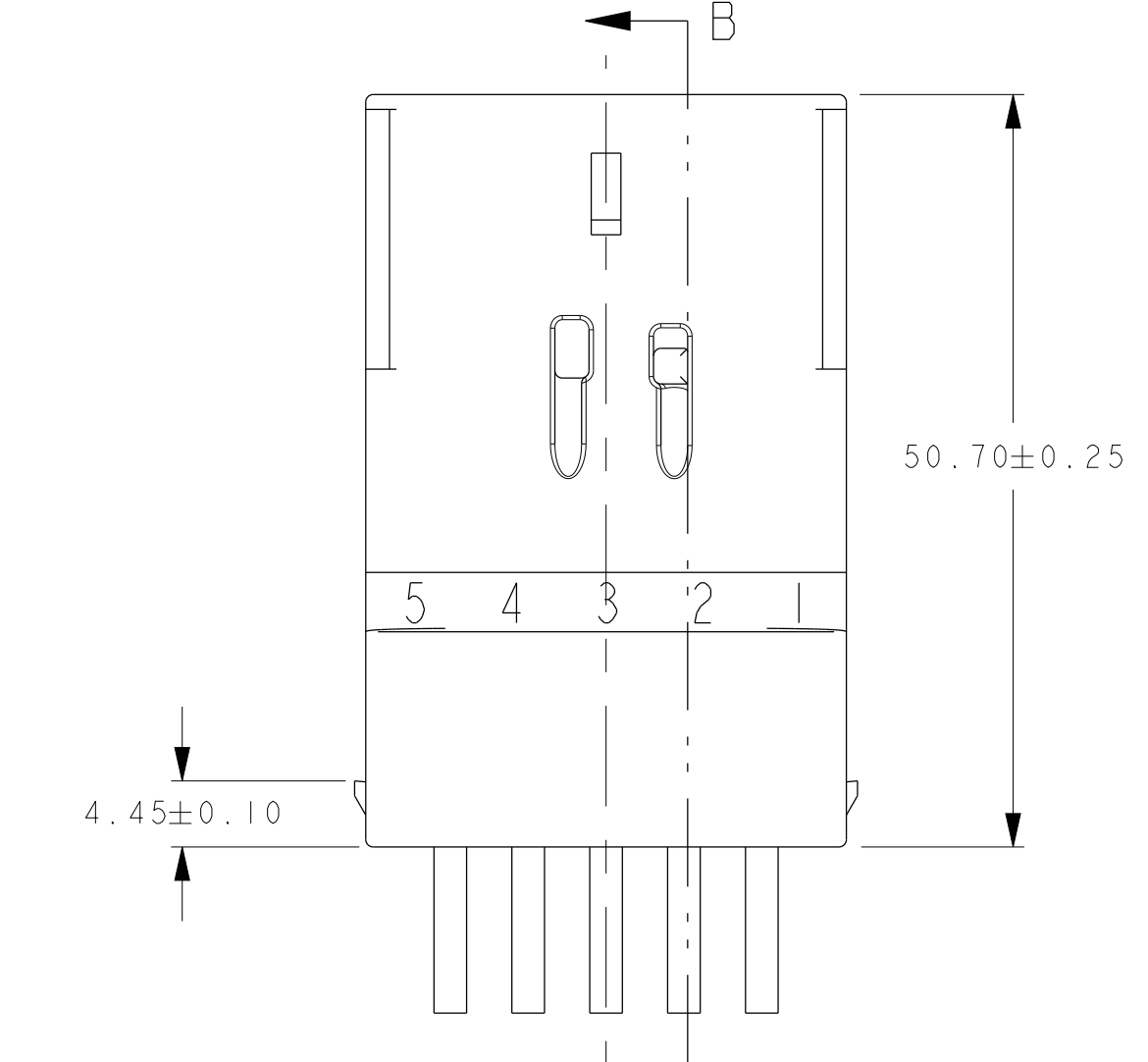
DETAIL Z TERM LOCK, FINGER SCALE 5X



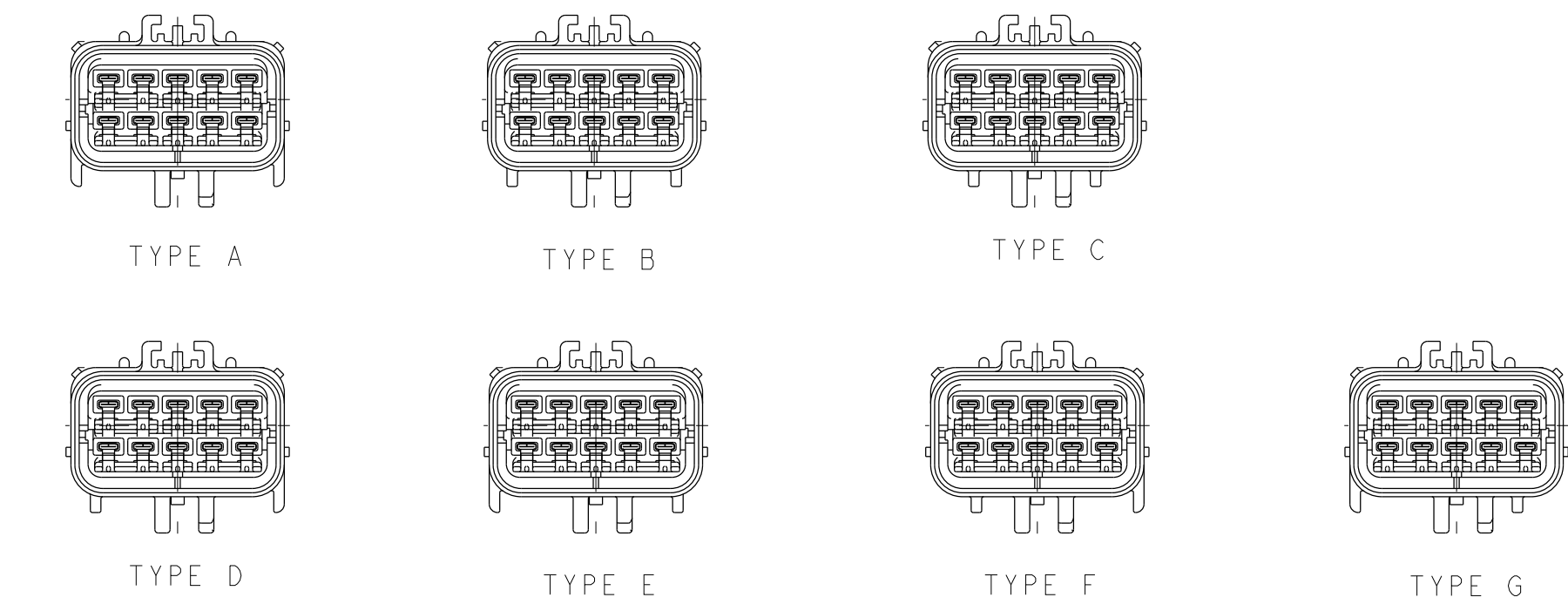
INSULATOR VIEWS FOR REFERENCE ONLY



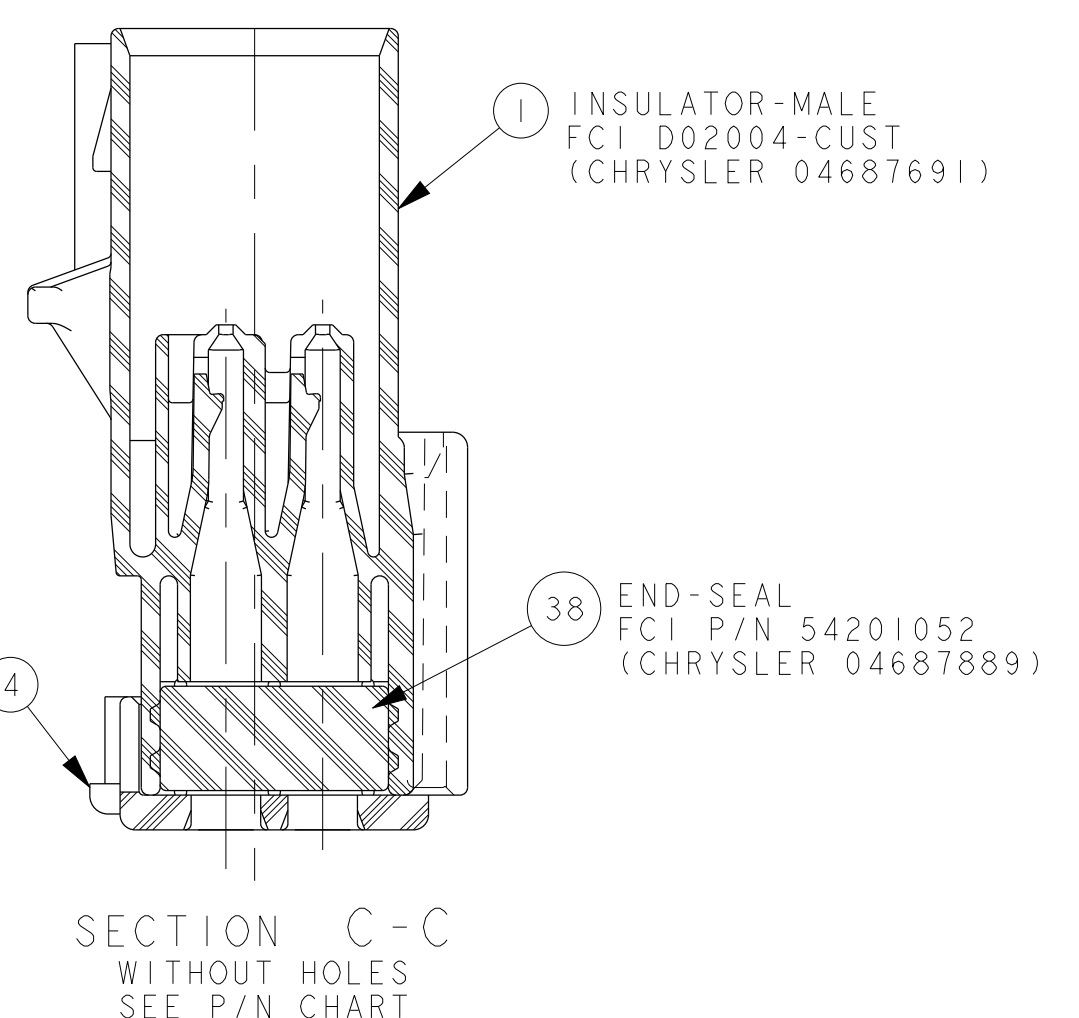
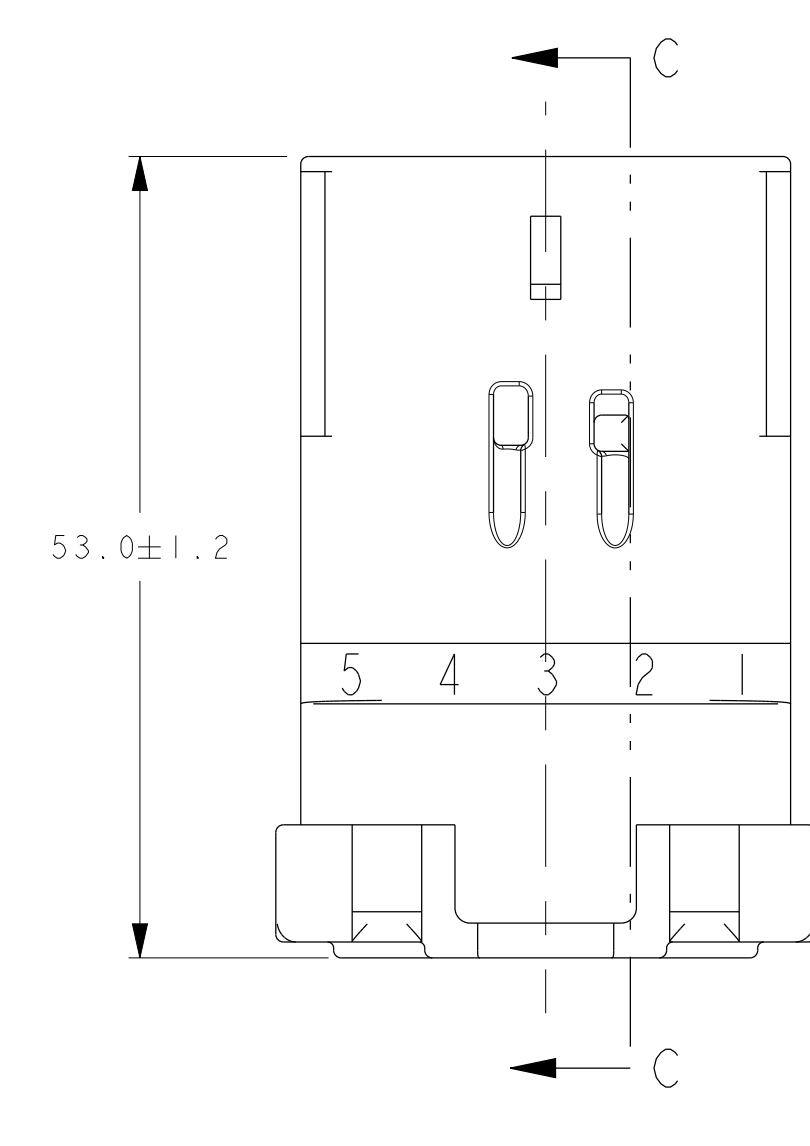
CAVITY DETAIL VIEW SECTION D-D



SECTION B-B UNSEALED ASSEMBLY VIEW SEE PART NUMBER CHART



POLARIZATION OPTIONS FULL SIZE



SECTION C-C WITHOUT HOLES SEE P/N CHART

MATING PART NUMBERS CHART

INDEX TYPE	COLOR	SEALED/UNSEALED	FCI (CHRYSLER)	YNA	FCI (CHRYSLER)	YNA	MATING ASSEMBLY PART NUMBER FOR REFERENCE ONLY	
G	LT BROWN	SEALED	54201042	N/A	N/A	54201043N	N/A	
		SEALED	54201042	04868047AA	N/A	54201043	04868049AA	
		SEALED	DIRECT CONNECT APPLICATION		*54201063	N/A	N/A	
F	AQUA	UNSEALED	DIRECT CONNECT APPLICATION		54201065N	N/A	N/A	
		UNSEALED	DIRECT CONNECT APPLICATION		54201005	04687905	7283-4809-90	
		SEALED	DIRECT CONNECT APPLICATION		54201015N	N/A	N/A	
E	DK GRN	SEALED	DIRECT CONNECT APPLICATION		54201015	04687899	7283-4806-90	
		UNSEALED	DIRECT CONNECT APPLICATION		54201003N	N/A	N/A	
		UNSEALED	DIRECT CONNECT APPLICATION		54201003	04687904	7283-4808-60	
D	ORANGE	SEALED	DIRECT CONNECT APPLICATION		54201013N	N/A	N/A	
		SEALED	DIRECT CONNECT APPLICATION		54201013	04687898	7283-4805-60	
		UNSEALED	DIRECT CONNECT APPLICATION		54201004N	N/A	N/A	
C	DK GREY	UNSEALED	DIRECT CONNECT APPLICATION		54201004	04687903	7283-4807-50	
		SEALED	DIRECT CONNECT APPLICATION		54201014N	N/A	N/A	
		SEALED	DIRECT CONNECT APPLICATION		54201014	04687897	7283-4804-50	
B	LT GREY	SEALED	DIRECT CONNECT APPLICATION		54201011N	N/A	N/A	
		SEALED	DIRECT CONNECT APPLICATION		54201011	04801117	7229-2829-40	
		SEALED	DIRECT CONNECT APPLICATION		*54201023N	N/A	N/A	
A	BLACK	SEALED	DIRECT CONNECT APPLICATION		*54201023	04801112	7223-1609-40	
		UNSEALED	54201008	N/A	N/A	54201002N	N/A	
		UNSEALED	54201008	04687911	7222-1009-60	54201002	04687902	7223-1109-60
A	BLACK	SEALED	54201018	N/A	N/A	54201012N	N/A	
		SEALED	54201018	04687908	N/A	54201012	04687896	7283-4803-60
		SEALED	DIRECT CONNECT APPLICATION		*54201062	N/A	N/A	
A	BLACK	UNSEALED	54201007	N/A	N/A	54201001N	N/A	
		UNSEALED	54201007	04687910	N/A	54201001	04687901	7283-4802-40
		SEALED	54201017	N/A	N/A	54201010N	N/A	
A	BLACK	SEALED	54201017	04687907	7282-4605-40	54201010	04687895	7283-4605-40
		SEALED	54201024	04688875	N/A	54201010	04687895	7283-4605-40
		UNSEALED	54201006	N/A	N/A	54201000N	N/A	
A	BLACK	UNSEALED	54201006	04687909	N/A	54201000	04687900	7283-4606-30
		SEALED	54201016	04687906	7222-7406-30	54201009	04687894	7223-1605-30
		SEALED	54201016	04687906	7222-7406-30	*54201022N	04707443	7283-4801-30
A	BLACK	SEALED	54201016	04687906	7222-7406-30	*54201054	04759589AA	7283-4901-30
		SEALED	54201058	56045040AA	N/A	*54201054	04759589AA	7283-4901-30
		SEALED	54201016	04687906	7222-7406-30	54201056N	N/A	7283-4608-30
INDEX TYPE	COLOR	SEALED/UNSEALED	DIRECT CONNECT APPLICATION		54201051N	04707404	N/A	
			FCI (CHRYSLER)	YNA	FCI (CHRYSLER)	YNA		

ASSEMBLY PART NUMBERS CHART

FCI P/N'S	YNA P/N'S		CHRYSLER P/N'S	
	UNSEALED	SEALED	UNSEALED	SEALED
54201006	04687909	N/A	54201016	04687906
54201007	04687910	N/A	54201017	04687907
54201008	04687911	7222-1009-60	54201018	04687908
			54201019	04688875
			54201024	04868047AA
			54201058	56045040AA
			54201059	04868464AA

REQUIRED	REQUIRED	CHRYSLER P/N'S	FCI P/N	PART NAME; MATERIAL; COLOR
I	I	①	04687754	54201034 INSULATOR INDEX A; PA66GF; BLK
I	I I I	①	04687969	54201035 INSULATOR INDEX B; PA66GF; LT GRY
I	I I I I	①	04687970	54201036 INSULATOR INDEX C; PA66GF; DK GRY
		①	04868046AA	54201040 INSULATOR INDEX D; PA66GF; NATURAL
I I I	I I I I I	②	04687744	54201020 WEDGE (TPA); PA66GF; RED
		③A	04687963	54201050 END SEAL; SILICONE; DK BLUE
		③B	N/A	54201052 END SEAL NO HOLES; SILICONE; BRT YLO
		④	04687750	54201021 RETAINER; PA66GF BLK

CONNECTOR ASSEMBLY TEMPERATURE CLASS PER SAE/USCAR-2 REV 5  
PART CHANGE LEVEL (PCL)

NOTES:

- ① QUALITY ASSURANCE REQUIREMENTS PER CHRYSLER PS-7300: 1 SPC DATA REQUIRED
- ② ENGINEERING APPROVAL OF SUPPLIER SAMPLES IS REQUIRED PRIOR TO AUTHORIZATION OF PART PRODUCTION
- ③ CHANGES IN DESIGN COMPOSITION OR PROCESSING FROM THE PART PREVIOUSLY APPROVED FOR PART PRODUCTION REQUIRES PRIOR ENGINEERING APPROVAL
- ④ WIRING FABRICATORS MUST PURCHASE FROM SOURCES SHOWN
- ⑤ ALL THE SEALED CONNECTOR APPLICATIONS MUST BE USED WITH CHRYSLER WIRE SPEC. MS-8288 OR MS-9502 THIN WALL X-LINK 20, 18, 16, 14, & 12 GAGE WIRES ONLY UNLESS OTHERWISE SPECIFIED (WIRE INSULATIONS Ø 1.70 MIN TO Ø 3.35 MAX) ISO THINWALL EQUIVALENTS PERMISSIBLE
- ⑥ ALL NON-SEALED APPLICATIONS MAY BE USED WITH ANY WIRE INSULATION 22 GAGE THRU 10 GAGE (EXCEPT AS NOTED) PROVIDING THAT A TERMINAL GRIP FOR THAT CORE/INSULATION COMBINATION IS SHOWN ON THE MALE TERMINAL DRAWING ISO THINWALL EQUIVALENTS PERMISSIBLE  
MAX. INSULATION CRIMP WIDTH = 4.50  
MAX. INSULATION CRIMP HEIGHT = 4.50  
MAX. INSULATION DIA. = 4.09 (10 GA THIN WALL)
- ⑦ USE WITH FOLLOWING APPLICABLE COMPONENTS AS NOTED:  
CAVITY PLUS FCI P/N 54200005 (CHRYSLER P/N 56038308)  
DOUBLE X-MAS TREE CLIP CHRYSLER P/N 04707091  
SINGLE X-MAS TREE CLIP CHRYSLER P/N 04625797  
DOUBLE X-MAS TREE CLIP WITH FORWARD STOP FCI P/N 54200010  
2.80MM APEX MALE TERM C15005-CUST SYM. ABOUT CENTERLINE FOR 180° ORIENTATION
- ⑧ DIRECT CONNECT INTERFACE PER FCI G3610 (CHRYSLER 04707028)
- ⑨ TEST METHOD PER CHRYSLER PERFORMANCE SPEC# PF-9600, CONNECTOR ENGAGE & DISENGAGE WITH LATCH DEPRESSED FORCE NOT TO EXCEED 120N. FOR THIS SYSTEM  
WEDGE SEATING FORCES - 100 N. MAX  
X-MAS TREE CLIP INSERTION FORCES - 75 N. MAX
- ⑩ SUPPLIER, MOLD & CAVITY I.D. SIGNIFIES TOOL OWNERSHIP, FOR REFERENCE
- ⑪ ANNUAL QUALITY REQUIREMENTS:  
IT IS PERMISSIBLE TO PERFORM ANNUAL CONTINUOUS CONFORMANCE PER FCI SPECIFICATION 80A0-001 INSTEAD OF ANNUAL LAYOUT & ANNUAL PV REQUIREMENTS OF QS-9000 SECTION 2 & SAE/USCAR-2 REV 5  
ALL NON-REFERENCE DIMENSIONS ARE REQUIRED  
- USE INDEX A, BLACK SEALED AND UNSEALED FOR ALL AFFECTED INSULATOR CAVITIES  
- CURRENT PRODUCTION TOOLING  
- POINT OF LAST RUN  
SERVICE TOOLING GUIDE INFORMATION PER APEX TRAINING MANUAL MUST CONFORM TO THE FOLLOWING CHRYSLER /YNA STANDARDS:  
PF-9600 PERFORMANCE (CHRYSLER) EXCEPT AS NOTED ABOVE  
PS-7300 QUALITY ASSURANCE (CHRYSLER)  
MS-9502 SEAL APPL. 150° C  
MS-8288 SEDL APPL. 125° C  
PS-9227 DATA EXCHANGE (CHRYSLER), (GD09-7 YNA)  
PS-10052 INFORMATION SECURITY (CHRYSLER)
- ⑫ THIS DRAWING (H59015) REPLACES CHRYSLER DRAWING 04687873 LEVEL "N"  
CHRYSLER DRAWING NUMBER IS FOR REFERENCE ONLY (NOT AVAILABLE)

12-00659	ALL	REVISED & REDRAWN IN PDS. SEE REV Q1 FOR PREVIOUS CHANGES NOTES AND ASSEMBLY P/N CHARTS UPDATED
ENR-NO.	ZONE	CHANGE DESCRIPTION
PROJECT SPEC	PACKAGE SPEC	APPLICATION SPEC
DO NOT REUSE DRAWING	DATE	NAME
DESIGNED BY	DATE	NAME
APPROVED BY	DATE	NAME
FILE NAME	11250115	

Компания «Life Electronics» занимается поставками электронных компонентов импортного и отечественного производства от производителей и со складов крупных дистрибьюторов Европы, Америки и Азии.

С конца 2013 года компания активно расширяет линейку поставок компонентов по направлению коаксиальный кабель, кварцевые генераторы и конденсаторы (керамические, пленочные, электролитические), за счёт заключения дистрибьюторских договоров

Мы предлагаем:

- Конкурентоспособные цены и скидки постоянным клиентам.
- Специальные условия для постоянных клиентов.
- Подбор аналогов.
- Поставку компонентов в любых объемах, удовлетворяющих вашим потребностям.
- Приемлемые сроки поставки, возможна ускоренная поставка.
- Доставку товара в любую точку России и стран СНГ.
- Комплексную поставку.
- Работу по проектам и поставку образцов.
- Формирование склада под заказчика.
- Сертификаты соответствия на поставляемую продукцию (по желанию клиента).
- Тестирование поставляемой продукции.
- Поставку компонентов, требующих военную и космическую приемку.
- Входной контроль качества.
- Наличие сертификата ISO.

В составе нашей компании организован Конструкторский отдел, призванный помогать разработчикам, и инженерам.

Конструкторский отдел помогает осуществить:

- Регистрацию проекта у производителя компонентов.
- Техническую поддержку проекта.
- Защиту от снятия компонента с производства.
- Оценку стоимости проекта по компонентам.
- Изготовление тестовой платы монтаж и пусконаладочные работы.



Тел: +7 (812) 336 43 04 (многоканальный)  
Email: [org@lifeelectronics.ru](mailto:org@lifeelectronics.ru)