



Overvoltage Protector with Active Current Limit

General Description

The MAX4978–MAX4981 overvoltage-protection devices protect low-voltage systems against voltage faults up to +28V and feature a low 85mΩ R_{ON} FET, an active current limiter, and lithium-ion battery overcharge protection (MAX4980/MAX4981). These devices are used to protect the charger input port on a portable device.

The overvoltage protector feature protects against voltages up to 28V with two different trip thresholds: 5.7V (MAX4978/MAX4980/MAX4981) and 6.8V (MAX4979). There is an undervoltage protector with two different trip thresholds: 4.4V (MAX4978) and 2.63V (MAX4979/MAX4980/MAX4981).

The overcurrent limiter and battery voltage monitor features provide a second layer of protection for a lithium-ion battery charger. The overcurrent limiter is available in two different thresholds: 0.9A (MAX4978/MAX4979/MAX4980) and 1.95A (MAX4981). Once current reaches the threshold, it is held for a 20ms blanking time. If the current is still at the limit after the blanking time, the FET is turned off, and the device restarts the cycle after 160ms. The battery voltage monitor measures the voltage of a lithium-ion battery and disables the FET if the battery voltage reaches 4.4V (MAX4980/MAX4981).

The MAX4978–MAX4981 are available in a small 8-pin TDFN (2mm x 3mm) package and are specified over the extended -40°C to +85°C temperature range.

Applications

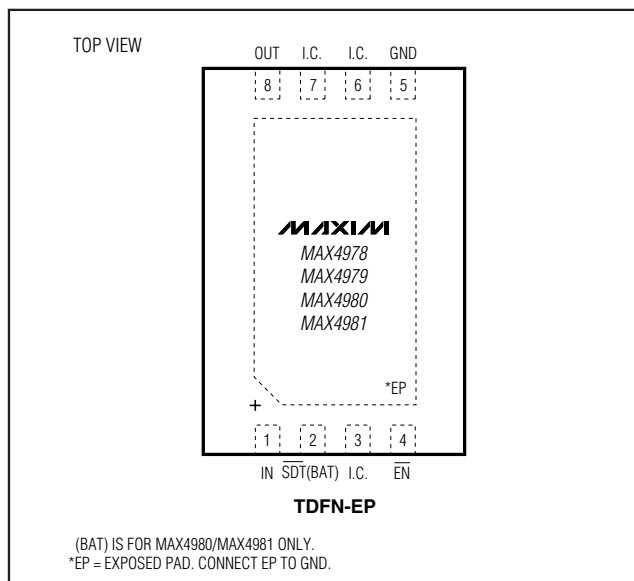
| | |
|-----------------------|-------------------|
| Cell Phones | PDA's and Palmtop |
| MP3 Players | Devices |
| Digital Still Cameras | |

Typical Application Circuit appears at end of data sheet.

Features

- ◆ Input Voltage Protection Up to +28V
- ◆ Integrated nFET Switch, 85mΩ (typ)
- ◆ Preset Overvoltage Protection Trip Level
5.7V (typ) (MAX4978/MAX4980/MAX4981)
6.8V (typ) (MAX4979)
- ◆ Low-Current Undervoltage Lockout Mode
- ◆ Overcurrent Protection
- ◆ Internal 160ms (typ) Startup Delay
- ◆ Thermal-Shutdown Protection
- ◆ Battery Overcharge Protection (MAX4980/MAX4981)
- ◆ Startup Debounce Time Indicator (MAX4978/MAX4979)
- ◆ Small, 8-Pin (2mm x 3mm) TDFN Package

Pin Configuration



MAX4978-MAX4981

Ordering Information/Selector Guide

| PART | PIN-PACKAGE | CURRENT LIMIT (mA) | BATTERY MONITOR | UVLO (V) | OVLO (V) | TOP MARK | PKG CODE |
|---------------|-------------|--------------------|-----------------|----------|----------|----------|----------|
| MAX4978ETA+ | 8 TDFN-EP* | 900 | No | 4.4 | 5.7 | AAK | T823-1 |
| MAX4979ETA+** | 8 TDFN-EP* | 900 | No | 2.63 | 6.8 | AAL | T823-1 |
| MAX4980ETA+ | 8 TDFN-EP* | 900 | Yes | 2.63 | 5.7 | AAM | T823-1 |
| MAX4981ETA+ | 8 TDFN-EP* | 1950 | Yes | 2.63 | 5.7 | AAN | T823-1 |

Note: All devices specified over the -40°C to +85°C operating temperature range.

+Denotes a lead-free package.

*EP = Exposed pad.

**Future product—contact factory for availability.



Maxim Integrated Products 1

For pricing, delivery, and ordering information, please contact Maxim Direct at 1-888-629-4642, or visit Maxim's website at www.maxim-ic.com.

Overvoltage Protector with Active Current Limit

ABSOLUTE MAXIMUM RATINGS

(Voltages referenced to GND.)

| | |
|---|---------------|
| IN, SDT | -0.3V to +30V |
| OUT | -0.3V to IN |
| EN, BAT | -0.3V to +6V |
| SDT Continuous Current | ±50mA |
| Continuous Power Dissipation (T _A = +70°C) | |
| 8-Pin 2mm x 3mm TDFN (derate 16.7mW/°C above +70°C) | 1333mW |

| | |
|--|-----------------|
| Junction-to-Case Thermal Resistance (θ _{JC}) (Note 1) | |
| 8-Pin 2mm x 3mm TDFN | 10.8°C/W |
| Junction-to-Ambient Thermal Resistance (θ _{JA}) (Note 1) | |
| 8-Pin 2mm x 3mm TDFN | 60°C/W |
| Operating Temperature Range | -40°C to +85°C |
| Junction Temperature | +150°C |
| Storage Temperature Range | -65°C to +150°C |
| Lead Temperature (soldering, 10s) | +300°C |

Note 1: Package thermal resistances were obtained using the method described in JEDEC specification JESD51-7, using a 4-layer board. For detailed information on package thermal considerations, refer to www.maxim-ic.com/thermal-tutorial.

Stresses beyond those listed under "Absolute Maximum Ratings" may cause permanent damage to the device. These are stress ratings only, and functional operation of the device at these or any other conditions beyond those indicated in the operational sections of the specifications is not implied. Exposure to absolute maximum rating conditions for extended periods may affect device reliability.

ELECTRICAL CHARACTERISTICS

(V_{IN} = 5.0V, V_{EN} = 0V, T_A = -40°C to +85°C, unless otherwise noted. Typical values are at T_A = +25°C.) (Note 2)

| PARAMETER | SYMBOL | CONDITIONS | MIN | TYP | MAX | UNITS | |
|------------------------------------|-------------------|--|---------------------------------|------|------|-------|----|
| Input Voltage Range | V _{IN} | | 2.3 | | 28 | V | |
| Input Supply Current | I _{IN} | I _{OUT} < I _{LIM_MIN} | | 130 | 190 | μA | |
| UVLO Supply Current | I _{UVLO} | V _{IN} = 2.3V | | 35 | 60 | μA | |
| Shutdown Supply Current | I _{SHDN} | V _{EN} = 5V | | 15 | 23 | μA | |
| IN Undervoltage Lockout | V _{UVLO} | MAX4978 | V _{IN} falling | 4.2 | | | V |
| | | | V _{IN} rising | 4.3 | 4.4 | 4.5 | |
| | | MAX4979/MAX4980/ MAX4981 | V _{IN} falling | 2.5 | | | |
| | | | V _{IN} rising | 2.56 | 2.63 | 2.70 | |
| IN Undervoltage Lockout Hysteresis | | | 1 | | | % | |
| IN Overvoltage Lockout | V _{OVLO} | MAX4978/MAX4980/ MAX4981 | V _{IN} falling | 5.5 | | | V |
| | | | V _{IN} rising | 5.6 | 5.7 | 5.8 | |
| | | MAX4979 | V _{IN} falling | 6.5 | | | |
| | | | V _{IN} rising | 6.65 | 6.80 | 6.95 | |
| IN Overvoltage Lockout Hysteresis | | | 1 | | | % | |
| BAT Overvoltage Trip Level | V _{BOTL} | MAX4980/MAX4981, V _{BAT} rising | 4.3 | 4.4 | 4.5 | V | |
| BAT Overvoltage Hysteresis | | MAX4980/MAX4981 | | 1 | | % | |
| BAT Input Leakage Current | I _{LKGB} | MAX4980/MAX4981, V _{BAT} = 4.2V | | | 1 | μA | |
| Switch On-Resistance | R _{ON} | I _{OUT} = 100mA | | 85 | 160 | mΩ | |
| Overcurrent Protection Threshold | I _{LIM} | MAX4978, MAX4979, MAX4980 | T _A = +25°C | 850 | 900 | 950 | mA |
| | | | T _A = 0°C to +85°C | 800 | | 1000 | |
| | | | T _A = -40°C to +0°C | 780 | | 1000 | |
| | | MAX4981 | T _A = +25°C | 1850 | 1950 | 2050 | |
| | | | T _A = -40°C to +85°C | 1750 | 1950 | 2150 | |
| Thermal Shutdown | T _{SHDN} | T _A rising | | 160 | | °C | |

Overvoltage Protector with Active Current Limit

MAX4978-MAX4981

ELECTRICAL CHARACTERISTICS (continued)

($V_{IN} = 5.0V$, $V_{\overline{EN}} = 0V$, $T_A = -40^{\circ}C$ to $+85^{\circ}C$, unless otherwise noted. Typical values are at $T_A = +25^{\circ}C$.) (Note 2)

| PARAMETER | SYMBOL | CONDITIONS | MIN | TYP | MAX | UNITS |
|---------------------------------------|-------------|---|-----|-----|-----|-------------|
| Thermal-Shutdown Hysteresis | | | | 10 | | $^{\circ}C$ |
| \overline{EN} Input High Voltage | V_{IH} | | 1.5 | | | V |
| \overline{EN} Input Low Voltage | V_{IL} | | | | 0.6 | V |
| \overline{EN} Input Leakage Current | I_{LKGE} | $V_{\overline{EN}} = 5.5V$ or $0V$ | -1 | | +1 | μA |
| \overline{SDT} Output Low Voltage | V_{OL} | MAX4978/MAX4979, $I_{SINK} = 20mA$ | | | 1 | V |
| \overline{SDT} Leakage Current | I_{LKGS} | MAX4978/MAX4979, $V_{\overline{SDT}} = 28V$, \overline{SDT} deasserted | | | 1 | μA |
| DYNAMIC (Note 3) | | | | | | |
| IN Debounce Time | t_{DEB} | $V_{UVLO} < V_{IN} < V_{OVLO}$ to charge-pump enable, Figure 1 | 120 | 160 | 200 | ms |
| Switch Turn-On Time | t_{ON} | Time from $V_{OUT} = 10\%$ of V_{IN} to $V_{OUT} = 90\%$ of V_{IN} , $R_L = 10\Omega$, $C_L = 10\mu F$ | | 1.5 | | ms |
| Switch Turn-Off Time | t_{OFF} | $V_{IN} < V_{UVLO}$ or $V_{IN} > V_{OVLO}$ to internal switch off, $R_L = 1k\Omega$ | | 5 | 15 | μs |
| Current-Limit Blanking Time | t_{BLANK} | Short circuit applied, Figure 1 | 15 | 20 | 25 | ms |
| Current-Limit Reaction Time | t_{REAC} | Short circuit applied | | 5 | | μs |
| Overcurrent Autoretry Time | t_{RETRY} | Figure 1 | 120 | 160 | 200 | ms |

Note 2: All devices are 100% production tested at $T_A = +25^{\circ}C$. Specifications over $-40^{\circ}C$ to $+85^{\circ}C$ are guaranteed by design.

Note 3: All timing is measured using 10% and 90% levels, unless otherwise noted.

Overshoot Protector with Active Current Limit

Timing Diagram

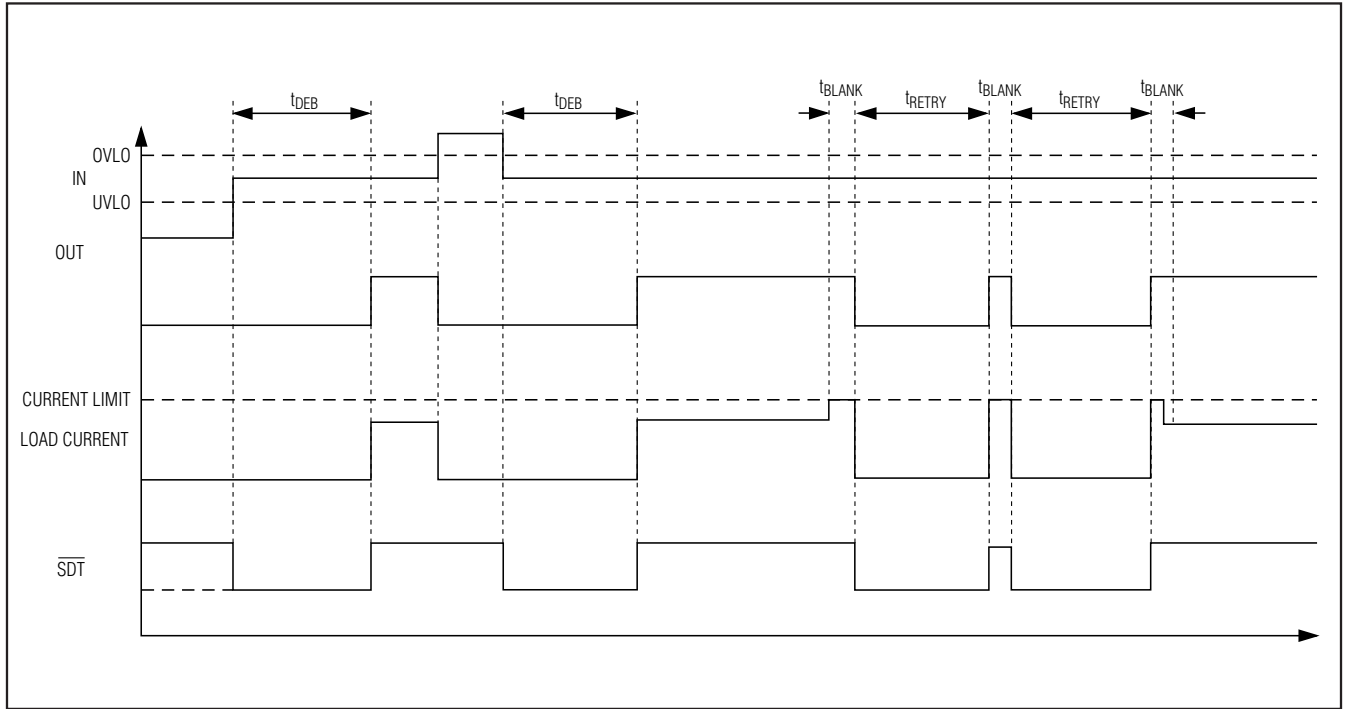


Figure 1. Timing Diagram

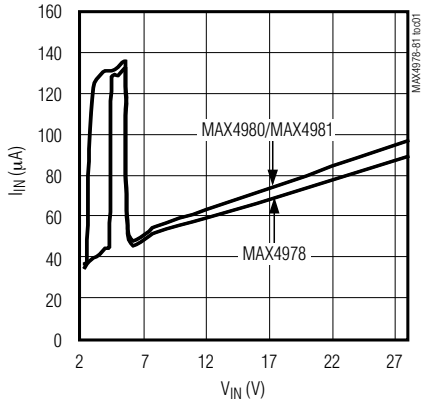
Overshoot Protector with Active Current Limit

Typical Operating Characteristics

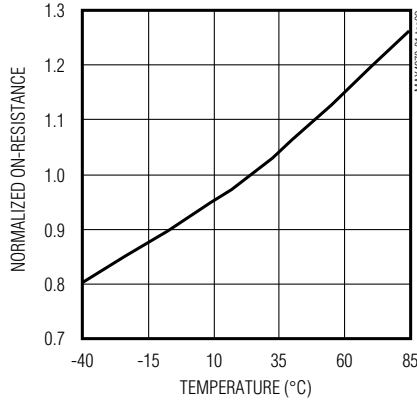
($V_{IN} = 5.0V$, $\overline{EN} = GND$, $T_A = +25^\circ C$, unless otherwise noted.)

MAX4978-MAX4981

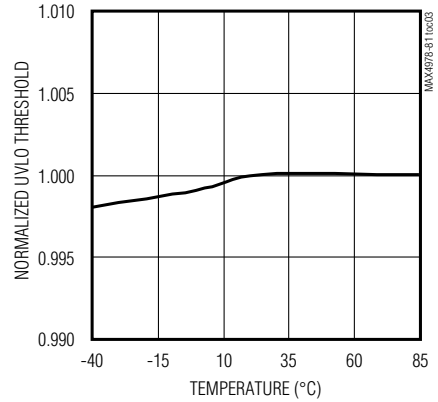
SUPPLY CURRENT vs. SUPPLY VOLTAGE



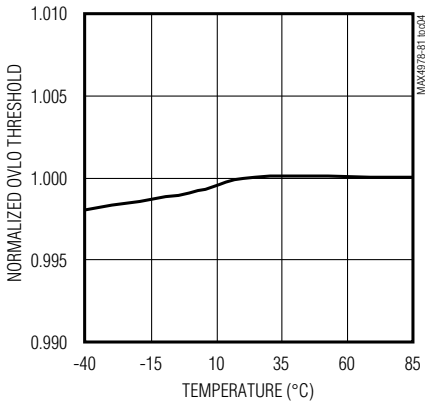
NORMALIZED ON-RESISTANCE vs. TEMPERATURE



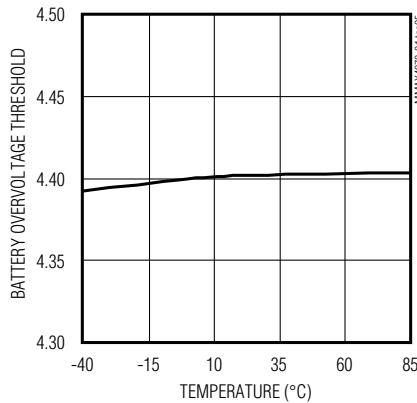
NORMALIZED UVLO THRESHOLD vs. TEMPERATURE



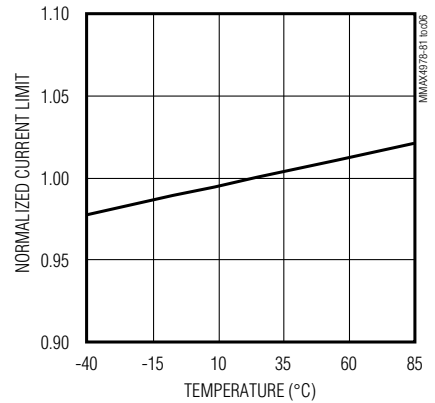
NORMALIZED OVLO THRESHOLD vs. TEMPERATURE



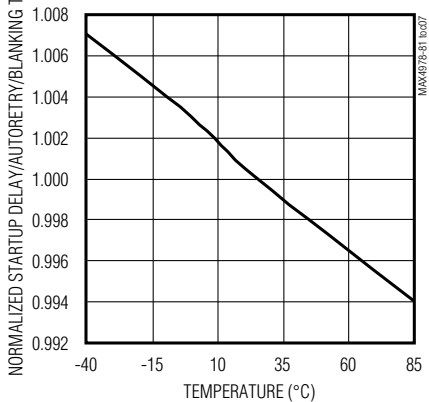
BATTERY OVERVOLTAGE THRESHOLD vs. TEMPERATURE



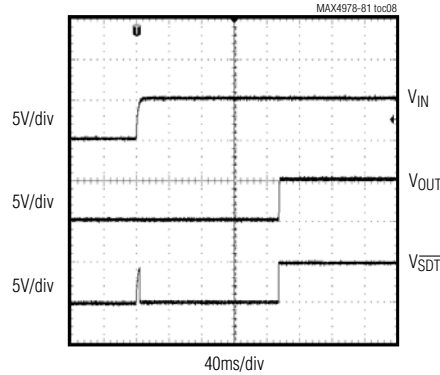
NORMALIZED CURRENT LIMIT vs. TEMPERATURE



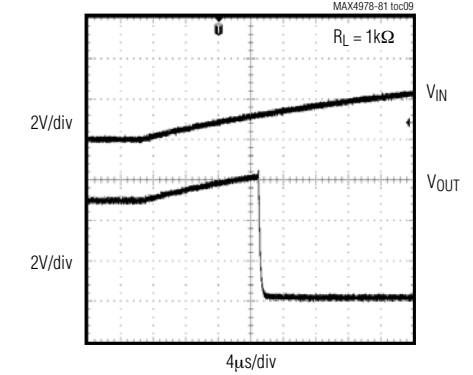
NORMALIZED STARTUP DELAY/AUTORETRY/BLANKING TIME vs. TEMPERATURE



POWER-UP RESPONSE



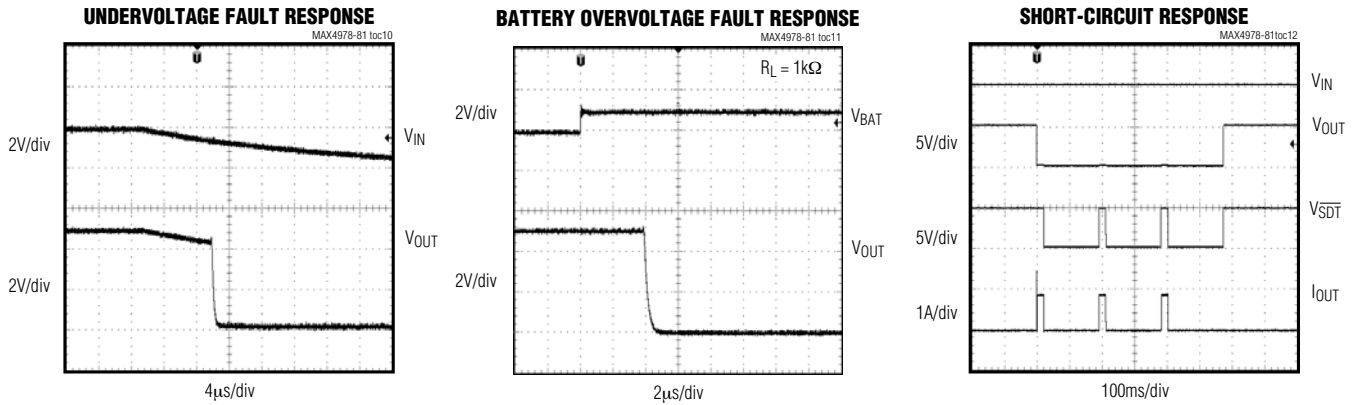
OVERVOLTAGE FAULT RESPONSE



Overvoltage Protector with Active Current Limit

Typical Operating Characteristics (continued)

($V_{IN} = 5.0V$, $\overline{EN} = GND$, $T_A = +25^\circ C$, unless otherwise noted.)



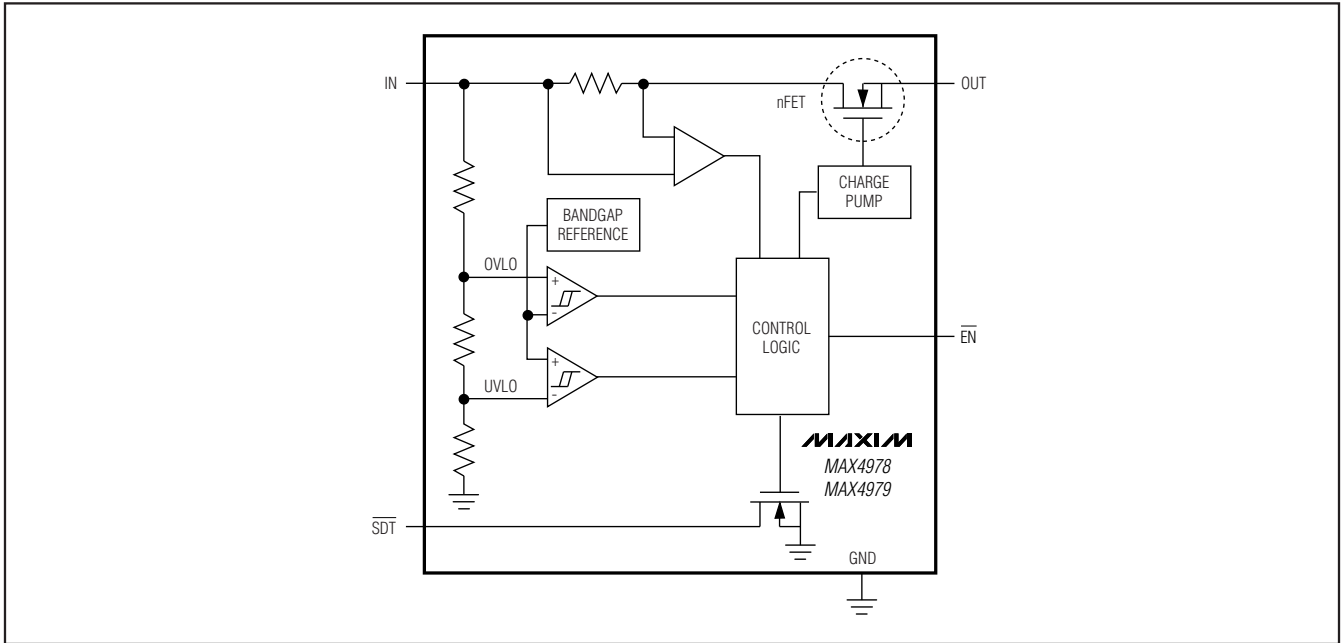
Pin Description

| PIN | | NAME | FUNCTION |
|---------------------|---------------------|------------------|--|
| MAX4978/ MAX4979 | MAX4980/ MAX4981 | | |
| 1 | 1 | IN | Supply Voltage Input. IN powers the charge pump required to turn on the internal FET. When the correct adapter is plugged in, a 160ms debounce timer prevents a false turn-on of the internal FET. Bypass IN to GND with a 1 μ F ceramic capacitor as close to the device as possible to enable $\pm 15kV$ (HBM) ESD protection. |
| 2 | — | \overline{SDT} | Startup Debounce Time Indicator. \overline{SDT} is an active-low open-drain output that asserts low during the debounce/autoretry time. |
| — | 2 | BAT | Battery Monitor Input. Connect BAT to Li-ion battery terminal. Bypass BAT to GND with a 1 μ F ceramic capacitor as close to the device as possible to enable $\pm 15kV$ (HBM) ESD protection. |
| 3, 6, 7 | 3, 6, 7 | I.C. | Internally Connected. Connect I.C. to GND. |
| 4 | 4 | \overline{EN} | Active-Low Enable Input. Drive \overline{EN} low for normal operation. Drive \overline{EN} high to disable the device. |
| 5 | 5 | GND | Ground |
| 8 | 8 | OUT | Output Voltage. Output of internal FET. |
| — | — | EP | Exposed Pad. Internally connected to GND. Connect EP to a large ground plane to maximize thermal performance. Do not use EP as the sole GND connection. |

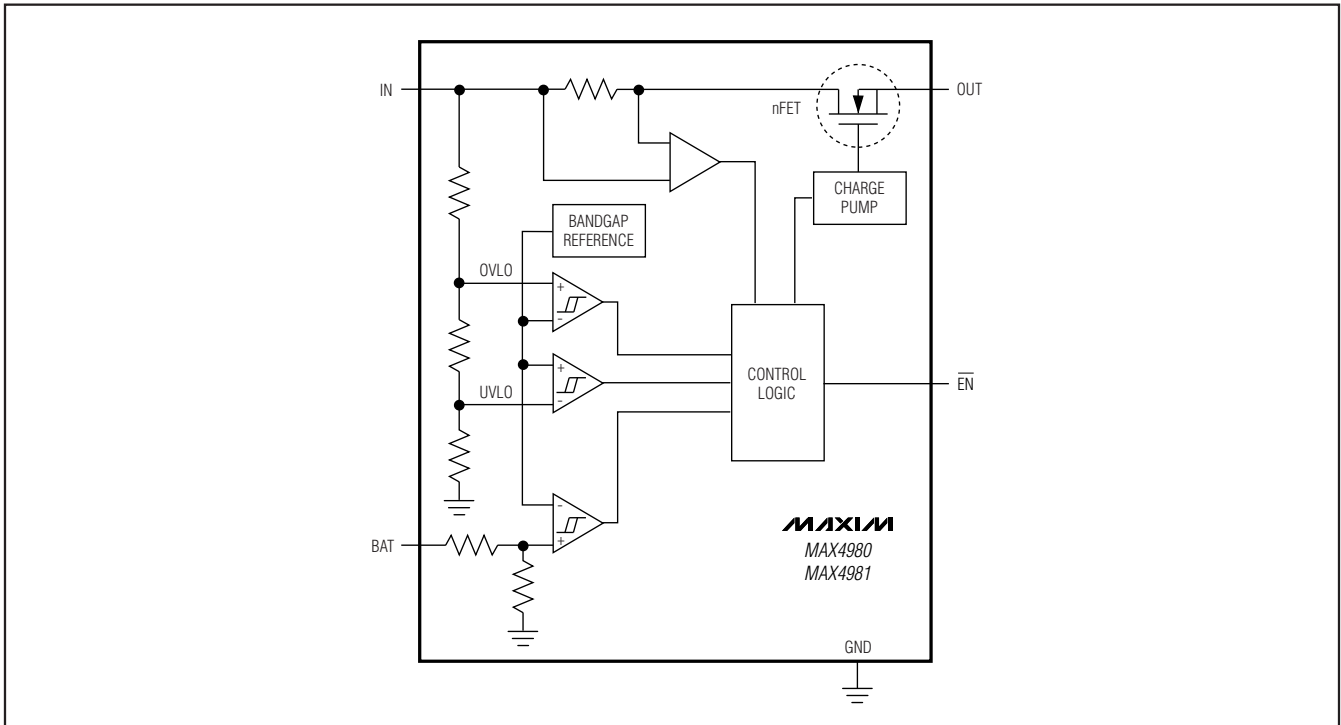
Overvoltage Protector with Active Current Limit

MAX4978/MAX4979 Functional Diagram

MAX4978-MAX4981



MAX4980/MAX4981 Functional Diagram



Overvoltage Protector with Active Current Limit

Detailed Description

The MAX4978–MAX4981 family of devices is a combination of an overvoltage protector, overcurrent limiter, and lithium-ion battery overcharge protector (MAX4980/MAX4981). These devices feature a low $85\text{m}\Omega$ (typ) R_{ON} FET and are used to protect the charger input port on a portable device. If the input voltage exceeds the overvoltage threshold (OVLO) or falls below the undervoltage threshold (UVLO), the FET is turned off to prevent damage to the protected components. The internal charge pump's 160ms debounce time prevents false turn-on of the internal FET during startup. $\overline{\text{SDT}}$ is an active-low open-drain output that asserts low during the debounce time after a valid voltage is applied to the input (MAX4978/MAX4979).

The MAX4978–MAX4981 feature an overcurrent limiter as a second layer of protection for a lithium-ion battery charger that limits current to a 900mA (MAX4978/MAX4979/MAX4980) or 1950mA (MAX4981) threshold for a 20ms blanking time. At the end of the blanking time, if current is still at the threshold, the FET is turned off and the device restarts the cycle after 160ms. The battery voltage monitor measures the voltage of a lithium-ion battery and disables the FET if the battery voltage exceeds 4.4V (MAX4980/MAX4981).

Autoretry

When the current-limit threshold is reached, the t_{BLANK} timer begins counting. The timer resets if the overcurrent condition disappears before t_{BLANK} has elapsed. A retry time delay, t_{RETRY} , is started immediately after t_{BLANK} has elapsed and during that time, the FET is off. At the end of t_{RETRY} , the FET is turned on again. If the fault still exists, the cycle is repeated. If the fault has been removed, the FET stays on.

Undervoltage Lockout (UVLO)

The MAX4978 has a 4.4V UVLO threshold, while the MAX4979/MAX4980/MAX4981 have a 2.63V UVLO threshold. When an undervoltage lockout condition occurs with high load current, the voltage at the input to the UVLO comparator may recover due to internal parasitic resistance causing the device to restart.

Overvoltage Lockout (OVLO)

The MAX4979 has a 6.8V OVLO threshold, while the MAX4978/MAX4980/MAX4981 have a 5.7V OVLO threshold.

Battery Overcharge Protector (MAX4980/MAX4981)

The MAX4980/MAX4981 feature a battery overcharge protection input (BAT) that triggers a voltage fault, turning off the FET, when V_{BAT} exceeds 4.4V.

Startup Debounce Time Indicator ($\overline{\text{SDT}}$) (MAX4978/MAX4979)

$\overline{\text{SDT}}$ is an open-drain output that asserts low during the startup debounce time and during the autoretry time. $\overline{\text{SDT}}$ returns to high impedance once the charge pump turns on. This feature is useful for discharging the AC adapter capacitance during the startup debounce time (Figures 1, 2).

Thermal Shutdown Protection

The MAX4978–MAX4981 have a thermal-shutdown feature to protect the devices from overheating. The device immediately turns off when the junction temperature exceeds $+160^{\circ}\text{C}$ (typ). These devices exit thermal shutdown after the junction temperature cools by 10°C (typ).

$\overline{\text{EN}}$ Input

$\overline{\text{EN}}$ is an active-low enable input. Drive $\overline{\text{EN}}$ low for normal operation. Drive $\overline{\text{EN}}$ high to disable the device.

Applications Information

IN Bypass Capacitor

For most applications, bypass IN to GND with a $1\mu\text{F}$ ceramic capacitor as close to the device as possible to enable $\pm 15\text{kV}$ (HBM) ESD protection on IN. If the power source has significant inductance due to long lead length, take care to prevent overshoots due to the LC tank circuit and provide protection if necessary to prevent exceeding the 30V absolute maximum rating on IN.

BAT Bypass Capacitor

For most applications, bypass BAT to GND with a $1\mu\text{F}$ ceramic capacitor as close to the device as possible to enable $\pm 15\text{kV}$ (HBM) ESD protection on BAT. If high ESD protection is not necessary, no capacitor is required on BAT.

ESD Test Conditions

ESD performance depends on a number of conditions. The MAX4978–MAX4981 are specified for $\pm 15\text{kV}$ (HBM) typical ESD resistance on IN and BAT when IN and BAT are bypassed to ground with a $1\mu\text{F}$ low ESR ceramic capacitor. Contact Maxim for a reliability report that documents test setup, methodology, and results.

Overvoltage Protector with Active Current Limit

MAX4978-MAX4981

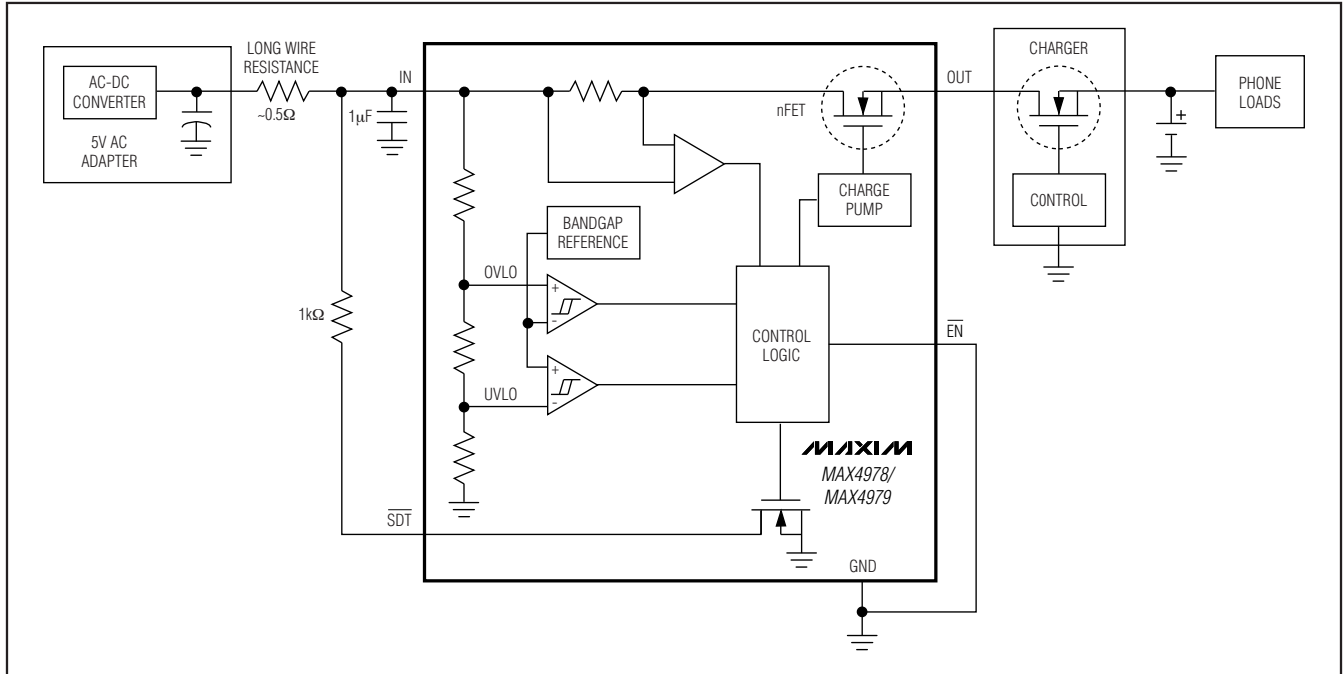


Figure 2. Typical Application Circuit with \overline{SDT}

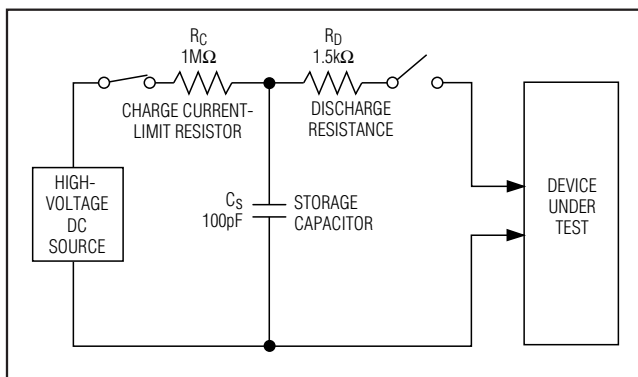


Figure 3. Human Body ESD Test Model

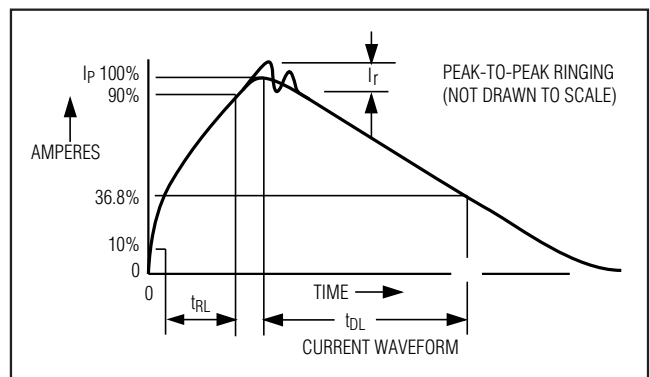


Figure 4. Human Body Current Waveform

Human Body Model

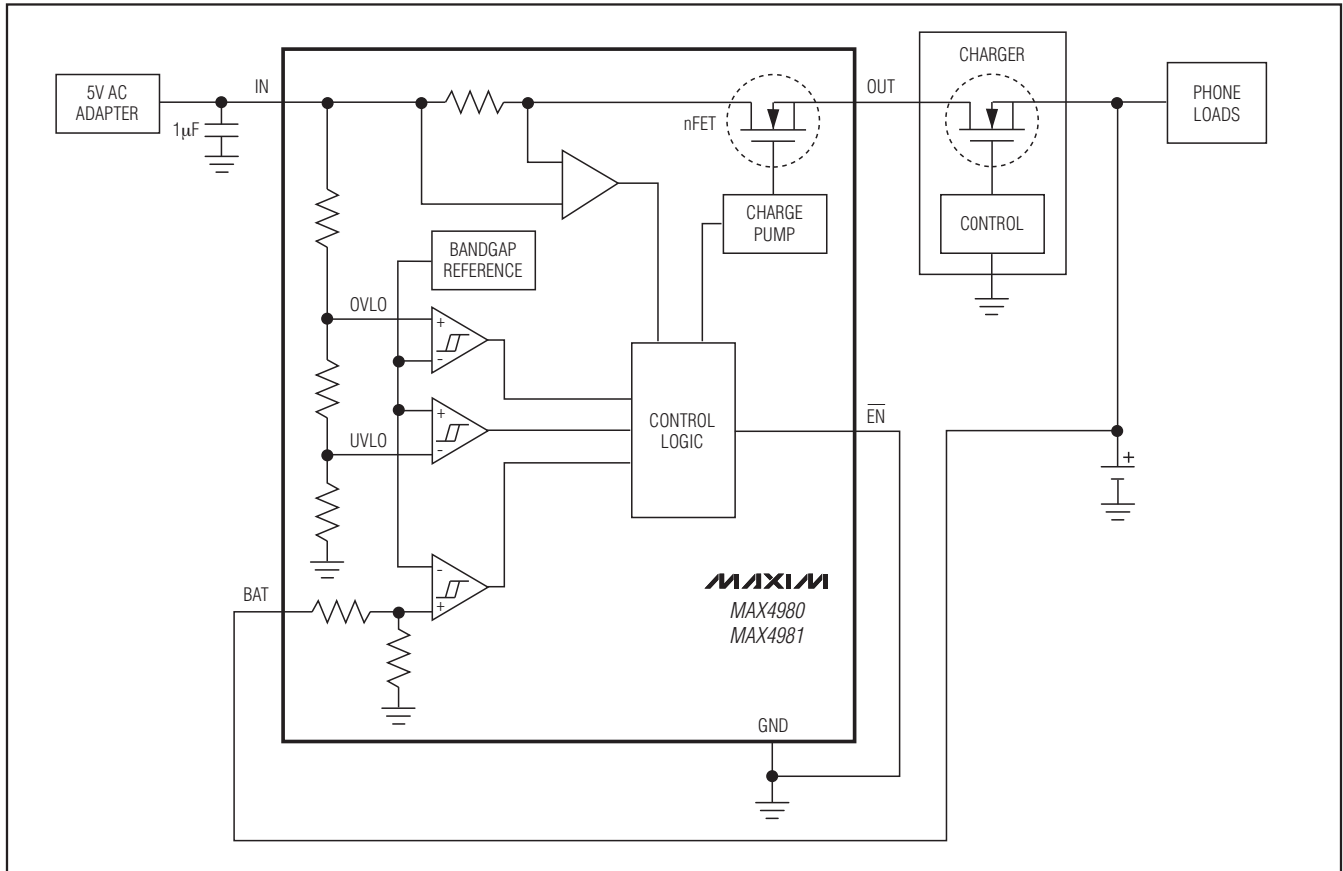
Figure 3 shows the Human Body Model, and Figure 4 shows the current waveform it generates when discharged into a low impedance. This model consists of a 100pF capacitor charged to the ESD voltage of interest that is then discharged into the device through a 1.5kΩ resistor.

Chip Information

PROCESS: BiCMOS

Overvoltage Protector with Active Current Limit

Typical Application Circuit



Package Information

For the latest package outline information and land patterns, go to www.maxim-ic.com/packages.

| PACKAGE TYPE | PACKAGE CODE | DOCUMENT NO. |
|--------------|--------------|-------------------------|
| 8 TDFN-EP | T823-1 | 21-0174 |

Maxim cannot assume responsibility for use of any circuitry other than circuitry entirely embodied in a Maxim product. No circuit patent licenses are implied. Maxim reserves the right to change the circuitry and specifications without notice at any time.

10 **Maxim Integrated Products, 120 San Gabriel Drive, Sunnyvale, CA 94086 408-737-7600**

Компания «Life Electronics» занимается поставками электронных компонентов импортного и отечественного производства от производителей и со складов крупных дистрибьюторов Европы, Америки и Азии.

С конца 2013 года компания активно расширяет линейку поставок компонентов по направлению коаксиальный кабель, кварцевые генераторы и конденсаторы (керамические, пленочные, электролитические), за счёт заключения дистрибьюторских договоров

Мы предлагаем:

- Конкурентоспособные цены и скидки постоянным клиентам.
- Специальные условия для постоянных клиентов.
- Подбор аналогов.
- Поставку компонентов в любых объемах, удовлетворяющих вашим потребностям.
- Приемлемые сроки поставки, возможна ускоренная поставка.
- Доставку товара в любую точку России и стран СНГ.
- Комплексную поставку.
- Работу по проектам и поставку образцов.
- Формирование склада под заказчика.
- Сертификаты соответствия на поставляемую продукцию (по желанию клиента).
- Тестирование поставляемой продукции.
- Поставку компонентов, требующих военную и космическую приемку.
- Входной контроль качества.
- Наличие сертификата ISO.

В составе нашей компании организован Конструкторский отдел, призванный помогать разработчикам, и инженерам.

Конструкторский отдел помогает осуществить:

- Регистрацию проекта у производителя компонентов.
- Техническую поддержку проекта.
- Защиту от снятия компонента с производства.
- Оценку стоимости проекта по компонентам.
- Изготовление тестовой платы монтаж и пусконаладочные работы.



Тел: +7 (812) 336 43 04 (многоканальный)

Email: org@lifeelectronics.ru