

Resin Sealed Bolt-in Filters



These filters are easily mounted in a tapped hole or through-hole with supplied nut and lock-washer. The rugged case with resin seals at both ends provides excellent environmental protection. Primarily used in filtering signal/data lines and DC power lines.

Features

- Wide range of sizes: 4-40 thread through 5/16-24 thread
- Voltage ratings to 500 VDC/220 VAC (400 Hz)
- MIL-F-15733 QPL filters available
- Multiple circuit configurations: C, L and Pi
- Metric threaded filters available, consult factory

4-40 C Circuit



Figure 1



Figure 2



Figure 3



Figure 4

Dimensions in inches (mm)

Resin Sealed Bolt-in Filters

4-40 C Circuit

| Part Number | See Pg. LP12 for Fig. | Rated Voltage 125°C | | I Amp | Min Cap | A | | Minimum Insertion Loss (dB) | | | | | | | |
|-------------------|-----------------------|---------------------|-----|-------|--------------|-------|---------|-----------------------------|-----|-----|-----|-----|-----|-----|-----|
| | | DC | AC | | | In | (mm) | 1 | 3 | 10 | 30 | 100 | 300 | 1 | 10 |
| | | | | | | | | MHz | MHz | MHz | MHz | MHz | MHz | GHz | GHz |
| † SCI-9110-100 | 3 | 50 | — | 10 | 10 pF | 0.032 | (0.81) | — | — | — | — | — | — | 10 | 10 |
| † 9900-381-6004 | 2 | 50 | — | 10 | 5000 pF | — | — | — | — | 15 | 22 | 30 | 35 | 45 | 55 |
| 9900-381-6026 | 2 | 50 | — | 10 | 0.031 µF | — | — | 12 | 20 | 25 | 35 | 40 | 45 | 55 | 60 |
| † 9900-381-6006 | 2 | 50 | — | 10 | 0.045 µF | — | — | 14 | 22 | 30 | 40 | 45 | 50 | 55 | 60 |
| † 54-790-023 | 1 | 100 | — | 10 | 0.050 µF | — | — | 15 | 24 | 34 | 41 | 45 | 50 | 60 | 60 |
| † 54790001X5F101M | 1 | 100 | — | 10 | 100 pF ± 20% | — | — | — | — | — | — | — | 10 | 20 | 25 |
| 54-790-019 | 1 | 100 | — | 10 | 2700 pF | — | — | — | — | 9 | 18 | 27 | 33 | 35 | 35 |
| 9900-381-6013 | 2 | 100 | — | 10 | 2700 pF | — | — | — | — | 10 | 18 | 25 | 33 | 40 | 50 |
| 54-790-020 | 1 | 100 | — | 10 | 5600 pF | — | — | — | — | 15 | 24 | 33 | 37 | 40 | 40 |
| SCI-9112-273 | 3 | 100 | — | 3 | 0.027 µF | 0.016 | (0.41)* | 10 | 20 | 30 | 37 | 45 | 45 | 55 | 60 |
| SCI-9110-273 | 3 | 100 | — | 10 | 0.027 µF | 0.020 | (0.51) | 10 | 20 | 30 | 37 | 45 | 45 | 55 | 60 |
| 54-790-022 | 1 | 100 | — | 10 | 0.027 µF | — | — | 10 | 20 | 30 | 37 | 45 | 50 | 55 | 60 |
| † SCI-9112-503 | 3 | 100 | — | 3 | 0.05 µF | 0.016 | (0.41)* | 15 | 24 | 35 | 41 | 45 | 50 | 60 | 60 |
| SCI-9110-503 | 3 | 100 | — | 10 | 0.05 µF | 0.020 | (0.51) | 15 | 24 | 35 | 41 | 45 | 50 | 60 | 60 |
| 54-862-001 | 4 | 200 | — | 10 | 10 pF | — | — | — | — | — | — | — | — | 10 | 10 |
| 54-862-002 | 4 | 200 | — | 10 | 100 pF | — | — | — | — | — | — | 3 | 10 | 20 | 28 |
| 54-862-003 | 4 | 200 | — | 10 | 1000 pF | — | — | — | — | — | — | 15 | 25 | 35 | 40 |
| † 9900-381-6020 | 2 | 200 | — | 10 | 100 pF | — | — | — | — | — | — | 3 | 10 | 20 | 28 |
| SCI-9122-101 | 3 | 200 | 115 | 3 | 100 pF | 0.016 | (0.41)* | — | — | — | — | — | 10 | 20 | 20 |
| SCI-9120-101 | 3 | 200 | 115 | 10 | 100 pF | 0.020 | (0.51) | — | — | — | — | — | 10 | 20 | 20 |
| 9900-381-6021 | 2 | 200 | — | 10 | 500 pF | — | — | — | — | — | — | 15 | 20 | 35 | 40 |
| SCI-9122-102 | 3 | 200 | 115 | 3 | 1000 pF | 0.016 | (0.41)* | — | — | — | 11 | 20 | 28 | 28 | 40 |
| SCI-9120-102 | 3 | 200 | 115 | 10 | 1000 pF | 0.020 | (0.51) | — | — | — | 11 | 20 | 28 | 28 | 40 |
| † 9900-381-6022 | 2 | 200 | — | 10 | 1200 pF | — | — | — | — | 5 | 9 | 20 | 28 | 35 | 45 |
| SCI-9122-502 | 3 | 200 | 115 | 3 | 5000 pF | 0.016 | (0.41)* | — | — | 15 | 24 | 33 | 37 | 40 | 50 |
| SCI-9120-502 | 3 | 200 | 115 | 10 | 5000 pF | 0.020 | (0.51) | — | — | 15 | 24 | 33 | 37 | 40 | 50 |
| SCI-9122-103 | 3 | 200 | 115 | 3 | 0.01 µF | 0.016 | (0.41)* | — | 12 | 20 | 29 | 38 | 45 | 50 | 55 |
| SCI-9120-103 | 3 | 200 | 115 | 10 | 0.01 µF | 0.020 | (0.51) | — | 12 | 20 | 29 | 38 | 45 | 50 | 55 |
| 9900-381-6005 | 2 | 200 | — | 10 | 0.015 µF | — | — | 7 | 9 | 20 | 29 | 35 | 45 | 50 | 60 |
| † 54-790-018 | 1 | 300 | — | 10 | 1000 pF | — | — | — | — | 9 | 20 | 28 | 28 | 40 | 40 |
| † 54-790-021 | 1 | 300 | — | 10 | 0.01 µF | — | — | — | 9 | 20 | 29 | 38 | 45 | 50 | 50 |

* Tinned, steel leads.

† Also available through API's authorized distributors.

Resin Sealed Bolt-in Filters



4-40 L and Pi Circuit



Figure 1

Dimensions in inches (mm)

| Part Number | Figure | Rated Voltage 125°C | | I Amp | CKT | Min Cap | A | | Minimum Insertion Loss (dB) | | | | | | | |
|---------------|--------|------------------------|-----|----------|-----|------------|-------|---------|-----------------------------|----------|-----------|-----------|------------|------------|----------|-----------|
| | | DC | AC | | | | In | (mm) | 1 MHz | 3 MHz | 10 MHz | 30 MHz | 100 MHz | 300 MHz | 1 GHz | 10 GHz |
| +51-729-305 | 1 | 50 | — | 3 | Pi | 5500 pF | 0.018 | (0.46) | — | 7 | 14 | 40 | 60 | 70 | 70 | 70 |
| +51-729-312 | 1 | 50 | — | 3 | Pi | 7000 pF | 0.018 | (0.46) | — | 8 | 15 | 40 | 65 | 70 | 70 | 70 |
| SCI-3102-002 | 1 | 50 | — | 3 | LB | 0.075 µF | 0.016 | (0.41)* | 18 | 25 | 37 | 42 | 52 | 55 | 70 | 70 |
| SCI-3102-000 | 1 | 50 | — | 5 | LB | 0.075 µF | 0.016 | (0.41) | 18 | 25 | 37 | 42 | 52 | 55 | 70 | 70 |
| SCI-3102-007 | 1 | 50 | — | 10 | LB | 0.075 µF | 0.025 | (0.64) | 18 | 25 | 37 | 42 | 52 | 55 | 70 | 70 |
| +51-729-304 | 1 | 100 | — | 3 | LB | 0.022 µF | 0.018 | (0.46) | 7 | 17 | 27 | 34 | 43 | 47 | 55 | 55 |
| +SCI-3112-002 | 1 | 100 | — | 5 | LB | 0.027 µF | 0.016 | (0.41)* | 10 | 20 | 30 | 38 | 45 | 45 | 65 | 70 |
| +SCI-3112-000 | 1 | 100 | — | 5 | LB | 0.027 µF | 0.016 | (0.41) | 10 | 20 | 30 | 38 | 45 | 45 | 65 | 70 |
| SCI-3112-007 | 1 | 100 | — | 10 | LB | 0.027 µF | 0.025 | (0.64) | 10 | 20 | 30 | 38 | 45 | 45 | 65 | 70 |
| SCI-3112-102 | 1 | 100 | — | 3 | LB | 0.05 µF | 0.016 | (0.41)* | 15 | 24 | 35 | 42 | 54 | 56 | 70 | 70 |
| SCI-3112-100 | 1 | 100 | — | 5 | LB | 0.05 µF | 0.016 | (0.41) | 15 | 24 | 35 | 42 | 54 | 56 | 70 | 70 |
| SCI-3112-107 | 1 | 100 | — | 10 | LB | 0.05 µF | 0.025 | (0.64) | 15 | 24 | 35 | 42 | 54 | 56 | 70 | 70 |
| +51-729-303 | 1 | 200 | — | 3 | Pi | 1500 pF | 0.018 | (0.46) | — | — | 5 | 15 | 42 | 65 | 70 | 70 |
| SCI-3122-002 | 1 | 200 | 115 | 3 | LB | 0.01 µF | 0.016 | (0.41)* | — | 12 | 21 | 30 | 41 | 45 | 70 | 70 |
| SCI-3122-000 | 1 | 200 | 115 | 5 | LB | 0.01 µF | 0.016 | (0.41) | — | 12 | 21 | 30 | 41 | 45 | 70 | 70 |
| SCI-3122-007 | 1 | 200 | 115 | 10 | LB | 0.01 µF | 0.025 | (0.64) | — | 12 | 21 | 30 | 41 | 45 | 70 | 70 |

* Tinned, steel leads.

+ Also available through API's authorized distributors.

Resin Sealed Bolt-in Filters

6-32 C, L, Pi/6-40 Pi



| Part Number | Figure | Rated Voltage 125°C | | I Amp | CKT | Min Cap | A | | Minimum Insertion Loss (dB) | | | | | | | |
|---------------------|--------|------------------------|----|----------|-----|-------------|-------|--------|-----------------------------|----------|-----------|-----------|------------|------------|----------|-----------|
| | | DC | AC | | | | In | (mm) | 1 MHz | 3 MHz | 10 MHz | 30 MHz | 100 MHz | 300 MHz | 1 GHz | 10 GHz |
| † 51-726-008 | 1 | 50 | — | 3 | Pi | 5500 pF | 0.018 | (0.46) | — | 7 | 14 | 30 | 55 | 70 | 70 | 70 |
| 51-726-017 | 1 | 50 | — | 3 | Pi | 9000 pF | 0.018 | (0.46) | — | 8 | 18 | 45 | 65 | 70 | 70 | 70 |
| 54-779-019 | 1 | 50 | — | 10 | C | 0.10 µF | 0.032 | (0.81) | 22 | 31 | 40 | 44 | 47 | 55 | 65 | 65 |
| † 54779001X5F100M | 1 | 100 | — | 10 | C | 10 pF ± 20% | 0.032 | (0.81) | — | — | — | — | — | — | 10 | 10 |
| † 54779001X5U102P € | 1 | 100 | — | 10 | C | 1000 pF | 0.032 | (0.81) | — | — | — | 10 | 21 | 28 | 28 | 28 |
| 54-779-014 | 1 | 100 | — | 10 | C | 2700 pF | 0.032 | (0.81) | — | — | 9 | 18 | 27 | 33 | 35 | 35 |
| 54-779-016 | 1 | 100 | — | 10 | C | 0.01 µF | 0.032 | (0.81) | — | 9 | 20 | 29 | 38 | 45 | 50 | 50 |
| † 51-726-002 | 3 | 100 | — | 10 | LB | 0.022 µF | 0.032 | (0.81) | 7 | 17 | 27 | 34 | 43 | 50 | 60 | 60 |
| 54-779-017 | 1 | 100 | — | 10 | C | 0.027 µF | 0.032 | (0.81) | 10 | 20 | 30 | 37 | 45 | 50 | 55 | 60 |
| 54-779-018 | 1 | 100 | — | 10 | C | 0.050 µF | 0.032 | (0.81) | 15 | 24 | 34 | 41 | 45 | 50 | 60 | 60 |
| † 51-726-001 | 1 | 200 | — | 3 | Pi | 1500 pF | 0.018 | (0.46) | — | — | 5 | 15 | 42 | 65 | 70 | 70 |
| † 1289-001 | 2 | 200 | — | 10 | Pi | 1500 pF | 0.032 | (0.81) | — | — | 5 | 15 | 40 | 60 | 60 | 60 |
| † 1289-004 | 2 | 200 | — | 10 | Pi | 3000 pF | 0.032 | (0.81) | — | — | 8 | 15 | 50 | 65 | 70 | 70 |
| 54-779-015 | 1 | 200 | — | 10 | C | 5600 pF | 0.032 | (0.81) | — | — | 15 | 24 | 33 | 37 | 40 | 40 |

† Also available through API's authorized distributors.

€ Also available through API's authorized European distributors/agents.

Resin Sealed Bolt-in Filters



8-32 C Circuit



| Part Number | Figure | Rated Voltage 125°C | | I Amp | Min Cap | Minimum Insertion Loss (dB) | | | | | | | |
|-------------------|--------|------------------------|-----|----------|------------|-----------------------------|----------|-----------|-----------|------------|------------|----------|-----------|
| | | DC | AC | | | 1 MHz | 3 MHz | 10 MHz | 30 MHz | 100 MHz | 300 MHz | 1 GHz | 10 GHz |
| SCI-9200-503 | 2 | 50 | — | 10 | 0.05 μF | 15 | 24 | 35 | 41 | 45 | 50 | 60 | 60 |
| 9950-381-6009 | 3 | 50 | — | 10 | 0.12 μF | 20 | 30 | 43 | 45 | 55 | 55 | 55 | 55 |
| 54-785-017 | 1 | 50 | — | 10 | 0.21 μF | 28 | 37 | 45 | 50 | 55 | 60 | 70 | 70 |
| 9950-381-6008 | 3 | 70 | — | 10 | 0.08 μF | 15 | 24 | 37 | 41 | 51 | 51 | 55 | 55 |
| † 54713001X5F101M | 4 | 100 | — | 10 | 80 pF | — | — | — | — | — | 10 | 20 | 20 |
| † 54713001X5U102P | 4 | 100 | — | 10 | 1000 pF | — | — | — | 11 | 20 | 28 | 28 | 28 |
| 54-785-013 | 1 | 100 | — | 10 | 0.01 μF | — | 9 | 20 | 29 | 38 | 45 | 50 | 55 |
| SCI-9210-103 | 2 | 100 | — | 10 | 0.01 μF | — | 12 | 20 | 29 | 38 | 45 | 50 | 50 |
| SCI-9210-273 | 2 | 100 | — | 10 | 0.027 μF | 10 | 20 | 30 | 36 | 45 | 50 | 55 | 60 |
| † 54-785-005 | 1 | 100 | — | 10 | 0.05 μF | 15 | 24 | 34 | 41 | 45 | 50 | 60 | 60 |
| 54-785-016 | 1 | 100 | — | 10 | 0.1 μF | 20 | 29 | 38 | 44 | 47 | 55 | 65 | 65 |
| 54-785-011 | 1 | 150 | — | 10 | 2000 pF | — | — | 8 | 17 | 26 | 32 | 34 | 35 |
| 54-785-012 | 1 | 150 | — | 10 | 5000 pF | — | 6 | 15 | 24 | 33 | 37 | 40 | 40 |
| SCI-9220-101 | 2 | 200 | 115 | 10 | 100 pF | — | — | — | — | — | 10 | 20 | 25 |
| SCI-9220-102 | 2 | 200 | 115 | 10 | 1000 pF | — | — | — | 11 | 20 | 28 | 28 | 28 |
| SCI-9220-502 | 2 | 200 | 115 | 10 | 5000 pF | — | 6 | 15 | 24 | 33 | 37 | 40 | 40 |

† Also available through API's authorized distributors.

Resin Sealed Bolt-in Filters

8-32 L & Pi Circuit



| Part Number | M15733 MIL Number | Fig. | Rated Voltage 125°C | | I Amp | CKT | Min Cap | In | H (mm) | L In (mm) | Minimum Insertion Loss (dB) | | | | | | | | |
|----------------|-------------------|------|---------------------|-----|-------|-----|----------|-------|--------|-----------|-----------------------------|-------|--------|--------|---------|---------|-------|--------|----|
| | | | DC | AC | | | | | | | 1 MHz | 3 MHz | 10 MHz | 30 MHz | 100 MHz | 300 MHz | 1 GHz | 10 GHz | |
| 51-712-069 € | — | 2 | 50 | — | 10 | Pi | 0.012 µF | 0.265 | (6.73) | 0.413 | (10.49) | 5 | 9 | 18 | 45 | 65 | 70 | 70 | 70 |
| † 51-712-065 | /61-0014 | 4 | 50 | — | 20 | Pi | 0.012 µF | 0.310 | (7.87) | 0.490 | (12.45) | — | 10 | 20 | 30 | 65 | 70 | 70 | 70 |
| † 1250-054 | — | 2 | 70 | — | 10 | Pi | 5000 pF | 0.312 | (7.92) | 0.500 | (12.70) | — | — | 20 | 30 | 65 | 65 | 70 | 70 |
| † 1293-001 | — | 3 | 70 | — | 10 | Pi | 0.028 µF | — | — | — | — | 10 | 14 | 38 | 65 | 75 | 75 | 75 | 75 |
| 51-712-055 | /43-0002 | 2 | 100 | 70 | 10 | Pi | 3000 pF | 0.312 | (7.92) | 0.578 | (14.68) | — | — | 5 | 15 | 45 | 50 | 50 | 50 |
| † 51-712-014 | /28-0001 | 2 | 100 | 70 | 10 | Pi | 3000 pF | 0.312 | (7.92) | 0.890 | (22.61) | — | — | 5 | 15 | 45 | 60 | 60 | 60 |
| 51-712-028 | /28-0002 | 5 | 100 | 70 | 10 | Pi | 3000 pF | — | — | — | — | — | — | 5 | 15 | 45 | 60 | 60 | 60 |
| † 51-712-063* | /61-0008 | 2 | 100 | 70 | 10 | Pi | 5500 pF | 0.312 | (7.92) | 0.500 | (12.70) | — | — | 15 | 35 | 65 | 70 | 70 | 70 |
| † 51-712-003 ◊ | — | 2 | 100 | — | 10 | LB | 0.022 µF | 0.280 | (7.11) | 0.850 | (21.59) | 7 | 17 | 27 | 34 | 43 | 50 | 60 | 60 |
| 51-712-060 ◊ | /28-0004 | 2 | 100 | 70 | 10 | LB | 0.022 µF | 0.312 | (7.92) | 0.890 | (22.61) | 10 | 17 | 28 | 34 | 41 | 50 | 60 | 60 |
| † 51-712-067 | /61-0013 | 2 | 100 | — | 10 | LB | 0.031 µF | 0.280 | (7.11) | 0.890 | (22.61) | 10 | 20 | 30 | 38 | 42 | 52 | 60 | 60 |
| 51-762-006 | /44-0003 | 6 | 125 | 85 | 15 | Pi | 65 pF | — | — | — | — | — | — | — | — | — | — | 16 | 42 |
| † 1250-059 | — | 6 | 125 | — | 15 | Pi | 1500 pF | — | — | — | — | — | — | 5 | 15 | 35 | 45 | 60 | 60 |
| † 51-762-005 | /44-0002 | 6 | 125 | 85 | 15 | Pi | 1500 pF | — | — | — | — | — | — | 5 | 15 | 25 | 35 | 50 | 50 |
| 1250-062 | — | 1 | 125 | — | 15 | Pi | 3000 pF | — | — | — | — | — | — | 5 | 15 | 45 | 45 | 70 | 70 |
| † 51-744-003* | /44-0001 | 1 | 125 | 85 | 15 | Pi | 3000 pF | — | — | — | — | — | — | 10 | 15 | 30 | 40 | 65 | 65 |
| † SCI-3223-000 | — | 2 | 200 | 115 | 10 | Pi | 2000 pF | 0.312 | (7.92) | 0.890 | (22.61) | — | — | 8 | 10 | 48 | 50 | 70 | 70 |
| † 1250-003 € | — | 2 | 200 | — | 10 | Pi | 3000 pF | 0.312 | (7.92) | 0.890 | (22.61) | — | — | 5 | 15 | 45 | 65 | 70 | 70 |
| † 51-712-001* | — | 2 | 200 | — | 10 | Pi | 3000 pF | 0.312 | (7.92) | 0.890 | (22.61) | — | — | 5 | 15 | 45 | 65 | 70 | 70 |
| 1250-049 | — | 2 | 200 | — | 10 | Pi | 3000 pF | 0.312 | (7.92) | 0.578 | (14.68) | — | — | 5 | 15 | 45 | 65 | 65 | 60 |
| † 51-744-002 ◊ | — | 2 | 200 | — | 10 | Pi | 5500 pF | 0.265 | (6.73) | 0.413 | (10.49) | — | 7 | 14 | 30 | 55 | 70 | 70 | 70 |
| † 1293-000 | — | 3 | 200 | — | 10 | Pi | 0.012 µF | — | — | — | — | 5 | 10 | 28 | 40 | 65 | 70 | 70 | 70 |

† Also available through API's authorized distributors.

◊ Supplied with .040" (1.02mm) diameter lead.

€ Also available through API's authorized European distributors/agents.

* Denotes parts with turret lead.

Resin Sealed Bolt-in Filters



10-32 C & Pi Circuit

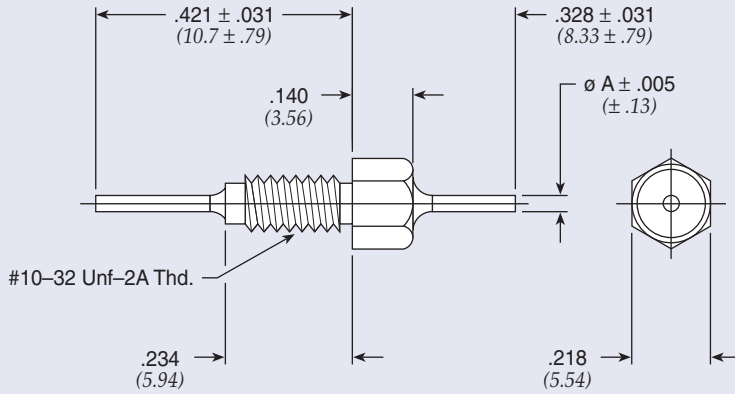


Figure 1

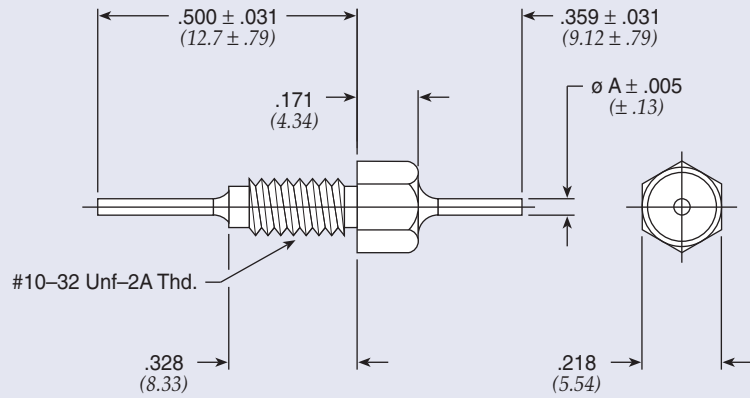


Figure 2

Dimensions in inches (mm)

| Part Number | Figure | Rated Voltage 125°C | | I Amp | CKT | Min Cap | A | | Minimum Insertion Loss (dB) | | | | | | | |
|--------------|--------|------------------------|----|----------|-----|------------|-------|--------|-----------------------------|----------|-----------|-----------|------------|------------|----------|-----------|
| | | DC | AC | | | | In | (mm) | 1 MHz | 3 MHz | 10 MHz | 30 MHz | 100 MHz | 300 MHz | 1 GHz | 10 GHz |
| 51-761-002 | 1 | 50 | — | 10 | Pi | 0.018 µF | 0.032 | (0.81) | 7 | 14 | 30 | 55 | 70 | 70 | 70 | 70 |
| † 54-786-013 | 1 | 50 | — | 10 | C | 0.3 µF | 0.040 | (1.02) | 30 | 38 | 47 | 50 | 55 | 60 | 70 | 70 |
| 54-786-028 | 1 | 50 | — | 10 | C | 0.56 µF | 0.040 | (1.02) | 35 | 43 | 50 | 52 | 60 | 65 | 70 | 70 |
| † 54-786-014 | 2 | 50 | — | 10 | C | 0.8 µF | 0.040 | (1.02) | 40 | 46 | 52 | 54 | 70 | 70 | 70 | 70 |
| 51-761-001 | 1 | 100 | — | 10 | Pi | 0.01 µF | 0.032 | (0.81) | — | 10 | 20 | 45 | 65 | 70 | 70 | 70 |
| 54-786-027 | 1 | 200 | — | 10 | C | 0.1 µF | 0.040 | (1.02) | 20 | 29 | 38 | 44 | 47 | 55 | 65 | 65 |

† Also available through API's authorized distributors.

Resin Sealed Bolt-in Filters

12-28 C /12-32 C Circuit



| Part Number | Figure | Rated Voltage 125°C | | I Amp | CKT | Min Cap | Minimum Insertion Loss (dB) | | | | | | | |
|-------------------|--------|------------------------|----|----------|-----|---------------|-----------------------------|----------|-----------|-----------|------------|------------|----------|-----------|
| | | DC | AC | | | | 1 MHz | 3 MHz | 10 MHz | 30 MHz | 100 MHz | 300 MHz | 1 GHz | 10 GHz |
| 9910-381-6004 | 4 | 35 | — | 15 | C | 1 μ F | 38 | 40 | 52 | 52 | 70 | 70 | 78 | 80 |
| 9910-381-6003 | 4 | 50 | — | 15 | C | 0.75 μ F | 35 | 37 | 51 | 51 | 61 | 61 | 65 | 70 |
| SCI-9310-273 | 3 | 100 | — | 10 | C | 0.027 μ F | 10 | 20 | 30 | 37 | 45 | 50 | 55 | 60 |
| 9910-381-6002 | 4 | 100 | — | 15 | C | 0.30 μ F | 28 | 30 | 45 | 50 | 55 | 55 | 60 | 65 |
| 54804002X5R101M | 2 | 250 | — | 10 | C | 100 pF ± 20% | — | — | — | — | — | 10 | 20 | 25 |
| † 54804002X5R471M | 2 | 250 | — | 10 | C | 470 pF ± 20% | — | — | — | — | 12 | 22 | 25 | 28 |
| † 54804002X5V102P | 2 | 250 | — | 10 | C | 1000 pF | — | — | — | 10 | 21 | 28 | 28 | 28 |
| 54743001X5U102Z | 1 | 250 | — | 15 | C | 1000 pF | — | — | — | — | 20 | 28 | 28 | 28 |

† Also available through API's authorized distributors.

Resin Sealed Bolt-in Filters



12-28 & 12-32 Pi Circuit



Resin Sealed Bolt-in Filters

12-28 & 12-32 Pi Circuit

| Part Number | M15733 MIL Number | See Pg. LP20 for Fig. | Rated Voltage 125°C | | I Amp | Min Cap | A | | B | | Minimum Insertion Loss (dB) | | | | | | | |
|-----------------|-------------------|-----------------------|---------------------|-----|-------|----------|-------|--------|-------|---------|-----------------------------|-------|--------|--------|---------|---------|-------|--------|
| | | | DC | AC | | | In | (mm) | In | (mm) | 1 MHz | 3 MHz | 10 MHz | 30 MHz | 100 MHz | 300 MHz | 1 GHz | 10 GHz |
| 51-709-013 | — | 3 | 50 | — | 10 | 0.1 µF | 0.040 | (1.02) | 0.437 | (11.10) | 10 | 40 | 52 | 70 | 70 | 70 | 70 | 70 |
| SCI-3303-000* | — | 2 | 50 | — | 10 | 0.15 µF | 0.032 | (0.81) | 0.250 | (6.35) | 12 | 43 | 68 | 70 | 70 | 70 | 70 | 70 |
| 51-709-015 | /61-0009 | 3 | 70 | — | 10 | 0.012 µF | 0.032 | (0.81) | 0.470 | (11.94) | — | — | — | — | 65 | 65 | 65 | 65 |
| † 1216-001 | — | 3 | 70 | — | 10 | 0.050 µF | 0.032 | (0.81) | 0.468 | (11.89) | 15 | 20 | 60 | 65 | 75 | 75 | 75 | 75 |
| † 1270-016* | — | 2 | 100 | — | 10 | 5500 pF | 0.032 | (0.81) | 0.250 | (6.35) | — | 7 | 20 | 35 | 65 | 70 | 70 | 70 |
| † 1270-025 | — | 2 | 100 | — | 10 | 5500 pF | 0.032 | (0.81) | 0.235 | (5.97) | — | 7 | 20 | 35 | 65 | 70 | 70 | 70 |
| † 1201-066 | — | 1 | 100 | — | 10 | 5500 pF | 0.032 | (0.81) | — | — | — | 7 | 20 | 40 | 68 | 70 | 70 | 70 |
| 51-714-055* | /61-0011 | 2 | 100 | — | 10 | 5500 pF | 0.032 | (0.81) | 0.235 | (5.97) | — | 7 | 20 | — | 65 | 70 | 70 | 70 |
| 51-714-054* | /61-0010 | 2 | 100 | — | 10 | 5500 pF | 0.032 | (0.81) | 0.250 | (6.35) | — | 7 | 20 | — | 65 | 70 | 70 | 70 |
| 51-714-053* | /61-0007 | 2 | 100 | 70 | 10 | 5500 pF | 0.032 | (0.81) | 0.250 | (6.35) | — | 7 | — | — | 65 | 70 | 70 | 70 |
| 51-714-058* | — | 2 | 100 | — | 10 | 0.025 µF | 0.032 | (0.81) | 0.250 | (6.35) | 10 | 15 | 40 | 60 | 70 | 70 | 70 | 70 |
| 51-714-056 | /61-0012 | 6 | 100 | — | 10 | 0.025 µF | 0.032 | (0.81) | 0.235 | (5.97) | — | — | — | — | 65 | 65 | 65 | 65 |
| † SCI-3313-000* | — | 2 | 100 | — | 10 | 0.10 µF | 0.032 | (0.81) | 0.250 | (6.35) | 10 | 40 | 65 | 70 | 70 | 70 | 70 | 70 |
| 51-719-022 | — | 1 | 200 | — | 10 | 1300 pF | 0.040 | (1.02) | — | — | — | — | 5 | 10 | 35 | 60 | 70 | 70 |
| † 1201-052 | — | 5 | 200 | — | 10 | 3000 pF | 0.032 | (0.81) | — | — | — | — | 5 | 15 | 45 | 45 | 70 | 70 |
| † 1201-054 | — | 1 | 200 | — | 10 | 3000 pF | 0.032 | (0.81) | — | — | — | — | 5 | 15 | 45 | 45 | 70 | 70 |
| 51-714-001* | — | 2 | 200 | — | 10 | 3000 pF | 0.032 | (0.81) | 0.250 | (6.35) | — | — | 5 | 15 | 43 | 60 | 70 | 70 |
| † 1270-024 | — | 2 | 200 | — | 10 | 3000 pF | 0.032 | (0.81) | 0.235 | (5.97) | — | — | 5 | 15 | 45 | 45 | 70 | 70 |
| 51-714-003* | — | 2 | 200 | — | 10 | 3000 pF | 0.032 | (0.81) | 0.235 | (5.97) | — | — | 5 | 15 | 43 | 60 | 70 | 70 |
| † 1270-009 | — | 2 | 200 | — | 10 | 3000 pF | 0.032 | (0.81) | 0.250 | (6.35) | — | — | 5 | 15 | 45 | 45 | 70 | 70 |
| 51-719-053** | /61-0001 | 5 | 200 | 140 | 10 | 3000 pF | 0.032 | (0.81) | — | — | — | — | — | — | 45 | — | 70 | 70 |
| 51-719-054* | /61-0002 | 1 | 200 | 140 | 10 | 1500 pF | 0.032 | (0.81) | — | — | — | — | — | — | 45 | 45 | 70 | 70 |
| 51-714-051* | /61-0005 | 2 | 200 | 140 | 10 | 1500 pF | 0.032 | (0.81) | 0.250 | (6.35) | — | — | — | — | 45 | 45 | 70 | 70 |
| 51-719-023* | /43-0001 | 5 | 200 | 140 | 10 | 3000 pF | 0.032 | (0.81) | — | — | — | — | — | — | 45 | 45 | 45 | 45 |
| 51-714-052* | /61-0006 | 2 | 200 | 140 | 10 | 3000 pF | 0.032 | (0.81) | 0.235 | (5.97) | — | — | — | — | 45 | 45 | 70 | 70 |
| 51-714-004* | — | 2 | 200 | — | 10 | 5500 pF | 0.032 | (0.81) | 0.235 | (5.97) | — | 7 | 14 | 35 | 60 | 70 | 70 | 70 |
| † 51-719-021 | — | 1 | 200 | — | 10 | 5500 pF | 0.040 | (1.02) | — | — | — | 7 | 14 | 30 | 50 | 65 | 65 | 65 |
| € 51-714-002* | — | 2 | 200 | — | 10 | 5500 pF | 0.032 | (0.81) | 0.250 | (6.35) | — | 7 | 14 | 35 | 60 | 70 | 70 | 70 |
| † SCI-3323-000* | — | 2 | 200 | 115 | 10 | 0.012 µF | 0.032 | (0.81) | 0.250 | (6.35) | — | — | 27 | 30 | 70 | 70 | 70 | 70 |
| † 1221-001 | — | 4 | 300 | — | 10 | 5500 pF | 0.032 | (0.81) | 0.437 | (11.10) | — | — | 15 | 30 | 65 | 70 | 70 | 70 |
| † 51-709-004 | /46-0001 | 4 | 300 | — | 10 | 5500 pF | 0.032 | (0.81) | 0.437 | (11.10) | — | — | — | — | 65 | 70 | 70 | 70 |
| 1201-086 | — | 1 | 350 | — | 10 | 2500 pF | 0.040 | (1.02) | — | — | — | — | 5 | 10 | 50 | 50 | 65 | 65 |
| † 51-719-011 € | — | 1 | 500 | — | 10 | 3000 pF | 0.040 | (1.02) | — | — | — | — | 12 | 20 | 45 | 60 | 60 | 60 |

† Also available through API's authorized distributors.

€ Also available through API's authorized European distributors/agents.

* Denotes parts supplied with lead as shown in Figure 7.

** Bushing housing will have 1 1/2 imperfect threads at hex to thread interface.

Resin Sealed Bolt-in Filters

5/16-24 & 5/16-32 C & Pi Circuit



| Part Number | M15733 MIL Number | Fig. | Rated Voltage 125°C | | I Amp | CKT | Min Cap | Minimum Insertion Loss (dB) | | | | | | | |
|--------------|-------------------|------|---------------------|-----|-------|-----|----------|-----------------------------|-------|--------|--------|---------|---------|-------|--------|
| | | | DC | AC | | | | 1 MHz | 3 MHz | 10 MHz | 30 MHz | 100 MHz | 300 MHz | 1 GHz | 10 GHz |
| SCI-9510-503 | — | 1 | 100 | — | 25 | C | 0.05 µF | 15 | 24 | 35 | 41 | 45 | 60 | 60 | 60 |
| SCI-3513-000 | — | 1 | 100 | — | 25 | Pi | 0.1 µF | 10 | 18 | 28 | 37 | 70 | 70 | 70 | 70 |
| SCI-3523-000 | — | 1 | 200 | 115 | 25 | Pi | 0.02 µF | — | — | 25 | 50 | 66 | 66 | 70 | 70 |
| SCI-3543-000 | — | 1 | 400 | 220 | 25 | Pi | 6000 pF | — | — | 15 | 35 | 54 | 65 | 70 | 70 |
| SCI-9550-102 | — | 1 | 500 | 115 | 25 | C | 1000 pF | — | — | — | 11 | 20 | 28 | 28 | 28 |
| † 1202-052 | — | 1 | 500 | — | 25 | Pi | 3000 pF | — | — | 10 | 35 | 55 | 55 | 70 | 70 |
| † 1202-054 | — | 2 | 500 | — | 25 | Pi | 3000 pF | — | — | 10 | 35 | 55 | 55 | 70 | 70 |
| 51-702-020* | /61-0003 | 3 | 500 | 350 | 25 | Pi | 3000 pF | — | — | — | 35 | 55 | 55 | 70 | 70 |
| 51-702-021 | /61-0004 | 3 | 500 | 350 | 25 | Pi | 3000 pF | — | — | 10 | 35 | 55 | 55 | 70 | 70 |
| SCI-9550-332 | — | 1 | 500 | 115 | 25 | C | 3300 pF | — | — | 12 | 20 | 30 | 33 | 40 | 40 |
| SCI-3553-000 | — | 1 | 500 | 220 | 25 | Pi | 0.012 µF | — | — | 18 | 28 | 52 | 52 | 70 | 70 |
| † 1202-005 | — | 2 | 700 | — | 25 | Pi | 2000 pF | — | — | 5 | 20 | 50 | 55 | 70 | 70 |

† Also available through API's authorized distributors.

* Denotes parts with 5/16-24 Threads

Metric Resin Sealed Bolt-in Filters

M3 Pi Circuit & M4 C Circuit



| Part Number | Figure | Rated Voltage 125°C | | I Amp | CKT | Min Cap | Temperature Range |
|-------------|--------|------------------------|--|----------|-----|------------|----------------------|
| | | DC | | | | | |
| 51-831-004 | 1 | 100 | | 3 | Pi | 1000 pF | -55°C to +125°C |
| 51-831-011 | 1 | 100 | | 10 | Pi | 100 pF | -55°C to +125°C |
| 51-831-012 | 1 | 100 | | 10 | Pi | 1500 pF | -55°C to +125°C |
| 51-831-013 | 1 | 100 | | 10 | Pi | 3000 pF | -55°C to +125°C |
| 51-831-014 | 1 | 70 | | 10 | Pi | 5500 pF | -55°C to +125°C |
| 51-831-015 | 1 | 100 | | 10 | Pi | 12000 pF | -55°C to +125°C |
| 54-863-004 | 2 | 100 | | 10 | C | 10000 pF | -55°C to +125°C |
| 54-863-005 | 2 | 100 | | 10 | C | 100 pF | -55°C to +125°C |
| 54-863-007 | 2 | 100 | | 10 | C | 1000 pF | -55°C to +125°C |
| 54-863-008 | 2 | 100 | | 10 | C | 2000 pF | -55°C to +125°C |
| 54-863-010 | 2 | 100 | | 10 | C | 4700 pF | -55°C to +125°C |

RoHS available.

Компания «Life Electronics» занимается поставками электронных компонентов импортного и отечественного производства от производителей и со складов крупных дистрибьюторов Европы, Америки и Азии.

С конца 2013 года компания активно расширяет линейку поставок компонентов по направлению коаксиальный кабель, кварцевые генераторы и конденсаторы (керамические, пленочные, электролитические), за счёт заключения дистрибьюторских договоров

Мы предлагаем:

- Конкурентоспособные цены и скидки постоянным клиентам.
- Специальные условия для постоянных клиентов.
- Подбор аналогов.
- Поставку компонентов в любых объемах, удовлетворяющих вашим потребностям.
- Приемлемые сроки поставки, возможна ускоренная поставка.
- Доставку товара в любую точку России и стран СНГ.
- Комплексную поставку.
- Работу по проектам и поставку образцов.
- Формирование склада под заказчика.
- Сертификаты соответствия на поставляемую продукцию (по желанию клиента).
- Тестирование поставляемой продукции.
- Поставку компонентов, требующих военную и космическую приемку.
- Входной контроль качества.
- Наличие сертификата ISO.

В составе нашей компании организован Конструкторский отдел, призванный помогать разработчикам, и инженерам.

Конструкторский отдел помогает осуществить:

- Регистрацию проекта у производителя компонентов.
- Техническую поддержку проекта.
- Защиту от снятия компонента с производства.
- Оценку стоимости проекта по компонентам.
- Изготовление тестовой платы монтаж и пусконаладочные работы.



Тел: +7 (812) 336 43 04 (многоканальный)

Email: org@lifeelectronics.ru