



DIN Signal female connector



RoHS compliant



General information

| | | | | |
|--------------------------------|--------------------------------------------|---------------------------------------|-------------------|------------------|
| Design | IEC 60603-2 | types: B, 2B, 3B, C, 2C, 3C, M female | | |
| No. of contacts | max. 96 | | | |
| Contact spacing | 2,54 mm | | | |
| Test voltage | 1000V | | | |
| Contact resistance | max. 20mOhm | | | |
| Insulation resistance | min. 10 ⁹ Ohm | | | |
| Working current | 2A at 20°C (see derating diagram) | 40 A for type M | | |
| Temperature range | -55°C ... +125°C | | | |
| | -40°C ... +105°C (for press-in connectors) | | | |
| Termination technology | press-in, solder pins | | | |
| Clearance & creepage distance | min. 1,2 mm each | | | |
| Insertion and withdrawal force | 16-pole max. 15N | 20-pole max. 20N | 30-pole max. 30N | 32-pole max. 30N |
| | 48-pole max. 45N | 64-pole max. 60N | 96-pole max. 90N | |
| Mating cycles | PL 1 acc. to IEC 60603-2 | | 500 mating cycles | |
| | PL 2 acc. to IEC 60603-2 | | 400 mating cycles | |
| | PL 3 acc. to IEC 60603-2 | | 50 mating cycles | |
| UL file | E102079 | | | |
| RoHS - compliant | Yes | | | |
| Leadfree | Yes | | | |
| Hot plugging | No | | | |

Insulator material

| | |
|---------------------------------|-----------------------------------------------------|
| Material | PBT (thermoplastics, glass fiber reinforcement 30%) |
| Color | RAL 7032 (grey) |
| UL classification | UL 94-V0 |
| Material group acc. IEC 60664-1 | IIIa (175 < CTI < 400) |
| NFF classification | I3, F4 |

Contact material

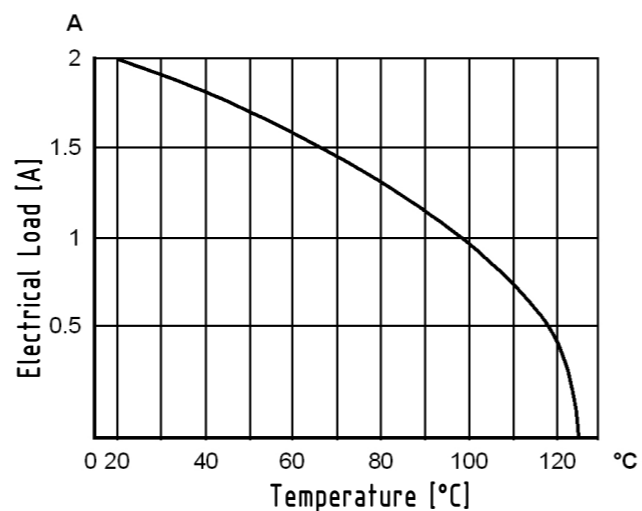
| | | | |
|--------------------------------------------|----------------------------------------|----------------------|--|
| Contact material | Copper alloy | | |
| Plating termination zone | Sn over Ni for solder, Ni for press-in | | |
| Plating contact zone I | Au over PdNi over Ni | (Au over Ni for PL3) | |
| Plating contact zone II (termination side) | Au over PdNi over Ni | (Au over Ni for PL3) | |

Derating diagram acc. to IEC 60512-5 (Current carrying capacity)

The current carrying capacity is limited by maximum temperature of materials for inserts and contacts including terminals.

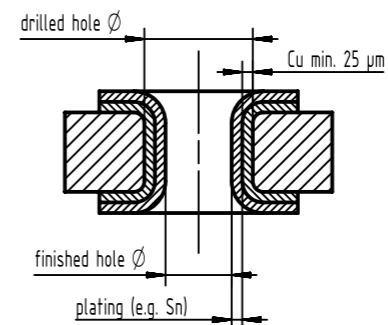
The current capacity curve is valid for continuous, non interrupted current loaded contacts of connectors when simultaneous power on all contacts is given, without exceeding the maximum temperature.

Control and test procedures according to DIN IEC 60512-5



Recommended configuration of plated through holes for press-in termination

In addition to the hot-air-level (HAL), other PCB surfaces are getting more important. Due to their different properties - such as mechanical strength and coefficient of friction - we recommend the following configuration of PCB through holes.



| Plating | Drilled hole Ø | Plated hole Ø |
|-----------------------------------------|----------------|----------------|
| Tin plated PCB (HAL) acc. to EN 60352-5 | 1,15±0,025 mm | max. 15 µm |
| | | 0,94 - 1,09 mm |
| Chemical tin plated PCB | 1,15±0,025 mm | min. 0,8µm |
| | | 1,00 - 1,10 mm |
| Gold /Nickel plated PCB | 1,15±0,025 mm | 3 - 7 µm |
| | | 0,05 - 0,12 µm |
| Silver plated PCB | 1,15±0,025 mm | 0,1 - 0,3 µm |
| | | 1,00 - 1,10 mm |
| Copper plated PCB (OSP) | 1,15±0,025 mm | |
| | | 1,00 - 1,10 mm |

Assembly instructions

It is highly recommended to use HARTING press-in tools to ensure a reliable press-in process. Please refer to the catalogue for tools, machines and further information about the press-in process.

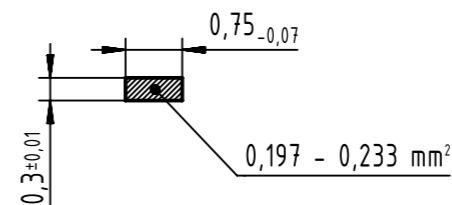
Soldering instructions

The connectors should be protected when being soldered in a dip, flow or film soldering baths. Otherwise, they might become contaminated as a result of soldering operations or deformed as a result of overheating.

(1) For prototypes and short runs protect the connectors with an industrial adhesive tape, e.g. Tesaband 4331 (www.tesa.de). Cover the underside of the connector moulding and the adjacent parts of the pcb as well as the open sides of the connector. This will prevent heat and gases of the soldering apparatus from damaging the connector. About 140 + 5 mm of the tape should suffice.

(2) For large series a jig is recommended. Its protective cover with a fast action mechanical locking device shields the connectors from gas and heat generated by the soldering apparatus. As an additional protection a foil can be used for covering the parts that should not be soldered.

Cross section of solder terminations



| | | | | |
|-----------------------------------------------|----------------------------------------------|-----------------------|----------------------|----------------------------------------------------------|
| | All Dimensions in mm Original Size DIN A3 | Scale 1:1 | Free size tol. | Ref. |
| | All rights reserved Department EC PD - DE | Created by LEHNERT | Inspected by ZWHR | Standardisation HOFFMANN |
| HARTING Electronics GmbH D-32339 Espelkamp | Title DIN Signale female connector | | | Doc-Key / ECM-Nr. 100572187/UGD/001/B 500000111021 |
| | Type DS | Number 09032100001 | Date 2016-11-03 | State Final Release |
| | | | | Rev. B Page 1/1 |

Mouser Electronics

Authorized Distributor

Click to View Pricing, Inventory, Delivery & Lifecycle Information:

HARTING:

[09022642825](#) [09027646825](#) [09032426830](#) [09032426864](#) [09032426865](#) [09032786830](#) [09032786864](#)
[09032786865](#) [09032966421](#) [09037966421](#) [09222326421](#) [09232482825](#) [09232486421](#) [09233482921](#) [09252306824](#)
[09252306850](#) [09022642824](#) [09022642850](#) [09027646824](#) [09032246850](#) [09032246864](#) [09032246865](#)
[09032322824](#) [09032322825](#) [09032322845](#) [09032326824](#) [09032326825](#) [09032326835](#) [09032326845](#) [09032327824](#)
[09032327834](#) [09032327845](#) [09032606804](#) [09032606850](#) [09032606865](#) [09032642825](#) [09032646861](#)
[09032647825](#) [09032647850](#) [09032647855](#) [09032786805](#) [09032962824](#) [09032962825](#) [09032962845](#) [09032962850](#)
[09032962855](#) [09032967825](#) [09032967845](#) [09032967850](#) [09032967855](#) [09034322824](#) [09034326825](#)
[09034642825](#) [09034646824](#) [09034646825](#) [09034962824](#) [09034962825](#) [09034966824](#) [09037646825](#) [09037962825](#)
[09037966825](#) [09037966850](#) [09222326824](#) [09222326850](#) [09224326825](#) [09232326824](#) [09232326825](#)
[09232326850](#) [09232327825](#) [09232482824](#) [09232482850](#) [09232486824](#) [09234326824](#) [09234486824](#) [09022646421](#)
[09022646824](#) [09022646825](#) [09032246805](#) [09032426805](#) [09032606805](#) [09032646824](#) [09032646825](#)
[09032646850](#) [09032647824](#) [09032966825](#) [09032966850](#) [09032966861](#) [09032966862](#) [09222326825](#) [09232486825](#)
[09252306825](#) [09034326824](#) [09034647824](#) [09242206824](#) [09242206825](#) [09232486850](#) [09032966852](#)
[09032246830](#) [09032646855](#) [09032966845](#)

Компания «Life Electronics» занимается поставками электронных компонентов импортного и отечественного производства от производителей и со складов крупных дистрибьюторов Европы, Америки и Азии.

С конца 2013 года компания активно расширяет линейку поставок компонентов по направлению коаксиальный кабель, кварцевые генераторы и конденсаторы (керамические, пленочные, электролитические), за счёт заключения дистрибьюторских договоров

Мы предлагаем:

- Конкуренспособные цены и скидки постоянным клиентам.
- Специальные условия для постоянных клиентов.
- Подбор аналогов.
- Поставку компонентов в любых объемах, удовлетворяющих вашим потребностям.
- Приемлемые сроки поставки, возможна ускоренная поставка.
- Доставку товара в любую точку России и стран СНГ.
- Комплексную поставку.
- Работу по проектам и поставку образцов.
- Формирование склада под заказчика.
- Сертификаты соответствия на поставляемую продукцию (по желанию клиента).
- Тестирование поставляемой продукции.
- Поставку компонентов, требующих военную и космическую приемку.
- Входной контроль качества.
- Наличие сертификата ISO.

В составе нашей компании организован Конструкторский отдел, призванный помогать разработчикам, и инженерам.

Конструкторский отдел помогает осуществить:

- Регистрацию проекта у производителя компонентов.
- Техническую поддержку проекта.
- Защиту от снятия компонента с производства.
- Оценку стоимости проекта по компонентам.
- Изготовление тестовой платы монтаж и пусконаладочные работы.



Тел: +7 (812) 336 43 04 (многоканальный)

Email: org@lifeelectronics.ru