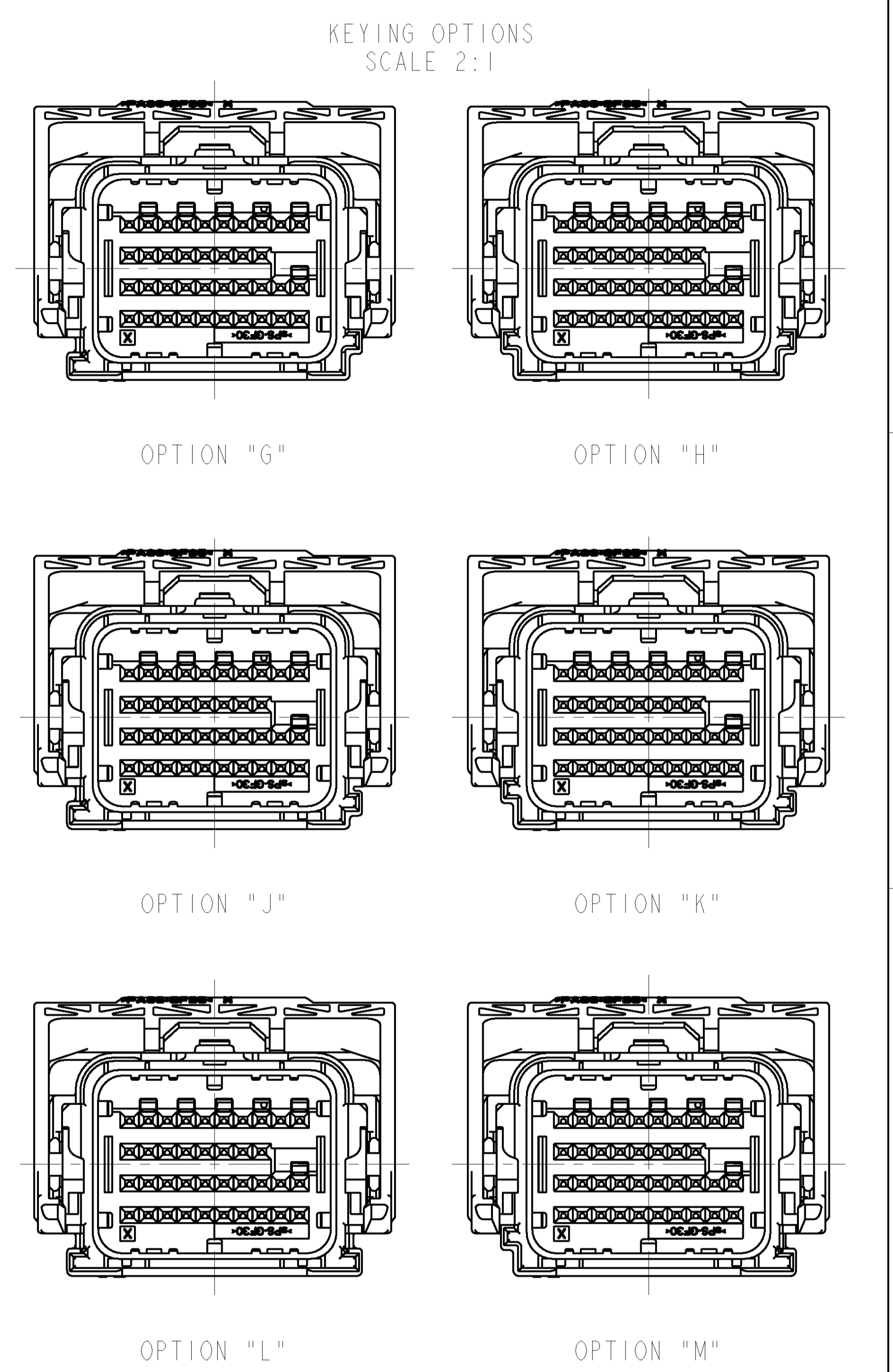
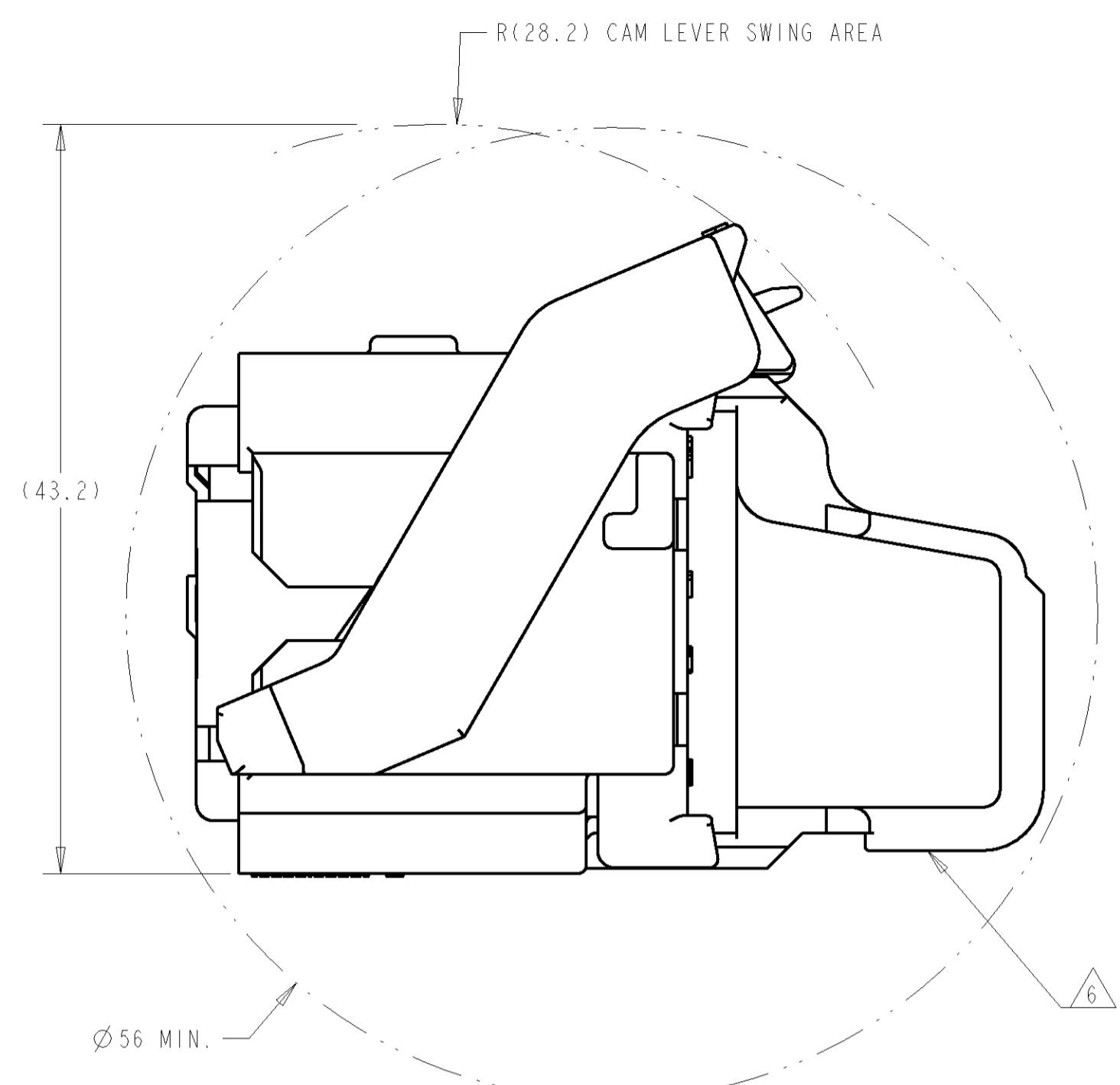
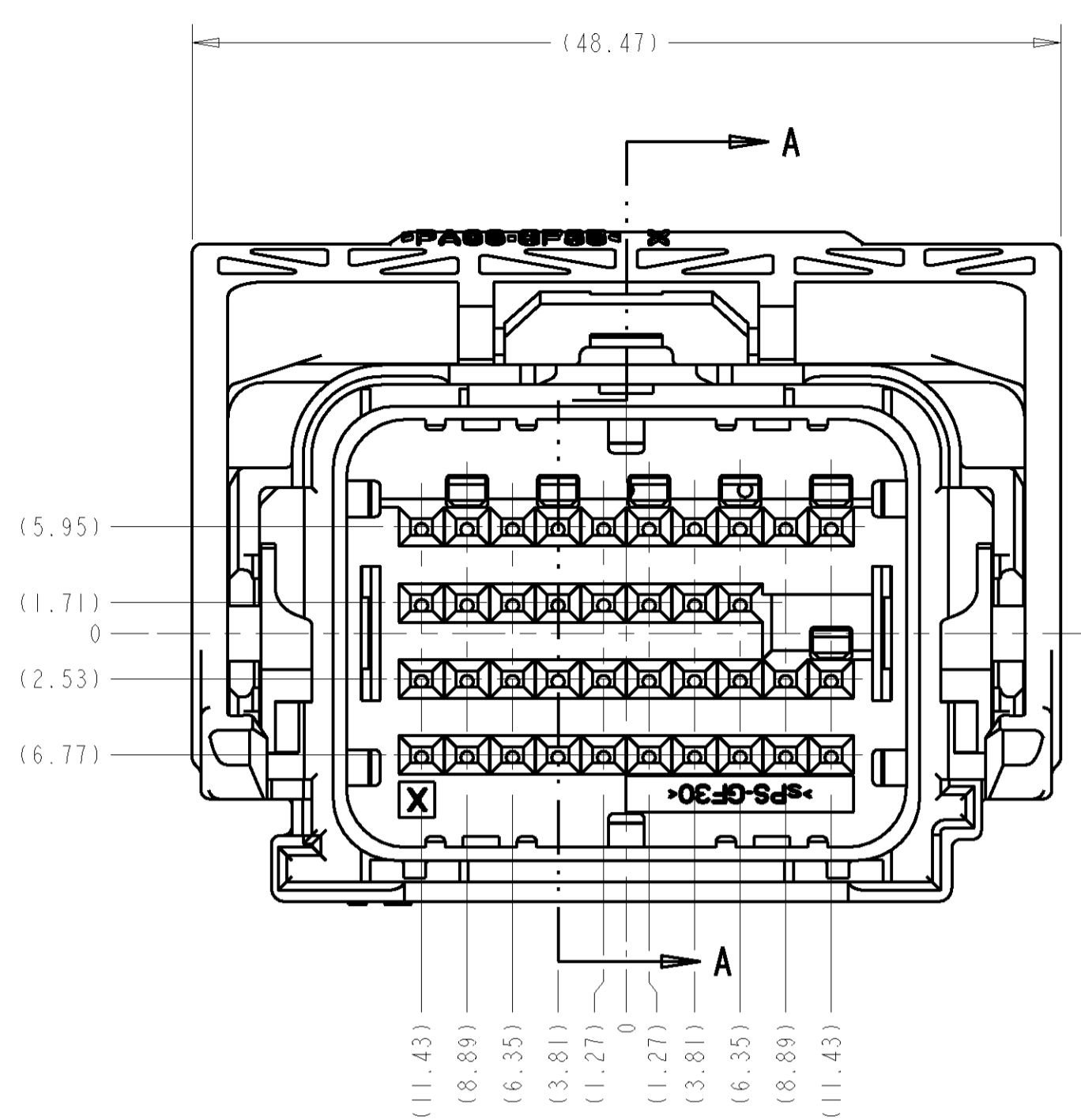
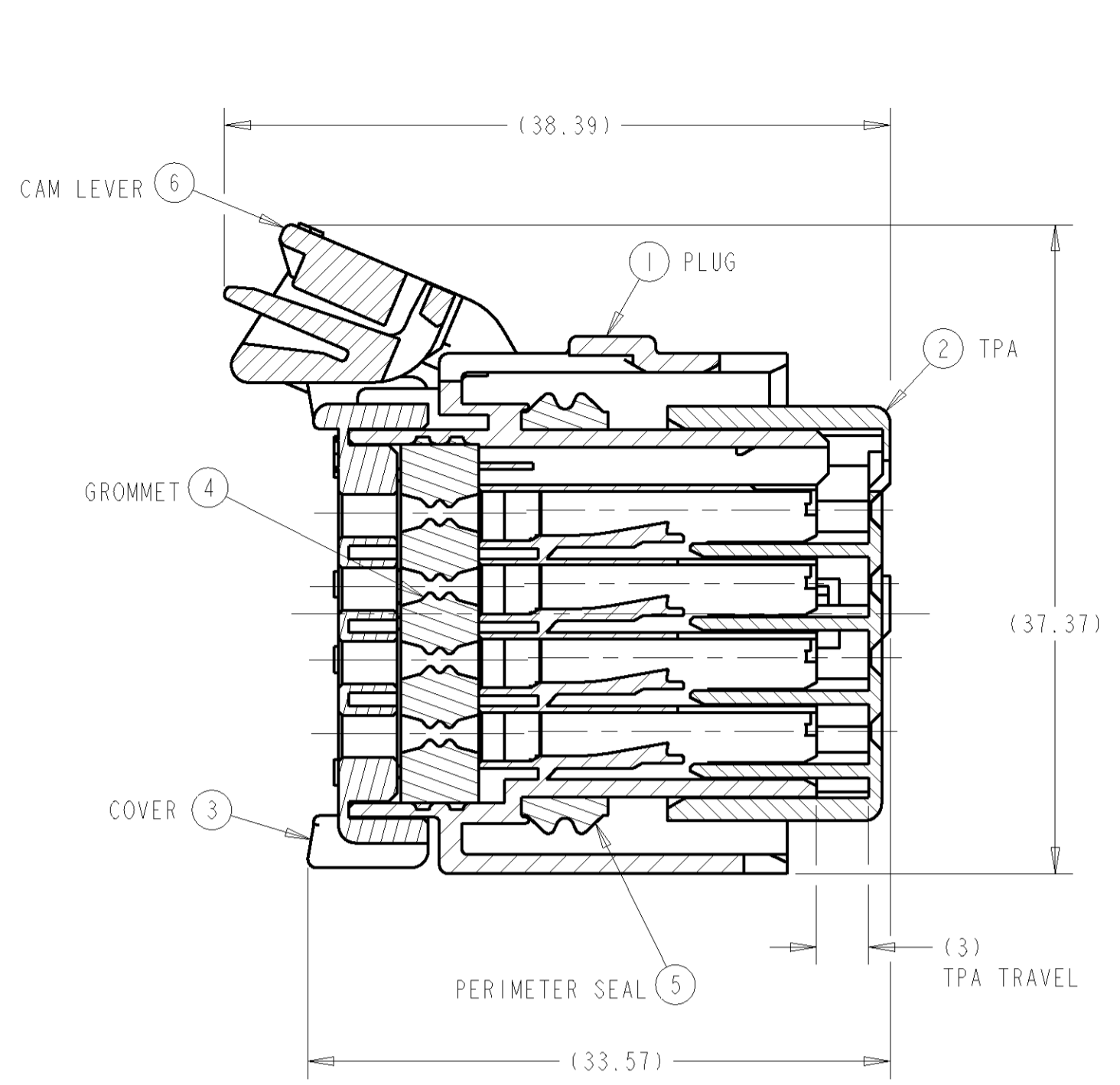
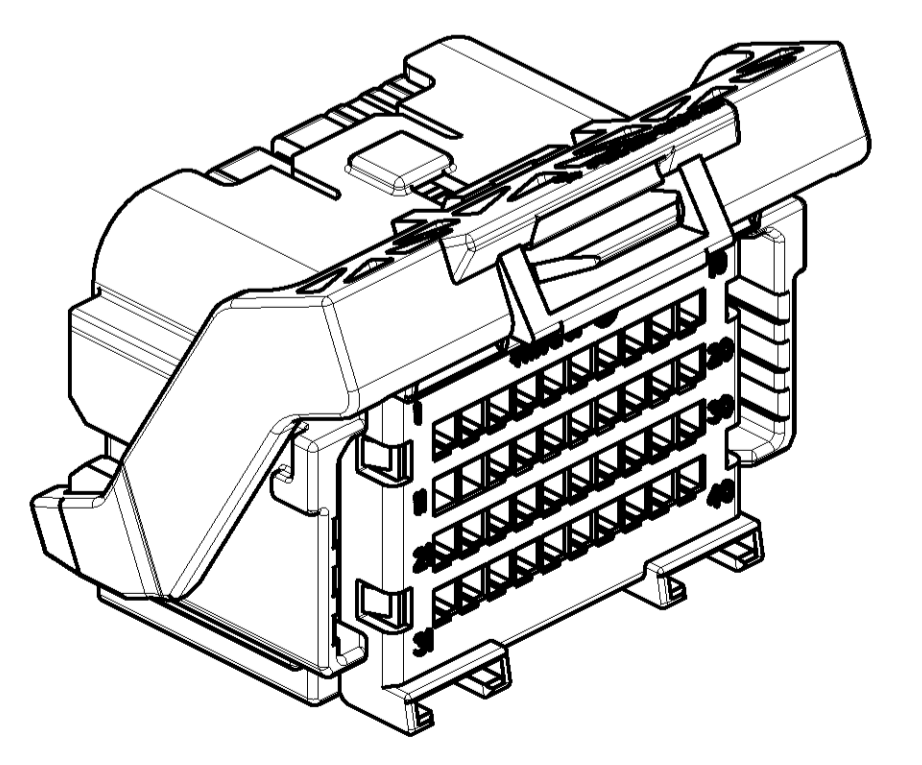
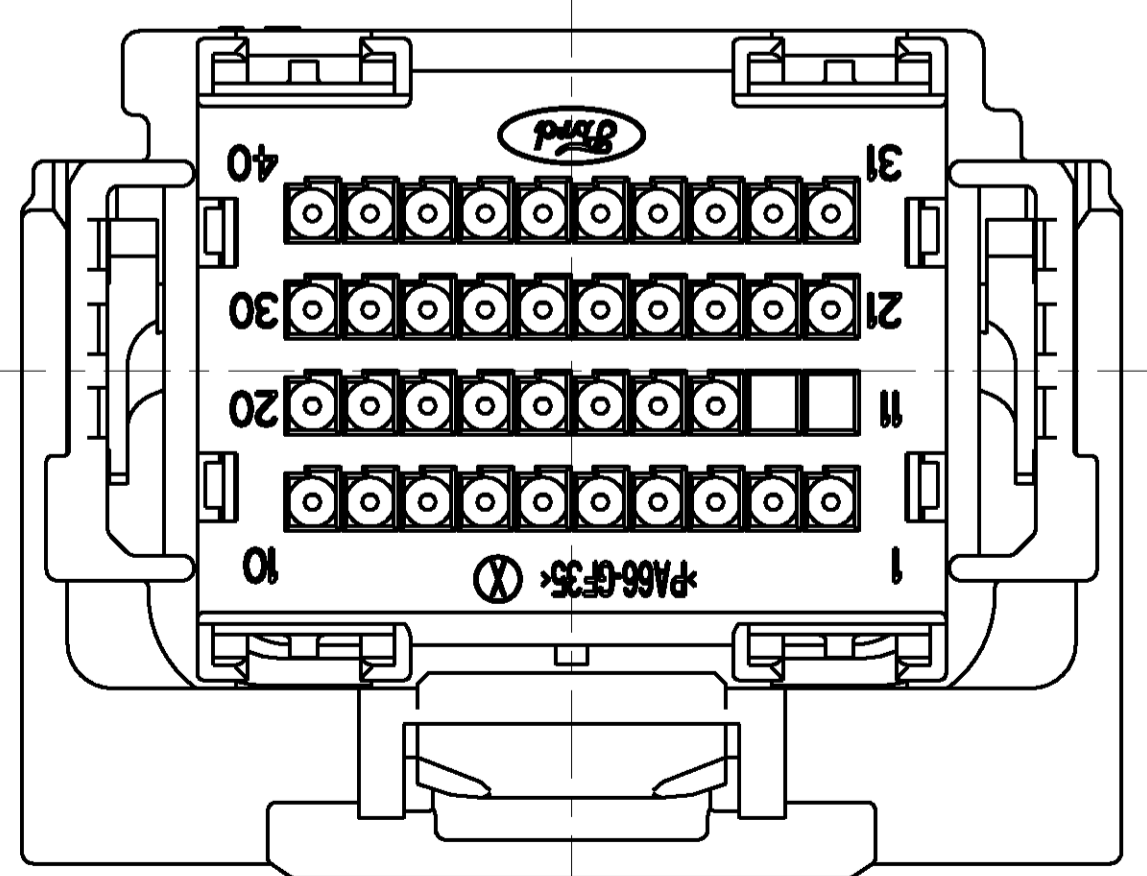
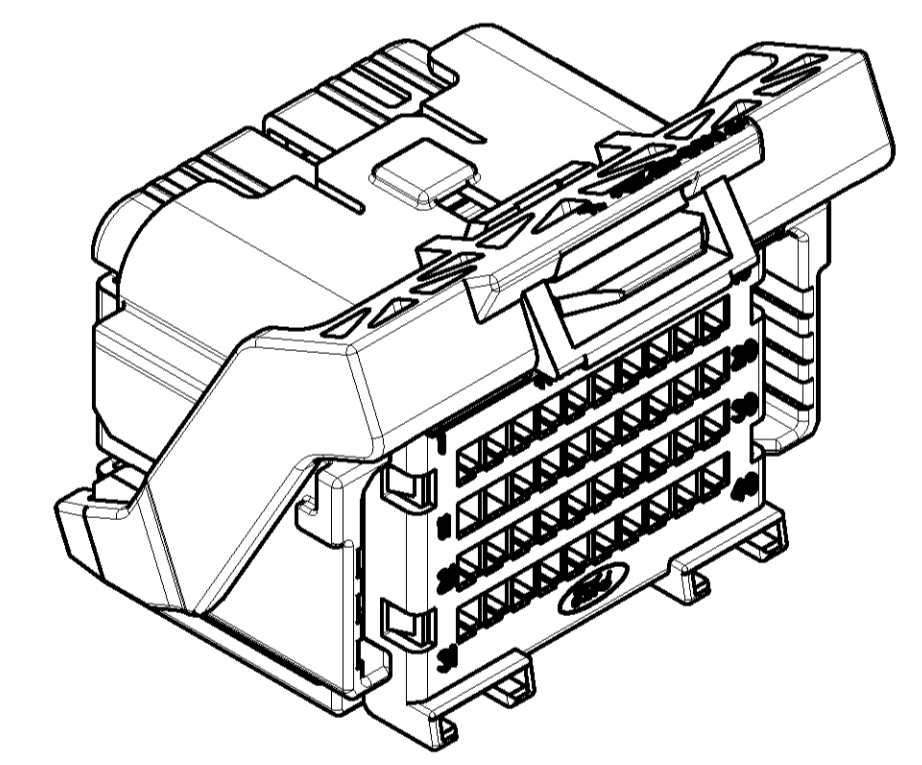
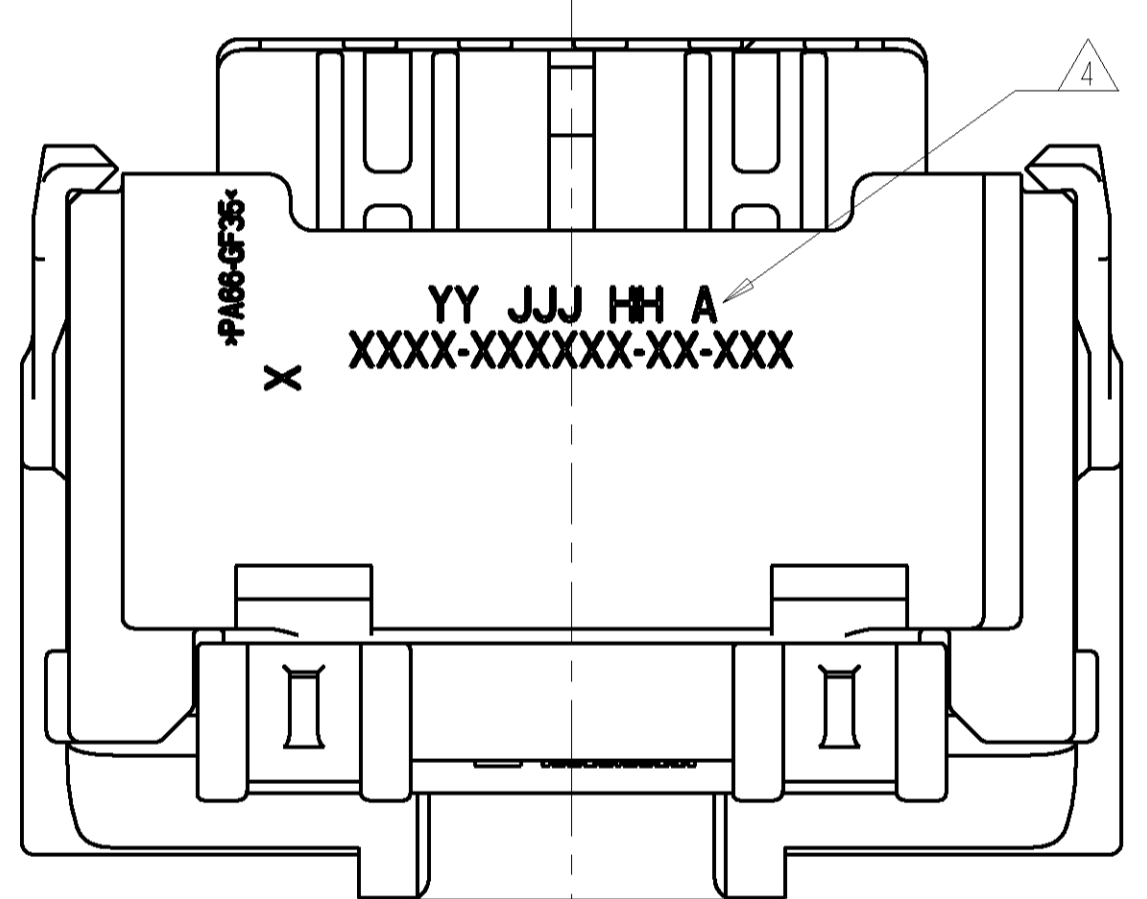
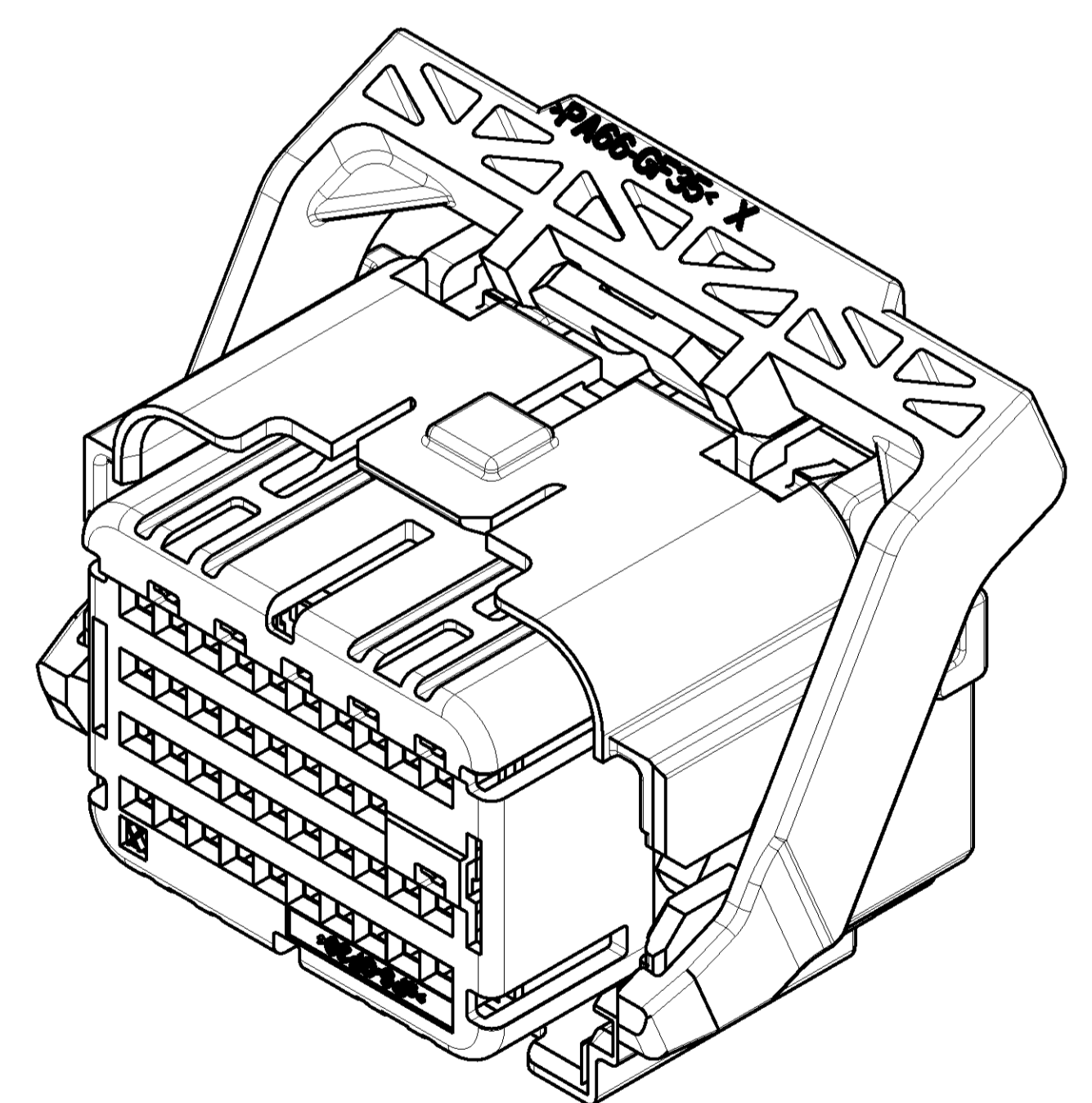


REVISONS		DATE	OWN	APVD
D	REVIS PER ECR 07-029132	07JAN2008	DLD	WTW
E	REVIS PER ECR 07-030366	08JAN2008	DLD	WTW
F	REVIS PER ECO 08-006962	19MAR2008	DLD	WTW



SECTION A-A
 SHOWN WITH CAM LEVER
 AND TPA IN THEIR
 PRE-LOADED POSITIONS
 (DELIVERY CONDITION)

MINIMUM FEED THROUGH CONDITION
 WITH 1mm CLEARANCE ALL AROUND
 SHOWN WITH OPTION WIRESHIELD
 TPA IS IN IT'S LOADED POSITION
 CAM LEVER IS IN IT'S PRE-LOADED POSITION



- NOTE(S):
- APPLICABLE TERMINAL PART NUMBERS (SOLD SEPARATELY):
 FOR TIN APPLICATIONS: 1393367 AND 1393366.
 FOR GOLD APPLICATIONS: 1393365 AND 1393364.
 FOR TERMINATION AND REELING OPTIONS
 SEE DRAWINGS 1393367, 1393366, 1393365, AND 1393364.
 - COMPATIBLE WIRE SIZES FOR MAT SEAL DESIGN 1.19 TO 2.06 O.D.
 (22-18 AWG, 0.35-0.75 mm²)
 - TPA AND CAM LEVER ARE SHIPPED IN THEIR PRE-LOADED POSITION.
 ALL ASSEMBLIES ARE TO BE TRAY PACKAGED.
 - CUSTOMER PART NUMBER AND TRACEABILITY CODE (YY = TWO DIGIT YEAR,
 JJJ = JULIAN DAY, HH = TWO DIGIT MILITARY HOUR, A=ASSEMBLY PROCESS
 USED) ARE PRINTED IN THIS LOCATION.
 - PART ASSEMBLY WEIGHT WITHOUT TERMINALS AND WITH STANDARD PIN-OUT
 CONFIGURATION IS 26.09 GRAMS.
 - OPTIONAL WIRESHIELD P/N 8-1419157-8 (SOLD SEPARATELY). PLEASE CONTACT
 YOUR TYCO ELECTRONICS SALES REPRESENTATIVE FOR AVAILABILITY AND PRICING.

DIMENSIONS:		TOLERANCES UNLESS OTHERWISE SPECIFIED:		DRAWN: A. HOLT 14NOV2006		Tyco Electronics Harrisburg, PA 17105-3608	
mm	0 PLC ±0.3	1 PLC ±0.10	2-4 PLC ±0.15	5-6 PLC ±0.20	7-8 PLC ±0.25	9-10 PLC ±0.30	11-12 PLC ±0.35
FINISH:	-			WEIGHT: SEE NOTE 5	SIZE: 00779	CAGE CODE: 1924170	RESTRICTED TO: -
MATERIAL: SEE CHART ON SHEET 2				CUSTOMER DRAWING		SCALE: 3:1 SHEET 1 OF 5 REV F	

KEYING OPTION "G" SHOWN
 SEE SHEET 2 FOR BILL OF MATERIALS
 AND SHEET 3, 4 AND 5 FOR PIN-OUT CHARTS

LOC	DIST	REVISIONS			
		REV	DATE	BY	APPV
FX	00	-	SEE SHEET 1	-	-

ITEM	DESCRIPTION	MATERIAL	FINISH/COLOR
6	CAM LEVER	PA66 35% GF	GRAY
6	CAM LEVER WITH MODIFIED TAB	PA66 35% GF	GRAY
5	PERIMETER SEAL	SILICONE	GREEN
4	GROMMET	SILICONE	BROWN
3	COVER	PA66 35% GF	BLACK
2	TPA FOR SHORTING BAR APPLICATIONS	sPS 30% GF	NATURAL
1	PLUG WITH KEYING OPTION "H" AND 6 SHORTING BAR POSITIONS CONFIGURATION	PA66 35% GF	BLACK
1	PLUG WITH KEYING OPTION "G" AND 6 SHORTING BAR POSITIONS CONFIGURATION	PA66 35% GF	BLACK

QUANTITY

ITEM	DESCRIPTION	MATERIAL	FINISH/COLOR
6	CAM LEVER	PA66 35% GF	GRAY
6	CAM LEVER WITH MODIFIED TAB	PA66 35% GF	GRAY
5	PERIMETER SEAL	SILICONE	GREEN
4	GROMMET	SILICONE	BROWN
3	COVER	PA66 35% GF	BLACK
2	TPA FOR SHORTING BAR APPLICATIONS	sPS 30% GF	NATURAL
1	PLUG WITH KEYING OPTION "H" AND 6 SHORTING BAR POSITIONS CONFIGURATION	PA66 35% GF	BLACK
1	PLUG WITH KEYING OPTION "G" AND 6 SHORTING BAR POSITIONS CONFIGURATION	PA66 35% GF	BLACK

ITEM	DESCRIPTION	MATERIAL	FINISH/COLOR
6	CAM LEVER	PA66 35% GF	GRAY
6	CAM LEVER WITH MODIFIED TAB	PA66 35% GF	GRAY
5	PERIMETER SEAL	SILICONE	GREEN
4	GROMMET	SILICONE	BROWN
3	COVER	PA66 35% GF	BLACK
2	TPA FOR SHORTING BAR APPLICATIONS	sPS 30% GF	NATURAL
1	PLUG WITH KEYING OPTION "H" AND 6 SHORTING BAR POSITIONS CONFIGURATION	PA66 35% GF	BLACK
1	PLUG WITH KEYING OPTION "G" AND 6 SHORTING BAR POSITIONS CONFIGURATION	PA66 35% GF	BLACK

QUANTITY

ITEM	DESCRIPTION	MATERIAL	FINISH/COLOR
6	CAM LEVER	PA66 35% GF	GRAY
6	CAM LEVER WITH MODIFIED TAB	PA66 35% GF	GRAY
5	PERIMETER SEAL	SILICONE	GREEN
4	GROMMET	SILICONE	BROWN
3	COVER	PA66 35% GF	BLACK
2	TPA FOR SHORTING BAR APPLICATIONS	sPS 30% GF	NATURAL
1	PLUG WITH KEYING OPTION "H" AND 6 SHORTING BAR POSITIONS CONFIGURATION	PA66 35% GF	BLACK
1	PLUG WITH KEYING OPTION "G" AND 6 SHORTING BAR POSITIONS CONFIGURATION	PA66 35% GF	BLACK

DIMENSIONS: mm 		TOLERANCES UNLESS OTHERWISE SPECIFIED: 0 PLC #+ 1 PLC #+0.3 2 PLC #+0.10 3 PLC #+ 4 PLC #+ ANGLES #+		DWN A. HOLT 14NOV2006 CHK W. WELLSKY 14NOV2006 APVD W. WELLSKY 14NOV2006 NAME: 40 WAY SHORTING BAR ARM PLUG ASSEMBLY WITHOUT SHORTING BARS LOADED SIZE: A1 WEIGHT: - CUSTOMER DRAWING: -		Tyco Electronics Harrisburg, PA 17105-3608 SCALE: 3:1 SHEET: 2 OF 5 REV: F	
-----------------------	--	--	--	--	--	--	--

LOC	QTY	REV	DATE	BY	APPV
FX	00				

PIN OUT CHART

BLANK CAVITIES INDICATE OPEN TERMINAL HOLE POSITIONS

CAVITIES WITH A NUMERIC SYMBOL INDICATE CLOSED TERMINAL HOLE POSITIONS

TERMINAL HOLE POSITION																																								ASSEMBLY PART NUMBER	KEYING OPTION						
1	2	3	4	5	6	7	8	9	10	11	12	13	14	15	16	17	18	19	20	21	22	23	24	25	26	27	28	29	30	31	32	33	34	35	36	37	38	39	40								
											11	12																														0-1924172-1	G				
1	2	3	4	5	6	7	8	9	10	11	12	13	14	15	16	17	18			21	22																						0-1924172-2	G			
			3	4	5	6	7	8	9	10	11	12	13	14	15	16																												0-1924172-3	G		
							7	8	9	10	11	12	13	14	15	16																													0-1924172-4	G	
							7	8	9	10	11	12																																	0-1924172-5	G	
1	2	3	4	5	6	7	8	9	10	11	12	13	14	15	16					21	22																								0-1924172-6	G	
							7	8	9	10	11	12					17	18																											0-1924172-7	G	
							7	8	9	10	11	12	13	14	15	16	17	18																											0-1924172-8	G	
1	2	3	4	5	6	7	8	9	10	11	12	13	14	15	16					21	22																								0-1924172-9	G	
							7	8	9	10	11	12																																		1-1924172-0	G
							7	8	9	10	11	12	13	14	15	16																														1-1924172-1	G
1	2	3	4	5	6	7	8	9	10	11	12	13	14	15	16					19	20	21	22	23	24																				1-1924172-2	G	
1	2					7	8	9	10	11	12										21	22																								1-1924172-3	G
			3	4	5	6					11	12																																		1-1924172-4	G
			3	4	5	6																																								1-1924172-5	G
			3	4	5	6					11	12																																		1-1924172-6	G

PIN OUT CHART

BLANK CAVITIES INDICATE OPEN TERMINAL HOLE POSITIONS

CAVITIES WITH A NUMERIC SYMBOL INDICATE CLOSED TERMINAL HOLE POSITIONS

TERMINAL HOLE POSITION																																								ASSEMBLY PART NUMBER	KEYING OPTION								
1	2	3	4	5	6	7	8	9	10	11	12	13	14	15	16	17	18	19	20	21	22	23	24	25	26	27	28	29	30	31	32	33	34	35	36	37	38	39	40										
							7	8	9	10	11	12								19	20																										0-1924173-1	H	
				5	6	7	8	9	10	11	12	13	14	15	16					19	20																											0-1924173-2	H
												13	14	15	16																																	0-1924173-3	H
1	2	3	4							9	10	11	12	13	14	15	16				21	22																									0-1924173-4	H	
1	2	3	4	5	6	7	8	9	10	11	12	13	14	15	16					21	22	23	24	25	26	27	28	29	30	31	32	33	34													0-1924173-5	H		
										9	10	11	12																																			0-1924173-6	H
							7	8	9	10	11	12																																				0-1924173-7	H
							7	8	9	10	11	12																																			0-1924173-8	H	
1	2	3	4	5	6	7	8	9	10	11	12	13	14	15	16				20	21	22																									0-1924173-9	H		
1	2	3	4	5	6	7	8	9	10	11	12	13	14	15	16					21	22																										1-1924173-0	H	
1	2	3	4	5	6	7	8	9	10	11	12	13	14	15	16					21	22																									1-1924173-1	H		
1	2	3	4	5	6	7	8	9	10	11	12	13	14	15	16					21	22																									1-1924173-2	H		
										9	10	11	12																																			1-1924173-3	H
1	2					7	8	9	10	11	12	13	14	15	16					21	22																										1-1924173-4	H	
1	2	3	4	5	6	7	8	9	10	11	12	13	14	15	16					21	22																										1-1924173-5	H	
1	2	3	4	5	6	7	8	9	10	11	12	13	14	15	16					21	22																										1-1924173-6	H	
1	2					7	8	9	10	11	12	13	14	15	16					21	22																										1-1924173-7	H	
1	2	3	4	5	6	7	8	9	10	11	12	13	14	15	16					21		23																								1-1924173-8	H		
			3	4	5	6					11	12																																			1-1924173-9	H	
			3	4	5	6					11	12																																			2-1924173-0	H	
			3	4	5	6					11	12																																			2-1924173-1	H	

<small>THIS DRAWING IS UNPUBLISHED. RELEASED FOR PUBLICATION APRIL 20, 2002. ALL RIGHTS RESERVED.</small>		DWN: A. HOLT 14NOV2006 CHK: W. WELLINSKY 14NOV2006 APVD: W. WELLINSKY 14NOV2006	Tyco Electronics Harrisburg, PA 17105-3608
DIMENSIONS: mm	TOLERANCES UNLESS OTHERWISE SPECIFIED: 0 PLC ±.3 1 PLC ±.3 2 PLC ±.3 3 PLC ±.3 4 PLC ±.3 ANGLES ±.1°	PRODUCT SPEC: APPLICATION SPEC: WEIGHT: - CUSTOMER DRAWING	NAME: 40 WAY SHORTING BAR ARM PLUG ASSEMBLY WITHOUT SHORTING BARS LOADED SIZE: A 00779 C=1924170 SCALE: 3:1 SHEET 5 OF 5 REV F

Компания «Life Electronics» занимается поставками электронных компонентов импортного и отечественного производства от производителей и со складов крупных дистрибьюторов Европы, Америки и Азии.

С конца 2013 года компания активно расширяет линейку поставок компонентов по направлению коаксиальный кабель, кварцевые генераторы и конденсаторы (керамические, пленочные, электролитические), за счёт заключения дистрибьюторских договоров

Мы предлагаем:

- Конкурентоспособные цены и скидки постоянным клиентам.
- Специальные условия для постоянных клиентов.
- Подбор аналогов.
- Поставку компонентов в любых объемах, удовлетворяющих вашим потребностям.
- Приемлемые сроки поставки, возможна ускоренная поставка.
- Доставку товара в любую точку России и стран СНГ.
- Комплексную поставку.
- Работу по проектам и поставку образцов.
- Формирование склада под заказчика.
- Сертификаты соответствия на поставляемую продукцию (по желанию клиента).
- Тестирование поставляемой продукции.
- Поставку компонентов, требующих военную и космическую приемку.
- Входной контроль качества.
- Наличие сертификата ISO.

В составе нашей компании организован Конструкторский отдел, призванный помогать разработчикам, и инженерам.

Конструкторский отдел помогает осуществить:

- Регистрацию проекта у производителя компонентов.
- Техническую поддержку проекта.
- Защиту от снятия компонента с производства.
- Оценку стоимости проекта по компонентам.
- Изготовление тестовой платы монтаж и пусконаладочные работы.



Тел: +7 (812) 336 43 04 (многоканальный)

Email: org@lifeelectronics.ru