

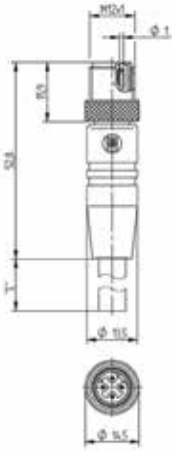




Ethernet Single-Ended and Double-End Cord Sets for Railway Applications

CAT5e (PROFINET), Shielded, 4-Poles, D coding

| Type | 0985 508 120 | 0985 508 121 | | | | | | | | | | | | | | | | | | | | | | | | |
|--------------------------------|---|---|--------------|------------------|-------------|------------------|-------------|------------------|-------------|-------------------|-------------|-------------------|-------------|--|-------------|--------------|---|---|------------------|-------------|------------------|-------------|-------------------|-------------|-------------------|-------------|
| |  |  | | | | | | | | | | | | | | | | | | | | | | | | |
| Product description | Cordset single-ended, M12, Industrial Ethernet data cable, Cat 5 (ProfiNet), single-ended molded with M12 male connector, 4 poles, D coding, PUR jacket, halogen-free, black, 1M, 2M, 5M, 10M, and 15M cable lengths. | Cord set, double-ended, M12-M12, Industrial Ethernet data cable, Cat 5 (ProfiNet), double-ended molded with M12 male connectors, 4 poles, D coding, PUR jacket, halogen-free, black, 2M, 5M, 10M and 15M cable lengths. | | | | | | | | | | | | | | | | | | | | | | | | |
| Note | Cat 5 and Cat 5e transmission properties according to ISO IEC 11801 and TIA/EIA-568-B.2. The application of these products in harsh environments should always be checked before use. | | | | | | | | | | | | | | | | | | | | | | | | | |
| Color of housing | black | | | | | | | | | | | | | | | | | | | | | | | | | |
| Number of contacts | 4 | | | | | | | | | | | | | | | | | | | | | | | | | |
| Product characteristics | Oil resistance, EMC resistance, UV resistance, Drag chains suitable | | | | | | | | | | | | | | | | | | | | | | | | | |
| Ordering information | <table border="1"> <thead> <tr> <th>Part number</th> <th>Order number</th> </tr> </thead> <tbody> <tr> <td>0985 508 120/1 M</td> <td>934 688-015</td> </tr> <tr> <td>0985 508 120/2 M</td> <td>934 688-011</td> </tr> <tr> <td>0985 508 120/5 M</td> <td>934 688-012</td> </tr> <tr> <td>0985 508 120/10 M</td> <td>934 688-013</td> </tr> <tr> <td>0985 508 120/15 M</td> <td>934 688-014</td> </tr> </tbody> </table> | Part number | Order number | 0985 508 120/1 M | 934 688-015 | 0985 508 120/2 M | 934 688-011 | 0985 508 120/5 M | 934 688-012 | 0985 508 120/10 M | 934 688-013 | 0985 508 120/15 M | 934 688-014 | <table border="1"> <thead> <tr> <th>Part number</th> <th>Order number</th> </tr> </thead> <tbody> <tr> <td>-</td> <td>-</td> </tr> <tr> <td>0985 508 121/2 M</td> <td>934 688-007</td> </tr> <tr> <td>0985 508 121/5 M</td> <td>934 688-008</td> </tr> <tr> <td>0985 508 121/10 M</td> <td>934 688-009</td> </tr> <tr> <td>0985 508 121/15 M</td> <td>934 688-010</td> </tr> </tbody> </table> | Part number | Order number | - | - | 0985 508 121/2 M | 934 688-007 | 0985 508 121/5 M | 934 688-008 | 0985 508 121/10 M | 934 688-009 | 0985 508 121/15 M | 934 688-010 |
| Part number | Order number | | | | | | | | | | | | | | | | | | | | | | | | | |
| 0985 508 120/1 M | 934 688-015 | | | | | | | | | | | | | | | | | | | | | | | | | |
| 0985 508 120/2 M | 934 688-011 | | | | | | | | | | | | | | | | | | | | | | | | | |
| 0985 508 120/5 M | 934 688-012 | | | | | | | | | | | | | | | | | | | | | | | | | |
| 0985 508 120/10 M | 934 688-013 | | | | | | | | | | | | | | | | | | | | | | | | | |
| 0985 508 120/15 M | 934 688-014 | | | | | | | | | | | | | | | | | | | | | | | | | |
| Part number | Order number | | | | | | | | | | | | | | | | | | | | | | | | | |
| - | - | | | | | | | | | | | | | | | | | | | | | | | | | |
| 0985 508 121/2 M | 934 688-007 | | | | | | | | | | | | | | | | | | | | | | | | | |
| 0985 508 121/5 M | 934 688-008 | | | | | | | | | | | | | | | | | | | | | | | | | |
| 0985 508 121/10 M | 934 688-009 | | | | | | | | | | | | | | | | | | | | | | | | | |
| 0985 508 121/15 M | 934 688-010 | | | | | | | | | | | | | | | | | | | | | | | | | |
| Technical illustration | M12  | M12 to M12  | | | | | | | | | | | | | | | | | | | | | | | | |
| Face views / Wiring |  <ul style="list-style-type: none"> 1 = Yellow 2 = White 3 = Orange 4 = Blue | | | | | | | | | | | | | | | | | | | | | | | | | |

Be Certain with Belden



Ethernet Single-Ended and Double-Ende Cord Sets for Railway Applications

CAT5e (PROFINET), Shielded, 4-Poles, D coding

| Environmental conditions | 0985 508 120 | 0985 508 121 |
|---------------------------------------|---|-----------------------|
| Environmental temperature | IP 67 | |
| Degree of protection (IP), mounted | -40°C to +85°C | |
| Pollution degree | 3 | |
| Classifications | | |
| Belden class | Industrial Ethernet Railway Connectors | |
| Belden brand | Lumberg Automation | |
| Mechanical data | | |
| Type of plug-in contact | Male | Male to Male |
| Design of housing | Striaight | Straight to Striaight |
| Thread | M12 | M12 to M12 |
| Coding | D | |
| Materials | | |
| Housing material / Molded body | PA | |
| Contact bearer material | PBT | |
| Contact material | CuSn | |
| Contact material / Surface refinement | gold-plated | |
| Knurled screw / nut material | CuZn, nickel-plated | |
| Approvals | | |
| Approvals | EN 50155, IEC 61373, DIN CLC/TS 50467, DIN CEN/TS 45545, DIN 5510 | |
| RoHS 2002/95 EG compliant | yes | |
| Cable specifications | | |
| Cable jacket | PUR | |
| Color | Black | |
| Gauge | 26 AWG | |
| Overall diameter | 6.5 mm | |
| Conductor | 8 | |
| Insulation | PE | |
| Foil shield | yes | |
| Braided shield | yes | |
| Electrical data | | |
| Contact resistance | ≤ 5 mΩ | |
| Rated current I _n | 4 A at 40°C | |
| Nominal voltage | 60 V | |
| Rated voltage | 250 V | |
| Test voltage | 2 kV eff./60 s | |
| Insulation resistance | > 1 GΩ | |

The application of these products in harsh environments should always be checked before use.
Specifications subject to alteration.

Компания «Life Electronics» занимается поставками электронных компонентов импортного и отечественного производства от производителей и со складов крупных дистрибьюторов Европы, Америки и Азии.

С конца 2013 года компания активно расширяет линейку поставок компонентов по направлению коаксиальный кабель, кварцевые генераторы и конденсаторы (керамические, пленочные, электролитические), за счёт заключения дистрибьюторских договоров

Мы предлагаем:

- Конкурентоспособные цены и скидки постоянным клиентам.
- Специальные условия для постоянных клиентов.
- Подбор аналогов.
- Поставку компонентов в любых объемах, удовлетворяющих вашим потребностям.
- Приемлемые сроки поставки, возможна ускоренная поставка.
- Доставку товара в любую точку России и стран СНГ.
- Комплексную поставку.
- Работу по проектам и поставку образцов.
- Формирование склада под заказчика.
- Сертификаты соответствия на поставляемую продукцию (по желанию клиента).
- Тестирование поставляемой продукции.
- Поставку компонентов, требующих военную и космическую приемку.
- Входной контроль качества.
- Наличие сертификата ISO.

В составе нашей компании организован Конструкторский отдел, призванный помогать разработчикам, и инженерам.

Конструкторский отдел помогает осуществить:

- Регистрацию проекта у производителя компонентов.
- Техническую поддержку проекта.
- Защиту от снятия компонента с производства.
- Оценку стоимости проекта по компонентам.
- Изготовление тестовой платы монтаж и пусконаладочные работы.



Тел: +7 (812) 336 43 04 (многоканальный)

Email: org@lifeelectronics.ru