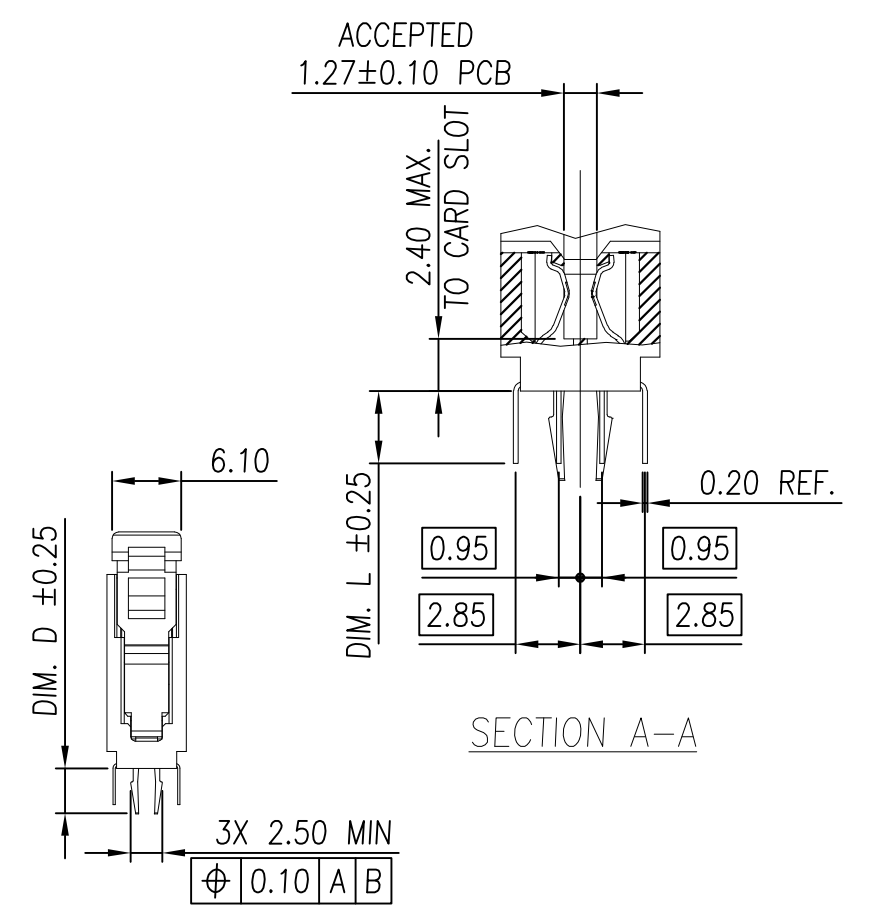
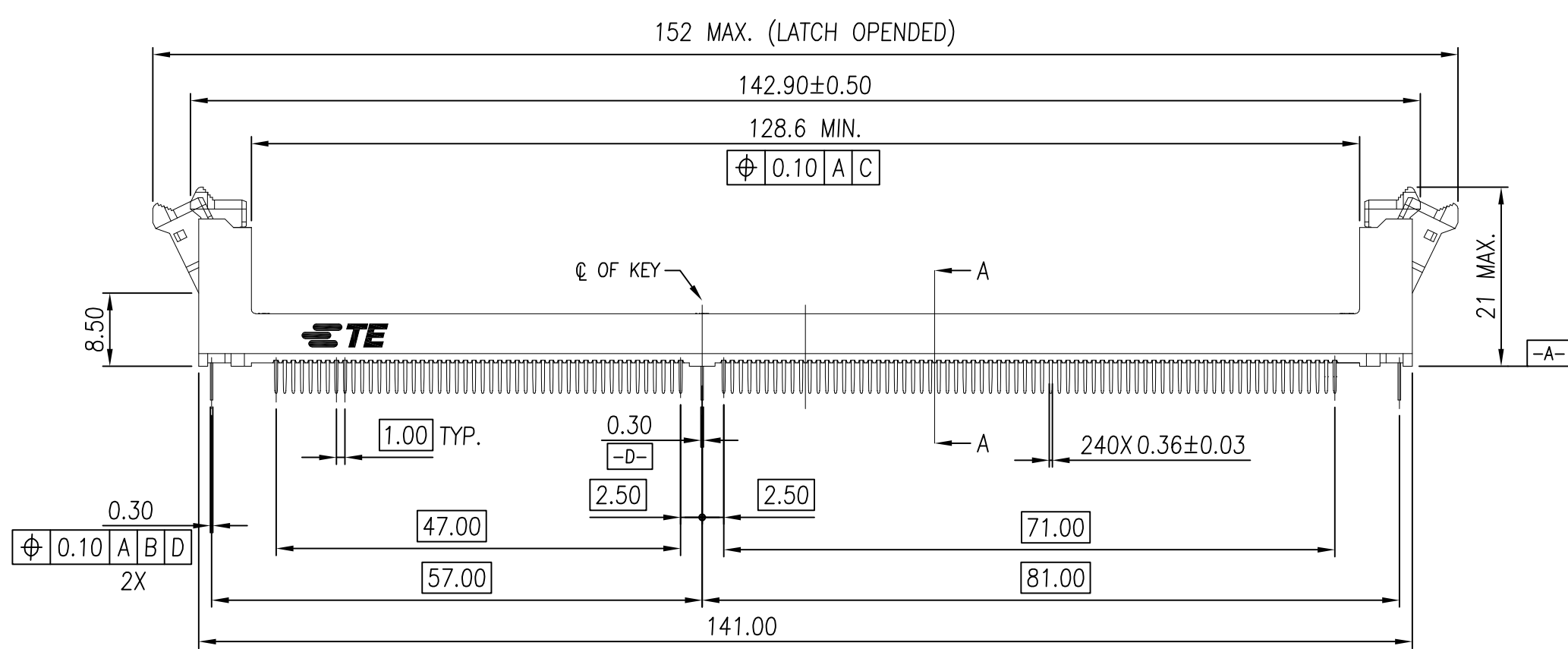
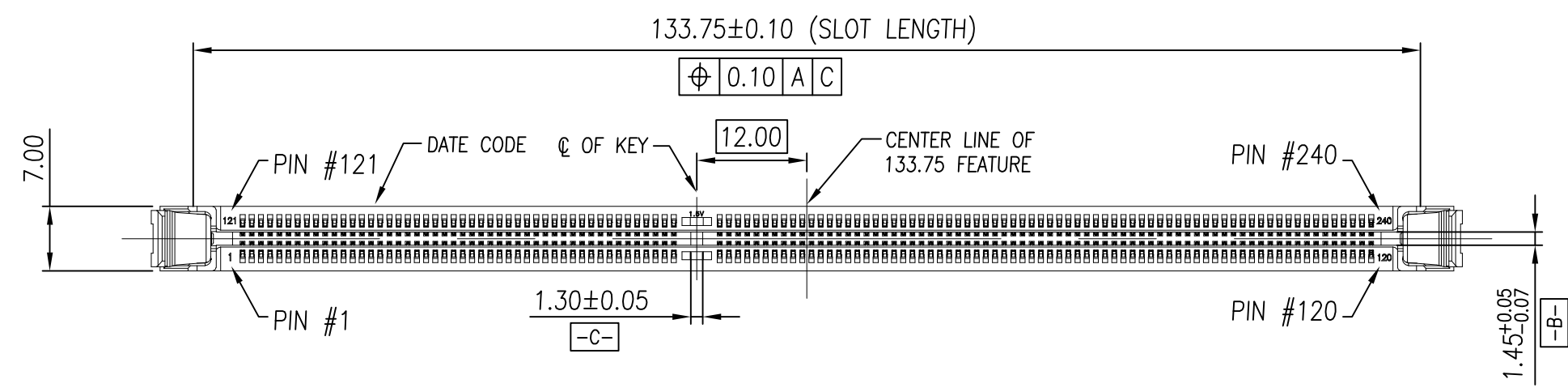


THIS DRAWING IS UNPUBLISHED. RELEASED FOR PUBLICATION
 © COPYRIGHT - By - ALL RIGHTS RESERVED.

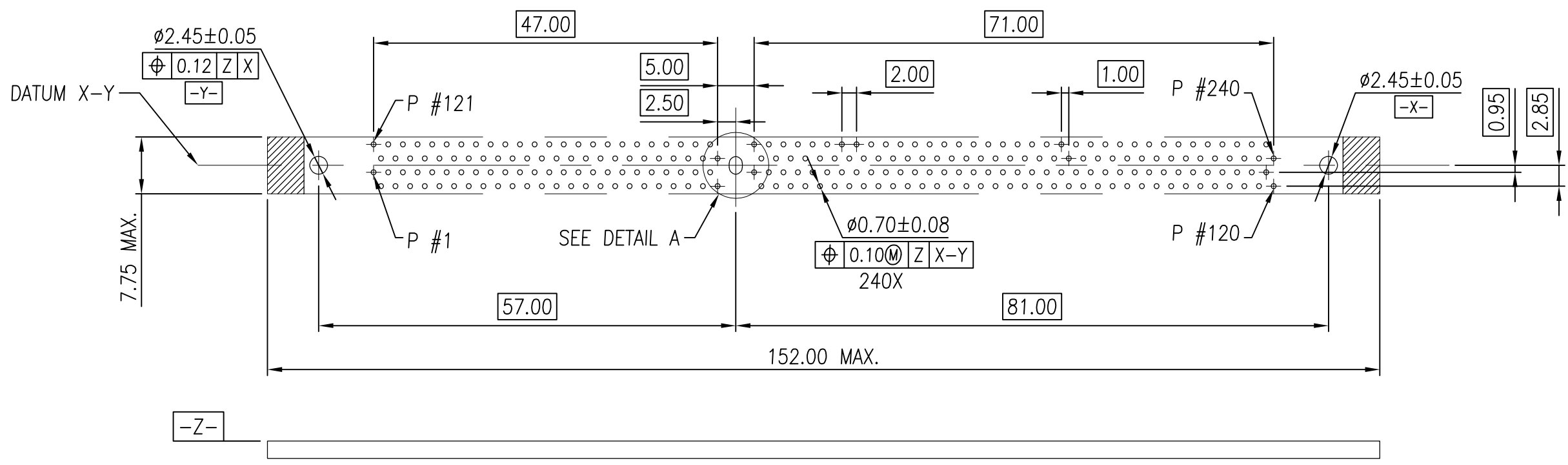
| LOC | DIST | REVISIONS | | | | |
|-----|------|-----------|-------------|-------------|------|-----|
| | | P | LTR | DESCRIPTION | DATE | DWN |
| - | - | B7 | PRELIMINARY | 16DEC2014 | D.Z | S.L |



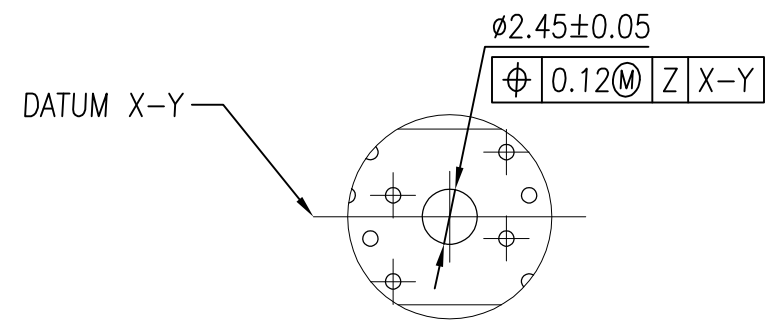
| | | | | | | |
|--|--|---------------------------------|---|---|------------|---------------|
| THIS DRAWING IS A CONTROLLED DOCUMENT. | | DWN SIMON WU 30DEC2010 | PRELIMINARY TE Connectivity | | | |
| DIMENSIONS: mm | | CHK BILL WONG 30DEC2010 | | | | |
| TOLERANCES UNLESS OTHERWISE SPECIFIED: | | APVD COREL WANG 30DEC2010 | | | | |
| 0 PLC ± - 1 PLC ± 0.30 2 PLC ± 0.15 3 PLC ± - 4 PLC ± - ANGLES ± 1° | | NAME | | | | |
| MATERIAL SEE NOTE | | FINISH SEE NOTE | PRODUCT SPEC 108-115019 | SOCKET ASSEMBLY VLP DDR-III, T/H, 240P | | |
| | | APPLIC. SPEC | SIZE | CAGE CODE | DRAWING NO | RESTRICTED TO |
| | | WEIGHT 7.82 | A3 | 00779 | C-1932680 | - |
| | | CUSTOMER DRAWING | SCALE 3:2 | SHEET 1 OF 6 | REV B7 | |

THIS DRAWING IS UNPUBLISHED. RELEASED FOR PUBLICATION
 © COPYRIGHT - By - ALL RIGHTS RESERVED.

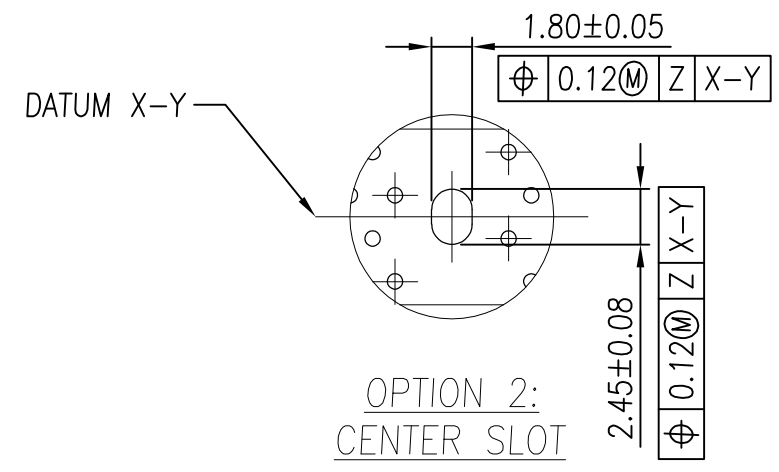
| LOC | DIST | REVISIONS | | | |
|-----|------|-------------|------|-----|------|
| P | LTR | DESCRIPTION | DATE | DWN | APVD |
| - | - | SEE SHEET 1 | - | - | - |



RECOMMENDED PCB LAYOUT (TOP VIEW)




OPTION 1:
CENTER ROUND
HOLE



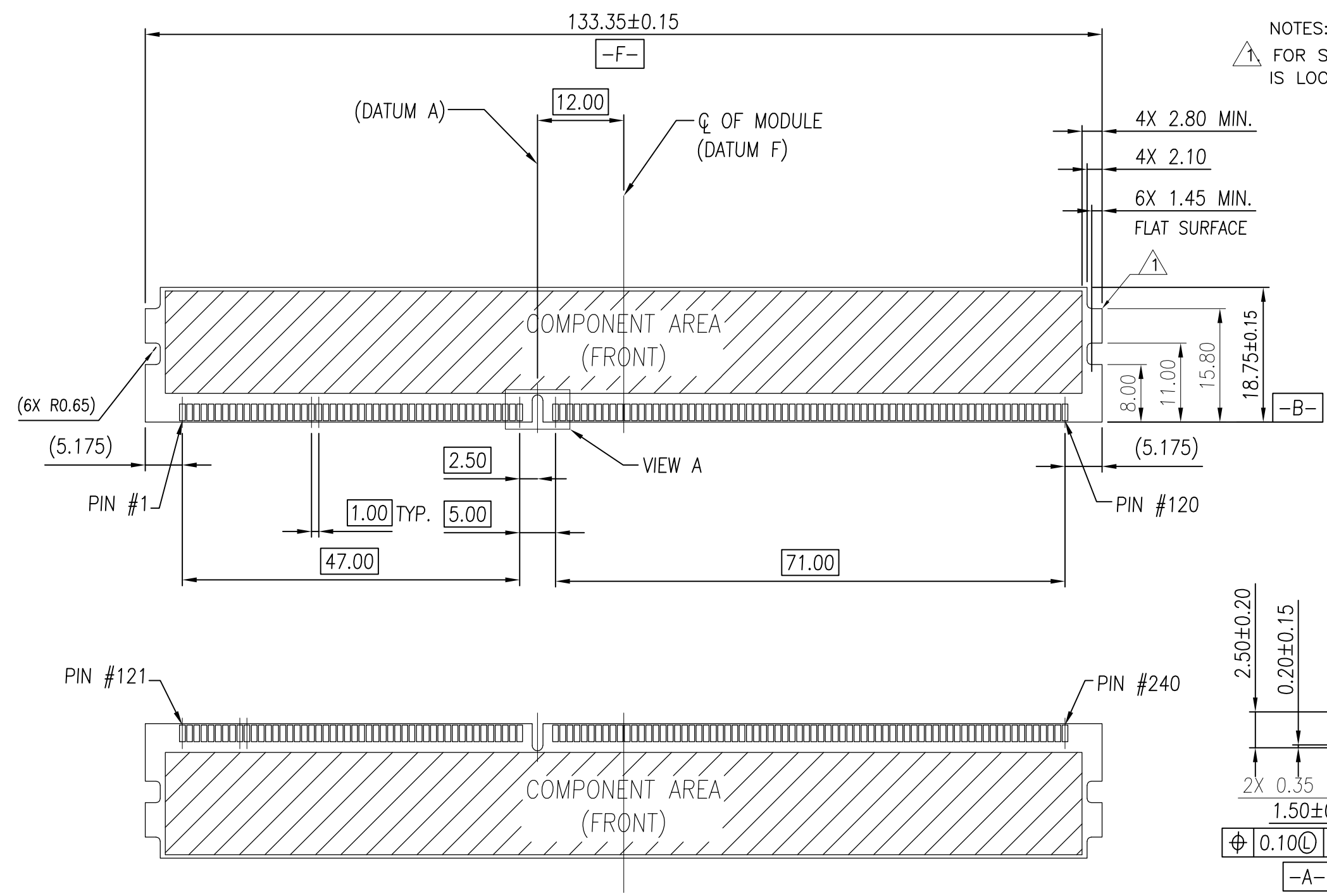
OPTION 2:
CENTER SLOT

DETAIL A
SCALE 3:1

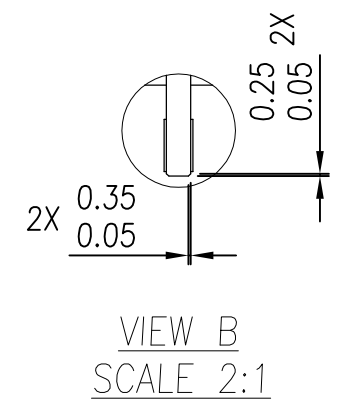
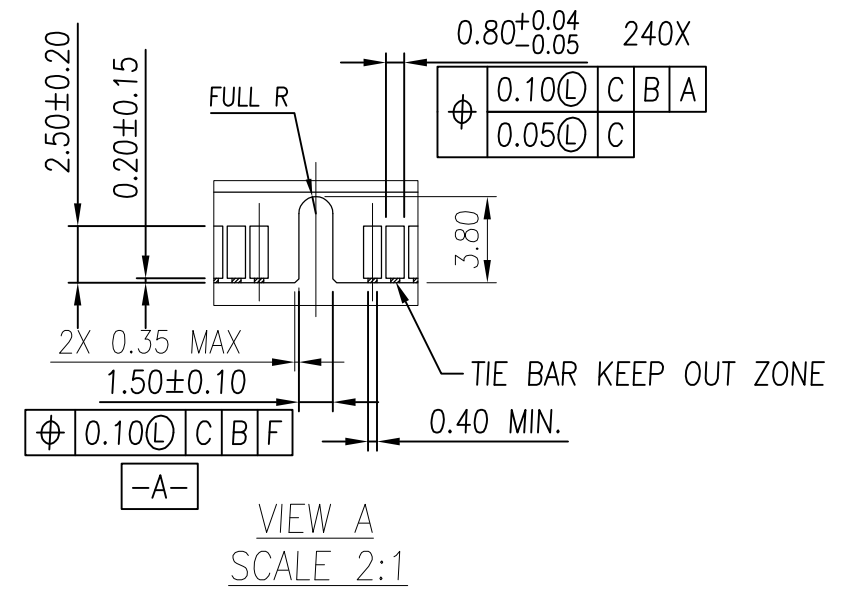
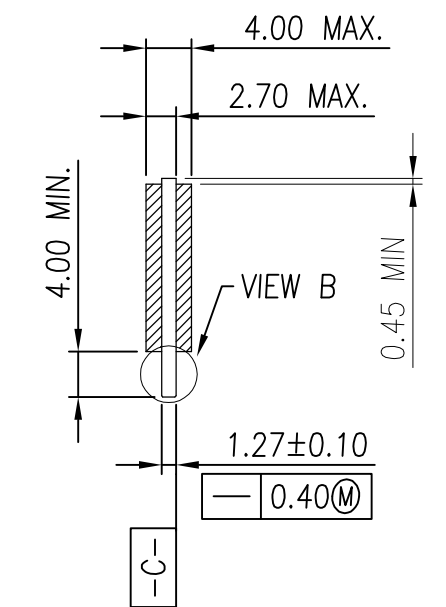
| | | | | | | | |
|--|--|---------------------------------|---|--------------|--------------------|-------------------------|---------------|
| THIS DRAWING IS A CONTROLLED DOCUMENT. | | DWN SIMON WU 30DEC2010 |  TE Connectivity | | | | |
| DIMENSIONS: mm | | CHK BILL WONG 30DEC2010 | | | | | |
| TOLERANCES UNLESS OTHERWISE SPECIFIED: | | APVD COREL WANG 30DEC2010 | NAME | | | | |
| 0 PLC ± - 1 PLC ± 0.30 2 PLC ± 0.15 3 PLC ± - 4 PLC ± - ANGLES ± 1° | | PRODUCT SPEC | SOCKET ASSEMBLY VLP DDR-III, T/H, 240P | | | | |
| MATERIAL SEE NOTE | | FINISH SEE NOTE | APPLICATION SPEC | SIZE A3 | CAGE CODE 00779 | DRAWING NO C-1932680 | RESTRICTED TO |
| CUSTOMER DRAWING | | | WEIGHT - | SCALE 3:2 | SHEET 2 OF 6 | REV B7 | |

THIS DRAWING IS UNPUBLISHED. RELEASED FOR PUBLICATION
 © COPYRIGHT - By - ALL RIGHTS RESERVED.

| LOC | DIST | REVISIONS | | | |
|-----|------|-------------|------|-----|------|
| P | LTR | DESCRIPTION | DATE | DWN | APVD |
| - | - | SEE SHEET 1 | - | - | - |



NOTES:
 △ FOR STD VLP MODULE, THE LATCH OF CONNECTOR IS LOCKED BY UPPER NOTCH.



| | | | | | |
|--|--|---------------------------------|-----------------|-----------|--------------|
| THIS DRAWING IS A CONTROLLED DOCUMENT. | | DWN SIMON_WU 30DEC2010 | TE Connectivity | | |
| DIMENSIONS: mm | | CHK BILL_WONG 30DEC2010 | | | |
| TOLERANCES UNLESS OTHERWISE SPECIFIED: | | APVD COREL_WANG 30DEC2010 | NAME | | |
| 0 PLC ± - | | SOCKET ASSEMBLY | | | |
| 1 PLC ± 0.30 | | VLP DDR-III, T/H, 240P | | | |
| 2 PLC ± 0.15 | | SIZE | | | |
| 3 PLC ± - | | CAGE CODE | | | |
| 4 PLC ± - | | DRAWING NO | | | |
| ANGLES ± 1° | | RESTRICTED TO | | | |
| MATERIAL SEE NOTE | | WEIGHT | | | |
| FINISH SEE NOTE | | A3 00779 C-1932680 | | | |
| | | CUSTOMER DRAWING | | SCALE 3:2 | SHEET 4 OF 6 |
| | | | | REV B7 | |

THIS DRAWING IS UNPUBLISHED. RELEASED FOR PUBLICATION
 © COPYRIGHT - By - ALL RIGHTS RESERVED.

| LOC | | DIST | | REVISIONS | | | |
|-----|-----|-------------|---|-------------|-----|------|--|
| P | LTR | DESCRIPTION | | DATE | DWN | APVD | |
| - | - | - | - | SEE SHEET 1 | - | - | |


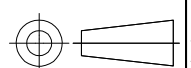
NOTES:

1. MATERIAL:
 - 1.1 HOUSING: THERMOPLASTIC, UL94V-0; COLOR: SEE TABLE.
 - 1.2 LATCH: THERMOPLASTIC, UL94V-0; COLOR: SEE TABLE.
 - 1.3 CONTACT: COPPER ALLOY.
 - 1.4 BOARDLOCK: COPPER ALLOY.
2. FINISH:
 - 2.1 CONTACT:
 - GOLD PLATING THICKNESS ON CONTACT AREA: SEE TABLE.
 - THICKNESS 100u" MIN. MATTE-TIN PLATING ON SOLDER TAIL AREA.
 - THICKNESS 90u" MIN. NICKEL UNDERPLATING OVERALL FOR 20u" GOLDPLATING.
 - THICKNESS 50u" MIN. NICKEL UNDERPLATING OVERALL FOR OTHER GOLDPLATING.
 - SEALANT APPLY IN PLATING PROCESS.
 - 2.2 BOARDLOCK:
 - THICKNESS 50u" MIN. NICKEL UNDERPLATING OVERALL.
 - THICKNESS 100u" MIN. MATTE-TIN PLATING OVERALL.

3. CONFORMS TO THE REQUIREMENTS OF EIA/ECA-364-1000.01A (CONTROLLED ENVIRONMENT APPLICATIONS, AND TE PRODUCT SPECIFICATION.)

- 4. LLCR SPEC.: 30mΩ MAX. INITIAL, THE CHANGE NOT GREATER THAN 20mΩ AFTER ALL ENVIRONMENT TEST.
- 5. LLCR SPEC.: 10mΩ MAX. INITIAL, THE CHANGE NOT GREATER THAN 10mΩ AFTER ALL ENVIRONMENT TEST.

| | | | | | | |
|------------|--------|--------|----------------------|-------------|---------------|-------------|
| SEE NOTE 5 | 4.00 | 4.00 | 30u" MIN | NATURAL | BLACK | 2-1932680-3 |
| SEE NOTE 5 | 2.67 | 3.50 | 15u" MIN | NATURAL | BLUE(2935U) | 2-1932680-2 |
| SEE NOTE 5 | 2.67 | 3.50 | 15u" MIN | NATURAL | BLACK | 2-1932680-1 |
| SEE NOTE 5 | 3.18 | 4.00 | 30u" MIN | BLACK | BLACK | 2-1932680-0 |
| SEE NOTE 5 | 3.18 | 4.00 | 20u" MIN | GREEN(375C) | BLACK | 1-1932680-9 |
| | | | 15u" MIN | NATURAL | BLUE(2935U) | 1-1932680-8 |
| | | | 15u" MIN | NATURAL | BLACK | 1-1932680-7 |
| | | | 20u" MIN | NATURAL | BLACK | 1-1932680-6 |
| SEE NOTE 5 | 2.54 | 3.50 | 20u" MIN | BLACK | BLACK | 1-1932680-5 |
| | | | 20u" MIN | GREEN(375C) | BLACK | 1-1932680-4 |
| SEE NOTE 5 | 2.54 | 3.50 | 20u" MIN | NATURAL | BLACK | 1-1932680-3 |
| | | | 20u" MIN | BLACK | BLACK | 1-1932680-2 |
| SEE NOTE 5 | 3.18 | 4.00 | 30u" MIN | NATURAL | BLACK | 1-1932680-1 |
| | | | 20u" MIN | GREEN(375C) | BLACK | 1-1932680-0 |
| | | | 15u" MIN | NATURAL | BLUE(2935U) | 1932680-8 |
| | | | 15u" MIN | NATURAL | BLACK | 1932680-6 |
| SEE NOTE 4 | 3.18 | 4.00 | 20u" MIN | NATURAL | BLACK | 1932680-4 |
| | | | 20u" MIN | BLACK | BLACK | 1932680-2 |
| LLCR SPEC. | DIM. L | DIM. D | CONTACT GOLD PLATING | LATCH COLOR | HOUSING COLOR | PART NUMBER |

| | | | | | | | | | |
|---|--|---------------------------------|--|--------------------|------------|---------------|--------------|--|--|
| THIS DRAWING IS A CONTROLLED DOCUMENT. | | DWN SIMON WU 30DEC2010 |  TE Connectivity SOCKET ASSEMBLY VLP DDR-III, T/H, 240P | | | | | | |
| DIMENSIONS: mm | | CHK BILL WONG 30DEC2010 | | | | | NAME | | |
|  | | APVD COREL WANG 30DEC2010 | | | | | PRODUCT SPEC | | |
| TOLERANCES UNLESS OTHERWISE SPECIFIED: | | APPLICATION SPEC | | | | | | | |
| 0 PLC ± - 1 PLC ± 0.30 2 PLC ± 0.15 3 PLC ± - 4 PLC ± - ANGLES ± 1° | | WEIGHT | SIZE | CAGE CODE | DRAWING NO | RESTRICTED TO | | | |
| MATERIAL SEE NOTE | | FINISH SEE NOTE | | A3 00779 C-1932680 | | - | | | |
| CUSTOMER DRAWING | | | | SCALE | SHEET | REV | | | |
| | | | | 3:2 | 5 OF 6 | B7 | | | |

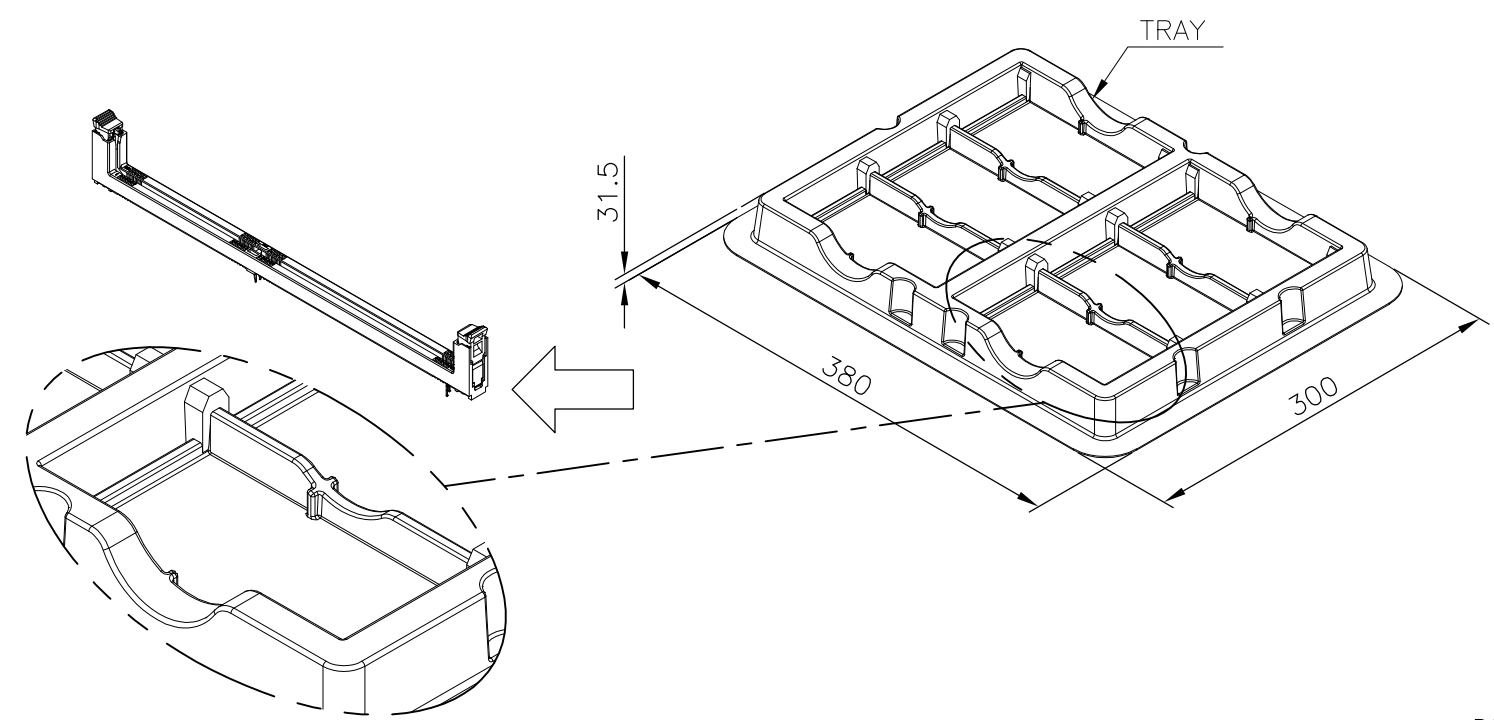
THIS DRAWING IS UNPUBLISHED.

RELEASED FOR PUBLICATION

© COPYRIGHT - By -

ALL RIGHTS RESERVED.

| LOC | DIST | REVISIONS | | | | | |
|-----|------|-----------|-----|-------------|------|-----|------|
| | | P | LTR | DESCRIPTION | DATE | DWN | APVD |
| - | - | - | - | SEE SHEET 1 | - | - | - |

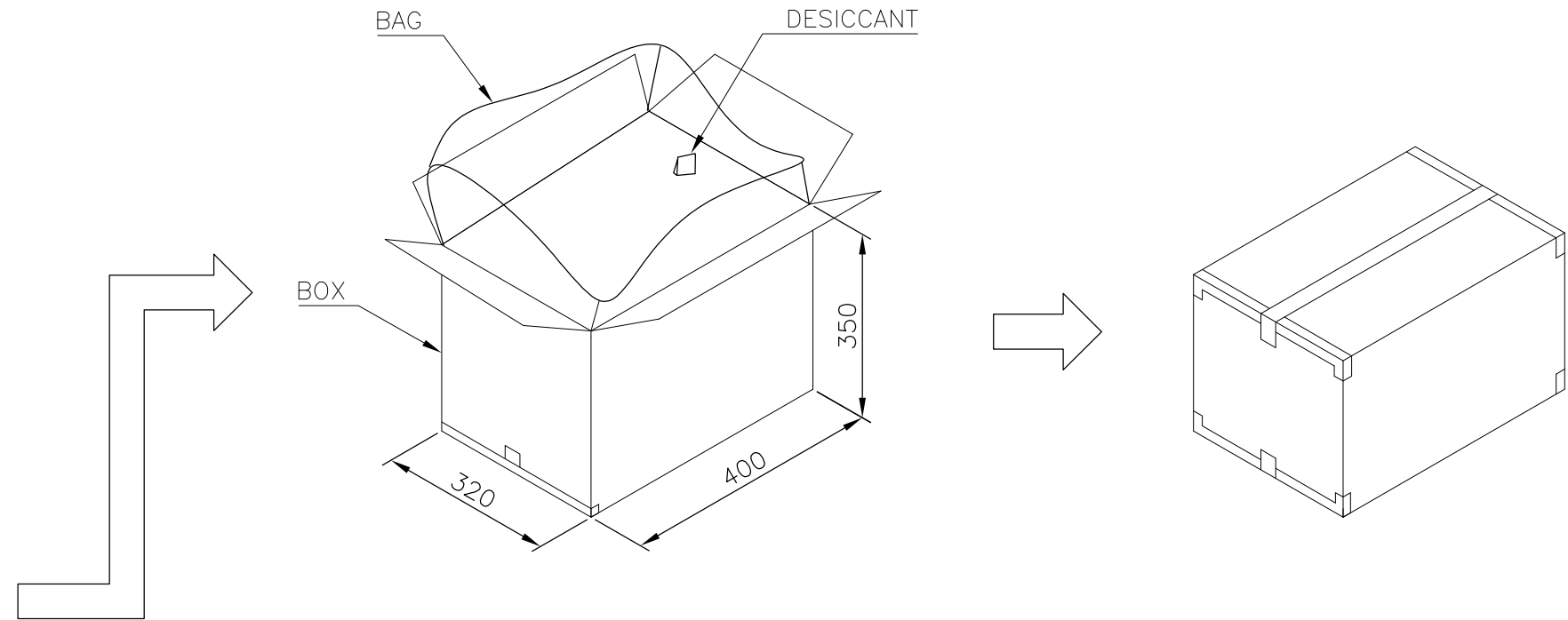
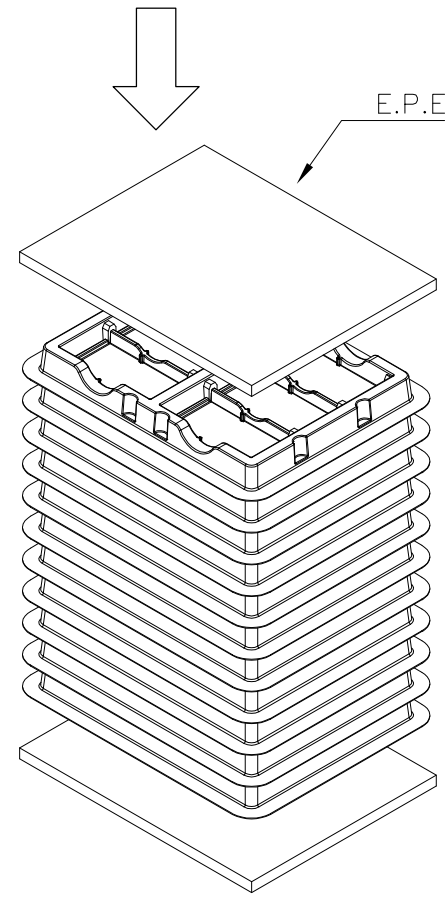


NOTES :

PACKING MATERIAL MET TE SPEC TEC-138-702.

- * CADMIUM AND CADMIUM COMPOUNDS CONTENT: 5 PPM UNDER (PLASTIC, RUBBER, INK, PIGMENT, PAINT)
- * LEAD, CADMIUM, CHROM VI AND MERCURY IN PACKAGING MATERIALS CONTENT: 100 PPM (COMBINED) UNDER.

- MATERIAL :
 TRAY: PVC, COLOR: TRANSPARENT.
 BOX: CORRUGATED FIBER
 TRANSPARENT BAG: PE, SIZE: 600mm*450mm*0.06mm
- EACH BAG SHALL BE INCLUDED:
 * DESICCANT



| | | | | |
|--------------|------------|-----------|-----------|----------|
| X.X KG | X.X KG | 54 | 10 | 540 |
| GROSS WEIGHT | NET WEIGHT | PCS/ TRAY | TRAY/ BOX | PCS/ BOX |

| | | | | | |
|--|--|---|----------------------------|--------------------|------------|
| THIS DRAWING IS A CONTROLLED DOCUMENT. | | DWN SIMON WU 30DEC2010 | STE TE Connectivity | | |
| DIMENSIONS: mm | | CHK BILL WONG 30DEC2010 | | | |
| TOLERANCES UNLESS OTHERWISE SPECIFIED: | | APVD COREL WANG 30DEC2010 | NAME | | |
| 0 PLC ± - | | SOCKET ASSEMBLY VLP DDR-III, T/H, 240P | | | |
| 1 PLC ± 0.30 | | | | | |
| 2 PLC ± 0.15 | | PRODUCT SPEC | | | |
| 3 PLC ± - | | APPLICATION SPEC | | | |
| 4 PLC ± - | | SIZE | | CAGE CODE | DRAWING NO |
| ANGLES ± 1° | | A3 | | 00779 | C-1932680 |
| MATERIAL SEE NOTE | | WEIGHT - | | RESTRICTED TO - | |
| FINISH SEE NOTE | | CUSTOMER DRAWING | | | |
| | | SCALE N/A | | SHEET 6 OF 6 | REV B7 |

Компания «Life Electronics» занимается поставками электронных компонентов импортного и отечественного производства от производителей и со складов крупных дистрибьюторов Европы, Америки и Азии.

С конца 2013 года компания активно расширяет линейку поставок компонентов по направлению коаксиальный кабель, кварцевые генераторы и конденсаторы (керамические, пленочные, электролитические), за счёт заключения дистрибьюторских договоров

Мы предлагаем:

- Конкурентоспособные цены и скидки постоянным клиентам.
- Специальные условия для постоянных клиентов.
- Подбор аналогов.
- Поставку компонентов в любых объемах, удовлетворяющих вашим потребностям.
- Приемлемые сроки поставки, возможна ускоренная поставка.
- Доставку товара в любую точку России и стран СНГ.
- Комплексную поставку.
- Работу по проектам и поставку образцов.
- Формирование склада под заказчика.
- Сертификаты соответствия на поставляемую продукцию (по желанию клиента).
- Тестирование поставляемой продукции.
- Поставку компонентов, требующих военную и космическую приемку.
- Входной контроль качества.
- Наличие сертификата ISO.

В составе нашей компании организован Конструкторский отдел, призванный помогать разработчикам, и инженерам.

Конструкторский отдел помогает осуществить:

- Регистрацию проекта у производителя компонентов.
- Техническую поддержку проекта.
- Защиту от снятия компонента с производства.
- Оценку стоимости проекта по компонентам.
- Изготовление тестовой платы монтаж и пусконаладочные работы.



Тел: +7 (812) 336 43 04 (многоканальный)

Email: org@lifeelectronics.ru