

The S-75V00ANC is a single 2-Input NAND Gate fabricated by utilizing advanced silicon-gate CMOS technology which provides the inherent benefit of CMOS low power consumption to achieve ultra high speed operation correspond to LSTTL IC's.

All gates of the internal circuitry have buffered outputs to ensure high noise immunity and output stability.

Input voltage is allowed to be applied even if power voltage is not supplied because no diode is inserted between an input pin and  $V_{CC}$ .

This allows for interfaces between power supplies of different voltage, output level conversion from 5 V to 3 V and battery backup applications.

### ■ Features

- Wide power supply range: 2 V to 5.5 V
- Low current consumption: 1.0  $\mu$ A max. (at 5.5 V, 25°C)
- Typical propagation delay:  $t_{PD} = 3.7$  ns (at 5 V)
- High noise immunity:  $V_{NIH} = V_{NIL} = 28\% V_{CC}$  min.
- Power down protection: All pins
- Lead-free

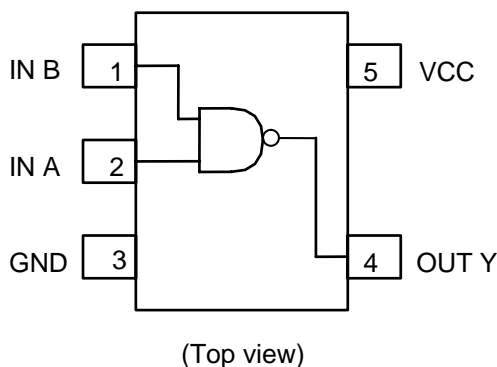
### ■ Applications

- Personal computers, peripherals
- Cellular phones
- Cameras
- Games

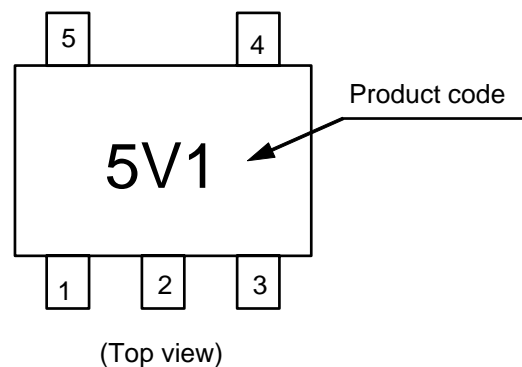
### ■ Package

- SC-88A

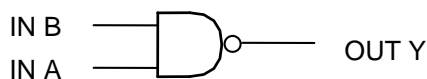
### ■ Pin Configuration



### ■ Marking Specification



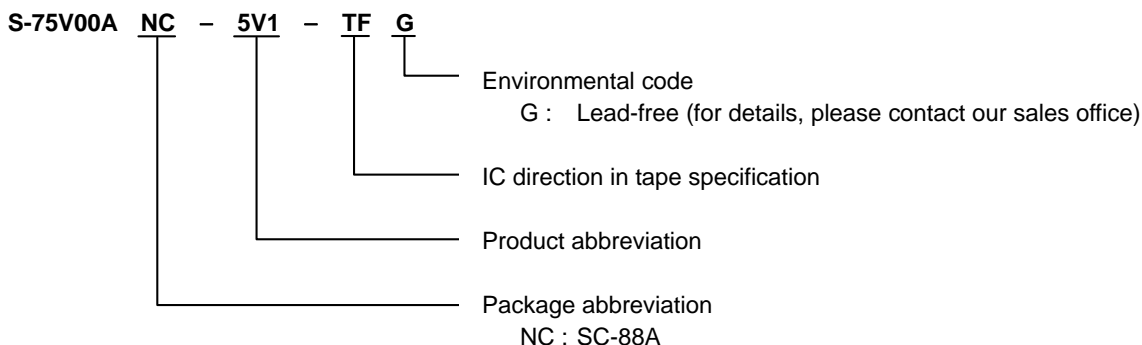
### ■ Logic Diagram



True values

A	B	Y
L	L	H
L	H	H
H	L	H
H	H	L

■ Product Name Structure



■ Absolute Maximum Ratings

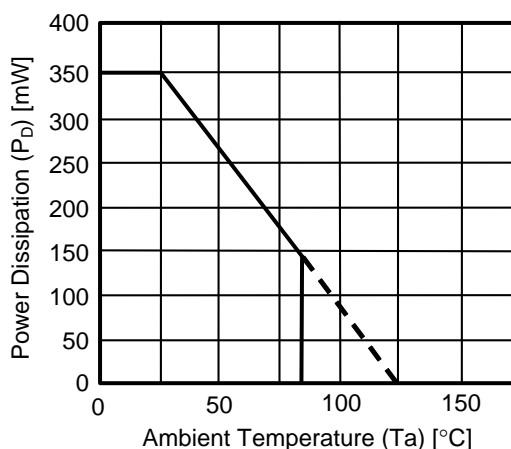
(Ta = 25°C unless otherwise specified)

Item	Symbol	Absolute Maximum Ratings	Unit
Power supply voltage	$V_{CC}$	-0.5 to +7.0	V
Input voltage	$V_{IN}$	-0.5 to +7.0	V
Output voltage	$V_{OUT}$	-0.5 to $V_{CC} + 0.5$	V
Input parasitic diode current	$I_{IK}$	-20	mA
Output parasitic diode current	$I_{OK}$	±20	mA
Output current	$I_{OUT}$	±25	mA
$V_{CC}/GND$ current	$I_{CC}$	±50	mA
Power dissipation	$P_D$	200 (When not mounted on board)	mW
		350*1	mW
Operating ambient temperature	$T_{opr}$	-40 to +85	°C
Storage temperature	$T_{stg}$	-65 to +150	°C
Lead temperature (10 s)	$T_L$	260	°C

\*1. When mounted on board  
[Mounted board]

- (1) Board size : 114.3 mm × 76.2 mm × t1.6 mm
- (2) Board name : JEDEC STANDARD51-7

**Caution** The absolute maximum ratings are rated values exceeding which the product could suffer physical damage. These values must therefore not be exceeded under any conditions.



Power Dissipation of Package (When Mounted on Board)

### ■ Recommended Operating Conditions

Item	Symbol	Standard	Unit
Power voltage	$V_{CC}$	2 to 5.5	V
Input voltage	$V_{IN}$	0 to 5.5	V
Output voltage	$V_{OUT}$	0 to $V_{CC}$	V
Input rise / fall time	$t_R, t_F$	0 to 100 ( $V_{CC} = 3.3 \pm 0.3$ V)	ns
		0 to 20 ( $V_{CC} = 5 \pm 0.5$ V)	ns

### ■ DC Electrical Characteristics

Item	Symbol	Conditions	$T_a = 25^\circ\text{C}$			$T_a = -40$ to $85^\circ\text{C}$		Unit			
			$V_{CC}$	Min.	Typ.	Max.	Min.		Max.		
Input voltage	"H" level	$V_{IH}$	—	2.0	1.5	—	—	1.5	—	V	
				3 to 5.5	$V_{CC} \times 0.7$	—	—	$V_{CC} \times 0.7$	—	V	
	"L" level	$V_{IL}$	—	2.0	—	—	0.5	—	0.5	V	
				3 to 5.5	—	—	$V_{CC} \times 0.3$	—	$V_{CC} \times 0.3$	V	
Output voltage	"H" level	$V_{OH}$	$V_{IN} = V_{IL}$ or $V_{IH}$	$I_{OH} = -50 \mu\text{A}$	2.0	1.9	2.0	—	1.9	—	V
					3.0	2.9	3.0	—	2.9	—	V
					4.5	4.4	4.5	—	4.4	—	V
				$I_{OH} = -4 \text{ mA}$	3.0	2.58	—	—	2.48	—	V
					4.5	3.94	—	—	3.80	—	V
						$I_{OH} = -8 \text{ mA}$	4.5	3.94	—	—	3.80
	"L" level	$V_{OL}$	$V_{IN} = V_{IH}$	$I_{OL} = 50 \mu\text{A}$	2.0	—	0	0.1	—	0.1	V
					3.0	—	0	0.1	—	0.1	V
					4.5	—	0	0.1	—	0.1	V
					$I_{OL} = 4 \text{ mA}$	3.0	—	—	0.36	—	0.44
$I_{OL} = 8 \text{ mA}$	4.5	—	—	0.36	—	0.44	V				
Input current	$I_{IN}$	$V_{IN} = 5.5 \text{ V}$ or GND	0 to 5.5	—	—	$\pm 0.1$	—	$\pm 1.0$	$\mu\text{A}$		
Current consumption	$I_{CC}$	$V_{IN} = V_{CC}$ or GND	5.5	—	—	1.0	—	10.0	$\mu\text{A}$		

**■ AC Electrical Characteristics**

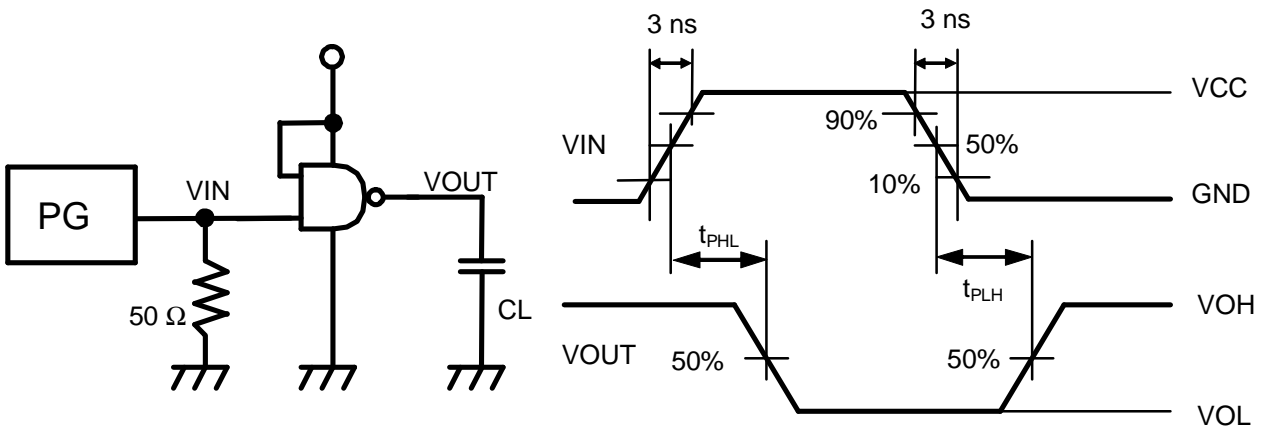
(Input  $t_R = t_F = 3$  ns unless otherwise specified)

Item	Symbol	Measurement Conditions		Ta = 25°C			Ta = -40 to 85°C		Unit	
		V <sub>CC</sub> (V)	C <sub>L</sub> (pF)	Min.	Typ.	Max.	Min.	Max.		
Propagation delay time	$t_{PLH}$ , $t_{PHL}$	—	3.3±0.3	15	—	5.5	7.9	1.0	9.5	ns
				50	—	10.0	14.0	1.0	15.0	ns
			5.0±0.5	15	—	3.7	5.5	1.0	6.5	ns
				50	—	6.1	8.5	1.0	9.0	ns
Input capacitance	C <sub>IN</sub>	—	—	—	4	10	—	10	pF	
Equivalent internal capacitance	C <sub>PD</sub> <sup>*1</sup>	—	—	—	14	—	—	—	pF	

\*1. C<sub>PD</sub> is the no-load equivalent capacitance inside the circuitry. Refer to the measurement circuit shown below. Current consumption is averaged by the following equation.

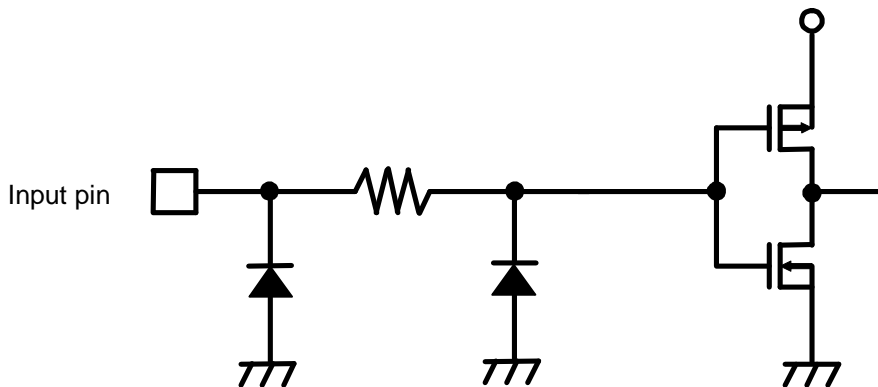
$$I_{CC(opr)} = C_{PD} \times V_{CC} \times fin + I_{CC}$$

**Measurement Circuit**



**Remark** No-load output during measurement of current consumption.

**■ Input Pin Equivalent Circuit**



The S-75V02ANC is a single 2-input NOR gate fabricated by utilizing advanced silicon-gate CMOS technology which provides the inherent benefit of CMOS low power consumption to achieve ultra high speed operation correspond to LSTTL IC's.

All gates of the internal circuitry have buffered outputs to ensure high noise immunity and output stability.

Input voltage is allowed to be applied even if power voltage is not supplied because no diode is inserted between an input pin and  $V_{CC}$ .

This allows for interfaces between power supplies of different voltage, output level conversion from 5 V to 3 V and battery backup applications.

### ■ Features

- Wide power supply range: 2 V to 5.5 V
- Low current consumption: 1.0  $\mu$ A max. (at 5.5 V, 25°C)
- Typical propagation delay:  $t_{PD} = 3.6$  ns (at 5 V)
- High noise immunity:  $V_{NIH} = V_{NIL} = 28\% V_{CC}$  min.
- Power down protection: All pins
- Lead-free

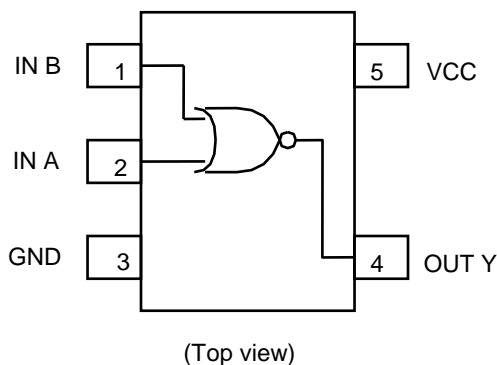
### ■ Applications

- Personal computers, peripherals
- Cellular phones
- Cameras
- Games

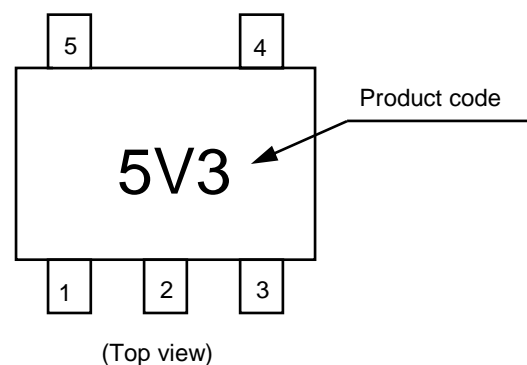
### ■ Package

- SC-88A

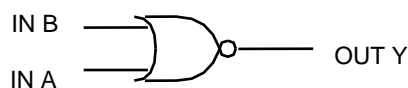
### ■ Pin Configuration



### ■ Marking Specification



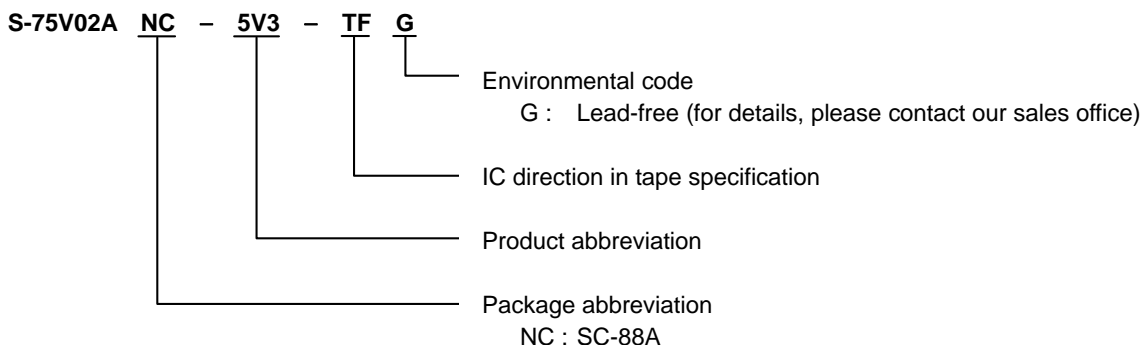
### ■ Logic Diagram



True values

A	B	Y
L	L	H
L	H	L
H	L	L
H	H	L

■ Product Name Structure



■ Absolute Maximum Ratings

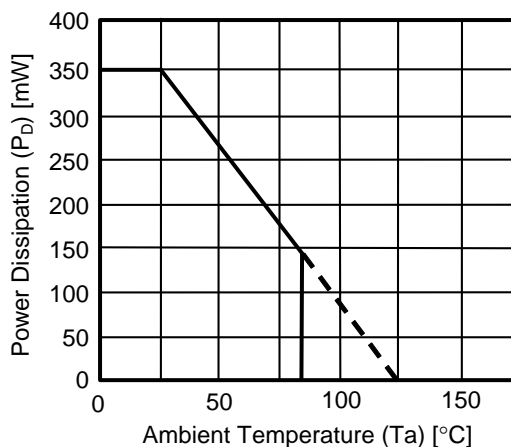
(Ta = 25°C unless otherwise specified)

Item	Symbol	Absolute Maximum Ratings	Unit
Power supply voltage	$V_{CC}$	-0.5 to +7.0	V
Input voltage	$V_{IN}$	-0.5 to +7.0	V
Output voltage	$V_{OUT}$	-0.5 to $V_{CC} + 0.5$	V
Input parasitic diode current	$I_{IK}$	-20	mA
Output parasitic diode current	$I_{OK}$	±20	mA
Output current	$I_{OUT}$	±25	mA
$V_{CC}/GND$ current	$I_{CC}$	±50	mA
Power dissipation	$P_D$	200 (When not mounted on board)	mW
		350*1	mW
Operating ambient temperature	$T_{opr}$	-40 to +85	°C
Storage temperature	$T_{stg}$	-65 to +150	°C
Lead temperature (10 s)	$T_L$	260	°C

\*1. When mounted on board  
[Mounted board]

- (1) Board size : 114.3 mm × 76.2 mm × t1.6 mm
- (2) Board name : JEDEC STANDARD51-7

**Caution** The absolute maximum ratings are rated values exceeding which the product could suffer physical damage. These values must therefore not be exceeded under any conditions.



Power Dissipation of Package (When Mounted on Board)

### ■ Recommended Operating Conditions

Item	Symbol	Standard	Unit
Power voltage	$V_{CC}$	2 to 5.5	V
Input voltage	$V_{IN}$	0 to 5.5	V
Output voltage	$V_{OUT}$	0 to $V_{CC}$	V
Input rise / fall time	$t_R, t_F$	0 to 100 ( $V_{CC} = 3.3 \pm 0.3$ V)	ns
		0 to 20 ( $V_{CC} = 5 \pm 0.5$ V)	ns

### ■ DC Electrical Characteristics

Item	Symbol	Conditions	$T_a = 25^\circ\text{C}$			$T_a = -40$ to $85^\circ\text{C}$		Unit			
			$V_{CC}$	Min.	Typ.	Max.	Min.		Max.		
Input voltage	"H" level	$V_{IH}$	—	2.0	1.5	—	—	1.5	—	V	
				3 to 5.5	$V_{CC} \times 0.7$	—	—	$V_{CC} \times 0.7$	—	V	
	"L" level	$V_{IL}$	—	2.0	—	—	0.5	—	0.5	V	
				3 to 5.5	—	—	$V_{CC} \times 0.3$	—	$V_{CC} \times 0.3$	V	
Output voltage	"H" level	$V_{OH}$	$V_{IN} = V_{IL}$	$I_{OH} = -50 \mu\text{A}$	2.0	1.9	2.0	—	1.9	—	V
					3.0	2.9	3.0	—	2.9	—	V
					4.5	4.4	4.5	—	4.4	—	V
				$I_{OH} = -4 \text{ mA}$	3.0	2.58	—	—	2.48	—	V
					4.5	3.94	—	—	3.80	—	V
						—	—	—	—	—	—
	"L" level	$V_{OL}$	$V_{IN} = V_{IH}$ or $V_{IL}$	$I_{OL} = 50 \mu\text{A}$	2.0	—	0	0.1	—	0.1	V
					3.0	—	0	0.1	—	0.1	V
				4.5	—	0	0.1	—	0.1	V	
					3.0	—	—	0.36	—	0.44	V
4.5	—	—	0.36	—		0.44	V				
	Input current	$I_{IN}$	$V_{IN} = 5.5 \text{ V}$ or GND	0 to 5.5	—	—	$\pm 0.1$	—	$\pm 1.0$	$\mu\text{A}$	
Current consumption	$I_{CC}$	$V_{IN} = V_{CC}$ or GND	5.5	—	—	1.0	—	10.0	$\mu\text{A}$		

■ AC Electrical Characteristics

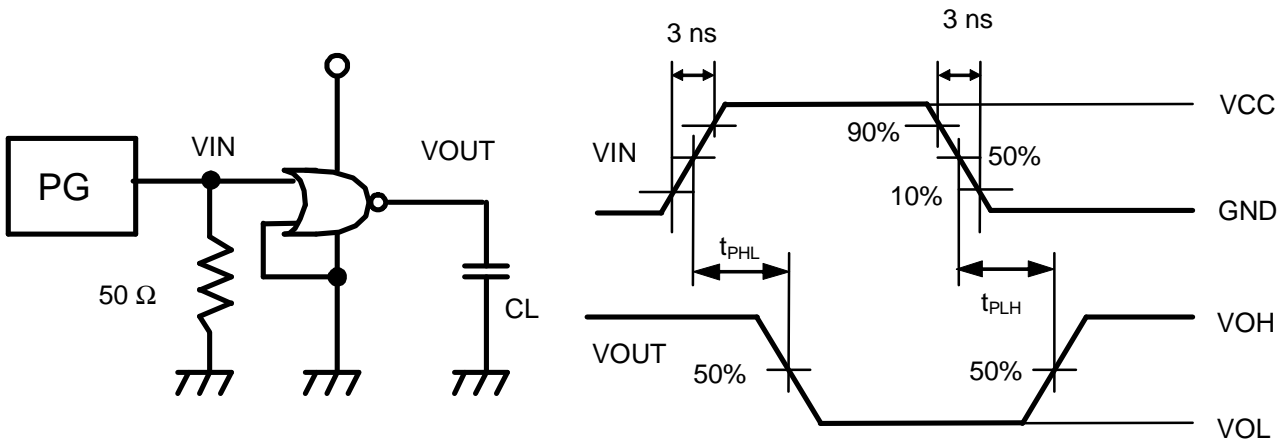
(Input  $t_R = t_F = 3$  ns unless otherwise specified)

Item	Symbol	Measurement Conditions		Ta = 25°C			Ta = -40 to 85°C		Unit
		V <sub>CC</sub> (V)	C <sub>L</sub> (pF)	Min.	Typ.	Max.	Min.	Max.	
Propagation delay time	$t_{PLH}, t_{PHL}$	3.3±0.3	15	—	5.6	7.9	1.0	9.5	ns
			50	—	10.0	14.0	1.0	15.0	ns
		5.0±0.5	15	—	3.6	5.5	1.0	6.5	ns
			50	—	5.7	8.0	1.0	9.0	ns
Input capacitance	C <sub>IN</sub>	—	—	—	4	10	—	10	pF
Equivalent internal capacitance	C <sub>PD</sub> <sup>*1</sup>	—	—	—	15	—	—	—	pF

\*1. C<sub>PD</sub> is the no-load equivalent capacitance inside the circuitry. Refer to the measurement circuit shown below. Current consumption is averaged by the following equation.

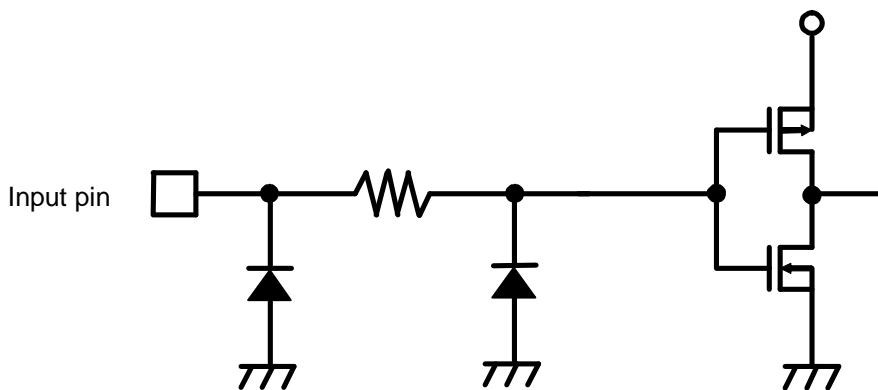
$$I_{CC(opr)} = C_{PD} \times V_{CC} \times fin + I_{CC}$$

Measurement Circuit



Remark No-load output during measurement of current consumption.

■ Input Pin Equivalent Circuit





The S-75V04ANC is a INVERTER fabricated by utilizing advanced silicon-gate CMOS technology which provides the inherent benefit of CMOS low power consumption to achieve ultra high speed operation correspond to LSTTL IC's.

The special purpose unbuffered circuit design is suitable for a wide variety of linear circuits.

Input voltage is allowed to be applied even if power voltage is not supplied because no diode is inserted between an input pin and  $V_{CC}$ .

This allows for interfaces between power supplies of different voltage, output level conversion from 5 V to 3 V and battery backup applications.

### ■ Features

- Wide power supply range: 2 V to 5.5 V
- Low current consumption: 1.0  $\mu$ A max. (at 5.5 V, 25°C)
- Typical propagation delay:  $t_{PD} = 3.8$  ns (at 5 V)
- High noise immunity:  $V_{NIH} = V_{NIL} = 28\%$   $V_{CC}$  min.
- Power down protection: All pins
- Lead-free

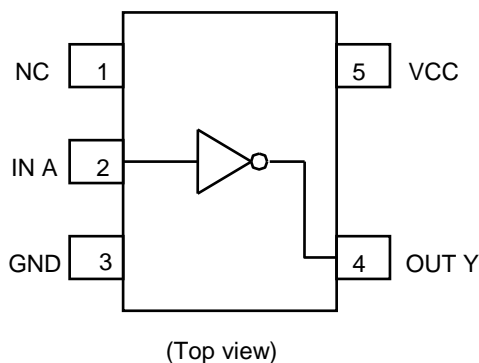
### ■ Applications

- Personal computers, peripherals
- Cellular phones
- Cameras
- Games

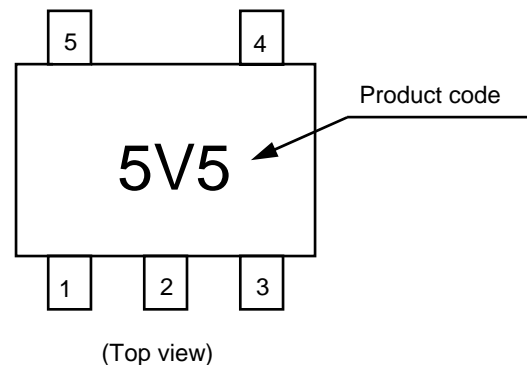
### ■ Package

- SC-88A

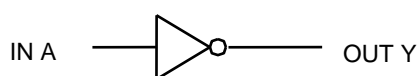
### ■ Pin Configuration



### ■ Marking Specification



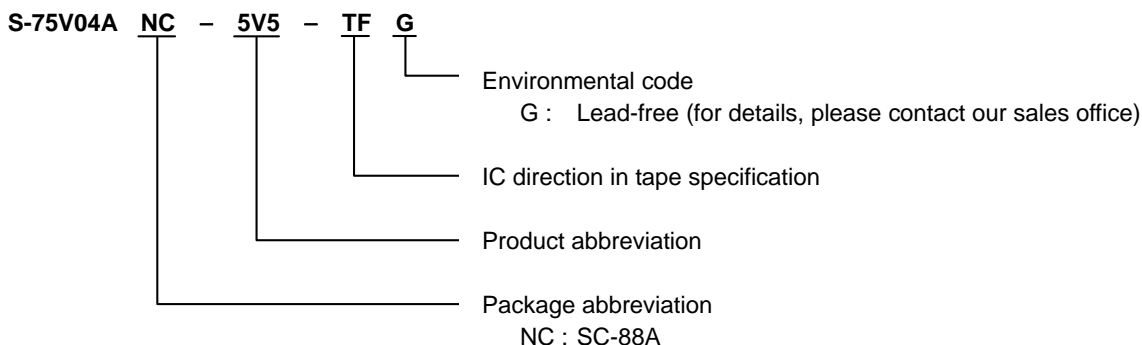
### ■ Logic Diagram



True values

A	Y
L	H
H	L

■ Product Name Structure



■ Absolute Maximum Ratings

(Ta = 25°C unless otherwise specified)

Item	Symbol	Absolute Maximum Ratings	Unit
Power supply voltage	$V_{CC}$	-0.5 to +7.0	V
Input voltage	$V_{IN}$	-0.5 to +7.0	V
Output voltage	$V_{OUT}$	-0.5 to $V_{CC} + 0.5$	V
Input parasitic diode current	$I_{IK}$	-20	mA
Output parasitic diode current	$I_{OK}$	±20	mA
Output current	$I_{OUT}$	±25	mA
$V_{CC}/GND$ current	$I_{CC}$	±50	mA
Power dissipation	$P_D$	200 (When not mounted on board)	mW
		350 <sup>*1</sup>	mW
Operating ambient temperature	$T_{opr}$	-40 to +85	°C
Storage temperature	$T_{stg}$	-65 to +150	°C
Lead temperature (10 s)	$T_L$	260	°C

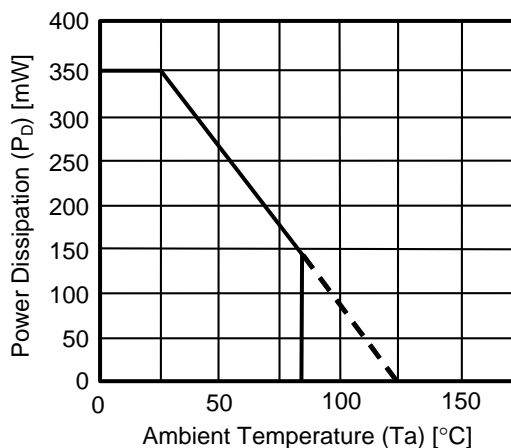
\*1. When mounted on board

[Mounted board]

(1) Board size : 114.3 mm × 76.2 mm × t1.6 mm

(2) Board name : JEDEC STANDARD51-7

**Caution** The absolute maximum ratings are rated values exceeding which the product could suffer physical damage. These values must therefore not be exceeded under any conditions.



Power Dissipation of Package (When Mounted on Board)

**■ Recommended Operating Conditions**

Item	Symbol	Standard	Unit
Power voltage	$V_{CC}$	2 to 5.5	V
Input voltage	$V_{IN}$	0 to 5.5	V
Output voltage	$V_{OUT}$	0 to $V_{CC}$	V
Input rise / fall time	$t_R, t_F$	0 to 100 ( $V_{CC} = 3.3 \pm 0.3$ V)	ns
		0 to 20 ( $V_{CC} = 5 \pm 0.5$ V)	ns

**■ DC Electrical Characteristics**

Item	Symbol	Conditions	$T_a = 25^\circ\text{C}$			$T_a = -40$ to $85^\circ\text{C}$		Unit				
			$V_{CC}$	Min.	Typ.	Max.	Min.		Max.			
Input voltage	"H" level	$V_{IH}$	—	2.0	1.5	—	—	1.5	—	V		
				3 to 5.5	$V_{CC} \times 0.7$	—	—	$V_{CC} \times 0.7$	—	V		
	"L" level	$V_{IL}$	—	2.0	—	—	0.5	—	0.5	V		
				3 to 5.5	—	—	$V_{CC} \times 0.3$	—	$V_{CC} \times 0.3$	V		
Output voltage	"H" level	$V_{OH}$	$V_{IN} = V_{IL}$	$I_{OH} = -50 \mu\text{A}$	2.0	1.9	2.0	—	1.9	—	V	
					3.0	2.9	3.0	—	2.9	—	V	
					4.5	4.4	4.5	—	4.4	—	V	
				$I_{OH} = -4 \text{ mA}$	3.0	2.58	—	—	2.48	—	V	
					$I_{OH} = -8 \text{ mA}$	4.5	3.94	—	—	3.80	—	V
						—	—	—	—	—	—	V
	"L" level	$V_{OL}$	$V_{IN} = V_{IH}$	$I_{OL} = 50 \mu\text{A}$	2.0	—	0	0.1	—	0.1	V	
					3.0	—	0	0.1	—	0.1	V	
					4.5	—	0	0.1	—	0.1	V	
					$I_{OL} = 4 \text{ mA}$	3.0	—	—	0.36	—	0.44	V
4.5	—	—	0.36	—		0.44	V					
Input current	$I_{IN}$	$V_{IN} = 5.5 \text{ V}$ or GND	0 to 5.5	—	—	$\pm 0.1$	—	$\pm 1.0$	$\mu\text{A}$			
Current consumption	$I_{CC}$	$V_{IN} = V_{CC}$ or GND	5.5	—	—	1.0	—	10.0	$\mu\text{A}$			

**■ AC Electrical Characteristics**

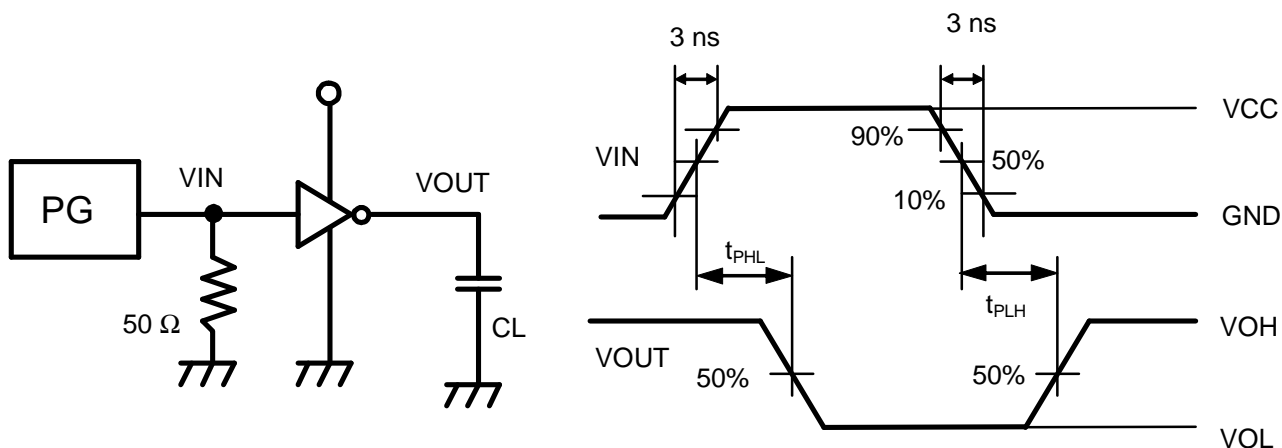
(Input  $t_R = t_F = 3$  ns unless otherwise specified)

Item	Symbol	Measurement Conditions		Ta = 25°C			Ta = -40 to 85°C		Unit	
		V <sub>CC</sub> (V)	C <sub>L</sub> (pF)	Min.	Typ.	Max.	Min.	Max.		
Propagation delay time	$t_{PLH}$ , $t_{PHL}$	—	3.3±0.3	15	—	5.0	7.1	1.0	8.5	ns
				50	—	9.6	13.5	1.0	14.5	ns
			5.0±0.5	15	—	3.8	5.5	1.0	6.5	ns
				50	—	5.7	8.0	1.0	9.0	ns
Input capacitance	C <sub>IN</sub>	—	—	—	4	10	—	10	pF	
Equivalent internal capacitance	C <sub>PD</sub> <sup>*1</sup>	—	—	—	13	—	—	—	pF	

\*1. C<sub>PD</sub> is the no-load equivalent capacitance inside the circuitry. Refer to the measurement circuit shown below. Current consumption is averaged by the following equation.

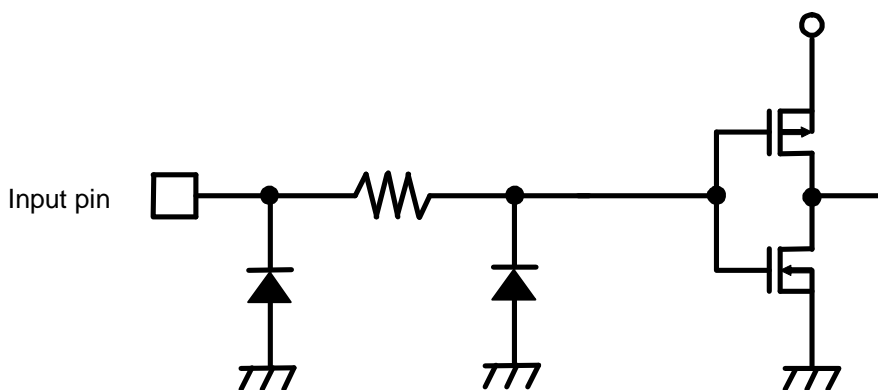
$$I_{CC(opr)} = C_{PD} \times V_{CC} \times fin + I_{CC}$$

**Measurement Circuit**



**Remark** No-load output during measurement of current consumption.

**■ Input Pin Equivalent Circuit**



The S-75VU04ANC is an inverter fabricated by utilizing advanced silicon-gate CMOS technology which provides the inherent benefit of CMOS low power consumption to achieve ultra high speed operation correspond to LSTTL IC's.

The special purpose unbuffered circuit design is suitable for a wide variety of linear circuits.

Input voltage is allowed to be applied even if power voltage is not supplied because no diode is inserted between an input pin and  $V_{CC}$ .

This allows for interfaces between power supplies of different voltage, output level conversion from 5 V to 3 V and battery backup applications.

### ■ Features

- Wide power supply range: 2 V to 5.5 V
- Low current consumption: 1.0  $\mu$ A max. (at 5.5 V, 25°C)
- Typical propagation delay:  $t_{PD} = 3.5$  ns (at 5 V)
- High noise immunity:  $V_{NIH} = V_{NIL} = 10\%$   $V_{CC}$  min.
- Power down protection: All pins
- Lead-free

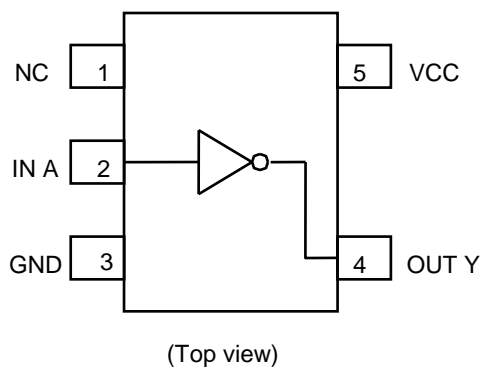
### ■ Applications

- Personal computers, peripherals
- Cellular phones
- Cameras
- Games

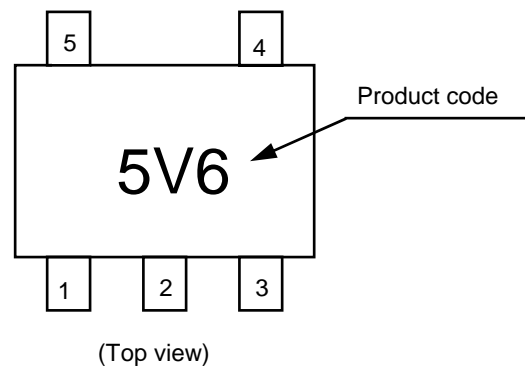
### ■ Package

- SC-88A

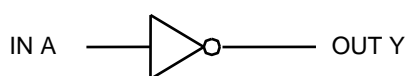
### ■ Pin Configuration



### ■ Marking Specification



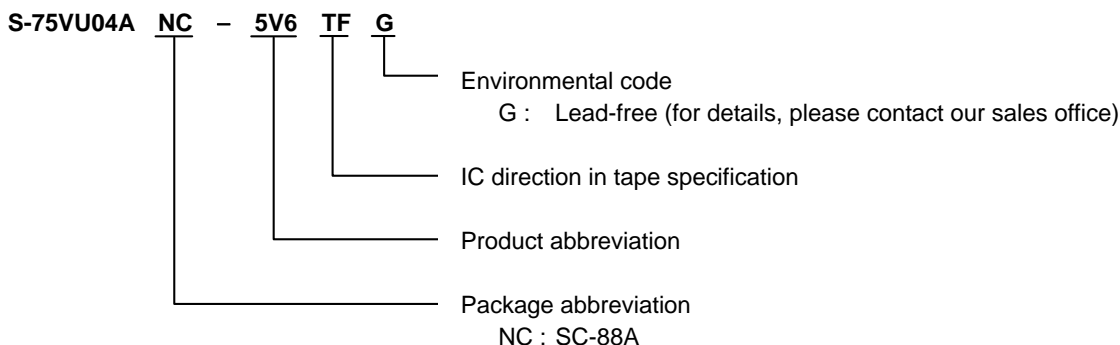
### ■ Logic Diagram



True values

A	Y
L	H
H	L

■ Product Name Structure



■ Absolute Maximum Ratings

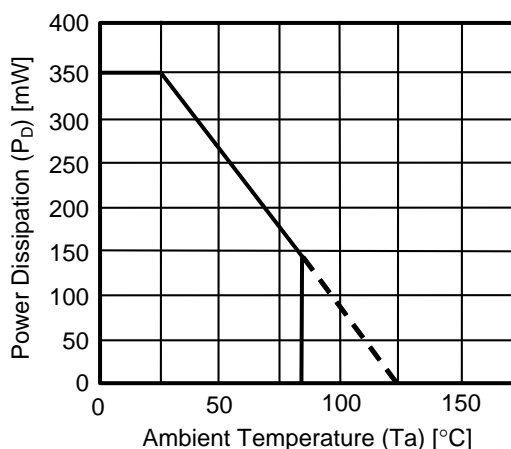
(Ta = 25°C unless otherwise specified)

Item	Symbol	Absolute Maximum Ratings	Unit
Power supply voltage	$V_{CC}$	-0.5 to +7.0	V
Input voltage	$V_{IN}$	-0.5 to +7.0	V
Output voltage	$V_{OUT}$	-0.5 to $V_{CC} + 0.5$	V
Input parasitic diode current	$I_{IK}$	-20	mA
Output parasitic diode current	$I_{OK}$	±20	mA
Output current	$I_{OUT}$	±25	mA
$V_{CC}/GND$ current	$I_{CC}$	±50	mA
Power dissipation	$P_D$	200 (When not mounted on board)	mW
		350*1	mW
Operating ambient temperature	$T_{opr}$	-40 to +85	°C
Storage temperature	$T_{stg}$	-65 to +150	°C
Lead temperature (10 s)	$T_L$	260	°C

\*1. When mounted on board  
[Mounted board]

- (1) Board size : 114.3 mm × 76.2 mm × t1.6 mm
- (2) Board name : JEDEC STANDARD51-7

**Caution** The absolute maximum ratings are rated values exceeding which the product could suffer physical damage. These values must therefore not be exceeded under any conditions.



Power Dissipation of Package (When Mounted on Board)

**■ Recommended Operating Conditions**

Item	Symbol	Standard	Unit
Power voltage	$V_{CC}$	2 to 5.5	V
Input voltage	$V_{IN}$	0 to 5.5	V
Output voltage	$V_{OUT}$	0 to $V_{CC}$	V

**■ DC Electrical Characteristics**

Item	Symbol	Conditions	Ta = 25°C			Ta = -40 to 85°C		Unit			
			$V_{CC}$	Min.	Typ.	Max.	Min.		Max.		
Input voltage	"H" level	$V_{IH}$	$V_{OUT} = V_{OL}$	2.0	1.7	—	—	1.7	—	V	
				3 to 5.5	$V_{CC} \times 0.8$	—	—	$V_{CC} \times 0.8$	—	V	
	"L" level	$V_{IL}$	$V_{OUT} = V_{OH}$	2.0	—	—	0.3	—	0.3	V	
				3 to 5.5	—	—	$V_{CC} \times 0.2$	—	$V_{CC} \times 0.2$	V	
Output voltage	"H" level	$V_{OH}$	$V_{IN} = V_{IL}$	$I_{OH} = -50 \mu A$	2.0	1.8	2.0	—	1.8	—	V
					3.0	2.7	3.0	—	2.7	—	V
					4.5	4.0	4.5	—	4.0	—	V
		$V_{OH}$	$V_{IN} = GND$	$I_{OH} = -4 \text{ mA}$	3.0	2.58	—	—	2.48	—	V
					4.5	3.94	—	—	3.80	—	V
	"L" level	$V_{OL}$	$V_{IN} = V_{IH}$	$I_{OL} = 50 \mu A$	2.0	—	0	0.2	—	0.2	V
					3.0	—	0	0.3	—	0.3	V
			4.5	—	0	0.5	—	0.5	V		
										$V_{IN} = V_{CC}$	$I_{OL} = 4 \text{ mA}$
4.5	—	—	0.36	—	0.44	V					
Input current	$I_{IN}$	$V_{IN} = 5.5 \text{ V or GND}$	0 to 5.5	—	—	$\pm 0.1$	—	$\pm 1.0$	$\mu A$		
Current consumption	$I_{CC}$	$V_{IN} = V_{CC} \text{ or GND}$	5.5	—	—	1.0	—	10.0	$\mu A$		

**■ AC Electrical Characteristics**

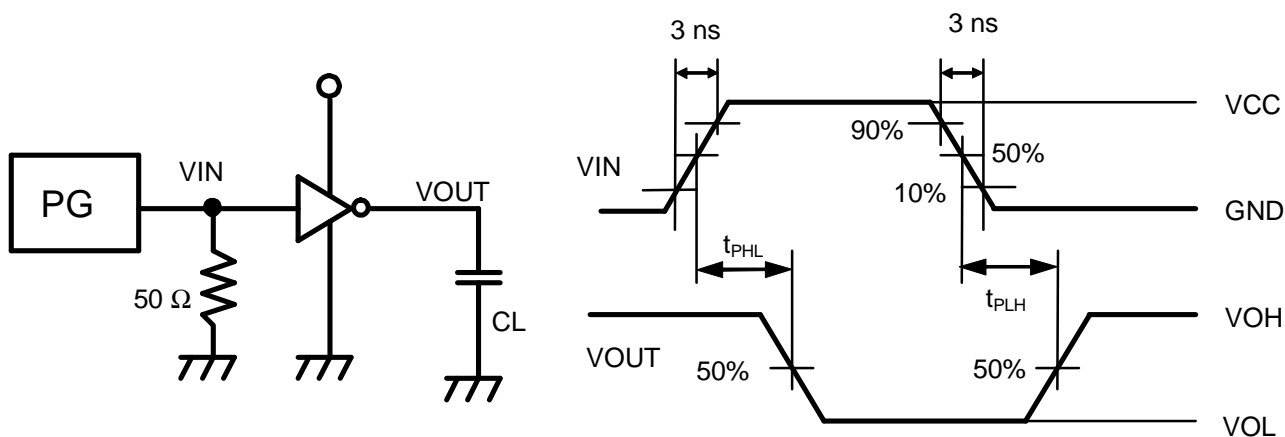
(Input  $t_R = t_F = 3$  ns unless otherwise specified)

Item	Symbol	Measurement Conditions		Ta = 25°C			Ta = -40 to 85°C		Unit	
		V <sub>CC</sub> (V)	C <sub>L</sub> (pF)	Min.	Typ.	Max.	Min.	Max.		
Propagation delay time	t <sub>PLH</sub> , t <sub>PHL</sub>	—	3.3±0.3	15	—	5.0	8.9	1.0	10.5	ns
				50	—	8.9	12.5	1.0	13.5	ns
			5.0±0.5	15	—	3.5	5.5	1.0	6.5	ns
				50	—	5.4	7.5	1.0	8.0	ns
Input capacitance	C <sub>IN</sub>	—	—	—	5	10	—	10	pF	
Equivalent internal capacitance	C <sub>PD</sub> <sup>*1</sup>	—	—	—	6	—	—	—	pF	

\*1. C<sub>PD</sub> is the no-load equivalent capacitance inside the circuitry. Refer to the measurement circuit shown below. Current consumption is averaged by the following equation.

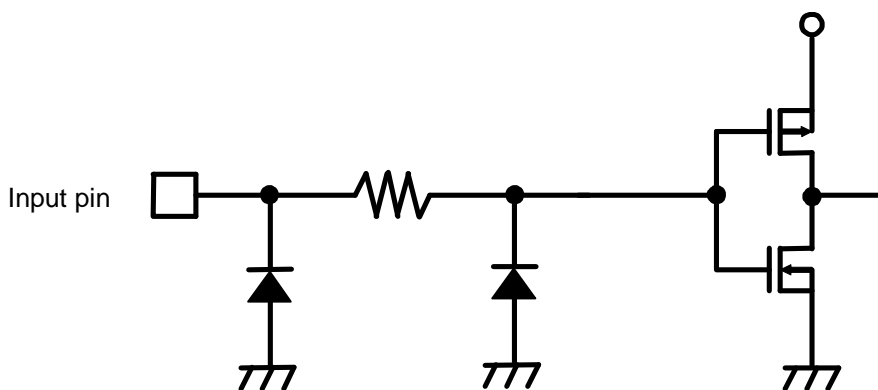
$$I_{CC(opr)} = C_{PD} \times V_{CC} \times f_{in} + I_{CC}$$

**Measurement Circuit**



**Remark** No-load output during measurement of current consumption.

**■ Input Pin Equivalent Circuit**





The S-75V08ANC is a Single 2-Input AND Gate fabricated by utilizing advanced silicon-gate CMOS technology which provides the inherent benefit of CMOS low power consumption to achieve ultra high speed operation correspond to LSTTL IC's.

All gates of the internal circuitry have buffered outputs to ensure high noise immunity and output stability.

Input voltage is allowed to be applied even if power voltage is not supplied because no diode is inserted between an input pin and  $V_{CC}$ .

This allows for interfaces between power supplies of different voltage, output level conversion from 5 V to 3 V and battery backup applications.

### ■ Features

- Wide power supply range: 2 V to 5.5 V
- Low current consumption: 1.0  $\mu$ A max. (at 5.5 V, 25°C)
- Typical propagation delay:  $t_{PD} = 4.3$  ns (at 5 V)
- High noise immunity:  $V_{NIH} = V_{NIL} = 28\% V_{CC}$  min.
- Power down protection: All pins
- Lead-free

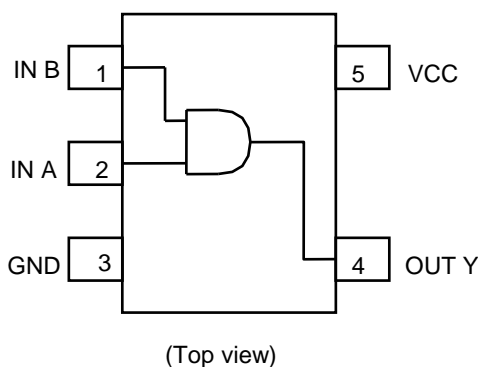
### ■ Applications

- Personal computers, peripherals
- Cellular phones
- Cameras
- Games

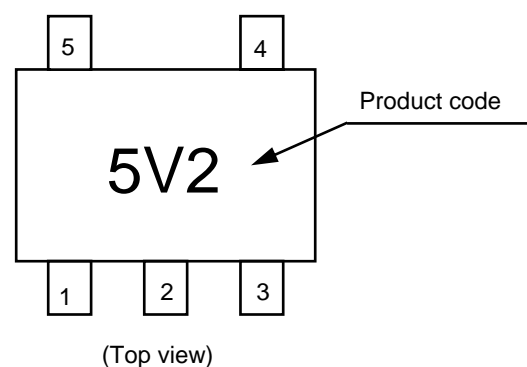
### ■ Package

- SC-88A

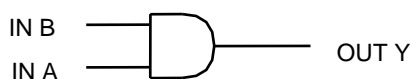
### ■ Pin Configuration



### ■ Marking Specification



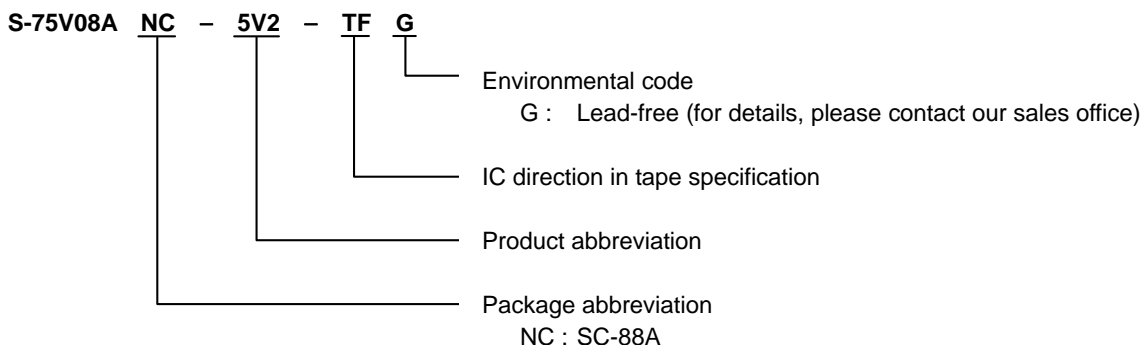
### ■ Logic Diagram



True values

A	B	Y
L	L	L
L	H	L
H	L	L
H	H	H

■ Product Name Structure



■ Absolute Maximum Ratings

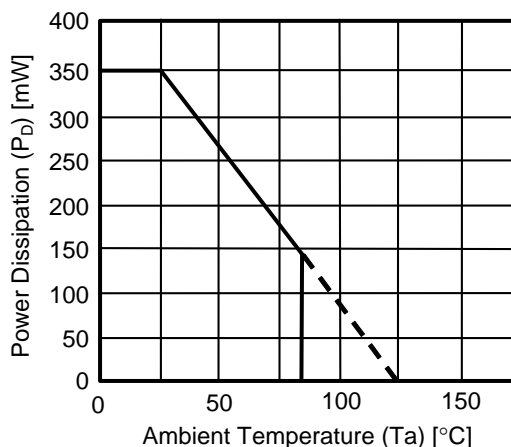
(Ta = 25°C unless otherwise specified)

Item	Symbol	Absolute Maximum Ratings	Unit
Power supply voltage	$V_{CC}$	-0.5 to +7.0	V
Input voltage	$V_{IN}$	-0.5 to +7.0	V
Output voltage	$V_{OUT}$	-0.5 to $V_{CC} + 0.5$	V
Input parasitic diode current	$I_{IK}$	-20	mA
Output parasitic diode current	$I_{OK}$	±20	mA
Output current	$I_{OUT}$	±25	mA
$V_{CC}/GND$ current	$I_{CC}$	±50	mA
Power dissipation	$P_D$	200 (When not mounted on board)	mW
		350*1	mW
Operating ambient temperature	$T_{opr}$	-40 to +85	°C
Storage temperature	$T_{stg}$	-65 to +150	°C
Lead temperature (10 s)	$T_L$	260	°C

\*1. When mounted on board  
[Mounted board]

- (1) Board size : 114.3 mm × 76.2 mm × t1.6 mm
- (2) Board name : JEDEC STANDARD51-7

**Caution** The absolute maximum ratings are rated values exceeding which the product could suffer physical damage. These values must therefore not be exceeded under any conditions.



Power Dissipation of Package (When Mounted on Board)

### ■ Recommended Operating Conditions

Item	Symbol	Standard	Unit
Power voltage	$V_{CC}$	2 to 5.5	V
Input voltage	$V_{IN}$	0 to 5.5	V
Output voltage	$V_{OUT}$	0 to $V_{CC}$	V
Input rise / fall time	$t_R, t_F$	0 to 100 ( $V_{CC} = 3.3 \pm 0.3$ V)	ns
		0 to 20 ( $V_{CC} = 5 \pm 0.5$ V)	ns

### ■ DC Electrical Characteristics

Item	Symbol	Conditions	$T_a = 25^\circ\text{C}$			$T_a = -40$ to $85^\circ\text{C}$		Unit				
			$V_{CC}$	Min.	Typ.	Max.	Min.		Max.			
Input voltage	"H" level	$V_{IH}$	—	2.0	1.5	—	—	1.5	—	V		
				3 to 5.5	$V_{CC} \times 0.7$	—	—	$V_{CC} \times 0.7$	—	V		
	"L" level	$V_{IL}$	—	2.0	—	—	0.5	—	0.5	V		
				3 to 5.5	—	—	$V_{CC} \times 0.3$	—	$V_{CC} \times 0.3$	V		
Output voltage	"H" level	$V_{OH}$	$V_{IN} = V_{IH}$	$I_{OH} = -50 \mu\text{A}$	2.0	1.9	2.0	—	1.9	—	V	
					3.0	2.9	3.0	—	2.9	—	V	
					4.5	4.4	4.5	—	4.4	—	V	
				$I_{OH} = -4 \text{ mA}$	3.0	2.58	—	—	2.48	—	V	
					$I_{OH} = -8 \text{ mA}$	4.5	3.94	—	—	3.80	—	V
						—	—	—	—	—	—	V
	"L" level	$V_{OL}$	$V_{IN} = V_{IH}$ or $V_{IL}$	$I_{OL} = 50 \mu\text{A}$	2.0	—	0	0.1	—	0.1	V	
					3.0	—	0	0.1	—	0.1	V	
					4.5	—	0	0.1	—	0.1	V	
					$I_{OL} = 4 \text{ mA}$	3.0	—	—	0.36	—	0.44	V
4.5	—	—	0.36	—		0.44	V					
Input current	$I_{IN}$	$V_{IN} = 5.5 \text{ V}$ or GND	0 to 5.5	—	—	$\pm 0.1$	—	$\pm 1.0$	$\mu\text{A}$			
Current consumption	$I_{CC}$	$V_{IN} = V_{CC}$ or GND	5.5	—	—	1.0	—	10.0	$\mu\text{A}$			

■ AC Electrical Characteristics

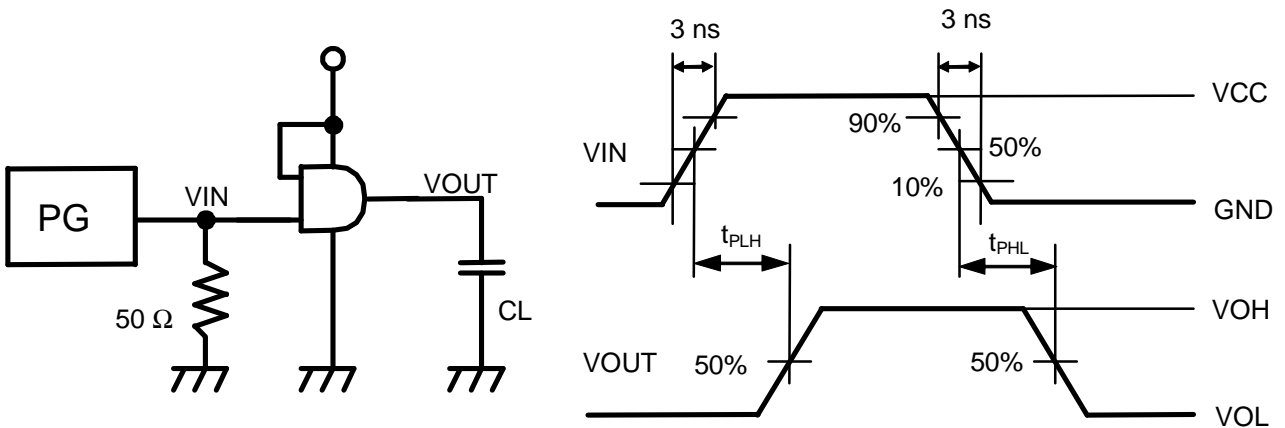
(Input  $t_R = t_F = 3$  ns unless otherwise specified)

Item	Symbol	Measurement Conditions		Ta = 25°C			Ta = -40 to 85°C		Unit	
		V <sub>CC</sub> (V)	C <sub>L</sub> (pF)	Min.	Typ.	Max.	Min.	Max.		
Propagation delay time	$t_{PLH}$ , $t_{PHL}$	—	3.3±0.3	15	—	6.2	8.8	1.0	10.5	ns
				50	—	9.6	13.5	1.0	14.5	ns
			5.0±0.5	15	—	4.3	5.9	1.0	7.0	ns
				50	—	5.7	7.9	1.0	9.0	ns
Input capacitance	C <sub>IN</sub>	—	—	—	4	10	—	10	pF	
Equivalent internal capacitance	C <sub>PD</sub> <sup>*1</sup>	—	—	—	14	—	—	—	pF	

\*1. C<sub>PD</sub> is the no-load equivalent capacitance inside the circuitry. Refer to the measurement circuit shown below. Current consumption is averaged by the following equation.

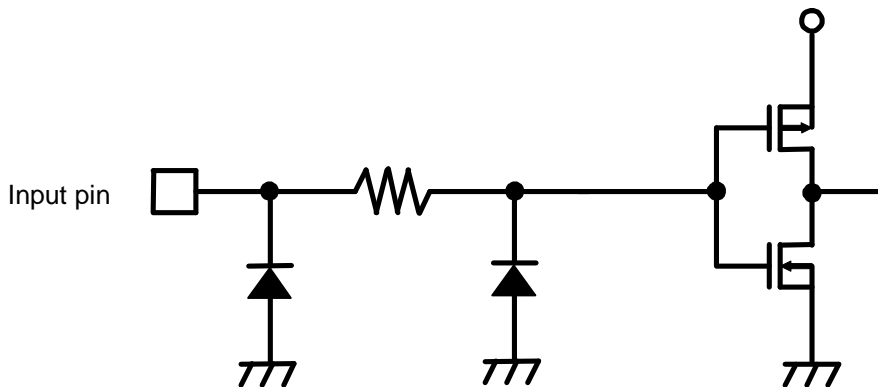
$$I_{CC(opr)} = C_{PD} \times V_{CC} \times fin + I_{CC}$$

Measurement Circuit



Remark No-load output during measurement of current consumption.

■ Input Pin Equivalent Circuit



The S-75V14ANC is a SCHMITT INVERTER fabricated by utilizing advanced silicon-gate CMOS technology which provides the inherent benefit of CMOS low power consumption to achieve ultra high speed operation correspond to LSTTL IC's.

All gates of the internal circuitry have buffered outputs to ensure high noise immunity and output stability.

Input voltage is allowed to be applied even if power voltage is not supplied because no diode is inserted between an input pin and  $V_{CC}$ .

This allows for interfaces between power supplies of different voltage, output level conversion from 5 V to 3 V and battery backup applications.

### ■ Features

- Wide power supply range: 2 V to 5.5 V
- Low current consumption: 1.0  $\mu$ A max. (at 5.5 V, 25°C)
- Typical propagation delay:  $t_{PD} = 5.5$  ns (at 5 V)
- High noise immunity:  $V_{NIH} = V_{NIL} = 28\% V_{CC}$  min.
- Power down protection: All pins
- Lead-free

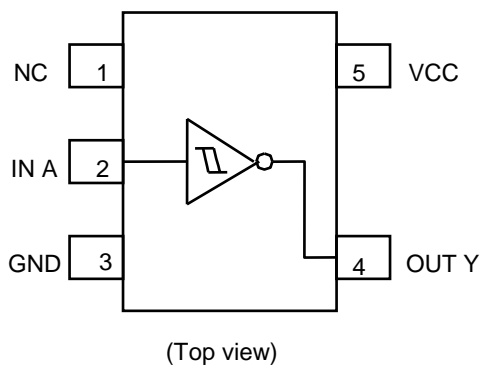
### ■ Applications

- Personal computers, peripherals
- Cellular phones
- Cameras
- Games

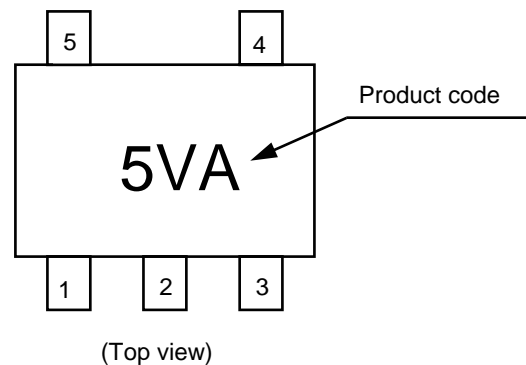
### ■ Package

- SC-88A

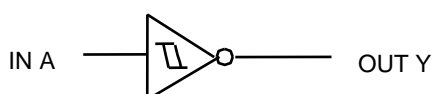
### ■ Pin Configuration



### ■ Marking Specification



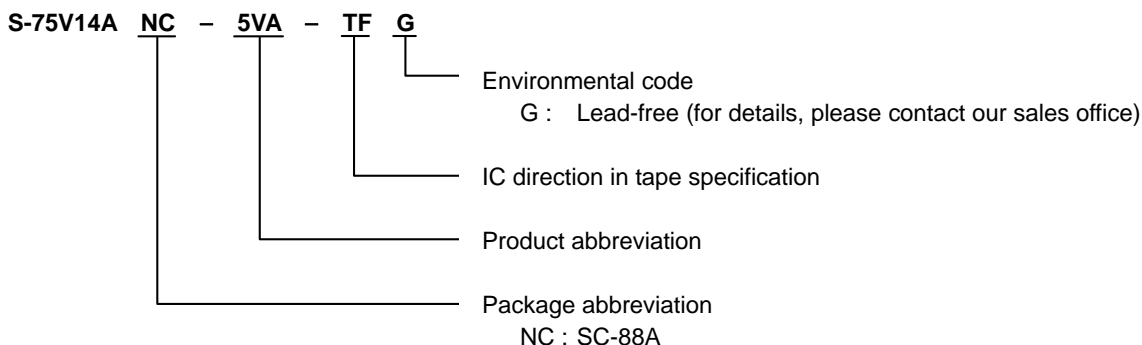
### ■ Logic Diagram



True values

A	Y
L	H
H	L

■ Product Name Structure



■ Absolute Maximum Ratings

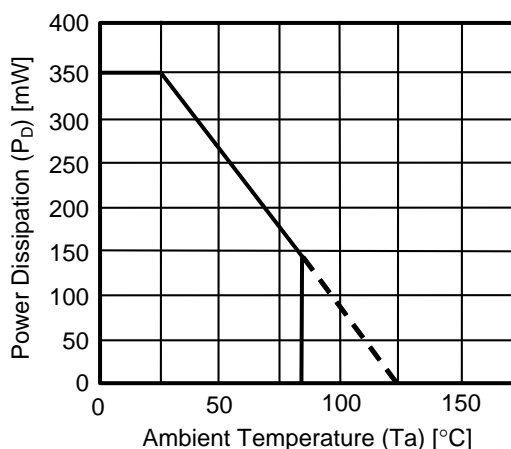
(Ta = 25°C unless otherwise specified)

Item	Symbol	Absolute Maximum Ratings	Unit
Power supply voltage	$V_{CC}$	-0.5 to +7.0	V
Input voltage	$V_{IN}$	-0.5 to +7.0	V
Output voltage	$V_{OUT}$	-0.5 to $V_{CC} + 0.5$	V
Input parasitic diode current	$I_{IK}$	-20	mA
Output parasitic diode current	$I_{OK}$	±20	mA
Output current	$I_{OUT}$	±25	mA
$V_{CC}$ /GND current	$I_{CC}$	±50	mA
Power dissipation	$P_D$	200 (When not mounted on board)	mW
		350*1	mW
Operating ambient temperature	$T_{opr}$	-40 to +85	°C
Storage temperature	$T_{stg}$	-65 to +150	°C
Lead temperature (10 s)	$T_L$	260	°C

\*1. When mounted on board  
[Mounted board]

- (1) Board size : 114.3 mm × 76.2 mm × t1.6 mm
- (2) Board name : JEDEC STANDARD51-7

**Caution** The absolute maximum ratings are rated values exceeding which the product could suffer physical damage. These values must therefore not be exceeded under any conditions.



Power Dissipation of Package (When Mounted on Board)

**■ Recommended Operating Conditions**

Item	Symbol	Standard	Unit
Power voltage	$V_{CC}$	2 to 5.5	V
Input voltage	$V_{IN}$	0 to 5.5	V
Output voltage	$V_{OUT}$	0 to $V_{CC}$	V

**■ DC Electrical Characteristics**

Item	Symbol	Conditions	Ta = 25°C			Ta = -40 to 85°C		Unit			
			$V_{CC}$	Min.	Typ.	Max.	Min.		Max.		
Threshold voltage	"H" level	$V_P$	—	3.0	—	—	2.20	—	2.20	V	
				4.5	—	—	3.15	—	3.15	V	
				5.5	—	—	3.85	—	3.85	V	
	"L" level	$V_N$	—	3.0	0.90	—	—	0.90	—	V	
				4.5	1.35	—	—	1.35	—	V	
				5.5	1.65	—	—	1.65	—	V	
Hysteresis voltage	$V_H$	—	3.0	0.30	—	—	0.30	—	1.20	V	
			4.5	0.40	—	—	0.40	—	1.40	V	
			5.5	0.5	—	—	0.5	—	1.60	V	
Output voltage	"H" level	$V_{OH}$	$V_{IN} = V_{IL}$	$I_{OH} = -50 \mu A$	2.0	1.9	2.0	—	1.9	—	V
					3.0	2.9	3.0	—	2.9	—	V
					4.5	4.4	4.5	—	4.4	—	V
				$I_{OH} = -4 \text{ mA}$	3.0	2.58	—	—	2.48	—	V
					4.5	3.94	—	—	3.80	—	V
					5.5	—	—	—	—	—	V
	"L" level	$V_{OL}$	$V_{IN} = V_{IH}$	$I_{OL} = 50 \mu A$	2.0	—	0	0.1	—	0.1	V
					3.0	—	0	0.1	—	0.1	V
					4.5	—	0	0.1	—	0.1	V
				$I_{OL} = 4 \text{ mA}$	3.0	—	—	0.36	—	0.44	V
					4.5	—	—	0.36	—	0.44	V
					5.5	—	—	—	—	—	V
Input current	$I_{IN}$	$V_{IN} = 5.5 \text{ V or GND}$	0 to 5.5	—	—	$\pm 0.1$	—	$\pm 1.0$	$\mu A$		
Current consumption	$I_{CC}$	$V_{IN} = V_{CC} \text{ or GND}$	5.5	—	—	1.0	—	10.0	$\mu A$		

**■ AC Electrical Characteristics**

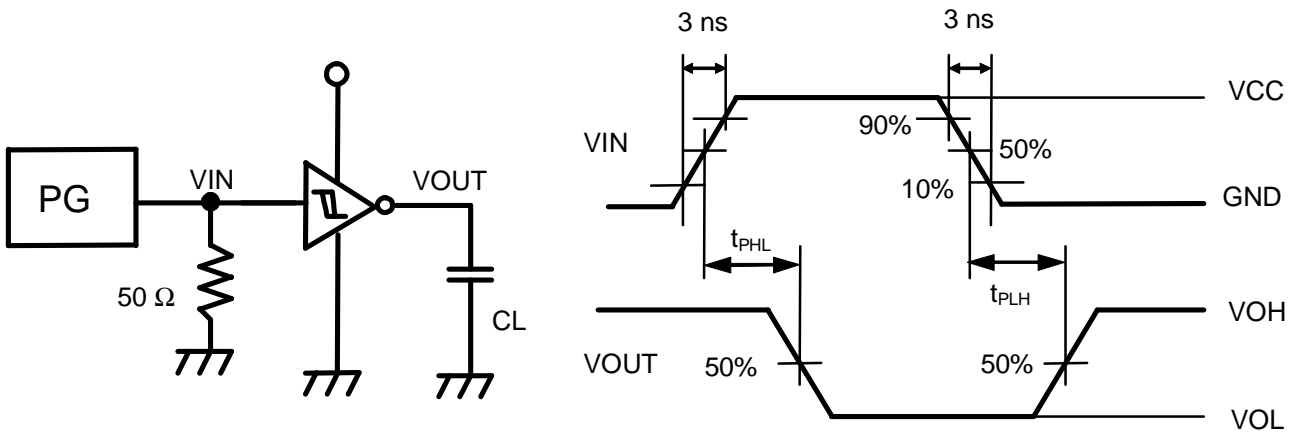
(Input  $t_R = t_F = 3$  ns unless otherwise specified)

Item	Symbol	Measurement Conditions		Ta = 25°C			Ta = -40 to 85°C		Unit	
		V <sub>CC</sub> (V)	C <sub>L</sub> (pF)	Min.	Typ.	Max.	Min.	Max.		
Propagation delay time	$t_{PLH}$ , $t_{PHL}$	—	3.3±0.3	15	—	8.3	12.8	1.0	15.0	ns
				50	—	10.8	16.3	1.0	18.5	ns
			5.0±0.5	15	—	5.5	8.6	1.0	10.0	ns
				50	—	7.0	10.6	1.0	12.0	ns
Input capacitance	C <sub>IN</sub>	—	—	—	4	10	—	10	pF	
Equivalent internal capacitance	C <sub>PD</sub> <sup>*1</sup>	—	—	—	14	—	—	—	pF	

\*1. C<sub>PD</sub> is the no-load equivalent capacitance inside the circuitry. Refer to the measurement circuit shown below.  
 Current consumption is averaged by the following equation.

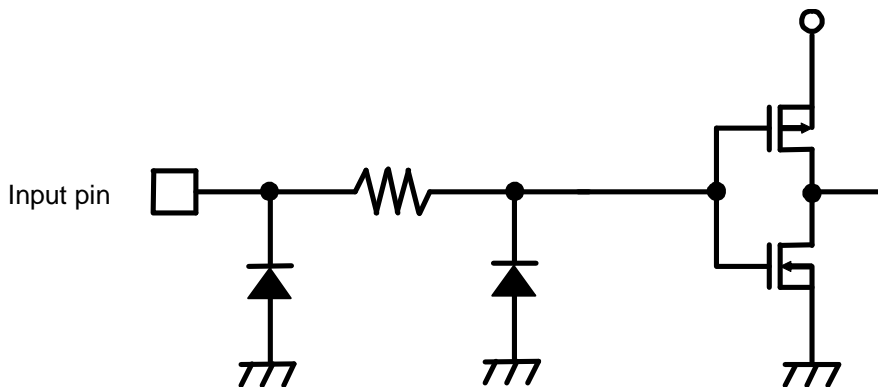
$$I_{CC(opr)} = C_{PD} \times V_{CC} \times fin + I_{CC}$$

**Measurement Circuit**



**Remark** No-load output during measurement of current consumption.

**■ Input Pin Equivalent Circuit**





The S-75V32ANC is a single 2-input OR gate fabricated by utilizing advanced silicon-gate CMOS technology which provides the inherent benefit of CMOS low power consumption to achieve ultra high speed operation correspond to LSTTL IC's.

All gates of the internal circuitry have buffered outputs to ensure high noise immunity and output stability.

Input voltage is allowed to be applied even if power voltage is not supplied because no diode is inserted between an input pin and  $V_{CC}$ .

This allows for interfaces between power supplies of different voltage, output level conversion from 5 V to 3 V and battery backup applications.

### ■ Features

- Wide power supply range: 2 V to 5.5 V
- Low current consumption: 1.0  $\mu$ A max. (at 5.5 V, 25°C)
- Typical propagation delay:  $t_{PD} = 3.8$  ns (at 5 V)
- High noise immunity:  $V_{NIH} = V_{NIL} = 28\% V_{CC}$  min.
- Power down protection: All pins
- Lead-free

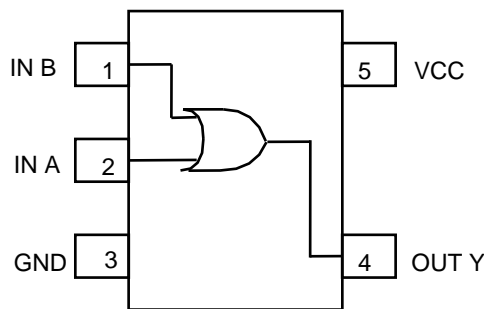
### ■ Applications

- Personal computers, peripherals
- Cellular phones
- Cameras
- Games

### ■ Package

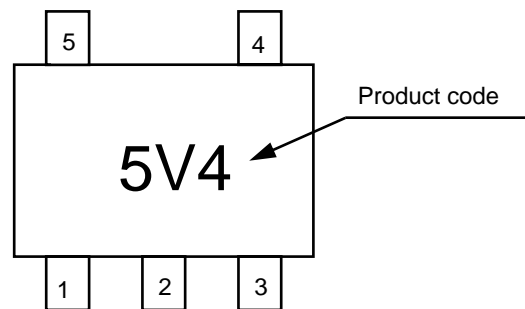
- SC-88A

### ■ Pin Configuration



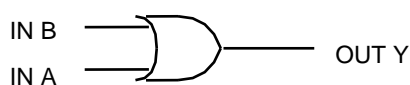
(Top view)

### ■ Marking Specification



(Top view)

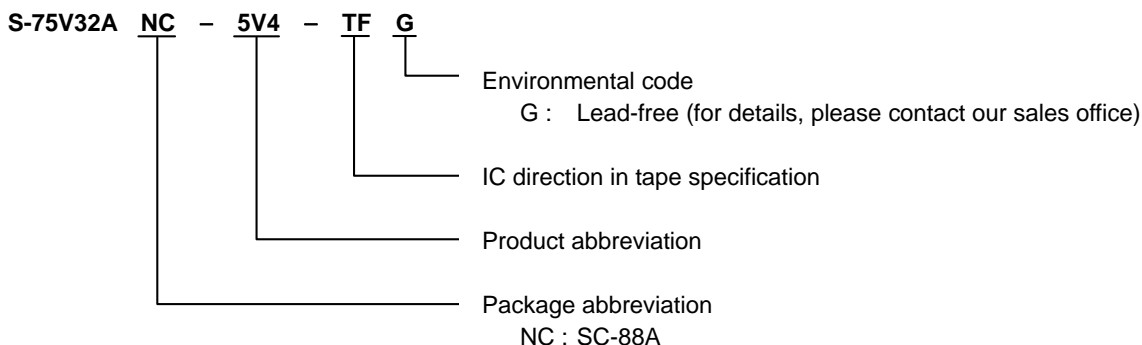
### ■ Logic Diagram



True values

A	B	Y
L	L	L
L	H	H
H	L	H
H	H	H

■ Product Name Structure



■ Absolute Maximum Ratings

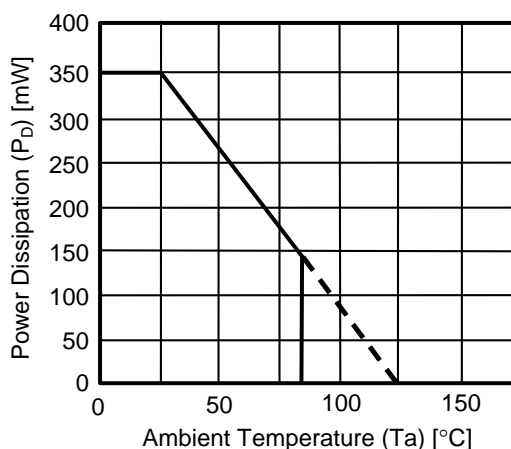
(Ta = 25°C unless otherwise specified)

Item	Symbol	Absolute Maximum Ratings	Unit
Power supply voltage	$V_{CC}$	-0.5 to +7.0	V
Input voltage	$V_{IN}$	-0.5 to +7.0	V
Output voltage	$V_{OUT}$	-0.5 to $V_{CC} + 0.5$	V
Input parasitic diode current	$I_{IK}$	-20	mA
Output parasitic diode current	$I_{OK}$	±20	mA
Output current	$I_{OUT}$	±25	mA
$V_{CC}/GND$ current	$I_{CC}$	±50	mA
Power dissipation	$P_D$	200 (When not mounted on board)	mW
		350*1	mW
Operating ambient temperature	$T_{opr}$	-40 to +85	°C
Storage temperature	$T_{stg}$	-65 to +150	°C
Lead temperature (10 s)	$T_L$	260	°C

\*1. When mounted on board  
[Mounted board]

- (1) Board size : 114.3 mm × 76.2 mm × t1.6 mm
- (2) Board name : JEDEC STANDARD51-7

**Caution** The absolute maximum ratings are rated values exceeding which the product could suffer physical damage. These values must therefore not be exceeded under any conditions.



Power Dissipation of Package (When Mounted on Board)

### ■ Recommended Operating Conditions

Item	Symbol	Standard	Unit
Power voltage	$V_{CC}$	2 to 5.5	V
Input voltage	$V_{IN}$	0 to 5.5	V
Output voltage	$V_{OUT}$	0 to $V_{CC}$	V
Input rise / fall time	$t_R, t_F$	0 to 100 ( $V_{CC} = 3.3 \pm 0.3$ V)	ns
		0 to 20 ( $V_{CC} = 5 \pm 0.5$ V)	ns

### ■ DC Electrical Characteristics

Item	Symbol	Conditions	$T_a = 25^\circ\text{C}$			$T_a = -40$ to $85^\circ\text{C}$		Unit			
			$V_{CC}$	Min.	Typ.	Max.	Min.		Max.		
Input voltage	"H" level	$V_{IH}$	—	2.0	1.5	—	—	1.5	—	V	
				3 to 5.5	$V_{CC} \times 0.7$	—	—	$V_{CC} \times 0.7$	—	V	
	"L" level	$V_{IL}$	—	2.0	—	—	0.5	—	0.5	V	
				3 to 5.5	—	—	$V_{CC} \times 0.3$	—	$V_{CC} \times 0.3$	V	
Output voltage	"H" level	$V_{OH}$	$V_{IN} = V_{IL}$ or $V_{IH}$	$I_{OH} = -50 \mu\text{A}$	2.0	1.9	2.0	—	1.9	—	V
					3.0	2.9	3.0	—	2.9	—	V
					4.5	4.4	4.5	—	4.4	—	V
				$I_{OH} = -4 \text{ mA}$	3.0	2.58	—	—	2.48	—	V
					4.5	3.94	—	—	3.80	—	V
						$I_{OH} = -8 \text{ mA}$	4.5	3.94	—	—	3.80
	"L" level	$V_{OL}$	$V_{IN} = V_{IL}$	$I_{OL} = 50 \mu\text{A}$	2.0	—	0	0.1	—	0.1	V
					3.0	—	0	0.1	—	0.1	V
					4.5	—	0	0.1	—	0.1	V
					$I_{OL} = 4 \text{ mA}$	3.0	—	—	0.36	—	0.44
$I_{OL} = 8 \text{ mA}$	4.5	—	—	0.36	—	0.44	V				
Input current	$I_{IN}$	$V_{IN} = 5.5 \text{ V}$ or GND	0 to 5.5	—	—	$\pm 0.1$	—	$\pm 1.0$	$\mu\text{A}$		
Current consumption	$I_{CC}$	$V_{IN} = V_{CC}$ or GND	5.5	—	—	1.0	—	10.0	$\mu\text{A}$		

■ AC Electrical Characteristics

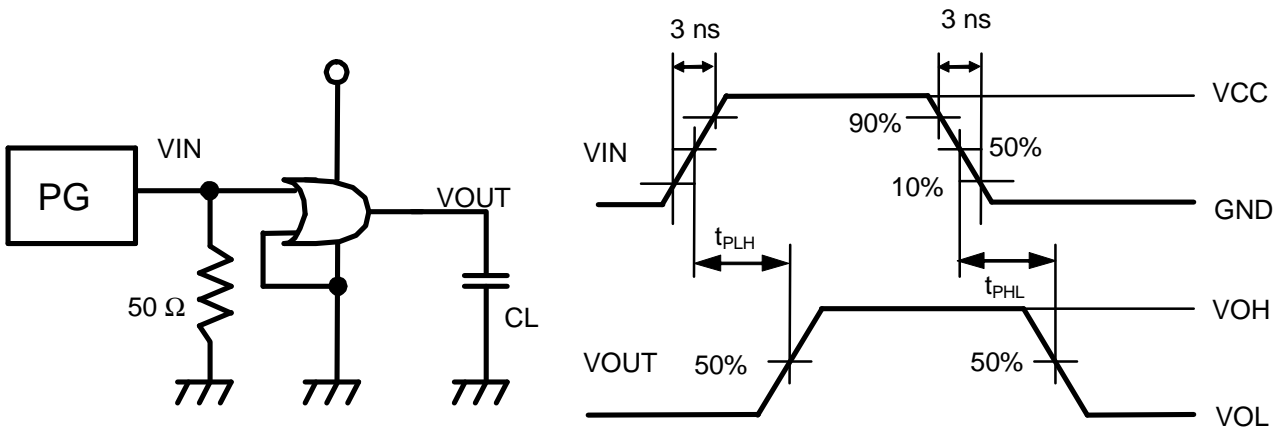
(Input  $t_R = t_F = 3$  ns unless otherwise specified)

Item	Symbol	Measurement Conditions		Ta = 25°C			Ta = -40 to 85°C		Unit
		V <sub>CC</sub> (V)	C <sub>L</sub> (pF)	Min.	Typ.	Max.	Min.	Max.	
Propagation delay time	$t_{PLH}$ , $t_{PHL}$	3.3±0.3	15	—	5.5	7.9	1.0	9.5	ns
			50	—	10.0	14.0	1.0	15.0	ns
		5.0±0.5	15	—	3.8	5.5	1.0	6.5	ns
			50	—	6.1	8.5	1.0	9.0	ns
Input capacitance	C <sub>IN</sub>	—	—	4	10	—	10	pF	
Equivalent internal capacitance	C <sub>PD</sub> <sup>*1</sup>	—	—	15	—	—	—	pF	

\*1. C<sub>PD</sub> is the no-load equivalent capacitance inside the circuitry. Refer to the measurement circuit shown below. Current consumption is averaged by the following equation.

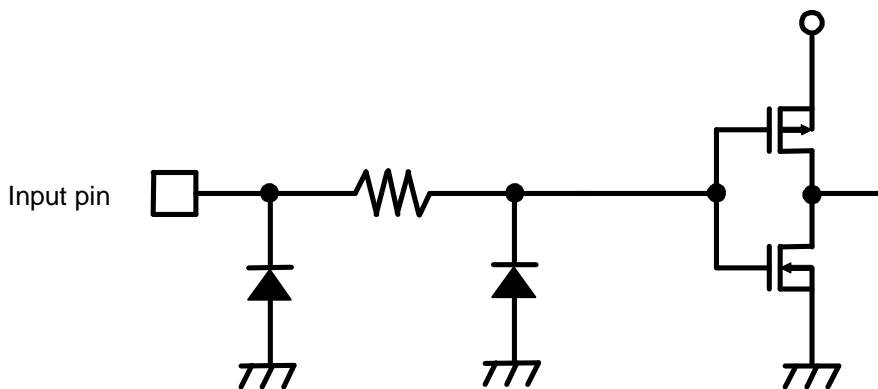
$$I_{CC(opr)} = C_{PD} \times V_{CC} \times fin + I_{CC}$$

Measurement Circuit



Remark No-load output during measurement of current consumption.

■ Input Pin Equivalent Circuit



The S-75V86ANC is a EXCLUSIVE OR GATE fabricated by utilizing advanced silicon-gate CMOS technology which provides the inherent benefit of CMOS low power consumption to achieve ultra high speed operation correspond to LSTTL IC's.

All gates of the internal circuitry have buffered outputs to ensure high noise immunity and output stability.

Input voltage is allowed to be applied even if power voltage is not supplied because no diode is inserted between an input pin and  $V_{CC}$ .

This allows for interfaces between power supplies of different voltage, output level conversion from 5 V to 3 V and battery backup applications.

### ■ Features

- Wide power supply range: 2 V to 5.5 V
- Low current consumption: 1.0  $\mu$ A max. (at 5.5 V, 25°C)
- Typical propagation delay:  $t_{PD} = 4.8$  ns (at 5 V)
- High noise immunity:  $V_{NIH} = V_{NIL} = 28\% V_{CC}$  min.
- Power down protection: All pins
- Lead-free

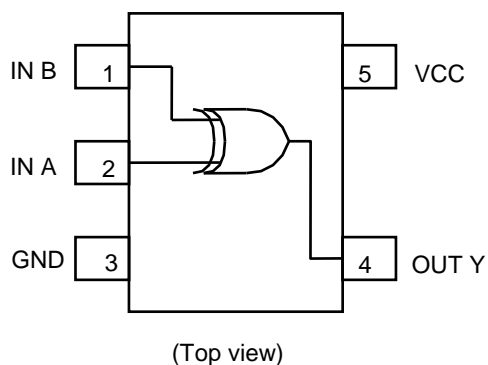
### ■ Applications

- Personal computers, peripherals
- Cellular phones
- Cameras
- Games

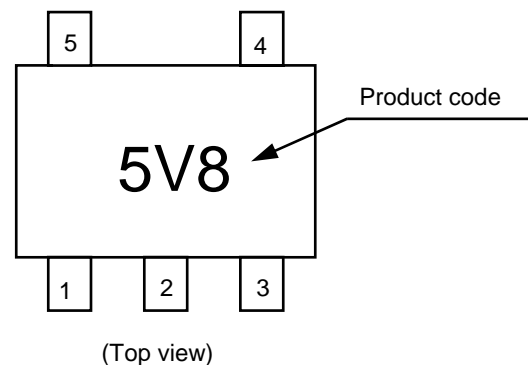
### ■ Package

- SC-88A

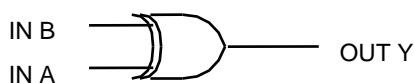
### ■ Pin Configuration



### ■ Marking Specification



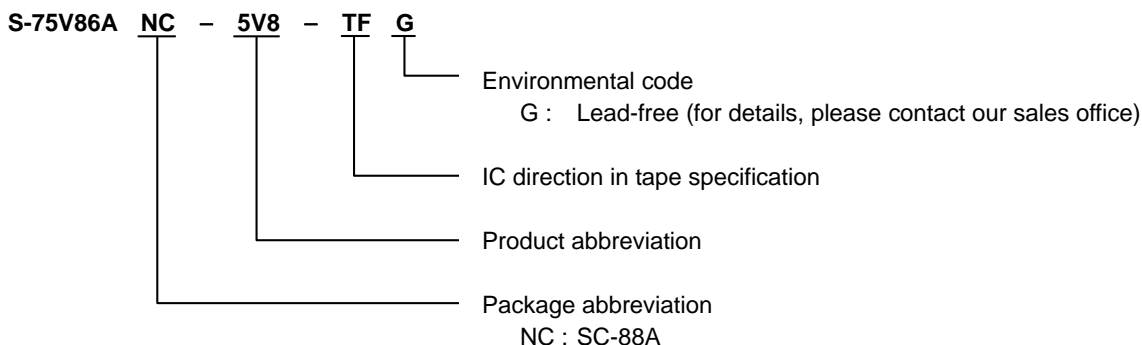
### ■ Logic Diagram



True values

A	B	Y
L	L	L
L	H	H
H	L	H
H	H	L

■ Product Name Structure



■ Absolute Maximum Ratings

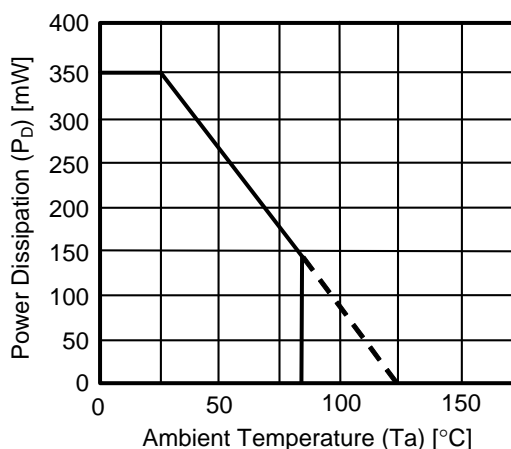
(Ta = 25°C unless otherwise specified)

Item	Symbol	Absolute Maximum Ratings	Unit
Power supply voltage	$V_{CC}$	-0.5 to +7.0	V
Input voltage	$V_{IN}$	-0.5 to +7.0	V
Output voltage	$V_{OUT}$	-0.5 to $V_{CC} + 0.5$	V
Input parasitic diode current	$I_{IK}$	-20	mA
Output parasitic diode current	$I_{OK}$	±20	mA
Output current	$I_{OUT}$	±25	mA
$V_{CC}$ /GND current	$I_{CC}$	±50	mA
Power dissipation	$P_D$	200 (When not mounted on board)	mW
		350*1	mW
Operating ambient temperature	$T_{opr}$	-40 to +85	°C
Storage temperature	$T_{stg}$	-65 to +150	°C
Lead temperature (10 s)	$T_L$	260	°C

\*1. When mounted on board  
[Mounted board]

- (1) Board size : 114.3 mm × 76.2 mm × t1.6 mm
- (2) Board name : JEDEC STANDARD51-7

**Caution** The absolute maximum ratings are rated values exceeding which the product could suffer physical damage. These values must therefore not be exceeded under any conditions.



Power Dissipation of Package (When Mounted on Board)

### ■ Recommended Operating Conditions

Item	Symbol	Standard	Unit
Power voltage	$V_{CC}$	2 to 5.5	V
Input voltage	$V_{IN}$	0 to 5.5	V
Output voltage	$V_{OUT}$	0 to $V_{CC}$	V
Input rise / fall time	$t_R, t_F$	0 to 100 ( $V_{CC} = 3.3 \pm 0.3$ V)	ns
		0 to 20 ( $V_{CC} = 5 \pm 0.5$ V)	ns

### ■ DC Electrical Characteristics

Item	Symbol	Conditions	$T_a = 25^\circ\text{C}$			$T_a = -40$ to $85^\circ\text{C}$		Unit				
			$V_{CC}$	Min.	Typ.	Max.	Min.		Max.			
Input voltage	"H" level	$V_{IH}$	—	2.0	1.5	—	—	1.5	—	V		
				3 to 5.5	$V_{CC} \times 0.7$	—	—	$V_{CC} \times 0.7$	—	V		
	"L" level	$V_{IL}$	—	2.0	—	—	0.5	—	0.5	V		
				3 to 5.5	—	—	$V_{CC} \times 0.3$	—	$V_{CC} \times 0.3$	V		
Output voltage	"H" level	$V_{OH}$	$V_{IN} = V_{IL}$ or $V_{IH}$	$I_{OH} = -50 \mu\text{A}$	2.0	1.9	2.0	—	1.9	—	V	
					3.0	2.9	3.0	—	2.9	—	V	
					4.5	4.4	4.5	—	4.4	—	V	
				$I_{OH} = -4 \text{ mA}$	3.0	2.58	—	—	2.48	—	V	
					$I_{OH} = -8 \text{ mA}$	4.5	3.94	—	—	3.80	—	V
						—	—	—	—	—	—	V
	"L" level	$V_{OL}$	$V_{IN} = V_{IL}$ or $V_{IH}$	$I_{OL} = 50 \mu\text{A}$	2.0	—	0	0.1	—	0.1	V	
					3.0	—	0	0.1	—	0.1	V	
					4.5	—	0	0.1	—	0.1	V	
					$I_{OL} = 4 \text{ mA}$	3.0	—	—	0.36	—	0.44	V
4.5	—	—	0.36	—		0.44	V					
Input current	$I_{IN}$	$V_{IN} = 5.5 \text{ V}$ or GND	0 to 5.5	—	—	$\pm 0.1$	—	$\pm 1.0$	$\mu\text{A}$			
Current consumption	$I_{CC}$	$V_{IN} = V_{CC}$ or GND	5.5	—	—	1.0	—	10.0	$\mu\text{A}$			

■ AC Electrical Characteristics

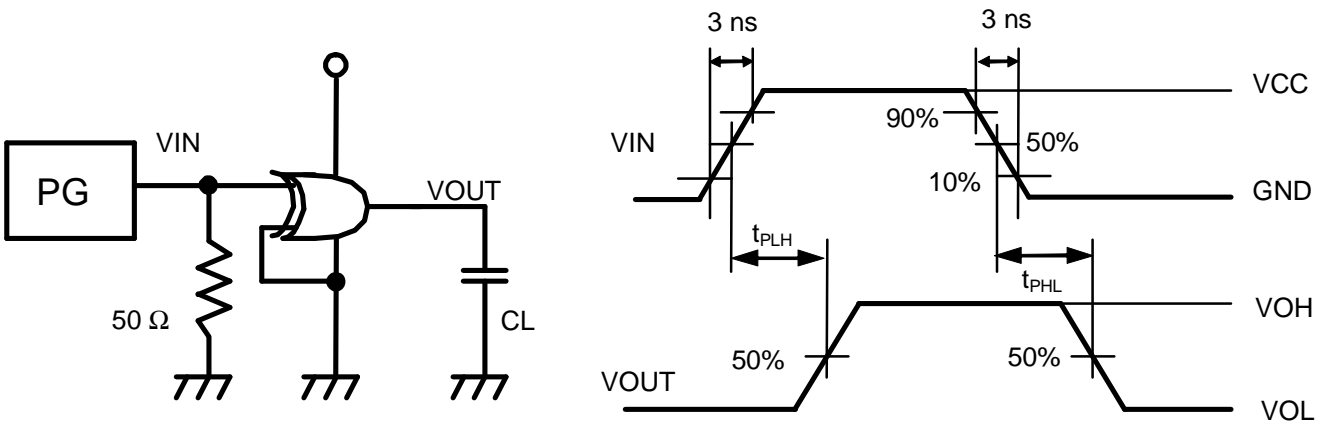
(Input  $t_R = t_F = 3$  ns unless otherwise specified)

Item	Symbol	Measurement Conditions		Ta = 25°C			Ta = -40 to 85°C		Unit	
		V <sub>CC</sub> (V)	C <sub>L</sub> (pF)	Min.	Typ.	Max.	Min.	Max.		
Propagation delay time	$t_{PLH}$ , $t_{PHL}$	—	3.3±0.3	15	—	7.0	11.0	1.0	13.0	ns
				50	—	10.4	14.5	1.0	16.5	ns
			5.0±0.5	15	—	4.8	6.8	1.0	8.0	ns
				50	—	6.5	9.0	1.0	10.0	ns
Input capacitance	C <sub>IN</sub>	—	—	—	4	10	—	10	pF	
Equivalent internal capacitance	C <sub>PD</sub> <sup>*1</sup>	—	—	—	18	—	—	—	pF	

\*1. C<sub>PD</sub> is the no-load equivalent capacitance inside the circuitry. Refer to the measurement circuit shown below. Current consumption is averaged by the following equation.

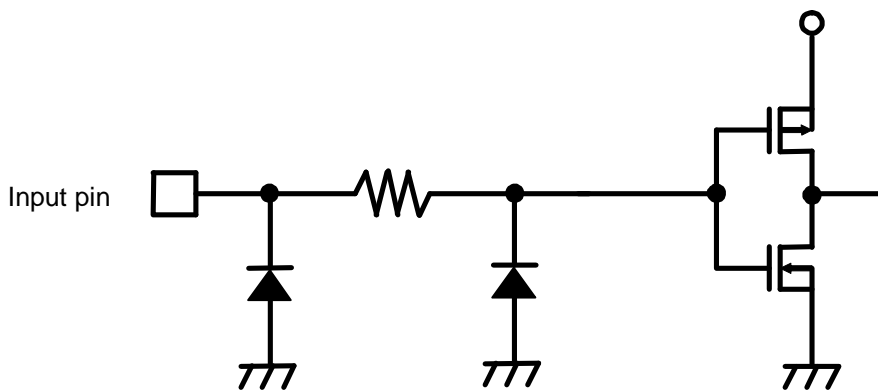
$$I_{CC(opr)} = C_{PD} \times V_{CC} \times fin + I_{CC}$$

Measurement Circuit



Remark No-load output during measurement of current consumption.

■ Input Pin Equivalent Circuit





The S-75L00ANC is a single 2-input NAND gate fabricated by utilizing advanced silicon-gate CMOS technology which provides the inherent benefit of CMOS low power consumption to achieve operation by only a couple of batteries (1 to 3 V). The internal circuitry has buffered outputs to ensure high noise immunity and output stability.

Input voltage is allowed to be applied even if power voltage is not supplied because no diode is inserted between an input pin and  $V_{CC}$ .

This allows for interfaces between power supplies of different voltage, output level conversion from 3 V to 1 V and battery backup applications.

### ■ Features

- Wide power supply range: 1 V to 3.6 V
- Low current consumption: 1.0  $\mu$ A max. (at 3.6 V, 25°C)
- Typical propagation delay:  $t_{PD} = 7$  ns (at 3 V)
- High noise immunity:  $V_{NIH} = V_{NIL} = 28\% V_{CC}$  min.
- Power down protection: All pins
- Lead-free

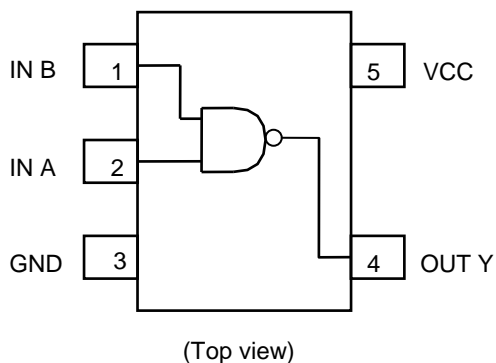
### ■ Applications

- Personal computers, peripherals
- Cellular phones
- Cameras
- Games

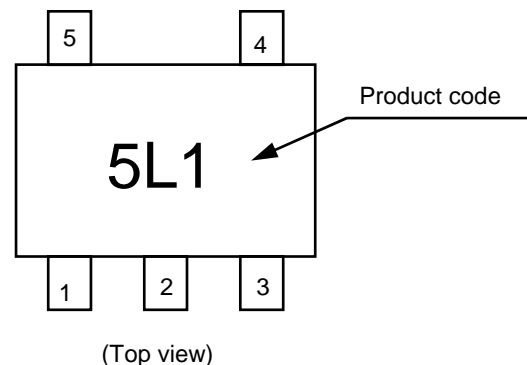
### ■ Package

- SC-88A

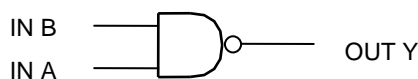
### ■ Pin Configuration



### ■ Marking Specification



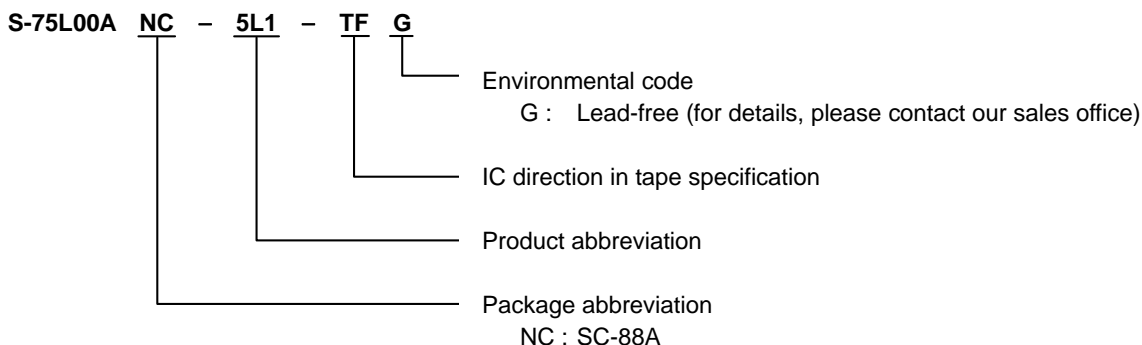
### ■ Logic Diagram



True values

A	B	Y
L	L	H
L	H	H
H	L	H
H	H	L

■ Product Name Structure



■ Absolute Maximum Ratings

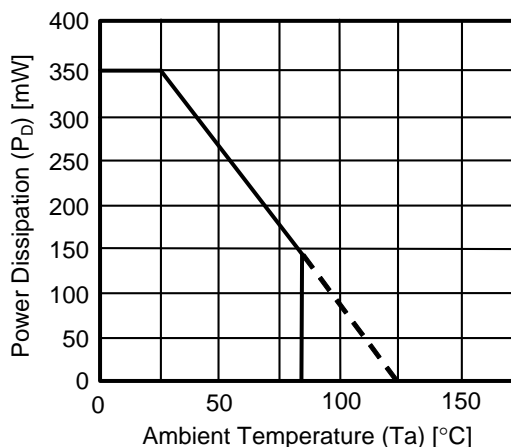
(Ta = 25°C unless otherwise specified)

Item	Symbol	Absolute Maximum Ratings	Unit
Power supply voltage	$V_{CC}$	-0.5 to +5.0	V
Input voltage	$V_{IN}$	-0.5 to +5.0	V
Output voltage	$V_{OUT}$	-0.5 to $V_{CC} + 0.5$	V
Input parasitic diode current	$I_{IK}$	-20	mA
Output parasitic diode current	$I_{OK}$	±20	mA
Output current	$I_{OUT}$	±12.5	mA
$V_{CC}/GND$ current	$I_{CC}$	±25	mA
Power dissipation	$P_D$	200 (When not mounted on board)	mW
		350*1	mW
Operating ambient temperature	$T_{opr}$	-40 to +85	°C
Storage temperature	$T_{stg}$	-65 to +150	°C
Lead temperature (10 s)	$T_L$	260	°C

\*1. When mounted on board  
[Mounted board]

- (1) Board size : 114.3 mm × 76.2 mm × t1.6 mm
- (2) Board name : JEDEC STANDARD51-7

**Caution** The absolute maximum ratings are rated values exceeding which the product could suffer physical damage. These values must therefore not be exceeded under any conditions.



Power Dissipation of Package (When Mounted on Board)

### ■ Recommended Operating Conditions

Item	Symbol	Standard	Unit
Power voltage	$V_{CC}$	1 to 3.6	V
Input voltage	$V_{IN}$	0 to 3.6	V
Output voltage	$V_{OUT}$	0 to $V_{CC}$	V
Input rise / fall time	$t_R, t_F$	0 to 1000 ( $V_{CC} = 1.0$ V)	ns
		0 to 500 ( $V_{CC} = 2.0$ V)	ns
		0 to 400 ( $V_{CC} = 3.0$ V)	ns

### ■ DC Electrical Characteristics

Item	Symbol	Conditions	$T_a = 25^\circ\text{C}$			$T_a = -40$ to $85^\circ\text{C}$		Unit			
			$V_{CC}$	Min.	Typ.	Max.	Min.		Max.		
Input voltage	"H" level	$V_{IH}$	—	1.0	0.75	—	—	0.75	—	V	
				1.5	1.05	—	—	1.05	—	V	
				3.0	2.10	—	—	2.10	—	V	
	"L" level	$V_{IL}$	—	1.0	—	—	0.25	—	0.25	V	
				1.5	—	—	0.45	—	0.45	V	
				3.0	—	—	0.90	—	0.90	V	
Output voltage	"H" level	$V_{OH}$	$V_{IN} = V_{IH}$ or $V_{IL}$	$I_{OH} = -20 \mu\text{A}$	1.0	0.9	1.0	—	0.9	—	V
					1.5	1.4	1.5	—	1.4	—	V
					3.0	2.9	3.0	—	2.9	—	V
				$I_{OH} = -1 \text{ mA}$	1.5	1.07	1.23	—	0.99	—	V
					3.0	2.61	2.68	—	2.55	—	V
					3.0	2.61	2.68	—	2.55	—	V
	"L" level	$V_{OL}$	$V_{IN} = V_{IH}$	$I_{OL} = 20 \mu\text{A}$	1.0	—	0	0.1	—	0.1	V
					1.5	—	0	0.1	—	0.1	V
					3.0	—	0	0.1	—	0.1	V
				$I_{OL} = 1 \text{ mA}$	1.5	—	0.23	0.31	—	0.37	V
					3.0	—	0.23	0.31	—	0.33	V
					3.0	—	0.23	0.31	—	0.33	V
Input current	$I_{IN}$	$V_{IN} = V_{CC}$ or GND	3.6	—	—	$\pm 0.1$	—	$\pm 1.0$	$\mu\text{A}$		
Current consumption	$I_{CC}$	$V_{IN} = V_{CC}$ or GND	3.6	—	—	1.0	—	10.0	$\mu\text{A}$		

**■ AC Electrical Characteristics**

( $C_L = 15$  pf, Input  $t_R = t_F = 6$  ns,  $V_{CC} = 3.3 \pm 0.3$  V,  $T_a = 25^\circ\text{C}$  unless otherwise specified)

Item	Symbol	Measurement Conditions	Min.	Typ.	Max.	Unit
Output rise / fall time	$t_{TLH}$ , $t_{THL}$	—	—	4.0	8.5	ns
Propagation delay time	$t_{PLH}$ , $t_{PHL}$	—	—	6.0	9.0	ns

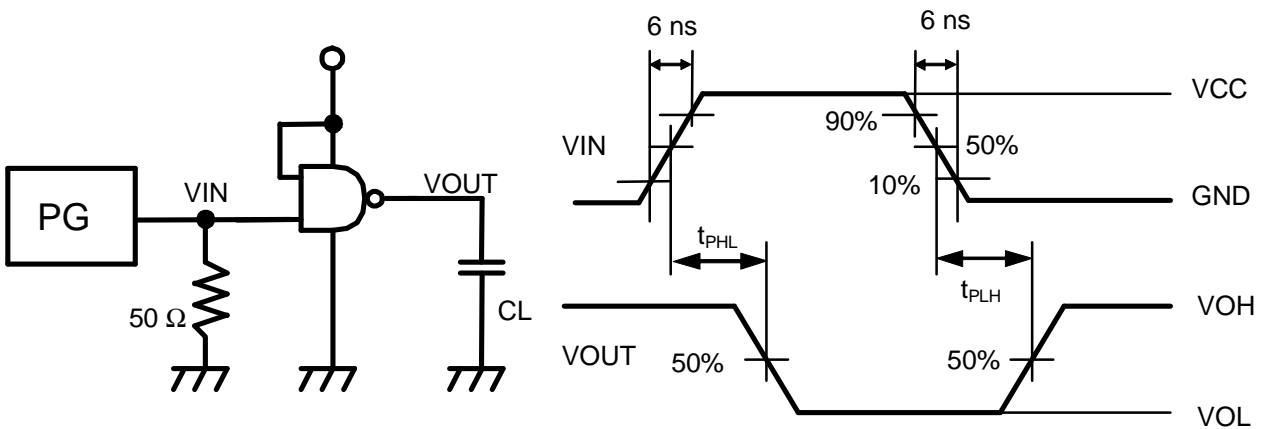
( $C_L = 25$  pf, Input  $t_R = t_F = 6$  ns unless otherwise specified)

Item	Symbol	Measurement Conditions	$T_a = 25^\circ\text{C}$			$T_a = -40$ to $85^\circ\text{C}$		Unit	
			$V_{CC}$ (V)	Min.	Typ.	Max.	Min.		Max.
Output rise / fall time	$t_{TLH}$ , $t_{THL}$	—	1.0	—	35	70	—	90	ns
			1.5	—	15	25	—	30	ns
			3.0	—	7	10	—	14	ns
Propagation delay time	$t_{PLH}$ , $t_{PHL}$	—	1.0	—	30	60	—	75	ns
			1.5	—	15	25	—	30	ns
			3.0	—	7	10	—	14	ns
Input capacitance	$C_{IN}$	—	—	5	10	—	10	pF	
Equivalent internal capacitance	$C_{PD}^{*1}$	—	—	10	—	—	—	pF	

\*1.  $C_{PD}$  is the no-load equivalent capacitance inside the circuitry. Refer to the measurement circuit shown below.  
 Current consumption is averaged by the following equation.

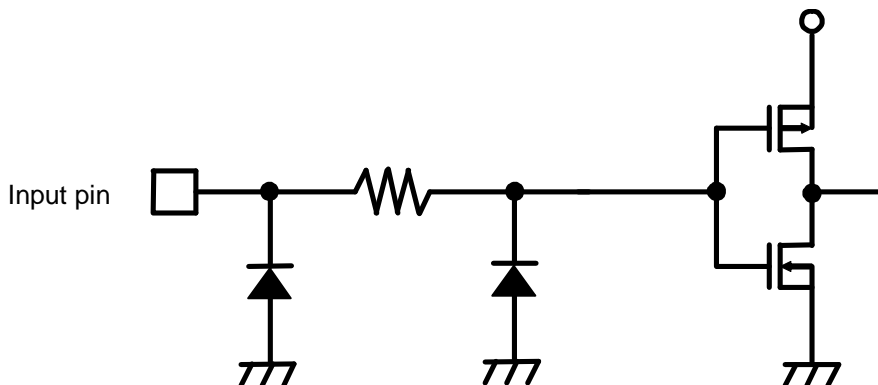
$$I_{CC(opr)} = C_{PD} \times V_{CC} \times fin + I_{CC}$$

**Measurement Circuit**



**Remark** No-load output during measurement of current consumption.

**■ Input Pin Equivalent Circuit**



The S-75L02ANC is a single 2-input NOR gate fabricated by utilizing advanced silicon-gate CMOS technology which provides the inherent benefit of CMOS low power consumption to achieve operation by only a couple of batteries (1 to 3 V). The internal circuitry has buffered outputs to ensure high noise immunity and output stability.

Input voltage is allowed to be applied even if power voltage is not supplied because no diode is inserted between an input pin and  $V_{CC}$ .

This allows for interfaces between power supplies of different voltage, output level conversion from 3 V to 1 V and battery backup applications.

### ■ Features

- Wide power supply range: 1 V to 3.6 V
- Low current consumption: 1.0  $\mu$ A max. (at 3.6 V, 25°C)
- Typical propagation delay:  $t_{PD} = 7$  ns (at 3 V)
- High noise immunity:  $V_{NIH} = V_{NIL} = 28\% V_{CC}$  min.
- Power down protection: All pins
- Lead-free

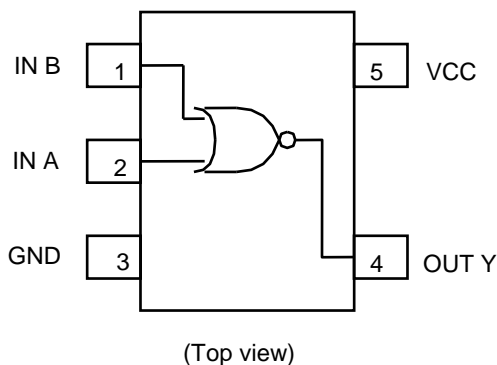
### ■ Applications

- Personal computers, peripherals
- Cellular phones
- Cameras
- Games

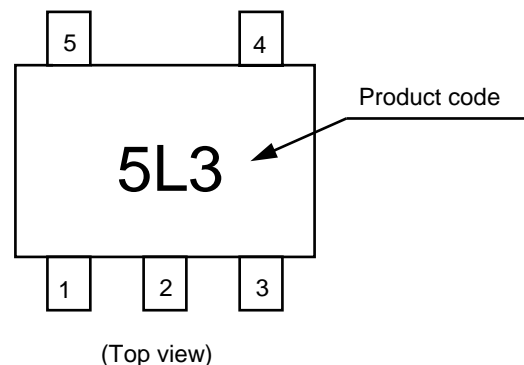
### ■ Package

- SC-88A

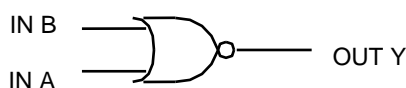
### ■ Pin Configuration



### ■ Marking Specification



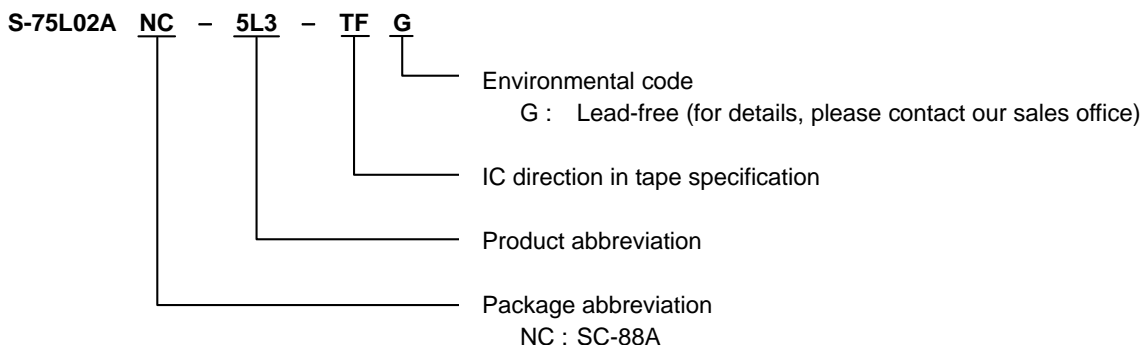
### ■ Logic Diagram



True values

A	B	Y
L	L	H
L	H	L
H	L	L
H	H	L

■ Product Name Structure



■ Absolute Maximum Ratings

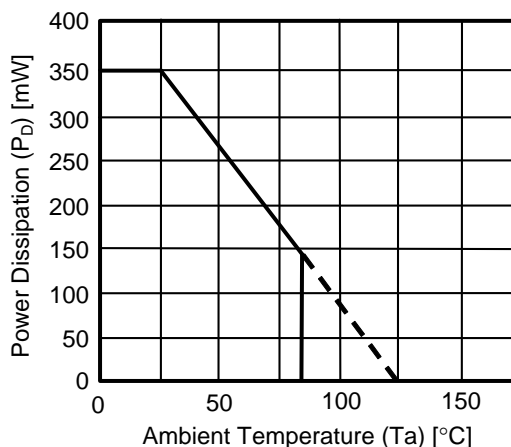
(Ta = 25°C unless otherwise specified)

Item	Symbol	Absolute Maximum Ratings	Unit
Power supply voltage	$V_{CC}$	-0.5 to +5.0	V
Input voltage	$V_{IN}$	-0.5 to +5.0	V
Output voltage	$V_{OUT}$	-0.5 to $V_{CC} + 0.5$	V
Input parasitic diode current	$I_{IK}$	-20	mA
Output parasitic diode current	$I_{OK}$	±20	mA
Output current	$I_{OUT}$	±12.5	mA
$V_{CC}/GND$ current	$I_{CC}$	±25	mA
Power dissipation	$P_D$	200 (When not mounted on board)	mW
		350*1	mW
Operating ambient temperature	$T_{opr}$	-40 to +85	°C
Storage temperature	$T_{stg}$	-65 to +150	°C
Lead temperature (10 s)	$T_L$	260	°C

\*1. When mounted on board  
[Mounted board]

- (1) Board size : 114.3 mm × 76.2 mm × t1.6 mm
- (2) Board name : JEDEC STANDARD51-7

**Caution** The absolute maximum ratings are rated values exceeding which the product could suffer physical damage. These values must therefore not be exceeded under any conditions.



Power Dissipation of Package (When Mounted on Board)

### ■ Recommended Operating Conditions

Item	Symbol	Standard	Unit
Power voltage	$V_{CC}$	1 to 3.6	V
Input voltage	$V_{IN}$	0 to 3.6	V
Output voltage	$V_{OUT}$	0 to $V_{CC}$	V
Input rise / fall time	$t_R, t_F$	0 to 1000 ( $V_{CC} = 1.0$ V)	ns
		0 to 500 ( $V_{CC} = 2.0$ V)	ns
		0 to 400 ( $V_{CC} = 3.0$ V)	ns

### ■ DC Electrical Characteristics

Item	Symbol	Conditions	$T_a = 25^\circ\text{C}$			$T_a = -40$ to $85^\circ\text{C}$		Unit			
			$V_{CC}$	Min.	Typ.	Max.	Min.		Max.		
Input voltage	"H" level	$V_{IH}$	—	1.0	0.75	—	—	0.75	—	V	
				1.5	1.05	—	—	1.05	—	V	
				3.0	2.10	—	—	2.10	—	V	
	"L" level	$V_{IL}$	—	1.0	—	—	0.25	—	0.25	V	
				1.5	—	—	0.45	—	0.45	V	
				3.0	—	—	0.90	—	0.90	V	
Output voltage	"H" level	$V_{OH}$	$V_{IN} = V_{IL}$	$I_{OH} = -20 \mu\text{A}$	1.0	0.9	1.0	—	0.9	—	V
					1.5	1.4	1.5	—	1.4	—	V
					3.0	2.9	3.0	—	2.9	—	V
				$I_{OH} = -1 \text{ mA}$	1.5	1.07	1.23	—	0.99	—	V
					3.0	2.61	2.68	—	2.55	—	V
					$I_{OH} = -2.6 \text{ mA}$	3.0	2.61	2.68	—	2.55	—
	"L" level	$V_{OL}$	$V_{IN} = V_{IL}$ or $V_{IH}$	$I_{OL} = 20 \mu\text{A}$	1.0	—	0	0.1	—	0.1	V
					1.5	—	0	0.1	—	0.1	V
					3.0	—	0	0.1	—	0.1	V
				$I_{OL} = 1 \text{ mA}$	1.5	—	0.23	0.31	—	0.37	V
					3.0	—	0.23	0.31	—	0.33	V
					$I_{OL} = 2.6 \text{ mA}$	3.0	—	0.23	0.31	—	0.33
Input current	$I_{IN}$	$V_{IN} = V_{CC}$ or GND	3.6	—	—	$\pm 0.1$	—	$\pm 1.0$	$\mu\text{A}$		
Current consumption	$I_{CC}$	$V_{IN} = V_{CC}$ or GND	3.6	—	—	1.0	—	10.0	$\mu\text{A}$		

**■ AC Electrical Characteristics**

( $C_L = 15$  pf, Input  $t_R = t_F = 6$  ns,  $V_{CC} = 3.3 \pm 0.3$  V,  $T_a = 25^\circ\text{C}$  unless otherwise specified)

Item	Symbol	Measurement Conditions	Min.	Typ.	Max.	Unit
Output rise / fall time	$t_{TLH}$ , $t_{THL}$	—	—	4.0	8.0	ns
Propagation delay time	$t_{PLH}$ , $t_{PHL}$	—	—	6.0	9.0	ns

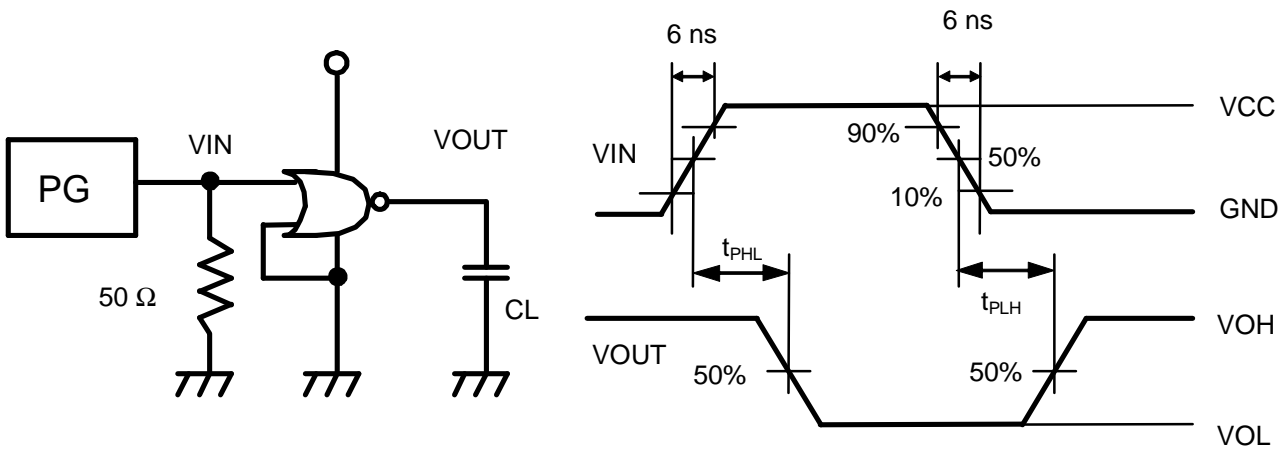
( $C_L = 25$  pf, Input  $t_R = t_F = 6$  ns unless otherwise specified)

Item	Symbol	Measurement Conditions	$T_a = 25^\circ\text{C}$			$T_a = -40$ to $85^\circ\text{C}$		Unit	
			$V_{CC}$ (V)	Min.	Typ.	Max.	Min.		Max.
Output rise / fall time	$t_{TLH}$ , $t_{THL}$	—	1.0	—	35	70	—	90	ns
			1.5	—	15	25	—	30	ns
			3.0	—	7	10	—	14	ns
Propagation delay time	$t_{PLH}$ , $t_{PHL}$	—	1.0	—	30	60	—	75	ns
			1.5	—	15	25	—	30	ns
			3.0	—	7	10	—	14	ns
Input capacitance	$C_{IN}$	—	—	5	10	—	10	pF	
Equivalent internal capacitance	$C_{PD}^{*1}$	—	—	10	—	—	—	pF	

\*1.  $C_{PD}$  is the no-load equivalent capacitance inside the circuitry. Refer to the measurement circuit shown below.  
 Current consumption is averaged by the following equation.

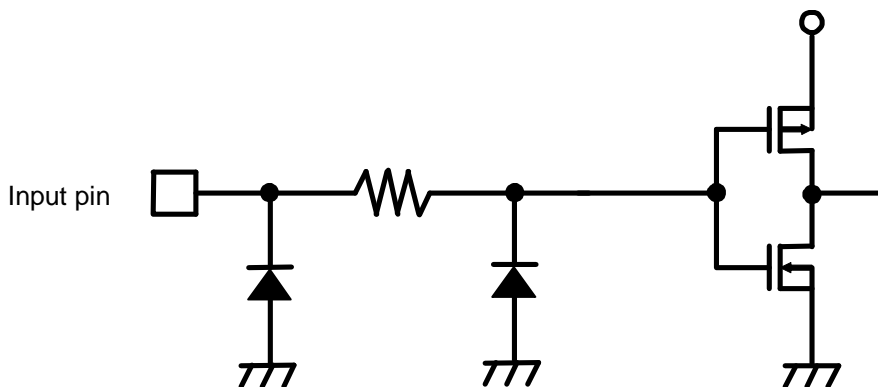
$$I_{CC(opr)} = C_{PD} \times V_{CC} \times fin + I_{CC}$$

**Measurement Circuit**



**Remark** No-load output during measurement of current consumption.

**■ Input Pin Equivalent Circuit**





The S-75L04ANC is an inverter fabricated by utilizing advanced silicon-gate CMOS technology which provides the inherent benefit of CMOS low power consumption to achieve operation by only a couple of batteries (1 to 3 V).

The internal circuitry has buffered outputs to ensure high noise immunity and output stability.

Input voltage is allowed to be applied even if power voltage is not supplied because no diode is inserted between an input pin and  $V_{CC}$ .

This allows for interfaces between power supplies of different voltage, output level conversion from 3 V to 1 V and battery backup applications.

### ■ Features

- Wide power supply range: 1 V to 3.6 V
- Low current consumption: 1.0  $\mu$ A max. (at 3.6 V, 25°C)
- Typical propagation delay:  $t_{PD} = 7$  ns (at 3 V)
- High noise immunity:  $V_{NIH} = V_{NIL} = 28\% V_{CC}$  min.
- Power down protection: All pins
- Lead-free

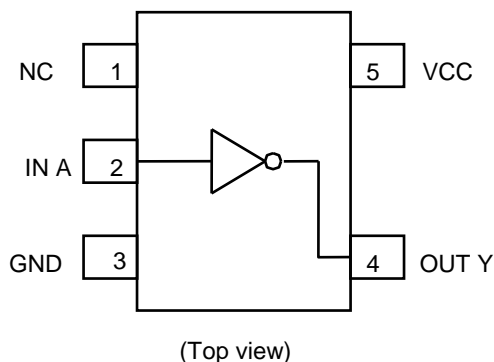
### ■ Applications

- Personal computers, peripherals
- Cellular phones
- Cameras
- Games

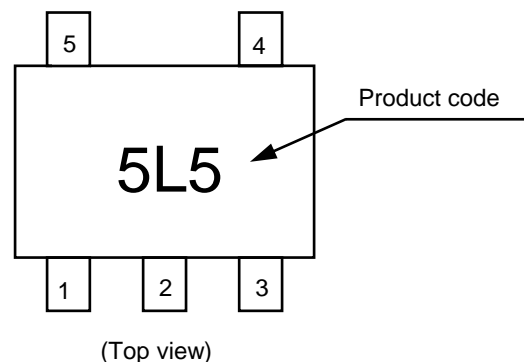
### ■ Package

- SC-88A

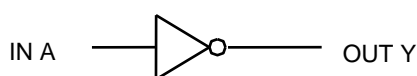
### ■ Pin Configuration



### ■ Marking Specification



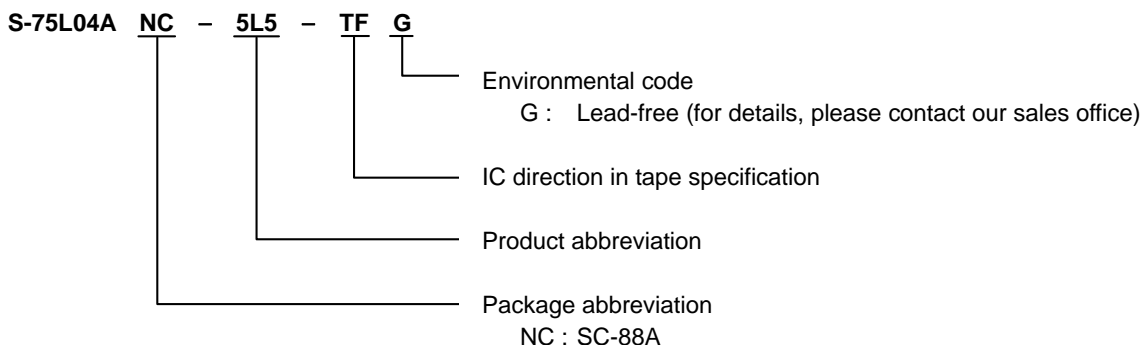
### ■ Logic Diagram



True values

A	Y
L	H
H	L

■ Product Name Structure



■ Absolute Maximum Ratings

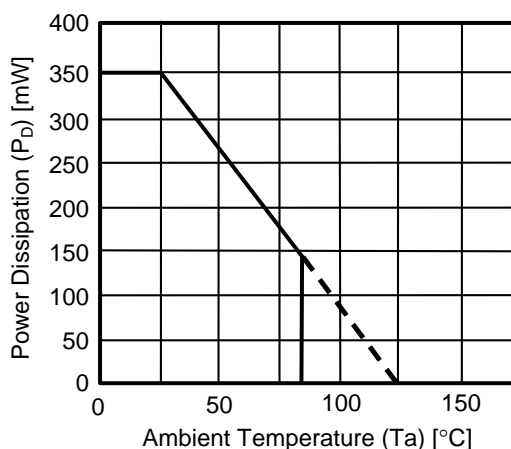
(Ta = 25°C unless otherwise specified)

Item	Symbol	Absolute Maximum Ratings	Unit
Power supply voltage	$V_{CC}$	-0.5 to +5.0	V
Input voltage	$V_{IN}$	-0.5 to +5.0	V
Output voltage	$V_{OUT}$	-0.5 to $V_{CC} + 0.5$	V
Input parasitic diode current	$I_{IK}$	-20	mA
Output parasitic diode current	$I_{OK}$	±20	mA
Output current	$I_{OUT}$	±12.5	mA
$V_{CC}/GND$ current	$I_{CC}$	±25	mA
Power dissipation	$P_D$	200 (When not mounted on board)	mW
		350 <sup>*1</sup>	mW
Operating ambient temperature	$T_{opr}$	-40 to +85	°C
Storage temperature	$T_{stg}$	-65 to +150	°C
Lead temperature (10 s)	$T_L$	260	°C

\*1. When mounted on board  
[Mounted board]

- (1) Board size : 114.3 mm × 76.2 mm × t1.6 mm
- (2) Board name : JEDEC STANDARD51-7

**Caution** The absolute maximum ratings are rated values exceeding which the product could suffer physical damage. These values must therefore not be exceeded under any conditions.



Power Dissipation of Package (When Mounted on Board)

### ■ Recommended Operating Conditions

Item	Symbol	Standard	Unit
Power voltage	$V_{CC}$	1 to 3.6	V
Input voltage	$V_{IN}$	0 to 3.6	V
Output voltage	$V_{OUT}$	0 to $V_{CC}$	V
Input rise / fall time	$t_R, t_F$	0 to 1000 ( $V_{CC} = 1.0$ V)	ns
		0 to 500 ( $V_{CC} = 2.0$ V)	ns
		0 to 400 ( $V_{CC} = 3.0$ V)	ns

### ■ DC Electrical Characteristics

Item	Symbol	Conditions	$T_a = 25^\circ\text{C}$			$T_a = -40$ to $85^\circ\text{C}$		Unit			
			$V_{CC}$	Min.	Typ.	Max.	Min.		Max.		
Input voltage	"H" level	$V_{IH}$	—	1.0	0.75	—	—	0.75	—	V	
				1.5	1.05	—	—	1.05	—	V	
				3.0	2.10	—	—	2.10	—	V	
	"L" level	$V_{IL}$	—	1.0	—	—	0.25	—	0.25	V	
				1.5	—	—	0.45	—	0.45	V	
				3.0	—	—	0.90	—	0.90	V	
Output voltage	"H" level	$V_{OH}$	$V_{IN} = V_{IL}$	$I_{OH} = -20 \mu\text{A}$	1.0	0.9	1.0	—	0.9	—	V
					1.5	1.4	1.5	—	1.4	—	V
					3.0	2.9	3.0	—	2.9	—	V
				$I_{OH} = -1 \text{ mA}$	1.5	1.07	1.23	—	0.99	—	V
					3.0	2.61	2.68	—	2.55	—	V
								—	—	—	V
	"L" level	$V_{OL}$	$V_{IN} = V_{IH}$	$I_{OL} = 20 \mu\text{A}$	1.0	—	0	0.1	—	0.1	V
					1.5	—	0	0.1	—	0.1	V
					3.0	—	0	0.1	—	0.1	V
				$I_{OL} = 1 \text{ mA}$	1.5	—	0.23	0.31	—	0.37	V
					3.0	—	0.23	0.31	—	0.33	V
									—	—	—
Input current	$I_{IN}$	$V_{IN} = V_{CC}$ or GND	3.6	—	—	$\pm 0.1$	—	$\pm 1.0$	$\mu\text{A}$		
Current consumption	$I_{CC}$	$V_{IN} = V_{CC}$ or GND	3.6	—	—	1.0	—	10.0	$\mu\text{A}$		

**■ AC Electrical Characteristics**

( $C_L = 15$  pf, Input  $t_R = t_F = 6$  ns,  $V_{CC} = 3.3 \pm 0.3$  V,  $T_a = 25^\circ\text{C}$  unless otherwise specified)

Item	Symbol	Measurement Conditions	Min.	Typ.	Max.	Unit
Output rise / fall time	$t_{TLH}$ , $t_{THL}$	—	—	4.0	8.0	ns
Propagation delay time	$t_{PLH}$ , $t_{PHL}$	—	—	6.0	9.0	ns

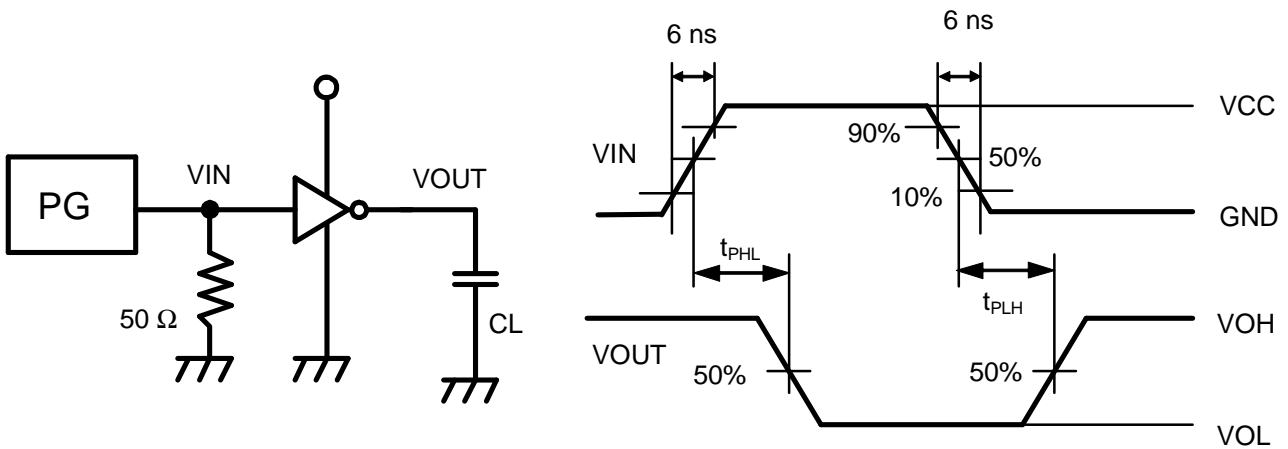
( $C_L = 25$  pf, Input  $t_R = t_F = 6$  ns unless otherwise specified)

Item	Symbol	Measurement Conditions	$T_a = 25^\circ\text{C}$			$T_a = -40$ to $85^\circ\text{C}$		Unit	
			$V_{CC}$ (V)	Min.	Typ.	Max.	Min.		Max.
Output rise / fall time	$t_{TLH}$ , $t_{THL}$	—	1.0	—	35	70	—	90	ns
			1.5	—	15	25	—	30	ns
			3.0	—	7	10	—	14	ns
Propagation delay time	$t_{PLH}$ , $t_{PHL}$	—	1.0	—	30	60	—	75	ns
			1.5	—	15	25	—	30	ns
			3.0	—	7	10	—	14	ns
Input capacitance	$C_{IN}$	—	—	5	10	—	10	pF	
Equivalent internal capacitance	$C_{PD}^{*1}$	—	—	10	—	—	—	pF	

\*1.  $C_{PD}$  is the no-load equivalent capacitance inside the circuitry. Refer to the measurement circuit shown below.  
 Current consumption is averaged by the following equation.

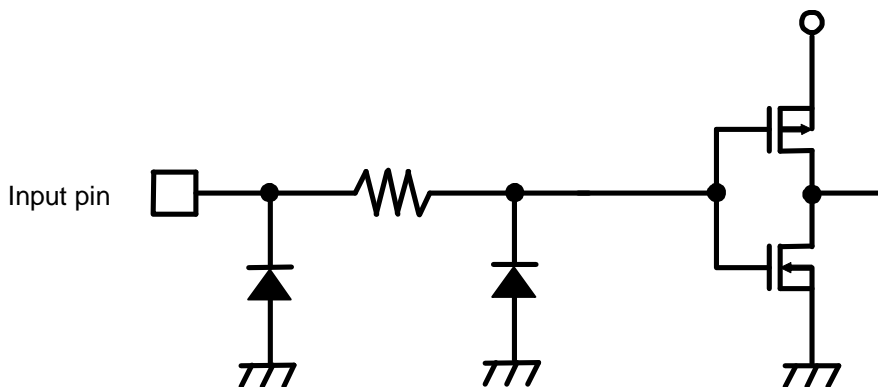
$$I_{CC(opr)} = C_{PD} \times V_{CC} \times fin + I_{CC}$$

**Measurement Circuit**



**Remark** No-load output during measurement of current consumption.

**■ Input Pin Equivalent Circuit**



The S-75LU04ANC is a single packaged inverter without buffer fabricated by utilizing advanced silicon-gate CMOS technology which provides the inherent benefit of CMOS low power consumption to achieve operation by only a couple of batteries (1 to 3 V).

The S-75LU04ANC is suitable for a wide variety of linear circuits.

Input voltage is allowed to be applied even if power voltage is not supplied because no diode is inserted between an input pin and  $V_{CC}$ .

This allows for interfaces between power supplies of different voltage, output level conversion from 3 V to 1 V and battery backup applications.

### ■ Features

- Wide power supply range: 1 V to 3.6 V
- Low current consumption: 1.0  $\mu$ A max. (at 3.6 V, 25°C)
- Typical propagation delay:  $t_{PD} = 6$  ns (at 3 V)
- High noise immunity:  $V_{NIH} = V_{NIL} = 10\% V_{CC}$  min.
- Power down protection: All pins
- Lead-free

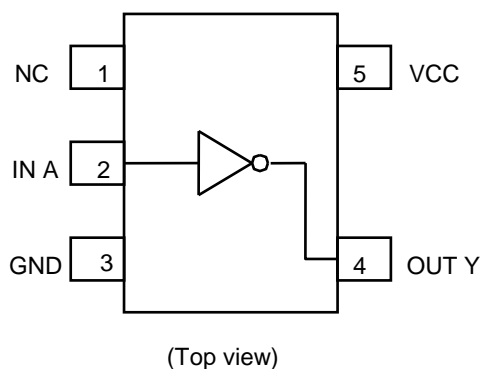
### ■ Applications

- Personal computers, peripherals
- Cellular phones
- Cameras
- Games

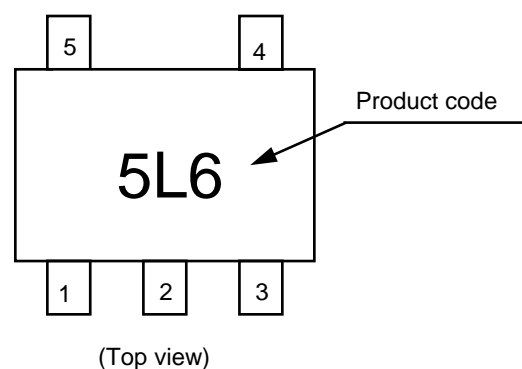
### ■ Package

- SC-88A

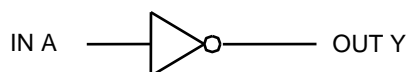
### ■ Pin Configuration



### ■ Marking Specification



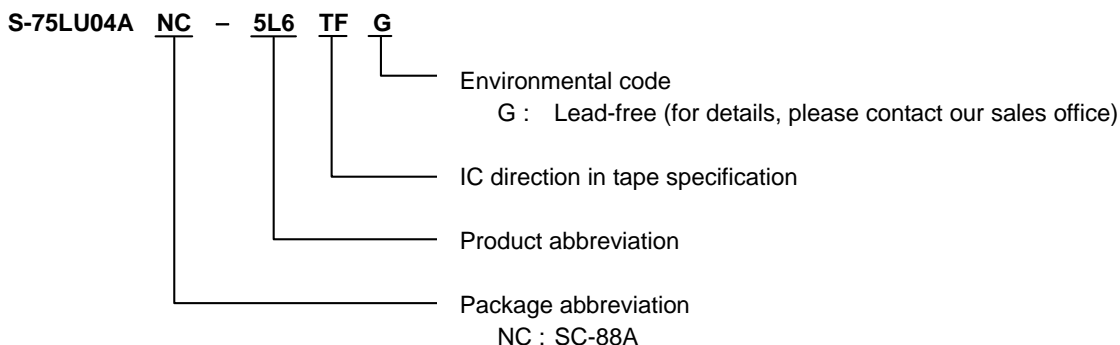
### ■ Logic Diagram



True values

A	Y
L	H
H	L

■ Product Name Structure



■ Absolute Maximum Ratings

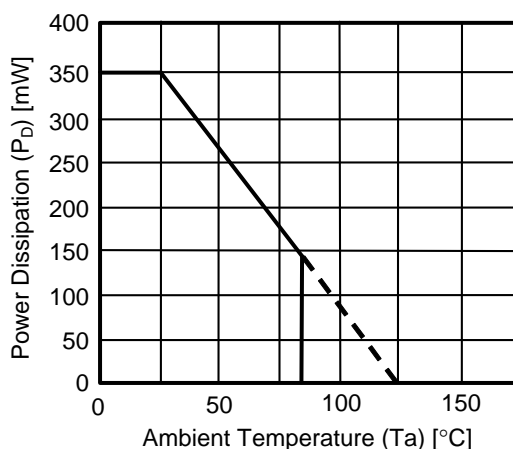
(Ta = 25°C unless otherwise specified)

Item	Symbol	Absolute Maximum Ratings	Unit
Power supply voltage	$V_{CC}$	-0.5 to +5.0	V
Input voltage	$V_{IN}$	-0.5 to +5.0	V
Output voltage	$V_{OUT}$	-0.5 to $V_{CC} + 0.5$	V
Input parasitic diode current	$I_{IK}$	-20	mA
Output parasitic diode current	$I_{OK}$	±20	mA
Output current	$I_{OUT}$	±12.5	mA
$V_{CC}/GND$ current	$I_{CC}$	±25	mA
Power dissipation	$P_D$	200 (When not mounted on board)	mW
		350*1	mW
Operating ambient temperature	$T_{opr}$	-40 to +85	°C
Storage temperature	$T_{stg}$	-65 to +150	°C
Lead temperature (10 s)	$T_L$	260	°C

\*1. When mounted on board  
[Mounted board]

- (1) Board size : 114.3 mm × 76.2 mm × t1.6 mm
- (2) Board name : JEDEC STANDARD51-7

**Caution** The absolute maximum ratings are rated values exceeding which the product could suffer physical damage. These values must therefore not be exceeded under any conditions.



Power Dissipation of Package (When Mounted on Board)

**■ Recommended Operating Conditions**

Item	Symbol	Standard	Unit
Power voltage	$V_{CC}$	1 to 3.6	V
Input voltage	$V_{IN}$	0 to 3.6	V
Output voltage	$V_{OUT}$	0 to $V_{CC}$	V
Input rise / fall time	$t_R, t_F$	0 to 1000 ( $V_{CC} = 1.0$ V)	ns
		0 to 500 ( $V_{CC} = 2.0$ V)	ns
		0 to 400 ( $V_{CC} = 3.0$ V)	ns

**■ DC Electrical Characteristics**

Item	Symbol	Conditions	$T_a = 25^\circ\text{C}$			$T_a = -40$ to $85^\circ\text{C}$		Unit			
			$V_{CC}$	Min.	Typ.	Max.	Min.		Max.		
Input voltage	"H" level	$V_{IH}$	—	1.0	0.75	—	—	0.75	—	V	
				1.5	1.05	—	—	1.05	—	V	
				3.0	2.10	—	—	2.10	—	V	
	"L" level	$V_{IL}$	—	1.0	—	—	0.25	—	0.25	V	
				1.5	—	—	0.45	—	0.45	V	
				3.0	—	—	0.90	—	0.90	V	
Output voltage	"H" level	$V_{OH}$	$V_{IN} = V_{IL}$	$I_{OH} = -20 \mu\text{A}$	1.0	0.9	1.0	—	0.9	—	V
					1.5	1.4	1.5	—	1.4	—	V
					3.0	2.9	3.0	—	2.9	—	V
				$I_{OH} = -1 \text{ mA}$	1.5	1.07	1.23	—	0.99	—	V
					3.0	2.61	2.68	—	2.55	—	V
					$I_{OH} = -2.6 \text{ mA}$	3.0	2.61	2.68	—	2.55	—
	"L" level	$V_{OL}$	$V_{IN} = V_{IH}$	$I_{OL} = 20 \mu\text{A}$	1.0	—	0	0.1	—	0.1	V
					1.5	—	0	0.1	—	0.1	V
					3.0	—	0	0.1	—	0.1	V
				$I_{OL} = 1 \text{ mA}$	1.5	—	0.23	0.31	—	0.37	V
					3.0	—	0.23	0.31	—	0.33	V
					$I_{OL} = 2.6 \text{ mA}$	3.0	—	0.23	0.31	—	0.33
Input current	$I_{IN}$	$V_{IN} = V_{CC}$ or GND	3.6	—	—	$\pm 0.1$	—	$\pm 1.0$	$\mu\text{A}$		
Current consumption	$I_{CC}$	$V_{IN} = V_{CC}$ or GND	3.6	—	—	1.0	—	10.0	$\mu\text{A}$		

**■ AC Electrical Characteristics**

( $C_L = 15$  pf, Input  $t_R = t_F = 6$  ns,  $V_{CC} = 3.3 \pm 0.3$  V,  $T_a = 25^\circ\text{C}$  unless otherwise specified)

Item	Symbol	Measurement Conditions	Min.	Typ.	Max.	Unit
Output rise / fall time	$t_{TLH}$ , $t_{THL}$	—	—	6.0	9.0	ns
Propagation delay time	$t_{PLH}$ , $t_{PHL}$	—	—	4.0	10.0	ns

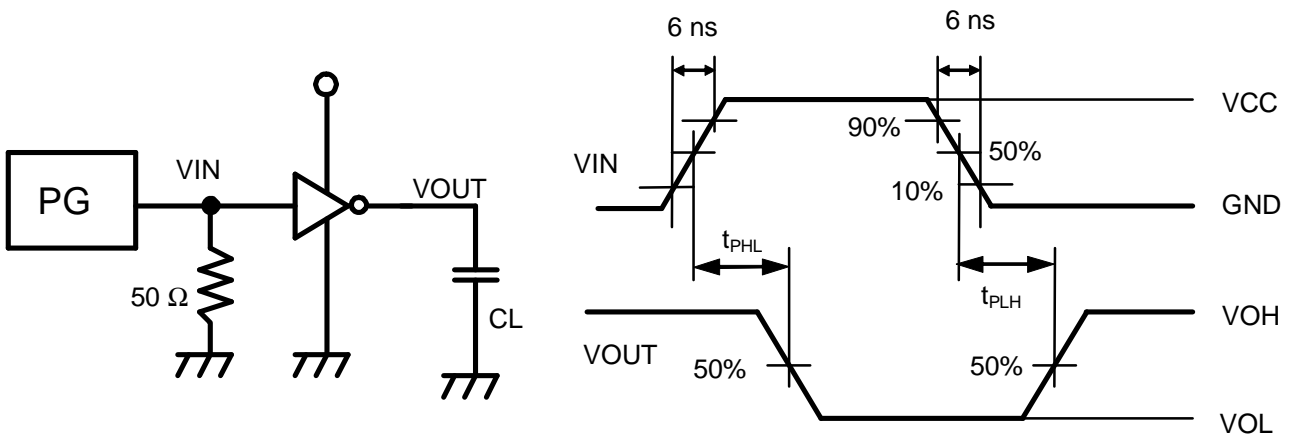
( $C_L = 25$  pf, Input  $t_R = t_F = 6$  ns unless otherwise specified)

Item	Symbol	Measurement Conditions	$T_a = 25^\circ\text{C}$			$T_a = -40$ to $85^\circ\text{C}$		Unit	
			$V_{CC}$ (V)	Min.	Typ.	Max.	Min.		Max.
Output rise / fall time	$t_{TLH}$ , $t_{THL}$	—	1.0	—	35	70	—	90	ns
			1.5	—	15	25	—	30	ns
			3.0	—	7	10	—	14	ns
Propagation delay time	$t_{PLH}$ , $t_{PHL}$	—	1.0	—	20	40	—	50	ns
			1.5	—	10	15	—	20	ns
			3.0	—	6	9	—	12	ns
Input capacitance	$C_{IN}$	—	—	5	10	—	10	pF	
Equivalent internal capacitance	$C_{PD}^{*1}$	—	—	10	—	—	—	pF	

\*1.  $C_{PD}$  is the no-load equivalent capacitance inside the circuitry. Refer to the measurement circuit shown below. Current consumption is averaged by the following equation.

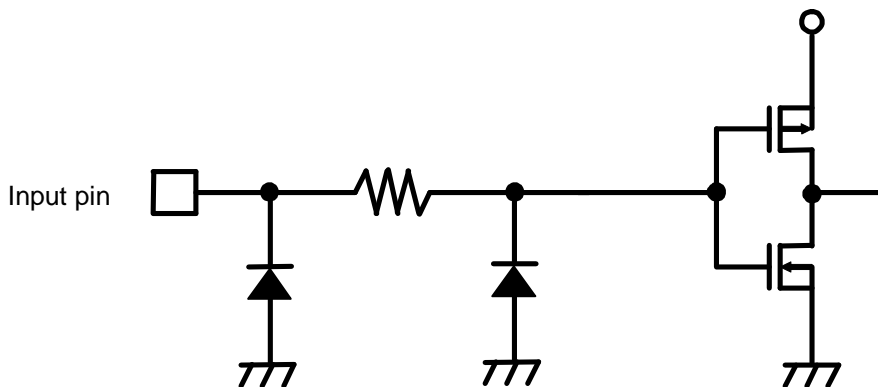
$$I_{CC(opr)} = C_{PD} \times V_{CC} \times fin + I_{CC}$$

**Measurement Circuit**



**Remark** No-load output during measurement of current consumption.

**■ Input Pin Equivalent Circuit**





The S-75L08ANC is a single 2-Input AND Gate fabricated by utilizing advanced silicon-gate CMOS technology which provides the inherent benefit of CMOS low power consumption to achieve operation by only a couple of batteries (1 to 3 V). The internal circuitry has buffered outputs to ensure high noise immunity and output stability.

Input voltage is allowed to be applied even if power voltage is not supplied because no diode is inserted between an input pin and  $V_{CC}$ .

This allows for interfaces between power supplies of different voltage, output level conversion from 3 V to 1 V and battery backup applications.

### ■ Features

- Wide power supply range: 1 V to 3.6 V
- Low current consumption: 1.0  $\mu$ A max. (at 3.6 V, 25°C)
- Typical propagation delay:  $t_{PD} = 7$  ns (at 3 V)
- High noise immunity:  $V_{NIH} = V_{NIL} = 28\% V_{CC}$  min.
- Power down protection: All pins
- Lead-free

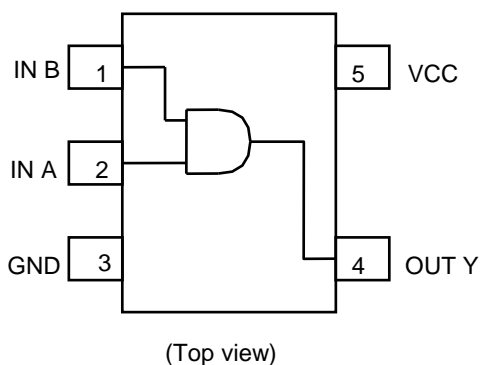
### ■ Applications

- Personal computers, peripherals
- Cellular phones
- Cameras
- Games

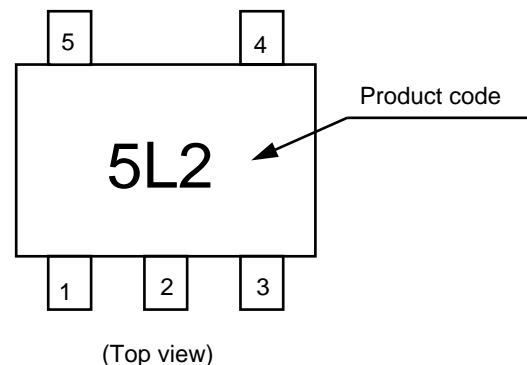
### ■ Package

- SC-88A

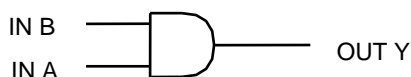
### ■ Pin Configuration



### ■ Marking Specification



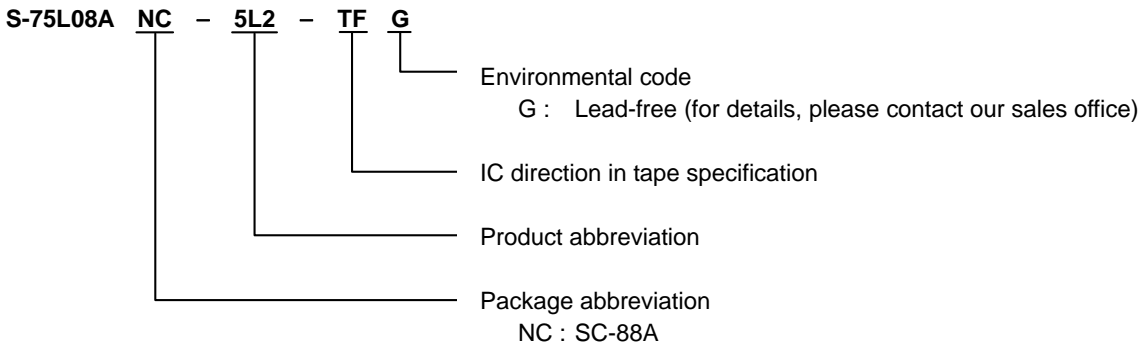
### ■ Logic Diagram



True values

A	B	Y
L	L	L
L	H	L
H	L	L
H	H	H

■ Product Name Structure



■ Absolute Maximum Ratings

(Ta = 25°C unless otherwise specified)

Item	Symbol	Absolute Maximum Ratings	Unit
Power supply voltage	$V_{CC}$	-0.5 to +5.0	V
Input voltage	$V_{IN}$	-0.5 to +5.0	V
Output voltage	$V_{OUT}$	-0.5 to $V_{CC} + 0.5$	V
Input parasitic diode current	$I_{IK}$	-20	mA
Output parasitic diode current	$I_{OK}$	±20	mA
Output current	$I_{OUT}$	±12.5	mA
$V_{CC}/GND$ current	$I_{CC}$	±25	mA
Power dissipation	$P_D$	200 (When not mounted on board)	mW
		350*1	mW
Operating ambient temperature	$T_{opr}$	-40 to +85	°C
Storage temperature	$T_{stg}$	-65 to +150	°C
Lead temperature (10 s)	$T_L$	260	°C

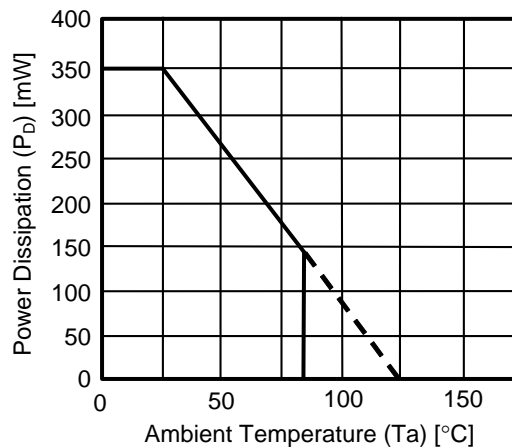
\*1. When mounted on board

[Mounted board]

(1) Board size : 114.3 mm × 76.2 mm × t1.6 mm

(2) Board name : JEDEC STANDARD51-7

**Caution** The absolute maximum ratings are rated values exceeding which the product could suffer physical damage. These values must therefore not be exceeded under any conditions.



Power Dissipation of Package (When Mounted on Board)



**■ AC Electrical Characteristics**

( $C_L = 15$  pf, Input  $t_R = t_F = 6$  ns,  $V_{CC} = 3.3 \pm 0.3$  V,  $T_a = 25^\circ\text{C}$  unless otherwise specified)

Item	Symbol	Measurement Conditions	Min.	Typ.	Max.	Unit
Output rise / fall time	$t_{TLH}$ , $t_{THL}$	—	—	4.0	8.0	ns
Propagation delay time	$t_{PLH}$ , $t_{PHL}$	—	—	6.0	9.0	ns

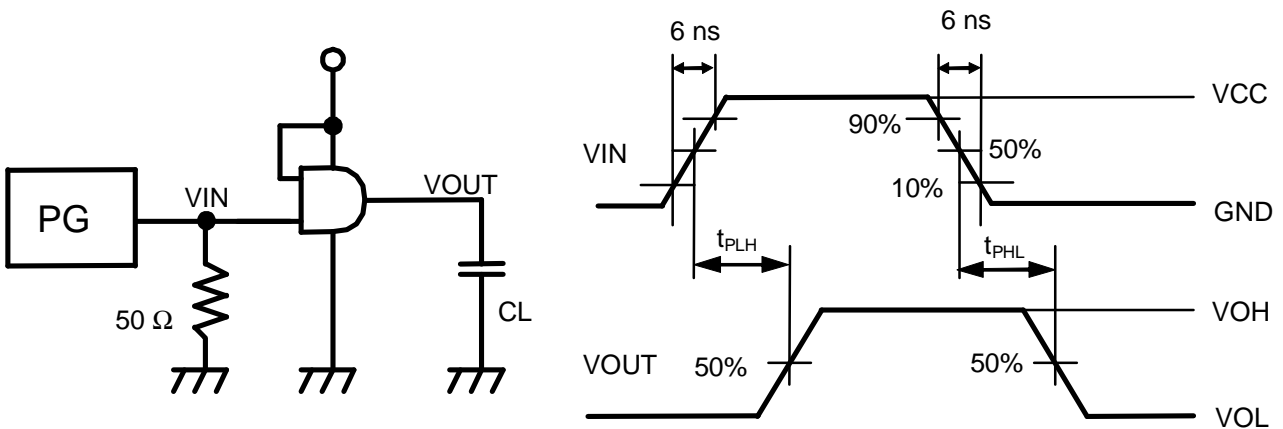
( $C_L = 25$  pf, Input  $t_R = t_F = 6$  ns unless otherwise specified)

Item	Symbol	Measurement Conditions	$T_a = 25^\circ\text{C}$			$T_a = -40$ to $85^\circ\text{C}$		Unit	
			$V_{CC}$ (V)	Min.	Typ.	Max.	Min.		Max.
Output rise / fall time	$t_{TLH}$ , $t_{THL}$	—	1.0	—	35	70	—	90	ns
			1.5	—	15	25	—	30	ns
			3.0	—	7	10	—	14	ns
Propagation delay time	$t_{PLH}$ , $t_{PHL}$	—	1.0	—	30	60	—	75	ns
			1.5	—	15	25	—	30	ns
			3.0	—	7	10	—	14	ns
Input capacitance	$C_{IN}$	—	—	5	10	—	10	pF	
Equivalent internal capacitance	$C_{PD}^{*1}$	—	—	10	—	—	—	pF	

\*1.  $C_{PD}$  is the no-load equivalent capacitance inside the circuitry. Refer to the measurement circuit shown below. Current consumption is averaged by the following equation.

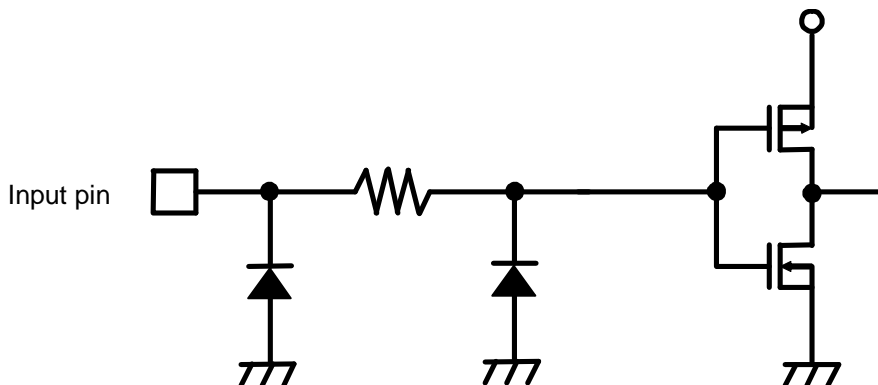
$$I_{CC(opr)} = C_{PD} \times V_{CC} \times fin + I_{CC}$$

**Measurement Circuit**



**Remark** No-load output during measurement of current consumption.

**■ Input Pin Equivalent Circuit**



The S-75L14ANC is a SCHMITT INVERTER fabricated by utilizing advanced silicon-gate CMOS technology which provides the inherent benefit of CMOS low power consumption to achieve operation by only a couple of batteries (1 to 3 V).

The internal circuitry has buffered outputs to ensure high noise immunity and output stability.

Input voltage is allowed to be applied even if power voltage is not supplied because no diode is inserted between an input pin and  $V_{CC}$ .

This allows for interfaces between power supplies of different voltage, output level conversion from 3 V to 1 V and battery backup applications.

### ■ Features

- Wide power supply range: 1 V to 3.6 V
- Low current consumption: 1.0  $\mu$ A max. (at 3.6 V, 25°C)
- Typical propagation delay:  $t_{PD} = 8$  ns (at 3 V)
- High noise immunity:  $V_{NIH} = V_{NIL} = 28\% V_{CC}$  min.
- Power down protection: All pins
- Lead-free

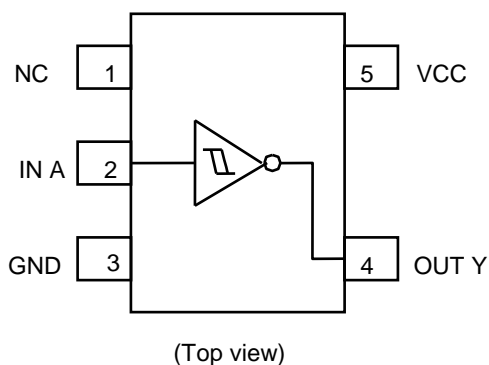
### ■ Applications

- Personal computers, peripherals
- Cellular phones
- Cameras
- Games

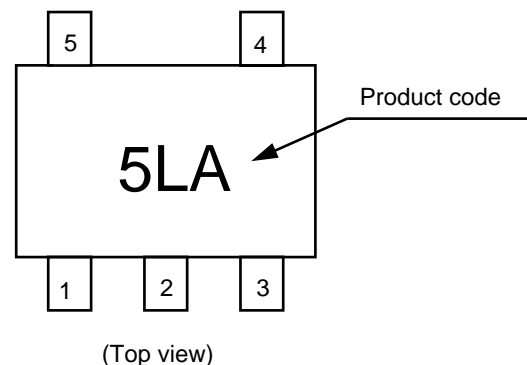
### ■ Package

- SC-88A

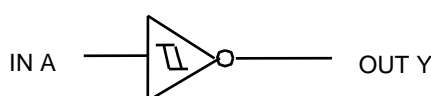
### ■ Pin Configuration



### ■ Marking Specification



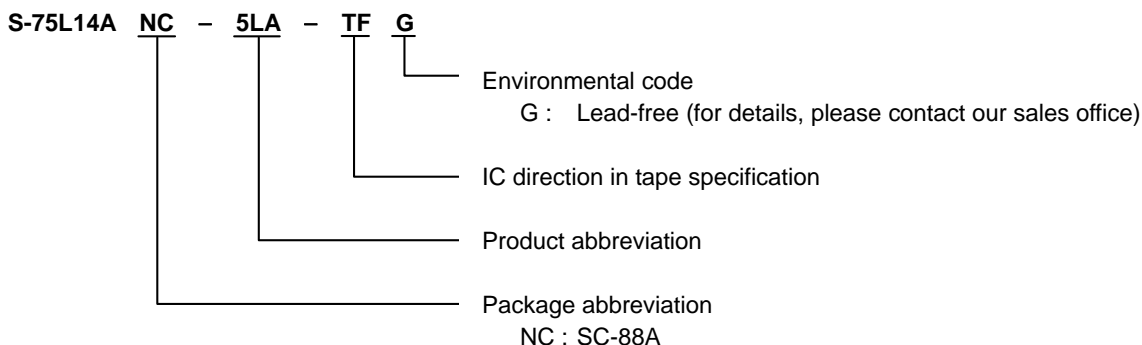
### ■ Logic Diagram



True values

A	Y
L	H
H	L

■ Product Name Structure



■ Absolute Maximum Ratings

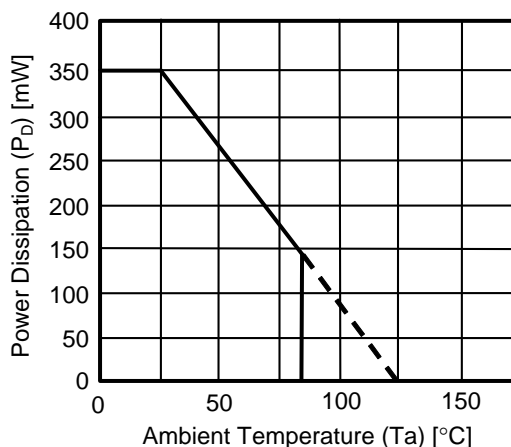
(Ta = 25°C unless otherwise specified)

Item	Symbol	Absolute Maximum Ratings	Unit
Power supply voltage	$V_{CC}$	-0.5 to +5.0	V
Input voltage	$V_{IN}$	-0.5 to +5.0	V
Output voltage	$V_{OUT}$	-0.5 to $V_{CC} + 0.5$	V
Input parasitic diode current	$I_{IK}$	-20	mA
Output parasitic diode current	$I_{OK}$	±20	mA
Output current	$I_{OUT}$	±12.5	mA
$V_{CC}/GND$ current	$I_{CC}$	±25	mA
Power dissipation	$P_D$	200 (When not mounted on board)	mW
		350*1	mW
Operating ambient temperature	$T_{opr}$	-40 to +85	°C
Storage temperature	$T_{stg}$	-65 to +150	°C
Lead temperature (10 s)	$T_L$	260	°C

\*1. When mounted on board  
[Mounted board]

- (1) Board size : 114.3 mm × 76.2 mm × t1.6 mm
- (2) Board name : JEDEC STANDARD51-7

**Caution** The absolute maximum ratings are rated values exceeding which the product could suffer physical damage. These values must therefore not be exceeded under any conditions.



Power Dissipation of Package (When Mounted on Board)

**■ Recommended Operating Conditions**

Item	Symbol	Standard	Unit
Power voltage	$V_{CC}$	1 to 3.6	V
Input voltage	$V_{IN}$	0 to 3.6	V
Output voltage	$V_{OUT}$	0 to $V_{CC}$	V
Input rise / fall time	$t_R, t_F$	0 to 1000 ( $V_{CC} = 1.0$ V)	ns
		0 to 500 ( $V_{CC} = 2.0$ V)	ns
		0 to 400 ( $V_{CC} = 3.0$ V)	ns

**■ DC Electrical Characteristics**

Item	Symbol	Conditions	$T_a = 25^\circ\text{C}$			$T_a = -40$ to $85^\circ\text{C}$		Unit			
			$V_{CC}$	Min.	Typ.	Max.	Min.		Max.		
Input voltage	"H" level	$V_{IH}$	—	1.0	0.80	—	—	0.80	—	V	
				1.5	1.20	—	—	1.20	—	V	
				3.0	2.10	—	—	2.10	—	V	
	"L" level	$V_{IL}$	—	1.0	—	—	0.20	—	0.20	V	
				1.5	—	—	0.45	—	0.45	V	
				3.0	—	—	0.90	—	0.90	V	
Output voltage	"H" level	$V_{OH}$	$V_{IN} = V_{IL}$	$I_{OH} = -20 \mu\text{A}$	1.0	0.9	1.0	—	0.9	—	V
					1.5	1.4	1.5	—	1.4	—	V
					3.0	2.9	3.0	—	2.9	—	V
				$I_{OH} = -1 \text{ mA}$	1.5	1.07	1.23	—	0.99	—	V
					3.0	2.61	2.68	—	2.55	—	V
	1.5	—	0	0.1	—	0.1	V				
	3.0	—	0	0.1	—	0.1	V				
	$I_{OL} = 1 \text{ mA}$	1.5	—	0.23	0.31	—	0.37	V			
		3.0	—	0.23	0.31	—	0.33	V			
									Hysteresis Voltage	$V_H$	—
	1.5	0.25	—	0.50	—	—	V				
3.0	0.45	—	0.65	—	—	V					
Input current	$I_{IN}$	$V_{IN} = V_{CC}$ or GND	3.6	—	—	$\pm 0.1$	—	$\pm 1.0$	$\mu\text{A}$		
Current consumption	$I_{CC}$	$V_{IN} = V_{CC}$ or GND	3.6	—	—	1.0	—	10.0	$\mu\text{A}$		

**■ AC Electrical Characteristics**

( $C_L = 15$  pf, Input  $t_R = t_F = 6$  ns,  $V_{CC} = 3.3 \pm 0.3$  V,  $T_a = 25^\circ\text{C}$  unless otherwise specified)

Item	Symbol	Measurement Conditions	Min.	Typ.	Max.	Unit
Output rise / fall time	$t_{TLH}$ , $t_{THL}$	—	—	4.0	8.0	ns
Propagation delay time	$t_{PLH}$ , $t_{PHL}$	—	—	4.0	10.5	ns

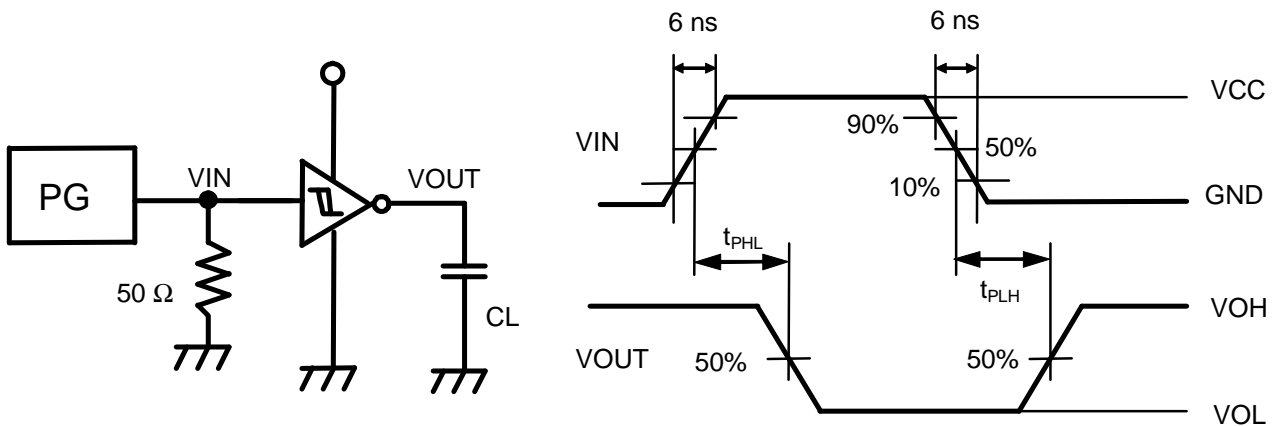
( $C_L = 25$  pf, Input  $t_R = t_F = 6$  ns unless otherwise specified)

Item	Symbol	Measurement Conditions	$T_a = 25^\circ\text{C}$			$T_a = -40$ to $85^\circ\text{C}$		Unit	
			$V_{CC}$ (V)	Min.	Typ.	Max.	Min.		Max.
Output rise / fall time	$t_{TLH}$ , $t_{THL}$	—	1.0	—	35	70	—	90	ns
			1.5	—	15	25	—	30	ns
			3.0	—	7	10	—	14	ns
Propagation delay time	$t_{PLH}$ , $t_{PHL}$	—	1.0	—	35	70	—	90	ns
			1.5	—	15	25	—	30	ns
			3.0	—	8	12	—	15	ns
Input capacitance	$C_{IN}$	—	—	5	10	—	10	pF	
Equivalent internal capacitance	$C_{PD}^{*1}$	—	—	10	—	—	—	pF	

\*1.  $C_{PD}$  is the no-load equivalent capacitance inside the circuitry. Refer to the measurement circuit shown below. Current consumption is averaged by the following equation.

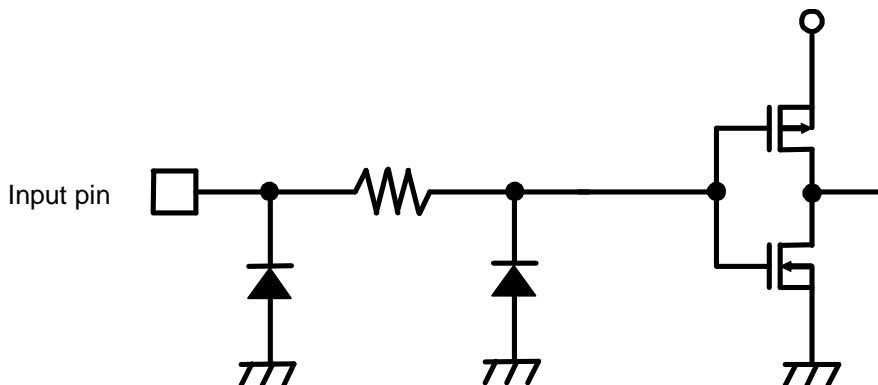
$$I_{CC(opr)} = C_{PD} \times V_{CC} \times fin + I_{CC}$$

**Measurement Circuit**



**Remark** No-load output during measurement of current consumption.

**■ Input Pin Equivalent Circuit**





The S-75L32ANC is a single 2-input OR gate fabricated by utilizing advanced silicon-gate CMOS technology which provides the inherent benefit of CMOS low power consumption to achieve operation by only a couple of batteries (1 to 3 V).

The internal circuitry has buffered outputs to ensure high noise immunity and output stability.

Input voltage is allowed to be applied even if power voltage is not supplied because no diode is inserted between an input pin and  $V_{CC}$ .

This allows for interfaces between power supplies of different voltage, output level conversion from 3 V to 1 V and battery backup applications.

### ■ Features

- Wide power supply range: 1 V to 3.6 V
- Low current consumption: 1.0  $\mu$ A max. (at 3.6 V, 25°C)
- Typical propagation delay:  $t_{PD} = 7$  ns (at 3 V)
- High noise immunity:  $V_{NIH} = V_{NIL} = 28\% V_{CC}$  min.
- Power down protection: All pins
- Lead-free

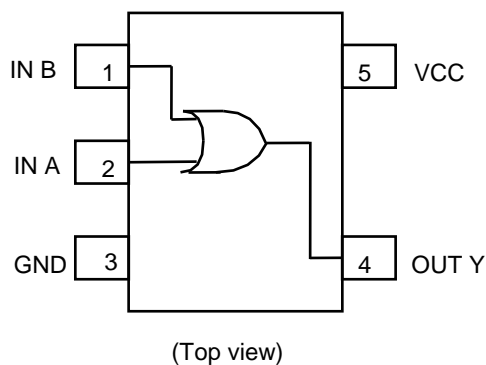
### ■ Applications

- Personal computers, peripherals
- Cellular phones
- Cameras
- Games

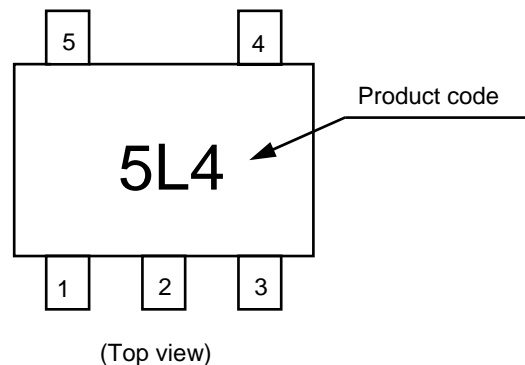
### ■ Package

- SC-88A

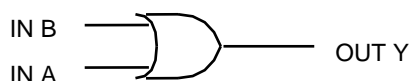
### ■ Pin Configuration



### ■ Marking Specification



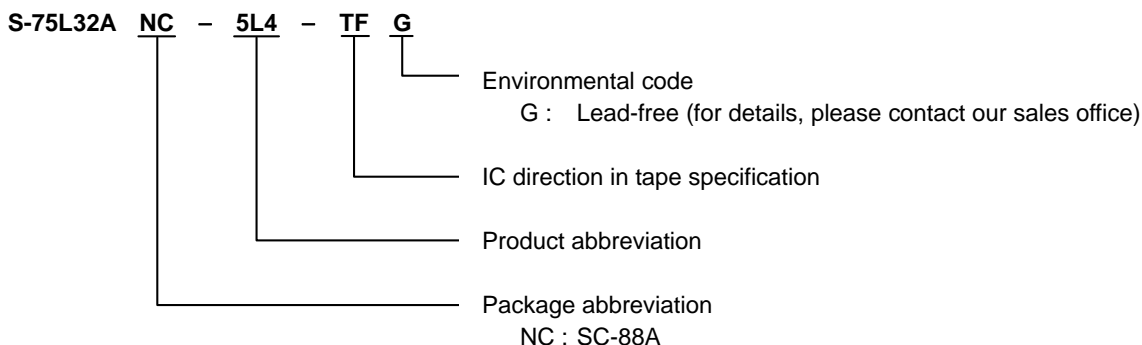
### ■ Logic Diagram



True values

A	B	Y
L	L	L
L	H	H
H	L	H
H	H	H

■ Product Name Structure



■ Absolute Maximum Ratings

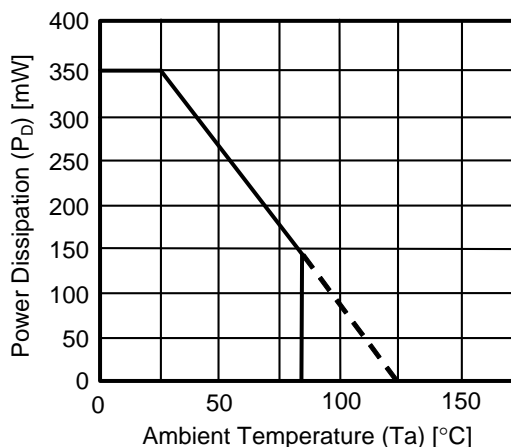
(Ta = 25°C unless otherwise specified)

Item	Symbol	Absolute Maximum Ratings	Unit
Power supply voltage	$V_{CC}$	-0.5 to +5.0	V
Input voltage	$V_{IN}$	-0.5 to +5.0	V
Output voltage	$V_{OUT}$	-0.5 to $V_{CC} + 0.5$	V
Input parasitic diode current	$I_{IK}$	-20	mA
Output parasitic diode current	$I_{OK}$	±20	mA
Output current	$I_{OUT}$	±12.5	mA
$V_{CC}/GND$ current	$I_{CC}$	±25	mA
Power dissipation	$P_D$	200 (When not mounted on board)	mW
		350*1	mW
Operating ambient temperature	$T_{opr}$	-40 to +85	°C
Storage temperature	$T_{stg}$	-65 to +150	°C
Lead temperature (10 s)	$T_L$	260	°C

\*1. When mounted on board  
[Mounted board]

- (1) Board size : 114.3 mm × 76.2 mm × t1.6 mm
- (2) Board name : JEDEC STANDARD51-7

**Caution** The absolute maximum ratings are rated values exceeding which the product could suffer physical damage. These values must therefore not be exceeded under any conditions.



Power Dissipation of Package (When Mounted on Board)

### ■ Recommended Operating Conditions

Item	Symbol	Standard	Unit
Power voltage	$V_{CC}$	1 to 3.6	V
Input voltage	$V_{IN}$	0 to 3.6	V
Output voltage	$V_{OUT}$	0 to $V_{CC}$	V
Input rise / fall time	$t_R, t_F$	0 to 1000 ( $V_{CC} = 1.0$ V)	ns
		0 to 500 ( $V_{CC} = 2.0$ V)	ns
		0 to 400 ( $V_{CC} = 3.0$ V)	ns

### ■ DC Electrical Characteristics

Item	Symbol	Conditions	$T_a = 25^\circ\text{C}$			$T_a = -40$ to $85^\circ\text{C}$		Unit			
			$V_{CC}$	Min.	Typ.	Max.	Min.		Max.		
Input voltage	"H" level	$V_{IH}$	—	1.0	0.75	—	—	0.75	—	V	
				1.5	1.05	—	—	1.05	—	V	
				3.0	2.10	—	—	2.10	—	V	
	"L" level	$V_{IL}$	—	1.0	—	—	0.25	—	0.25	V	
				1.5	—	—	0.45	—	0.45	V	
				3.0	—	—	0.90	—	0.90	V	
Output voltage	"H" level	$V_{OH}$	$V_{IN} = V_{IH}$ or $V_{IL}$	$I_{OH} = -20 \mu\text{A}$	1.0	0.9	1.0	—	0.9	—	V
					1.5	1.4	1.5	—	1.4	—	V
					3.0	2.9	3.0	—	2.9	—	V
				$I_{OH} = -1 \text{ mA}$	1.5	1.07	1.23	—	0.99	—	V
					3.0	2.61	2.68	—	2.55	—	V
					$I_{OH} = -2.6 \text{ mA}$	3.0	2.61	2.68	—	2.55	—
	"L" level	$V_{OL}$	$V_{IN} = V_{IL}$	$I_{OL} = 20 \mu\text{A}$	1.0	—	0	0.1	—	0.1	V
					1.5	—	0	0.1	—	0.1	V
					3.0	—	0	0.1	—	0.1	V
					$I_{OL} = 1 \text{ mA}$	1.5	—	0.23	0.31	—	0.37
$I_{OL} = 2.6 \text{ mA}$	3.0	—	0.23	0.31	—	0.33	V				
Input current	$I_{IN}$	$V_{IN} = V_{CC}$ or GND	3.6	—	—	$\pm 0.1$	—	$\pm 1.0$	$\mu\text{A}$		
Current consumption	$I_{CC}$	$V_{IN} = V_{CC}$ or GND	3.6	—	—	1.0	—	10.0	$\mu\text{A}$		

**■ AC Electrical Characteristics**

( $C_L = 15$  pf, Input  $t_R = t_F = 6$  ns,  $V_{CC} = 3.3 \pm 0.3$  V,  $T_a = 25^\circ\text{C}$  unless otherwise specified)

Item	Symbol	Measurement Conditions	Min.	Typ.	Max.	Unit
Output rise / fall time	$t_{TLH}$ , $t_{THL}$	—	—	4.0	8.0	ns
Propagation delay time	$t_{PLH}$ , $t_{PHL}$	—	—	6.0	9.0	ns

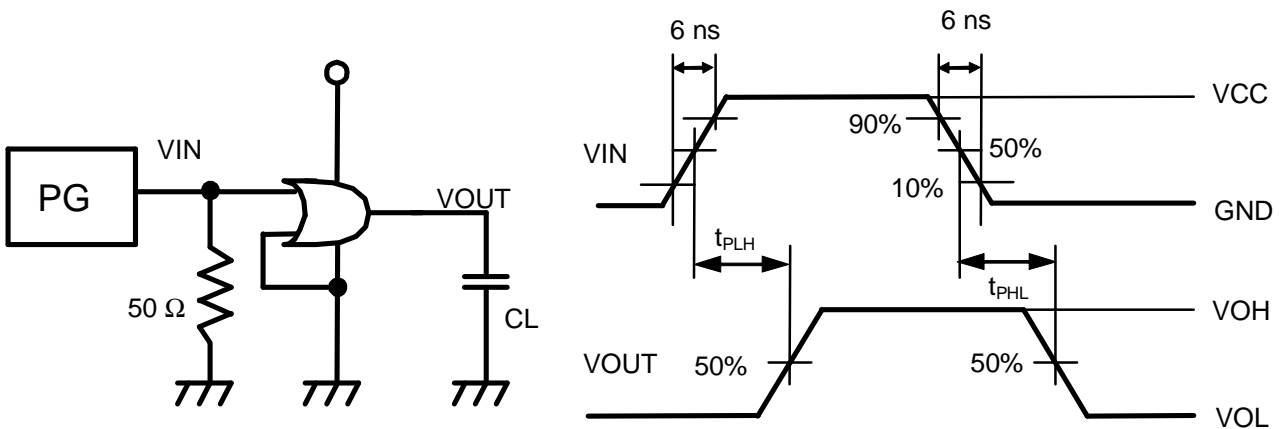
( $C_L = 25$  pf, Input  $t_R = t_F = 6$  ns unless otherwise specified)

Item	Symbol	Measurement Conditions	$T_a = 25^\circ\text{C}$			$T_a = -40$ to $85^\circ\text{C}$		Unit	
			$V_{CC}$ (V)	Min.	Typ.	Max.	Min.		Max.
Output rise / fall time	$t_{TLH}$ , $t_{THL}$	—	1.0	—	35	70	—	90	ns
			1.5	—	15	25	—	30	ns
			3.0	—	7	10	—	14	ns
Propagation delay time	$t_{PLH}$ , $t_{PHL}$	—	1.0	—	30	60	—	75	ns
			1.5	—	15	25	—	30	ns
			3.0	—	7	10	—	14	ns
Input capacitance	$C_{IN}$	—	—	5	10	—	10	pF	
Equivalent internal capacitance	$C_{PD}^{*1}$	—	—	10	—	—	—	pF	

\*1.  $C_{PD}$  is the no-load equivalent capacitance inside the circuitry. Refer to the measurement circuit shown below. Current consumption is averaged by the following equation.

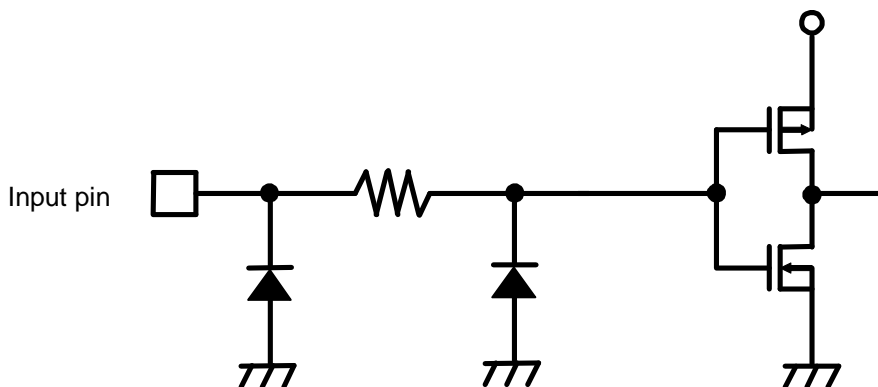
$$I_{CC(opr)} = C_{PD} \times V_{CC} \times fin + I_{CC}$$

**Measurement Circuit**



**Remark** No-load output during measurement of current consumption.

**■ Input Pin Equivalent Circuit**



The S-75L86ANC is an EXCLUSIVE OR GATE fabricated by utilizing advanced silicon-gate CMOS technology which provides the inherent benefit of CMOS low power consumption to achieve operation by only a couple of batteries (1 to 3 V). The internal circuitry has buffered outputs to ensure high noise immunity and output stability.

Input voltage is allowed to be applied even if power voltage is not supplied because no diode is inserted between an input pin and  $V_{CC}$ .

This allows for interfaces between power supplies of different voltage, output level conversion from 3 V to 1 V and battery backup applications.

### ■ Features

- Wide power supply range: 1 V to 3.6 V
- Low current consumption: 1.0  $\mu$ A max. (at 3.6 V, 25°C)
- Typical propagation delay:  $t_{PD} = 7$  ns (at 3 V)
- High noise immunity:  $V_{NIH} = V_{NIL} = 28\% V_{CC}$  min.
- Power down protection: All pins
- Lead-free

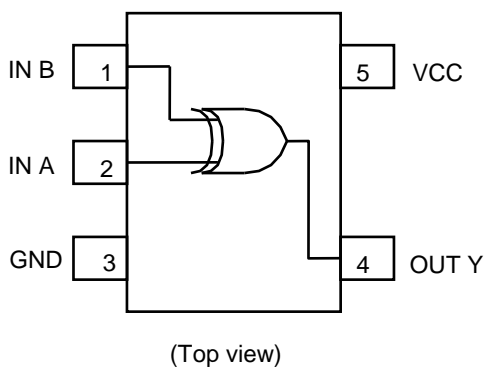
### ■ Applications

- Personal computers, peripherals
- Cellular phones
- Cameras
- Games

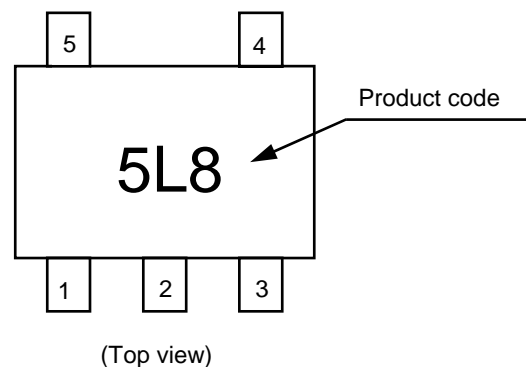
### ■ Package

- SC-88A

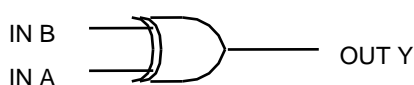
### ■ Pin Configuration



### ■ Marking Specification



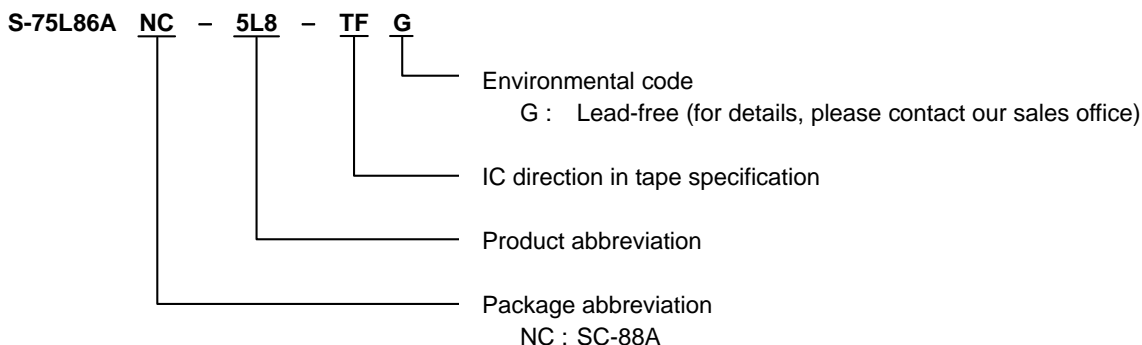
### ■ Logic Diagram



True values

A	B	Y
L	L	L
L	H	H
H	L	H
H	H	L

■ Product Name Structure



■ Absolute Maximum Ratings

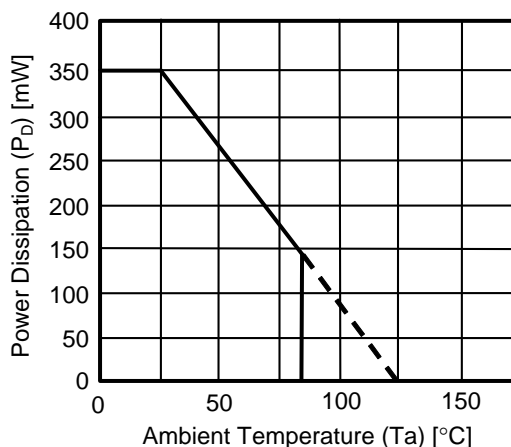
(Ta = 25°C unless otherwise specified)

Item	Symbol	Absolute Maximum Ratings	Unit
Power supply voltage	$V_{CC}$	-0.5 to +5.0	V
Input voltage	$V_{IN}$	-0.5 to +5.0	V
Output voltage	$V_{OUT}$	-0.5 to $V_{CC} + 0.5$	V
Input parasitic diode current	$I_{IK}$	-20	mA
Output parasitic diode current	$I_{OK}$	±20	mA
Output current	$I_{OUT}$	±12.5	mA
$V_{CC}/GND$ current	$I_{CC}$	±25	mA
Power dissipation	$P_D$	200 (When not mounted on board)	mW
		350*1	mW
Operating ambient temperature	$T_{opr}$	-40 to +85	°C
Storage temperature	$T_{stg}$	-65 to +150	°C
Lead temperature (10 s)	$T_L$	260	°C

\*1. When mounted on board  
[Mounted board]

- (1) Board size : 114.3 mm × 76.2 mm × t1.6 mm
- (2) Board name : JEDEC STANDARD51-7

**Caution** The absolute maximum ratings are rated values exceeding which the product could suffer physical damage. These values must therefore not be exceeded under any conditions.



Power Dissipation of Package (When Mounted on Board)

### ■ Recommended Operating Conditions

Item	Symbol	Standard	Unit
Power voltage	$V_{CC}$	1 to 3.6	V
Input voltage	$V_{IN}$	0 to 3.6	V
Output voltage	$V_{OUT}$	0 to $V_{CC}$	V
Input rise / fall time	$t_R, t_F$	0 to 1000 ( $V_{CC} = 1.0$ V)	ns
		0 to 500 ( $V_{CC} = 2.0$ V)	ns
		0 to 400 ( $V_{CC} = 3.0$ V)	ns

### ■ DC Electrical Characteristics

Item	Symbol	Conditions	$T_a = 25^\circ\text{C}$			$T_a = -40$ to $85^\circ\text{C}$		Unit			
			$V_{CC}$	Min.	Typ.	Max.	Min.		Max.		
Input voltage	"H" level	$V_{IH}$	—	1.0	0.75	—	—	0.75	—	V	
				1.5	1.05	—	—	1.05	—	V	
				3.0	2.10	—	—	2.10	—	V	
	"L" level	$V_{IL}$	—	1.0	—	—	0.25	—	0.25	V	
				1.5	—	—	0.45	—	0.45	V	
				3.0	—	—	0.90	—	0.90	V	
Output voltage	"H" level	$V_{OH}$	$V_{IN} = V_{IH}$ or $V_{IL}$	$I_{OH} = -20 \mu\text{A}$	1.0	0.9	1.0	—	0.9	—	V
					1.5	1.4	1.5	—	1.4	—	V
					3.0	2.9	3.0	—	2.9	—	V
				$I_{OH} = -1 \text{ mA}$	1.5	1.07	1.23	—	0.99	—	V
					3.0	2.61	2.68	—	2.55	—	V
					$I_{OH} = -2.6 \text{ mA}$	3.0	2.61	2.68	—	2.55	—
	"L" level	$V_{OL}$	$V_{IN} = V_{IH}$ or $V_{IL}$	$I_{OL} = 20 \mu\text{A}$	1.0	—	0	0.1	—	0.1	V
					1.5	—	0	0.1	—	0.1	V
					3.0	—	0	0.1	—	0.1	V
				$I_{OL} = 1 \text{ mA}$	1.5	—	0.23	0.31	—	0.37	V
					3.0	—	0.23	0.31	—	0.33	V
					$I_{OL} = 2.6 \text{ mA}$	3.0	—	0.23	0.31	—	0.33
Input current	$I_{IN}$	$V_{IN} = V_{CC}$ or GND	3.6	—	—	$\pm 0.1$	—	$\pm 1.0$	$\mu\text{A}$		
Current consumption	$I_{CC}$	$V_{IN} = V_{CC}$ or GND	3.6	—	—	1.0	—	10.0	$\mu\text{A}$		

**■ AC Electrical Characteristics**

( $C_L = 15$  pf, Input  $t_R = t_F = 6$  ns,  $V_{CC} = 3.3 \pm 0.3$  V,  $T_a = 25^\circ\text{C}$  unless otherwise specified)

Item	Symbol	Measurement Conditions	Min.	Typ.	Max.	Unit
Output rise / fall time	$t_{TLH}$ , $t_{THL}$	—	—	4.0	8.0	ns
Propagation delay time	$t_{PLH}$ , $t_{PHL}$	—	—	6.0	9.0	ns

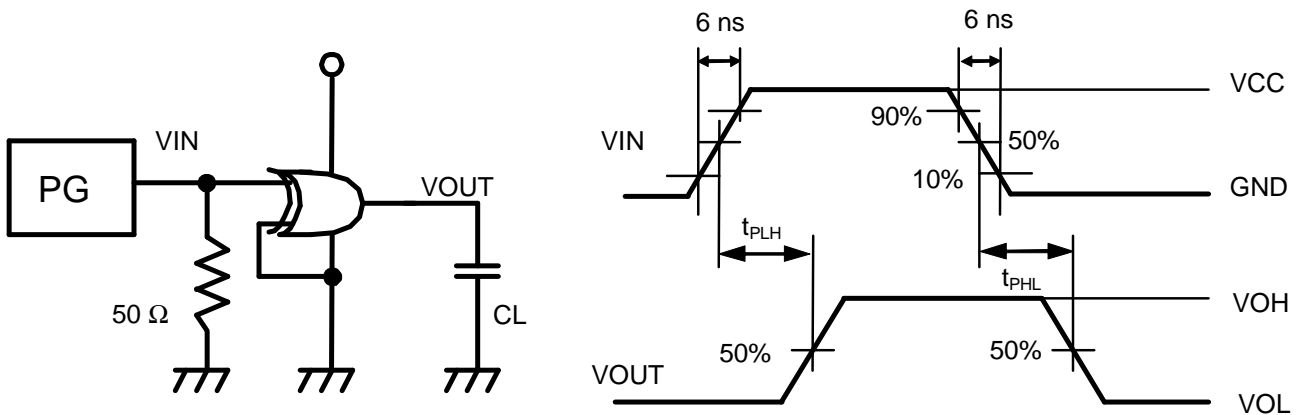
( $C_L = 25$  pf, Input  $t_R = t_F = 6$  ns unless otherwise specified)

Item	Symbol	Measurement Conditions	$T_a = 25^\circ\text{C}$			$T_a = -40$ to $85^\circ\text{C}$		Unit	
			$V_{CC}$ (V)	Min.	Typ.	Max.	Min.		Max.
Output rise / fall time	$t_{TLH}$ , $t_{THL}$	—	1.0	—	35	70	—	90	ns
			1.5	—	15	25	—	30	ns
			3.0	—	7	10	—	14	ns
Propagation delay time	$t_{PLH}$ , $t_{PHL}$	—	1.0	—	30	60	—	75	ns
			1.5	—	15	25	—	30	ns
			3.0	—	7	10	—	14	ns
Input capacitance	$C_{IN}$	—	—	5	10	—	10	pF	
Equivalent internal capacitance	$C_{PD}^{*1}$	—	—	10	—	—	—	pF	

\*1.  $C_{PD}$  is the no-load equivalent capacitance inside the circuitry. Refer to the measurement circuit shown below.  
 Current consumption is averaged by the following equation.

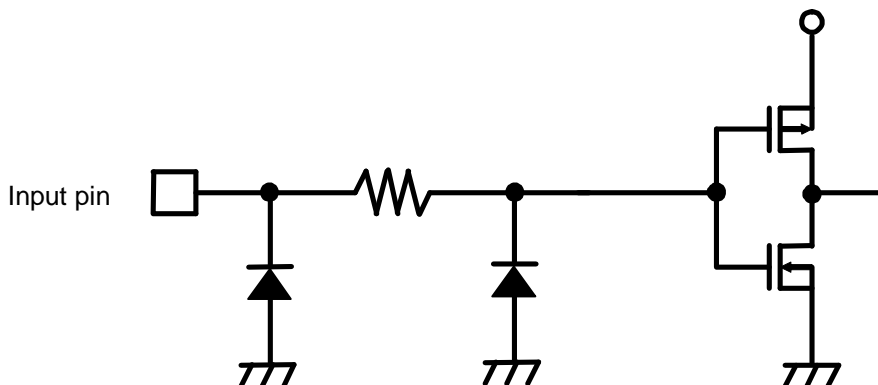
$$I_{CC(opr)} = C_{PD} \times V_{CC} \times fin + I_{CC}$$

**Measurement Circuit**

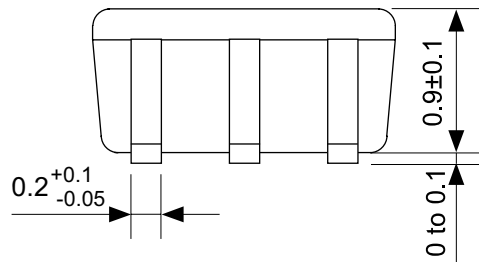
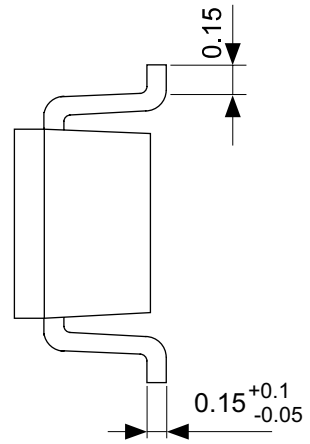
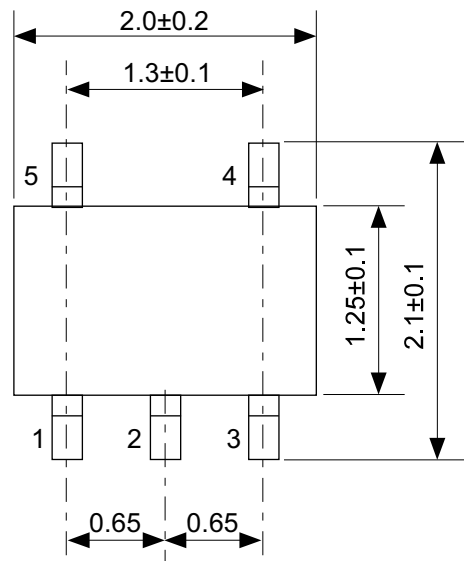


**Remark** No-load output during measurement of current consumption.

**■ Input Pin Equivalent Circuit**

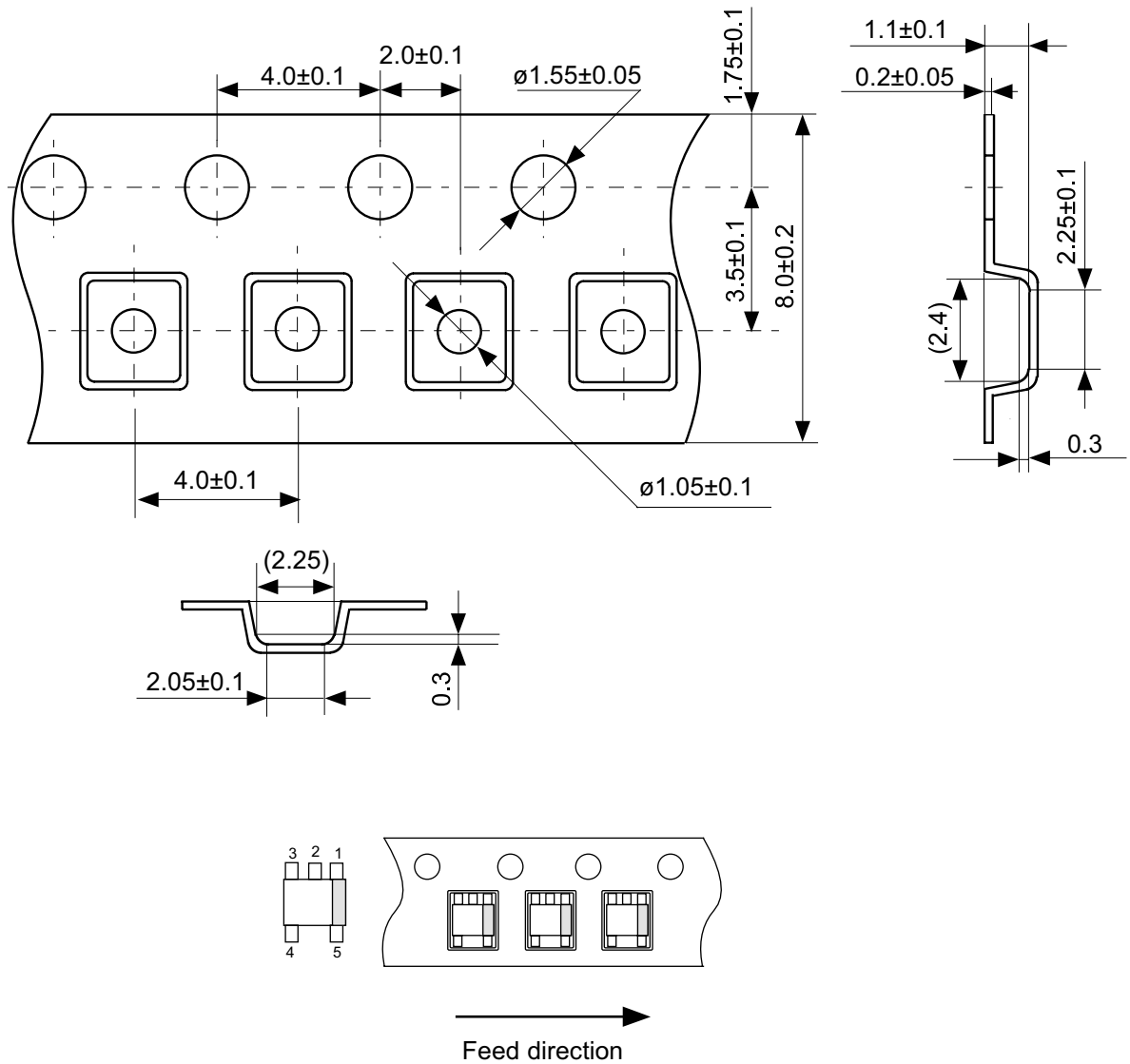






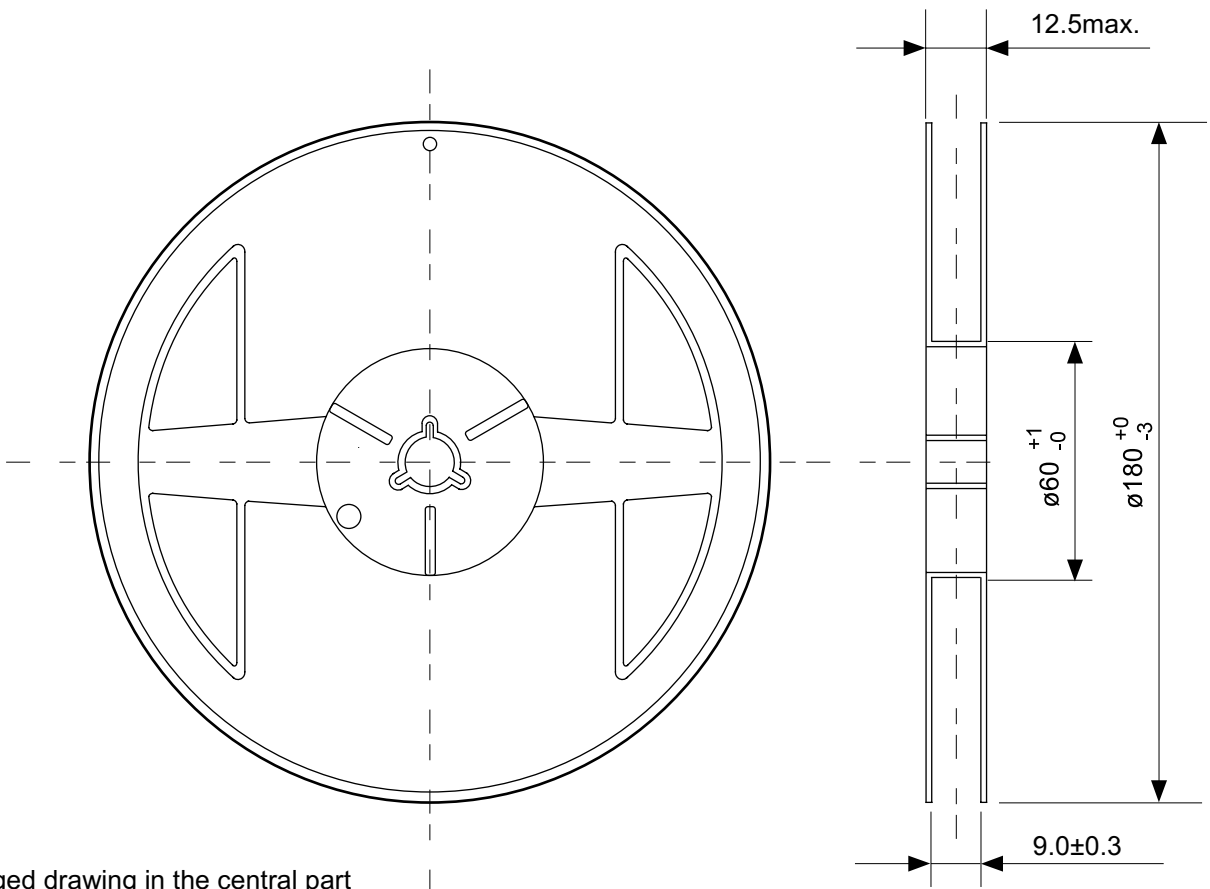
No. NP005-B-P-SD-1.1

TITLE	SC88A-B-PKG Dimensions
No.	NP005-B-P-SD-1.1
SCALE	
UNIT	mm
Seiko Instruments Inc.	

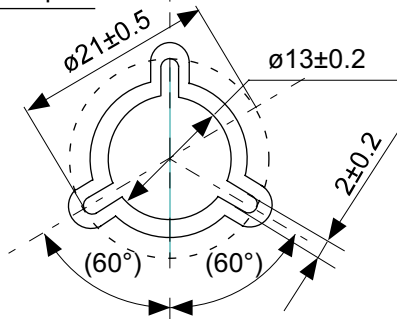


No. NP005-B-C-SD-2.0

TITLE	SC88A-B-Carrier Tape
No.	NP005-B-C-SD-2.0
SCALE	
UNIT	mm
Seiko Instruments Inc.	



Enlarged drawing in the central part



No. NP005-B-R-SD-2.1

TITLE	SC88A-B-Reel		
No.	NP005-B-R-SD-2.1		
SCALE		QTY.	3000
UNIT	mm		
Seiko Instruments Inc.			



Seiko Instruments Inc.  
[www.sii-ic.com](http://www.sii-ic.com)

- The information described herein is subject to change without notice.
- Seiko Instruments Inc. is not responsible for any problems caused by circuits or diagrams described herein whose related industrial properties, patents, or other rights belong to third parties. The application circuit examples explain typical applications of the products, and do not guarantee the success of any specific mass-production design.
- When the products described herein are regulated products subject to the Wassenaar Arrangement or other agreements, they may not be exported without authorization from the appropriate governmental authority.
- Use of the information described herein for other purposes and/or reproduction or copying without the express permission of Seiko Instruments Inc. is strictly prohibited.
- The products described herein cannot be used as part of any device or equipment affecting the human body, such as exercise equipment, medical equipment, security systems, gas equipment, or any apparatus installed in airplanes and other vehicles, without prior written permission of Seiko Instruments Inc.
- The products described herein are not designed to be radiation-proof.
- Although Seiko Instruments Inc. exerts the greatest possible effort to ensure high quality and reliability, the failure or malfunction of semiconductor products may occur. The user of these products should therefore give thorough consideration to safety design, including redundancy, fire-prevention measures, and malfunction prevention, to prevent any accidents, fires, or community damage that may ensue.

Компания «Life Electronics» занимается поставками электронных компонентов импортного и отечественного производства от производителей и со складов крупных дистрибьюторов Европы, Америки и Азии.

С конца 2013 года компания активно расширяет линейку поставок компонентов по направлению коаксиальный кабель, кварцевые генераторы и конденсаторы (керамические, пленочные, электролитические), за счёт заключения дистрибьюторских договоров

Мы предлагаем:

- Конкурентоспособные цены и скидки постоянным клиентам.
- Специальные условия для постоянных клиентов.
- Подбор аналогов.
- Поставку компонентов в любых объемах, удовлетворяющих вашим потребностям.
- Приемлемые сроки поставки, возможна ускоренная поставка.
- Доставку товара в любую точку России и стран СНГ.
- Комплексную поставку.
- Работу по проектам и поставку образцов.
- Формирование склада под заказчика.
- Сертификаты соответствия на поставляемую продукцию (по желанию клиента).
- Тестирование поставляемой продукции.
- Поставку компонентов, требующих военную и космическую приемку.
- Входной контроль качества.
- Наличие сертификата ISO.

В составе нашей компании организован Конструкторский отдел, призванный помогать разработчикам, и инженерам.

Конструкторский отдел помогает осуществить:

- Регистрацию проекта у производителя компонентов.
- Техническую поддержку проекта.
- Защиту от снятия компонента с производства.
- Оценку стоимости проекта по компонентам.
- Изготовление тестовой платы монтаж и пусконаладочные работы.



Тел: +7 (812) 336 43 04 (многоканальный)

Email: [org@lifeelectronics.ru](mailto:org@lifeelectronics.ru)