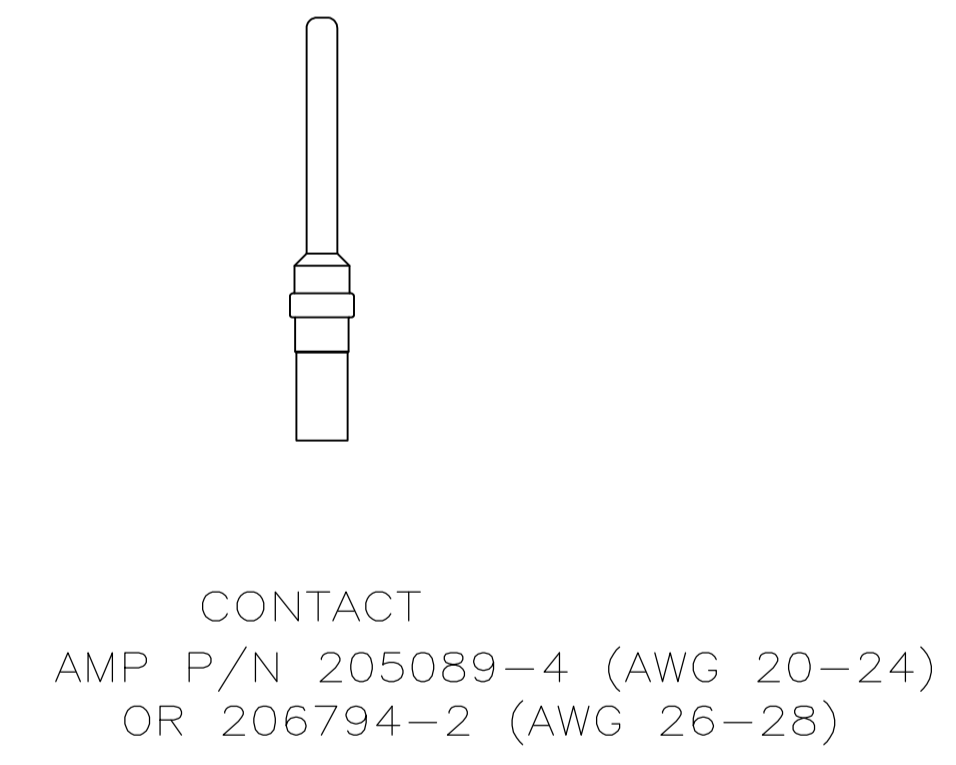
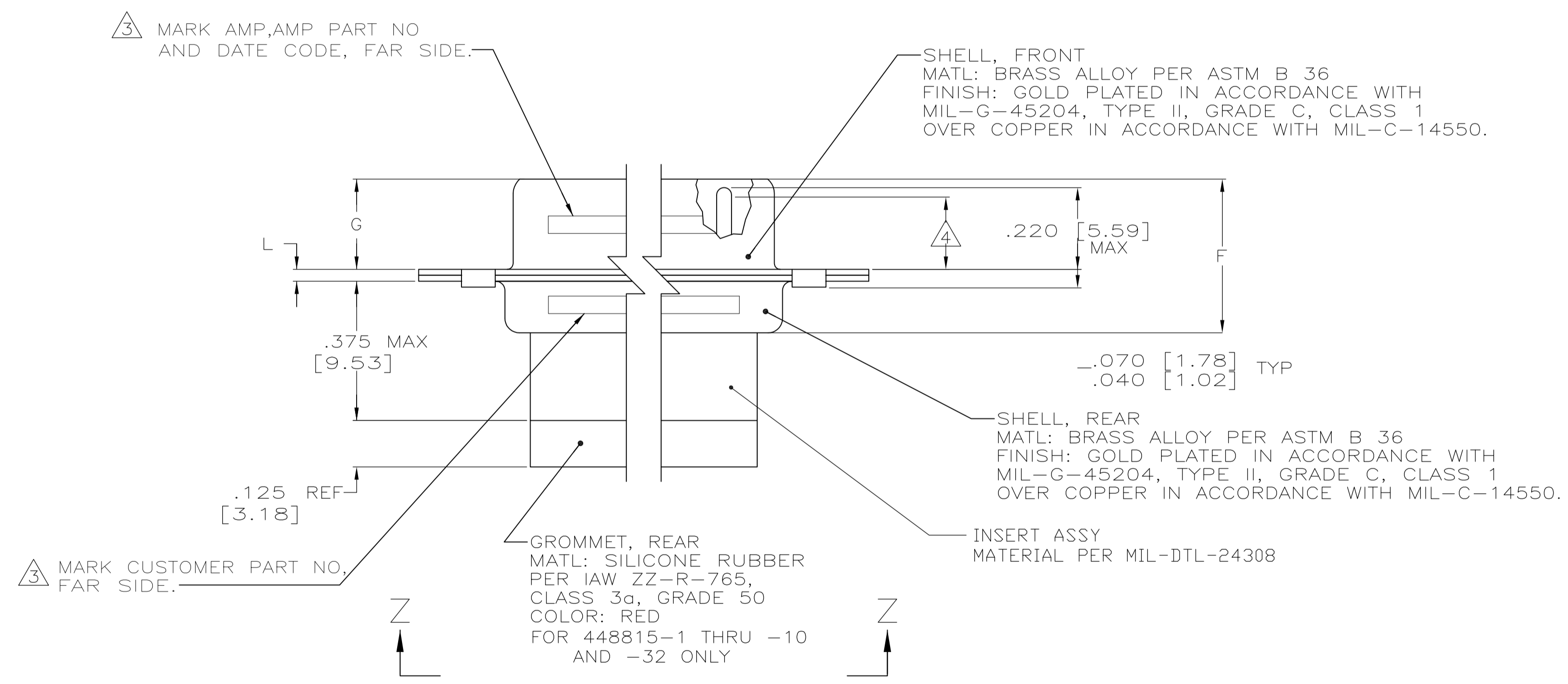
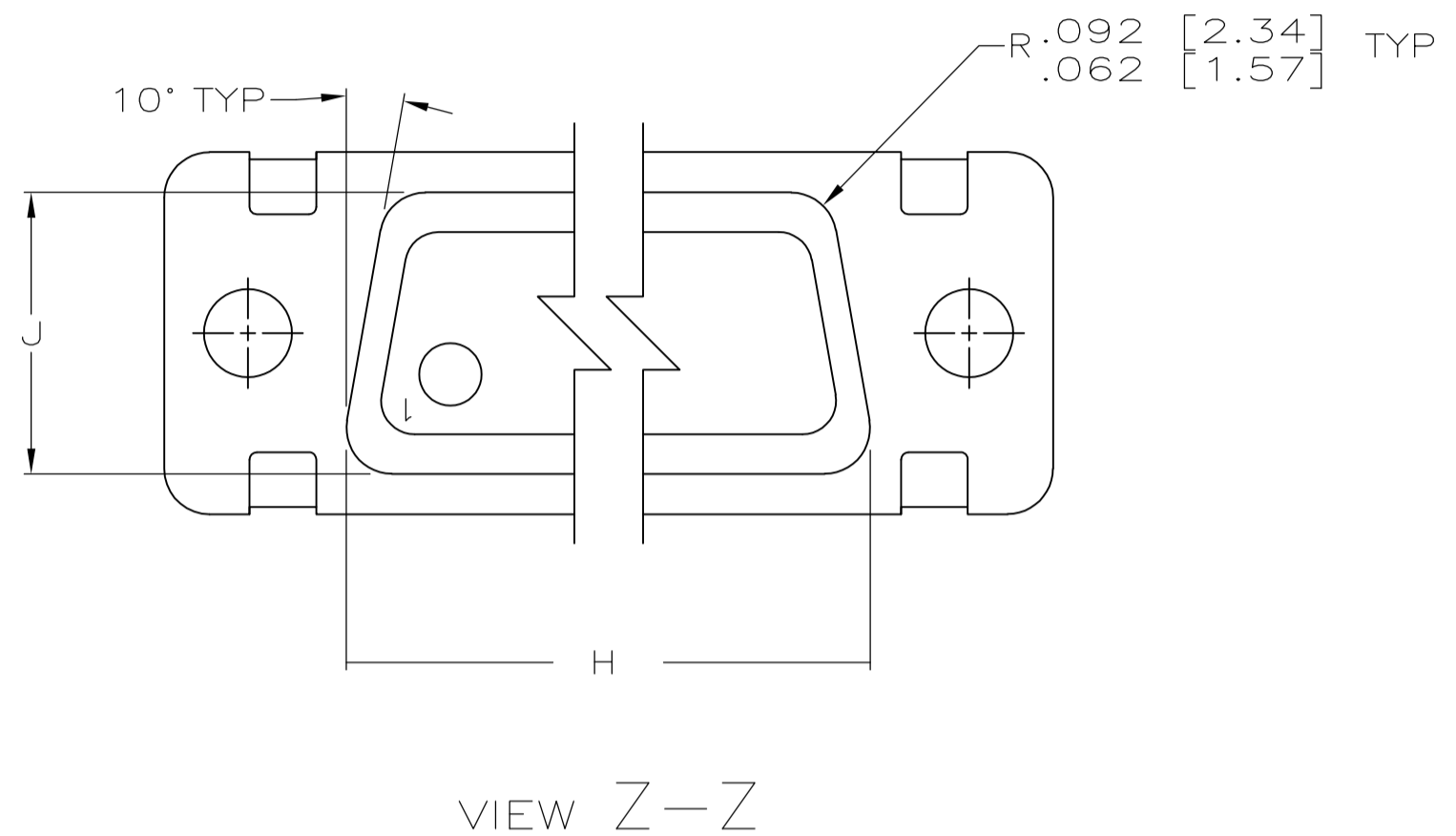
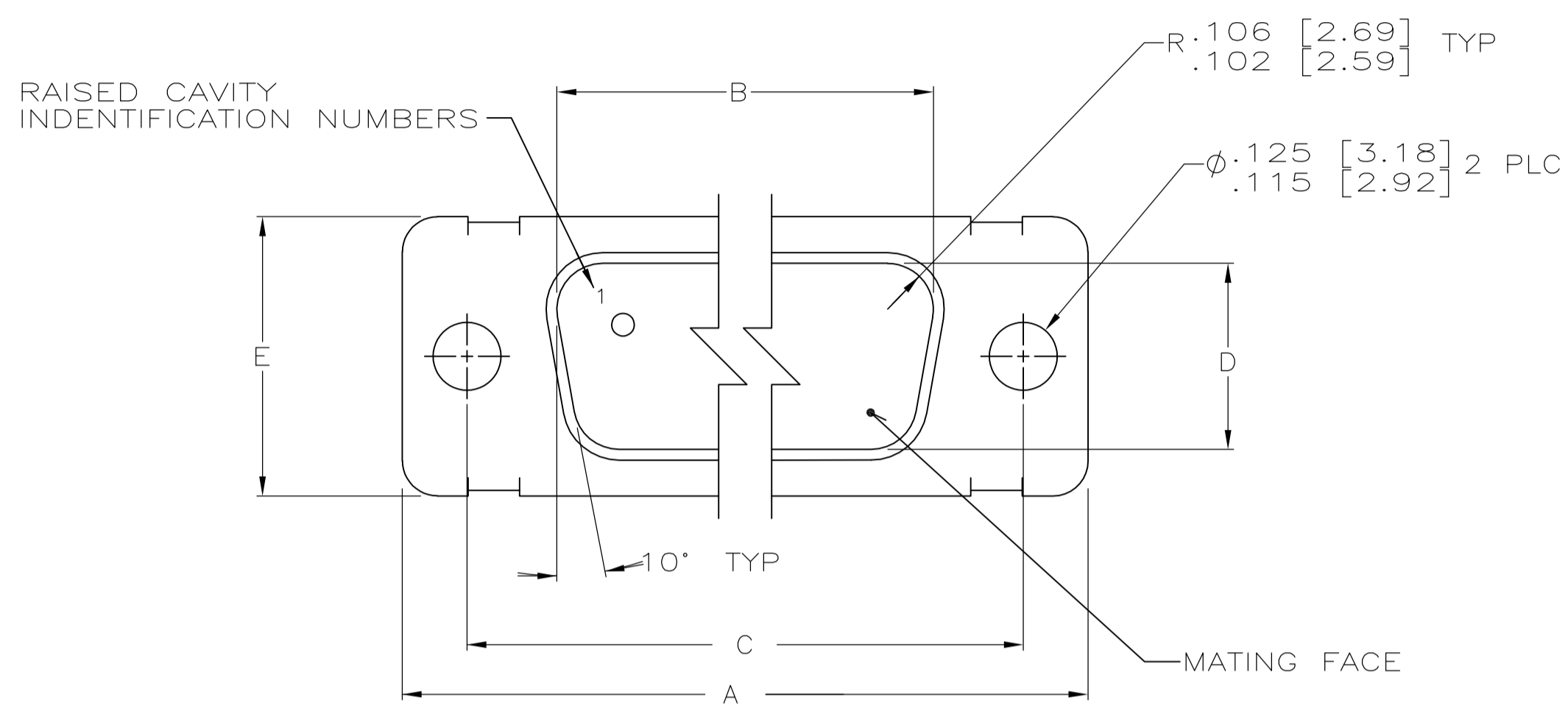


1. THIS CONNECTOR ASSEMBLY IS SUPPLIED WITH METAL CONTACT RETENTION CLIPS INSTALLED IN THE INSERT ASSEMBLY.
2. THIS CONNECTOR ASSEMBLY MEETS THE REQUIREMENTS OF LORAL SPEC 010772 AND MATES WITH ANY RECEPTACLE CONNECTOR WITH SAME INSERT ARRANGEMENT.
3. MARK WITH .047 [1.19]-.062 [1.57] HIGH CHARACTERS. FAR SIDE REFERS TO THE WIDE SIDE OF THE KEYSTONE. NEAR SIDE REFERS TO THE NARROW SIDE OF THE KEYSTONE. IF THE REAR SHELL IS TOO SMALL FOR THE ENTIRE CUSTOMER PART NUMBER, MARKING SHALL BE LOCATED AS FOLLOWS:
  - A. "B010772" ON FRONT SHELL, FAR SIDE.
  - B. CUSTOMER BASE NUMBER ON FRONT SHELL, NEAR SIDE.
  - C. "AMP" AND DATE CODE ON FRONT SHELL, NEAR SIDE.
  - D. AMP PART NUMBER ON REAR SHELL, NEAR SIDE.
4. DIMENSIONS ARE .155 [3.94] MINIMUM FULL PIN DIAMETER EXTENSION (SIZES 3 THRU 6) AND .164 [4.17] MINIMUM FULL PIN DIAMETER EXTENTION (SIZES 1 AND 2).
5. MAXIMUM WIRE INSULATION TO BE USED WITH THIS CONNECTOR ASSEMBLY IS .072 [1.83] DIAMETER.
6. FOR CONTACT CRIMPING INSTRUCTION SHEET REFER TO AMP IS 7516. FOR CONTACT INSTALLATION AND REMOVAL INSTRUCTION SHEET REFER TO AMP IS 7508.
7. DIMENSIONS AND TOLERANCES PER ANSI Y14.5M-1982.
8. THIS DRAWING SHALL BE INTERPRETED IN ACCORDANCE WITH APPLICABLE STANDARDS LISTED IN MIL-STD-100.

PRELIMINARY - NOT RELEASED FOR PRODUCTION	.040 [ 1.02 ] .020 [ 0.51 ]	.432 [ 10.97 ] .412 [ 10.46 ]	1.093 [ 27.76 ] 1.073 [ 27.25 ]	.241 [ 6.12 ] .229 [ 5.82 ]	.432 [ 10.97 ] .412 [ 10.46 ]	.509 [ 12.93 ] .479 [ 12.17 ]	.334 [ 8.48 ] .324 [ 8.23 ]	1.317 [ 33.45 ] 1.307 [ 33.20 ]	.999 [ 25.37 ] .989 [ 25.12 ]	1.556 [ 39.52 ] 1.526 [ 38.76 ]	MS18274-1	15	2	B010772-0044	3-448815-2	3-448815-2
PRELIMINARY - NOT RELEASED FOR PRODUCTION	.049 [ 1.24 ] .029 [ 0.74 ]	.544 [ 13.82 ] .524 [ 13.31 ]	2.188 [ 55.58 ] 2.168 [ 55.07 ]	.236 [ 5.99 ] .224 [ 5.69 ]	.436 [ 11.07 ] .416 [ 10.57 ]	.620 [ 15.75 ] .590 [ 14.99 ]	.441 [ 11.20 ] .431 [ 10.95 ]	2.411 [ 61.24 ] 2.401 [ 60.99 ]	2.084 [ 52.93 ] 2.074 [ 52.68 ]	2.650 [ 67.31 ] 2.620 [ 66.55 ]	MS18277-1	50	5	B010772-0031	1-448815-5	1-448815-5
			1.635 [ 41.53 ] 1.615 [ 41.02 ]					2.505 [ 63.63 ] 2.495 [ 63.37 ]	2.187 [ 55.55 ] 2.177 [ 55.30 ]	2.744 [ 69.70 ] 2.714 [ 68.94 ]	MS18276-1	37	4	B010772-0029	1-448815-4	1-448815-4
		.432 [ 10.97 ] .412 [ 10.46 ]	1.093 [ 27.76 ] 1.073 [ 27.25 ]	.241 [ 6.12 ] .229 [ 5.82 ]	.432 [ 10.97 ] .412 [ 10.46 ]	.509 [ 12.93 ] .479 [ 12.17 ]	.334 [ 8.48 ] .324 [ 8.23 ]	1.857 [ 47.17 ] 1.847 [ 46.91 ]	1.539 [ 39.09 ] 1.529 [ 38.84 ]	2.103 [ 53.42 ] 2.073 [ 52.65 ]	MS18275-1	25	3	B010772-0027	1-448815-3	1-448815-3
	.040 [ 1.02 ] .020 [ 0.51 ]		1.093 [ 27.76 ] 1.073 [ 27.25 ]	.241 [ 6.12 ] .229 [ 5.82 ]	.432 [ 10.97 ] .412 [ 10.46 ]			1.317 [ 33.45 ] 1.307 [ 33.20 ]	.999 [ 25.37 ] .989 [ 25.12 ]	1.556 [ 39.52 ] 1.526 [ 38.76 ]	MS18274-1	15	2	B010772-0025	1-448815-2	1-448815-2
		.544 [ 13.82 ] .524 [ 13.31 ]	2.188 [ 55.58 ] 2.168 [ 55.07 ]	.236 [ 5.99 ] .224 [ 5.69 ]	.436 [ 11.07 ] .416 [ 10.57 ]	.620 [ 15.75 ] .590 [ 14.99 ]	.441 [ 11.20 ] .431 [ 10.95 ]	2.411 [ 61.24 ] 2.401 [ 60.99 ]	2.084 [ 52.93 ] 2.074 [ 52.68 ]	2.650 [ 67.31 ] 2.620 [ 66.55 ]	MS18277-1	50	5	A010772-0009	1-448815-0	1-448815-0
	.049 [ 1.24 ] .029 [ 0.74 ]		2.282 [ 57.96 ] 2.262 [ 57.45 ]	.236 [ 5.99 ] .224 [ 5.69 ]	.436 [ 11.07 ] .416 [ 10.57 ]			2.505 [ 63.63 ] 2.495 [ 63.37 ]	2.187 [ 55.55 ] 2.177 [ 55.30 ]	2.744 [ 69.70 ] 2.714 [ 68.94 ]	MS18276-1	37	4	A010772-0007	448815-9	448815-9
		.432 [ 10.97 ] .412 [ 10.46 ]	1.635 [ 41.53 ] 1.615 [ 41.02 ]					1.857 [ 47.17 ] 1.847 [ 46.91 ]	1.539 [ 39.09 ] 1.529 [ 38.84 ]	2.103 [ 53.42 ] 2.073 [ 52.65 ]	MS18275-1	25	3	A010772-0005	448815-8	448815-8
	.040 [ 1.02 ] .020 [ 0.51 ]		1.093 [ 27.76 ] 1.073 [ 27.25 ]	.241 [ 6.12 ] .229 [ 5.82 ]	.432 [ 10.97 ] .412 [ 10.46 ]			1.317 [ 33.45 ] 1.307 [ 33.20 ]	.999 [ 25.37 ] .989 [ 25.12 ]	1.556 [ 39.52 ] 1.526 [ 38.76 ]	MS18274-1	15	2	A010772-0003	448815-7	448815-7
		.544 [ 13.82 ] .524 [ 13.31 ]	2.188 [ 55.58 ] 2.168 [ 55.07 ]	.236 [ 5.99 ] .224 [ 5.69 ]	.436 [ 11.07 ] .416 [ 10.57 ]	.620 [ 15.75 ] .590 [ 14.99 ]	.441 [ 11.20 ] .431 [ 10.95 ]	2.411 [ 61.24 ] 2.401 [ 60.99 ]	2.084 [ 52.93 ] 2.074 [ 52.68 ]	2.650 [ 67.31 ] 2.620 [ 66.55 ]	MS18277-1	50	5	B010772-0009	448815-5	448815-5
	.049 [ 1.24 ] .029 [ 0.74 ]		2.282 [ 57.96 ] 2.262 [ 57.45 ]	.236 [ 5.99 ] .224 [ 5.69 ]	.436 [ 11.07 ] .416 [ 10.57 ]			2.505 [ 63.63 ] 2.495 [ 63.37 ]	2.187 [ 55.55 ] 2.177 [ 55.30 ]	2.744 [ 69.70 ] 2.714 [ 68.94 ]	MS18276-1	37	4	B010772-0007	448815-4	448815-4
		.432 [ 10.97 ] .412 [ 10.46 ]	1.635 [ 41.53 ] 1.615 [ 41.02 ]					1.857 [ 47.17 ] 1.847 [ 46.91 ]	1.539 [ 39.09 ] 1.529 [ 38.84 ]	2.103 [ 53.42 ] 2.073 [ 52.65 ]	MS18275-1	25	3	B010772-0005	448815-3	448815-3
	.040 [ 1.02 ] .020 [ 0.51 ]		1.093 [ 27.76 ] 1.073 [ 27.25 ]	.241 [ 6.12 ] .229 [ 5.82 ]	.432 [ 10.97 ] .412 [ 10.46 ]			1.317 [ 33.45 ] 1.307 [ 33.20 ]	.999 [ 25.37 ] .989 [ 25.12 ]	1.556 [ 39.52 ] 1.526 [ 38.76 ]	MS18274-1	15	2	B010772-0003	448815-2	448815-2
		.544 [ 13.82 ] .524 [ 13.31 ]	2.188 [ 55.58 ] 2.168 [ 55.07 ]	.236 [ 5.99 ] .224 [ 5.69 ]	.436 [ 11.07 ] .416 [ 10.57 ]	.620 [ 15.75 ] .590 [ 14.99 ]	.441 [ 11.20 ] .431 [ 10.95 ]	2.411 [ 61.24 ] 2.401 [ 60.99 ]	2.084 [ 52.93 ] 2.074 [ 52.68 ]	2.650 [ 67.31 ] 2.620 [ 66.55 ]	MS18277-1	50	5	B010772-0009	448815-5	448815-5
	.049 [ 1.24 ] .029 [ 0.74 ]		2.282 [ 57.96 ] 2.262 [ 57.45 ]	.236 [ 5.99 ] .224 [ 5.69 ]	.436 [ 11.07 ] .416 [ 10.57 ]			2.505 [ 63.63 ] 2.495 [ 63.37 ]	2.187 [ 55.55 ] 2.177 [ 55.30 ]	2.744 [ 69.70 ] 2.714 [ 68.94 ]	MS18276-1	37	4	B010772-0007	448815-4	448815-4
		.432 [ 10.97 ] .412 [ 10.46 ]	1.635 [ 41.53 ] 1.615 [ 41.02 ]					1.857 [ 47.17 ] 1.847 [ 46.91 ]	1.539 [ 39.09 ] 1.529 [ 38.84 ]	2.103 [ 53.42 ] 2.073 [ 52.65 ]	MS18275-1	25	3	B010772-0005	448815-3	448815-3
	.040 [ 1.02 ] .020 [ 0.51 ]		1.093 [ 27.76 ] 1.073 [ 27.25 ]	.241 [ 6.12 ] .229 [ 5.82 ]	.432 [ 10.97 ] .412 [ 10.46 ]			1.317 [ 33.45 ] 1.307 [ 33.20 ]	.999 [ 25.37 ] .989 [ 25.12 ]	1.556 [ 39.52 ] 1.526 [ 38.76 ]	MS18274-1	15	2	B010772-0003	448815-2	448815-2
		.544 [ 13.82 ] .524 [ 13.31 ]	2.188 [ 55.58 ] 2.168 [ 55.07 ]	.236 [ 5.99 ] .224 [ 5.69 ]	.436 [ 11.07 ] .416 [ 10.57 ]	.620 [ 15.75 ] .590 [ 14.99 ]	.441 [ 11.20 ] .431 [ 10.95 ]	2.411 [ 61.24 ] 2.401 [ 60.99 ]	2.084 [ 52.93 ] 2.074 [ 52.68 ]	2.650 [ 67.31 ] 2.620 [ 66.55 ]	MS18277-1	50	5	B010772-0009	448815-5	448815-5
	.049 [ 1.24 ] .029 [ 0.74 ]		2.282 [ 57.96 ] 2.262 [ 57.45 ]	.236 [ 5.99 ] .224 [ 5.69 ]	.436 [ 11.07 ] .416 [ 10.57 ]			2.505 [ 63.63 ] 2.495 [ 63.37 ]	2.187 [ 55.55 ] 2.177 [ 55.30 ]	2.744 [ 69.70 ] 2.714 [ 68.94 ]	MS18276-1	37	4	B010772-0007	448815-4	448815-4
		.432 [ 10.97 ] .412 [ 10.46 ]	1.635 [ 41.53 ] 1.615 [ 41.02 ]					1.857 [ 47.17 ] 1.847 [ 46.91 ]	1.539 [ 39.09 ] 1.529 [ 38.84 ]	2.103 [ 53.42 ] 2.073 [ 52.65 ]	MS18275-1	25	3	B010772-0005	448815-3	448815-3
	.040 [ 1.02 ] .020 [ 0.51 ]		1.093 [ 27.76 ] 1.073 [ 27.25 ]	.241 [ 6.12 ] .229 [ 5.82 ]	.432 [ 10.97 ] .412 [ 10.46 ]			1.317 [ 33.45 ] 1.307 [ 33.20 ]	.999 [ 25.37 ] .989 [ 25.12 ]	1.556 [ 39.52 ] 1.526 [ 38.76 ]	MS18274-1	15	2	B010772-0003	448815-2	448815-2
		.544 [ 13.82 ] .524 [ 13.31 ]	2.188 [ 55.58 ] 2.168 [ 55.07 ]	.236 [ 5.99 ] .224 [ 5.69 ]	.436 [ 11.07 ] .416 [ 10.57 ]	.620 [ 15.75 ] .590 [ 14.99 ]	.441 [ 11.20 ] .431 [ 10.95 ]	2.411 [ 61.24 ] 2.401 [ 60.99 ]	2.084 [ 52.93 ] 2.074 [ 52.68 ]	2.650 [ 67.31 ] 2.620 [ 66.55 ]	MS18277-1	50	5	B010772-0009	448815-5	448815-5
	.049 [ 1.24 ] .029 [ 0.74 ]		2.282 [ 57.96 ] 2.262 [ 57.45 ]	.236 [ 5.99 ] .224 [ 5.69 ]	.436 [ 11.07 ] .416 [ 10.57 ]			2.505 [ 63.63 ] 2.495 [ 63.37 ]	2.187 [ 55.55 ] 2.177 [ 55.30 ]	2.744 [ 69.70 ] 2.714 [ 68.94 ]	MS18276-1	37	4	B010772-0007	448815-4	448815-4
		.432 [ 10.97 ] .412 [ 10.46 ]	1.635 [ 41.53 ] 1.615 [ 41.02 ]					1.857 [ 47.17 ] 1.847 [ 46.91 ]	1.539 [ 39.09 ] 1.529 [ 38.84 ]	2.103 [ 53.42 ] 2.073 [ 52.65 ]	MS18275-1	25	3	B010772-0005	448815-3	448815-3
	.040 [ 1.02 ] .020 [ 0.51 ]		1.093 [ 27.76 ] 1.073 [ 27.25 ]	.241 [ 6.12 ] .229 [ 5.82 ]	.432 [ 10.97 ] .412 [ 10.46 ]			1.317 [ 33.45 ] 1.307 [ 33.20 ]	.999 [ 25.37 ] .989 [ 25.12 ]	1.556 [ 39.52 ] 1.526 [ 38.76 ]	MS18274-1	15	2	B010772-0003	448815-2	448815-2
		.544 [ 13.82 ] .524 [ 13.31 ]	2.188 [ 55.58 ] 2.168 [ 55.07 ]	.236 [ 5.99 ] .224 [ 5.69 ]	.436 [ 11.07 ] .416 [ 10.57 ]	.620 [ 15.75 ] .590 [ 14.99 ]	.441 [ 11.20 ] .431 [ 10.95 ]	2.411 [ 61.24 ] 2.401 [ 60.99 ]	2.084 [ 52.93 ] 2.074 [ 52.68 ]	2.650 [ 67.31 ] 2.620 [ 66.55 ]	MS18277-1	50	5	B010772-0009	448815-5	448815-5
	.049 [ 1.24 ] .029 [ 0.74 ]		2.282 [ 57.96 ] 2.262 [ 57.45 ]	.236 [ 5.99 ] .224 [ 5.69 ]	.436 [ 11.07 ] .416 [ 10.57 ]			2.505 [ 63.63 ] 2.495 [ 63.37 ]	2.187 [ 55.55 ] 2.177 [ 55.30 ]	2.744 [ 69.70 ] 2.714 [ 68.94 ]	MS18276-1	37	4	B010772-0007	448815-4	448815-4
		.432 [ 10.97 ] .412 [ 10.46 ]	1.635 [ 41.53 ] 1.615 [ 41.02 ]					1.857 [ 47.17 ] 1.847 [ 46.91 ]	1.539 [ 39.09 ] 1.529 [ 38.84 ]	2.103 [ 53.42 ] 2.073 [ 52.65 ]	MS18275-1	25	3	B010772-0005	448815-3	448815-3
	.040 [ 1.02 ] .020 [ 0.51 ]		1.093 [ 27.76 ] 1.073 [ 27.25 ]	.241 [ 6.12 ] .229 [ 5.82 ]	.432 [ 10.97 ] .412 [ 10.46 ]			1.317 [ 33.45 ] 1.307 [ 33.20 ]	.999 [ 25.37 ] .989 [ 25.12 ]	1.556 [ 39.52 ] 1.526 [ 38.76 ]	MS18274-1	15	2	B010772-0003	448815-2	448815-2
		.544 [ 13.82 ] .524 [ 13.31 ]	2.188 [ 55.58 ] 2.168 [ 55.07 ]	.236 [ 5.99 ] .224 [ 5.69 ]	.436 [ 11.07 ] .416 [ 10.57 ]	.620 [ 15.75 ] .590 [ 14.99 ]	.441 [ 11.20 ] .431 [ 10.95 ]	2.411 [ 61.24 ] 2.401 [ 60.99 ]	2.084 [ 52.93 ] 2.074 [ 52.68 ]	2.650 [ 67.31 ] 2.620 [ 66.55 ]	MS18277-1	50	5	B010772-0009	448815-5	448815-5
	.049 [ 1.24 ] .029 [ 0.74 ]		2.282 [ 57.96 ] 2.262 [ 57.45 ]	.236 [ 5.99 ] .224 [ 5.69 ]	.436 [ 11.07 ] .416 [ 10.57 ]			2.505 [ 63.63 ] 2.495 [ 63.37 ]	2.187 [ 55.55 ] 2.177 [ 55.30 ]	2.744 [ 69.70 ] 2.714 [ 68.94 ]	MS18276-1	37	4	B010772-0007	448815-4	448815-4
		.432 [ 10.97 ] .412 [ 10.46 ]	1.635 [ 41.53 ] 1.615 [ 41.02 ]					1.857 [ 47.17 ] 1.847 [ 46.91 ]	1.539 [ 39.09 ] 1.529 [ 38.84 ]	2.103 [ 53.42 ] 2.073 [ 52.65 ]	MS18275-1	25	3	B010772-0005	448815-3	448815-3
	.040 [ 1.02 ] .020 [ 0.51 ]		1.093 [ 27.76 ] 1.073 [ 27.25 ]	.241 [ 6.12 ] .229 [ 5.82 ]	.432 [ 10.97 ] .412 [ 10.46 ]			1.317 [ 33.45 ] 1.307 [ 33.20 ]	.999 [ 25.37 ] .989 [ 25.12 ]	1.556 [ 39.52 ] 1.526 [ 38.76 ]	MS18274-1	15	2	B010772-0003	448815-2	448815-2
		.544 [ 13.82 ] .524 [ 13.31 ]	2.188 [ 55.58 ] 2.168 [ 55.07 ]	.236 [ 5.99 ] .224 [ 5.69 ]	.436 [ 11.07 ] .416 [ 10.57 ]	.620 [ 15.75 ] .590 [ 14.99 ]	.441 [ 11.20 ] .431 [ 10.95 ]	2.411 [ 61.24 ] 2.401 [ 60.99 ]	2.084 [ 52.93 ] 2.074 [ 52.68 ]	2.650 [ 67.31 ] 2.620 [ 66.55 ]	MS18277-1	50	5	B010772-0009	448815-5	448815-5
	.049 [ 1.24 ] .029 [ 0.74 ]		2.282 [ 57.96 ] 2.262 [ 57.45 ]	.236 [ 5.99 ] .224 [ 5.69 ]	.436 [ 11.											

LOC		DIST		REVISIONS			
P	LYR	DESCRIPTION	DATE	DNW	APVD		
-	-	SEE SHEET 1	-	-	-	-	-



THIS DRAWING IS A CONTROLLED DOCUMENT.		DWN AJ GRAFF 2-11-93 CHK F. KINSEY 2-17-93 APVD -	TE Connectivity	
DIMENSIONS: INCHES 	TOLERANCES UNLESS OTHERWISE SPECIFIED: 0 PLC ± - 1 PLC ± - 2 PLC ± - 3 PLC ± - 4 PLC ± - ANGLES ± ± -	NAME - PRODUCT SPEC MIL-C-24308 APPLICATION SPEC -	AMPLIMITE NONMAGNETIC PLUG ASSY WITH SIZE 20 CRIMP TYPE PIN CONTACTS, SERIES 109.	
MATERIAL SEE CALLOUTS	FINISH SEE CALLOUTS	WEIGHT - CUSTOMER DRAWING	SIZE A1 CAGE CODE 00779 DRAWING NO C=448815	RESTRICTED TO - SCALE 4:1 SHEET 2 OF 2 REV E

Компания «Life Electronics» занимается поставками электронных компонентов импортного и отечественного производства от производителей и со складов крупных дистрибьюторов Европы, Америки и Азии.

С конца 2013 года компания активно расширяет линейку поставок компонентов по направлению коаксиальный кабель, кварцевые генераторы и конденсаторы (керамические, пленочные, электролитические), за счёт заключения дистрибьюторских договоров

Мы предлагаем:

- Конкурентоспособные цены и скидки постоянным клиентам.
- Специальные условия для постоянных клиентов.
- Подбор аналогов.
- Поставку компонентов в любых объемах, удовлетворяющих вашим потребностям.
- Приемлемые сроки поставки, возможна ускоренная поставка.
- Доставку товара в любую точку России и стран СНГ.
- Комплексную поставку.
- Работу по проектам и поставку образцов.
- Формирование склада под заказчика.
- Сертификаты соответствия на поставляемую продукцию (по желанию клиента).
- Тестирование поставляемой продукции.
- Поставку компонентов, требующих военную и космическую приемку.
- Входной контроль качества.
- Наличие сертификата ISO.

В составе нашей компании организован Конструкторский отдел, призванный помогать разработчикам, и инженерам.

Конструкторский отдел помогает осуществить:

- Регистрацию проекта у производителя компонентов.
- Техническую поддержку проекта.
- Защиту от снятия компонента с производства.
- Оценку стоимости проекта по компонентам.
- Изготовление тестовой платы монтаж и пусконаладочные работы.



Тел: +7 (812) 336 43 04 (многоканальный)

Email: [org@lifeelectronics.ru](mailto:org@lifeelectronics.ru)