

## Product Specification

### OC-48 LR-1/STM L-16.1 RoHS Compliant Pluggable SFP Transceiver

### FTLF1721P2xTL

#### PRODUCT FEATURES

- Up to 2.67Gb/s bi-directional data links
- Hot-pluggable SFP footprint
- Built-in digital diagnostic functions
- Uncooled 1310nm DFB laser transmitter
- APD Receiver
- Duplex LC connector
- RoHS Compliant
- Metal enclosure, for lower EMI
- Single 3.3V power supply
- Low power dissipation <700mW typical
- Industrial operating temperature range: -40°C to 85°C



#### APPLICATIONS

- SONET OC-48 LR-1 / SDH STM L-16.1
- SONET OC-12 / SDH STM 4
- SONET OC-3 / SDH STM-1
- Gigabit Ethernet / 1x/2x Fibre Channel

Finisar's FTLF1721P2xTL Small Form Factor Pluggable (SFP) transceivers are compatible with the Small Form Factor Pluggable Multi-Sourcing Agreement (MSA)<sup>1</sup>. They comply with SONET OC-48 LR-1 (SDH STM L-16.1) standards<sup>2</sup>, Gigabit Ethernet as specified in IEEE Std 802.3<sup>3(\*)</sup> and Fibre Channel FC-PI-2 Rev. 7.0<sup>4(\*)</sup>. They are compatible with SONET OC-12 SR and SONET OC-3 standards<sup>2</sup> and are RoHS compliant per Directive 2002/95/EC<sup>5</sup> and Finisar Application Note AN-2038. Digital diagnostics functions are available via the 2-wire serial bus specified in the SFP MSA.

#### PRODUCT SELECTION

### FTLF1721P2xTL

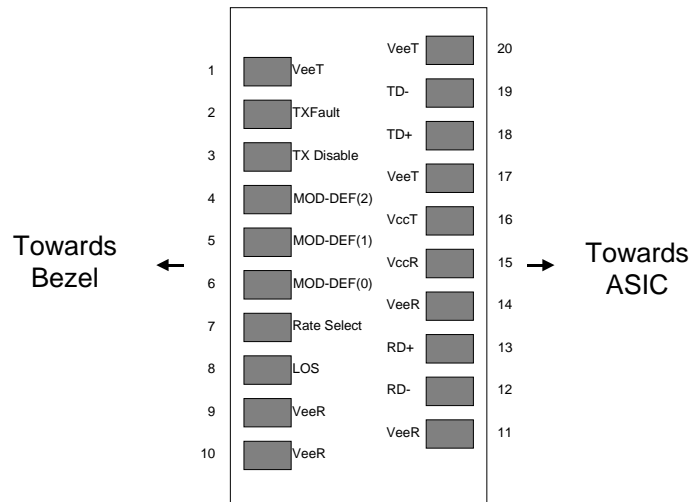
x	W	Wide Extraction Bail
	B	Narrow Extraction Bail

**I. Pin Descriptions**

Pin	Symbol	Name/Description	Ref.
1	V <sub>EET</sub>	Transmitter Ground (Common with Receiver Ground)	1
2	T <sub>FAULT</sub>	Transmitter Fault.	
3	T <sub>DIS</sub>	Transmitter Disable. Laser output disabled on high or open.	2
4	MOD_DEF(2)	Module Definition 2. Data line for Serial ID.	3
5	MOD_DEF(1)	Module Definition 1. Clock line for Serial ID.	3
6	MOD_DEF(0)	Module Definition 0. Grounded within the module.	3
7	Rate Select	No connection required	4
8	LOS	Loss of Signal indication. Logic 0 indicates normal operation.	5
9	V <sub>EER</sub>	Receiver Ground (Common with Transmitter Ground)	1
10	V <sub>EER</sub>	Receiver Ground (Common with Transmitter Ground)	1
11	V <sub>EER</sub>	Receiver Ground (Common with Transmitter Ground)	1
12	RD-	Receiver Inverted DATA out. AC Coupled	
13	RD+	Receiver Non-inverted DATA out. AC Coupled	
14	V <sub>EER</sub>	Receiver Ground (Common with Transmitter Ground)	1
15	V <sub>CCR</sub>	Receiver Power Supply	
16	V <sub>CCT</sub>	Transmitter Power Supply	
17	V <sub>EET</sub>	Transmitter Ground (Common with Receiver Ground)	1
18	TD+	Transmitter Non-Inverted DATA in. AC Coupled.	
19	TD-	Transmitter Inverted DATA in. AC Coupled.	
20	V <sub>EET</sub>	Transmitter Ground (Common with Receiver Ground)	1

Notes:

1. Circuit ground is internally isolated from chassis ground.
2. Laser output disabled on T<sub>DIS</sub> >2.0V or open, enabled on T<sub>DIS</sub> <0.8V.
3. Should be pulled up with 4.7k – 10kohms on host board to a voltage between 2.0V and 3.6V. MOD\_DEF(0) pulls line low to indicate module is plugged in.
4. Finisar FTLFxx21xxxxx transceivers operate between OC-3 and OC-48, 1x and 2x Fibre Channel, and Gigabit Ethernet data rates and respective protocols without active control. Finisar FTLFxx19xxxxx transceivers operate at 1x and 2x Fibre Channel, and Gigabit Ethernet data rates and respective protocols without active control.
5. LOS is open collector output. Should be pulled up with 4.7k – 10kohms on host board to a voltage between 2.0V and 3.6V. Logic 0 indicates normal operation; logic 1 indicates loss of signal.



**Diagram of Connector Block Pinout on the Host Board**

**II. Absolute Maximum Ratings**

Parameter	Symbol	Min	Typ	Max	Unit	Ref.
Maximum Supply Voltage	V <sub>CC</sub>	-0.5		4.5	V	
Storage Temperature	T <sub>S</sub>	-40		85	°C	
Case Operating Temperature	T <sub>OP</sub>	-40		85	°C	
Relative Humidity	RH	0		85	%	1

**III. Electrical Characteristics (T<sub>OP</sub> = -40 to 85 °C, V<sub>CC</sub> = 3.10 to 3.50 Volts)**

Parameter	Symbol	Min	Typ	Max	Unit	Ref.
Supply Voltage	V <sub>CC</sub>	3.10		3.50	V	
Supply Current	I <sub>CC</sub>		230	300	mA	
<b>Transmitter</b>						
Input differential impedance	R <sub>in</sub>		100		Ω	2
Single ended data input swing	V <sub>in,pp</sub>	250		1200	mV	
Transmit Disable Voltage	V <sub>D</sub>	V <sub>CC</sub> – 1.3		V <sub>CC</sub>	V	
Transmit Enable Voltage	V <sub>EN</sub>	V <sub>EE</sub>		V <sub>EE</sub> + 0.8	V	3
Transmit Disable Assert Time				10	us	
<b>Receiver</b>						
Single ended data output swing	V <sub>out,pp</sub>	300	400	800	mV	4
Data output rise time	t <sub>r</sub>		100	175	ps	5
Data output fall time	t <sub>f</sub>		100	175	ps	5
LOS Fault	V <sub>LOS fault</sub>	V <sub>CC</sub> – 0.5		V <sub>CC</sub> <sub>HOST</sub>	V	6
LOS Normal	V <sub>LOS norm</sub>	V <sub>EE</sub>		V <sub>EE</sub> +0.5	V	6
Power Supply Rejection	PSR	100			mV <sub>pp</sub>	7
Total Generated Receiver Jitter (peak to peak)	J <sub>RXP-P</sub>			0.07	UI	
Total Generated Receiver Jitter (rms)	J <sub>RXRMS</sub>			0.007	UI	

Notes:

1. Non condensing.
2. AC coupled
3. Or open circuit.
4. Into 100 ohms differential termination.
5. 20 – 80 %
6. Loss Of Signal is LVTTTL. Logic 0 indicates normal operation; logic 1 indicates no signal detected.
7. All transceiver specifications are compliant with a power supply sinusoidal modulation of 20 Hz to 1.5 MHz up to specified value applied through the power supply filtering network shown on page 23 of the Small Form-factor Pluggable (SFP) Transceiver MultiSource Agreement (MSA), September 14, 2000.

**IV. Optical Characteristics (T<sub>OP</sub> = -40 to 85°C, V<sub>CC</sub> = 3.10 to 3.50 Volts)**

Parameter	Symbol	Min	Typ	Max	Unit	Ref.
<b>Transmitter</b>						
Output Opt. Pwr: 9/125 SMF	P <sub>OUT</sub>	-2		+3	dBm	1
Optical Wavelength	λ	1280		1335	nm	2
Spectral Width (-20dB)	σ			1	nm	
Optical Extinction Ratio	ER	9			dB	
Sidemode Suppression ratio	SSR <sub>min</sub>	30			dB	
Optical Rise/Fall Time	t <sub>r</sub> / t <sub>f</sub>			160	ps	3
Total Generated Transmitter Jitter (peak to peak)	J <sub>TXP-P</sub>			0.07	UI	
Total Generated Transmitter Jitter (rms)	J <sub>TXrms</sub>			0.007	UI	
<b>Receiver</b>						
Average Rx Sensitivity @ 2.67Gb/s	R <sub>SENS1</sub>	-9		-27	dBm	3
Average Rx Sensitivity @ OC-48	R <sub>SENS1</sub>	-9		-27	dBm	3
Average Rx Sensitivity @ 2X Fibre Channel	R <sub>SENS2</sub>	-9		-28	dBm	4
Average Rx Sensitivity @ Gigabit Ethernet	R <sub>SENS3</sub>	-9		-30	dBm	4
Average Rx Sensitivity @ OC-12	R <sub>SENS4</sub>	-9		-29	dBm	5
Average Rx Sensitivity @ OC-3	R <sub>SENS5</sub>	-15		-30	dBm	5
Optical Center Wavelength	λ <sub>C</sub>	1270		1600	nm	
LOS De-Assert	LOS <sub>D</sub>			-30	dBm	
LOS Assert	LOS <sub>A</sub>	-41			dBm	
LOS Hysteresis		0.5			dB	

Notes:

1. Class 1 Laser Safety per FDA/CDRH and EN (IEC) 60825 regulations.
2. Unfiltered, 20-80%
3. With worst-case extinction ratio. Measured with a PRBS 2<sup>31</sup>-1 test pattern interspersed with 72 consecutive ones and 72 consecutive zeros.
4. With worst-case extinction ratio. Measured with a PRBS 2<sup>7</sup>-1 test pattern.
5. With worst-case extinction ratio. Measured with a PRBS 2<sup>23</sup>-1 test pattern.

**V. General Specifications**

Parameter	Symbol	Min	Typ	Max	Units	Ref.
Data Rate	BR	155		2667	Mb/sec	1
Bit Error Rate	BER			$10^{-12}$		2
Max. Supported Link Length on 9/125 $\mu$ m SMF @ OC-48	L <sub>MAX1</sub>		45		km	3
Max. Supported Link Length on 9/125 $\mu$ m SMF @ 2X Fibre Channel	L <sub>MAX2</sub>		47		km	3
Max. Supported Link Length on 9/125 $\mu$ m SMF @ Gigabit Ethernet	L <sub>MAX3</sub>		50		km	3
Max. Supported Link Length on 9/125 $\mu$ m SMF @ OC-12	L <sub>MAX4</sub>		50		km	3
Max. Supported Link Length on 9/125 $\mu$ m SMF @ OC-3	L <sub>MAX5</sub>		50		km	3

**Notes:**

- SONET OC-48 LR-1/SDH STM L-16.1, Gigabit Ethernet and 1x/2x Fibre Channel compliant. Compatible with SONET OC-12 and OC-3. Supports FEC at 2.67Gb/s.
- Tested with a PRBS 2<sup>31</sup>-1 test pattern interspersed with 72 consecutive ones and 72 consecutive zeros.
- Attenuation of 0.55 dB/km is used for the link length calculations (per GR-253 CORE). Distances are indicative only. Please refer to the Optical Specifications in Table IV to calculate a more accurate link budget based on specific conditions in your application.

**VI. Environmental Specifications**

Finisar SFP transceivers have an industrial operating temperature range from -40°C to +85°C case temperature.

Parameter	Symbol	Min	Typ	Max	Units	Ref.
Case Operating Temperature	T <sub>op</sub>	-40		85	°C	
Storage Temperature	T <sub>sto</sub>	-40		85	°C	

**VII. Regulatory Compliance**

Finisar transceivers are Class 1 Laser Products and comply with US FDA regulations. These products are certified by TÜV and CSA to meet the Class 1 eye safety requirements of EN (IEC) 60825 and the electrical safety requirements of EN (IEC) 60950. Copies of certificates are available at Finisar Corporation upon request.

## VIII. Digital Diagnostic Functions

Finisar FTLF1721P2xTL SFP transceivers support the 2-wire serial communication protocol as defined in the SFP MSA<sup>1</sup>. It is very closely related to the E<sup>2</sup>PROM defined in the GBIC standard, with the same electrical specifications.

The standard SFP serial ID provides access to identification information that describes the transceiver's capabilities, standard interfaces, manufacturer, and other information.

Additionally, Finisar SFP transceivers provide a unique enhanced digital diagnostic monitoring interface, which allows real-time access to device operating parameters such as transceiver temperature, laser bias current, transmitted optical power, received optical power and transceiver supply voltage. It also defines a sophisticated system of alarm and warning flags, which alerts end-users when particular operating parameters are outside of a factory set normal range.

The SFP MSA defines a 256-byte memory map in E<sup>2</sup>PROM that is accessible over a 2-wire serial interface at the 8 bit address 1010000X (A0h). The digital diagnostic monitoring interface makes use of the 8 bit address 1010001X (A2h), so the originally defined serial ID memory map remains unchanged. The interface is identical to, and is thus fully backward compatible with both the GBIC Specification and the SFP Multi Source Agreement. The complete interface is described in Finisar Application Note AN-2030: "Digital Diagnostics Monitoring Interface for SFP Optical Transceivers".

The operating and diagnostics information is monitored and reported by a Digital Diagnostics Transceiver Controller (DDTC) inside the transceiver, which is accessed through a 2-wire serial interface. When the serial protocol is activated, the serial clock signal (SCL, Mod Def 1) is generated by the host. The positive edge clocks data into the SFP transceiver into those segments of the E<sup>2</sup>PROM that are not write-protected. The negative edge clocks data from the SFP transceiver. The serial data signal (SDA, Mod Def 2) is bi-directional for serial data transfer. The host uses SDA in conjunction with SCL to mark the start and end of serial protocol activation. The memories are organized as a series of 8-bit data words that can be addressed individually or sequentially.

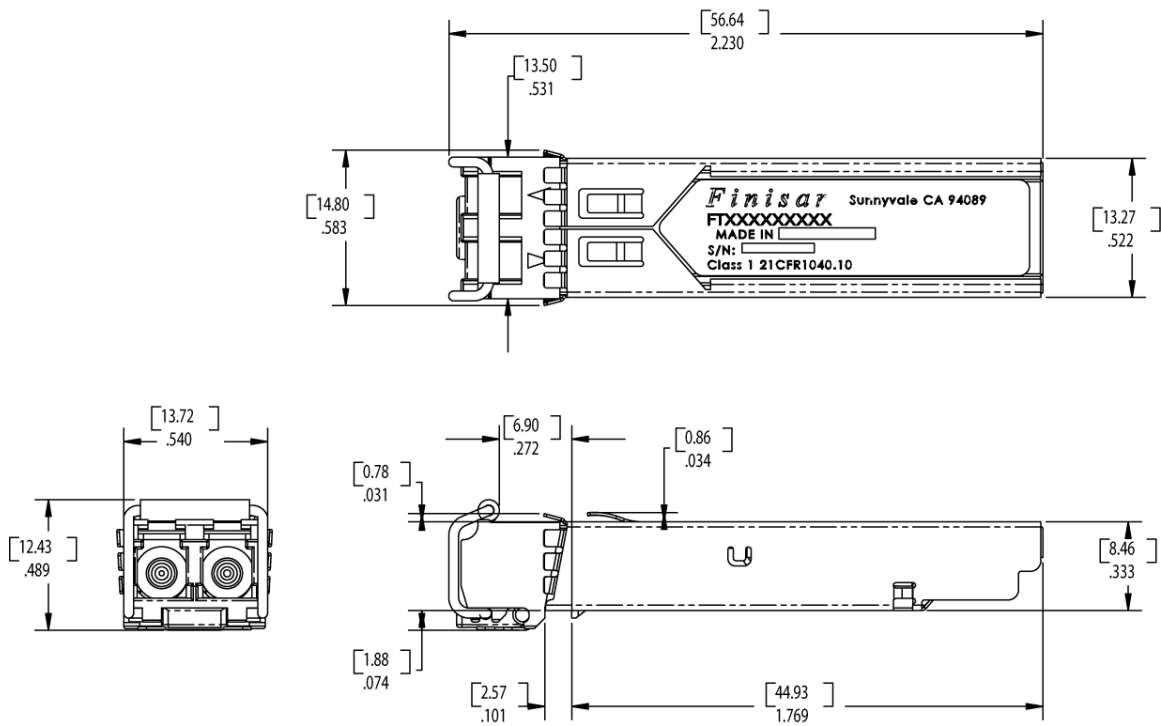
For more information, please see the SFP MSA documentation<sup>1</sup> or Finisar Application Note AN-2030.

Digital diagnostics for the FTLF1721P2xTL are externally calibrated by default.

Please note that evaluation board FDB-1018 is available with Finisar ModDEMO software that allows simple to use communication over the 2-wire serial interface.

**IX. Mechanical Specifications**

Finisar’s Small Form Factor Pluggable (SFP) transceivers are compatible with the dimensions defined by the SFP Multi-Sourcing Agreement (MSA)<sup>3</sup>.

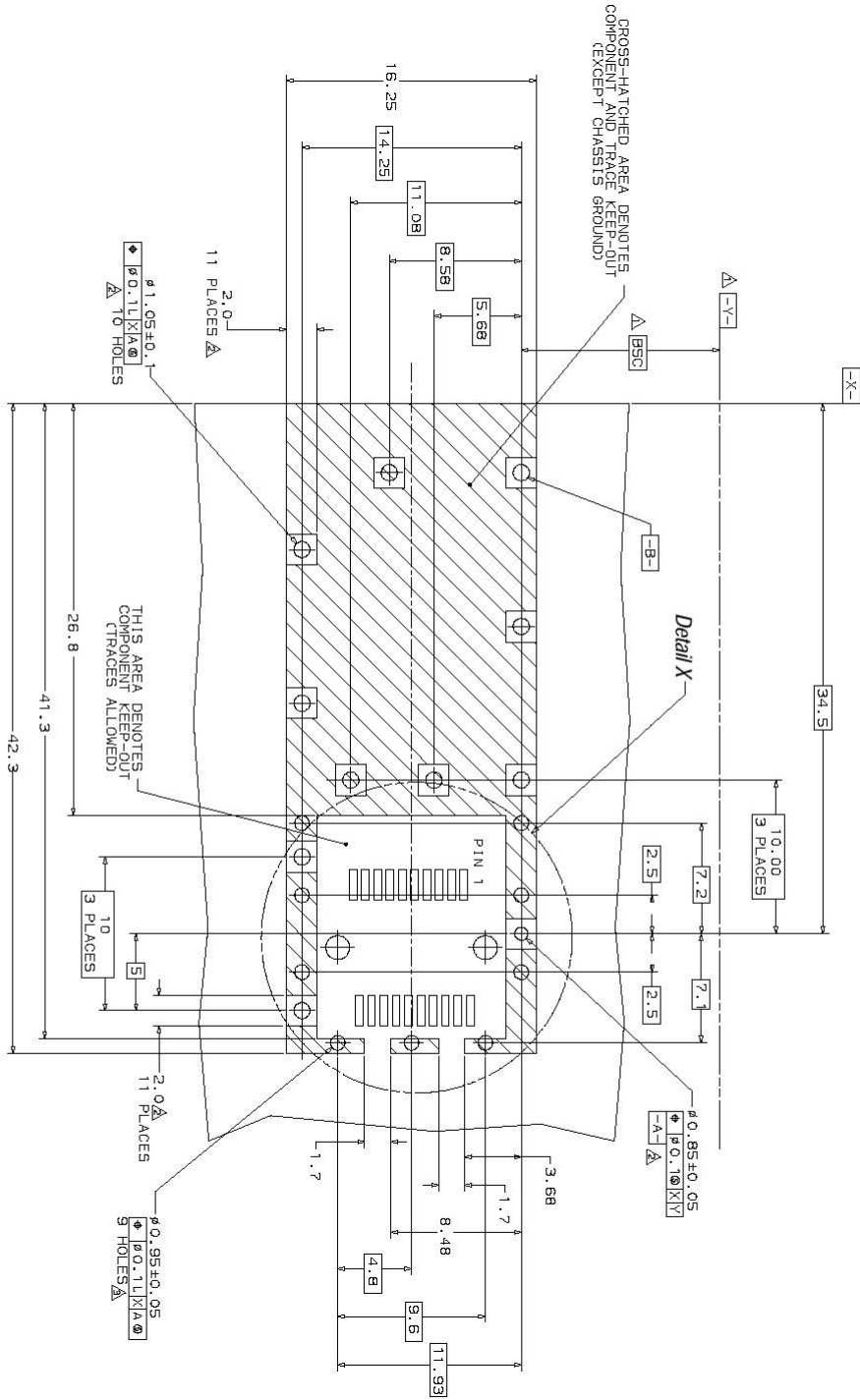


**FTLF1721P2BTL**





**X. PCB Layout and Bezel Recommendations**



- △ Datum and Basic Dimension Established by Customer
- △ Pads and Vias are Chassis Ground, 11 Places
- △ Through Holes are Unplated



**XI. References**

1. Small Form Factor Pluggable (SFP) Transceiver Multi-Source Agreement (MSA), September 2000. Documentation is currently available at Finisar upon request.
2. Bellcore GR-253 and ITU-T G.957 Specifications (Transmitter Optical Output Power complies with SONET OC-48 requirements only).
3. IEEE Std 802.3, 2002 Edition, Clause 38, PMD Type 1000BASE-LX. IEEE Standards Department, 2002. (\*)
4. “Fibre Channel Draft Physical Interface Specification (FC-PI-2 Rev. 7.0)”. American National Standard for Information Systems. (\*)
5. Directive 2002/95/EC of the European Council Parliament and of the Council, “on the restriction of the use of certain hazardous substances in electrical and electronic equipment.” January 27, 2003.

(\*) Neither IEEE 802.3 nor FC-PI-2 Rev. 7.0 specifies a 1310nm DFB single mode interface. The FTLF1721P2xTL complies with these specifications except for transmitter wavelength, receiver sensitivity, and transmit output power. See Section IV for details.

**XII. For More Information**

Finisar Corporation  
1308 Moffett Park Drive  
Sunnyvale, CA 94089-1133  
Tel. 1-408-548-1000  
Fax 1-408-541-6138  
[sales@finisar.com](mailto:sales@finisar.com)  
[www.finisar.com](http://www.finisar.com)

Компания «Life Electronics» занимается поставками электронных компонентов импортного и отечественного производства от производителей и со складов крупных дистрибьюторов Европы, Америки и Азии.

С конца 2013 года компания активно расширяет линейку поставок компонентов по направлению коаксиальный кабель, кварцевые генераторы и конденсаторы (керамические, пленочные, электролитические), за счёт заключения дистрибьюторских договоров

Мы предлагаем:

- Конкурентоспособные цены и скидки постоянным клиентам.
- Специальные условия для постоянных клиентов.
- Подбор аналогов.
- Поставку компонентов в любых объемах, удовлетворяющих вашим потребностям.
- Приемлемые сроки поставки, возможна ускоренная поставка.
- Доставку товара в любую точку России и стран СНГ.
- Комплексную поставку.
- Работу по проектам и поставку образцов.
- Формирование склада под заказчика.
- Сертификаты соответствия на поставляемую продукцию (по желанию клиента).
- Тестирование поставляемой продукции.
- Поставку компонентов, требующих военную и космическую приемку.
- Входной контроль качества.
- Наличие сертификата ISO.

В составе нашей компании организован Конструкторский отдел, призванный помогать разработчикам, и инженерам.

Конструкторский отдел помогает осуществить:

- Регистрацию проекта у производителя компонентов.
- Техническую поддержку проекта.
- Защиту от снятия компонента с производства.
- Оценку стоимости проекта по компонентам.
- Изготовление тестовой платы монтаж и пусконаладочные работы.



Тел: +7 (812) 336 43 04 (многоканальный)

Email: [org@lifeelectronics.ru](mailto:org@lifeelectronics.ru)