

# LM8328 Mobile I/O Companion Supporting Keypad, I/O Expansion, PWM, and ACCESS.bus Host Interface

Check for Samples: [LM8328](#)

## FEATURES

### • KEY FEATURES

- Internal RC Oscillator, No External Clock Required
- Internal PWM Clock Generation, No External Clock Required
- External Reset for System Control
- Programmable I<sup>2</sup>C-compatible ACCESS.bus Address (Default 0x88)
- Support for Keypad Matrices of up to of 8 x 12 Keys, Plus 8 Special Function (SF) Keys, for a Full 104 Key Support
- I<sup>2</sup>C-compatible ACCESS.bus Slave Interface at 100 kHz (Standard-Mode) and 400 kHz (Fast-Mode)
- Three Host-programmable PWM Outputs for Smooth LED Brightness Modulation
- Supports General-purpose I/O Expansion on Pins Not Otherwise Used for Keypad or PWM Output
- 15 byte Key Event Buffer
- Multiple Key Event Storage
- Key Events, Errors, and Dedicated Hardware Interrupts Request Host Service by Asserting an IRQ Output
- Automatic HALT Mode for Low Power Operation
- Wake-up from HALT Mode on Any Interface (Rising Edge, Falling Edge or Pulse)
- Three PWM Outputs with Dedicated Script Buffer for up to 32 Commands
- Register-based Command Interpreter with Auto Increment Address

### • HOST-CONTROLLED FEATURES

- Reset Input for System Control
- PWM Scripting for Three PWM Outputs
- Period of Inactivity that Triggers Entry into HALT Mode
- Debounce Time for Reliable Key Event Polling

- Configuration of General Purpose I/O Ports
- Various Initialization Options (Keypad Size, etc.)

### • KEY DEVICE FEATURES

- 1.8V ± 10% Single-supply Operation
- On-chip Power-on Reset (POR)
- Watchdog Timer
- -40°C to +85°C Temperature Range
- 25-pin DSBGA Package

## APPLICATIONS:

- Cordless Phones
- Smart Handheld Devices
- Keyboard Applications

## DESCRIPTION

The LM8328 GenI/O - Expander and Keypad Controller is a dedicated device to unburden a host processor from scanning a matrix-addressed keypad and to provide flexible and general purpose, host programmable input/output functions. Three independent PWM timer outputs are provided for dynamic LED brightness modulation.

It communicates with a host processor through an I<sup>2</sup>C-compatible ACCESS.bus serial interface. It can communicate in Standard (100 kHz) - and Fast-Mode (400 kHz) in slave Mode only.

All available input/output pins can alternately be used as an input or an output in a keypad matrix or as a host programmable general purpose input or output.

Any pin programmed as an input can also sense hardware interrupts. The interrupt polarity (“high to low” or “low to high” transition) is thereby programmable.

The LM8328 follows a predefined register based set of commands. Upon start-up (power - on) a configuration file must be sent from the host to setup the hardware of the device.



Please be aware that an important notice concerning availability, standard warranty, and use in critical applications of Texas Instruments semiconductor products and disclaimers thereto appears at the end of this data sheet.

All trademarks are the property of their respective owners.

**LM8328 FUNCTION BLOCKS**



**PIN ASSIGNMENTS**



Figure 1. LM8328 Pinout - Top View (balls underneath): Y = Outputs; X = Inputs

## SIGNAL DESCRIPTIONS

### DEVICE PIN FUNCTIONS

#### KEY AND ALTERNATE FUNCTIONS OF ALL DEVICE PINS

Ball	Function 0	Function 1	Function 2	Function 3	Pin Count	Ball Name
C1	Reset Active Low Input				1	RESETN
C4	Supply Voltage				1	VCC
D1	Main I <sup>2</sup> C - Clk				1	SCL
E1	Main I <sup>2</sup> C - Data				1	SDA
A5	Keypad-I/O X0	Genio0			1	KPX0
B4	Keypad-I/O X1	Genio1			1	KPX1
D2	Keypad-I/O X2	Genio2			1	KPX2
E2	Keypad-I/O X3	Genio3			1	KPX3
A1	Keypad-I/O X4	Genio4			1	KPX4
B1	Keypad-I/O X5	Genio5			1	KPX5
A3	Keypad-I/O X6	Genio6			1	KPX6
A4	Keypad-I/O X7	Genio7			1	KPX7
D5	Keypad-I/O Y0	Genio8			1	KPY0
C5	Keypad-I/O Y1	Genio9			1	KPY1
B5	Keypad-I/O Y2	Genio10			1	KPY2
D4	Keypad-I/O Y3	Genio11			1	KPY3
B2	Keypad-I/O Y4	Genio12			1	KPY4
A2	Keypad-I/O Y5	Genio13			1	KPY5
B3	Keypad-I/O Y6	Genio14			1	KPY6
C2	Keypad-I/O Y7	Genio15			1	KPY7
D3	Keypad-I/O Y8	Genio16	ClockOut	PWM2	1	KPY8
						PWM2
E4	Keypad-I/O Y9	Genio17		PWM1	1	KPY9
						PWM1
E5	Keypad-I/O Y10	Genio18		PWM0	1	KPY10
						PWM0
E3	Interrupt	Keypad-I/O Y11	Genio19	PWM2	1	IRQN
						KPY11
						PWM2
C3	Ground				1	GND
	TOTAL				25	

### PIN CONFIGURATION AFTER RESET

Upon power-up or RESET the LM8328 will have defined states on all pins. Pin configuration after reset provides a comprehensive overview on the states of all functional pins.

**PIN CONFIGURATION AFTER RESET**

<b>Pins</b>	<b>Pin States</b>
KPX0 KPX1 KPX2 KPX3 KPX4 KPX5 KPX6 KPX7	Full Buffer mode with an on-chip pull up resistor enabled.
KPY0 KPYP1 KPYP2 KPYP3 KPYP4 KPYP5 KPYP6 KPYP7 KPY8 / PWM2 KPY9 / PWM1 KPY10 / PWM0	Full Buffer mode with an on-chip pull down resistor enabled.
KPY11 / IRQN / PWM2	Open Drain mode with no pull resistor enabled, driven low (IRQN). <sup>(1)</sup>
SCL SDA	Open Drain mode with no pull resistor enabled.

(1) The IRQN is driven low after Power-On Reset due to PORIRQ signal. The value 0x01 must be written to the RSTINTCLR register (0x84) to release the IRQN pin.

## TYPICAL APPLICATION SETUP

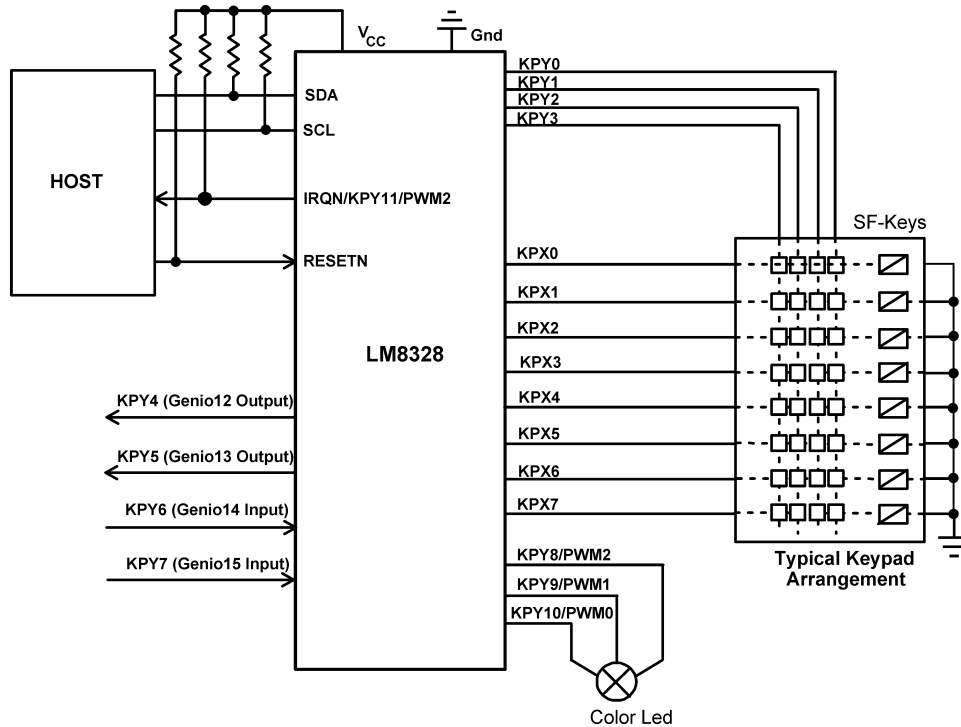


Figure 2. LM8328 in a Typical Setup with Standard Handset Keypad

## FEATURES

The following features are supported with the application example shown in example above:

### Hardware

Hardware

- 4 x 8 keys and 8 Special Function (SF) keys for 40 keys.
- ACCESS.bus interface for communication with a host device.
  - - communication speeds supported are: 100 kHz and 400 kHz fast mode of operation.
- Interrupt signal (IRQN) to indicate any keypad or hardware interrupt events to the host.
- Sophisticated PWM function block with 3 independent channels to control color LED.
- External reset input for system control.
- Two host programmable dedicated general-purpose output pins (GPIOs) supporting IO-expansion capabilities for host device.
- Two host programmable dedicated general-purpose input pins with wake-up supporting IO-expansion capabilities for host device.

### Communication Layer

- Versatile register-based command integration supported from on-chip command interpreter.
- Keypad event storage.
- Individual PWM script file storage and execution control for 3 PWM channels.

## HALT MODE

### HALT MODE DESCRIPTION

The fully static architecture of the LM8328 allows stopping the internal RC clock in Halt mode, which reduces power consumption to the minimum level. Figure 3 shows the current in Halt mode at the maximum VCC (1.98V) from 25°C to +85°C.

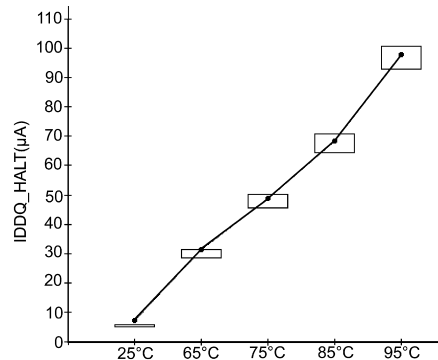


Figure 3. Halt Current vs. Temperature at 1.98V

Halt mode is entered when no key-press event, key-release event, or ACCESS.bus activity is detected for a certain period of time (by default, 1020 milliseconds). The mechanism for entering Halt mode is always enabled in hardware, but the host can program the period of inactivity which triggers entry into Halt mode using the autosleep function. (See Table 47.)

### ACCESS.BUS ACTIVITY

When the LM8328 is in Halt mode, only activity on the ACCESS.bus interface that matches its Slave Address will cause the LM8328 to exit from Halt mode. However, the LM8328 will not be able to acknowledge the first bus cycle immediately following wake-up from Halt mode. It will respond with a negative acknowledgement, and the host should then repeat the cycle. A peripheral that is continuously active can share the bus since this activity will not prevent the LM8328 from entering Halt mode.

## LM8328 PROGRAMMING INTERFACE

The LM8328 operation is controlled from a host device by a complete register set, accessed via the I<sup>2</sup>C-compatible ACCESS.bus interface. The ACCESS.bus communication is based on a READ/WRITE structure, following the I<sup>2</sup>C transmission protocol. All functions can be controlled by configuring one or multiple registers. Please refer to [LM8328 REGISTER SET](#) for the complete register set.

### ACCESS.BUS COMMUNICATION

Figure 4 shows a typical read cycle initiated by the host.)

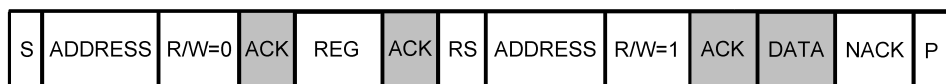


Figure 4. Master/Slave Serial Communication (Host to LM8328)

**Table 1. Definition of Terms used in Serial Command Example**

Term	Bits	Description
S		START Condition (always generated from the master device)
ADDRESS	7	Slave address of LM8328 sent from the host
R/W	1	This bit determines if the following data transfer is from master to slave (data write) or from slave to master (data read). 0: Write 1: Read
ACK	1	An acknowledge bit is mandatory and must be appended on each byte transfer. The Acknowledge status is actually provided from the slave and indicates to the master, that the byte transfer was successful.
REG	8	The first byte after sending the slave address is the REGISTER byte which contains the physical address the host wants to read from or write to.
RS		Repeated START condition
DATA	8	The DATA field contains information to be stored into a register or information read from a register.
NACK	1	Not Acknowledge Bit. The Not Acknowledge status is assigned from the Master receiving data from a slave. The NACK status will actually be assigned from the master in order to signal the end of a communication cycle transfer
P		STOP condition (always generated from the master device)

All actions associated with the non-shaded boxes in Figure 4 are controlled from the master (host) device.

All actions associated with the shaded boxes in Figure 4 are controlled from the slave (LM8328) device.

The master device can send subsequent REGISTER addresses separated by Repeated START conditions. A STOP condition must be set from the master at the very end of a communication cycle.

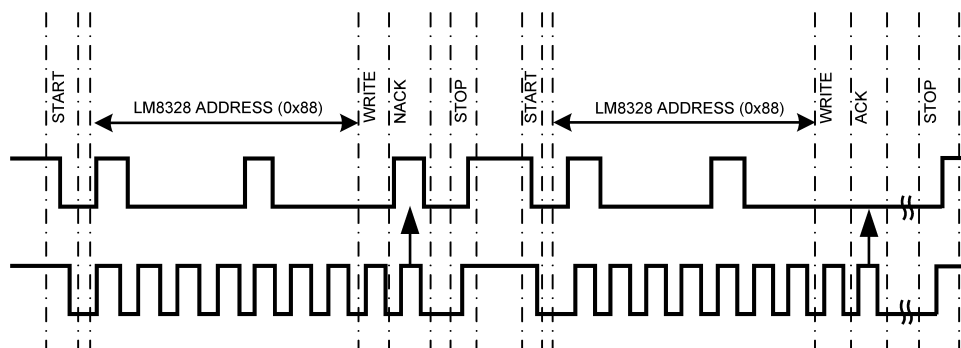
It is recommended to use Repeated START conditions in multi-Master systems when sending subsequent REGISTER addresses. This technique will make sure that the master device communicating with the LM8328 will not lose bus arbitration.

### Starting a Communication Cycle

There are two reasons for the host device to start communication to the LM8328:

1. The LM8328 device has set the IRQN line low in order to signal a key - event or any other condition which initializes a hardware interrupt from LM8328 to the host.
2. The host device wants to set a GENIO port, read from a GENIO port, configure a GENIO port, and read the status from a register or initialize any other function which is supported from the LM8328. In case a GENIO shall be read it will be most likely, that the LM8328 device will be residing in "sleep mode". In this mode the system clock will be off to establish the lowest possible current consumption. If the host device starts the communication under this condition the LM8328 device will not be able to acknowledge the first attempt of sending the slave address. The LM8328 will wake up because of the START condition but it can't establish the internal timing to scan the first byte received. The master device must therefore apply a second attempt to start the communication with the LM8328 device.

### Communication Initialized from Host (Restart from Sleep Mode)



**Figure 5. Host Starts Communication While LM8328 is in Sleep Mode**

- In the timing diagram shown in [Figure 5](#) the LM8328 resides in sleep mode. Since the LM8328 device can't acknowledge the slave address the host must generate a STOP condition followed by a second START condition.
- On the second attempt the slave address is being acknowledged from the LM8328 device because it is in active mode now.
- The host can send different WRITE and/or READ commands subsequently after each other.
- The host must finally free the bus by generating a STOP condition.

### **ACCESS.Bus Communication Flow**

The LM8328 will only be driven in slave mode. The maximum communication speed supported is Fast Mode (FS) which is 400 kHz. The device can be heavily loaded as it is processing different kind of events caused from the human interface and the host device. In such cases the LM8328 may temporarily be unable to accept new commands and data sent from the host device.

---

#### **NOTE**

"It is a legitimate measure of the slave device to hold SCL line low in such cases in order to force the master device into a waiting state. It is therefore the obligation of the host device to detect such cases. Typically there is a control bit set in the master device indicating the Busy status of the bus. As soon as the SCL line is released the host can continue sending commands and data."

---

#### **Further Remarks:**

- In systems with multiple masters it is recommended to separate commands with Repeat START conditions rather than sending a STOP - and another START - condition to communicate with the LM8328 device.
- Delays enforced by the LM8328 during very busy phases of operation should typically not exceed a duration of 100 usec.
- Normally the LM8328 will clock stretch after the acknowledge bit is transmitted; however, there are some conditions where the LM8328 will clock stretch between the SDA Start bit and the first rising edge of SCL.

#### **Auto Increment**

In order to improve multi-byte register access, the LM8328 supports the auto increment of the address pointer.

A typical protocol access sequence to the LM8328 starts with the I<sup>2</sup>C-compatible ACCESS.bus address, followed by REG, the register to access (see [Figure 4](#)). After a REPEATED START condition the host reads/writes a data byte from/to this address location. If more than one byte is transmitted, the LM8328 automatically increments the address pointer for each data byte by 1. The address pointer keeps the status until the STOP condition is received.

The LM8328 always uses auto increments unless otherwise noted.

Please refer to [Table 2](#) and [Table 3](#) for the typical ACCESS.bus flow of reading and writing multiple data bytes.

#### **Reserved Registers and Bits**

The LM8328 includes reserved registers for future implementation options. Please use value 0 on a write to all reserved register bits.

#### **Global Call Reset**

The LM8328 supports the Global Call Reset as defined in the I<sup>2</sup>C Specification, which can be used by the host to reset all devices connected to interface. The Global call reset is a single byte ACCESS.bus/I<sup>2</sup>C write of data byte 0x06 to slave address 0x00.

The Global Call Reset changes the I<sup>2</sup>C-compatible ACCESS.bus Slave address of the LM8328 back to its default value of 0x88.



**Table 2. Multi-Byte Write with Auto Increment**

Step	Master/Slave	I <sup>2</sup> C Com.	Value	Address Pointer	Comment
1	M	S			START condition
2	M	ADDR.	0x88		I <sup>2</sup> C-compatible ACCESS.bus Address
3	M	R/W	0		Write
4	S	ACK			Acknowledge
5	M	REG	0xAA	0xAA	Register Address, used as Address Pointer
6	S	ACK		0xAA	Acknowledge
7	M	DATA	0x01	0xAA	Write Data to Address in Pointer
8	S	ACK	0	0xAB	Acknowledge, Address pointer incremented
9	M	DATA	0x05	0xAB	Write Data to address 0xAB
10	S	ACK	0	0xAC	Acknowledge, Address pointer incremented
11	M	P			STOP condition

**Table 3. Multi-Byte Read with Auto Increment**

Step	Master/Slave	I <sup>2</sup> C Com.	Value	Address Pointer	Comment
1	M	S			START condition
2	M	ADDR.	0x88		I <sup>2</sup> C-compatible ACCESS.bus Address
3	M	R/W	0		Write
4	S	ACK			Acknowledge
5	M	REG	0xAA	0xAA	Register Address, used as Address pointer
6	S	ACK		0xAA	Acknowledge
7	M	RS		0xAA	Repeated Start
8	M	ADDR.	0x88	0xAA	I <sup>2</sup> C-compatible ACCESS.bus Address
9	M	R/W	1		Read
10	S	ACK	0	0xAA	Acknowledge
11	S	DATA	0x01	0xAA	Read Data from Address in Pointer
12	M	ACK	0	0xAB	Acknowledge, Address Pointer incremented
13	S	DATA	0x05	0xAB	Read Data from Address in Pointer
14	M	NACK	0	0xAC	No Acknowledge, stops transmission
15	M	P			STOP condition

## KEYSCAN OPERATION

### KEYSCAN INITIALIZATION

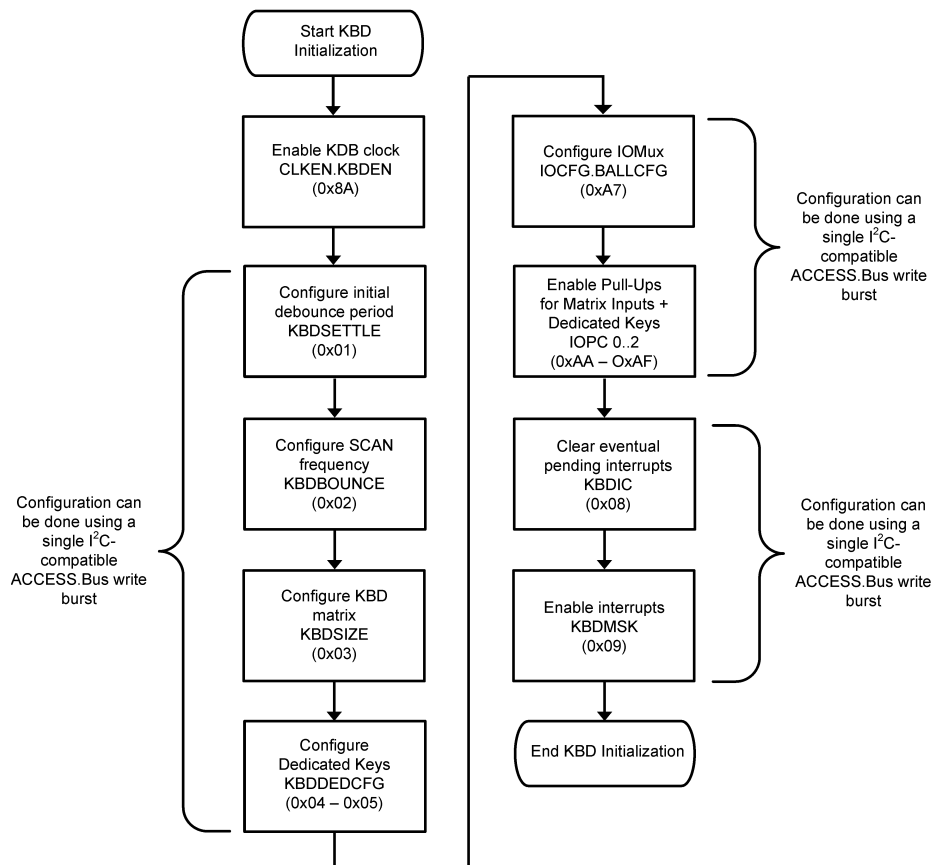


Figure 6. Keyscan Initialization

### KEYSCAN INITIALIZATION EXAMPLE

Table 4 shows all the LM8328 register configurations to initialize keyscan:

- Keypad matrix configuration is 8 rows x 8 columns.

Table 4. Keyscan Initialization Example

Register name	adress	Access Type	Value	Comment
CLKEN	0x8A	byte	0x01	enable keyscan clock
KBDSETTLE	0x01	byte	0x80	set the keyscan settle time to 12 msec
KBDBOUNCE	0x02	byte	0x80	set the keyscan debounce time to 12 msec
KBDSIZE	0x03	byte	0x88	set the keyscan matrix size to 8 rows x 8 columns
KBDEDCFG	0x04	word	0xFC3F	configure KPX[7:2] and KPY[7:2] pins as keyboard matrix
IOCFG	0xA7	byte	0xF8	write default value to enable all pins as keyboard matrix
IOPC0	0xAA	word	0xAAAA	configure pull-up resistors for KPX[7:0]
IOPC1	0xAC	word	0x5555	configure pull-down resistors for KPY[7:0]
KBDIC	0x08	byte	0x03	clear any pending interrupts
KBDMSK	0x09	byte	0x03	enable keyboard interrupts

## KEYSCAN PROCESS

The LM8328 keyscan functionality is based on a specific scanning procedure performed in a 4ms interval. On each scan all assigned key matrix pins are evaluated for state changes.

In case a key event has been identified, the event is stored in the key event FIFO, accessible via the EVTCODE register. A key event can either be a key press or a key release. In addition, key presses are also stored in the KBDCODE[3:0] registers. As soon as the EVTCODE FIFO includes a event, the device sets the RAW keyboard event interrupt REVTINT. The RSINT interrupt is set anytime the keyboard status has changed.

Depending on the interrupt masking for the keyboard events (KBDMSK) and the masked interrupt handling (KBDMIS), the pin IRQN/KPY11/PWM2 will follow the IRQST.KBDIRQ status, which is set as soon as one interrupt in KBDRIS is set.

Figure 7 shows the basic flow of a scanning process and which registers are affected.

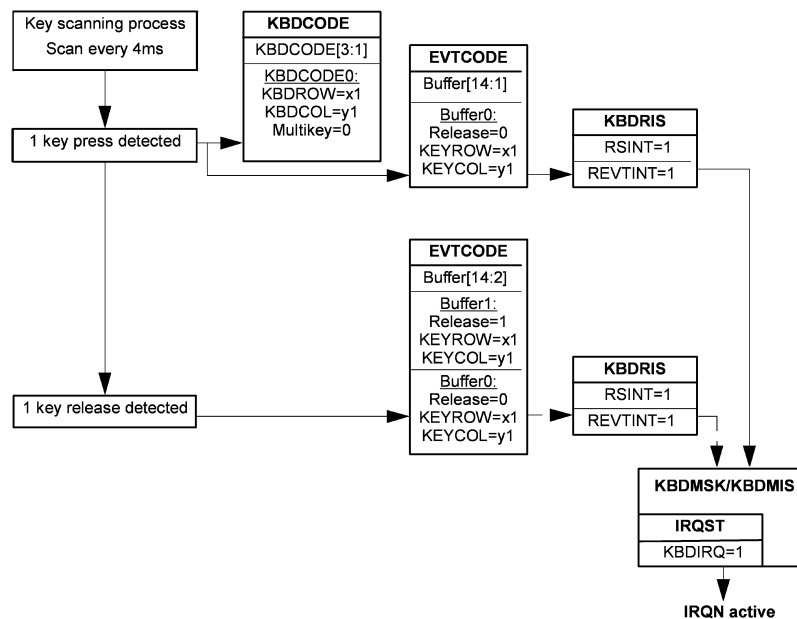


Figure 7. Example Keyscan Operation for 1 Key Press and Release

## READING KEYSKAN STATUS BY THE HOST

In order to keep track of the keyscan status, the host either needs to regularly poll the EVTCODE register or needs to react on the Interrupt signaled by the IRQN/KPY11/PWM2 pin, in case the ball is configured for interrupt functionality. (See [GPIO Feature Mapping](#)).

Figure 8 gives an example on which registers to read to get the keyboard events from the LM8328 and how they influence the interrupt event registers. The example is based on the assumption that the LM8328 has indicated the keyboard event by the IRQN/KPY11/PWM2 pin.

Since the interrupt pin has various sources, the host first checks the IRQST register for the interrupt source. If KBDIRQ is set, the host can check the KBDMIS register to define the exact interrupt source. KBDMIS contains the masked status of KBDRIS and reflects the source for raising the interrupt pin. The interrupt mask is defined by KBDMSK. The complete status of all pending keyboard interrupts is available in the raw interrupt register KBDRIS.

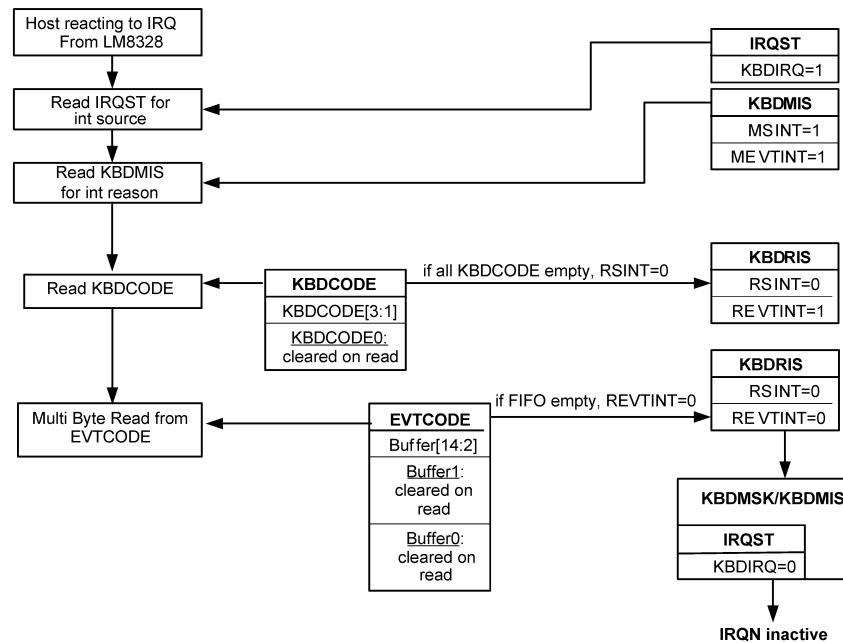
After evaluating the interrupt source the host starts reading the EVTCODE or KBDCODE register. In this example the host first reads the KBDCODE to get possible key press events and afterwards reads the complete event list by reading the EVTCODE register until all events are captured (0x7F indicates end of buffer).

Reading KBDCODE clears the RSINT interrupt bit if all keyboards events are emptied. In the same way, REVTINT is cleared in case the EVTCODE FIFO reaches its empty state on read.

The event buffer content and the REVTINT and RELINT (lost event) interrupt bits are also cleared if the KBDIC.EVTIC bit is set.

Interrupt bits in the masked interrupt register KBDMIS follow the masked KBDRIS status.

In order to support efficient Multi-byte reads from EVTCODE, the autoincrement feature is turned off for this register. Therefore the host can continuously read the complete EVTCODE buffer by sending one command.



**Figure 8. Example Host Reacting to Interrupt for Keypad Event**

## MULTIPLE KEY PRESSES

The LM8328 supports up to four simultaneous key presses. Any time a single key is pressed KBDCODE0 is set with the appropriate key code. If a second key is pressed, the key is stored in KBDCODE1 and the MULTIKEY flag of KBDCODE0 is set. Additional key presses are stored in KBDCODE2 and KBDCODE3 accordingly. The four registers signal the last multi key press events.

All events are stored in parallel in the EVTCODE register for the complete set of events.

All KBDCODE[3:0] registers are cleared on read.

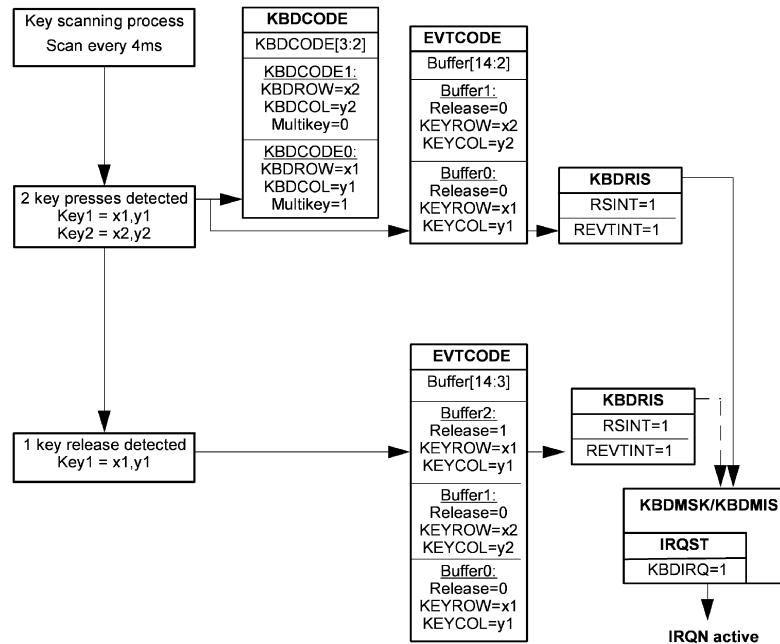


Figure 9. Example Keyscan Operation for 2 Key Press Events and 1 Key Release Event

## PWM TIMER

The LM8328 supports a timer module dedicated to smooth LED control techniques (lighting controls).

The PWM timer module consists of three independent timer units of which each can generate a PWM output with a fixed period and automatically incrementing or decrementing variable duty cycle. The timer units are all clocked with a slow (32.768 kHz) clock whereas the interface operates with the main system clock.

## OVERVIEW OF PWM FEATURES

- Each PWM can establish fixed — or variable — duty-cycle signal sequences on its output.
- Each PWM can trigger execution of any pre-programmed task on another PWM channel.
- The execution of any pre-programmed task is self-sustaining and does not require further interaction from the host.
- 64-byte script buffer for each PWM for up to 32 consecutive instructions.
- Direct addressing within script buffer to support multiple PWM tasks in one buffer.

## OVERVIEW ON PWM SCRIPT COMMANDS

The commands listed in [Table 5](#) are dedicated to the slow PWM timers.

### NOTE

The PWM Script commands are not part of the command set supported by the LM8328 command interpreter. These commands must be transferred from the host with help of the register-based command set.

**Table 5. PWM Script Commands**

Command	15	14	13	12	11	10	9	8	7	6	5	4	3	2	1	0	
RAMP	0	PRESCALE	STEPTIME					SIGN	INCREMENT								
SET_PWM	0	1	0					PWMVALUE									
GO_TO_ START	0																
BRANCH	1	0	1	LOOPCOUNT					ADDR	STEPNUMBER							
END	1	1	0	1	INT	X											
TRIGGER	1	1	1	WAITTRIGGER					SENDTRIGGER							0	

**RAMP COMMAND**

A RAMP command will vary the duty cycle of a PWM output in either direction (up or down). The INCREMENT field specifies the amount of steps for the RAMP. The maximum amount of steps which can be executed with one RAMP Command is 126 which is equivalent to 50%. The SIGN bit field determines the direction of a RAMP (up or down). The STEPTIME field and the PRESCALE bit determine the duration of one step. Based on a 32.768 kHz clock, the minimum time resulting from these options would be 0.49 milliseconds and the maximum time for one step would be 1 second.

**Table 6. RAMP Command Bit and Building Fields**

15	14	13	12	11	10	9	8	7	6	5	4	3	2	1	0	
0	PRESCALE	STEPTIME					SIGN	INCREMENT								

**Table 7. Description of Bit and Building Fields of the RAMP Command**

Bit or Field	Value	Description
PRESCALE	0	Divide the 32.768 kHz clock by 16
	1	Divide the 32.768 kHz clock by 512
STEPTIME	1 - 63	Number of prescaled clock cycles per step
SIGN	0	Increment ramp counter
	1	Decrement ramp counter
INCREMENT	0 - 126	Number of steps executed by this instruction; a value of 0 functions as a WAIT determined by STEPTIME.

**SET\_PWM COMMAND**

The SET\_PWM command will set the starting duty cycle MIN SCALE or FULL SCALE (0% or 100%). A RAMP command following the SET\_PWM command will finally establish the desired duty cycle on the PWM output.

**Table 8. SET\_PWM Command Bit and Building Fields**

15	14	13	12	11	10	9	8	7	6	5	4	3	2	1	0
0	1	0	0	0	0	0	0	DUTYCYCLE							

**Table 9. Description of Bit and Building Fields of the SET\_PWM Command**

Bit or Field	Value	Description
DUTYCYCLE	0	Duty cycle is 0%.
	255	Duty cycle is 100%.

**GO\_TO\_START COMMAND**

The GO\_TO\_START command jumps to the first command in the script command file.

**Table 10. GO\_TO\_START Command Bit and Building Fields**

15	14	13	12	11	10	9	8	7	6	5	4	3	2	1	0
0															

**BRANCH COMMAND**

The BRANCH command jumps to the specified command in the script command file. The branch is executed with either absolute or relative addressing. In addition, the command gives the option of looping for a specified number of repetitions.

---

**NOTE**

Nested loops are not allowed.

---

**Table 11. BRANCH Command Bit and Building Fields**

15	14	13	12	11	10	9	8	7	6	5	4	3	2	1	0
1	0	1	LOOPCOUNT					ADDR	STEPNUMBER						

**Table 12. Description of Bit and Building Fields of the BRANCH Command**

Bit or Field	Value	Description
LOOPCOUNT	0	Loop until a STOP PWM SCRIPT command is issued by the host.
	1 - 63	Number of loops to perform.
ADDR	0	Absolute addressing
	1	Relative addressing
STEPNUMBER	0 - 63	Depending on ADDR: ADDR=0: Addr to jump to ADDR=1: Number of backward steps

**TRIGGER COMMAND**

Triggers are used to synchronize operations between PWM channels. A TRIGGER command that sends a trigger takes sixteen 32.768 kHz clock cycles, and a command that waits for a trigger takes at least sixteen 32.768 kHz clock cycles.

A TRIGGER command that waits for a trigger (or triggers) will stall script execution until the trigger conditions are satisfied. On trigger it will clear the trigger(s) and continue to the next command.

When a trigger is sent, it is stored by the receiving channel and can only be cleared when the receiving channel executes a TRIGGER command that waits for the trigger.

**Table 13. TRIGGER Command Bit and Building Fields**

15	14	13	12	11	10	9	8	7	6	5	4	3	2	1	0
1	1	1	WAITTRIGGER					SENDTRIGGER							0

**Table 14. Description of Bit and Building Fields**

Field	Value	Description
WAITTRIGGER	000xx1	Wait for trigger from channel 0
	000x1x	Wait for trigger from channel 1
	0001xx	Wait for trigger from channel 2
SENDTRIGGER	000xx1	Send trigger to channel 0
	000x1x	Send trigger to channel 1
	0001xx	Send trigger to channel 2

**END COMMAND**

The END command terminates script execution. It will only assert an interrupt to the host if the INT bit is set to “1”.

When the END command is executed, the PWM output will be set to the level defined by PWMCFG.PWMPOL for this channel. Also, the script counter is reset back to the beginning of the script command buffer.

**NOTE**

If a PWM channel is waiting for the trigger (last executed command was "TRIGGER") and the script execution is halted then the "END" command can't be executed because the previous command is still pending. This is an exception - in this case the IRQ signal will not be asserted.

**Table 15. END Command Bit and Building Fields**

15	14	13	12	11	10	9	8	7	6	5	4	3	2	1	0
1	1	0	1	INT						0					

**Table 16. Description of Bit and Building Fields of the END Command**

Field	Value	Description
INT	0	No interrupt will be sent.
	1	Set TIMRIS.CDIRQ for this PWM channel to notify that program has ended.

**LM8328 REGISTER SET****KEYBOARD REGISTERS AND KEYBOARD CONTROL**

Keyboard selection and control registers are mapped in the address range from 0x01 to 0x10. This paragraph describes the functions of the associated registers down to the bit level.

***KBDSETTLE - Keypad Settle Time Register*****Table 17. KBDSETTLE - Keypad Settle Time Register**

Register - Name	Address	Type	Register Function
KBDSETTLE	0x01	R/W	Initial time for keys to settle, before the key-scan process is started.
Bit - Name	Bit	Default	Bit Function
WAIT[7:0]	7:0	0x80	The default value 0x80 : 0xBF sets a time target of 12 msec Further time targets are as follows: 0xC0 - 0xFF: 16 msec 0x80 - 0xBF: 12 msec 0x40 - 0x7F: 8 msec 0x01 - 0x3F: 4 msec 0x00 : no settle time

***KBDBOUNCE - Debounce Time Register*****Table 18. KBDBOUNCE - Debounce Time Register**

Register - Name	Address	Type	Register Function
KBDBOUNCE	0x02	R/W	Time between first detection of key and final sampling of key
Bit - Name	Bit	Default	Bit Function



**Table 18. KBDBOUNCE - Debounce Time Register (continued)**

Register - Name	Address	Type	Register Function
WAIT[7:0]	7:0	0x80	The default value 0x80 : 0xBF sets a time target of 12 msec Further time targets are as follows: 0xC0 - 0xFF: 16 msec 0x80 - 0xBF: 12 msec 0x40 - 0x7F: 8 msec 0x01 - 0x3F: 4 msec 0x00: no debouncing time

**KBDSIZE - Set Keypad Size Register**
**Table 19. KBDSIZE - Set Keypad Size Register**

Register - Name	Address	Type	Register Function
KBDSIZE	0x03	R/W	Defines the physical keyboard matrix size
Bit - Name	Bit	Default	Bit Function
ROWSIZE[3:0]	7:4	0x2	Number of rows in the keyboard matrix 0x0: free all rows to become GPIO, KPX[1:0] used as dedicated key inputs if scanning is enabled by CLKEN.KBEN 0x1: (illegal value) 0x2 - 0x8: Number of rows in the matrix
COLSIZE[3:0]	3:0	0x2	Number of columns in the keyboard matrix 0x0: free all rows to become GPIO, KPY[1:0] used as dedicated key inputs if scanning is enabled by CLKEN.KBEN 0x1: (illegal value) 0x2 - 0xC: Number of columns in the matrix

**KBDEDCFG - Dedicated Key Register**
**Table 20. KBDEDCFG - Dedicated Key Register**

Register - Name	Address	Type	Register Function
KBDEDCFG	0x04	R/W	Defines if a key is used as a standard keyboard/GPIO pin or whether it is used as dedicated key input.
Bit - Name	Bit	Default	Bit Function
ROW[7:2]	15:10	0x3F	Each bit in ROW [7:2] corresponds to ball KPX7 : KPX2. Bit=0: the dedicated key function applies. Bit=1: no dedicated key function is selected. The standard GPIO functionality applies according to register IOCFG or defined keyboard matrix.
COL[11:10]	9:8	0x03	Each bit in COL [11:10] corresponds to ball KPY11 : KPY10. Bit=0: the dedicated key function applies. Bit=1: no dedicated key function is selected. The standard GPIO functionality applies according to register IOCFG or defined keyboard matrix.
COL[9:2]	7:0	0xFF	Each bit in COL [9:2] corresponds to ball KPY9 : KPY2 and can be configured individually. Bit=0: the dedicated key function applies. Bit=1: no dedicated key function is selected. The standard GPIO functionality applies according to register IOCFG or defined keyboard matrix.

***KBDRIS - Keyboard Raw Interrupt Status Register*****Table 21. KBDRIS - Keyboard Raw Interrupt Status Register**

Register - Name	Address	Type	Register Function
KBDRIS	0x06	R	Returns the status of stored keyboard interrupts.
Bit - Name	Bit	Default	Bit Function
(reserved)	7:4		(reserved)
RELINT	3	0x0	Raw event lost interrupt. More than 8 keyboard events have been detected and caused the event buffer to overflow. This bit is cleared by setting bit EVTIC of the KBDIC register.
REVTINT	2	0x0	Raw keyboard event interrupt. At least one key press or key release is in the keyboard event buffer. Reading from EVTICODE until the buffer is empty will clear this interrupt.
RKLINT	1	0x0	Raw key lost interrupt indicates a lost key-code. This interrupt is asserted when RSINT has not been cleared upon detection of a new key press or key release, or when more than 4 keys are pressed simultaneously.
RSINT	0	0x0	Raw scan interrupt. Interrupt generated after keyboard scan, if the keyboard status has changed.

***KBDMIS - Keypad Masked Interrupt Status Register*****Table 22. KBDMIS - Keypad Masked Interrupt Status Register**

Register - Name	Address	Type	Register Function
KBDMIS	0x07	R	Returns the status on masked keyboard interrupts after masking with the KBDMSK register.
Bit - Name	Bit	Default	Bit Functions
(reserved)	7:4		(reserved)
MELINT	3	0x0	Masked event lost interrupt. More than 8 keyboard events have been detected and caused the event buffer to overflow. This bit is cleared by setting bit EVTIC of the KBDIC register.
MEVTINT	2	0x0	Masked keyboard event interrupt. At least one key press or key release is in the keyboard event buffer. Reading from EVTICODE until the buffer is empty will clear this interrupt.
MKLINT	1	0x0	Masked key lost interrupt. Indicates a lost key-code. This interrupt is asserted when RSINT has not been cleared upon detection of a new key press or key release, or when more than 4 keys are pressed simultaneously.
MSINT	0	0x0	Masked scan interrupt. Interrupt generated after keyboard scan, if the keyboard status has changed, after masking process.

***KBDIC - Keypad Interrupt Clear Register*****Table 23. KBDIC - Keypad Interrupt Clear Register**

Register - Name	Address	Default	Register Function
KBDIC	0x08	W	Setting these bits clears Keypad active Interrupts
Bit - Name	Bit	Default	Bit Function

**Table 23. KBDIC - Keypad Interrupt Clear Register (continued)**

Register - Name	Address	Default	Register Function
SFOFF	7		Switches off scanning of special function (SF) keys, when keyboard has no special function layout. 0: keyboard layout and SF keys are scanned 1: only keyboard layout is scanned, SF keys are not scanned
(reserved)	6:2		(reserved)
EVTIC	1		Clear event buffer and corresponding interrupts REVTINT and RELINT by writing a 1 to this bit position
KBDIC	0		Clear RSINT and RKLINT interrupt bits by writing a 1 to this bit position.

**KBDMSK - Keypad Interrupt Mask Register**
**Table 24. KBDMSK - Keypad Interrupt Mask Register**

Register - Name	Address	Type	Register Function
KBDMSK	0x09	R/W	Configures masking of keyboard interrupts. Masked interrupts do not trigger an event on the Interrupt output. In case the interrupt processes registers KBDCODE[3:0], MSKELINT and MSKEINT should be set to 1. When the Event FIFO is processed, MSKLINT and MSKSINT should be set. For keyboard polling operations, all bits should be set and the polling operation consists of reading out the EVTCODE.
Bit - Name	Bit	Default	Bit Function
(reserved)	7:4		(reserved)
MSKELINT	3	0x0	0: keyboard event lost interrupt RELINT triggers IRQ line 1: keyboard event lost interrupt RELINT is masked
MSKEINT	2	0x0	0: keyboard event interrupt REVINT triggers IRQ line 1: keyboard event interrupt REVINT is masked
MSKLINT	1	0x1	0: keyboard lost interrupt RKLINT triggers IRQ line 1: keyboard lost interrupt RKLINT is masked
MSKSINT	0	0x1	0: keyboard status interrupt RSINT triggers IRQ line 1: keyboard status interrupt RSINT is masked

**KBDCODE0 - Keyboard Code Register 0**

The key code detected by the keyboard scan can be read from the registers KBDCODE0: KBDCODE3. Up to 4 keys can be detected simultaneously. Each KBDCODE register includes a bit (MULTIKEY) indicating if another key has been detected.

**NOTE**

Reading out all key code registers (KBDCODE0 to KBDCODE3) will automatically reset the keyboard scan interrupt RSINT the same way as an active write access into bit KBDIC of the interrupt clear register does. Reading 0x7F from the KBDCODE0 register means that no key was pressed.

**Table 25. KBDCODE0 - Keyboard Code Register 0**

Register - Name	Address	Default	Register Function
KBDCODE0	0x0B	R	Holds the row and column information of the first detected key
Bit - Name	Bit	Default	Bit Function
MULTIKEY	7	0x0	if this bit is 1 another key is available in KBDCODE1 register
KEYROW[2:0]	6:4	0x7	ROW index of detected key (0 to 7)
KEYCOL[3:0]	3:0	0xF	Column index of detected (0 to 11, 12 for special function key).

**KBDCODE1 - Keyboard Code Register 1****Table 26. KBDCODE1 - Keyboard Code Register 1**

Register - Name	Address	Default	Register Function
KBDCODE1	0x0C	R	Holds the row and column information of the second detected key
Bit - Name	Bit	Default	Bit Function
MULTIKEY	7	0x0	if this bit is 1 another key is available in KBDCODE2 register
KEYROW[2:0]	6:4	0x7	ROW index of detected key (0 to 7)
KEYCOL[3:0]	3:0	0xF	Column index of detected key (0 to 11, 12 for special function key).

**KBDCODE2 - Keyboard Code Register 2****Table 27. KBDCODE2 - Keyboard Code Register 2**

Register - Name	Address	Default	Register Function
KBDCODE2	0x0D	R	Holds the row and column information of the third detected key
Bit - Name	Bit	Default	Bit Function
MULTIKEY	7	0x0	if this bit is 1 another key is available in KBDCODE3 register
KEYROW[2:0]	6:4	0x7	ROW index of detected key (0 to 7)
KEYCOL[3:0]	3:0	0xF	Column index of detected key (0 to 11, 12 for special function key).

**KBDCODE3 - Keyboard Code Register 3****Table 28. KBDCODE3 - Keyboard Code Register 3**

Register - Name	Address	Default	Register Function
KBDCODE3	0x0E	R	Holds the row and column information of the fourth detected key
Bit - Name	Bit	Default	Bit Function
MULTIKEY	7	0x0	if this bit is set to "1" then more than 4 keys are pressed simultaneously.
KEYROW[2:0]	6:4	0x7	ROW index of detected key (0 to 7)
KEYCOL[3:0]	3:0	0xF	Column index of detected key (0 to 11, 12 for special function key).

**EVTCODE - Key Event Code Register****Table 29. EVTCODE - Key Event Code Register**

Register - Name	Address	Default	Bit Function
EVTCODE	0x10	R	With this register a FIFO buffer is addressed storing up to 15 consecutive events. Reading the value 0x7F from this address means that the FIFO buffer is empty. See further details below. NOTE: Auto increment is disabled on this register. Multi-byte read will always read from the same address.
Bit - Name	Bit	Default	Bit Function
RELEASE	7	0x0	This bit indicates, whether the keyboard event was a key press or a key release event. 0: key was pressed 1: key was released
KEYROW[2:0]	6:4	0x7	Row index of key that is pressed or released.
KEYCOL[3:0]	3:0	0xF	Column index of key that is pressed (0...11, 12 for special function key) or released.

## PWM TIMER CONTROL REGISTERS

The LM8328 provides three host-programmable PWM outputs useful for smooth LED brightness modulation. All PWM timer control registers are mapped in the range from 0x60 to 0x7F. This paragraph describes the functions of the associated registers down to the bit level.

### TIMCFGx - PWM Timer 0, 1 and 2 Configuration Registers

**Table 30. TIMCFGx - PWM Timer 0, 1 and 2 Configuration Registers**

Register - Name	Address	Type	Register Function
TIMCFG0	0x60	R/W	This register configures interrupt masking and handles PWM start/stop control of the associated PWM channel.
TIMCFG1	0x68		
TIMCFG2	0x70		
Bit - Name (x = 0, 1 or 2)	Bit	Default	Bit Function
CYCIRQxMSK	4	0x0	Interrupt mask for PWM CYCIRQx (see register <a href="#">TIMRIS</a> ) 0: interrupt enabled 1: interrupt masked
(reserved)	3:0	0x0	(reserved)

### PWMCFGx - PWM Timer 0, 1 and 2 Configuration Control Registers

**Table 31. PWMCFGx - PWM Timer 0, 1 and 2 Configuration Control Registers**

Register - Name	Address	Type	Register Function
PWMCFG0	0x61	R/W	This register defines interrupt masking and the output behavior for the associated PWM channel. PGE <sub>x</sub> is used to start and stop the PWM script execution. PWMEN <sub>x</sub> sets the PWM output to either reflect the generated pattern or the value configured in PWMPOL <sub>x</sub> .
PWMCFG1	0x69		
PWMCFG2	0x71		
Bit - Name (x = 0, 1 or 2)	Bit	Default	Bit Function
CDIRQxMSK	3	0x0	Mask for CDIRQ <sub>x</sub> 0: CDIRQ <sub>x</sub> enabled 1: CDIRQ <sub>x</sub> disabled/masked
PGE <sub>x</sub>	2	0x0	Pattern Generator Enable. Start/Stop PWM command processing for this channel. Script execution is started always from beginning. 0: Pattern Generator disabled 1: Pattern Generator enabled
PWMEN <sub>x</sub>	1	0x0	0: PWM disabled. PWM timer output assumes value programmed in PWMPOL. 1: PWM enabled
PWMPOL <sub>x</sub>	0	0x0	Off-state of PWM output, when PWMEN=0. 0: PWM off-state is low 1: PWM off-state is high

**TIMSWRES - PWM Timer Software Reset Registers****Table 32. TIMSWRES - PWM Timer Software Reset Registers**

Register - Name	Address	Type	Register Function
TIMSWRES	0x78	W	Reset control on all PWM timers A reset forces the pattern generator to fetch the first pattern and stops it. Each reset stops all state-machines and timer. Patterns stored in the pattern configuration register remain unaffected. Interrupts on each timer are not cleared, they need to be cleared writing into register TIMIC
Bit - Name	Bit	Default	Bit Function
(reserved)	7:3		(reserved)
SWRES2	2		Software reset of timer 2. 0: no action 1: Software reset on timer 2, needs not to be written back to 0.
SWRES1	1		Software reset of timer 1. 0: no action 1: Software reset on timer 1, needs not to be written back to 0.
SWRES0	0		Software reset of timer 0. 0: no action 1: software reset on timer 0, needs not to be written back to 0.

**TIMRIS - PWM Timer Interrupt Status Register****Table 33. TIMRIS - PWM Timer Interrupt Status Register**

Register - Name	Address	Type	Register Function
TIMRIS	0x7A	R	This register returns the raw interrupt status from the PMW timers 0,1 and 2. CYCIRQx - Interrupt from the timers when PWM cycle is complete (applies to the current PWM command residing in the active command register of a PWM block). CDIRQx - Interrupt from the pattern generator when PWM pattern code is complete (applies to a completed task residing in the script buffer of a PWM block).
Bit - Name	Bit	Default	Bit Functions
(reserved)	7:6		(reserved)
CDIRQ2	5	0x0	Raw interrupt status for CDIRQ timer2 0: no interrupt pending 1: unmasked interrupt generated
CDIRQ1	4	0x0	Raw interrupt status for CDIRQ timer1 0: no interrupt pending 1: unmasked interrupt generated
CDIRQ0	3	0x0	Raw interrupt status for CDIRQ timer0 0: no interrupt pending 1: unmasked interrupt generated
CYCIRQ2	2	0x0	Raw interrupt status for CYCIRQ timer2 0: no interrupt pending 1: unmasked interrupt generated
CYCIRQ1	1	0x0	Raw interrupt status for CYCIRQ timer1 0: no interrupt pending 1: unmasked interrupt generated

**Table 33. TIMRIS - PWM Timer Interrupt Status Register (continued)**

Register - Name	Address	Type	Register Function
CYCIRQ0	0	0x0	Raw interrupt status for CYCIRQ timer0 0: no interrupt pending 1: unmasked interrupt generated

**TIMMIS - PWM Timer Masked Interrupt Status Register**
**Table 34. TIMMIS - PWM Timer Masked Interrupt Status Register**

Register - Name	Address	Type	Register Function
TIMMIS	0x7B	R	This register returns the masked interrupt status from the PMW timers 0,1 and 2. The raw interrupt status (TIMRIS) is masked with the associated TIMCFGx.CYCIRQxMSK and PWMCFGx.CDIRQxMSK bits to get the masked interrupt status of this register. <b>CYCIRQ</b> - Interrupt from the timers when PWM cycle is complete (applies to the current PWM command residing in the active command register of a PWM block) <b>CDIRQ</b> - Interrupt from the pattern generator when PWM pattern code is complete (applies to a completed task residing in the script buffer of a PWM block)
Bit - Name	Bit	Default	Bit Function
(reserved)	7:6		(reserved)
CDIRQ2	5	0x0	Interrupt after masking, indicates active contribution to the interrupt ball, when set. Status for CDIRQ timer2. 0: no interrupt pending 1: interrupt generated
CDIRQ1	4	0x0	Interrupt after masking, indicates active contribution to the interrupt ball, when set. Status for CDIRQ timer1. 0: no interrupt pending 1: interrupt generated
CDIRQ0	3	0x0	Interrupt after masking, indicates active contribution to the interrupt ball, when set. Status for CDIRQ timer0. 0: no interrupt pending 1: interrupt generated
CYCIRQ2	2	0x0	Interrupt after masking, indicates active contribution to the interrupt ball, when set. Status for CYCIRQ timer2. 0: no interrupt pending 1: interrupt generated
CYCIRQ1	1	0x0	Interrupt after masking, indicates active contribution to the interrupt ball, when set. Status for CYCIRQ timer1. 0: no interrupt pending 1: interrupt generated
CYCIRQ0	0	0x0	Interrupt after masking, indicates active contribution to the interrupt ball, when set. Status for CYCIRQ timer0. 0: no interrupt pending 1: interrupt generated

**TIMIC - PWM Timer Interrupt Clear Register****Table 35. TIMIC - PWM Timer Interrupt Clear Register**

Register - Name	Address	Type	Register Function
TIMIC	0x7C	W	This register clears timer and pattern interrupts. CYCIRQ - Interrupt from the timers when PWM cycle is complete (applies to the current PWM command residing in the active command register of a PWM block). CDIRQ - Interrupt from the pattern generator when PWM pattern code is complete (applies to a completed task residing in the script buffer of a PWM block)
Bit - Name	Bit	Default	Bit Function
(reserved)	7:6		(reserved)
CDIRQ2	5		Clears interrupt CDIRQ timer2. 0: no effect 1: interrupt is cleared. Does not need to be written back to 0
CDIRQ1	4		Clears interrupt CDIRQ timer1. 0: no effect 1: interrupt is cleared. Does not need to be written back to 0
CDIRQ0	3		Clears interrupt CDIRQ timer0. 0: no effect 1: interrupt is cleared. Does not need to be written back to 0
CYCIRQ2	2		Clears interrupt CYCIRQ timer2. 0: no effect 1: interrupt is cleared. Does not need to be written back to 0
CYCIRQ1	1		Clears interrupt CYCIRQ timer1. 0: no effect 1: interrupt is cleared. Does not need to be written back to 0
CYCIRQ0	0		Clears interrupt CYCIRQ timer0. 0: no effect 1: interrupt is cleared. Does not need to be written back to 0

**PWMWP - PWM Timer Pattern Pointer Register****Table 36. PWMWP - PWM Timer Pattern Pointer Register**

Register - Name	Address	Type	Register Function
PWMWP	0x7D	R/W	Pointer to the pattern position inside the configuration register, which will be overwritten by the next write access to be PWMCFG register. NOTE: 1 pattern consist of 2 bytes and not the byte position (low or high). It is incremented by 1 every time a full PWMCFG register access (word) is performed.
Bit - Name	Bit	Default	Bit Function
(reserved)	7	0x0	(reserved)
POINTER[6:0]	6:0	0x0	0 ≤ POINTER < 32 : timer0 patterns 0 to 31 32 ≤ POINTER < 64 : timer1 patterns 0 to 31 64 ≤ POINTER < 96 : timer2 patterns 0 to 31 96 ≤ POINTER < 128: not valid



**PWMCFG - PWM Script Register**
**Table 37. PWMCFG - PWM Script Register**

Register - Name	Address	Type	Register Function
PWMCFG	0x7E	W	Two byte pattern storage register for a PWM script command indexed by PWMWP. PWMWP is automatically incremented. To be applied by two consecutive parameter bytes in one I <sup>2</sup> C Write Transaction. NOTE: Autoincrement is disabled on this register. Address will stay at 0x7E for each word access.
Bit - Name	Bit	Default	Bit Function
CMD[15:8]	15:8		High byte portion of a PWM script command
CMD[7:0]	7:0		Low byte portion of a PWM script command

**INTERFACE CONTROL REGISTERS**

The following section describes the functions of special control registers provided for the main controller.

The manufacturer code MFGCODE and the software revision number SWREV tell the main device which configuration file has to be used for this device.

**NOTE**

I2CSA and MFGCODE use the same address. They just differentiate in the access type:

- Write - I2CSA
- Read - MFGCODE

**I2CSA - I<sup>2</sup>C-Compatible ACCESS.bus Slave Address Register**
**Table 38. I2CSA - I<sup>2</sup>C-Compatible ACCESS.bus Slave Address Register**

Register - Name	Address	Type	Register Function
I2CSA	0x80	W	I <sup>2</sup> C-compatible ACCESS.bus Slave Address. The address is internally applied after the next I <sup>2</sup> C STOP.
Bit - Name	Bit	Default	Bit Function
SLAVEADDR[7:1]	7:1	0x44	7-bit address field for the I <sup>2</sup> C-compatible ACCESS.bus slave address.
(reserved)	0		(reserved)

**MFGCODE - Manufacturer Code Register**
**Table 39. MFGCODE - Manufacturer Code Register**

Register - Name	Address	Type	Register Function
MFGCODE	0x80	R	Manufacturer code of the LM8328
Bit - Name	Bit	Default	Bit Function
MFGBIT	7:0	0x00	8 - bit field containing the manufacturer code

**SWREV - Software Revision Register**
**Table 40. SWREV - Software Revision Register**

Register - Name	Address	Type	Register Function
SWREV	0x81	R	Software revision code of the LM8328. NOTE: writing the SW revision with the inverted value triggers a reset (see <a href="#">SWRESET</a> )

**Table 40. SWREV - Software Revision Register (continued)**

Register - Name	Address	Type	Register Function
Bit - Name	Bit	Default	Bit Function
SWBIT	7:0	0x84	8 - bit field containing the SW Revision number.

**SWRESET - Software Reset****Table 41. SWRESET - Software Reset Register**

Register - Name	Address	Type	Register Function
Bit - Name	Bit	Default	Bit Function
SWRESET	0x81	W	Software reset NOTE: the reset is only applied if the supplied parameter has the inverted value as SWBIT. Reading this register provides the software revision. (see <a href="#">SWREV</a> )
SWBIT	7:0		Reapply inverted value for software reset.

**RSTCTRL - System Reset Register**

This register allows to reset specific blocks of the LM8328. For global reset of the IOExpander the I<sup>2</sup>C command 'General Call reset' is used (see [Global Call Reset](#)). This will reset the slave address back to 0x88. During an active reset of a module, the LM8328 blocks the access to the module registers. A read will return 0, write commands are ignored.

**Table 42. RSTCTRL - System Reset Register**

Register - Name	Address	Type	Register Function
Bit - Name	Bit	Default	Bit Function
RSTCTRL	0x82	R/W	Software reset of specific parts of the LM8328
(reserved)	7:5		(reserved)
IRQRST	4	0x0	Interrupt controller reset. Does not change status on IRQN ball. Only controls IRQ module register. Interrupt status read out is not possible when this bit is set. 0: interrupt controller not reset 1: interrupt controller reset
TIMRST	3	0x0	Timer reset for Timers 0, 1, 2 0: timer not reset 1: timer is reset
(reserved)	2	0x0	(reserved)
KBDRST	1	0x0	Keyboard interface reset 0: keyboard is not reset 1: keyboard is reset
GPIRST	0	0x0	GENIO reset 0: GENIO not reset 1: GENIO is reset.

**RSTINTCLR - Clear NO Init/Power-On Interrupt Register****Table 43. RSTINTCLR - Clear NO Init/Power-On Interrupt Register**

Register - Name	Address	Type	Register Function
Bit - Name	Bit	Default	Bit Function
RSTINTCLR	0x84	W	This register allows to de-assert the POR/No Init Interrupt set every time the device returns from RESET (either POR, HW or SW Reset), the IRQN line is assigned active (low) and the IRQST.PORIRQ bit is set.

**Table 43. RSTINTCLR - Clear NO Init/Power-On Interrupt Register (continued)**

Register - Name	Address	Type	Register Function
reserved	7:1		(reserved)
IRQCLR	0		1: Clears the PORIRQ Interrupt signalled in IRQST register. 0: is ignored

**CLKMODE - Clock Mode Register**
**Table 44. CLKMODE - Clock Mode Register**

Register - Name	Address	Type	Register Function
CLKMODE	0x88	R/W	This register controls the current operating mode of the LM8328 device
Bit - Name	Bit	Default	Bit Function
(reserved)	7:2		(reserved)
MODCTL[1:0]	1:0	0x01	Writing to 00 forces the device to immediately enter sleep mode, regardless of any autosleep configuration. Reading this bit returns the current operating mode, which should always be 01. 00: SLEEP Mode 01: Operation Mode 1x: Future modes

**CLKEN - Clock Enable Register**
**Table 45. CLKEN - Clock Enable Register**

Register - Name	Address	Type	Register Function
CLKEN	0x8A	R/W	Controls the clock to different functional units. It shall be used to enable the functional blocks globally and independently.
Bit - Name	Bit	Default	Bit Function
(reserved)	7:3		(reserved)
TIMEN	2	0x0	PWM Timer 0, 1, 2 clock enable 0: Timer 0, 1, 2 clock disabled 1: Timer 0, 1, 2 clock enabled.
(reserved)	1		(reserved)
KBDEN	0	0x0	Keyboard clock enable (starts/stops key scan) 0: Keyboard clock disabled 1: Keyboard clock enabled

**AUTOSLIP - Autosleep Enable Register**
**Table 46. AUTOSLIP - Autosleep Enable Register**

Register - Name	Address	Type	Register Function
AUTOSLP	0x8B	R/W	This register controls the Auto Sleep function of the LM8328 device
Bit - Name	Bit	Default	Bit Function
(reserved)	7:1		(reserved)
ENABLE	0	0x00	Enables automatic sleep mode after a defined activity time stored in the AUTOSLPTI register 1: Enable entering auto sleep mode 0: Disable entering auto sleep mode

**AUTOSLPTI - Auto Sleep Time Register****Table 47. AUTOSLPTI - Auto Sleep Time Register**

Register - Name	Address	Type	Register Function
AUTOSLPTIL AUTOSLPTIH	0x8C 0x8D	R/W	This register defines the activity time. If this time passes without any processing events then the device enters into sleep-mode, but only if AUTOSLP.ENABLE bit is set to 1.
Bit - Name	Bit	Default	Bit Function
(reserved)	15:11		(reserved)
UPTIME[10:8] UPTIME[7:0]	10:8 7:0	0x00 0xFF	Values of UPTIME[10:0] match to multiples of 4ms: 0x00: no autosleep, regardless if AUTOSLP.ENABLE is set 0x01: 4ms 0x02: 8ms 0x7A: 500 ms 0xFF: 1020 ms (default after reset) 0x100: 1024 ms 0x7FF: 8188 ms

**IRQST - Global Interrupt Status Register****Table 48. IRQST - Global Interrupt Status Register**

Register - Name	Address	Type	Register Function
IRQST	0x91	R	Returns the interrupt status from various on-chip function blocks. If any of the bits is set and an IRQN line is configured, the IRQN line is asserted active
Bit - Name	Bit	Default	Bit Function
PORIRQ	7	0x1	Supply failure on VCC. Also power-on is considered as an initial supply failure. Therefore, after power-on, the bit is set. 0: no failure recorded 1: Failure, device was completely reset and requires re-programming.
KBDIRQ	6	0x0	Keyboard interrupt (further key selection in keyboard module) 0: inactive 1: active
(reserved)	5:4		(reserved)
TIM2IRQ	3	0x0	Timer2 expiry (CDIRQ or CYCIRQ) 0: inactive 1: active
TIM1IRQ	2	0x0	Timer1 expiry (CDIRQ or CYCIRQ) 0: inactive 1: active
TIM0IRQ	1	0x0	Timer0 expiry (CDIRQ or CYCIRQ) 0: inactive 1: active
GPIOIRQ	0	0x0	GPIO interrupt (further selection in GPIO module) 0: inactive 1: active

**GPIO FEATURE CONFIGURATION****GPIO Feature Mapping**

The LM8328 has a flexible IO structure which allows to dynamically assign different functionality to each ball. The functionality of each ball is determined by the complete configuration of the balls.

In general the following priority is given:

- Keypad
- GPIO/PWM/Interrupt

With this, each ball will be available as GPIO, PWM or interrupt unless it is specified to be part of the keypad matrix. The configuration for keypad or PWM/interrupt usage is defined by the following registers:

- KBDSIZE and KBDEDCFG
  - Both registers define a ball as either part of the keypad matrix or as dedicated key input. These settings have highest priority and will overwrite settings made in other registers.
- IOCFG
  - This register is used to define the usage of KPY[11:8] if not configured to be part of the keymatrix, to be used as GPIO.

**Table 49. Ball Configuration Options**

BALL	Module connectivity								
	GPIOSEL	BALLCFG							
		0x0	0x1	0x2	0x3	0x4	0x5	0x6	0x7
KPX[7:0]	not used	GPIO[7:0]							
KPY[7:0]	not used	GPIO[15:8]							
KPY8/PWM2	not used	GPIO16	PWM2 <sup>(1)</sup>	(reserved)	-	-	-	-	-
KPY9/PWM1	not used	GPIO17	PWM1	-	-	-	-	-	-
KPY10/PWM0	not used	GPIO18	PWM0	-	-	-	-	-	-
IRQN/KPY11/PWM2	see <a href="#">IOCFG</a>	GPIO19	PWM2 <sup>(1)</sup>	PWM2	-	-	-	-	-

(1) **Note 1:** PWM2 functionality is mutually exclusive — one pin at a time only (KPX8 or KPY11) depending on interrupt enable Bit 4 of IOCFG.

### IOCGF - Input/Output Pin Mapping Configuration Register

**Table 50. IOCGF - Input/Output Pin Mapping Configuration Register**

Register - Name	Address	Type	Register Function
IOCFG	0xA7	W	Configures usage of KPY[11:8] if not used for Keypad. On each write to this register, BALLCFG defines the column of <a href="#">Table 49</a> to configure.
Bit - Name	Bit	Default	Bit Function
GPIOSEL	7:4		Configures the IRQN/KPY11/PWM2 ball Bit 4: Interrupt enabled Bit [7:5]: not used
(reserved)	3		(reserved)
BALLCFG	2:0		Select column to configure, see <a href="#">Ball configuration options</a>

### IOPC0 - Pull Resistor Configuration Register 0

**Table 51. IOPC0 - Pull Resistor Configuration Register 0**

Register - Name	Address	Type	Register Function
IOPC0*	0xAA	R/W	Defines the pull resistor configuration for balls KPX[7:0]
Bit - Name	Bit	Default	Bit Function
KPX7PR[1:0]	15:14	0x2	Resistor enable for KPX7 ball 00: no pull resistor at ball 01: pull down resistor programmed 1x: pull up resistor programmed

**Table 51. IOPC0 - Pull Resistor Configuration Register 0 (continued)**

Register - Name	Address	Type	Register Function
KPX6PR[1:0]	13:12	0x2	Resistor enable for KPX6 ball 00: no pull resistor at ball 01: pull down resistor programmed 1x: pull up resistor programmed
KPX5PR[1:0]	11:10	0x2	Resistor enable for KPX5 ball 00: no pull resistor at ball 01: pull down resistor programmed 1x: pull up resistor programmed
KPX4PR[1:0]	9:8	0x2	Resistor enable for KPX4 ball 00: no pull resistor at ball 01: pull down resistor programmed 1x: pull up resistor programmed
KPX3PR[1:0]	7:6	0x2	Resistor enable for KPX3 ball 00: no pull resistor at ball 01: pull down resistor programmed 1x: pull up resistor programmed
KPX2PR[1:0]	5:4	0x2	Resistor enable for KPX2 ball 00: no pull resistor at ball 01: pull down resistor programmed 1x: pull up resistor programmed
KPX1PR[1:0]	3:2	0x2	Resistor enable for KPX1 ball 00: no pull resistor at ball 01: pull down resistor programmed 1x: pull up resistor programmed
KPX0PR[1:0]	1:0	0x2	Resistor enable for KPX0 ball 00: no pull resistor at ball 01: pull down resistor programmed 1x: pull up resistor programmed

**IOPC1 - Pull Resistor Configuration Register 1****Table 52. IOPC1 - Pull Resistor Configuration Register 1**

Register - Name	Address	Type	Register Function
IOPC1**	0xAC	R/W	Defines the pull resistor configuration for balls KPY[7:0]
Bit - Name	Bit	Default	Bit Function
KPY7PR[1:0]	15:14	0x1	Resistor enable for KPY7 ball 00: no pull resistor at ball 01: pull down resistor programmed 1x: pull up resistor programmed
KPY6PR[1:0]	13:12	0x1	Resistor enable for KPY6 ball 00: no pull resistor at ball 01: pull down resistor programmed 1x: pull up resistor programmed
KPY5PR[1:0]	11:10	0x1	Resistor enable for KPY5 ball 00: no pull resistor at ball 01: pull down resistor programmed 1x: pull up resistor programmed

**Table 52. IOPC1 - Pull Resistor Configuration Register 1 (continued)**

Register - Name	Address	Type	Register Function
KPY4PR[1:0]	9:8	0x1	Resistor enable for KPY4 ball 00: no pull resistor at ball 01: pull down resistor programmed 1x: pull up resistor programmed
KPY3PR[1:0]	7:6	0x1	Resistor enable for KPY3 ball 00: no pull resistor at ball 01: pull down resistor programmed 1x: pull up resistor programmed
KPY2PR[1:0]	5:4	0x1	Resistor enable for KPY2 ball 00: no pull resistor at ball 01: pull down resistor programmed 1x: pull up resistor programmed
KPY1PR[1:0]	3:2	0x1	Resistor enable for KPY1 ball 00: no pull resistor at ball 01: pull down resistor programmed 1x: pull up resistor programmed
KPY0PR[1:0]	1:0	0x1	Resistor enable for KPY0 ball 00: no pull resistor at ball 01: pull down resistor programmed 1x: pull up resistor programmed

**IOPC2 - Pull Resistor Configuration Register 2**
**Table 53. IOPC2 - Pull Resistor Configuration Register 2**

Register - Name	Address	Type	Register Function
IOPC2***	0xAE	R/W	Defines the pull resistor configuration for balls KPY[11:8]
Bit - Name	Bit	Default	Bit Function
(reserved)	15:8	0x5A	(reserved)
KPY11PR[1:0]	7:6	0x0	Resistor enable for KPY11 ball 00: no pull resistor at ball 01: pull down resistor programmed 1x: pull up resistor programmed
KPY10PR[1:0]	5:4	0x1	Resistor enable for KPY10 ball 00: no pull resistor at ball 01: pull down resistor programmed 1x: pull up resistor programmed
KPY9PR[1:0]	3:2	0x1	Resistor enable for KPY9 ball 00: no pull resistor at ball 01: pull down resistor programmed 1x: pull up resistor programmed
KPY8PR[1:0]	1:0	0x1	Resistor enable for KPY8 ball 00: no pull resistor at ball 01: pull down resistor programmed 1x: pull up resistor programmed

***GPIOOME0 - GPIO Open Drain Mode Enable Register 0*****Table 54. GPIOOME0 - GPIO Open Drain Mode Enable Register 0**

Register - Name	Address	Type	Register Function
GPIOOME0	0xE0	R/W	Configures KPX[7:0] for Open Drain or standard output functionality. The Open Drain drive source is configured by GPIOOMS0.
Bit - Name	Bit	Default	Bit Function
KPX[7:0]ODE	7:0	0x0	Open Drain Enable on KPX[7:0] 0: full buffer 1: open drain functionality

***GPIOOMS0 - GPIO Open Drain Mode Select Register 0*****Table 55. GPIOOMS0 - GPIO Open Drain Mode Select Register 0**

Register - Name	Address	Type	Register Function
GPIOOMS0	0xE1	R/W	Configures the Open Drain drive source on KPX[7:0] if selected by GPIOOME0.
Bit - Name	Bit	Default	Bit Function
KPX[7:0]ODM	7:0	0x0	0: Only nmos transistor is active in output driver stage. Output can be driven to gnd or Hi-Z 1: Only pmos transistor is active in output driver stage. Output can be driven to VCC or Hi-Z

***GPIOOME1 - GPIO Open Drain Mode Enable Register 1*****Table 56. GPIOOME1 - GPIO Open Drain Mode Enable Register 1**

Register - Name	Address	Type	Register Function
GPIOOME1	0xE2	R/W	Configures KPY[7:0] for Open Drain or standard output functionality. The Open Drain drive source is configured by GPIOOMS1.
Bit - Name	Bit	Default	Bit Function
KPY[7:0]ODE	7:0	0x0	Open Drain Enable on KPY[7:0] 0: full buffer 1: open drain functionality

***GPIOOMS1 - GPIO Open Drain Mode Select Register 1*****Table 57. GPIOOMS1 - GPIO Open Drain Mode Select Register 1**

Register - Name	Address	Type	Register Function
GPIOOMS1	0xE3	R/W	Configures the Open Drain drive source on KPY[7:0] if selected by GPIOOME1.
Bit - Name	Bit	Default	Bit Function
KPY[7:0]ODM	7:0	0x0	0: Only nmos transistor is active in output driver stage. Output can be driven to gnd or Hi-Z 1: Only pmos transistor is active in output driver stage. Output can be driven to VCC or Hi-Z

***GPIOOME2 - GPIO Open Drain Mode Enable Register 2*****Table 58. GPIOOME2 - GPIO Open Drain Mode Enable Register 2**

Register - Name	Address	Type	Register Function
GPIOOME2	0xE4	R/W	Configures KPY[11:8] for Open Drain or standard output functionality. The Open Drain drive source is configured by GPIOOMS2.



**Table 58. GPIOOME2 - GPIO Open Drain Mode Enable Register 2 (continued)**

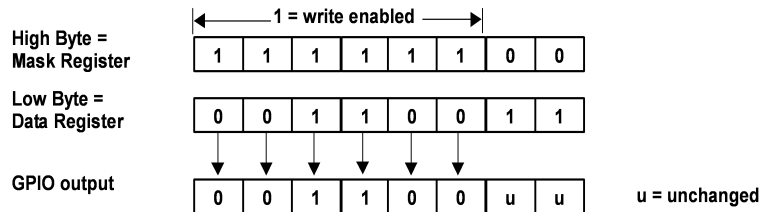
Register - Name	Address	Type	Register Function
Bit - Name	Bit	Default	Bit Function
(reserved)	7:4	0x0	(reserved)
KPY[11:8]ODE	3:0	0x8	Open Drain Enable on KPY[11:8] 0: full buffer 1: open drain functionality <b>Note:</b> KPY11/IRQN ball defaults to Open Drain Mode Enable after reset.

**GPIOOMS2 - GPIO Open Drain Mode Select Register 2**

**Table 59. GPIOOMS2 - GPIO Open Drain Mode Select Register 2**

Register - Name	Address	Type	Register Function
Bit - Name	Bit	Default	Bit Function
GPIOOMS2	0xE5	R/W	Configures the Open Drain drive source on KPY[11:8] if selected by GPIOOME2.
(reserved)	7:4		(reserved)
KPY[11:8]ODM	3:0	0x0	0: Only nmos transistor is active in output driver stage. Output can be driven to gnd or Hi-Z 1: Only pmos transistor is active in output driver stage. Output can be driven to VCC or Hi-Z

**GPIO DATA INPUT/OUTPUT**



**GPIO DATA0 - GPIO Data Register 0**

**Table 60. GPIO DATA0 - GPIO Data Register 0**

Register - Name	Address	Type	Register Function
Bit - Name	Bit	Default	Bit Function
GPIO DATA0	0xC0	R/W	This register is used for data input/output of KPX[7:0]. Every data I/O is masked with the associated MASK register. If one of the I/Os is defined as output (see Table 63) values written to this register are masked with MASK and then applied to the associated pin. If one of the I/Os is defined as input (see Table 63) values read from this register hold the masked input value of the associated pin.
MASK7	15	0x0	Mask Status for KPX7 when enabled as GPIO 1: KPX7 enabled 0: KPX7 disabled
MASK6	14	0x0	Mask Status for KPX6 when enabled as GPIO 1: KPX6 enabled 0: KPX6 disabled
MASK5	13	0x0	Mask Status for KPX5 when enabled as GPIO 1: KPX5 enabled 0: KPX5 disabled

**Table 60. GPIODATA0 - GPIO Data Register 0 (continued)**

Register - Name	Address	Type	Register Function
MASK4	12	0x0	Mask Status for KPX4 when enabled as GPIO 1: KPX4 enabled 0: KPX4 disabled
MASK3	11	0x0	Mask Status for KPX3 when enabled as GPIO 1: KPX3 enabled 0: KPX3 disabled
MASK2	10	0x0	Mask Status for KPX2 when enabled as GPIO 1: KPX2 enabled 0: KPX2 disabled
MASK1	9	0x0	Mask Status for KPX1 when enabled as GPIO 1: KPX1 enabled 0: KPX1 disabled
MASK0	8	0x0	Mask Status for KPX0 when enabled as GPIO 1: KPX0 enabled 0: KPX0 disabled
DATA7	7	0x0	Pin Status for KPX7 when enabled as GPIO
DATA6	6	0x0	Pin Status for KPX6 when enabled as GPIO
DATA5	5	0x0	Pin Status for KPX5 when enabled as GPIO
DATA4	4	0x0	Pin Status for KPX4 when enabled as GPIO
DATA3	3	0x0	Pin Status for KPX3 when enabled as GPIO
DATA2	2	0x0	Pin Status for KPX2 when enabled as GPIO
DATA1	1	0x0	Pin Status for KPX1 when enabled as GPIO
DATA0	0	0x0	Pin Status for KPX0 when enabled as GPIO

**GPIODATA1 - GPIO Data Register 1****Table 61. GPIODATA1 - GPIO Data Register 1**

Register - Name	Address	Type	Register Function
GPIODATA1	0xC2	R/W	This register is used for data input/output of KPY[7:0]. Every data I/O is masked with the associated MASK register. If one of the I/Os is defined as output (see <a href="#">Table 64</a> ) values written to this register are masked with MASK and then applied to the associated pin. If one of the I/Os is defined as input (see <a href="#">Table 64</a> ) values read from this register hold the masked input value of the associated pin.
Bit - Name	Bit	Default	Bit Function
MASK15	15	0x0	Mask Status for KPY7 when enabled as GPIO 1: KPY7 enabled 0: KPY7 disabled
MASK14	14	0x0	Mask Status for KPY6 when enabled as GPIO 1: KPY6 enabled 0: KPY6 disabled
MASK13	13	0x0	Mask Status for KPY5 when enabled as GPIO 1: KPY5 enabled 0: KPY5 disabled
MASK12	12	0x0	Mask Status for KPY4 when enabled as GPIO 1: KPY4 enabled 0: KPY4 disabled

**Table 61. GPIODATA1 - GPIO Data Register 1 (continued)**

Register - Name	Address	Type	Register Function
MASK11	11	0x0	Mask Status for KPY3 when enabled as GPIO 1: KPY3 enabled 0: KPY3 disabled
MASK10	10	0x0	Mask Status for KPY2 when enabled as GPIO 1: KPY2 enabled 0: KPY2 disabled
MASK9	9	0x0	Mask Status for KPY1 when enabled as GPIO 1: KPY1 enabled 0: KPY1 disabled
MASK8	8	0x0	Mask Status for KPY0 when enabled as GPIO 1: KPY0 enabled 0: KPY0 disabled
DATA15	7	0x0	Pin Status for KPY7 when enabled as GPIO
DATA14	6	0x0	Pin Status for KPY6 when enabled as GPIO
DATA13	5	0x0	Pin Status for KPY5 when enabled as GPIO
DATA12	4	0x0	Pin Status for KPY4 when enabled as GPIO
DATA11	3	0x0	Pin Status for KPY3 when enabled as GPIO
DATA10	2	0x0	Pin Status for KPY2 when enabled as GPIO
DATA9	1	0x0	Pin Status for KPY1 when enabled as GPIO
DATA8	0	0x0	Pin Status for KPY0 when enabled as GPIO

**GPIODATA2 - GPIO Data Register 2**
**Table 62. GPIODATA2 - GPIO Data Register 2**

Register - Name	Address	Type	Register Function
GPIODATA2	0xC4	R/W	This register is used for data input/output of KPY[11:8]. Every data I/O is masked with the associated MASK register. If one of the I/Os is defined as output (see <a href="#">Table 65</a> ) values written to this register are masked with MASK and then applied to the associated pin. If one of the I/Os is defined as input (see <a href="#">Table 65</a> ) values read from this register hold the masked input value of the associated pin.
Bit - Name	Bit	Default	Bit Function
(reserved)	15:12	0x0	(reserved)
MASK19	11	0x0	Mask Status for KPY11 when enabled as GPIO 1: KPY11 enabled 0: KPY11 disabled
MASK18	10	0x0	Mask Status for KPY10 when enabled as GPIO 1: KPY10 enabled 0: KPY10 disabled
MASK17	9	0x0	Mask Status for KPY9 when enabled as GPIO 1: KPY9 enabled 0: KPY9 disabled
MASK16	8	0x0	Mask Status for KPY8 when enabled as GPIO 1: KPY8 enabled 0: KPY8 disabled
reserved	7:4	0x0	(reserved)
DATA19	3	0x0	Pin Status for KPY11 when enabled as GPIO
DATA18	2	0x0	Pin Status for KPY10 when enabled as GPIO

**Table 62. GPIODATA2 - GPIO Data Register 2 (continued)**

Register - Name	Address	Type	Register Function
DATA17	1	0x0	Pin Status for KPY9 when enabled as GPIO
DATA16	0	0x0	Pin Status for KPY8 when enabled as GPIO

**GPIODIR0 - GPIO Port Direction Register 0****Table 63. GPIODIR0 - GPIO Port Direction Register 0**

Register - Name	Address	Type	Register Function
GPIODIR0	0xC6	R/W	Port direction for KPX[7:0]
Bit - Name	Bit	Default	Bit Function
KPX[7:0]DIR	7:0	0x00	Direction bits for KPX[7:0] 0: input mode 1: output mode

**GPIODIR1 - GPIO Port Direction Register 1****Table 64. GPIODIR1 - GPIO Port Direction Register 1**

Register - Name	Address	Type	Register Function
GPIODIR1	0xC7	R/W	Port direction for KPY[7:0]
Bit - Name	Bit	Default	Bit Function
KPY[7:0]DIR	7:0	0x00	Direction bits for KPY[7:0] 0: input mode 1: output mode

**GPIODIR2 - GPIO Port Direction Register 2****Table 65. GPIODIR2 - GPIO Port Direction Register 2**

Register - Name	Address	Type	Register Function
GPIODIR2	0xC8	R/W	Port direction for KPY[11:8]
Bit - Name	Bit	Default	Bit Function
(reserved)	7:4		(reserved)
KPY[11:8]DIR	3:0	0x08	Direction bits for KPY[11:8] 0: input mode 1: output mode

**GPIO INTERRUPT CONTROL****GPIOIS0 - Interrupt Sense Configuration Register 0****Table 66. GPIOIS0 - Interrupt Sense Configuration Register 0**

Register - Name	Address	Type	Register Function
GPIOIS0	0xC9	R/W	Interrupt type on KPX[7:0]
Bit - Name	Bit	Default	Bit Function
KPX[7:0]IS	7:0	0x0	Interrupt type bits for KPX[7:0] 0: edge sensitive interrupt 1: level sensitive interrupt

***GPIOIS1 - Interrupt Sense Configuration Register 1***
**Table 67. GPIOIS1 - Interrupt Sense Configuration Register 1**

Register - Name	Address	Type	Register Function
GPIOIS1	0xCA	R/W	Interrupt type on KPY[7:0]
Bit - Name	Bit	Default	Bit Function
KPY[7:0]IS	7:0	0x0	Interrupt type bits for KPY[7:0] 0: edge sensitive interrupt 1: level sensitive interrupt

***GPIOIS2 - Interrupt Sense Configuration Register 2***
**Table 68. GPIOIS2 - Interrupt Sense Configuration Register 2**

Register - Name	Address	Type	Register Function
GPIOIS2	0xCB	R/W	Interrupt type on KPY[11:8]
Bit - Name	Bit	Default	Bit Function
(reserved)	7:4		(reserved)
KPY[11:8]IS	3:0	0x0	Interrupt type bits for KPY[11:8] 0: edge sensitive interrupt 1: level sensitive interrupt

***GPIOIBE0 - GPIO Interrupt Edge Configuration Register 0***
**Table 69. GPIOIBE0 - GPIO Interrupt Edge Configuration Register 0**

Register - Name	Address	Type	Register Function
GPIOIBE0	0xCC	R/W	Defines whether an interrupt on KPX[7:0] is triggered on both edges or on a single edge. See <a href="#">Table 72</a> for the edge configuration.
Bit - Name	Bit	Default	Bit Function
KPX[7:0]IBE	7:0	0x0	Interrupt both edges bits for KPX[7:0] 0: interrupt generated at the active edge 1: interrupt generated after both edges

***GPIOIBE1 - GPIO Interrupt Edge Configuration Register 1***
**Table 70. GPIOIBE1 - GPIO Interrupt Edge Configuration Register 1**

Register - Name	Address	Type	Register Function
GPIOIBE1	0xCD	R/W	Defines whether an interrupt on KPY[7:0] is triggered on both edges or on a single edge. See <a href="#">Table 73</a> for the edge configuration.
Bit - Name	Bit	Default	Bit Function
KPY[7:0]IBE	7:0	0x0	Interrupt both edges bits for KPY[7:0] 0: interrupt generated at the configured edge 1: interrupt generated after both edges

***GPIOIBE2 - GPIO Interrupt Edge Configuration Register 2***
**Table 71. GPIOIBE2 - GPIO Interrupt Edge Configuration Register 2**

Register - Name	Address	Type	Register Function
GPIOIBE2	0xCE	R/W	Defines whether an interrupt on KPY[11:8] is triggered on both edges or on a single edge. See <a href="#">Table 74</a> for the edge configuration.
Bit - Name	Bit	Default	Bit Function

**Table 71. GPIOIBE2 - GPIO Interrupt Edge Configuration Register 2 (continued)**

Register - Name	Address	Type	Register Function
(reserved)	7:4		(reserved)
KPY[11:8]IBE	3:0	0x0	Interrupt both edges bits for KPY[11:8] 0: interrupt generated at the active edge 1: interrupt generated after both edges

**GPIOIEV0 - GPIO Interrupt Edge Select Register 0****Table 72. GPIOIEV0 - GPIO Interrupt Edge Select Register 0**

Register - Name	Address	Type	Register Function
GPIOIEV0	0xCF	R/W	Select Interrupt edge for KPX[7:0].
Bit - Name	Bit	Default	Bit Function
KPX[7:0]EV	7:0	0xFF	Interrupt edge select from KPX[7:0] 0: interrupt at low level or falling edge 1: interrupt at high level or rising edge

**GPIOIEV1 - GPIO Interrupt Edge Select Register 1****Table 73. GPIOIEV1 - GPIO Interrupt Edge Select Register 1**

Register - Name	Address	Type	Register Function
GPIOIEV1	0xD0	R/W	Select Interrupt edge for KPY[7:0].
Bit - Name	Bit	Default	Bit Function
KPY[7:0]EV	7:0	0xFF	Interrupt edge select from KPY[7:0] 0: interrupt at low level or falling edge 1: interrupt at high level or rising edge

**GPIOIEV2 - GPIO Interrupt Edge Select Register 2****Table 74. GPIOIEV2 - GPIO Interrupt Edge Select Register 2**

Register - Name	Address	Type	Register Function
GPIOIEV2	0xD1	R/W	Select Interrupt edge for KPY[11:8].
Bit - Name	Bit	Default	Bit Function
(reserved)	7:4		(reserved)
KPY[11:8]EV	3:0	0xFF	Interrupt edge select from KPY[11:8] 0: interrupt at low level or falling edge 1: interrupt at high level or rising edge

**GPIOIE0 - GPIO Interrupt Enable Register 0****Table 75. GPIOIE0 - GPIO Interrupt Enable Register 0**

Register - Name	Address	Type	Register Function
GPIOIE0	0xD2	R/W	Enable/disable interrupts on KPX[7:0]
Bit - Name	Bit	Default	Bit Function
KPX[7:0]IE	7:0	0x0	Interrupt enable on KPX[7:0] 0: disable interrupt 1: enable interrupt

***GPIOIE1 - GPIO Interrupt Enable Register 1***
**Table 76. GPIOIE1 - GPIO Interrupt Enable Register 1**

Register - Name	Address	Type	Register Function
GPIOIE1	0xD3	R/W	Enable/disable interrupts on KPY[7:0]
Bit - Name	Bit	Default	Bit Function
KPY[7:0]IE	7:0	0x0	Interrupt enable on KPY[7:0] 0: disable interrupt 1: enable interrupt

***GPIOIE2 - GPIO Interrupt Enable Register 2***
**Table 77. GPIOIE2 - GPIO Interrupt Enable Register 2**

Register - Name	Address	Type	Register Function
GPIOIE2	0xD4	R/W	Enable/disable interrupts on KPY[11:8]
Bit - Name	Bit	Default	Bit Function
(reserved)	7:4		(reserved)
KPY[11:8]IE	3:0	0x0	Interrupt enable on KPY[11:8] 0: disable interrupt 1: enable interrupt

***GPIOIC0 - GPIO Clear Interrupt Register 0***
**Table 78. GPIOIC0 - GPIO Clear Interrupt Register 0**

Register - Name	Address	Type	Register Function
GPIOIC0	0xDC	W	Clears the interrupt on KPX[7:0]
Bit - Name	Bit	Default	Bit Function
KPX[7:0]IC	7:0		Clear Interrupt on KPX[7:0] 0: no effect 1: Clear corresponding interrupt

***GPIOIC1 - GPIO Clear Interrupt Register 1***
**Table 79. GPIOIC1 - GPIO Clear Interrupt Register 1**

Register - Name	Address	Type	Register Function
GPIOIC1	0xDD	W	Clears the interrupt on KPY[7:0]
Bit - Name	Bit	Default	Bit Function
KPY[7:0]IC	7:0		Clear Interrupt on KPY[7:0] 0: no effect 1: Clear corresponding interrupt

***GPIOIC2 - GPIO Clear Interrupt Register 2***
**Table 80. GPIOIC2 - GPIO Clear Interrupt Register 2**

Register - Name	Address	Type	Register Function
GPIOIC2	0xDE	W	Clears the interrupt on KPY[11:8]
Bit - Name	Bit	Default	Bit Function
(reserved)	7:4		(reserved)

**Table 80. GPIOIC2 - GPIO Clear Interrupt Register 2 (continued)**

Register - Name	Address	Type	Register Function
KPY[11:8]IC	3:0		Clear Interrupt on KPY[11:8] 0: no effect 1: Clear corresponding interrupt

**GPIO INTERRUPT STATUS*****GPIORIS0 - Raw Interrupt Status Register 0*****Table 81. GPIORIS0 - Raw Interrupt Status Register 0**

Register - Name	Address	Type	Register Function
GPIORIS0	0xD6	R	Raw interrupt status on KPX[7:0]
Bit - Name	Bit	Default	Bit Function
KPX[7:0]RIS	7:0	0x0	Raw Interrupt status data on KPX[7:0] 0: no interrupt condition at GPIO 1: interrupt condition at GPIO

***GPIORIS1 - Raw Interrupt Status Register 1*****Table 82. GPIORIS1 - Raw Interrupt Status Register 1**

Register - Name	Address	Type	Register Function
GPIORIS1	0xD7	R	Raw interrupt status on KPY[7:0]
Bit - Name	Bit	Default	Bit Function
KPY[7:0]RIS	7:0	0x0	Raw Interrupt status data on KPY[7:0] 0: no interrupt condition at GPIO 1: interrupt condition at GPIO

***GPIORIS2 - Raw Interrupt Status Register 2*****Table 83. GPIORIS2 - Raw Interrupt Status Register 2**

Register - Name	Address	Type	Register Function
GPIORIS2	0xD8	R	Raw interrupt status on KPY[11:8]
Bit - Name	Bit	Default	Bit Function
(reserved)	7:4		(reserved)
KPY[11:8]RIS	3:0	0x0	Raw Interrupt status data on KPY[11:8] 0: no interrupt condition at GPIO 1: interrupt condition at GPIO

***GPIOMIS0 - Masked Interrupt Status Register 0*****Table 84. GPIOMIS0 - Masked Interrupt Status Register 0**

Register - Name	Address	Type	Register Function
GPIOMIS0	0xD9	R	Masked interrupt status on KPX[7:0]
Bit - Name	Bit	Default	Bit Function
KPX[7:0]MIS	7:0	0x0	Masked Interrupt status data on KPX[7:0] 0: no interrupt contribution from GPIO 1: interrupt GPIO is active



**GPIOMIS1 - Masked Interrupt Status Register 1**
**Table 85. GPIOMIS1 - Masked Interrupt Status Register 1**

Register - Name	Address	Type	Register Function
GPIOMIS1	0xDA	R	Masked interrupt status on KPY[7:0]
Bit - Name	Bit	Default	Bit Function
KPY[7:0]MIS	7:0	0x0	Masked Interrupt status data on KPY[7:0] 0: no interrupt contribution from GPIO 1: interrupt GPIO is active

**GPIOMIS2 - Masked Interrupt Status Register 2**
**Table 86. GPIOMIS2 - Masked Interrupt Status Register 2**

Register - Name	Address	Type	Register Function
GPIOMIS2	0xDB	R	Masked interrupt status on KPY[11:8]
Bit - Name	Bit	Default	Bit Function
(reserved)	7:4		(reserved)
KPY[11:8]MIS	3:0	0x0	Masked Interrupt status data on KPY[11:8] 0: no interrupt contribution from GPIO 1: interrupt GPIO is active

**GPIO WAKE-UP CONTROL**
**GPIOWAKE0 - GPIO Wake-Up Register 0**
**Table 87. GPIOWAKE0 - GPIO Wake-Up Register 0**

Register - Name	Address	Type	Register Function
GPIOWAKE0	0xE9	R/W	Configures wake-up conditions for KPX[7:0] Each bit corresponds to a ball. When bit set, the corresponding ball contributes to wakeup from auto sleep mode.
Bit - Name	Bit	Default	Bit Function
KPX[7:0]WAKE	7:0	0x0	Bit 7: KPX7 ... Bit 0: KPX0

**GPIOWAKE1 - GPIO Wake-Up Register 1**
**Table 88. GPIOWAKE1 - GPIO Wake-Up Register 1**

Register - Name	Address	Type	Register Function
GPIOWAKE1	0xEA	R/W	Configures wake-up conditions for KPY[7:0] Each bit corresponds to a ball. When bit set, the corresponding ball contributes to wakeup from auto sleep mode.
Bit - Name	Bit	Default	Bit Function
KPY[7:0]WAKE	7:00	0x0	Bit 7: KPY7 ... Bit 0: KPY0

## GPIOWAKE2 - GPIO Wake-Up Register 2

**Table 89. GPIOWAKE2 - GPIO Wake-Up Register 2**

Register - Name	Address	Type	Register Function
GPIOWAKE2	0xEB	R/W	Configures wake-up conditions for KPY[11:8] Each bit corresponds to a ball. When bit set, the corresponding ball contributes to wakeup from auto sleep mode.
Bit - Name	Bit	Default	Bit Function
(reserved)	7:4		(reserved)
KPY[11:8]WAKE	3:0	0x0	Bit 3: KPY11 ... Bit 0: KPY8



These devices have limited built-in ESD protection. The leads should be shorted together or the device placed in conductive foam during storage or handling to prevent electrostatic damage to the MOS gates.

### ABSOLUTE MAXIMUM RATINGS <sup>(1)(2)</sup>

Supply Voltage ( $V_{CC}$ )		-0.3V to 2.2V
Voltage at Generic IOs		-0.2V to $V_{CC} + 0.2V$
Voltage at Backdrive/Overvoltage IOs		-0.3V to +4.25V
Maximum Input Current Without Latchup		±100 mA
ESD Protection Level	(Human Body Model)	2kV
	(Machine Model)	200V
	(Charge Device Model)	750V
Total Current into $V_{CC}$ Pin (Source)		100 mA
Total Current out of GND Pin (Sink)		100 mA
Storage Temperature Range		-65°C to +140°C

- (1) Absolute Maximum Ratings indicate limits beyond which damage to the device may occur. Operating Ratings indicate conditions for which the device is intended to be functional, but specific performance is not ensured. For ensured specifications and test conditions, see the Electrical Characteristics tables.
- (2) If Military/Aerospace specified devices are required, please contact the TI Sales Office/ Distributors for availability and specifications.

### DC ELECTRICAL CHARACTERISTICS

Datasheet min/max specification limits are specified by design, test, or statistical analysis.  
(Temperature:  $-40^{\circ}\text{C} \leq T_A \leq +85^{\circ}\text{C}$ , unless otherwise specified)

Parameter	Conditions	Min	Typ	Max	Units
Operating Voltage ( $V_{CC}$ )	Core Supply Voltage	1.62		1.98	V
Maximum Input voltage for Backdrive/Overvoltage IOs				3.60	V
Supply Current ( $I_{DD}$ ) <sup>(1)</sup>	No loads on pins; Internal Clock = ON, all internal functional blocks running $V_{CC} = 1.8V$ , $T_C = 0.5 \mu\text{s}$ $T_A = 25^{\circ}\text{C}$		1.9	3.0	mA
Sleep Mode HALT Current ( $I_{HALT}$ ) <sup>(2)</sup>	$V_{CC} = 1.8V$ , $T_A = 25^{\circ}\text{C}$ ; Internal Clock = OFF, no internal functional blocks running		<9	40	$\mu\text{A}$
IDLE Current	Internal Clock = ON, no internal functional blocks running		1		mA

- (1) Supply and IDLE current is measured with inputs connected to  $V_{CC}$  and outputs driven low but not connected to a load.
- (2) In sleep mode, the internal clock is switched off. Supply current in sleep mode is measured with inputs connected to  $V_{CC}$  and outputs driven low but not connected to a load.

## AC ELECTRICAL CHARACTERISTICS

 (Temperature:  $-40^{\circ}\text{C} \leq T_A \leq +85^{\circ}\text{C}$ )

Data sheet specification limits are specified by design, test, or statistical analysis.

Parameter	Conditions	Min	Typ	Max	Units
System Clock Frequency	Internal RC		21		MHz
System Clock Period (mclk)	$1.62\text{V} \leq V_{CC} \leq 1.98\text{V}$		48		ns
Internal RC Oscillator ( $t_c$ )	$1.62\text{V} \leq V_{CC} \leq 1.98\text{V}$		0.5		$\mu\text{s}$
Internal RC Oscillator Frequency Variation				$\pm 7$	%
ACCESS.bus Input Signals					
Bus Free Time Between Stop and Start Condition ( $t_{\text{BUFi}}$ ) <sup>(1)</sup>		16			
SCL Setup Time ( $t_{\text{CSTOSi}}$ ) <sup>(1)</sup>	Before Stop Condition	8			
SCL Hold Time ( $t_{\text{CSTRhi}}$ ) <sup>(1)</sup>	After Start Condition	8			
SCL Setup Time ( $t_{\text{CSTRsi}}$ ) <sup>(1)</sup>	Before Start Condition	8			
Data High Setup Time ( $t_{\text{DHCsi}}$ ) <sup>(1)(2)</sup>	Before SCL Rising Edge (RE)	2			mclk
Data Low Setup Time ( $t_{\text{DLCsi}}$ ) <sup>(1) (2)</sup>	Before SCL RE	2			
SCL Low Time ( $t_{\text{SCLow}}$ ) <sup>(1)</sup>	After SCL Falling Edge (FE)	12			
SCL High Time ( $t_{\text{SCLhigh}}$ ) <sup>(1) (2)</sup>	After SCL FE	12			
SDA Hold Time ( $t_{\text{SDAhi}}$ ) <sup>(1)</sup>	After SCL FE	0			
SDA Setup Time ( $t_{\text{SDAsi}}$ ) <sup>(1) (2)</sup>	Before SCL RE	2			
ACCESS.bus Output Signals					
SDA Hold Time ( $t_{\text{SDAho}}$ ) <sup>(1)</sup>	After SCL Falling Edge	2			mclk

(1) Specified by design, not tested.

 (2) The ACCESS.bus interface implements and meets the timings necessary for interface to the I<sup>2</sup>C and SMBus protocols at logic levels. The bus drivers have open-drain outputs for bidirectional operation. Due to Internal RC Oscillator Frequency Variation, this specification may not meet the AC timing and current/voltage drive requirements of the full-bus specifications.

## GENERAL GPIO CHARACTERISTICS

Characteristics for all pins except IRQN/KPY11/PWM2, SDA, and SCL in GPIO mode.

Parameter	Conditions	Min	Typ	Max	Units
$V_{IH}$ (Min. Input High Voltage)		$0.7 \times V_{CC}$			V
$V_{IL}$ (Max. Input Low Voltage)				$0.3 \times V_{CC}$	V
$I_{\text{Source}}$	$V_{CC} = 1.62$ $V_{OH} = 0.7 \times V_{CC}$			-16	mA
$I_{\text{Sink}}$	$V_{CC} = 1.62$ $V_{OL} = 0.3 \times V_{CC}$	16			mA
Allowable Sink current per pin <sup>(1)</sup>				16	mA
$I_{\text{PU}}$ (Weak Pull-UP Current) <sup>(2)</sup>	$V_{\text{OUT}} = 0\text{V}$	-30		-160	
$I_{\text{PD}}$ (Weak Pull-Down Current) <sup>(2)</sup>	$V_{\text{OUT}} = V_{CC}$	30		160	
$I_{\text{OZ}}$ (Input Leakage Current)	GPIO output disabled $V_{\text{pin}} = 0$ to $V_{CC}$			$\pm 2$	$\mu\text{A}$
$t_{\text{Rise/Fall}}$ (Max. Rise and Fall times) <sup>(3)</sup>	$C_{\text{LOAD}} = 50$ pF			15	ns

 (1) The sum of all I/O sink/source current must not exceed the maximum total current into  $V_{CC}$  and out of GND as specified in the absolute maximum ratings.

(2) This is the internal weak pull-up (pull-down) current when driver output is disabled. If enabled, during receiving mode, this is the current required to switch the input from one state to another.

(3) Specified by design, not tested.

## BACKDRIVE/OVERVOLTAGE I/O DC CHARACTERISTICS

Characteristics for pins IRQN/KPY11/PWM2, SDA and SCL

Parameter	Conditions	Min	Typ	Max	Units
$V_{IH}$ (Min. Input High Voltage)		$0.7 \times V_{CC}$			V
$V_{IL}$ (Max. Input Low Voltage)				$0.3 \times V_{CC}$	
$I_{Source}$	$V_{CC} = 1.62V$ $V_{OH} = 1.5V$			-6	mA
$I_{Sink1}$ (as GPIO)	$V_{CC} = 1.62V$ $V_{OL} = 0.4V$	12			mA
$I_{Sink2}$ (as ACCESS.bus)	$V_{CC} = 1.62V$ $V_{OL} = 0.4V$	3			mA
$I_{Sink3}$ (as ACCESS.bus)	$V_{CC} = 1.62V$ $V_{OL} = 0.6V$	4			mA
Allowable Sink current per pin <sup>(1)</sup>				12	mA
$I_{PU}$ (Weak Pull-UP Current) <sup>(2)</sup>	$V_{OUT} = 0V$	-7		-40	μA
$I_{PD}$ (Weak Pull-Down Current) <sup>(2)</sup>	$V_{OUT} = V_{CC}$	7		40	
$I_{OZ1}$ (Input Leakage Current)	GPIO output disabled $V_{CC} = 1.62V$ to $1.98V$ $V_{pin} = 0$ to $V_{CC}$ $V_{pin} = V_{CC}$ to $3.6V$			$\pm 2$ $\pm 10$	
$I_{OZ2}$ (Input Backdrive Leakage Current)	$0 \leq V_{CC} \leq 0.5V$ $V_{pin} = 0$ to $3.6V$			$\pm 10$	μA

- (1) The sum of all I/O sink/source current must not exceed the maximum total current into  $V_{CC}$  and out of GND as specified in the absolute maximum ratings.
- (2) This is the internal weak pull-up (pull-down) current when driver output is disabled. If enabled, during receiving mode, this is the current required to switch the input from one state to another.

## BACKDRIVE/OVERVOLTAGE I/O AC CHARACTERISTICS

Characteristics for pins IRQN/KPY11/PWM2, SDA and SCL

Parameter	Conditions	Min	Typ	Max	Units
$t_{Rise/Fall}$ (Max. Rise and Fall time) <sup>(1)</sup>	$C_{LOAD} = 50$ pF @ 1MHz			70	ns
$t_{Fall}$ (Max. Fall time) as ACCESS.bus (SDA, SCL only) <sup>(1)</sup>	$C_{LOAD} = 10$ pF to $100$ pF $V_{IHmin}$ to $V_{ILmax}$	10		120	

- (1) Specified by design, not tested.

## REGISTERS

### REGISTER MAPPING

#### KEYBOARD REGISTERS

shows the register map for keyboard functionality. In addition to Global Call Reset (see [GLOBAL INTERRUPT REGISTERS](#)) or Software Reset using SWRESET (see [Table 41](#)), these registers are reset to 0x00 values by a module reset using RSTCTRL.KBDRST and should be rewritten for desired settings (see [Table 42](#)).

**Register Map for Keyboard Functionality**

Register Name	Description	Register File Address	Register Type	ACCESS Size	Default value	Next RF Address
KBDSETTLE	Keypad Settle Time	0x01	R/W	byte	0x80	0x02
KBDBOUNCE	Keypad Debounce Time	0x02	R/W	byte	0x80	0x03
KBDSIZE	Keypad Size Configuration	0x03	R/W	byte	0x22	0x04
KBDEDCFG0	Keypad Dedicated Key 0	0x04	R/W	byte	0xFF	0x05
KBDEDCFG1	Keypad Dedicated Key 1	0x05	R/W	byte	0xFF	0x06
KBDRIS	Keypad Raw Interrupt Status	0x06	R	byte	0x00	0x07
KBDMIS	Keypad Masked Interrupt Status	0x07	R	byte	0x00	0x08
KBDIC	Keypad Interrupt Clear	0x08	W	byte		0x09
KBDMSK	Keypad Interrupt Mask	0x09	R/W	byte	0xF3	0x0A
KBDCODE0	Keypad Code 0	0x0B	R	byte	0x7F	0x0C
KBDCODE1	Keypad Code 1	0x0C	R	byte	0x7F	0x0D
KBDCODE2	Keypad Code 2	0x0D	R	byte	0x7F	0x0E
KBDCODE3	Keypad Code 3	0x0E	R	byte	0x7F	0x0F
EVTCODE	Key Event Code	0x10	R	byte	0x7F	0x10

#### PWM TIMER REGISTERS

shows the register map for PWM Timer functionality. In addition to Global Call Reset (see [Global Call Reset](#)) or Software Reset using SWRESET (see [Table 41](#)), these registers are reset to default values by a module reset using RSTCTRL.TIMRST (see [Table 42](#)).

**Register Map for PWM Timer Functionality**

Register Name	Description	Register File Address	Register Type	ACCESS Size	Default value	Next RF Address
TIMCFG0	PWM Timer Configuration 0	0x60	R/W	byte	0x00	0x61
PWMCFG0	PWM Configuration 0	0x61	R/W	byte	0x00	0x62
TIMCFG1	PWM Timer Configuration 1	0x68	R/W	byte	0x00	0x69
PWMCFG1	PWM Configuration 1	0x69	R/W	byte	0x00	0x6A
TIMCFG2	PWM Timer Configuration 2	0x70	R/W	byte	0x00	0x71
PWMCFG2	PWM Configuration 2	0x71	R/W	byte	0x00	0x72

### Register Map for PWM Timer Functionality (continued)

Register Name	Description	Register File Address	Register Type	ACCESS Size	Default value	Next RF Address
TIMSWRES	PWM Timer SW Reset	0x78	W	byte		0x79
TIMRIS	PWM Timer Interrupt Status	0x7A	R	byte	0x00	0x7B
TIMMIS	PWM Timer Masked Int. Status	0x7B	R	byte	0x00	0x7C
TIMIC	Timer Interrupt Clear	0x7C	W	byte		0x7D
PWMWP	PWM Command Write Pointer	0x7D	R/W	byte	0x00	0x7E
PWMCFG	PWM Command Script	0x7E	W	word		0x7F

### SYSTEM REGISTERS

shows the register map for general system registers. These registers are not affected by any of the module resets addressed by RSTCTRL (see [Table 42](#)). These registers can only be reset to default values by a Global Call Reset (see [Global Call Reset](#)) or by a complete Software Reset using SWRESET (see [Table 41](#)).

### Register Map for System Control Functionality

Register Name	Description	Register File Address	Register Type	ACCESS Size	Default value	Next RF Address
I2CSA	I <sup>2</sup> C-compatible ACCESS.bus Slave Address	0x80	W	byte	0x88	0x81
MFGCODE	Manufacturer Code	0x80	R	byte	0x00	0x81
SWREV	SW Revision	0x81	R	byte	0x83	0x82
SWRESET	SW Reset	0x81	W	byte		0x82
RSTCTRL	System Reset	0x82	R/W	byte	0x00	0x83
RSTINTCLR	Clear No Init/Power On Interrupt	0x84	W	byte		0x85
CLKMODE	Clock Mode	0x88	R/W	byte	0x01	0x89
CLKEN	Clock Enable	0x8A	R/W	byte	0x00	0x8B
AUTOSLP	Auto Sleep Enable	0x8B	R/W	byte	0x00	0x8C
AUTOSLPTI	Auto Sleep Time	0x8C	R/W	word	0x00FF	0x8D

### GLOBAL INTERRUPT REGISTERS

[Table 90](#) shows the register map for global interrupt functionality. In addition to Global Call Reset (see [Global Call Reset](#)) or Software Reset using SWRESET (see [Table 41](#)), these registers are reset to default values by a module reset using RSTCTRL.IRQRST (see [Table 42](#)).

**Table 90. Register Map for Global Interrupt Functionality**

Register Name	Description	Register File Address	Register Type	ACCESS Size	Default value	Next RF Address
IRQST	Global Interrupt Status	0x91	R	byte	0x80	0x92

### GPIO REGISTERS

shows the register map for GPIO functionality. In addition to Global Call Reset (see [Global Call Reset](#)) or Software Reset using SWRESET (see [Table 41](#)), these registers are reset to 0x00 values by a module reset using RSTCTRL.GPIRST and should be rewritten for desired settings (see [Table 42](#)).

**Register Map for GPIO Functionality**

Register Name	Description	Register File Address	Register Type	ACCESS Size	Default value	Next RF Address
IOCFG	I/O Pin Mapping Configuration	0xA7	W	byte		0xA8
IOPC0	Pull Resistor Configuration 0	0xAA	R/W	word	0xAAAA	0xAB
IOPC1	Pull Resistor Configuration 1	0xAC	R/W	word	0x5555	0xAD
IOPC2	Pull Resistor Configuration 2	0xAE	R/W	word	0x5A15	0xAF
GPIODATA0	GPIO I/O Data 0	0xC0	R/W	byte	0x00	0xC1
GIOMASK0	GPIO I/O Mask 0	0xC1	W	byte		0xC2
GPIODATA1	GPIO I/O Data 1	0xC2	R/W	byte	0x00	0xC3
GIOMASK1	GPIO I/O Mask 1	0xC3	W	byte		0xC4
GPIODATA2	GPIO I/O Data 2	0xC4	R/W	byte	0x00	0xC5
GIOMASK2	GPIO I/O Mask 2	0xC5	W	byte		0xC6
GPIODIR0	GPIO I/O Direction 0	0xC6	R/W	byte	0x00	0xC7
GPIODIR1	GPIO I/O Direction 1	0xC7	R/W	byte	0x00	0xC8
GPIODIR2	GPIO I/O Direction 2	0xC8	R/W	byte	0x08	0xC9
GPIOIS0	GPIO Int Sense Config 0	0xC9	R/W	byte	0x00	0xCA
GPIOIS1	GPIO Int Sense Config 1	0xCA	R/W	byte	0x00	0xCB
GPIOIS2	GPIO Int Sense Config 2	0xCB	R/W	byte	0x00	0xCC
GPIOIBE0	GPIO Int Both Edges Config 0	0xCC	R/W	byte	0x00	0xCD
GPIOIBE1	GPIO Int Both Edges Config 1	0xCD	R/W	byte	0x00	0xCE
GPIOIBE2	GPIO Int Both Edges Config 2	0xCE	R/W	byte	0x00	0xCF
GPIOIEV0	GPIO Int Edge Select 0	0xCF	R/W	byte	0xFF	0xD0
GPIOIEV1	GPIO Int Edge Select 1	0xD0	R/W	byte	0xFF	0xD1
GPIOIEV2	GPIO Int Edge Select 2	0xD1	R/W	byte	0xFF	0xD2
GPIOIE0	GPIO Interrupt Enable 0	0xD2	R/W	byte	0x00	0xD3
GPIOIE1	GPIO Interrupt Enable 1	0xD3	R/W	byte	0x00	0xD4
GPIOIE2	GPIO Interrupt Enable 2	0xD4	R/W	byte	0x00	0xD5
GPIORIS0	GPIO Raw Int Status 0	0xD6	R	byte	0x00	0xD7
GPIORIS1	GPIO Raw Int Status 1	0xD7	R	byte	0x00	0xD8
GPIORIS2	GPIO Raw Int Status 2	0xD8	R	byte	0x00	0xD9
GIOMIS0	GPIO Masked Int Status 0	0xD9	R	byte	0x00	0xDA
GIOMIS1	GPIO Masked Int Status 1	0xDA	R	byte	0x00	0xDB

### Register Map for GPIO Functionality (continued)

Register Name	Description	Register File Address	Register Type	ACCESS Size	Default value	Next RF Address
GPIOMIS2	GPIO Masked Int Status 2	0xDB	R	byte	0x00	0xDC
GPIOIC0	GPIO Interrupt Clear 0	0xDC	W	byte		0xDD
GPIOIC1	GPIO Interrupt Clear 1	0xDD	W	byte		0xDE
GPIOIC2	GPIO Interrupt Clear 2	0xDE	W	byte		0xDF
GPIOOE0	GPIO Open Drain Mode Enable 0	0xE0	R/W	byte	0x00	0xE1
GPIOOMS0	GPIO Open Drain Mode Select 0	0xE1	R/W	byte	0x00	0xE2
GPIOOE1	GPIO Open Drain Mode Enable 1	0xE2	R/W	byte	0x00	0xE3
GPIOOMS1	GPIO Open Drain Mode Select 1	0xE3	R/W	byte	0x00	0xE4
GPIOOE2	GPIO Open Drain Mode Enable 2	0xE4	R/W	byte	0x08	0xE5
GPIOOMS2	GPIO Open Drain Mode Select 2	0xE5	R/W	byte	0x00	0xE6
GPIOWAKE0	GPIO Wakeup Enable 0	0xE9	R/W	byte	0x00	0xEA
GPIOWAKE1	GPIO Wakeup Enable 1	0xEA	R/W	byte	0x00	0xEB
GPIOWAKE2	GPIO Wakeup Enable 2	0xEB	R/W	byte	0x00	0xEC

### REGISTER LAYOUT - Control Bits in LM8328 Registers

Register	Addr.	BIT 7	BIT 6	BIT 5	BIT 4	BIT 3	BIT 2	BIT 1	BIT 0
KBDSETTLE	0x01	Wait[7:0]							
KBDBOUNCE	0x02	Wait[7:0]							
KBDSIZE	0x03	ROW-SIZE3	ROW-SIZE2	ROW-SIZE1	ROW-SIZE0	COL-SIZE3	COL-SIZE2	COL-SIZE1	COL-SIZE0
KBDDCDCFG <sub>0</sub>	0x04	COL9	COL8	COL7	COL6	COL5	COL4	COL3	COL2
KBDDCDCFG <sub>1</sub>	0x05	ROW7	ROW6	ROW5	ROW4	ROW3	ROW2	COL11	COL10
KBDRIS	0x06					RELINT	REVTINT	RKLINT	RSINT
KBDMIS	0x07					MELINT	MEVTINT	MKLINT	MSINT
KBDIC	0x08	SFOFF						EVTIC	KBDIC
KBDMSK	0x09					MSKELINT	MSKEINT	MSKLINT	MSKSINT
KBDCODE0	0x0B	MULTIKEY	KEYROW2	KEYROW1	KEYROW0	KEYCOL3	KEYCOL2	KEYCOL1	KEYCOL0
KBDCODE1	0x0C	MULTIKEY	KEYROW2	KEYROW1	KEYROW0	KEYCOL3	KEYCOL2	KEYCOL1	KEYCOL0
KBDCODE2	0x0D	MULTIKEY	KEYROW2	KEYROW1	KEYROW0	KEYCOL3	KEYCOL2	KEYCOL1	KEYCOL0
KBDCODE3	0x0E	MULTIKEY	KEYROW2	KEYROW1	KEYROW0	KEYCOL3	KEYCOL2	KEYCOL1	KEYCOL0
EVTCODE	0x10	RELEASE	KEYROW2	KEYROW1	KEYROW0	KEYCOL3	KEYCOL2	KEYCOL1	KEYCOL0
TIMCFG0	0x60				CICIRQ0-MASK				START
PWMCFG0	0x61					CDIRQ0-MASK	PGE	PWMEN	PWMPOL
TIMCFG1	0x68				CYIRQ1-MASK				START



**REGISTER LAYOUT - Control Bits in LM8328 Registers (continued)**

Register	Addr.	BIT 7	BIT 6	BIT 5	BIT 4	BIT 3	BIT 2	BIT 1	BIT 0	
PWMCFG1	0x69					CDIRQ1-MASK	PGE	PWMEN	PWMPOL	
TIMCFG2	0x70				IRQMASK				START	
PWMCFG2	0x71					CDIRQ2-MASK	PGE	PWMEN	PWMPOL	
TIMSWRES	0x78						SWRES2	SWRES1	SWRES0	
TIMRIS	0x7A			CDIRQ2	CDIRQ1	CDIRQ0	CICIRQ2	CICIRQ1	CICIRQ0	
TIMMIS	0x7B			CDIRQ2	CDIRQ1	CDIRQ0	CICIRQ2	CICIRQ1	CICIRQ0	
TIMIC	0x7C			CDIRQ2	CDIRQ1	CDIRQ0	CICIRQ2	CICIRQ1	CICIRQ0	
PWMWP	0x7D	0	PWMWP[6:0]							
PWMCFG (Low)	0x7E	CMD[7:0]								
PWMCFG (High)	0x7F	CMD[15:8]								
I2CSA	0x80	SLAVEADDR[7:1]							0	
MFGCODE	0x80	MFGBIT[7:0]								
SWREV	0x81	SWBIT[7:0]								
SWRESET	0x81	SWBIT[7:0]								
RSTCTRL	0x82				IRQRST	TIMRST		KBDRST	GPIRST	
RSTINTCLR	0x84								IRQCLR	
CLKMODE	0x88							MOD-CTL[1:0]		
CLKEN	0x8A	CLKOUTEN[1:0]						TIMEN		KB DEN
AUTOSLP	0x8B								ENABLE	
AUTOSLPTI (Low)	0x8C	UP-TIME [7:0]								
AUTOSLPTI (High)	0x8D						UP-TIME [10:8]			
IRQST	0x91	PORIRQ	KBD1RQ			TIM2IRQ	TIM1IRQ	TIM0IRQ	GPIIRQ	
IOCFG	0xA7	IOCFGPM [7:0]								
IOPC0 (Low)	0xAA	KPX3PR[1:0]		KPX2PR[1:0]		KPX1PR[1:0]		KPX0PR[1:0]		
IOPC0 (High)	0xAB	KPX7PR[1:0]		KPX6PR[1:0]		KPX5PR[1:0]		KPX4PR[1:0]		
IOPC1 (Low)	0xAC	KPY3PR[1:0]		KPY2PR[1:0]		KPY1PR[1:0]		KPY0PR[1:0]		
IOPC1 (High)	0xAD	KPY7PR[1:0]		KPY6PR[1:0]		KPY5PR[1:0]		KPY4PR[1:0]		
IOPC2 (Low)	0xAE	KPY11PR[1:0]		KPY10PR[1:0]		KPY9PR[1:0]		KPY8PR[1:0]		
IOPC2 (High)	0xAF									
GPIODATA0	0xC0	DATA7	DATA6	DATA5	DATA4	DATA3	DATA2	DATA1	DATA0	
GPIOMASK0	0xC1	MASK7	MASK6	MASK5	MASK4	MASK3	MASK2	MASK1	MASK0	
GPIODATA1	0xC2	DATA15	DATA14	DATA13	DATA12	DATA11	DATA10	DATA9	DATA8	
GPIOMASK1	0xC3	MASK15	MASK14	MASK13	MASK12	MASK11	DATA10	DATA9	DATA8	
GPIODATA2	0xC4					DATA19	DATA18	DATA17	DATA16	
GPIOMASK2	0xC5					MASK19	MASK18	MASK17	MASK16	
GPIODIR0	0xC6	KPX7DIR	KPX6DIR	KPX5DIR	KPX4DIR	KPX3DIR	KPX2DIR	KPX1DIR	KPX0DIR	
GPIODIR1	0xC7	KPY7DIR	KPY6DIR	KPY5DIR	KPY4DIR	KPY3DIR	KPY2DIR	KPY1DIR	KPY0DIR	
GPIODIR2	0xC8					KP11DIR	KPY10DIR	KPY9DIR	KPY8DIR	
GPIOIS0	0xC9	KPX7IS	KPX6IS	KPX5IS	KPX4IS	KPX3IS	KPX2IS	KPX1IS	KPX0IS	
GPIOIS1	0xCA	KPY7IS	KPY6IS	KPY5IS	KPY4IS	KPY3IS	KPY2IS	KPY1IS	KPY0IS	
GPIOIS2	0xCB					KPY11IS	KPY10IS	KPY9IS	KPY8IS	
GPIOIBE0	0xCC	KPX7IBE	KPX6IBE	KPX5IBE	KPX4IBE	KPX3IBE	KPX2IBE	KPX1IBE	KPX0IBE	
GPIOIBE1	0xCD	KPY7IBE	KPY6IBE	KPY5IBE	KPY4IBE	KPY3IBE	KPY2IBE	KPY1IBE	KPY0IBE	

**REGISTER LAYOUT - Control Bits in LM8328 Registers (continued)**

Register	Addr.	BIT 7	BIT 6	BIT 5	BIT 4	BIT 3	BIT 2	BIT 1	BIT 0
GPIOIBE2	0xCE					KPY11IBE	KPY10IBE	KPY9IBE	KPY8IBE
GPIOIEV0	0xCF	KPX7EV	KPX6EV	KPX5EV	KPX4EV	KPX3EV	KPX2EV	KPX1EV	KPX0EV
GPIOIEV1	0xD0	KPY7EV	KPY6EV	KPY5EV	KPY4EV	KPY3EV	KPY2EV	KPY1EV	KPY0EV
GPIOIEV2	0xD1					KPY11IEV	KPY10IEV	KPY9IEV	KPY8IEV
GPIOIE0	0xD2	KPX7IE	KPX6IE	KPX5IE	KPX4IE	KPX3IE	KPX2IE	KPX1IE	KPX0IE
GPIOIE1	0xD3	KPY7IE	KPY6IE	KPY5IE	KPY4IE	KPY3IE	KPY2IE	KPY1IE	KPY0IE
GPIOIE2	0xD4					KPY11IE	KPY10IE	KPY9IE	KPY8IE
GIORIS0	0xD6	KPX7RIS	KPX6RIS	KPX5RIS	KPX4RIS	KPX3RIS	KPX2RIS	KPX1RIS	KPX0RIS
GIORIS1	0xD7	KPY7RIS	KPY6RIS	KPY5RIS	KPY4RIS	KPY3RIS	KPY2RIS	KPY1RIS	KPY0RIS
GIORIS2	0xD8					KPY11RIS	KPY10RIS	KPY9RIS	KPY8RIS
GIOMIS0	0xD9	KPX7MIS	KPX6MIS	KPX5MIS	KPX4MIS	KPX3MIS	KPX2MIS	KPX1MIS	KPX0MIS
GIOMIS1	0xDA	KPY7MIS	KPY6MIS	KPY5MIS	KPY4MIS	KPY3MIS	KPY2MIS	KPY1MIS	KPY0MIS
GIOMIS2	0xDB					KPY11MIS	KPY10MIS	KPY9MIS	KPY8MIS
GPIOIC0	0xDC	KPX7IC	KPX6IC	KPX5IC	KPX4IC	KPX3IC	KPX2IC	KPX1IC	KPX0IC
GPIOIC1	0xDD	KPY7IC	KPY6IC	KPY5IC	KPY4IC	KPY3IC	KPY2IC	KPY1IC	KPY0IC
GPIOIC2	0xDE					KPY11IC	KPY10IC	KPY9IC	KPY8IC
GPIOOME0	0xE0	KPX7ODE	KPX6ODE	KPX5ODE	KPX4ODE	KPX3ODE	KPX2ODE	KPX1ODE	KPX0ODE
GPIOOMS0	0xE1	KPX7ODM	KPX6ODM	KPX5ODM	KPX4ODM	KPX3ODM	KPX2ODM	KPX1ODM	KPX0ODM
GPIOOME1	0xE2	KPY7ODE	KPY6ODE	KPY5ODE	KPY4ODE	KPY3ODE	KPY2ODE	KPY1ODE	KPY0ODE
GPIOOMS1	0xE3	KPY7ODM	KPY6ODM	KPY5ODM	KPY4ODM	KPY3ODM	KPY2ODM	KPY1ODM	KPY0ODM
GPIOOME2	0xE4					KPY11ODE	KPY10ODE	KPY9ODE	KPY8ODE
GPIOOMS2	0xE5					KPY11ODM	KPY10ODM	KPY9ODM	KPY8ODM
GPIOWAKE0	0xE9	KPX7 WAKE	KPX6 WAKE	KPX5 WAKE	KPX4 WAKE	KPX3 WAKE	KPX2 WAKE	KPX1 WAKE	KPX0 WAKE
GPIOWAKE1	0xEA	KPY7 WAKE	KPY6 WAKE	KPY5 WAKE	KPY4 WAKE	KPY3 WAKE	KPY2 WAKE	KPY1 WAKE	KPY0 WAKE
GPIOWAKE2	0xEB					KPY11 WAKE	KPY10 WAKE	KPY9 WAKE	KPY8 WAKE

---

**REVISION HISTORY**

<b>Changes from Original (March 2013) to Revision A</b>	<b>Page</b>
• Changed layout of National Data Sheet to TI format .....	<a href="#">48</a>

---

**PACKAGING INFORMATION**

Orderable Device	Status (1)	Package Type	Package Drawing	Pins	Package Qty	Eco Plan (2)	Lead/Ball Finish	MSL Peak Temp (3)	Op Temp (°C)	Top-Side Markings (4)	Samples
LM8328TME/NOPB	ACTIVE	DSBGA	YFQ	25	250	Green (RoHS & no Sb/Br)	SNAGCU	Level-1-260C-UNLIM		2731	<a href="#">Samples</a>
LM8328TMX/NOPB	ACTIVE	DSBGA	YFQ	25	3000	Green (RoHS & no Sb/Br)	SNAGCU	Level-1-260C-UNLIM		2731	<a href="#">Samples</a>

(1) The marketing status values are defined as follows:

**ACTIVE:** Product device recommended for new designs.

**LIFEBUY:** TI has announced that the device will be discontinued, and a lifetime-buy period is in effect.

**NRND:** Not recommended for new designs. Device is in production to support existing customers, but TI does not recommend using this part in a new design.

**PREVIEW:** Device has been announced but is not in production. Samples may or may not be available.

**OBSOLETE:** TI has discontinued the production of the device.

(2) Eco Plan - The planned eco-friendly classification: Pb-Free (RoHS), Pb-Free (RoHS Exempt), or Green (RoHS & no Sb/Br) - please check <http://www.ti.com/productcontent> for the latest availability information and additional product content details.

**TBD:** The Pb-Free/Green conversion plan has not been defined.

**Pb-Free (RoHS):** TI's terms "Lead-Free" or "Pb-Free" mean semiconductor products that are compatible with the current RoHS requirements for all 6 substances, including the requirement that lead not exceed 0.1% by weight in homogeneous materials. Where designed to be soldered at high temperatures, TI Pb-Free products are suitable for use in specified lead-free processes.

**Pb-Free (RoHS Exempt):** This component has a RoHS exemption for either 1) lead-based flip-chip solder bumps used between the die and package, or 2) lead-based die adhesive used between the die and leadframe. The component is otherwise considered Pb-Free (RoHS compatible) as defined above.

**Green (RoHS & no Sb/Br):** TI defines "Green" to mean Pb-Free (RoHS compatible), and free of Bromine (Br) and Antimony (Sb) based flame retardants (Br or Sb do not exceed 0.1% by weight in homogeneous material)

(3) MSL, Peak Temp. -- The Moisture Sensitivity Level rating according to the JEDEC industry standard classifications, and peak solder temperature.

(4) Multiple Top-Side Markings will be inside parentheses. Only one Top-Side Marking contained in parentheses and separated by a "~" will appear on a device. If a line is indented then it is a continuation of the previous line and the two combined represent the entire Top-Side Marking for that device.

**Important Information and Disclaimer:** The information provided on this page represents TI's knowledge and belief as of the date that it is provided. TI bases its knowledge and belief on information provided by third parties, and makes no representation or warranty as to the accuracy of such information. Efforts are underway to better integrate information from third parties. TI has taken and continues to take reasonable steps to provide representative and accurate information but may not have conducted destructive testing or chemical analysis on incoming materials and chemicals. TI and TI suppliers consider certain information to be proprietary, and thus CAS numbers and other limited information may not be available for release.

In no event shall TI's liability arising out of such information exceed the total purchase price of the TI part(s) at issue in this document sold by TI to Customer on an annual basis.

**TAPE AND REEL INFORMATION**

**QUADRANT ASSIGNMENTS FOR PIN 1 ORIENTATION IN TAPE**


\*All dimensions are nominal

Device	Package Type	Package Drawing	Pins	SPQ	Reel Diameter (mm)	Reel Width W1 (mm)	A0 (mm)	B0 (mm)	K0 (mm)	P1 (mm)	W (mm)	Pin1 Quadrant
LM8328TME/NOPB	DSBGA	YFQ	25	250	178.0	8.4	2.08	2.08	0.76	4.0	8.0	Q1
LM8328TMX/NOPB	DSBGA	YFQ	25	3000	178.0	8.4	2.08	2.08	0.76	4.0	8.0	Q1

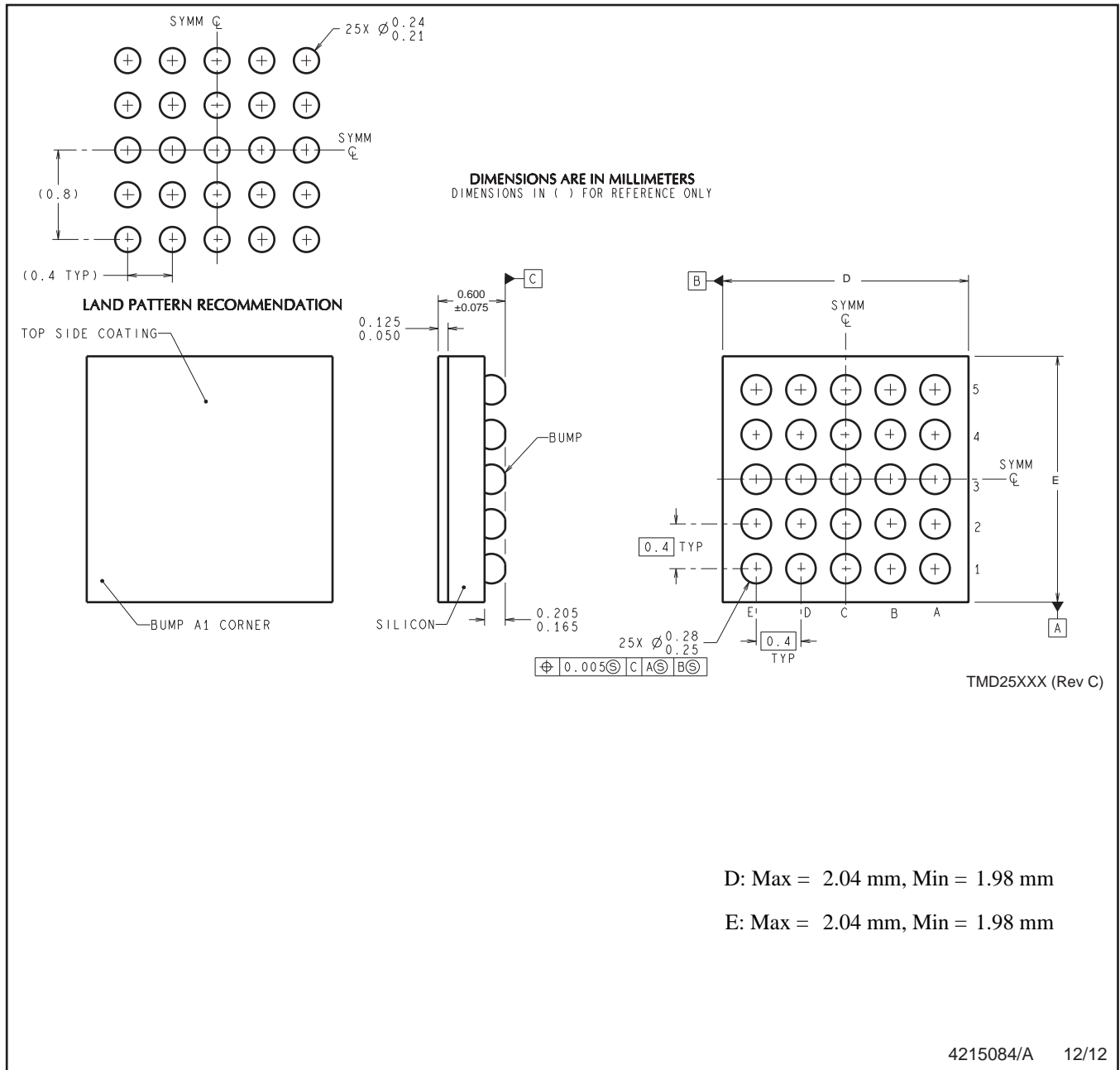
**TAPE AND REEL BOX DIMENSIONS**



\*All dimensions are nominal

Device	Package Type	Package Drawing	Pins	SPQ	Length (mm)	Width (mm)	Height (mm)
LM8328TME/NOPB	DSBGA	YFQ	25	250	210.0	185.0	35.0
LM8328TMX/NOPB	DSBGA	YFQ	25	3000	210.0	185.0	35.0

YFQ0025



NOTES: A. All linear dimensions are in millimeters. Dimensioning and tolerancing per ASME Y14.5M-1994.  
B. This drawing is subject to change without notice.

4215084/A 12/12

## IMPORTANT NOTICE

Texas Instruments Incorporated and its subsidiaries (TI) reserve the right to make corrections, enhancements, improvements and other changes to its semiconductor products and services per JESD46, latest issue, and to discontinue any product or service per JESD48, latest issue. Buyers should obtain the latest relevant information before placing orders and should verify that such information is current and complete. All semiconductor products (also referred to herein as "components") are sold subject to TI's terms and conditions of sale supplied at the time of order acknowledgment.

TI warrants performance of its components to the specifications applicable at the time of sale, in accordance with the warranty in TI's terms and conditions of sale of semiconductor products. Testing and other quality control techniques are used to the extent TI deems necessary to support this warranty. Except where mandated by applicable law, testing of all parameters of each component is not necessarily performed.

TI assumes no liability for applications assistance or the design of Buyers' products. Buyers are responsible for their products and applications using TI components. To minimize the risks associated with Buyers' products and applications, Buyers should provide adequate design and operating safeguards.

TI does not warrant or represent that any license, either express or implied, is granted under any patent right, copyright, mask work right, or other intellectual property right relating to any combination, machine, or process in which TI components or services are used. Information published by TI regarding third-party products or services does not constitute a license to use such products or services or a warranty or endorsement thereof. Use of such information may require a license from a third party under the patents or other intellectual property of the third party, or a license from TI under the patents or other intellectual property of TI.

Reproduction of significant portions of TI information in TI data books or data sheets is permissible only if reproduction is without alteration and is accompanied by all associated warranties, conditions, limitations, and notices. TI is not responsible or liable for such altered documentation. Information of third parties may be subject to additional restrictions.

Resale of TI components or services with statements different from or beyond the parameters stated by TI for that component or service voids all express and any implied warranties for the associated TI component or service and is an unfair and deceptive business practice. TI is not responsible or liable for any such statements.

Buyer acknowledges and agrees that it is solely responsible for compliance with all legal, regulatory and safety-related requirements concerning its products, and any use of TI components in its applications, notwithstanding any applications-related information or support that may be provided by TI. Buyer represents and agrees that it has all the necessary expertise to create and implement safeguards which anticipate dangerous consequences of failures, monitor failures and their consequences, lessen the likelihood of failures that might cause harm and take appropriate remedial actions. Buyer will fully indemnify TI and its representatives against any damages arising out of the use of any TI components in safety-critical applications.

In some cases, TI components may be promoted specifically to facilitate safety-related applications. With such components, TI's goal is to help enable customers to design and create their own end-product solutions that meet applicable functional safety standards and requirements. Nonetheless, such components are subject to these terms.

No TI components are authorized for use in FDA Class III (or similar life-critical medical equipment) unless authorized officers of the parties have executed a special agreement specifically governing such use.

Only those TI components which TI has specifically designated as military grade or "enhanced plastic" are designed and intended for use in military/aerospace applications or environments. Buyer acknowledges and agrees that any military or aerospace use of TI components which have **not** been so designated is solely at the Buyer's risk, and that Buyer is solely responsible for compliance with all legal and regulatory requirements in connection with such use.

TI has specifically designated certain components as meeting ISO/TS16949 requirements, mainly for automotive use. In any case of use of non-designated products, TI will not be responsible for any failure to meet ISO/TS16949.

### Products

Audio	<a href="http://www.ti.com/audio">www.ti.com/audio</a>
Amplifiers	<a href="http://amplifier.ti.com">amplifier.ti.com</a>
Data Converters	<a href="http://dataconverter.ti.com">dataconverter.ti.com</a>
DLP® Products	<a href="http://www.dlp.com">www.dlp.com</a>
DSP	<a href="http://dsp.ti.com">dsp.ti.com</a>
Clocks and Timers	<a href="http://www.ti.com/clocks">www.ti.com/clocks</a>
Interface	<a href="http://interface.ti.com">interface.ti.com</a>
Logic	<a href="http://logic.ti.com">logic.ti.com</a>
Power Mgmt	<a href="http://power.ti.com">power.ti.com</a>
Microcontrollers	<a href="http://microcontroller.ti.com">microcontroller.ti.com</a>
RFID	<a href="http://www.ti-rfid.com">www.ti-rfid.com</a>
OMAP Applications Processors	<a href="http://www.ti.com/omap">www.ti.com/omap</a>
Wireless Connectivity	<a href="http://www.ti.com/wirelessconnectivity">www.ti.com/wirelessconnectivity</a>

### Applications

Automotive and Transportation	<a href="http://www.ti.com/automotive">www.ti.com/automotive</a>
Communications and Telecom	<a href="http://www.ti.com/communications">www.ti.com/communications</a>
Computers and Peripherals	<a href="http://www.ti.com/computers">www.ti.com/computers</a>
Consumer Electronics	<a href="http://www.ti.com/consumer-apps">www.ti.com/consumer-apps</a>
Energy and Lighting	<a href="http://www.ti.com/energy">www.ti.com/energy</a>
Industrial	<a href="http://www.ti.com/industrial">www.ti.com/industrial</a>
Medical	<a href="http://www.ti.com/medical">www.ti.com/medical</a>
Security	<a href="http://www.ti.com/security">www.ti.com/security</a>
Space, Avionics and Defense	<a href="http://www.ti.com/space-avionics-defense">www.ti.com/space-avionics-defense</a>
Video and Imaging	<a href="http://www.ti.com/video">www.ti.com/video</a>

### TI E2E Community

[e2e.ti.com](http://e2e.ti.com)



Компания «Life Electronics» занимается поставками электронных компонентов импортного и отечественного производства от производителей и со складов крупных дистрибьюторов Европы, Америки и Азии.

С конца 2013 года компания активно расширяет линейку поставок компонентов по направлению коаксиальный кабель, кварцевые генераторы и конденсаторы (керамические, пленочные, электролитические), за счёт заключения дистрибьюторских договоров

Мы предлагаем:

- Конкурентоспособные цены и скидки постоянным клиентам.
- Специальные условия для постоянных клиентов.
- Подбор аналогов.
- Поставку компонентов в любых объемах, удовлетворяющих вашим потребностям.
- Приемлемые сроки поставки, возможна ускоренная поставка.
- Доставку товара в любую точку России и стран СНГ.
- Комплексную поставку.
- Работу по проектам и поставку образцов.
- Формирование склада под заказчика.
- Сертификаты соответствия на поставляемую продукцию (по желанию клиента).
- Тестирование поставляемой продукции.
- Поставку компонентов, требующих военную и космическую приемку.
- Входной контроль качества.
- Наличие сертификата ISO.

В составе нашей компании организован Конструкторский отдел, призванный помогать разработчикам, и инженерам.

Конструкторский отдел помогает осуществить:

- Регистрацию проекта у производителя компонентов.
- Техническую поддержку проекта.
- Защиту от снятия компонента с производства.
- Оценку стоимости проекта по компонентам.
- Изготовление тестовой платы монтаж и пусконаладочные работы.



Тел: +7 (812) 336 43 04 (многоканальный)

Email: [org@lifeelectronics.ru](mailto:org@lifeelectronics.ru)