

## Delay capacitor adjustable voltage detectors with sense pin isolation

## ■ GENERAL DESCRIPTION

The XC6133 series are ultra-small delay capacitor adjustable type voltage detectors that have high accuracy and sense pin isolation. High accuracy and a low supply current are achieved by means of a CMOS process, a highly accurate reference power supply, and laser trimming technology.

The sense pin is isolated from the power input pin to enable monitoring of the voltage of another power supply. Output can be maintained in the detection state even if the voltage of the power supply that is monitored drops to 0V. The sense pin is also suitable for detecting high voltages, and the detection and release voltage can be set as desired using external resistors.

An internal delay circuit is also provided. By connecting a capacitor to the Cd/MRB pin, any release delay time and detect delay time can be set, and the pin can also be used as a manual reset pin.

## ■ APPLICATIONS

- Microcontroller reset and malfunction monitoring
- Battery voltage monitoring
- System power-on reset
- Power failure detection

## ■ FEATURES

|   |   |
|---|---|
| Operating Ambient Temperature             | : -40°C~+125°C  |
| Operating voltage range                   | : 1.6V~6.0V   |
| Detect voltage range                      | : 1.0V~5.0V   |
| Detect voltage accuracy<br>(Ta=25°C)      | : ±18mV(V <sub>DF</sub> <1.5V)<br>: ±1.2%(1.5V≤V <sub>DF</sub> ≤3.0V)<br>: ±1.5%(3.1V≤V <sub>DF</sub> ≤5.0V)        |
| Detect voltage accuracy<br>(Ta=-40~125°C) | : ±36mV(V <sub>DF</sub> <1.5V)<br>: ±2.7%(1.5V≤V <sub>DF</sub> ≤3.0V)<br>: ±3.0%(3.1V≤V <sub>DF</sub> ≤5.0V)        |
| Temperature Characteristics               | : ±50ppm/°C(TYP.)   |
| Hysteresis width                          | : V <sub>DF</sub> ×5.0%(TYP.)   |
| Low supply current                        | : 1.28μA(TYP.)<br>V <sub>IN</sub> =1.6V(At detection)<br>: 1.65μA(TYP.)<br>V <sub>IN</sub> =6.0V(At release)        |
| Manual reset function                     | : Yes (For details, refer to<br>FUNCTION CHART)   |
| Output type                               | : CMOS or Nch open drain  |
| Output logic                              | : H level or L level at detection   |
| Delay capacitance pin                     | : Release delay / detection delay<br>can be set in 5 time ratio options<br>(For details, refer to Selection Guide). |
| Packages                                  | : USP-6C,SOT-26   |
| Environmentally friendly                  | : EU RoHS compliant, Pb free  |

## ■ TYPICAL APPLICATION CIRCUIT ■ TYPICAL PERFORMANCE CHARACTERISTICS



(\*1.Unused for the CMOS output products)



## ■ BLOCK DIAGRAMS

(1)XC6133C Series A/B/C/D/L type (RESET OUTPUT: CMOS/Active High)



\* Diodes inside the circuit are an ESD protection diode and a parasitic diode.

(2)XC6133C Series E/F/H/K/M type (RESETB OUTPUT: CMOS/Active Low)



\* Diodes inside the circuit are an ESD protection diode and a parasitic diode.

■ BLOCK DIAGRAMS (Continued)

(3)XC6133N Series A/B/C/D/L type (RESET OUTPUT: Nch open drain/Active High)



\* Diodes inside the circuit are an ESD protection diode and a parasitic diode.

(4)XC6133N Series E/F/H/K/M type (RESETB OUTPUT: Nch open drain/Active Low)



\* Diodes inside the circuit are an ESD protection diode and a parasitic diode.

## PRODUCT CLASSIFICATION

### Ordering Information

XC6133①②③④⑤⑥-⑦<sup>(\*)</sup>

| DESIGNATOR          | ITEM                  | SYMBOL | DESCRIPTION              |
|---------------------|-----------------------|--------|--------------------------|
| ①                   | Output Configuration  | C      | CMOS output              |
|                     |                       | N      | Nch open drain output    |
| ②③                  | Detect Voltage        | 10~50  | e.g. 1.0V → ②=1, ③=0     |
| ④                   | TYPE                  | A~M    | Refer to Selection Guide |
| ⑤⑥-⑦ <sup>(*)</sup> | Packages (Order Unit) | MR-G   | SOT-26 (3,000pcs/Reel)   |
|                     |                       | ER-G   | USP-6C (3,000pcs/Reel)   |

<sup>(\*)</sup> The "-G" suffix denotes Halogen and Antimony free as well as being fully EU RoHS compliant.

### Selection Guide

| TYPE | RESET/RESETB OUTPUT        | DELAY(Rp:Rn) |             | HYSTERESIS |
|------|----------------------------|--------------|-------------|------------|
| A    | Active High <sup>(*)</sup> | 1:0          | 144kΩ:0Ω    | 5.0%(TYP)  |
| B    | ↑                          | 1:0.125      | 144kΩ:18kΩ  | ↑          |
| C    | ↑                          | 1:1          | 144kΩ:144kΩ | ↑          |
| D    | ↑                          | 2:1          | 288kΩ:144kΩ | ↑          |
| L    | ↑                          | 0.076:1      | 11kΩ:144kΩ  | ↑          |
| E    | Active Low <sup>(*)</sup>  | 1:0          | 144kΩ:0Ω    | ↑          |
| F    | ↑                          | 1:0.125      | 144kΩ:18kΩ  | ↑          |
| H    | ↑                          | 1:1          | 144kΩ:144kΩ | ↑          |
| K    | ↑                          | 2:1          | 288kΩ:144kΩ | ↑          |
| M    | ↑                          | 0.076:1      | 11kΩ:144kΩ  | ↑          |

<sup>(\*)</sup> "Active High" is H level when detection occurs, and "Active Low" is L level when detection occurs.

## ■ PIN CONFIGURATION

### ● A/B/C/D/L type



SOT-26  
(TOP VIEW)



USP-6C  
(BOTTOM VIEW)

### ● E/F/H/K/M type



SOT-26  
(TOP VIEW)



USP-6C  
(BOTTOM VIEW)

\*The dissipation pad for the USP-6C package should be solder-plated in reference mount pattern and metal masking so as to enhance mounting strength and heat release. If the pad needs to be connected to other pins, it should be connected to  $V_{SS}$  (No. 5) pin.

## ■ PIN ASSIGNMENT

| PIN NUMBER |        | PIN NAME  | FUNCTION                                       |
|------------|--------|-----------|--|
| SOT-26     | USP-6C |           |  |
| 1          | 3      | $V_{IN}$  | Power Input                                    |
| 2          | 2      | RESETB    | Reset Output (Active Low) <sup>(*)</sup>       |
|            |        | RESET     | Reset Output (Active High) <sup>(*)</sup>      |
| 3          | 1      | NC        | No Connection                                  |
| 4          | 6      | $V_{SEN}$ | Voltage Sense                                  |
| 5          | 5      | $V_{SS}$  | Ground   |
| 6          | 4      | Cd/MRB    | Adjustable Pin for Delay Time/<br>Manual Reset |

<sup>(\*)</sup> Refer to the ④ in Ordering Information table.

# XC6133 Series

## FUNCTION CHART

| PIN NAME | SIGNAL | STATUS                                   |
|----------|--------|--|
| Cd/MRB   | L      | Forced Reset                             |
|          | H      | For details, refer to " Function Chart " |
|          | OPEN   | Normal Operation                         |

### Function Chart

$1.6V \leq V_{IN} \leq 6.0V$

| $V_{SEN}$                       | $V_{Cd/MRB}$              | Transition of $V_{RESET}$ Condition | Transition of $V_{RESETB}$ Condition |
|---------------------------------|---------------------------|-------------------------------------|--------------------------------------|
|                                 |                           | TYPE:A/B/C/D/L                      | TYPE:E/F/H/K/M                       |
| $V_{SEN} \geq V_{DF} + V_{HYS}$ | $V_{Cd/MRB} \leq V_{MRL}$ | Reset (High Level) <sup>(*)2</sup>  | Reset (Low Level) <sup>(*)1</sup>    |
|                                 | $V_{Cd/MRB} \geq V_{MRH}$ | Release (Low Level) <sup>(*)1</sup> | Release (High Level) <sup>(*)2</sup> |
| $V_{SEN} \leq V_{DF}$           | $V_{Cd/MRB} \leq V_{MRL}$ | Reset (High Level) <sup>(*)2</sup>  | Reset (Low Level) <sup>(*)1</sup>    |
|                                 | $V_{Cd/MRB} \geq V_{MRH}$ | Undefined <sup>(*)3</sup>           | Undefined <sup>(*)3</sup>            |

<sup>(\*)1</sup> CMOS output:  $V_{IN} \times 0.1$  or less, N-ch open drain output, pull-up voltage  $\times 0.1$  or less.

<sup>(\*)2</sup> CMOS output:  $V_{IN} \times 0.9$  or higher, N-ch open drain output, pull-up voltage  $\times 0.9$  or higher.

<sup>(\*)3</sup> For details, refer to page 16 <Manual reset function>.

## ABSOLUTE MAXIMUM RATINGS

$T_a = 25^\circ\text{C}$

| PARAMETER                     | SYMBOL                   | RATINGS                                     | UNITS            |
|-------------------------------|--------------------------|---|------------------|
| Input Voltage                 | $V_{IN}$                 | -0.3~+7.0                                   | V                |
| $V_{SEN}$ Pin Voltage         | $V_{SEN}$                | -0.3~+7.0                                   | V                |
| Cd/MRB Pin Voltage            | $V_{Cd/MRB}$             | -0.3~+ $V_{IN}+0.3$ or +7.0 <sup>(*)1</sup> | V                |
| Output Voltage                | $V_{RESETB}$ $V_{RESET}$ | -0.3~+ $V_{IN}+0.3$ or +7.0 <sup>(*)1</sup> | V                |
|                               |                          |   |                  |
| Cd/MRB Pin Current            | $I_{Cd/MRB}$             | $\pm 5.0$                                   | mA               |
| Output Current                | $I_{RBOUT}$ $I_{ROUT}$   | $\pm 50$                                    | mA               |
|                               |                          | +50   | mA               |
| Power Dissipation             | SOT-26                   | 250   | mW               |
|                               | USP-6C                   | 100   | mW               |
| Operating Ambient Temperature | $T_{opr}$                | -40~+125                                    | $^\circ\text{C}$ |
| Storage Temperature           | $T_{stg}$                | -55~+125                                    | $^\circ\text{C}$ |

\* All voltages are described based on the  $V_{SS}$ .

<sup>(\*)1</sup> The maximum value should be either  $V_{IN}+0.3$  or +7.0 in the lowest.

<sup>(\*)2</sup> CMOS Output

<sup>(\*)3</sup> N-ch Open Drain Output

## ELECTRICAL CHARACTERISTICS

| PARAMETER                                      | SYMBOL  | CONDITIONS  | Ta=25°C                      |                          |                              | -40°C ≤ Ta ≤ 125°C <sup>(*)5</sup> |                          |                              | UNITS  | CIRCUIT |
|--|---|---|------------------------------|--------------------------|------------------------------|------------------------------------|--------------------------|------------------------------|--------|---------|
|  |   |   | MIN.                         | TYP.                     | MAX.                         | MIN.                               | TYP.                     | MAX.                         |        |         |
| Operating Voltage                              | V <sub>IN</sub>                                       |   | 1.6                          |                          | 6.0                          | 1.6                                |                          | 6.0                          | V      |         |
| V <sub>SEN</sub> Input Voltage                 | V <sub>SEN</sub>                                      |   | 0                            |                          | 6.0                          | 0                                  |                          | 6.0                          | V      |         |
| Detect Voltage                                 | V <sub>DF</sub>                                       | V <sub>DF(T)</sub> <sup>(*)1</sup> =1.0V~1.4V   | V <sub>DF(T)</sub><br>-18mV  | V <sub>DF(T)</sub>       | V <sub>DF(T)</sub><br>+18mV  | V <sub>DF(T)</sub><br>-36mV        | V <sub>DF(T)</sub>       | V <sub>DF(T)</sub><br>+36mV  | V      | ①       |
|  |   | V <sub>DF(T)</sub> <sup>(*)1</sup> =1.5V~3.0V   | V <sub>DF(T)</sub><br>×0.988 | V <sub>DF(T)</sub>       | V <sub>DF(T)</sub><br>×1.012 | V <sub>DF(T)</sub><br>×0.973       | V <sub>DF(T)</sub>       | V <sub>DF(T)</sub><br>×1.027 |        |         |
|  |   | V <sub>DF(T)</sub> <sup>(*)1</sup> =3.1V~5.0V   | V <sub>DF(T)</sub><br>×0.985 | V <sub>DF(T)</sub>       | V <sub>DF(T)</sub><br>×1.015 | V <sub>DF(T)</sub><br>×0.970       | V <sub>DF(T)</sub>       | V <sub>DF(T)</sub><br>×1.030 | V      |         |
| Temperature Characteristics                    | $\frac{\Delta V_{DF}}{(\Delta T_{opr} \cdot V_{DF})}$ | -40°C ≤ Topr ≤ 125°C  | -                            | ±50                      | -                            | -                                  | ±50                      | -                            | ppm/°C |         |
| Hysteresis Width                               | V <sub>HYS</sub>                                      |   | V <sub>DF</sub><br>×0.03     | V <sub>DF</sub><br>×0.05 | V <sub>DF</sub><br>×0.07     | V <sub>DF</sub><br>×0.02           | V <sub>DF</sub><br>×0.05 | V <sub>DF</sub><br>×0.08     | V      |         |
| Supply Current 1                               | I <sub>ss1</sub>                                      | V <sub>SEN</sub> =V <sub>DF</sub> ×0.9V,<br>V <sub>IN</sub> =1.6V                           | -                            | 1.28                     | 2.65                         | -                                  | 1.28                     | 3.92                         | μA     | ②       |
|  |   | V <sub>SEN</sub> =V <sub>DF</sub> ×0.9V,<br>V <sub>IN</sub> =6.0V                           | -                            | 1.36                     | 2.80                         | -                                  | 1.36                     | 4.22                         |        |         |
| Supply Current 2                               | I <sub>ss2</sub>                                      | V <sub>SEN</sub> =V <sub>DF</sub> ×1.1V,<br>V <sub>IN</sub> =1.6V                           | -                            | 1.32                     | 2.75                         | -                                  | 1.32                     | 4.26                         |        |         |
|  |   | V <sub>SEN</sub> =V <sub>DF</sub> ×1.1V,<br>V <sub>IN</sub> =6.0V                           | -                            | 1.65                     | 3.25                         | -                                  | 1.65                     | 4.97                         |        |         |
| SENSE Resistance                               | R <sub>SEN</sub>                                      | V <sub>IN</sub> =6.0V, V <sub>SEN</sub> =6.0V   | E-1 <sup>(*)2</sup>          |                          | -                            | E-2 <sup>(*)2</sup>                |                          | -                            | MΩ     | ③       |
| Release Delay Resistance<br>(TYPE:A/B/C/E/F/H) | R <sub>p</sub>  | V <sub>IN</sub> =6.0V, V <sub>SEN</sub> =6.0V,<br>V <sub>Cd/MRB</sub> =0V                   | 130                          | 144                      | 158                          | 122                                | 144                      | 166                          |        |         |
| Release Delay Resistance<br>(TYPE:D/K)         |   | V <sub>IN</sub> =6.0V, V <sub>SEN</sub> =6.0V,<br>V <sub>Cd/MRB</sub> =0V                   | 259                          | 288                      | 317                          | 245                                | 288                      | 331                          |        |         |
| Release Delay Resistance<br>(TYPE:L/M)         |   | V <sub>IN</sub> =6.0V, V <sub>SEN</sub> =6.0V,<br>V <sub>Cd/MRB</sub> =0V                   | 8.3                          | 11                       | 18.4                         | 7.6                                | 11                       | 20.0                         |        |         |
| Detect Delay Resistance<br>(TYPE:C/D/H/K/L/M)  | R <sub>n</sub>  | V <sub>IN</sub> =6.0V, V <sub>SEN</sub> =0V,<br>V <sub>Cd/MRB</sub> =6.0V                   | 130                          | 144                      | 158                          | 122                                | 144                      | 166                          |        |         |
| Detect Delay Resistance<br>(TYPE:B/F)          |   | V <sub>IN</sub> =6.0V, V <sub>SEN</sub> =0V,<br>V <sub>Cd/MRB</sub> =6.0V                   | 16.8                         | 18                       | 19.1                         | 16.2                               | 18                       | 19.8                         |        |         |
| Release Delay Time <sup>(*)3</sup>             | t <sub>DR0</sub>                                      | V <sub>IN</sub> =6.0V,<br>V <sub>SEN</sub> =V <sub>DF</sub> ×0.9V→<br>V <sub>DF</sub> ×1.1V | -                            | 20                       | 102                          | -                                  | 20                       | 136                          | μs     | ⑤       |
| Detect Delay Time <sup>(*)4</sup>              | t <sub>DF0</sub>                                      | V <sub>IN</sub> =6.0V,<br>V <sub>SEN</sub> =V <sub>DF</sub> ×1.1V→<br>V <sub>DF</sub> ×0.9V | -                            | 20                       | 82                           | -                                  | 20                       | 116                          |        |         |

Unless otherwise specified in measurement conditions, Cd/MRB pin is open.

(\*) V<sub>DF(T)</sub>: Nominal detect voltage

(\*)2 For V<sub>IN</sub> conditions, refer to SPEC TABLE (p.10).

(\*)3 RESETB product: Time from when the V<sub>SEN</sub> pin voltage reaches the release voltage until the reset output pin reaches 5.4V (V<sub>IN</sub>×90%).

RESET product: Time from when the V<sub>SEN</sub> pin voltage reaches the release voltage until the reset output pin reaches 0.6V (V<sub>IN</sub>×10%)

Release voltage (V<sub>DR</sub>)=Detect voltage (V<sub>DF</sub>)+Hysteresis width (V<sub>HYS</sub>).

(\*)4 RESETB product: Time from when the V<sub>SEN</sub> pin voltage reaches the detect voltage until the reset output pin reaches 0.6V (V<sub>IN</sub>×10%).

RESET product: Time from when the V<sub>SEN</sub> pin voltage reaches the detect voltage until the reset output pin reaches 5.4V (V<sub>IN</sub>×90%).

(\*)5 The ambient temperature range (-40°C ≤ Ta ≤ 125°C) is a design Value.

# XC6133 Series

## ELECTRICAL CHARACTERISTICS (Continued)

| PARAMETER                        | SYMBOL                            | CONDITIONS   | Ta=25°C |       |      | -40°C ≤ Ta ≤ 125°C <sup>(7)</sup> |       |       | UNITS | CIRCUIT |
|----------------------------------|-----------------------------------|--|---------|-------|------|-----------------------------------|-------|-------|-------|---------|
|                                  |                                   |  | MIN.    | TYP.  | MAX. | MIN.                              | TYP.  | MAX.  |       |         |
| RESETB<br>Output Current         | I <sub>RBOUTN</sub>               | V <sub>SEN</sub> =V <sub>DF</sub> ×0.9V,<br>Nch. V <sub>RESETB</sub> =0.3V                     |         |       |      |                                   |       |       | mA    | ⑥       |
|                                  |                                   | V <sub>IN</sub> =1.6V  | 1.9     | 3.4   | -    | 0.7                               | 3.4   | -     |       |         |
|                                  |                                   | V <sub>IN</sub> =2.0V  | 4.2     | 6.0   | -    | 2.0                               | 6.0   | -     |       |         |
|                                  |                                   | V <sub>IN</sub> =3.0V  | 8.6     | 10.5  | -    | 4.3                               | 10.5  | -     |       |         |
|                                  |                                   | V <sub>IN</sub> =4.0V  | 12.7    | 14.1  | -    | 6.2                               | 14.1  | -     |       |         |
|                                  |                                   | V <sub>IN</sub> =5.0V  | 15.6    | 17.0  | -    | 7.3                               | 17.0  | -     |       |         |
|                                  | V <sub>IN</sub> =6.0V             | 17.8   | 19.2    | -     | 8.1  | 19.2                              | -     |       |       |         |
|                                  | I <sub>RBOUTP</sub>               | V <sub>SEN</sub> =V <sub>DF</sub> ×1.1V,<br>Pch.<br>V <sub>RESETB</sub> =V <sub>IN</sub> -0.3V |         |       |      |                                   |       |       |       |         |
|                                  |                                   | V <sub>IN</sub> =1.6V  | -       | -1.2  | -0.7 | -                                 | -1.2  | -0.48 |       |         |
|                                  |                                   | V <sub>IN</sub> =3.0V  | -       | -3.0  | -2.5 | -                                 | -3.0  | -1.1  |       |         |
| V <sub>IN</sub> =6.0V            |                                   | -  | -4.9    | -4.4  | -    | -4.9                              | -2.5  |       |       |         |
| RESET<br>Output Current          | I <sub>ROUTN</sub>                | V <sub>SEN</sub> =V <sub>DF</sub> ×1.1V,<br>Nch. V <sub>RESET</sub> =0.3V                      |         |       |      |                                   |       |       | mA    | ⑥       |
|                                  |                                   | V <sub>IN</sub> =1.6V  | 1.9     | 3.4   | -    | 0.7                               | 3.4   | -     |       |         |
|                                  |                                   | V <sub>IN</sub> =2.0V  | 4.2     | 6.0   | -    | 2.0                               | 6.0   | -     |       |         |
|                                  |                                   | V <sub>IN</sub> =3.0V  | 8.6     | 10.5  | -    | 4.3                               | 10.5  | -     |       |         |
|                                  |                                   | V <sub>IN</sub> =4.0V  | 12.7    | 14.1  | -    | 6.2                               | 14.1  | -     |       |         |
|                                  |                                   | V <sub>IN</sub> =5.0V  | 15.6    | 17.0  | -    | 7.3                               | 17.0  | -     |       |         |
|                                  | V <sub>IN</sub> =6.0V             | 17.8   | 19.2    | -     | 8.1  | 19.2                              | -     |       |       |         |
|                                  | I <sub>ROUTP</sub>                | V <sub>SEN</sub> =V <sub>DF</sub> ×0.9V,<br>Pch. V <sub>RESET</sub> =V <sub>IN</sub> -0.3V     |         |       |      |                                   |       |       |       |         |
|                                  |                                   | V <sub>IN</sub> =1.6V  | -       | -1.2  | -0.7 | -                                 | -1.2  | -0.48 |       |         |
|                                  |                                   | V <sub>IN</sub> =3.0V  | -       | -3.0  | -2.5 | -                                 | -3.0  | -1.1  |       |         |
| V <sub>IN</sub> =6.0V            |                                   | -  | -4.9    | -4.4  | -    | -4.9                              | -2.5  |       |       |         |
| RESETB Output<br>Leakage Current | I <sub>LEAKN</sub> <sup>(6)</sup> | V <sub>IN</sub> =6.0V, V <sub>SEN</sub> =6.0V,<br>Nch. V <sub>RESETB</sub> =6.0V               | -       | 0.01  | 0.1  | -                                 | 0.01  | 1.0   | μA    | ⑥       |
|                                  | I <sub>LEAKP</sub>                | V <sub>IN</sub> =6.0V, V <sub>SEN</sub> =0V,<br>Pch. V <sub>RESETB</sub> =0V                   | -       | -0.01 | -    | -                                 | -0.01 | -     |       |         |
| RESET Output<br>Leakage Current  | I <sub>LEAKN</sub> <sup>(6)</sup> | V <sub>IN</sub> =6.0V, V <sub>SEN</sub> =0V,<br>Nch. V <sub>RESET</sub> =6.0V                  | -       | 0.01  | 0.1  | -                                 | 0.01  | 1.0   | μA    | ⑥       |
|                                  | I <sub>LEAKP</sub>                | V <sub>IN</sub> =6.0V, V <sub>SEN</sub> =6.0V,<br>Pch. V <sub>RESET</sub> =0V                  | -       | -0.01 | -    | -                                 | -0.01 | -     |       |         |

Unless otherwise specified in measurement conditions, Cd/MRB pin is open.

<sup>(6)</sup> Max. value is for XC6133N (Nch open drain).

<sup>(7)</sup> The ambient temperature range (-40°C ≤ Ta ≤ 125°C) is a design Value.



## ■ ELECTRICAL CHARACTERISTICS (Continued)

| PARAMETER                            | SYMBOL                           | CONDITIONS  | Ta=25°C               |                      |                       | -40°C ≤ Ta ≤ 125°C <sup>(11)</sup> |                      |                       | UNITS | CIRCUIT |
|--------------------------------------|----------------------------------|---|-----------------------|----------------------|-----------------------|------------------------------------|----------------------|-----------------------|-------|---------|
|                                      |                                  |   | MIN.                  | TYP.                 | MAX.                  | MIN.                               | TYP.                 | MAX.                  |       |         |
| Cd Pin Sink Current<br>(TYPE:A/E)    | I <sub>Cd</sub>                  | V <sub>IN</sub> =1.6V,<br>V <sub>Cd/MRB</sub> =0.5V,<br>V <sub>SEN</sub> =0V  | 0.92                  | 1.2                  |                       | 0.66                               | 1.2                  |                       | mA    | ⑦       |
| Cd Pin Threshold<br>Voltage(Release) | V <sub>TCd1</sub>                | V <sub>IN</sub> :1.6V~6.0V,<br>V <sub>SEN</sub> =0V→V <sub>DF</sub> ×1.1V   | V <sub>IN</sub> ×0.46 | V <sub>IN</sub> ×0.5 | V <sub>IN</sub> ×0.54 | V <sub>IN</sub> ×0.46              | V <sub>IN</sub> ×0.5 | V <sub>IN</sub> ×0.54 | V     | ⑧       |
| Cd Pin Threshold<br>Voltage(Detect)  | V <sub>TCd2</sub>                | V <sub>IN</sub> :1.6V~6.0V,<br>V <sub>SEN</sub> =V <sub>DF</sub> ×1.1V→0V   |                       |                      |                       |                                    |                      |                       |       |         |
| MRB High Level<br>Voltage            | V <sub>MRH</sub>                 | V <sub>IN</sub> :1.6V~6.0V,<br>V <sub>SEN</sub> =V <sub>DF</sub> ×1.1V  | V <sub>IN</sub> ×0.55 |                      | V <sub>IN</sub>       | V <sub>IN</sub> ×0.55              |                      | V <sub>IN</sub>       | V     | ⑨       |
| MRB Low Level<br>Voltage             | V <sub>MRL</sub>                 | V <sub>IN</sub> :1.6V~6.0V,<br>V <sub>SEN</sub> =V <sub>DF</sub> ×1.1V  | 0                     |                      | V <sub>IN</sub> ×0.18 | 0                                  |                      | V <sub>IN</sub> ×0.18 | V     |         |
| MRB Minimum<br>Pulse Width           | t <sub>MRIN</sub> <sup>(8)</sup> | V <sub>IN</sub> :Refer to V-1 <sup>(10)</sup> ,<br>V <sub>SEN</sub> =V <sub>DF</sub> ×1.1V,<br>Apply pulse from<br>V <sub>DF</sub> ×1.1V to 0V to the<br>MRB pin. | 5.0                   | -                    | -                     | 5.0                                | -                    | -                     | μs    | ⑩       |
|                                      | t <sub>MRIN</sub> <sup>(9)</sup> |   | 32.0                  |                      |                       | 32.0                               |                      |                       |       |         |

Unless otherwise specified in measurement conditions, Cd/MRB pin is open.

<sup>(8)</sup> Specification is guaranteed for types A/B/C/D/L/E/F/H/K/M of the CMOS output product and types E/F/H/K/M of the Nch open drain product.

<sup>(9)</sup> Specification is guaranteed for types A/B/C/D/L of the Nch open drain output product.

<sup>(10)</sup> For V<sub>IN</sub> conditions, refer to SPEC TABLE (p.10).

<sup>(11)</sup> The ambient temperature range (-40°C ≤ Ta ≤ 125°C) is a design Value.

# XC6133 Series

## ELECTRICAL CHARACTERISTICS (SPEC TABLE)

Table of Characteristics by Voltage Setting

| NOMINAL DETECT<br>VOLTAGE(V) | E-1(Ta=25°C)         |      | E-2(-40°C≤Ta≤125°C)  |      | V-1<br>INPUT<br>VOLTAGE<br>(V) |
|------------------------------|----------------------|------|----------------------|------|--------------------------------|
|                              | SENSE Resistance(MΩ) |      | SENSE Resistance(MΩ) |      |                                |
| V <sub>DF(T)</sub>           | MIN.                 | TYP. | MIN.                 | TYP. |                                |
| 1.0                          | 4.2                  | 13.5 | 3.5                  | 13.5 | 1.6                            |
| 1.1                          | 4.9                  | 14.9 | 4.0                  | 14.9 | ↑                              |
| 1.2                          | 5.5                  | 16.3 | 4.5                  | 16.3 | ↑                              |
| 1.3                          | 6.1                  | 17.7 | 4.9                  | 17.7 | ↑                              |
| 1.4                          | 6.7                  | 19.1 | 5.4                  | 19.1 | ↑                              |
| 1.5                          | 7.4                  | 20.5 | 5.8                  | 20.5 | V <sub>DF</sub> ×1.1           |
| 1.6                          | 8.0                  | 21.8 | 6.3                  | 21.8 | ↑                              |
| 1.7                          | 8.6                  | 23.3 | 6.7                  | 23.3 | ↑                              |
| 1.8                          | 9.2                  | 24.7 | 7.2                  | 24.7 | ↑                              |
| 1.9                          | 9.9                  | 26.0 | 7.6                  | 26.0 | ↑                              |
| 2.0                          | 10.5                 | 27.5 | 8.1                  | 27.5 | ↑                              |
| 2.1                          | 11.1                 | 28.9 | 8.6                  | 28.9 | ↑                              |
| 2.2                          | 18.0                 | 38.3 | 12.1                 | 38.3 | ↑                              |
| 2.3                          | 17.8                 | 37.6 | 11.9                 | 37.6 | ↑                              |
| 2.4                          | 17.5                 | 37.0 | 11.8                 | 37.0 | ↑                              |
| 2.5                          | 17.3                 | 36.5 | 11.7                 | 36.5 | ↑                              |
| 2.6                          | 17.1                 | 36.0 | 11.5                 | 36.0 | ↑                              |
| 2.7                          | 17.0                 | 35.6 | 11.4                 | 35.6 | ↑                              |
| 2.8                          | 16.8                 | 35.2 | 11.3                 | 35.2 | ↑                              |
| 2.9                          | 16.7                 | 34.9 | 11.2                 | 34.9 | ↑                              |
| 3.0                          | 16.5                 | 34.5 | 11.1                 | 34.5 | ↑                              |
| 3.1                          | 16.4                 | 34.2 | 11.0                 | 34.2 | ↑                              |
| 3.2                          | 16.3                 | 34.0 | 11.0                 | 34.0 | ↑                              |
| 3.3                          | 16.2                 | 33.7 | 10.9                 | 33.7 | ↑                              |
| 3.4                          | 16.1                 | 33.5 | 10.8                 | 33.5 | ↑                              |
| 3.5                          | 16.0                 | 33.2 | 10.8                 | 33.2 | ↑                              |
| 3.6                          | 15.9                 | 33.0 | 10.7                 | 33.0 | ↑                              |
| 3.7                          | 15.8                 | 32.8 | 10.7                 | 32.8 | ↑                              |
| 3.8                          | 15.7                 | 32.6 | 10.6                 | 32.6 | ↑                              |
| 3.9                          | 15.7                 | 32.5 | 10.6                 | 32.5 | ↑                              |
| 4.0                          | 15.6                 | 32.3 | 10.5                 | 32.3 | ↑                              |
| 4.1                          | 15.6                 | 32.2 | 10.5                 | 32.2 | ↑                              |
| 4.2                          | 15.5                 | 32.0 | 10.5                 | 32.0 | ↑                              |
| 4.3                          | 15.4                 | 31.9 | 10.4                 | 31.9 | ↑                              |
| 4.4                          | 15.4                 | 31.8 | 10.4                 | 31.8 | ↑                              |
| 4.5                          | 15.3                 | 31.7 | 10.3                 | 31.7 | ↑                              |
| 4.6                          | 15.3                 | 31.5 | 10.3                 | 31.5 | ↑                              |
| 4.7                          | 15.2                 | 31.4 | 10.3                 | 31.4 | ↑                              |
| 4.8                          | 15.2                 | 31.3 | 10.2                 | 31.3 | ↑                              |
| 4.9                          | 15.1                 | 31.2 | 10.2                 | 31.2 | ↑                              |
| 5.0                          | 15.1                 | 30.1 | 10.2                 | 30.1 | ↑                              |

## TEST CIRCUITS

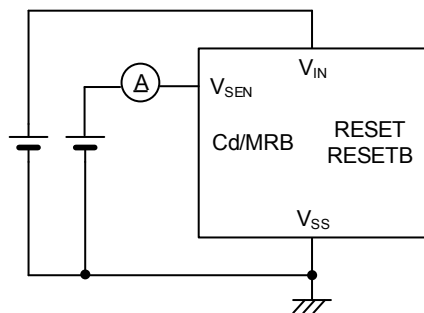
CIRCUIT①



CIRCUIT②



CIRCUIT③



CIRCUIT④



\*\*“RESET” is A/B/C/D/L type, and “RESETB” is E/F/H/K/M type.

## TEST CIRCUITS (Continued)

CIRCUIT⑤



CIRCUIT⑥



CIRCUIT⑦



CIRCUIT⑧



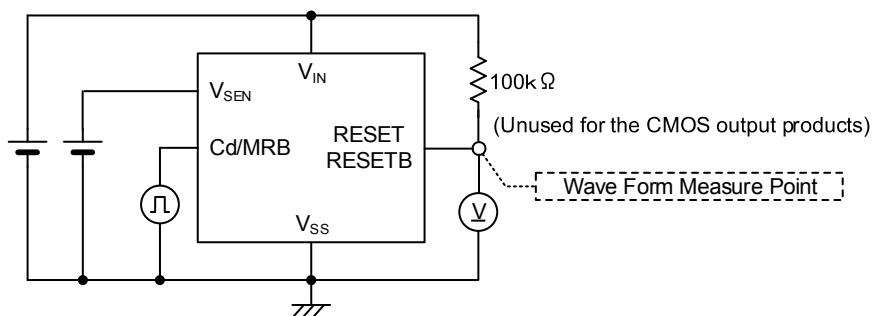
\*"RESET" is A/B/C/D/L type, and "RESETB" is E/F/H/K/M type.

## ■ TEST CIRCUITS (Continued)

CIRCUIT⑨



CIRCUIT⑩

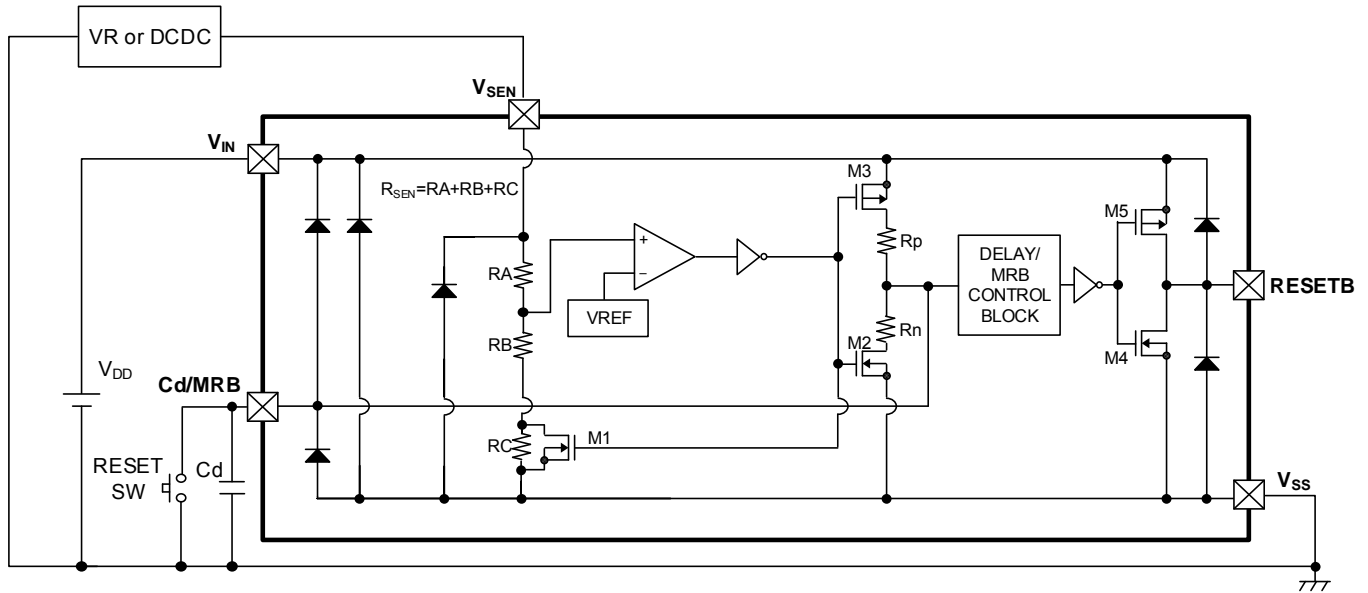


\*"RESET" is A/B/C/D/L type, and "RESETB" is E/F/H/K/M type.

## OPERATIONAL DESCRIPTION

### <Basic Operation>

Fig. 1 shows a typical block diagram. Fig. 2 shows the timing chart of Fig. 1.



\* The XC6133N series (N-ch open drain output) requires a resistor to pull up the output.

Fig. 1: Typical block diagram (Active Low product)

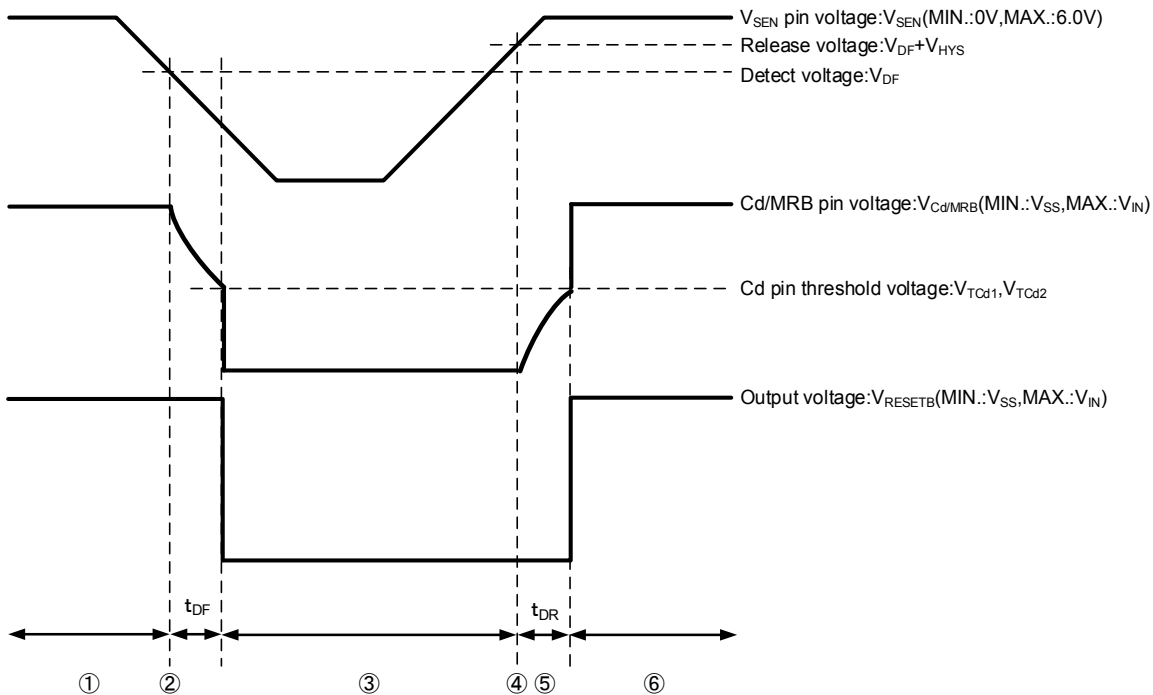


Fig. 2: Timing chart of Fig. 1 ( $V_{IN}=6.0V$ , Active Low)

① In the initial state, a voltage that is sufficiently high (MAX.: 6.0V) with respect to the release voltage is applied to the  $V_{SEN}$  pin, and the delay capacitance  $Cd$  is charged up to the power input pin voltage. The  $V_{SEN}$  pin voltage starts to fall, and during the time until it reaches the detect voltage ( $V_{SEN} > V_{DF}$ ),  $V_{RESETB}$  is High level (=  $V_{IN}$ ). Note: If the pull-up resistor is connected to a power supply other than the power input pin  $V_{IN}$  when using the Nch open drain output (XC6133N), High level will be the voltage of the power supply to which the pull-up resistor is connected.

## ■ OPERATIONAL DESCRIPTION (Continued)

②The  $V_{SEN}$  pin voltage continues to drop, and when it reaches the detect voltage ( $V_{SEN}=V_{DF}$ ), the Nch transistor for delay capacitance discharge turns ON, and discharge of the delay capacitance  $C_d$  starts through the delay resistor  $R_n$ .

The time from  $V_{SEN}=V_{DF}$  until  $V_{RESETB}$  reaches Low level is the detect delay time  $t_{DF}$  (the detect time when the capacitor is not connected to the Cd/MRB pin is  $t_{DF0}$ ). The delay capacitance  $C_d$  is discharged through the delay resistor  $R_n$  when it is above the threshold voltage of  $V_{TCD2}$ . When it is below the threshold voltage of  $V_{TCD2}$ , the delay capacitance  $C_d$  is discharged faster through the internal built-in low impedance switch.

③During the time that the  $V_{SEN}$  pin voltage is below the detect voltage  $V_{DF}$ , the delay capacitance  $C_d$  discharges to ground level. The  $V_{SEN}$  pin starts rising again, and during the time until it reaches the release voltage ( $V_{SEN}<V_{DF}+V_{HYS}$ ),  $V_{RESETB}$  holds Low level.

④The  $V_{SEN}$  pin voltage continues to rise, and when it reaches the release voltage ( $V_{DF}+V_{HYS}$ ), the Nch transistor for delay capacitance discharge turns OFF, and charging of the delay capacitance  $C_d$  through the delay resistor  $R_p$  starts.

The delay capacitance  $C_d$  is discharged through the delay resistor  $R_p$  when it is below the threshold voltage of  $V_{TCD1}$ .

When it is above the threshold voltage of  $V_{TCD1}$ , the delay capacitance  $C_d$  is discharged faster through the internal built-in low impedance switch.

⑤When the Cd/MRB pin voltage reaches  $V_{TCD1}$ ,  $V_{RESETB}$  changes to High level.

The time from  $V_{SEN}=V_{DF}+V_{HYS}$  until the  $V_{RESETB}$  logic changes is the release delay time  $t_{DR}$  (the release time when the capacitor is not connected to the Cd/MRB pin is  $t_{DR0}$ ).

⑥During the time that the  $V_{SEN}$  pin voltage is higher than the detect voltage ( $V_{SEN}>V_{DF}$ ),  $V_{RESETB}$  holds High level.

The above operation description is for an Active Low detection product.

For an Active High product, reverse the logic of the reset pin.

### <High voltage detection circuit example>

High voltage detects battery voltage (+B) which was divided into R1 and R2.

The calculation method for high voltage detection is given below.

For the circuit schematic, refer to Fig. 3: High voltage detection circuit.

$$V_{DF}(H)=V_{DF}(T)\times\{(R1+R2)\div R2\}$$

$$V_{HYS}(H)=V_{HYS}\times\{(R1+R2)\div R2\}$$

$$V_{DR}(H)=V_{DF}(H)+V_{HYS}(H)$$

Example 1: For detecting 12.0V (+B: Battery voltage),  $R1=220k\Omega$  and  $R2=20k\Omega$  are set to divide the battery voltage and the  $V_{SEN}$  pin voltage is set to  $V_{DF}(T)=1.0V$ .

The release voltage  $V_{DR}(T)=1.05V$ (TYP.) and  $V_{HYS}=V_{DR}(T)-V_{DF}(T)=0.05V$ (TYP.) are pre-set inside the IC.

$$V_{DF}(H)=12.0V$$

$$V_{HYS}(H)=0.6V$$

$$V_{DR}(H)=12.6V$$

(Note 1)  $V_{DF}(H)$  is the detect voltage after external adjustment.

(Note 2)  $V_{HYS}(H)$  is the hysteresis range after external adjustment.

(Note 3)  $V_{DR}(H)$  is the release voltage after external adjustment.

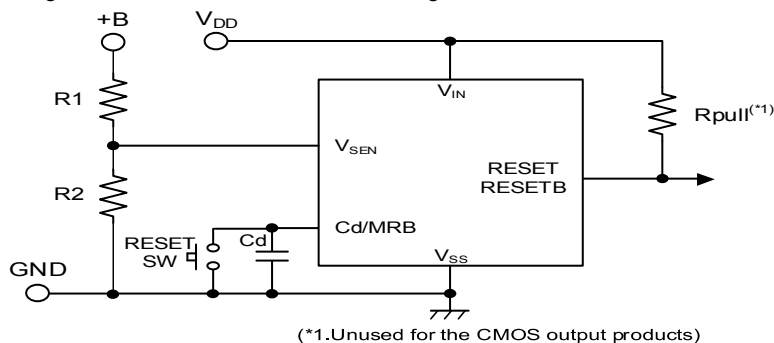
(Note 4)  $V_{DF}(T)$  is the detect voltage.

(Note 5)  $V_{HYS}$  is the hysteresis range inside of the IC.

(Note 6)  $V_{DR}(T)$  is the release voltage.

(Note 7) The R2 resistance is in parallel with the internal  $R_{SEN}$  resistance, and thus to increase the accuracy of the detect voltage and release voltage after external adjustment, select an R2 resistance that is sufficiently small with respect to the  $R_{SEN}$  resistance. For  $R_{SEN}$  resistance values, refer to SPEC TABLE (p.10).

(Note 8) If high voltage is to be detected, divide the voltage with resistors R1 and R2 so that  $V_{SEN}$  pin  $\leq 6V$ .



(\*1.Unused for the CMOS output products)

Fig. 3: High Voltage Detection Circuit

## OPERATIONAL DESCRIPTION (Continued)

### <Release delay time / detect delay time>

The release delay time and detect delay time are determined by the delay resistors ( $R_p$  and  $R_n$ ) and the delay capacitance  $C_d$ . The ratio of the delay resistances ( $R_p$  and  $R_n$ ) is selectable from 5 options. The delay time is adjustable using the combination of delay resistance and delay capacitance value. (Refer to "Selection Guide")

The release delay time ( $t_{DR}$ ) is calculated using Equation (1).

$$t_{DR} = R_p \times C_d \times \{-\ln(1 - V_{TCd1}/V_{IN})\} + t_{DR0} \dots (1) \quad * \ln \text{ is the natural logarithm.}$$

The delay capacitance pin threshold voltage is  $V_{TCd1} = V_{IN}/2$  (TYP.), and thus when

$t_{DR0}$  can be neglected, the release delay time can be calculated simply using Equation (2).

$$t_{DR} = R_p \times C_d \times \{-\ln\{1 - (V_{IN}/2)/V_{IN}\}\} = R_p \times C_d \times 0.693 \dots (2)$$

The detect delay time ( $t_{DF}$ ) is calculated using Equation (3).

$$t_{DF} = R_n \times C_d \times \{-\ln(V_{TCd2}/V_{IN})\} + t_{DF0} \dots (3) \quad * \ln \text{ is the natural logarithm.}$$

The delay capacitance pin threshold voltage is  $V_{TCd2} = V_{IN}/2$  (TYP.), and thus when

$t_{DF0}$  can be neglected, the detect delay can be calculated simply using Equation (4).

$$t_{DF} = R_n \times C_d \times \{-\ln(V_{IN}/2)/V_{IN}\} = R_n \times C_d \times 0.693 \dots (4)$$

Example 2: When type A is selected ( $R_p : R_n = 144k\Omega : 0\Omega$ ), the delay times are as follows:

If  $C_d$  is set to  $0.1\mu F$ ,

$$t_{DR} = 144 \times 10^3 \times 0.1 \times 10^{-6} \times 0.693 = 10ms$$

$t_{DF}$  is the detect delay time ( $t_{DF0}$ ) when the delay capacitance  $C_d$  is not connected.

Example 3: When type B is selected ( $R_p : R_n = 144k\Omega : 18k\Omega$ ), the delay times are as follows:

If  $C_d$  is set to  $0.1\mu F$ ,

$$t_{DR} = 144 \times 10^3 \times 0.1 \times 10^{-6} \times 0.693 = 10ms$$

$$t_{DF} = 18 \times 10^3 \times 0.1 \times 10^{-6} \times 0.693 = 1.25ms$$

(Note 9) The release delay times  $t_{DR}$  in Examples 2 and 3 are the values calculated from Equation (2).

(Note 10) The detect delay time  $t_{DF}$  in Example 3 is the value calculated from Equation (4).

(Note 11) Note that the delay times will vary depending on the actual capacitance value of the delay capacitance  $C_d$ .

### <Manual reset function>

The  $C_d$ /MRB pin can also be used as a manual reset pin.

When the  $C_d$  and RESET switch are connected to the  $C_d$ /MRB pin (refer to Fig.1), and under the release condition, if the RESET switch

turns on, then the detect signal is generated at the RESET/RESETB pin forcibly.

For Active Low type (RESETB), under the release condition, if the RESET switch turns on, then the voltage at the RESETB pin changes from H to L after the detect delay time.

For Active High type (RESET), under the release condition, if the RESET switch turns on, then the voltage at the RESET pin changes from L to H after the detect delay time.

Under the detect condition, the condition will be kept even if the RESET switch turns on and off.

In the case that either H level or L level is fed to the  $C_d$ /MRB pin without the RESET switch, the behavior of the XC6133 follows the timing chart in Fig. 4.

L level is fed to MRB pin under the detect condition, the RESET switch will be kept.

H level is fed to MRB pin under the detect condition, the RESET switch will be undefined.

Even though the voltage at the  $V_{SEN}$  pin changes from a higher voltage than the detect voltage to a lower voltage, as long as H level is fed to the MRB pin, the release condition is kept.

If H level or L level is fed to the  $C_d$ /MRB pin forcibly, then even though  $C_d$  is connected to the pin, the XC6133 can't have any delay time.



Fig. 4: Manual reset operation using the  $C_d$ /MRB pin ( $V_{IN} = 6.0V$ , Active Low)



## ■ NOTES ON USE

- 1) Please use this IC within the stated maximum ratings. For temporary, transitional voltage drop or voltage rising phenomenon, the IC is liable to malfunction should the ratings be exceeded.
- 2) The power input pin voltage may fall due to the flow through current during IC operation and the resistance component between the power supply and the power input pin.  
In the case of CMOS output, a drop in the power input pin voltage may occur in the same way due to the output current. When this happens, if the power input pin voltage drops below the minimum operating voltage, a malfunction may occur.
- 3) Note that large, sharp changes of the power input pin voltage may lead to malfunction.
- 4) Power supply noise is sometimes a cause of malfunction. Sufficiently test using the actual device, such as inserting a capacitor between  $V_{IN}$  and GND.
- 5) There is a possibility that oscillation will occur if the resistances of the  $V_{SEN}$  pin is high. Use a resistance of  $1M\Omega$  or less between the node to monitor and  $V_{SEN}$  pin.
- 6) Exercise caution if  $V_{IN}$  and  $V_{SEN}$  are started in common, as the output will be undefined until  $V_{IN}$  reaches the operating voltage.
- 7) For a manual reset function, in case when the function is activated by feeding either MRB H level or MRB L level to Cd/MRB pin instead of using a reset switch, please note these phenomena below;
  - The RESET output signal will be undefined when MRB H is fed to Cd/MRB pin under the detect condition.
  - The RESET output signal will be undefined based on the voltage relationship between  $V_{SEN}$  pin and Cd/MRB pin.
- 8) When an N-ch open drain output is used, the  $V_{RESETB}$  voltage at detection and release is determined by the pull-up resistance connected to the output pin. Refer to the following when selecting the resistance value.
 

At detection:

$$V_{RESETB} = V_{pull} / (1 + R_{pull} / R_{ON})$$

$V_{pull}$ : Voltage after pull-up  
 $R_{ON}^{(*)}$ : ON resistance of N-ch driver M4 (calculated from  $V_{RESETB} / I_{RBOUTN}$  based on electrical characteristics)

Example: When  $V_{IN} = 2.0V^{(**)}$ ,  $R_{ON} = 0.3/4.2 \times 10^{-3} = 71.4\Omega$  (MAX.).  
 If it is desired to make  $V_{RESETB}$  at detection 0.1V or less when  $V_{pull}$  is 3.0V,  
 $R_{pull} = \{(V_{pull} / V_{RESETB}) - 1\} \times R_{ON} = \{(3/0.1) - 1\} \times 71.4 \approx 2.1k\Omega$

Therefore, to make the output voltage at detection 0.1V or less under the above conditions, the pull-up resistance must be 2.1k $\Omega$  or higher.

(\*) Note that  $R_{ON}$  becomes larger as  $V_{IN}$  becomes smaller.  
 (\*\*) For  $V_{IN}$  in the calculation, use the lowest value of the input voltage range you will use.

At release:

$$V_{RESETB} = V_{pull} / (1 + R_{pull} / R_{off})$$

$V_{pull}$ : Voltage after pull-up  
 $R_{off}$ : Resistance when N-ch driver M4 is OFF (calculated from  $V_{RESETB} / I_{LEAKN}$  based on electrical characteristics)

Example: When  $V_{pull}$  is 6.0V,  $R_{off} = 6 / (0.1 \times 10^{-6}) = 60M\Omega$  (MIN.). If it is desired to make  $V_{RESETB}$  5.99V or higher,  
 $R_{pull} = \{(V_{pull} / V_{RESETB}) - 1\} \times R_{off} = \{(6/5.99) - 1\} \times 60 \times 10^6 \approx 100k\Omega$

Therefore, to make the output voltage at release 5.99V or higher under the above conditions, the pull-up resistance must be 100k $\Omega$  or less.
- 9) If the discharge time of the delay capacitance Cd at detection is short and the delay capacitance Cd cannot be discharged to ground level, charging will take place at the next release operation with electric charge remaining in the delay capacitance Cd, and this may cause the release delay time to become noticeably short.
- 10) If the charging time of the delay capacitance Cd at release is short and the delay capacitance Cd cannot be charged to the  $V_{IN}$  level, the delay capacitance Cd will discharge from less than the  $V_{IN}$  level at the next detection operation, and this may cause the detect delay time to become noticeably short.
- 11) Torex places an importance on improving our products and their reliability.  
We request that users incorporate fail-safe designs and post-aging protection treatment when using Torex products in their systems.

## TYPICAL PERFORMANCE CHARACTERISTICS

### (1) Detect, Release Voltage vs. Ambient Temperature



### (2) Output Voltage vs. Sense Voltage



### (3) Supply Current vs. Ambient Temperature

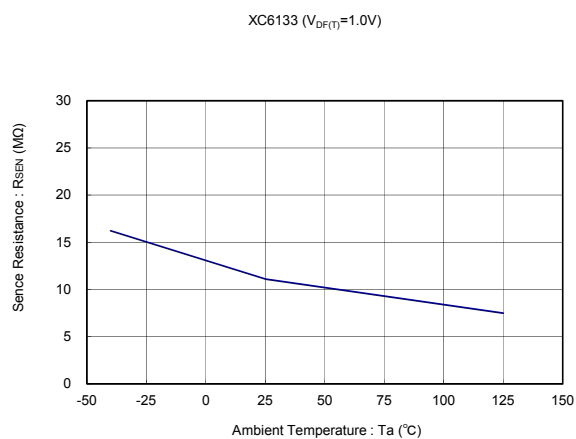


## TYPICAL PERFORMANCE CHARACTERISTICS (Continued)

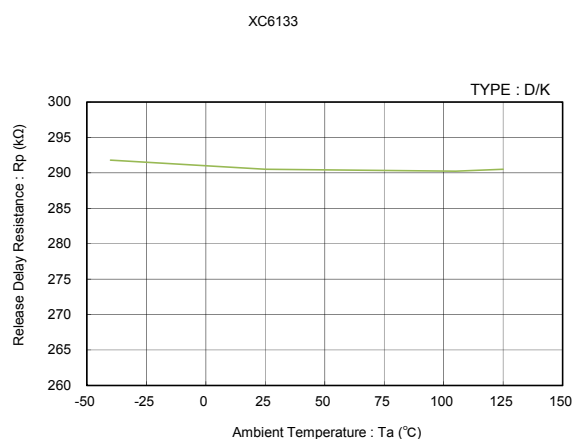
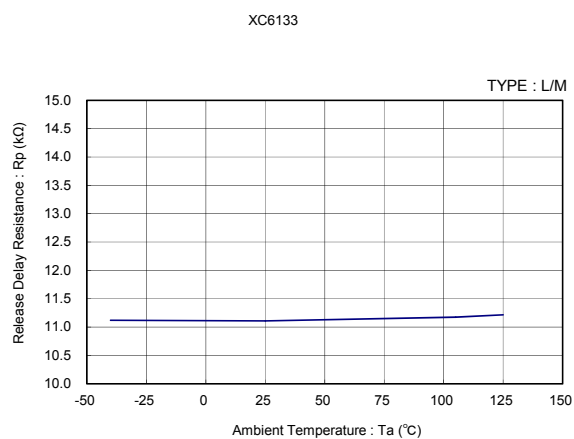
(4) Supply Current vs. Input Voltage



(5) Sense Resistance vs Ambient Temperature



(6) Delay Resistance vs Ambient Temperature



## TYPICAL PERFORMANCE CHARACTERISTICS (Continued)

(6) Delay Resistance vs Ambient Temperature (Continued)



(7) Delay Time vs Ambient Temperature



(8) Hysteresis Output Current vs Ambient Temperature



(9) Hysteresis Output Current vs Input Voltage



## TYPICAL PERFORMANCE CHARACTERISTICS (Continued)

(10) Hysteresis Output Leakage Current vs Ambient Temperature



(11) RESET Output Current vs Ambient Temperature



(11) RESET Output Current vs Ambient Temperature (Continued)



(12) RESET Output Current vs Input Voltage



(13) RESET Output Leakage Current vs Ambient Temperature



## TYPICAL PERFORMANCE CHARACTERISTICS (Continued)

(14) Cd Pin Sink Current vs Ambient Temperature



(15) Cd Pin Sink Current vs Input Voltage



(16) Cd Pin Threshold Voltage vs Ambient Temperature



(17) MRB High Level Threshold Voltage vs Ambient Temperature



(18) MRB Low Level Threshold Voltage vs Ambient Temperature



## ■ PACKAGING INFORMATION

### ● SOT-26 (unit:mm)



### ● SOT-26 Reference Pattern Layout (unit:mm)



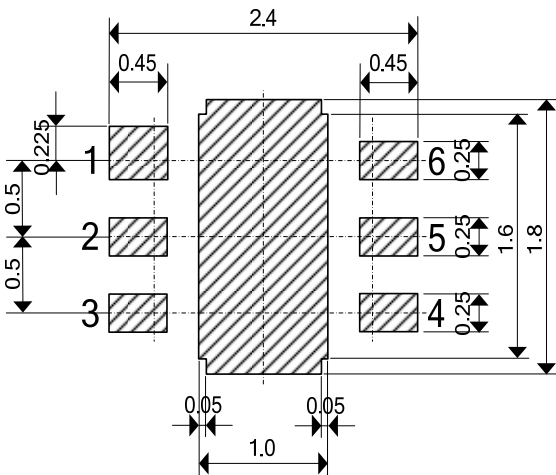
# XC6133 Series

## PACKAGING INFORMATION (Continued)

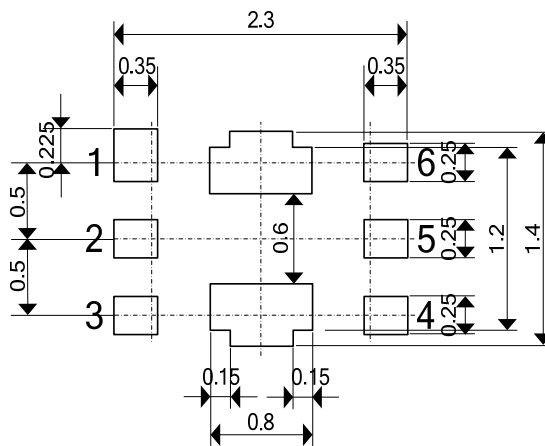
### ● USP-6C (unit:mm)



### ● USP-6C Reference Pattern Layout (unit:mm)



### ● USP-6C Reference Metal Mask Design





## ■ PACKAGING INFORMATION (Continued)

### ● SOT-26 Power Dissipation (Topmax+125°C)

Power dissipation data for the SOT-26 is shown in this page.  
The value of power dissipation varies with the mount board conditions.  
Please use this data as the reference data taken in the following condition.

#### 1. Measurement Condition

- Condition: Mount on a board
- Ambient: Natural convection
- Soldering: Lead (Pb) free
- Board: Dimensions 40 x 40 mm (1600 mm<sup>2</sup> in one side)  
Copper (Cu) traces occupy 50% of the board area  
In top and back faces  
(Board of SOT-26 is used)
- Material: Glass Epoxy (FR-4)
- Thickness: 1.6mm
- Through-hole 4 x 0.8 Diameter



Evaluation Board (Unit: mm)

#### 2. Power Dissipation vs. Ambient Temperature

Board Mount (T<sub>jmax</sub>=125°C)

| Ambient Temperature (°C) | Power Dissipation Pd (mW) | Thermal Resistance (°C/W) |
|--------------------------|---------------------------|---------------------------|
| 25                       | 600                       | 166.67                    |
| 85                       | 240                       |                           |



## PACKAGING INFORMATION (Continued)

### ● USP-6C Power Dissipation (Topmax+125°C)

Power dissipation data for the USP-6C is shown in this page.  
The value of power dissipation varies with the mount board conditions.  
Please use this data as the reference data taken in the following condition.

#### 1. Measurement Condition

- Condition: Mount on a board
- Ambient: Natural convection
- Soldering: Lead (Pb) free
- Board: Dimensions 40 x 40 mm (1600 mm<sup>2</sup> in one side)  
Copper (Cu) traces occupy 50% of the board area  
In top and back faces  
(Board of SOT-26 is used)
- Material: Glass Epoxy (FR-4)
- Thickness: 1.6mm



Evaluation Board (Unit: mm)

#### 2. Power Dissipation vs. Ambient Temperature

Board Mount (T<sub>jmax</sub>=125°C)

| Ambient Temperature (°C) | Power Dissipation Pd (mW) | Thermal Resistance (°C/W) |
|--------------------------|---------------------------|---------------------------|
| 25                       | 1000                      | 100.00                    |
| 85                       | 400                       |                           |



## MARKING RULE

SOT-26



USP-6C



① represents products series

| MARK | PRODUCT SERIES |
|------|----------------|
| X    | XC6133*****-G  |

②,③ represents internal sequential number

01, ..., 09, 10, ..., 99, A0, ..., A9, B0, ..., B9, ..., Z9... repeated.  
(G, I, J, O, Q, W excluded)

④,⑤ represents production lot number

01~09, 0A~0Z, 11~9Z, A1~A9, AA~AZ, B1~ZZ in order.  
(G, I, J, O, Q, W excluded)

\* No character inversion used.

1. The products and product specifications contained herein are subject to change without notice to improve performance characteristics. Consult us, or our representatives before use, to confirm that the information in this datasheet is up to date.
2. We assume no responsibility for any infringement of patents, patent rights, or other rights arising from the use of any information and circuitry in this datasheet.
3. Please ensure suitable shipping controls (including fail-safe designs and aging protection) are in force for equipment employing products listed in this datasheet.
4. The products in this datasheet are not developed, designed, or approved for use with such equipment whose failure or malfunction can be reasonably expected to directly endanger the life of, or cause significant injury to, the user.  
(e.g. Atomic energy; aerospace; transport; combustion and associated safety equipment thereof.)
5. Please use the products listed in this datasheet within the specified ranges.  
Should you wish to use the products under conditions exceeding the specifications, please consult us or our representatives.
6. We assume no responsibility for damage or loss due to abnormal use.
7. All rights reserved. No part of this datasheet may be copied or reproduced without the prior permission of TOREX SEMICONDUCTOR LTD.

**TOREX SEMICONDUCTOR LTD.**

Компания «Life Electronics» занимается поставками электронных компонентов импортного и отечественного производства от производителей и со складов крупных дистрибьюторов Европы, Америки и Азии.

С конца 2013 года компания активно расширяет линейку поставок компонентов по направлению коаксиальный кабель, кварцевые генераторы и конденсаторы (керамические, пленочные, электролитические), за счёт заключения дистрибьюторских договоров

Мы предлагаем:

- Конкурентоспособные цены и скидки постоянным клиентам.
- Специальные условия для постоянных клиентов.
- Подбор аналогов.
- Поставку компонентов в любых объемах, удовлетворяющих вашим потребностям.
- Приемлемые сроки поставки, возможна ускоренная поставка.
- Доставку товара в любую точку России и стран СНГ.
- Комплексную поставку.
- Работу по проектам и поставку образцов.
- Формирование склада под заказчика.
- Сертификаты соответствия на поставляемую продукцию (по желанию клиента).
- Тестирование поставляемой продукции.
- Поставку компонентов, требующих военную и космическую приемку.
- Входной контроль качества.
- Наличие сертификата ISO.

В составе нашей компании организован Конструкторский отдел, призванный помогать разработчикам, и инженерам.

Конструкторский отдел помогает осуществить:

- Регистрацию проекта у производителя компонентов.
- Техническую поддержку проекта.
- Защиту от снятия компонента с производства.
- Оценку стоимости проекта по компонентам.
- Изготовление тестовой платы монтаж и пусконаладочные работы.



Тел: +7 (812) 336 43 04 (многоканальный)

Email: [org@lifeelectronics.ru](mailto:org@lifeelectronics.ru)