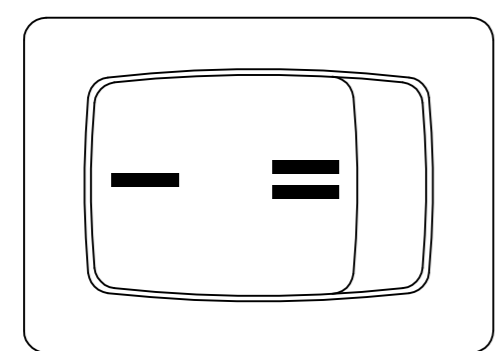
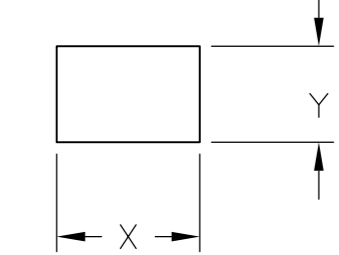


THIS DRAWING IS UNPUBLISHED. RELEASED FOR PUBLICATION. ALL RIGHTS RESERVED. COPYRIGHT - By -

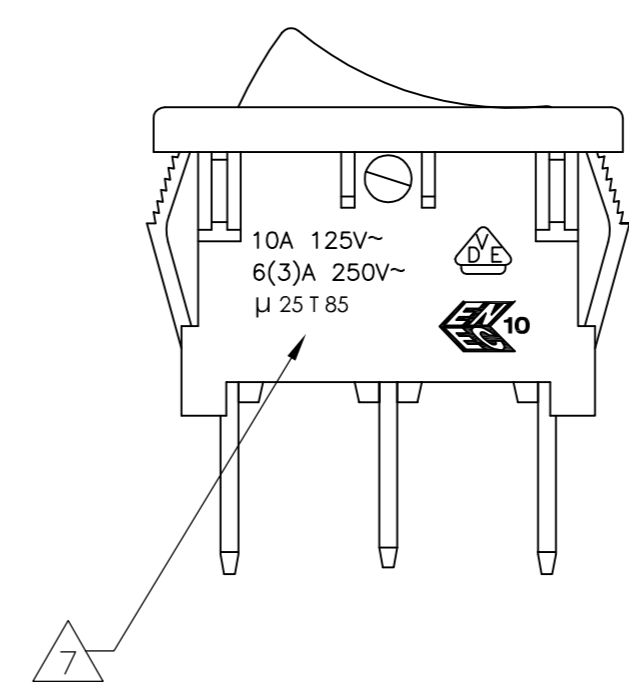
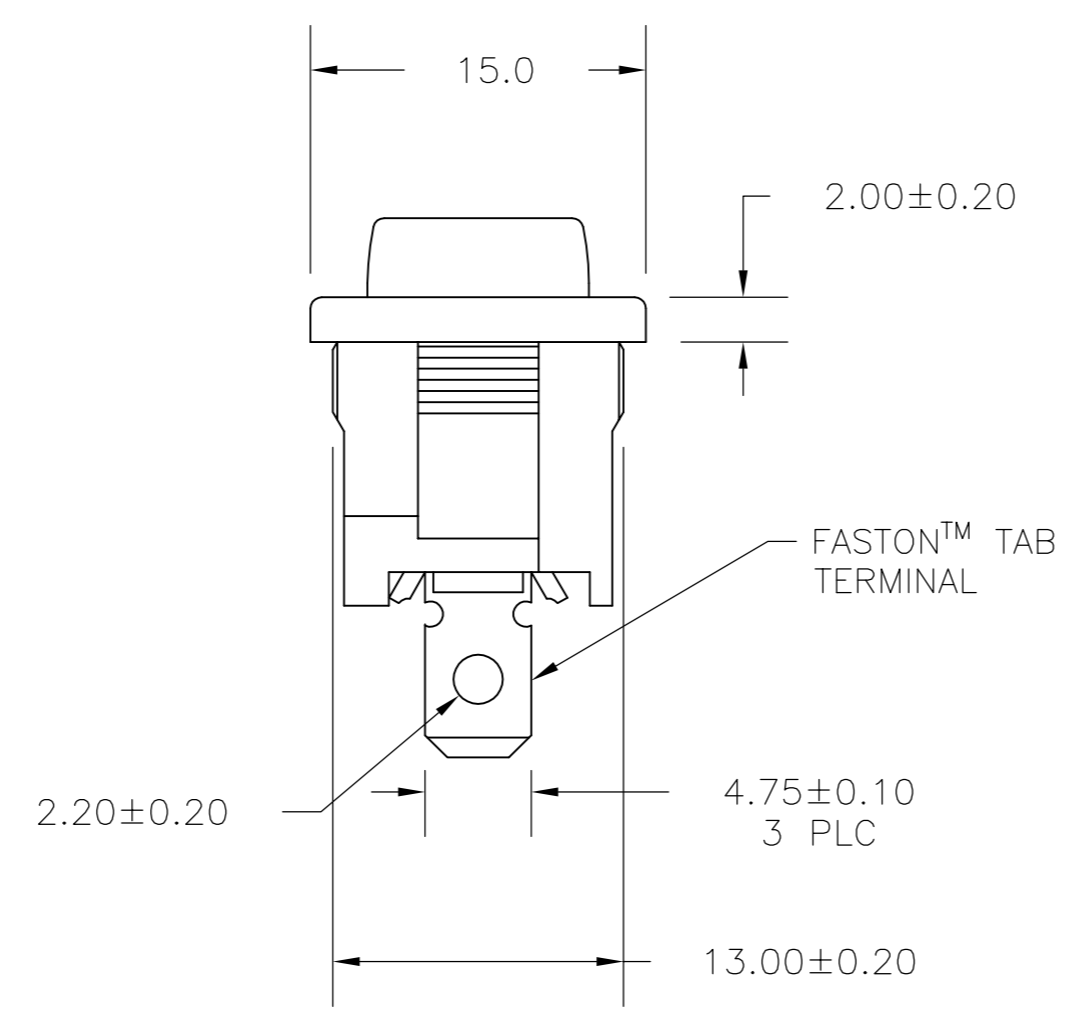
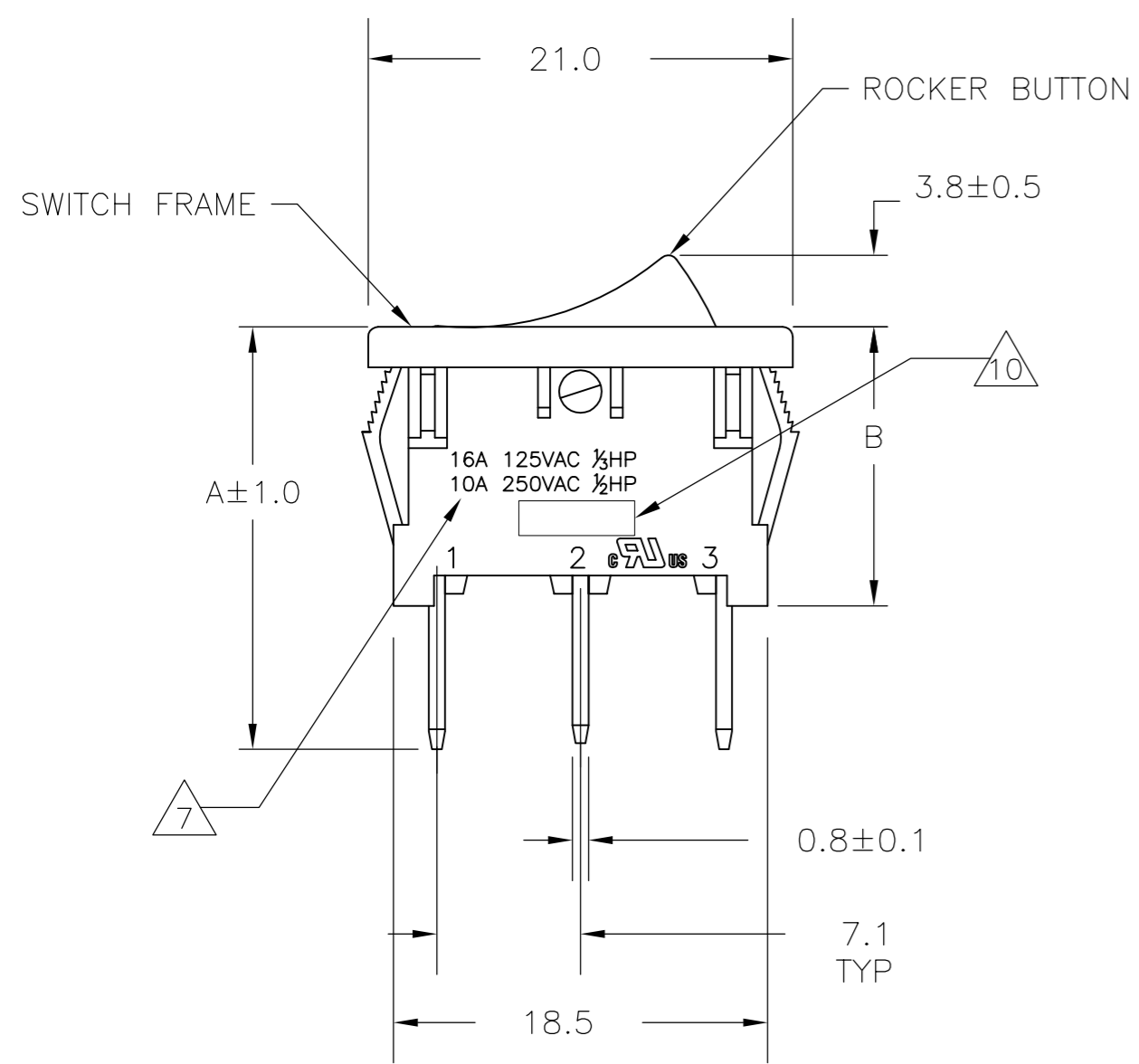
REVISIONS					
P	LTR	DESCRIPTION	DATE	DWN	APVD
	L1	REVISED PER ECO-11-004820	11MAR11	RK	HMR
	L2	REVISED PER ECO-16-017354	03MAR2017	RK	AS



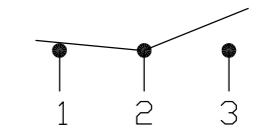
PANEL CUT OUT



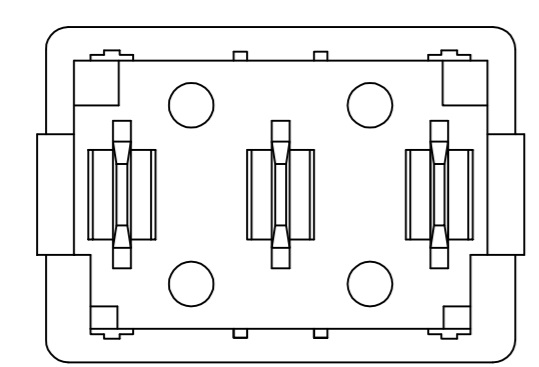
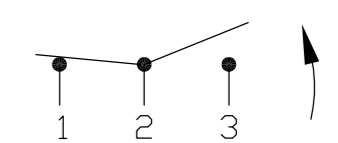
2.00-3.00	19.8-0.1	13.0+0.1
1.25-2.00	19.4-0.1	13.0+0.1
0.75-1.25	19.2-0.1	13.0+0.1
PANEL THICKNESS	X	Y



SWITCH FUNCTION D1  
CIRCUIT DIAGRAM



SWITCH FUNCTION D2  
CIRCUIT DIAGRAM



OBSOLETE—1571079-5—SHOWN  
(TWO ROCKER BUTTON POSITIONS)

THIS DRAWING IS A CONTROLLED DOCUMENT.		DWN M.BINNER 25FEB2002		
DIMENSIONS: mm		CHK J.MOSIER		
TOLERANCES UNLESS OTHERWISE SPECIFIED:		APVD	NAME POWER ROCKER SWITCH 13.0mmX19.2mm PANEL SIZE SPDT, 3 TERMINALS, NON-ILLUMINATED	
0 PLC ± -	1 PLC ± 0.30	PRODUCT SPEC	NOT APPLICABLE	
2 PLC ± 0.05	3 PLC ± -	APPLICATION SPEC	NOT APPLICABLE	
4 PLC ± -	ANGLES ± -	FINISH	NOT APPLICABLE	
MATERIAL	1	WEIGHT	0	RESTRICTED TO
CUSTOMER DRAWING		SCALE	3:1	SHEET
		SIZE	A2	1 of 3
		CAGE CODE	00779	REV
		DRAWING NO	1571079	L2

4

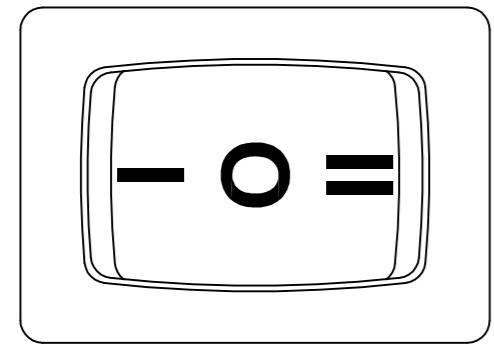
3

2

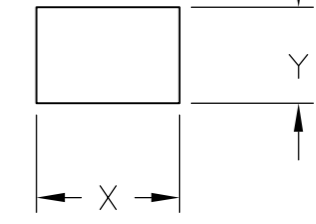
1

THIS DRAWING IS UNPUBLISHED. RELEASED FOR PUBLICATION. ALL RIGHTS RESERVED. COPYRIGHT - By -

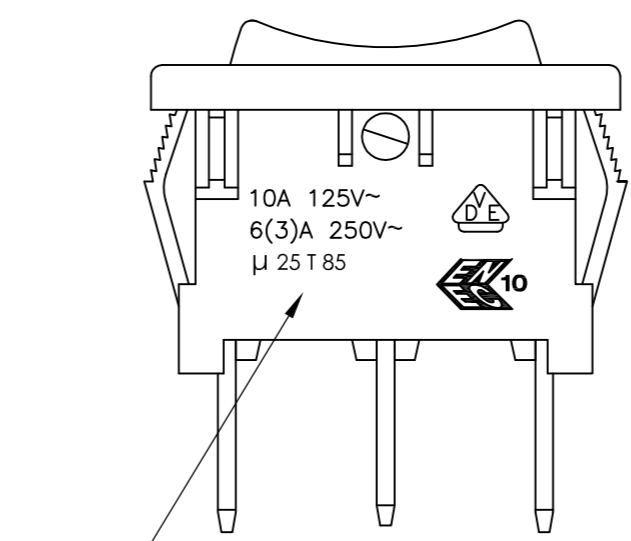
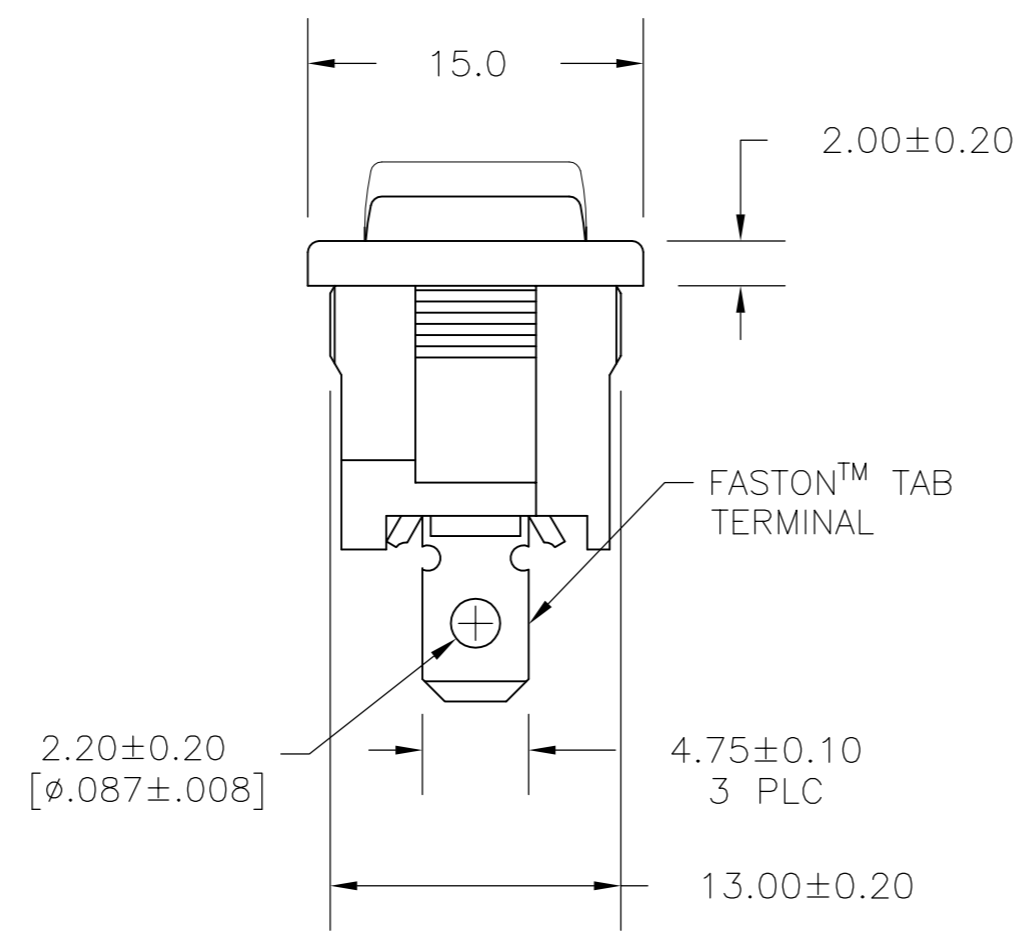
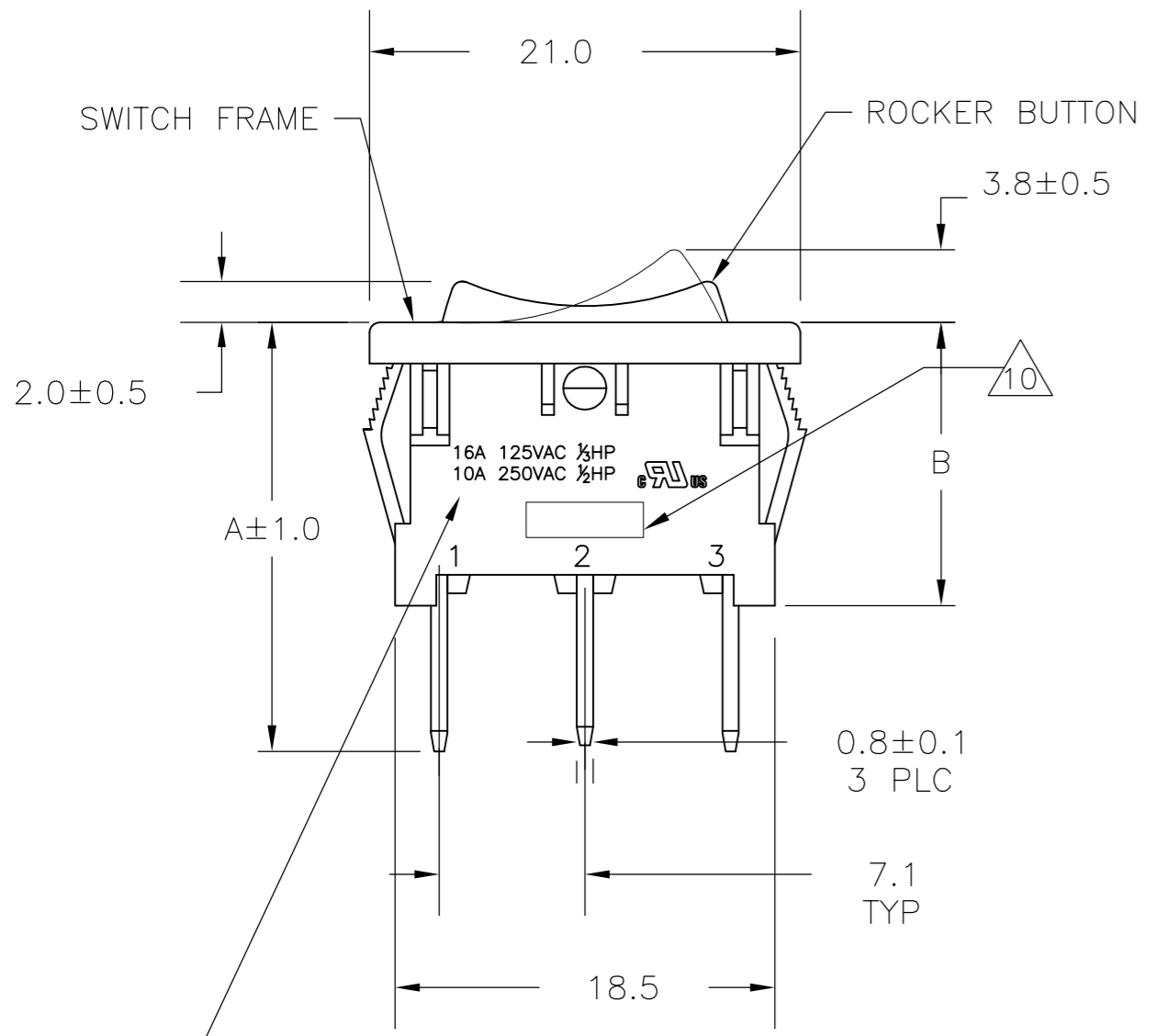
REVISIONS					
P	LTR	DESCRIPTION	DATE	DWN	APVD
-	-	SEE SHEET 1	-	-	-



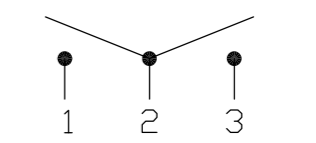
PANEL CUT OUT



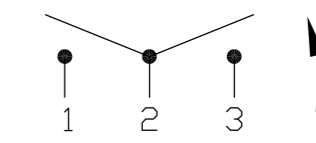
2.00-3.00	19.8-0.1	13.0+0.1
1.25-2.00	19.4-0.1	13.0+0.1
0.75-1.25	19.2-0.1	13.0+0.1
PANEL THICKNESS	X	Y



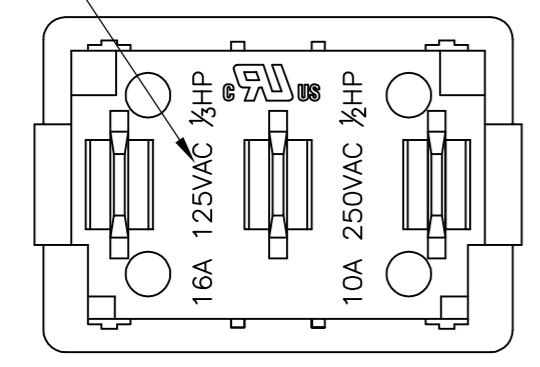
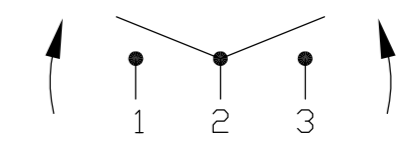
SWITCH FUNCTION D3  
CIRCUIT DIAGRAM



SWITCH FUNCTION D4  
CIRCUIT DIAGRAM



SWITCH FUNCTION D5  
CIRCUIT DIAGRAM



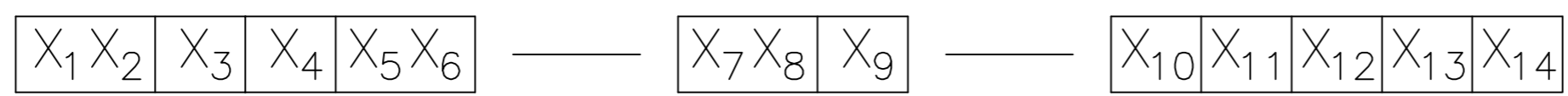
1-1571079-4 SHOWN  
(THREE ROCKER BUTTON POSITIONS)

THIS DRAWING IS A CONTROLLED DOCUMENT.		DWN M.BINNER	25FEB2002	<b>TE</b> TE Connectivity	
DIMENSIONS: mm		CHK J.MOSIER	APVD -		
TOLERANCES UNLESS OTHERWISE SPECIFIED:		PRODUCT SPEC NOT APPLICABLE		SIZE A2	
0 PLC ± - 1 PLC ± 0.30 2 PLC ± 0.05 3 PLC ± - 4 PLC ± - ANGLES ± -		APPLICATION SPEC NOT APPLICABLE		CAGE CODE 00779	DRAWING NO 1571079
MATERIAL	FINISH	WEIGHT	-	RESTRICTED TO	-
CUSTOMER DRAWING				SCALE 3:1	SHEET 2 of 3
				REV L2	

THIS DRAWING IS UNPUBLISHED. RELEASED FOR PUBLICATION ALL RIGHTS RESERVED.

P	LTR	DESCRIPTION	DATE	DWN	APVD
-	-	SEE SHEET 1	-	-	-

### ALCOSWITCH PART NUMBER



SWITCH TYPE: X<sub>1</sub>X<sub>2</sub> = PR - POWER ROCKER

NOMINAL PANEL CUT OUT SIZE: X<sub>3</sub> = A - 13.0x19.2

NUMBER OF POLES: X<sub>4</sub> = S - SINGLE

SWITCH FUNCTION: X<sub>5</sub>X<sub>6</sub> = D1 - ON-ON WITH OPAQUE, SINGLE-COLOR ROCKER BUTTON  
D2 - ON-(ON) WITH OPAQUE, SINGLE-COLOR ROCKER BUTTON  
D3 - ON-OFF-ON WITH OPAQUE, SINGLE-COLOR ROCKER BUTTON  
D4 - ON-OFF-(ON) WITH OPAQUE, SINGLE-COLOR ROCKER BUTTON  
D5 - (ON)-OFF-(ON), WITH OPAQUE, SINGLE-COLOR ROCKER BUTTON

CURRENT RATING: X<sub>7</sub>X<sub>8</sub> = 16 - △6

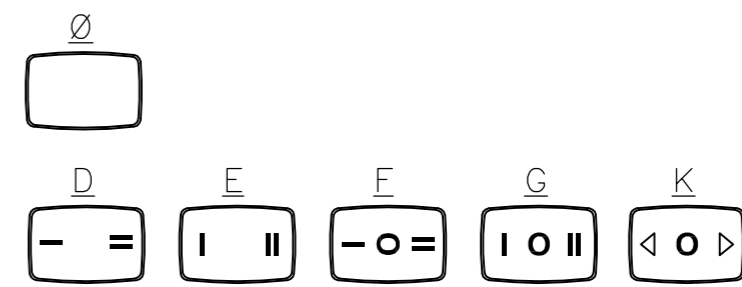
TERMINAL TYPE: X<sub>9</sub> = E - FASTON™ TAB  
L - SOLDER LUG

FRAME COLOR: X<sub>10</sub> = B - BLACK  
W - WHITE

ROCKER COLOR: X<sub>11</sub> = B - BLACK  
G - GREEN  
R - RED  
W - WHITE

SECONDARY ROCKER COLOR: X<sub>12</sub> = ∅ - NOT APPLICABLE  
B - BLACK  
G - GREEN  
R - RED  
W - WHITE

LEGEND TEXT PATTERN: X<sub>13</sub> =



LEGEND TEXT COLOR: X<sub>14</sub> = ∅ - NOT APPLICABLE  
G - GREEN  
R - RED  
B - BLACK  
W - WHITE

**1 MATERIALS:**  
 ROCKER BUTTON & HOUSING FRAME: NYLON 66, UL 94 V-2.  
 TERMINAL, ACTIVE CONTACTOR: COPPER ALLOY PER ASTM B152/B152M  
 PLUNGER: COPPER ALLOY PER ASTM B036  
 PHENOLIC, UL94V1(SWITCH FUNCTION D5 ONLY)  
 SPRING: STEEL WIRE PER ASTM A228/A228M  
 CONTACT: SILVER-TIN OXIDE

**2 FINISH:**  
 TERMINAL, ACTIVE CONTACTOR: 1.0µm MIN SILVER  
 COPPER ALLOY PLUNGER: 3.0µm MIN NICKEL

**3 ELECTRICAL SPECIFICATIONS:**  
 CURRENT AND VOLTAGE: △6  
 CONTACT RESISTANCE (INITIAL): <100mΩ (5V, 1A DC)  
 DIELECTRIC STRENGTH (INITIAL): >1000 VAC, 1 MINUTE  
 INSULATION RESISTANCE (INITIAL): >100MΩ MIN (500VDC BETWEEN OPEN CONTACTS)  
 INRUSH CURRENT: 50A / 3msec (CAPACITIVE LOAD)  
 ELECTRICAL LIFE ENDURANCE: >6000 OPERATIONS, VOLTAGE DROP: <100mV  
 TEMPERATURE RISE AT TERMINALS: <30°C, 6000 OPERATIONS (AMBIENT CONDITIONS: 25±2°C AND 65±5%R.H)

**4 MECHANICAL SPECIFICATIONS:**  
 ACTUATING FORCE: 150g MIN, 650g MAX  
 OPERATING LIFE ENDURANCE: >100,000 OPERATIONS  
 TERMINAL RETENTION STRENGTH: >2.5kg- SOLDER LUG  
 >6.8kg- FASTON TAB

**5 ENVIRONMENTAL SPECIFICATIONS:**  
 AMBIENT TEMPERATURE: -20°C TO +85°C  
 HUMIDITY: MAX 85%  
 SALT SPRAY: NO REMAKABLE RUST IN METAL PARTS. (5%SALT / 35°C 24HRS)  
 SHOCK: NO MECHANICAL DEFECT OR DAMAGE. (100g / 10MSEC/ X,Y,Z 3 TIMES)  
 VIBRATION: NO MECHANICAL DEFECT OR DAMAGE. (10-55Hz /1.5mm/ X,Y,Z 2HRS)

**6** UL: 16A@125VAC ½HP / 10A@250VAC ½HP  
 ENEC: 10A 125V~, 6(3)A 250V~, µ25T85

**7** ELECTRICAL RATINGS, APPROVED AGENCY LOGOS, TERMINAL IDENTIFICATION NUMBERS, MOLDED APPROXIMATELY AS SHOWN ON THE SIDE AND/OR BOTTOM SURFACE(S) OF THE SWITCH HOUSING.

**8** COMPONENT RECOGNIZED TO US & CANADIAN STANDARDS, UL FILE NO. E46765.

**9** COMPONENT RECOGNIZED TO EUROPEAN STANDARDS (ENEC, PENDING VDE). MARKS LICENSE No. 40006757

**10** TE CONNECTIVITY LOGO LOCATED APPROXIMATELY AS SHOWN PER TEC 202-36

	16.5	23.5	2	PRASD5-16F-BB0KW	1-1571079-6
OBSOLETE	16.5	23.5	2	PRASD4-16F-BBOGW	1-1571079-5
	16.5	23.5	2	PRASD4-16F-BBOFW	1-1571079-4
	16.5	23.5	2	PRASD4-16F-BB000	1-1571079-3
OBSOLETE	13.8	20.9	1	PRASD2-16F-BB0EW	1-1571079-2
	13.8	20.9	1	PRASD2-16F-BB0DW	1-1571079-1
	13.8	20.9	1	PRASD2-16F-BB000	1-1571079-0
	16.5	23.5	2	PRASD3-16F-BBOGW	1571079-9
OBSOLETE	16.5	23.5	2	PRASD3-16F-BBOFW	1571079-8
	16.5	23.5	2	PRASD3-16F-BB000	1571079-7
OBSOLETE	13.8	20.9	1	PRASD1-16F-BB0EW	1571079-6
OBSOLETE	13.8	20.9	1	PRASD1-16F-BB0DW	1571079-5
	13.8	20.9	1	PRASD1-16F-BB000	1571079-4
	B	A	SHEET REF.	ALCOSWITCH PART NUMBER	PART NUMBER

THIS DRAWING IS A CONTROLLED DOCUMENT. 25FEB2002

DWN: M.BINNER  
 CHK: J.MOSIER  
 APVD: -

TE Connectivity

NAME: POWER ROCKER SWITCH 13.0mmX19.2mm  
 PANEL SIZE SPDT, 3 TERMINALS, NON-ILLUMINATED

PRODUCT SPEC: NOT APPLICABLE  
 APPLICATION SPEC: NOT APPLICABLE

SIZE: A2 CAGE CODE: 00779 DRAWING NO: 1571079 RESTRICTED TO: -

MATERIAL: - WEIGHT: - FINISH: -

CUSTOMER DRAWING SCALE: 3:1 SHEET: 3 of 3 REV: L2

Компания «Life Electronics» занимается поставками электронных компонентов импортного и отечественного производства от производителей и со складов крупных дистрибьюторов Европы, Америки и Азии.

С конца 2013 года компания активно расширяет линейку поставок компонентов по направлению коаксиальный кабель, кварцевые генераторы и конденсаторы (керамические, пленочные, электролитические), за счёт заключения дистрибьюторских договоров

Мы предлагаем:

- Конкурентоспособные цены и скидки постоянным клиентам.
- Специальные условия для постоянных клиентов.
- Подбор аналогов.
- Поставку компонентов в любых объемах, удовлетворяющих вашим потребностям.
- Приемлемые сроки поставки, возможна ускоренная поставка.
- Доставку товара в любую точку России и стран СНГ.
- Комплексную поставку.
- Работу по проектам и поставку образцов.
- Формирование склада под заказчика.
- Сертификаты соответствия на поставляемую продукцию (по желанию клиента).
- Тестирование поставляемой продукции.
- Поставку компонентов, требующих военную и космическую приемку.
- Входной контроль качества.
- Наличие сертификата ISO.

В составе нашей компании организован Конструкторский отдел, призванный помогать разработчикам, и инженерам.

Конструкторский отдел помогает осуществить:

- Регистрацию проекта у производителя компонентов.
- Техническую поддержку проекта.
- Защиту от снятия компонента с производства.
- Оценку стоимости проекта по компонентам.
- Изготовление тестовой платы монтаж и пусконаладочные работы.



Тел: +7 (812) 336 43 04 (многоканальный)

Email: [org@lifeelectronics.ru](mailto:org@lifeelectronics.ru)