

Standard LCD Segment Drivers



BU9795Axxx Series MAX 140 segments (SEG35×COM4)

● **Features**

- Integrated RAM for display data (DDRAM) :
35 × 4bit (Max 140 Segment)
- LCD drive output :
4 Common output, Max 35Segment output
- Integrated Buffer AMP for LCD driving
- Integrated Oscillator circuit
- No external components
- Low power consumption design

● **Applications**

- Telephone
- FAX
- Portable equipment (POS, ECR, PDA etc.)
- DSC
- DVC
- Car audio
- Home electrical appliance
- Meter equipment
- etc.

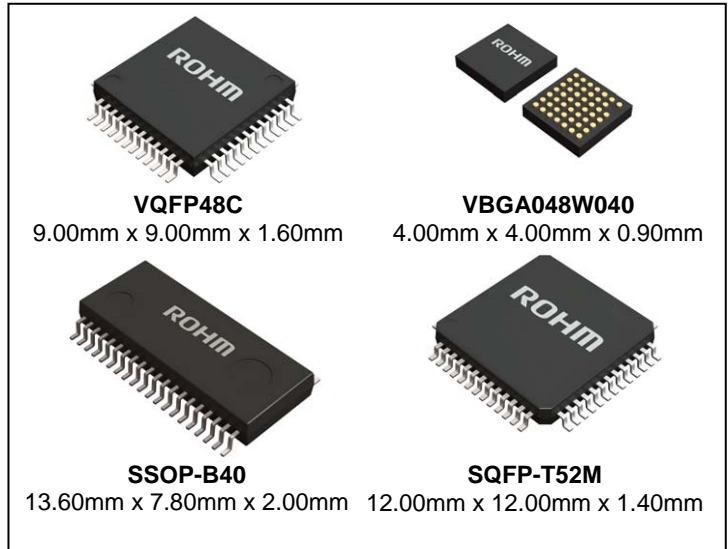
● **Key Specifications**

- Supply Voltage Range: +2.5V to +5.5V
- Operating Temperature Range: -40°C to +85°C
- Max Segments:

BU9795AKV	140 Segments
BU9795AFV	108 Segments
BU9795AGUW	124 Segments
BU9795AKS2	140 Segments
- Display Duty: 1/4
- Bias: 1/2, 1/3 selectable
- Interface: 3wire serial interface

● **Packages**

W (Typ.) x D (Typ.) x H (Max.)



● **Typical Application Circuit**

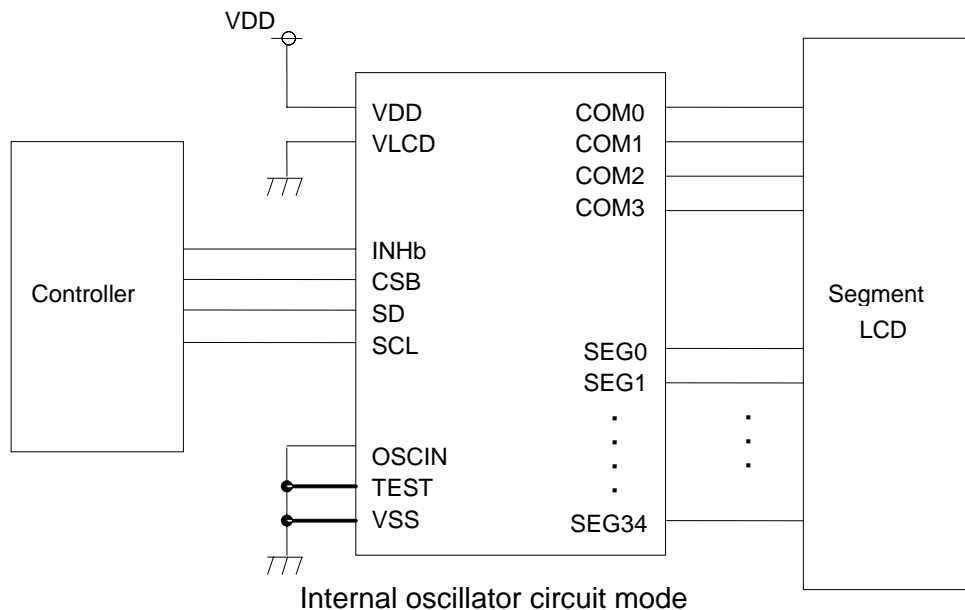


Figure 1. Typical application circuit

○Product structure : Silicon monolithic integrated circuit ○This product is not designed for protection against radioactive rays.

●Block Diagrams / Pin Configurations / Pin Descriptions

BU9795AKV

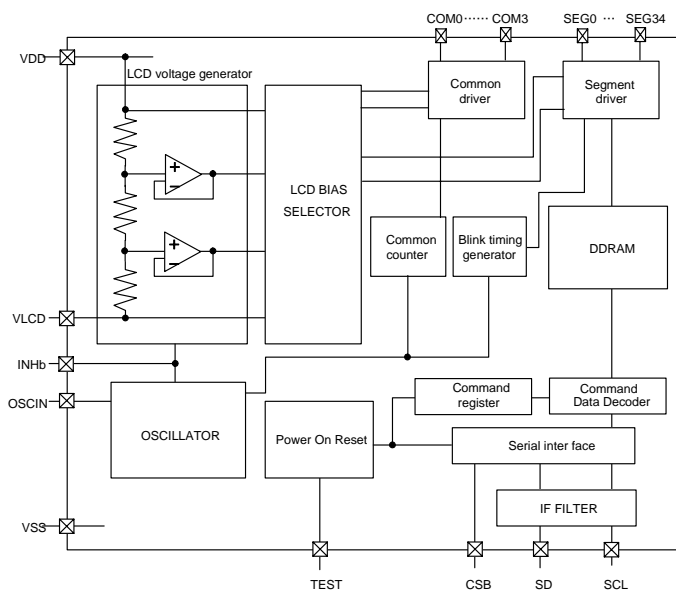


Figure 2. Block Diagram

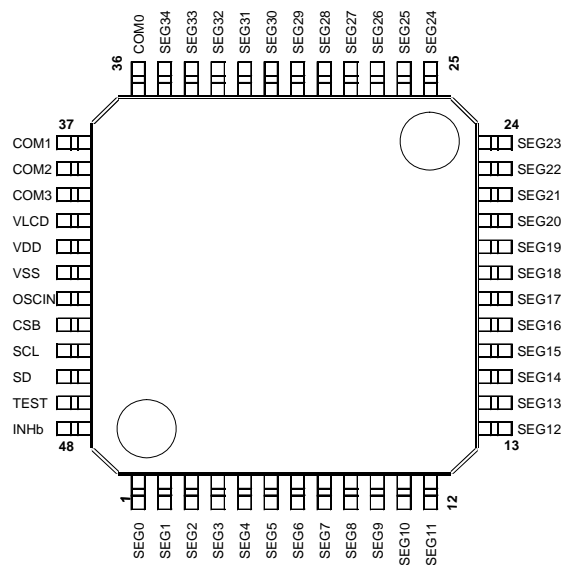


Figure 3. Pin Configuration (TOP VIEW)

Table 1 Pin Description

Pin name	Pin No.	I/O	Function
INHb	48	I	Input terminal for turn off display H : turn on display L : turn off display
TEST	47	I	Test input (ROHM use only) Must be connected to VSS
OSCIN	43	I	External clock input External clock and Internal clock can be selected by command. Must be connected to VSS when using internal oscillation circuit.
SD	46	I	Serial data input
SCL	45	I	Serial data transfer clock
CSB	44	I	Chip select : "L" active
VSS	42		GND
VDD	41		Power supply
VLCD	40		Power supply for LCD driving
SEG0 to 34	1 to 35	O	SEGMENT output for LCD driving
COM0 to 3	36 to 39	O	COMMON output for LCD driving

●Block Diagrams / Pin Configurations / Pin Descriptions - continued

BU9795AFV

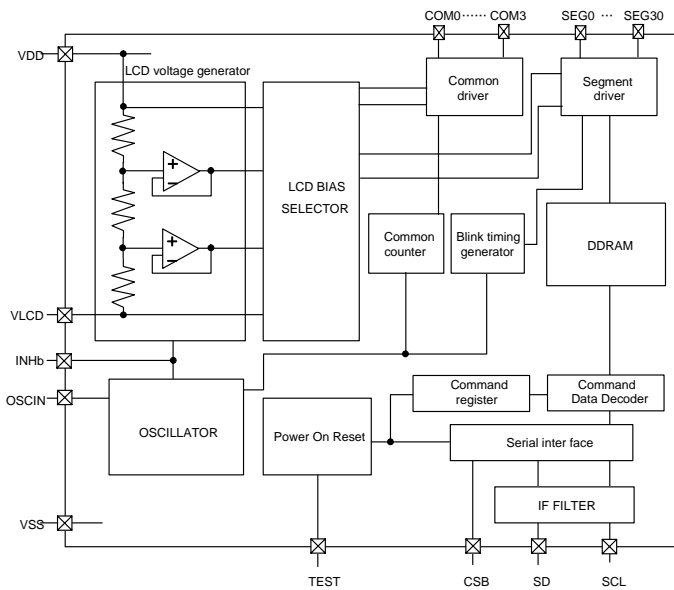


Figure 4. Block Diagram

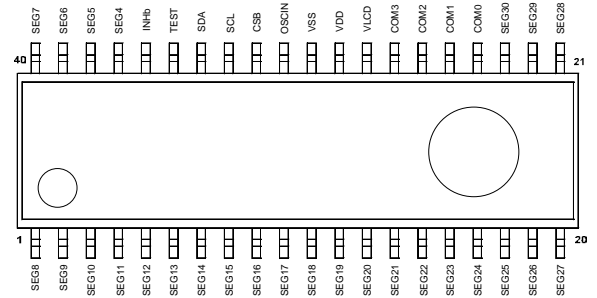


Figure 5. Pin Configuration (TOP VIEW)

Table 2 Pin Description

Pin name	Pin No.	I/O	Function
INHb	36	I	Input terminal for turn off display H : turn on display L : turn off display
TEST	35	I	Test input (ROHM use only) Must be connected to VSS
OSCIN	31	I	External clock input Ex clock and Int clock can be changed by command. Must be connected to VSS when using internal oscillation circuit.
SD	34	I	Serial data input
SCL	33	I	Serial data transfer clock
CSB	32	I	Chip select : "L" active
VSS	30		GND
VDD	29		Power supply
VLCD	28	I	Power supply for LCD driving
SEG4 to 30	1 to 23, 37 to 40	O	SEGMENT output for LCD driving
COM0 to 3	24 to 27	O	COMMON output for LCD driving

●Block Diagrams / Pin Configurations / Pin Descriptions - continued

BU9795AGUW

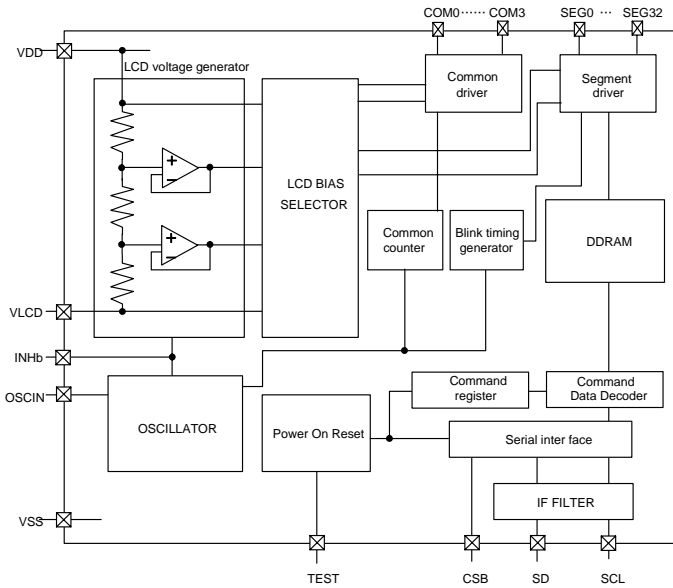


Figure 6. Block Diagram

	1	2	3	4	5	6	7
G	(NC)	SEG13	SEG15	SEG18	SEG20	SEG22	(NC)
F	SEG11	SEG12	SEG16	SEG17	SEG21	SEG23	SEG24
E	SEG9	SEG10	SEG14	SEG19	SEG25	SEG27	SEG26
D	SEG7	SEG6	SEG8	SEG5	SEG30	SEG28	SEG29
C	SEG4	SEG3	SEG2	CSB	COM3	SEG32	SEG31
B	X	INHb	SD	VSS	VDD	COM1	COM0
A	(NC)	TEST2	SCL	OSCIN	VLCD	COM2	(NC)

Figure 7. Pin Configuration (BOTTOM VIEW)

Table 3 Pin Description

Pin name	I/O	Function
INHb	I	Input terminal for turn off display H : turn on display L : turn off display
TEST	I	Test input (ROHM use only) Must be connected to VSS
OSCIN	I	External clock input Ex clock and Int clock can be changed by command. Must be connected to VSS when using internal oscillation circuit.
SD	I	Serial data input
SCL	I	Serial data transfer clock
CSB	I	Chip select : "L" active
VSS		GND
VDD		Power supply
VLCD	I	Power supply for LCD driving
SEG2 to 32	O	SEGMENT output for LCD driving
COM0 to 3	O	COMMON output for LCD driving

●Block Diagrams / Pin Configurations / Pin Descriptions – continued

BU9795AKS2

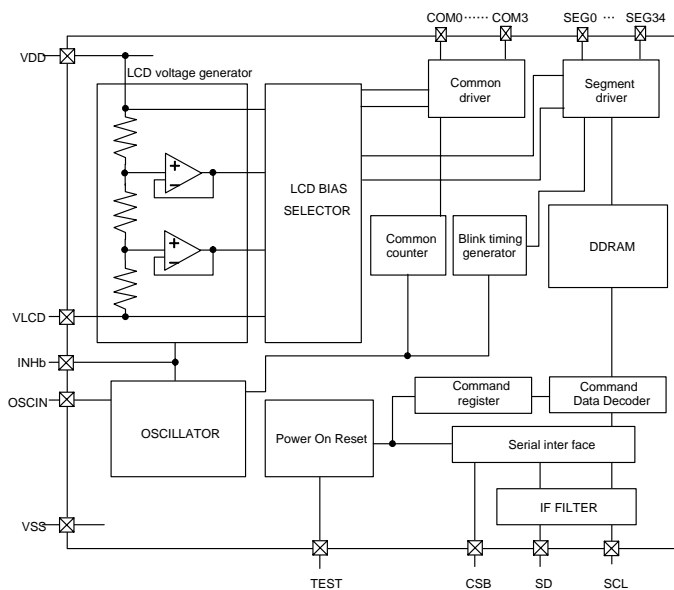


Figure 8. Block Diagram

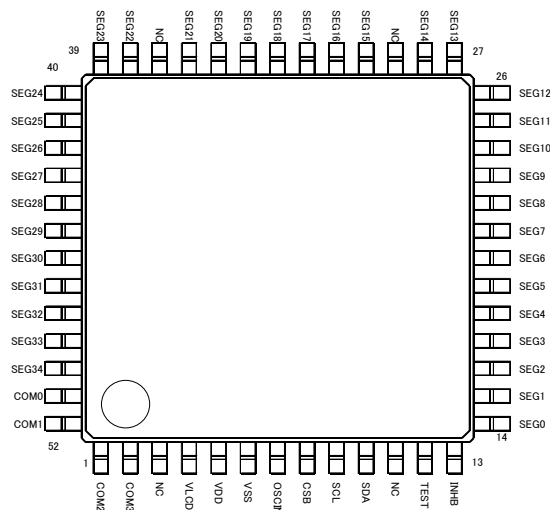


Figure 9. Pin Configuration (TOP VIEW)

Table 4 Pin Description

Pin name	Pin No.	I/O	Function
INHb	13	I	Input terminal for turn off display H : turn on display L : turn off display
TEST	12	I	Test input (ROHM use only) Must be connect to VSS
OSCIN	7	I	External clock input Ex clock and Int clock can be changed by command. Must be connect to VSS when use internal oscillation circuit.
SD	10	I	serial data input
SCL	9	I	serial data transfer clock
CSB	8	I	Chip select : "L" active
VSS	6		GND
VDD	5		Power supply
VLCD	4		Power supply for LCD driving
SEG0-34	14-28, 30-36 38-50	O	SEGMENT output for LCD driving
COM0-3	51-52, 1-2	O	COMMON output for LCD driving

● Absolute Maximum Ratings (VSS=0V)

Parameter	Symbol	Ratings	Unit	Remark
Power supply voltage1	VDD	-0.5 to +7.0	V	Power supply
Power supply voltage2	VLCD	-0.5 to VDD	V	LCD drive voltage
Power dissipation	Pd	0.6	W	When use more than Ta=25°C, subtract 6mW per degree.(BU9795AKV) (Package only)
		0.7	W	When use more than Ta=25°C, subtract 7mW per degree (BU9795AFV) (Package only)
		0.27	W	When use more than Ta=25°C, subtract 2.7mW per degree (BU9795AGUW) (Package only)
		0.85	W	When use more than Ta=25°C, subtract 8.5mW per degree (BU9795AKS2) (Package only)
Input voltage range	VIN	-0.5 to VDD+0.5	V	
Operational temperature range	Topr	-40 to +85	°C	
Storage temperature range	Tstg	-55 to +125	°C	

● Recommended Operating Ratings(Ta=-40°C to +85°C,VSS=0V)

Parameter	Symbol	Ratings			Unit	Remark
		Min.	Typ.	Max.		
Power Supply voltage1	VDD	2.5	-	5.5	V	Power supply
Power Supply voltage2	VLCD	0	-	VDD -2.4	V	LCD drive voltage

* Please use VDD-VLCD≥2.4V condition.

● Electrical Characteristics

DC Characteristics (VDD=2.5V to 5.5V, VSS=0V, Ta=-40°C to +85°C, unless otherwise specified)

Parameter	Symbol	Limits			Unit	Conditions	
		MIN	TYP	MAX			
"H" level input voltage	VIH	0.7VDD	-	VDD	V		
"L" level input voltage	VIL	VSS	-	0.3VDD	V		
"H" level input current	IIH	-	-	1	μA		
"L" level input current	IIL	-1	-	-	μA		
LCD Driver on resistance	SEG	RON	-	3.5	-	kΩ	Iload=±10μA
	COM	RON	-	3.5	-	kΩ	
VLCD supply voltage	VLCD	0	-	VDD -2.4	V	VDD-VLCD≥2.5V	
Standby current	Ist	-	-	5	μA	Display off, Oscillator off	
Power consumption 1	IDD1	-	12.5	30	μA	VDD=3.3V, Ta=25°C, Power save mode1, FR=70Hz 1/3 bias, Frame inverse	
Power consumption 2	IDD2	-	20	40	μA	VDD=3.3V, Ta=25°C, Normal mode, FR=80Hz 1/3 bias, Line inverse	

●Electrical Characteristics - continued

Oscillation Characteristics (VDD=2.5V to 5.5V, VSS=0V, Ta=-40°C to +85°C)

Parameter	Symbol	Limits			Unit	Conditions
		MIN	TYP	MAX		
Frame frequency	f _{CLK}	56	80	104	Hz	FR = 80Hz setting
Frame frequency1	f _{CLK1}	70	80	90	Hz	VDD=3.5V, 25°C

MPU interface Characteristics (VDD=2.5V to 5.5V, VSS=0V, Ta=-40°C to +85°C)

Parameter	Symbol	Limits			Unit	Conditions
		MIN	TYP	MAX		
Input rise time	t _r	-	-	80	ns	
Input fall time	t _f	-	-	80	ns	
SCL cycle time	t _{SCYC}	400	-	-	ns	
"H" SCL pulse width	t _{SHW}	100	-	-	ns	
"L" SCL pulse width	t _{SLW}	100	-	-	ns	
SD setup time	t _{SDS}	20	-	-	ns	
SD hold time	t _{SDH}	50	-	-	ns	
CSB setup time	t _{CSS}	50	-	-	ns	
CSB hold time	t _{CSH}	50	-	-	ns	
"H" CSB pulse width	t _{CHW}	50	-	-	ns	

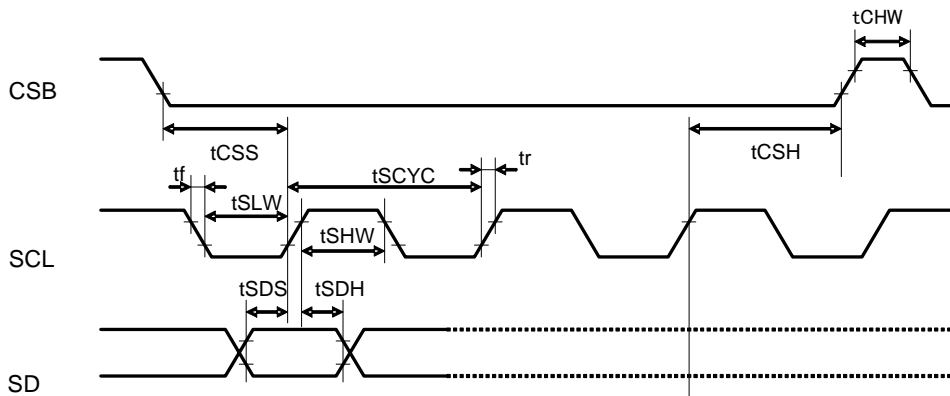


Figure 10. Interface Timing

●I/O equivalent circuit

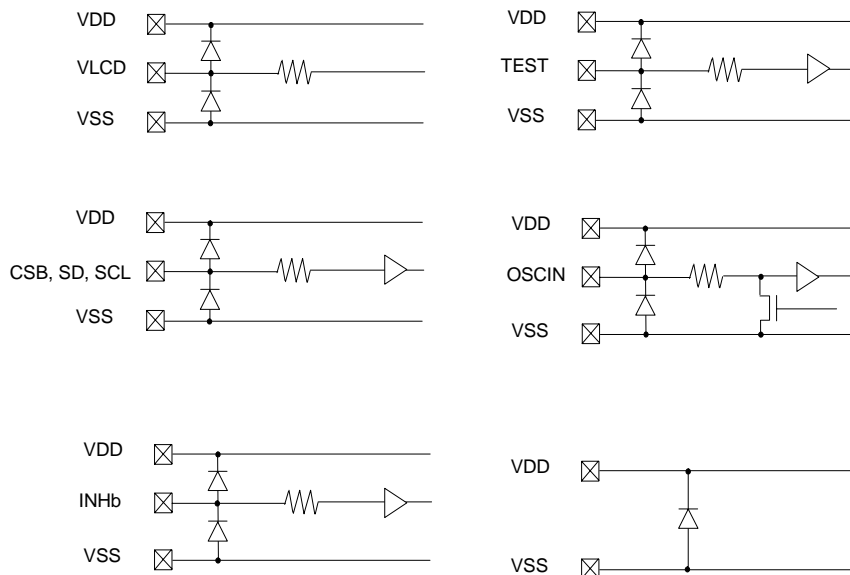
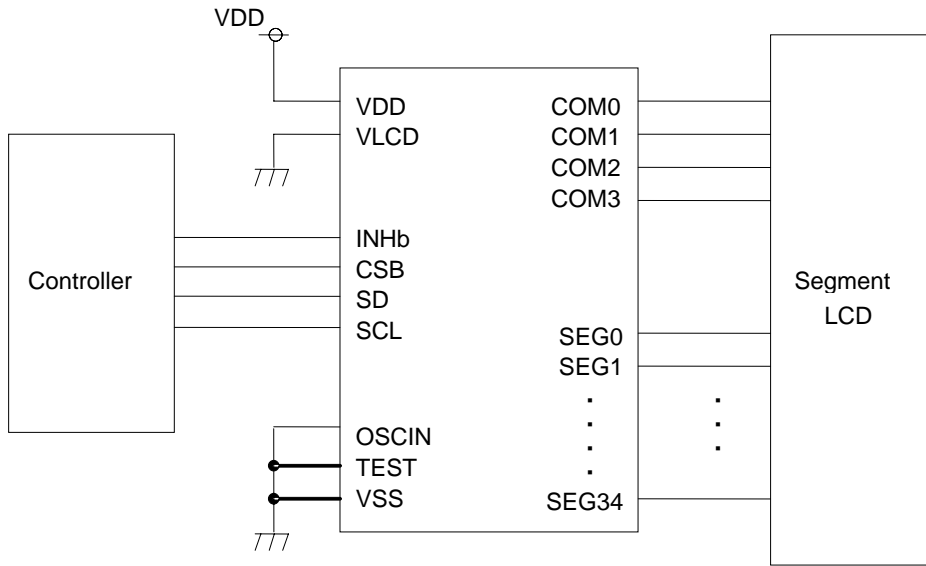


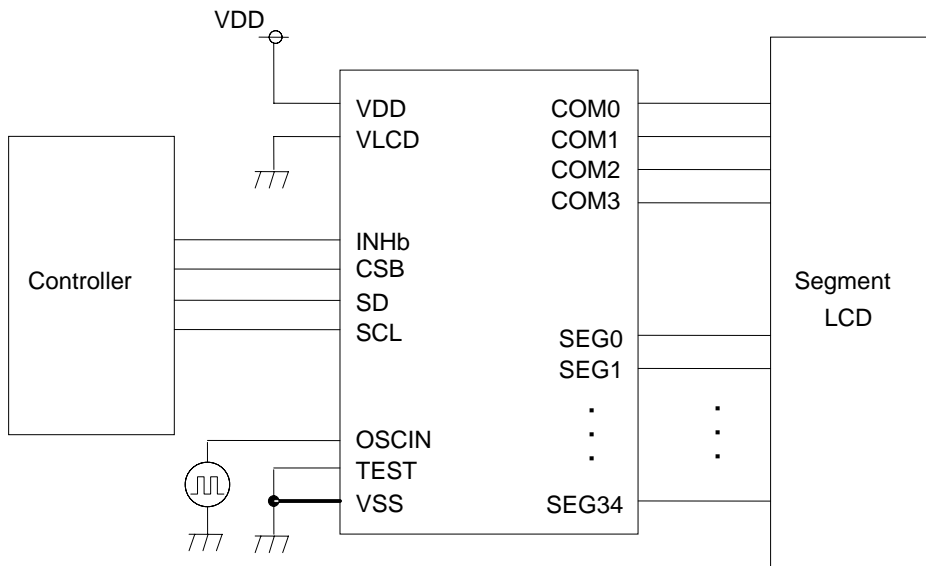
Figure 11. I/O equivalent circuit

●Example of recommended circuit

<BU9795AKV/BU9795AKS2>



Using internal oscillator circuit mode



Using external oscillator mode

Figure 12. BU9795AKV/BU9795AKS2 recommended circuit

●Example of recommended circuit - continued

<BU9795AFV>

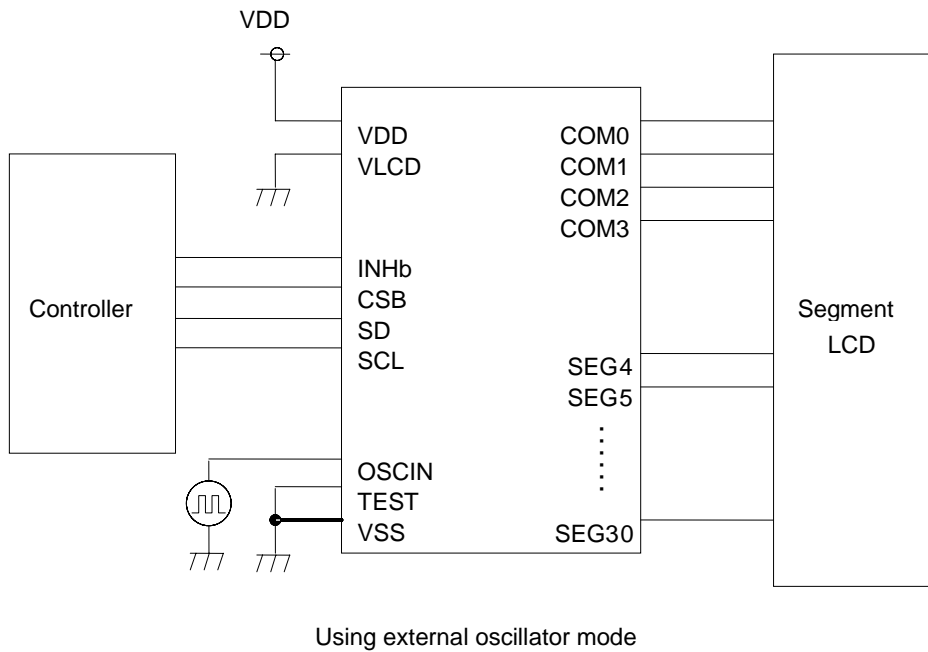
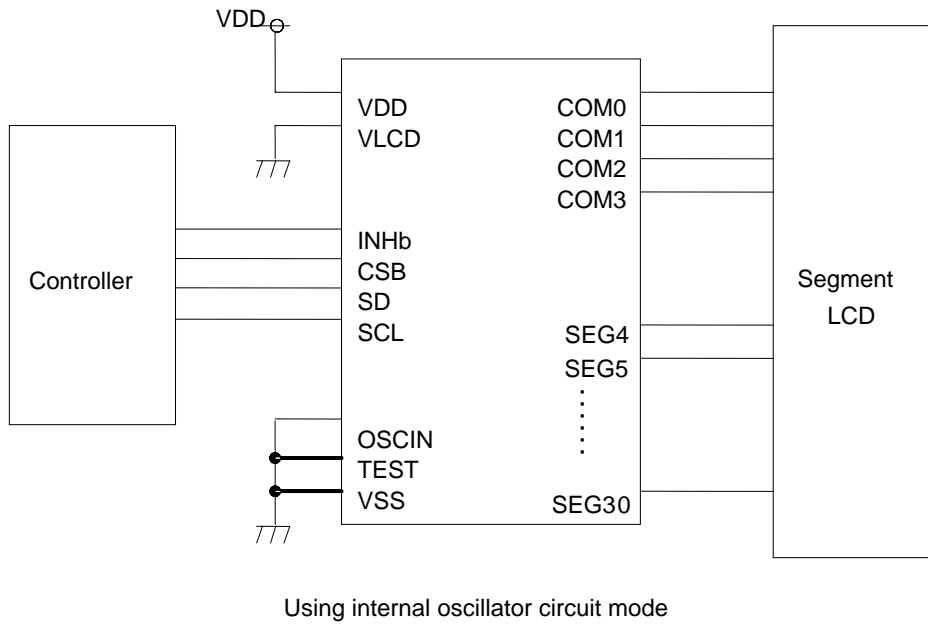
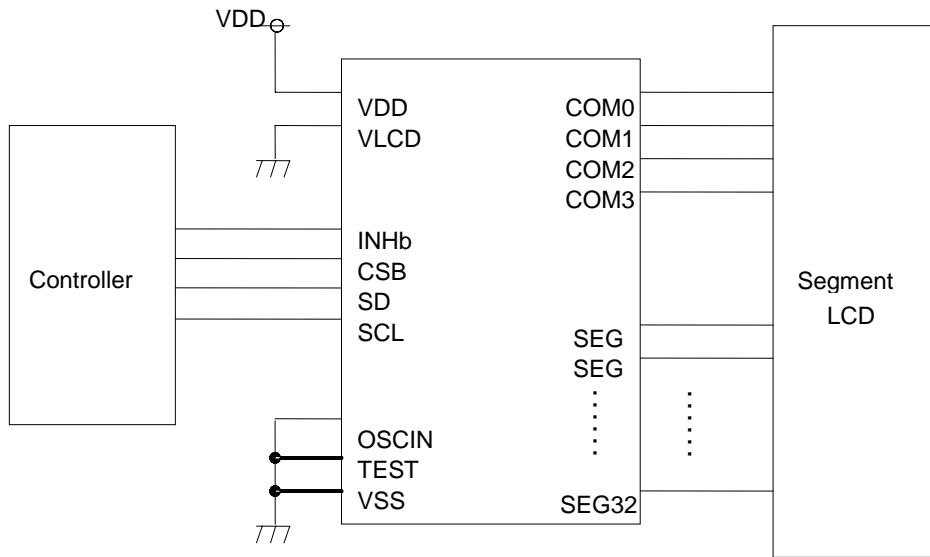


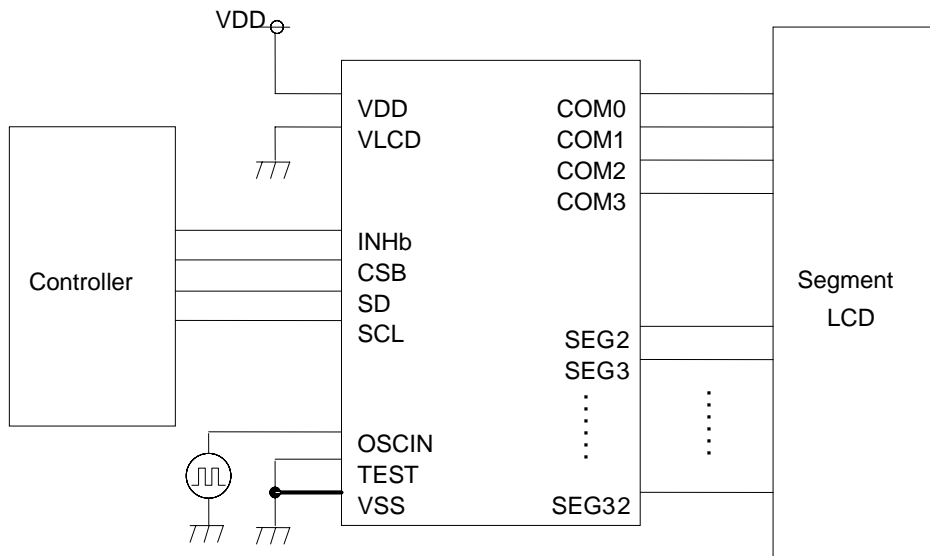
Figure 13. BU9795AFV example recommended circuit

●Example of recommended circuit - continued

<BU9795AGUW>



Using internal oscillator circuit mode



Using external oscillator mode

Figure14. BU9795AGUW example recommended circuit

●Function Description

○Command and data transfer method

○3-SPI (3wire Serial interface)

This device is controlled by 3-wire signal (CSB, SCL, and SD).

First, Interface counter is initialized with CSB="H", and CSB="L" makes SD and SCL input enable.

The protocol of 3-SPI transfer is as follows.

Each command starts with Command or Data judgment bit (D/C) as MSB data, followed by D6 to D0 during CSB = "L".

(Internal data is latched at the rising edge of SCL, it is converted to 8bits parallel data at the falling edge of 8th CLK.)

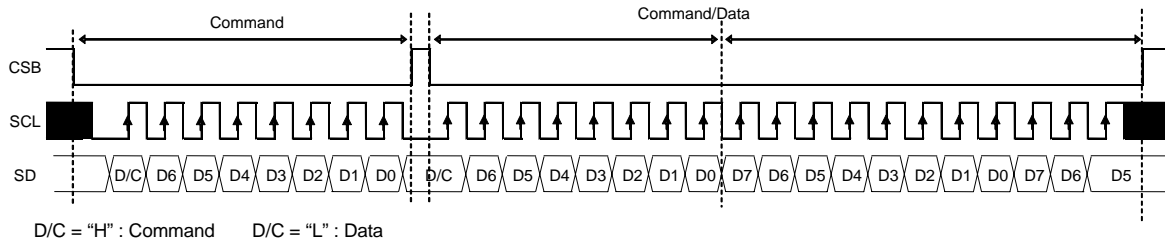


Figure 15. 3-SPI Command/Data transfer format

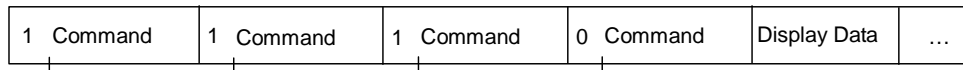
○Command transfer method

After CSB="H"→"L", 1st byte is always a command input.

MSB of the command input data will be judged that the next byte data, it is a command or display data (This bit is called "command or data judgment bit").

When set "command or data judge bit"='1', next byte will be (continuously) command.

When set "command or data judge bit"='0', next byte data is display data.



Once it becomes display data transfer condition, it will not be back to command input condition even if D/C=1.

So if you want to send command data again, please set CSB="L"→"H".

(CSB "L"→"H" will cancel data transfer condition.)

Command transfer is done by 8bits unit, so if CSB="L"→"H" with less than 8bits data transfer, command will be cancelled.

It will be able to transfer command with CSB="L" again.

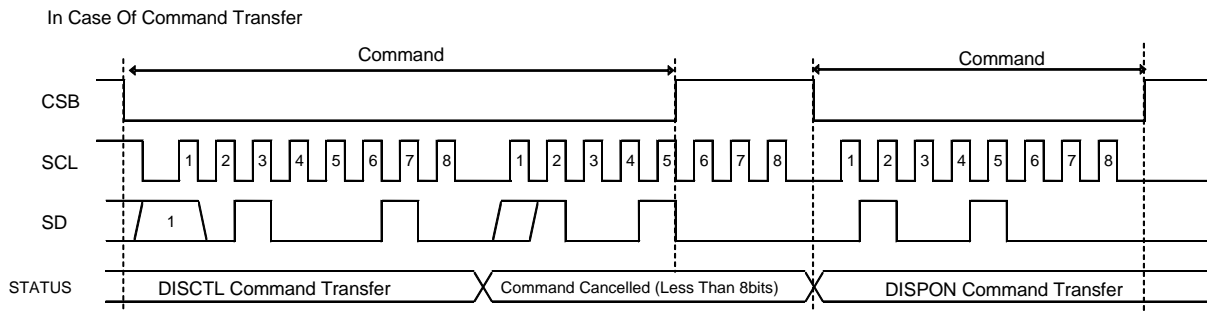
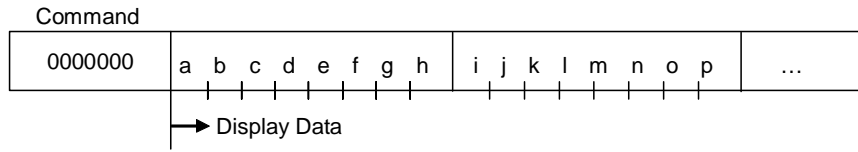


Figure 16. Command transfer format

○Write display data and transfer method
 <BU9795AKV/BU9795AKS2>

This LSI has Display Data RAM (DDRAM) of 35×4=140bit.
 The relationship between data input and display data, DDRAM data and address are as follows.



8 bit data will be stored in DDRAM. The address to be written is the address specified by ADSET command, and the address is automatically incremented in every 4bit data.
 Data can be continuously written in DDRAM by transmitting Data continuously.
 (When RAM data is written successively after writing RAM data to 22h (SEG34), the address is returned to 00h (SEG0) by the auto-increment function.)

		DDRAM address															
		00h	01h	02h	03h	04h	05h	06h	07h	1Eh	1Fh	20h	21h	22h		
BIT	0	a	e	i	m	q	u									COM0	
	1	b	f	j	n	r	v									COM1	
	2	c	g	k	o	s	x									COM2	
	3	d	h	l	p	t	y									COM3	
		SEG 0	SEG 1	SEG 2	SEG 3	SEG 4	SEG 5	SEG 6	SEG 7	SEG 30	SEG 31	SEG 32	SEG 33	SEG 34		

As data transfer to DDRAM happens every 4bit data, it will be cancelled if it changes CSB="L"→"H" before 4bits data transfer.

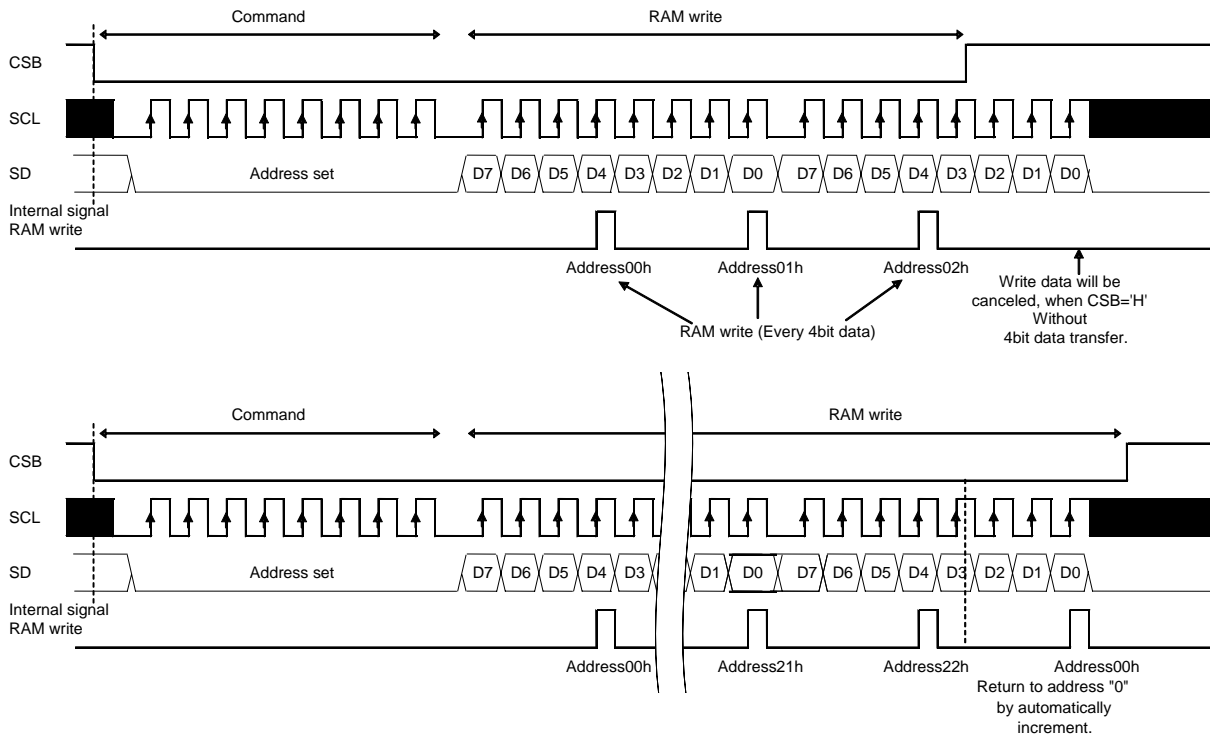
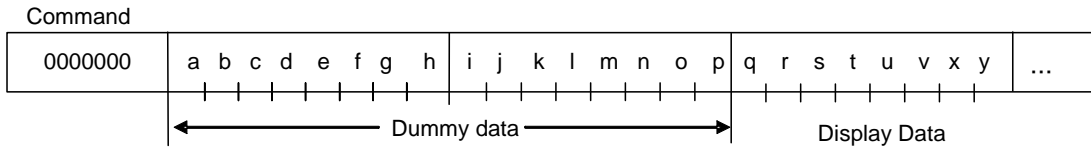


Figure 17. BU9795AKV/BU9795AKS2 Data Transfer Format

<BU9795AFV>

This LSI has Display Data RAM (DDRAM) of 27x4=108bit.
 As SEG0, SEG1, SEG2, SEG3, SEG31, SEG32, SEG33, SEG34 are not output, these address will be dummy address.
 The relationship between data input and display data, DDRAM data and address are as follows.



8 bit data will be stored in DDRAM. The address to be written is the address specified by ADSET command, and the address is automatically incremented in every 4bit data.
 Data can be continuously written in DDRAM by transmitting Data continuously.
 (When RAM data is written successively after writing RAM data to 22h (SEG34), the address is returned to 00h (SEG0) by the auto-increment function.)

Dummy data				DDRAM address														Dummy data			
00h 01h 02h 03h				04h	05h	06h	07h	1Eh	1Fh	20h	21h	22h								
0	a	e	i	m	q	u											COM0				
1	b	f	j	n	r	v											COM1				
2	c	g	k	o	s	x											COM2				
3	d	h	l	p	t	y											COM3				
	SEG	SEG	SEG	SEG	SEG	SEG	SEG	SEG	SEG	SEG	SEG	SEG	SEG	SEG						
	0	1	2	3	4	5	6	7	30	31	32	33	34							

As data transfer to DDRAM happens every 4bit data, it will be cancelled if it changes CSB="L"→"H" before 4bits data transfer.

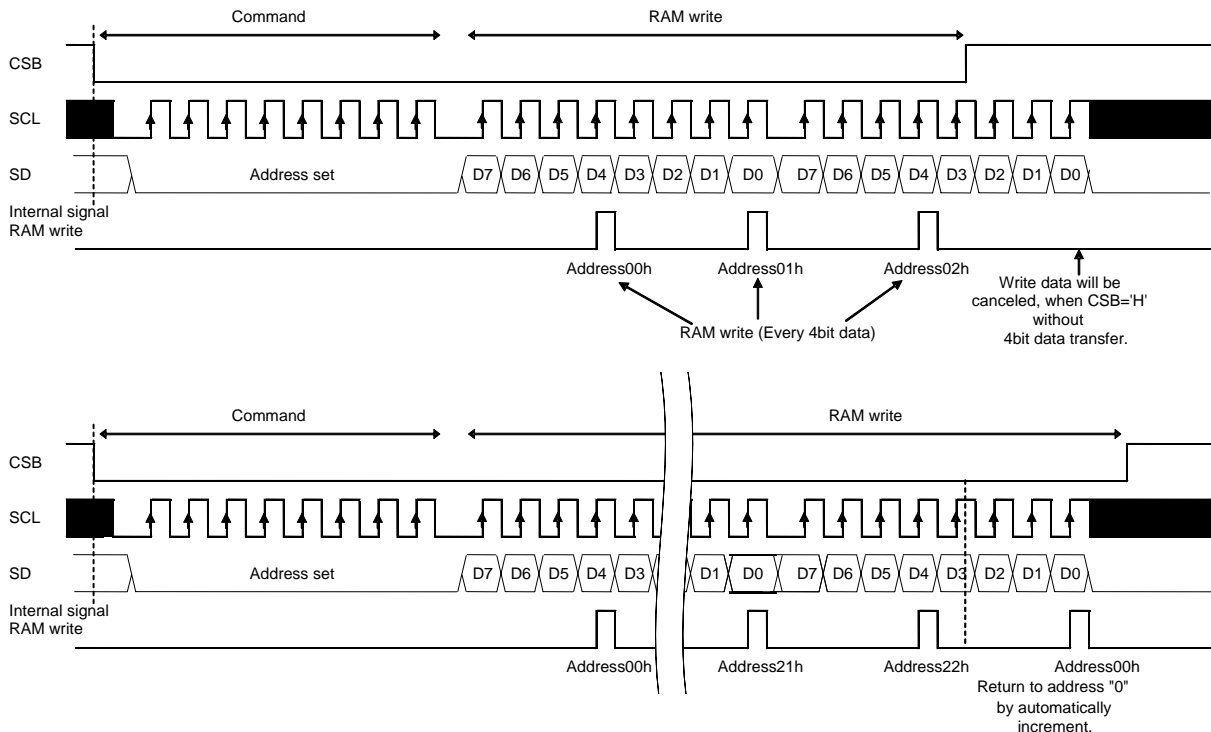
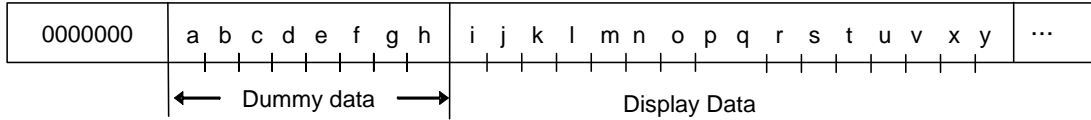


Figure 18. BU9795AFV Data Transfer Format

<BU9795AGUW>

This LSI has Display Data RAM (DDRAM) of 31×4=124bit.
 As SEG0, SEG1, SEG33, SEG34 are not output, these address will be dummy address.
 The relationship between data input and display data, DDRAM data and address are as follows.

Command



8 bit data will be stored in DDRAM. The address to be written is the address specified by ADSET command, and the address is automatically incremented in every 4bit data.
 Data can be continuously written in DDRAM by transmitting Data continuously.
 (When RAM data is written successively after writing RAM data to 22h (SEG34), the address is returned to 00h (SEG0) by the auto-increment function.)

		DDRAM address																	
		Dummy data																Dummy data	
		00h	01h	02h	03h	04h	05h	06h	07h	1Eh	1Fh	20h	21h	22h				
BIT	0	a	e	i	m	q	u									COM0			
	1	b	f	j	n	r	v									COM1			
	2	c	g	k	o	s	x									COM2			
	3	d	h	l	p	t	y									COM3			
		SEG	SEG	SEG	SEG	SEG	SEG	SEG	SEG	SEG	SEG	SEG	SEG	SEG				
		0	1	2	3	4	5	6	7		30	31	32	33	34				

As data transfer to DDRAM happens every 4bit data, it will be cancelled if it changes CSB="L"→"H" before 4bits data transfer.

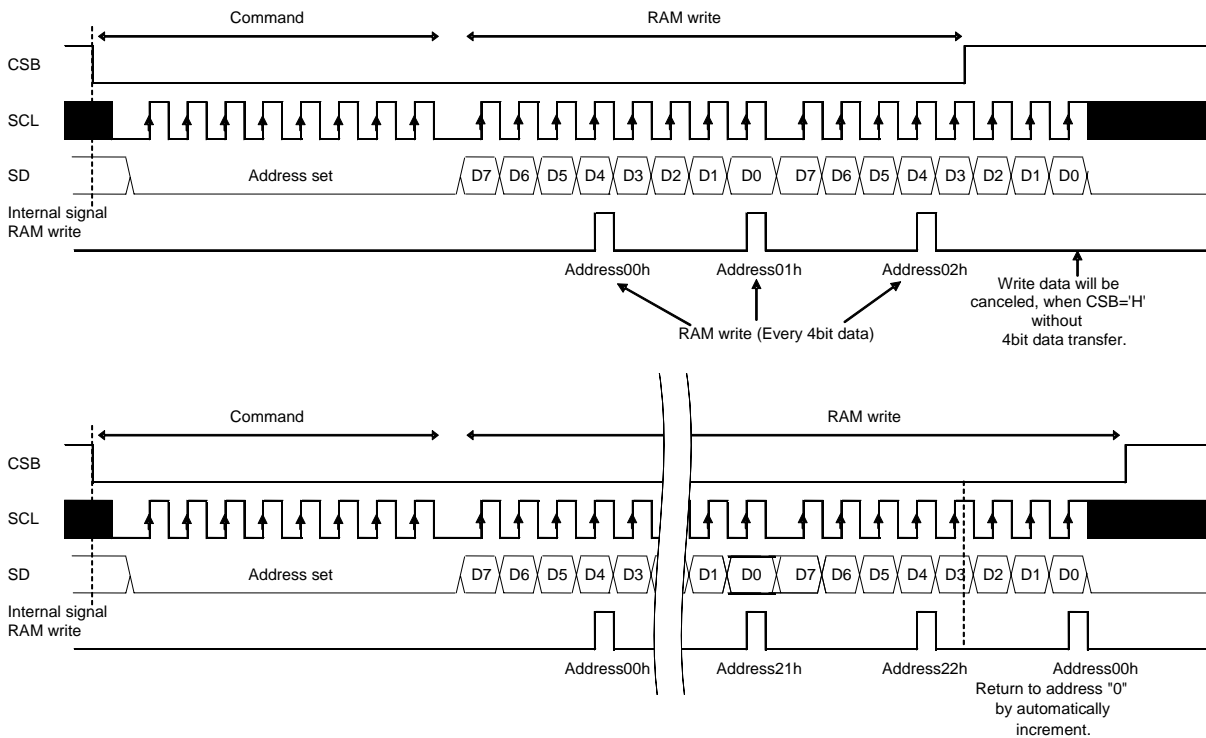


Figure 19. BU9795AGUW Data Transfer Format

OOSCILLATOR

There are two kinds of clock for logic and analog circuit; from internal oscillator circuit or external clock input. If internal oscillator circuit will be used, OSCIN must be connected to VSS.

*When you use external clock, execute ICSET command and connect OSCIN to external clock.

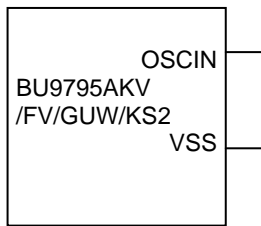


Figure 20. Internal oscillator circuit mode

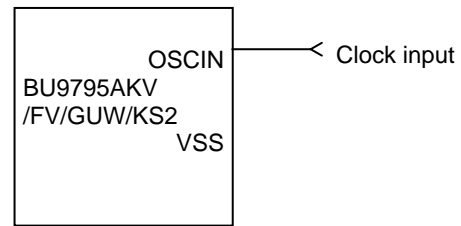


Figure 21. External clock mode

OLCD Driver Bias Circuit

This LSI generates LCD driving voltage with on-chip Buffer AMP. And it can drive LCD at low power consumption.

*1/3 and 1/2Bias can be set in MODESET command.

*Line and frame inversion can be set in DISCTL command.

Refer to “LCD driving waveform” about each LCD driving waveform.

OBlink timing generator

This device has Blinking function.

*This LSI is able to set blink mode with BLKCTL command.

Blink frequency varies widely by characteristic of fCLK, when internal oscillation circuit.

Refer to Oscillation Characteristics for more details on fCLK.

OReset (initial) condition

Initial condition after execute SOFTWARE RESET is as follows.

- Display is OFF.
- DDRAM address is initialized (DDRAM Data is not initialized).

Refer to Command Description about initialize value of register.

●Command / Function List

Description List of Command / Function

No.	Command	Function
1	Mode Set (MODESET)	Set LCD drive mode
2	Address Set (ADSET)	Set LCD display mode 1
3	Display Control (DISCTL)	Set LCD display mode 2
4	Set IC Operation (ICSET)	Set IC operation
5	Blink Control (BLKCTL)	Set blink mode
6	All Pixel Control (APCTL)	Set pixel condition

●Detailed Command Description

D7 (MSB) is bit for command or data judgment.
Refer to Command and data transfer method.

C : 0 : Next byte is RAM write data.
1 : Next byte is command.

OMode Set (MODE SET)

MSB				LSB			
D7	D6	D5	D4	D3	D2	D1	D0
C	1	0	*	P3	P2	*	*

(* : Don't care)

Set display ON and OFF

Setting	P3	Reset initialize condition
Display OFF(DISPOFF)	0	○
Display ON(DISPON)	1	

Display OFF : Regardless of DDRAM data, all SEGMENT and COMMON output will be stopped after 1 frame of data write. Display OFF mode will be finished by Display ON.

Display ON : SEGMENT and COMMON output will be active and start to read the display data from DDRAM.

(Note) It is not synchronize with display frame, when it will be controlled display ON/OFF with INHb terminal.

Set bias level

Setting	P2	Reset initialize condition
1/3 Bias	0	○
1/2 Bias	1	

Refer to LCD driving waveform.

OAddress set (ADSET)

MSB				LSB			
D7	D6	D5	D4	D3	D2	D1	D0
C	0	0	P4	P3	P2	P1	P0

Address data is specified in P[4 : 0] and P2 (ICSET command) as follows.

	MSB			LSB
Internal register	Address [5]	Address [4]	...	Address [0]
Bit of each command	ICSET [P2]	ADSET [P4]	...	ADSET [P0]

The address is 00h in reset condition. The valid address is 00h to 22h.

Another address is invalid, (otherwise address will be set to 00h.)

P2 of ICSET command is only to define either MSB of address is "1" or "0".

Address counter will be set only when ADSET command is executed.

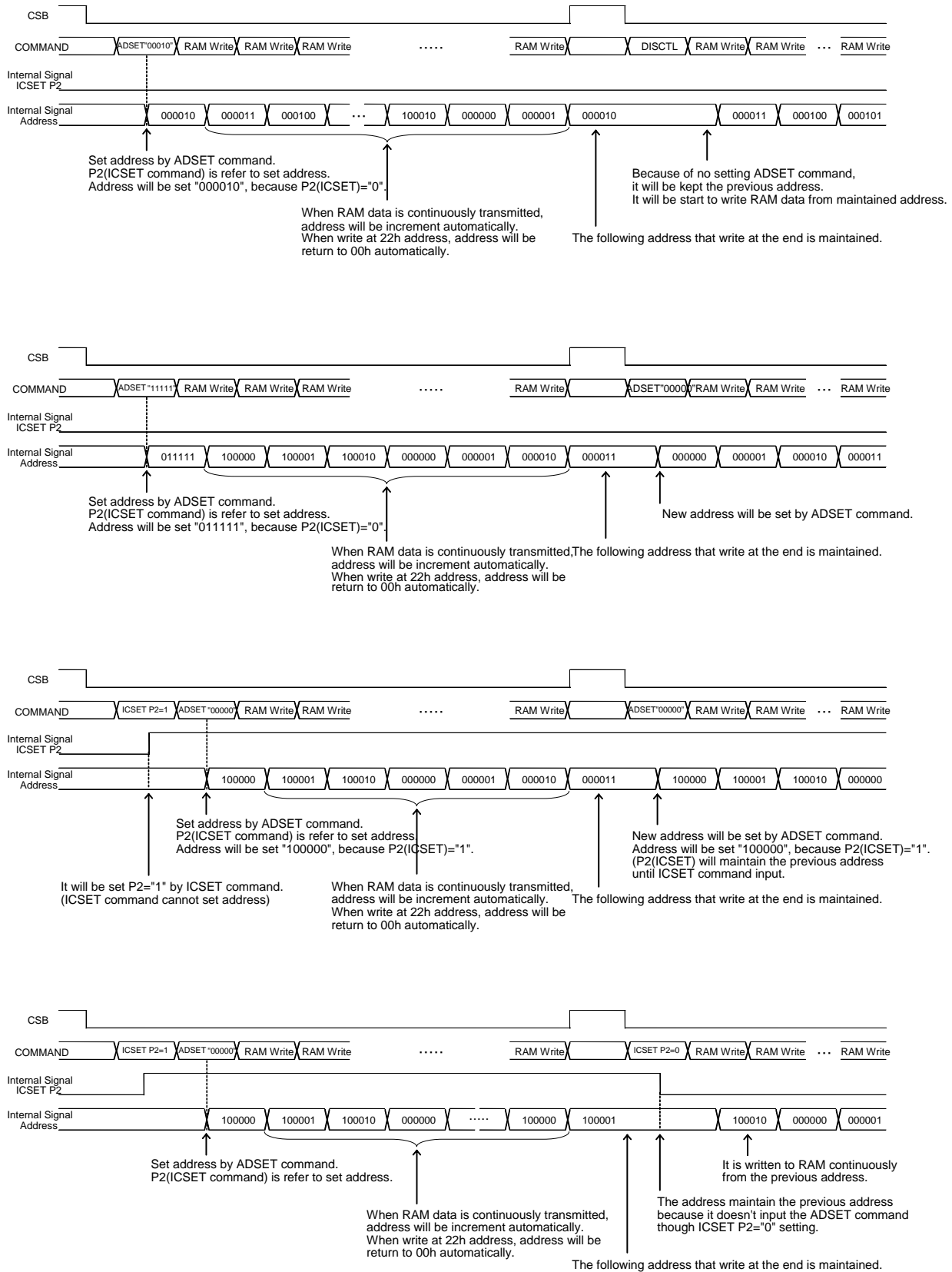


Figure 22. Address Set sequence

ODisplay control (DISCTL)

MSB				LSB			
D7	D6	D5	D4	D3	D2	D1	D0
C	0	1	P4	P3	P2	P1	P0

Set Frame frequency

Setting	P4	P3	Reset initialize condition
80Hz	0	0	○
71Hz	0	1	
64Hz	1	0	
53Hz	1	1	

* About the characteristics of FR, refer to Oscillation characteristics.

Set LCD drive waveform

Setting	P2	Reset initialize condition
Line inversion	0	○
Frame inversion	1	

Set Power save mode

Setting	P1	P0	Reset initialize condition
Power save mode 1	0	0	
Power save mode 2	0	1	
Normal mode	1	0	○
High power mode	1	1	

*VDD-VLCD≥3.0V is required for High power mode.

(Reference current consumption data)

Setting	Reset initialize condition
Power save mode 1	×0.5
Power save mode 2	×0.67
Normal mode	×1.0
High power mode	×1.8

*Above current consumption data is reference value. It depends on panel load.

(Note) Frame rate FR / LCD drive waveform / Power save mode SR will effect display image.
 Select the best value in point of current consumption and display image using LCD panel (under real application).

Mode	Screen flicker	Display image / contrast
Frame frequency	○	-
LCD drive waveform	○	○
Power save mode	-	○

OSet IC Operation (ICSET)

MSB				LSB			
D7	D6	D5	D4	D3	D2	D1	D0
C	1	1	0	1	P2	P1	P0

P2 : MSB data of DDRAM address. Please refer to "ADSET" command.

Setting	P2	Reset initialize condition
Address MSB'0'	0	○
Address MSB'1'	1	

Set Software Reset condition

Setting	P1
No operation	0
Software Reset	1

When "Software Reset" is executed, this LSI will be reset to initial condition.

If software reset is executed, the value of P2 and P1 will be ignored and they will be set initialized condition. (Refer to "Reset initial condition")

Switch between internal clock and external clock.

Setting	P0	Reset initialize condition
Internal clock	0	○
External clock input	1	

For internal clock : OSCIN is connected to VSS.

For external clock input : Input external clock into OSCIN.

<external Clock Frame frequency calculation>

DISCTL 80Hz select : Frame frequency [Hz] = external clock[Hz] / 512

DISCTL 71Hz select : Frame frequency [Hz] = external clock[Hz] / 576

DISCTL 64Hz select : Frame frequency [Hz] = external clock[Hz] / 648

DISCTL 53Hz select : Frame frequency [Hz] = external clock[Hz] / 768

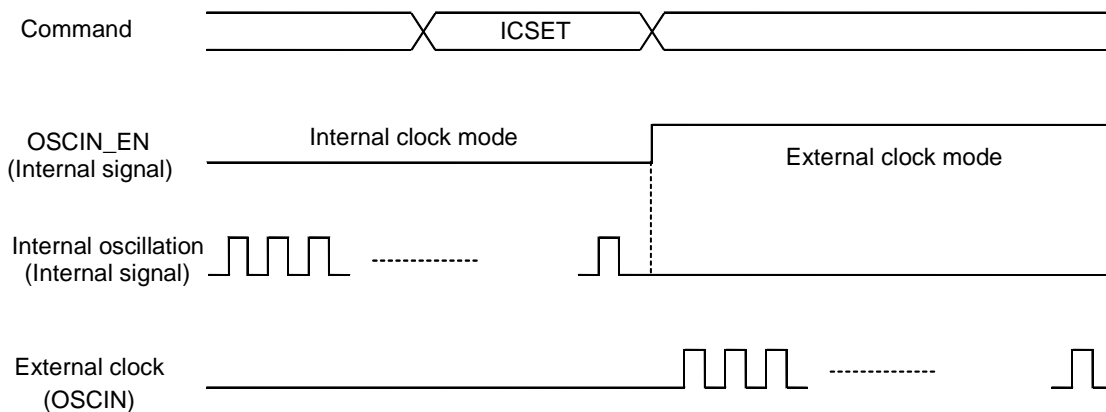


Figure 23. OSCMODE switching timing

OBlink control (BLKCTL)

MSB				LSB			
D7	D6	D5	D4	D3	D2	D1	D0
C	1	1	1	0	*	P1	P0

Set blink condition

Setting (Hz)	P1	P0	Reset initialize condition
OFF	0	0	○
0.5	0	1	
1	1	0	
2	1	1	

OAll pixel control (APCTL)

MSB				LSB			
D7	D6	D5	D4	D3	D2	D1	D0
C	1	1	1	1	1	P1	P0

All display set ON. OFF

Setting	P1	Reset initialize condition
Normal	0	○
All pixel ON	1	

Setting	P0	Reset initialize condition
Normal	0	○
All pixel OFF	1	

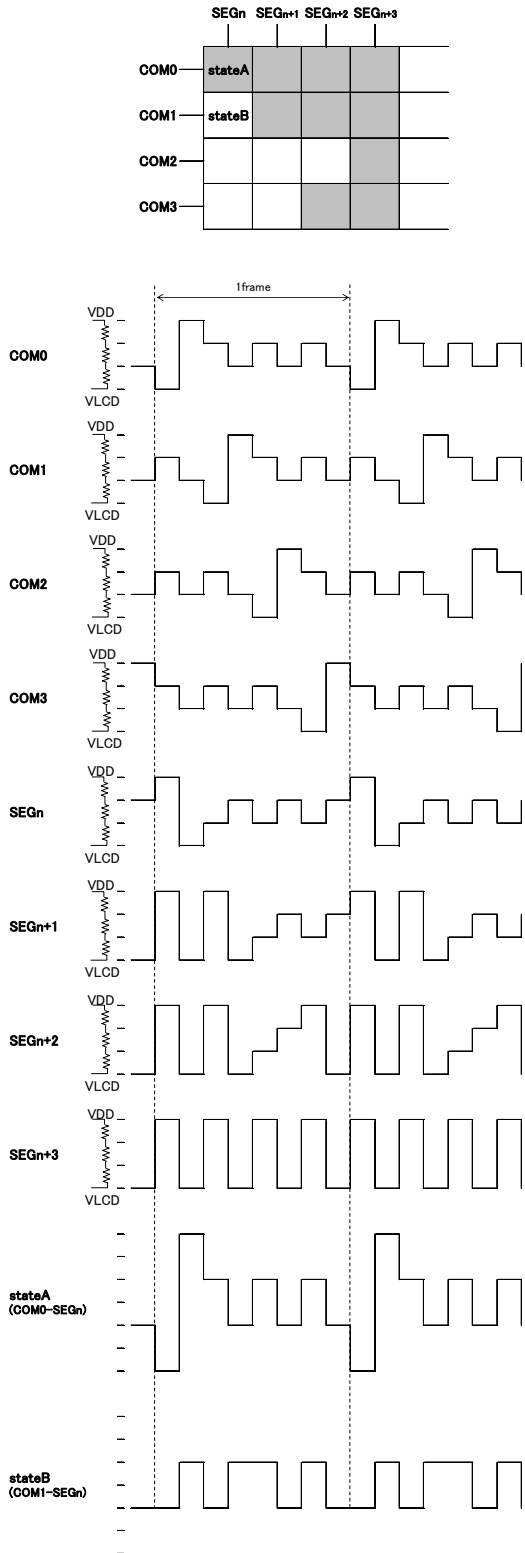
All pixels ON : All pixels are ON regardless of DDRAM data.
 All pixels OFF : All pixels are OFF regardless of DDRAM data.

(Note) All pixels ON/OFF is effective only at the time of "Display ON" status.
 The data of DDRAM do not change with this command.
 If both P1 and P0=1', APOFF is selected. APOFF has higher priority than APON.

●LCD driving waveform

(1/3bias)

Line inversion



Frame inversion

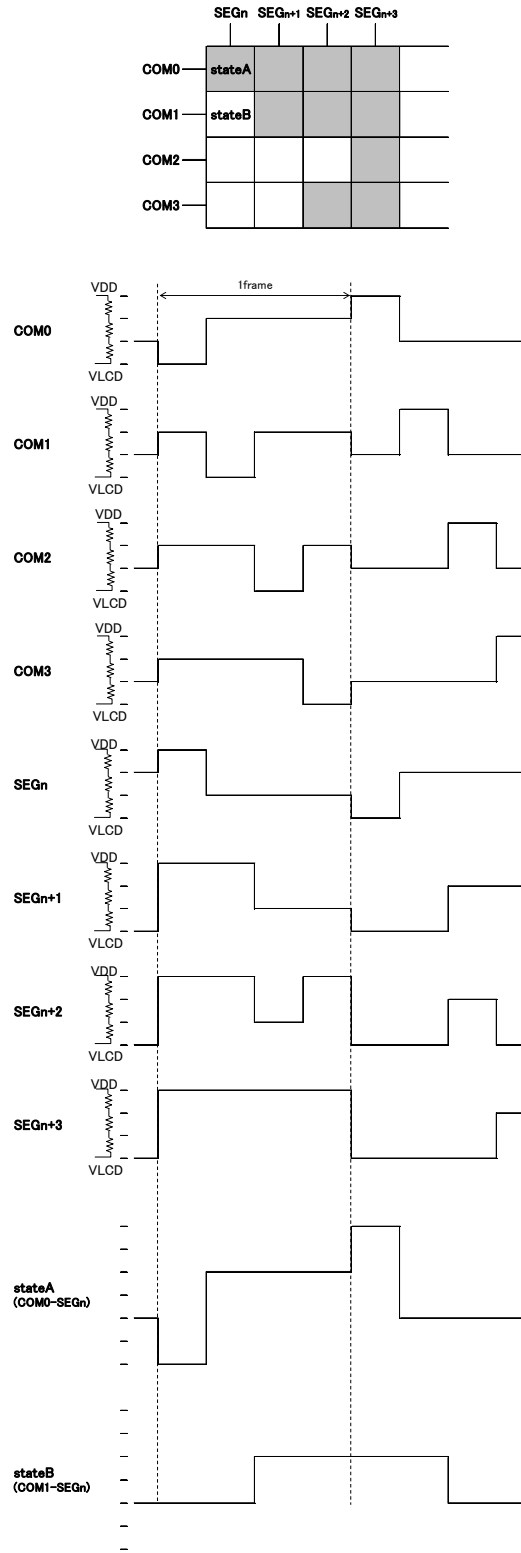


Figure 24. Line inversion waveform(1/3bias)

Figure 25. Frame inversion waveform(1/3bias)

(1/2bias)
Line inversion

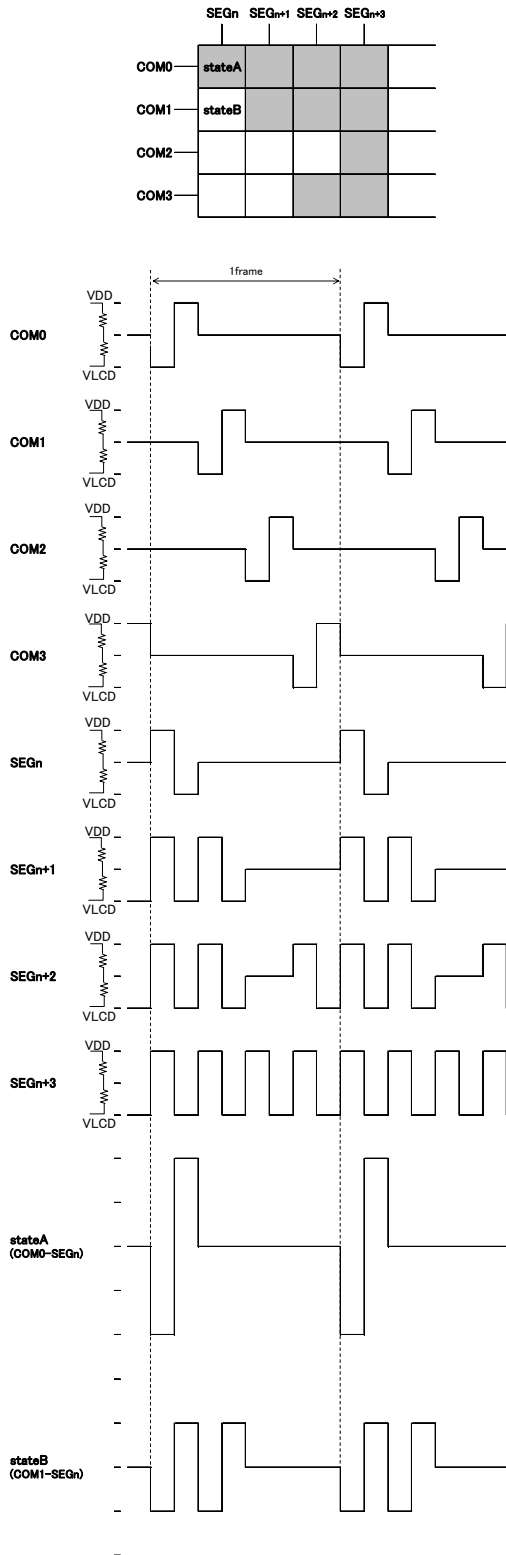


Figure 26. Line inversion waveform(1/2bias)

Frame inversion

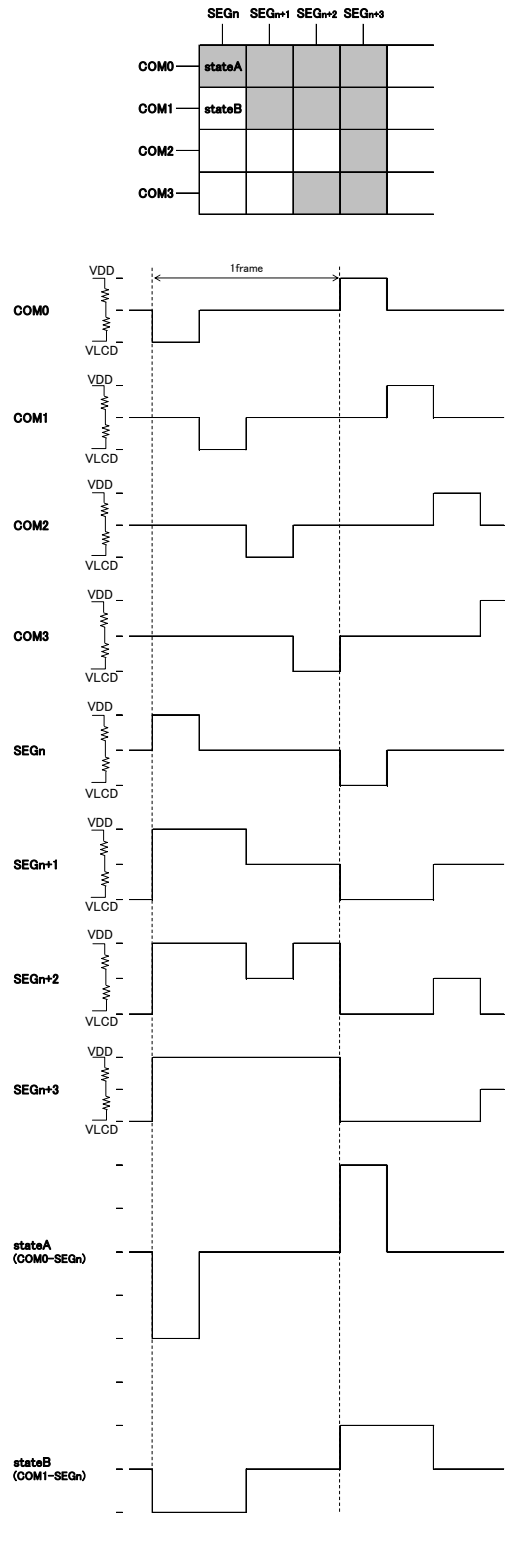


Figure 27. Frame inversion waveform(1/2bias)

●Example of display data

If LCD layout pattern is shown as in Figure28, Figure29 and DDRAM data is shown as in Table 5, display pattern will be shown as in Figure 30.

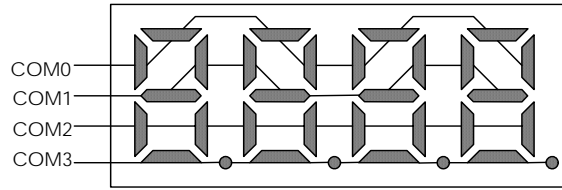


Figure 28. Example COM line pattern

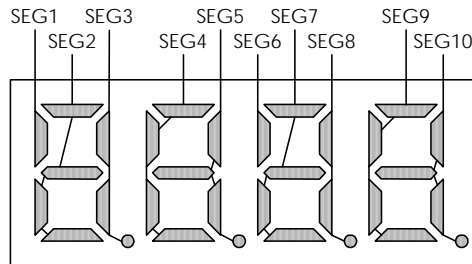


Figure 29. Example SEG line pattern



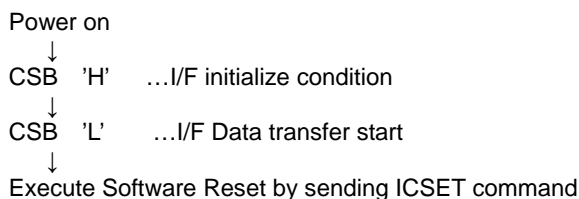
Figure 30. Example Display pattern

Table 5. DDRAM Data map

	S	S	S	S	S	S	S	S	S	S	S	S	S	S	S	S	S	S	S		
	E	E	E	E	E	E	E	E	E	E	E	E	E	E	E	E	E	E	E		
	G	G	G	G	G	G	G	G	G	G	G	G	G	G	G	G	G	G	G		
	0	1	2	3	4	5	6	7	8	9	10	11	12	13	14	15	16	17	18	19	
COM0	D0	0	1	1	0	1	1	1	1	0	1	0	0	0	0	0	0	0	0	0	
COM1	D1	0	0	1	1	1	0	0	1	1	1	1	0	0	0	0	0	0	0	0	
COM2	D2	0	0	0	1	0	1	0	0	1	0	1	0	0	0	0	0	0	0	0	
COM3	D3	0	0	1	1	0	0	0	1	0	1	0	0	0	0	0	0	0	0	0	
Address		00h	01h	02h	03h	04h	05h	06h	07h	08h	09h	0Ah	0Bh	0Ch	0Dh	0Eh	0Fh	10h	11h	12h	13h

●Initialize sequence

Please follow sequence below after Power-On to set this device to initial condition.



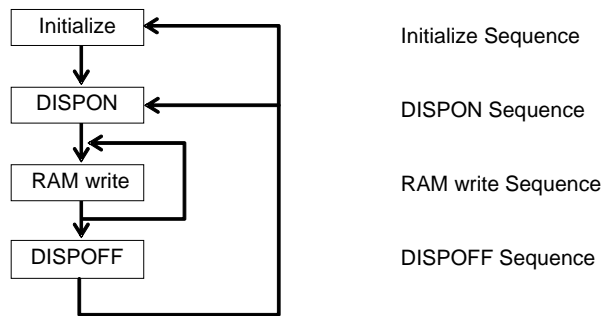
* Each register value and DDRAM address, DDRAM data are random condition after power on till initialize sequence is executed.

●Start sequence

○Start sequence example 1

No.	Input	D7	D6	D5	D4	D3	D2	D1	D0	Descriptions
1	Power on									VDD=0 to 5V (Tr=0.1ms)
	↓									
2	wait 100us									Initialize IC
	↓									
3	CSB 'H'									Initialize I/F data
	↓									
4	CSB 'L'									I/F Data transfer start
	↓									
5	ICSET	1	1	1	0	1	*	1	0	Software Reset
	↓									
6	BLKCTL	1	1	1	1	0	*	0	1	
	↓									
7	DISCTL	1	0	1	0	0	1	1	0	
	↓									
8	ICSET	1	1	1	0	1	0	0	0	RAM address MSB set
	↓									
9	ADSET	0	0	0	0	0	0	0	0	RAM address set
	↓									
10	Display Data	*	*	*	*	*	*	*	*	address 00h to 01h
	Display Data	*	*	*	*	*	*	*	*	address 02h to 03h
	⋮									⋮
	Display Data	*	*	*	*	*	*	*	*	address 22h to 00h
	↓									
11	CSB 'H'									I/F Data transfer stop
	↓									
12	CSB 'L'									I/F Data transfer start
	↓									
13	MODESET	1	1	0	*	1	0	*	*	Display ON
	↓									
14	CSB 'H'									I/F Data transfer stop

○Start sequence example 2



This LSI is initialized with Initialize Sequence. And start to display with DISPON Sequence.
 This LSI will update display data with RAM write Sequence.
 And stop the display with DISPOFF sequence.
 If you want to restart to display, This LSI will restart to display with DISPON Sequence.

Initialize sequence

Input	DATA								Description
	D7	D6	D5	D4	D3	D2	D1	D0	
Power on wait 100us CSB 'H' CSB 'L'									IC initialized I/F initialized
ICSET	1	1	1	0	1	0	1	0	Software Reset
MODESET	1	1	0	0	0	0	0	0	Display OFF
ADSET	0	0	0	0	0	0	0	0	RAM address set
Display Data	*	*	*	*	*	*	*	*	Display data
...									
CSB 'H'									

DISPON sequence

Input	DATA								Description
	D7	D6	D5	D4	D3	D2	D1	D0	
CSB 'L'									
DISCTL	1	0	1	1	1	1	1	1	Display Control
BLKCTL	1	1	1	1	0	0	0	0	BLKCTL
APCTL	1	1	1	1	1	1	0	0	APCTL
MODESET	1	1	0	0	1	0	0	0	Display ON
CSB 'H'									

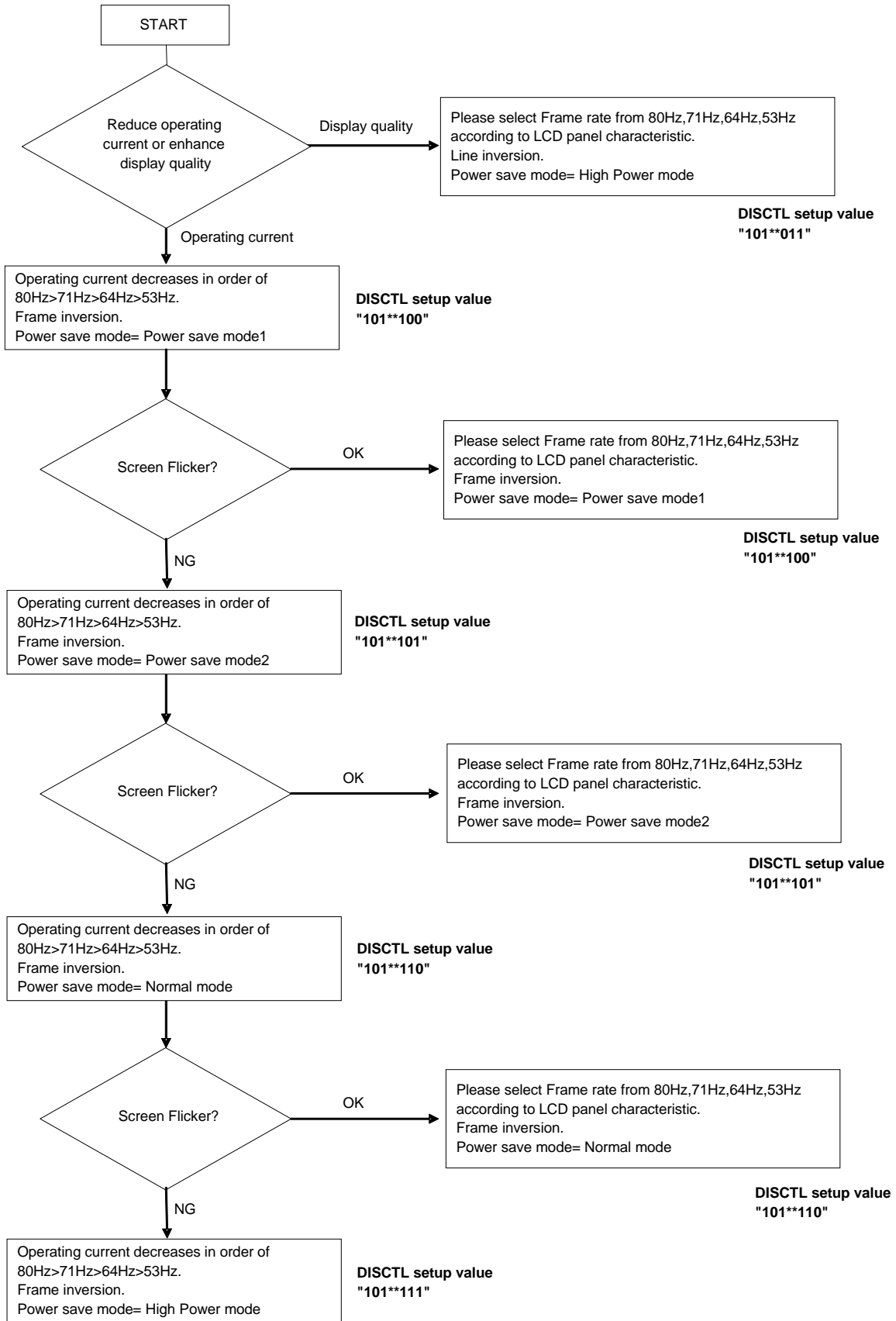
RAM write sequence

Input	DATA								Description
	D7	D6	D5	D4	D3	D2	D1	D0	
CSB 'L'									
DISCTL	1	0	1	1	1	1	1	1	Display Control
BLKCTL	1	1	1	1	0	0	0	0	BLKCTL
APCTL	1	1	1	1	1	1	0	0	APCTL
MODESET	1	1	0	0	1	0	0	0	Display ON
ADSET	0	0	0	0	0	0	0	0	RAM address set
Display Data	*	*	*	*	*	*	*	*	Display data
...									
CSB 'H'									

DISPOFF sequence

Input	DATA								Description
	D7	D6	D5	D4	D3	D2	D1	D0	
CSB 'L'									
MODESET	1	1	0	0	0	0	0	0	Display OFF
CSB 'H'									

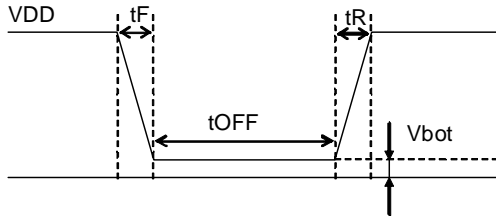
●Example of start sequence



●Cautions on Power ON condition

This LSI has "P.O.R" (Power-On Reset) circuit and Software Reset function. Please keep the following recommended Power-On conditions in order to power up properly.

Please set power up conditions to meet the recommended t_R , t_F , t_{OFF} , and V_{bot} spec below in order to ensure P.O.R operation.



Recommended condition of $t_R, t_F, t_{OFF}, V_{bot}$

t_R	t_F	t_{OFF}	V_{bot}
Less than 1ms	Less than 1ms	More than 150ms	Less than 0.1V

Figure 31. Power ON/OFF waveform

If it is difficult to meet above conditions, execute the following sequence after Power-On. Command input is not accepted during power off. It has to take care that software reset is not a perfect substitute to POR function.

- (1) CSB="L"→"H" condition

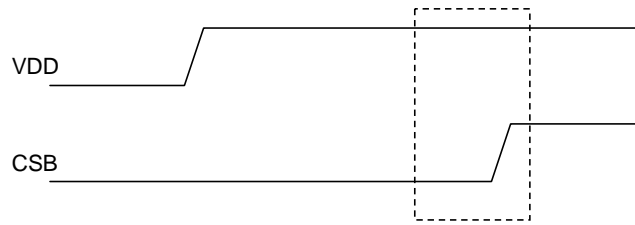


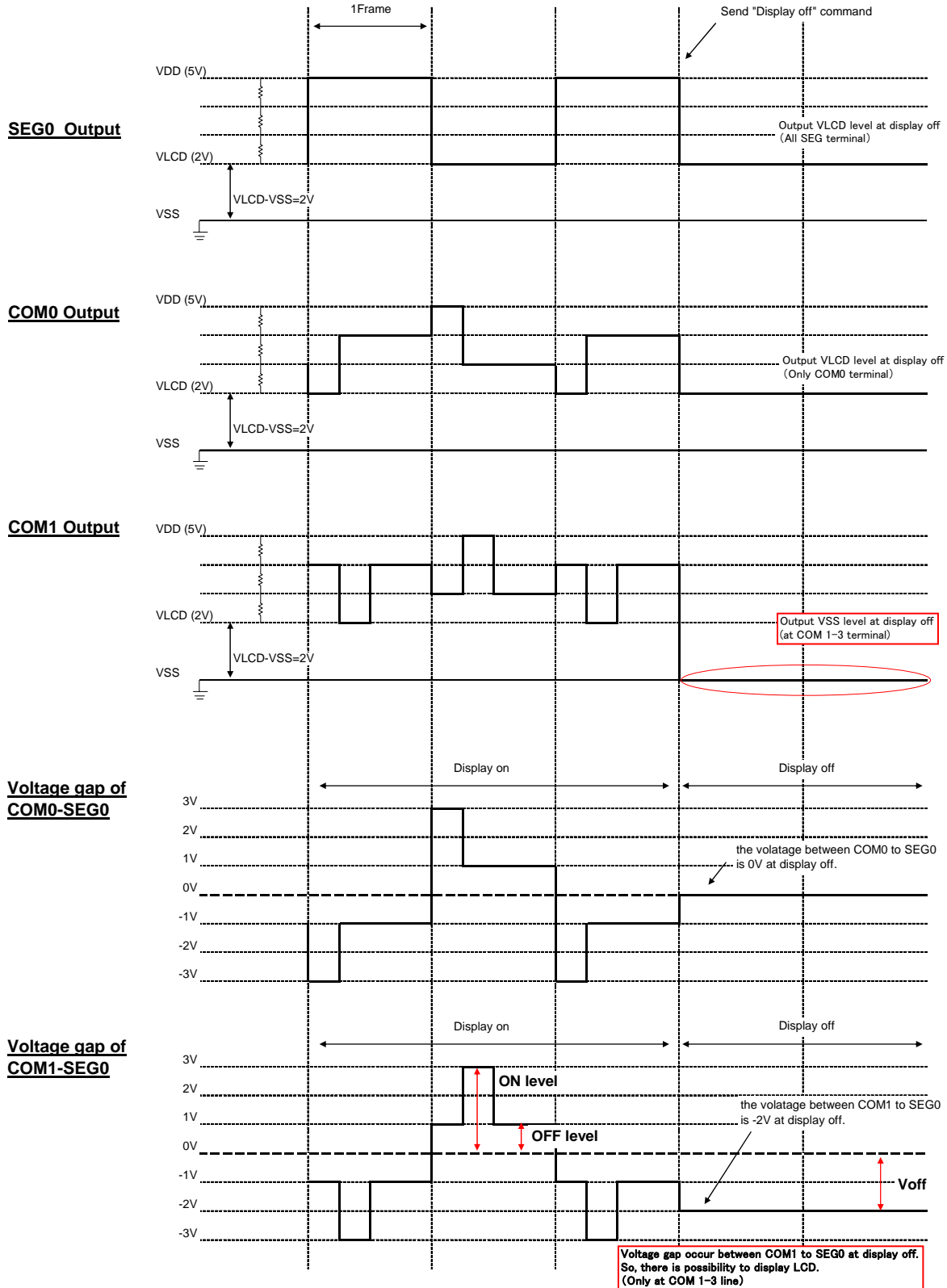
Figure 32. CSB Timing

- (2) After CSB"H"→"L", execute Software Reset (ICSET command).

●Cautions on application

In case, BU9795AKV/BU9795AFV/BU9795AGUW/BU9795AKS used at VLCD≠VSS, voltage gap occur between SEG line to COM1-3 line at Display off state. Because of this voltage gap, there is possibility to display LCD for a moment. To avoid this phenomenon, please decide VDD and VLCD level to satisfy Voff voltage lower than OFF level (OFF level = 1V at the example explained below).

condition : VDD=5.0V
 VLCD=2.0V
 1/3bias
 DDRAM data ALL "H"
 Frame inversion



●Operational Notes

- (1) Absolute Maximum Ratings
Operating the IC over the absolute maximum ratings may damage the IC. The damage can either be a short circuit between pins or an open circuit between pins. Therefore, it is important to consider circuit protection measures, such as adding a fuse, in case the IC is operated over the absolute maximum ratings.
- (2) Recommended Operating conditions
These conditions represent a range within which the expected characteristics of the IC can be approximately obtained. The electrical characteristics are guaranteed under the conditions of each parameter.
- (3) Reverse Connection of Power Supply
Connecting the power supply in reverse polarity can damage the IC. Take precautions against reverse polarity when connecting the power supply, such as mounting an external diode between the power supply and the IC's power supply terminals.
- (4) Power Supply Lines
Design the PCB layout pattern to provide low impedance ground and supply lines. Separate the ground and supply lines of the digital and analog blocks to prevent noise in the ground and supply lines of the digital block from affecting the analog block. Furthermore, connect a capacitor to ground at all power supply pins. Consider the effect of temperature and aging on the capacitance value when using electrolytic capacitors.
- (5) Ground Voltage
The voltage of the ground pin must be the lowest voltage of all pins of the IC at all operating conditions. Ensure that no pins are at a voltage below the ground pin at any time, even during transient condition.
- (6) Short between Pins and Mounting Errors
Be careful when mounting the IC on printed circuit boards. The IC may be damaged if it is mounted in a wrong orientation or if pins are shorted together. Short circuit may be caused by conductive particles caught between the pins.
- (7) Operation under Strong Electromagnetic Field
Operating the IC in the presence of a strong electromagnetic field may cause the IC to malfunction.
- (8) Testing on Application Boards
When testing the IC on an application board, connecting a capacitor directly to a low-impedance output pin may subject the IC to stress. Always discharge capacitors completely after each process or step. The IC's power supply should always be turned off completely before connecting or removing it from the test setup during the inspection process. To prevent damage from static discharge, ground the IC during assembly and use similar precautions during transport and storage.
- (9) Regarding Input Pins of the IC
In the construction of this IC, P-N junctions are inevitably formed creating parasitic diodes or transistors. The operation of these parasitic elements can result in mutual interference among circuits, operational faults, or physical damage. Therefore, conditions which cause these parasitic elements to operate, such as applying a voltage to an input pin lower than the GND voltage should be avoided. Furthermore, do not apply a voltage to the input terminals when no power supply voltage is applied to the IC. Even if the power supply voltage is applied, make sure that the input terminals have voltages within the values specified in the electrical characteristics of this IC.
- (10) GND Wiring Pattern
When using both small-signal and large-current GND traces, the two ground traces should be routed separately but connected to a single ground at the reference point of the application board to avoid fluctuations in the small-signal ground caused by large currents. Also ensure that the GND traces of external components do not cause variations on the GND voltage. The power supply and ground lines must be as short and thick as possible to reduce line impedance.
- (11) External Capacitor
When using a ceramic capacitor, determine the dielectric constant considering the change of capacitance with temperature and the decrease in nominal capacitance due to DC bias and others.
- (12) Unused Input Terminals
Input terminals of an IC are often connected to the gate of a CMOS transistor. The gate has extremely high impedance and extremely low capacitance. If left unconnected, the electric field from the outside can easily charge it. The small charge acquired in this way is enough to produce a significant effect on the conduction through the transistor and cause unexpected operation of IC. So unless otherwise specified, input terminals not being used should be connected to the power supply or ground line.
- (13) Rush current
When power is first supplied to the IC, rush current may flow instantaneously. It is possible that the charge current to the parasitic capacitance of internal photo diode or the internal logic may be unstable. Therefore, give special consideration to power coupling capacitance, power wiring, width of GND wiring, and routing of connections.

●Ordering Information

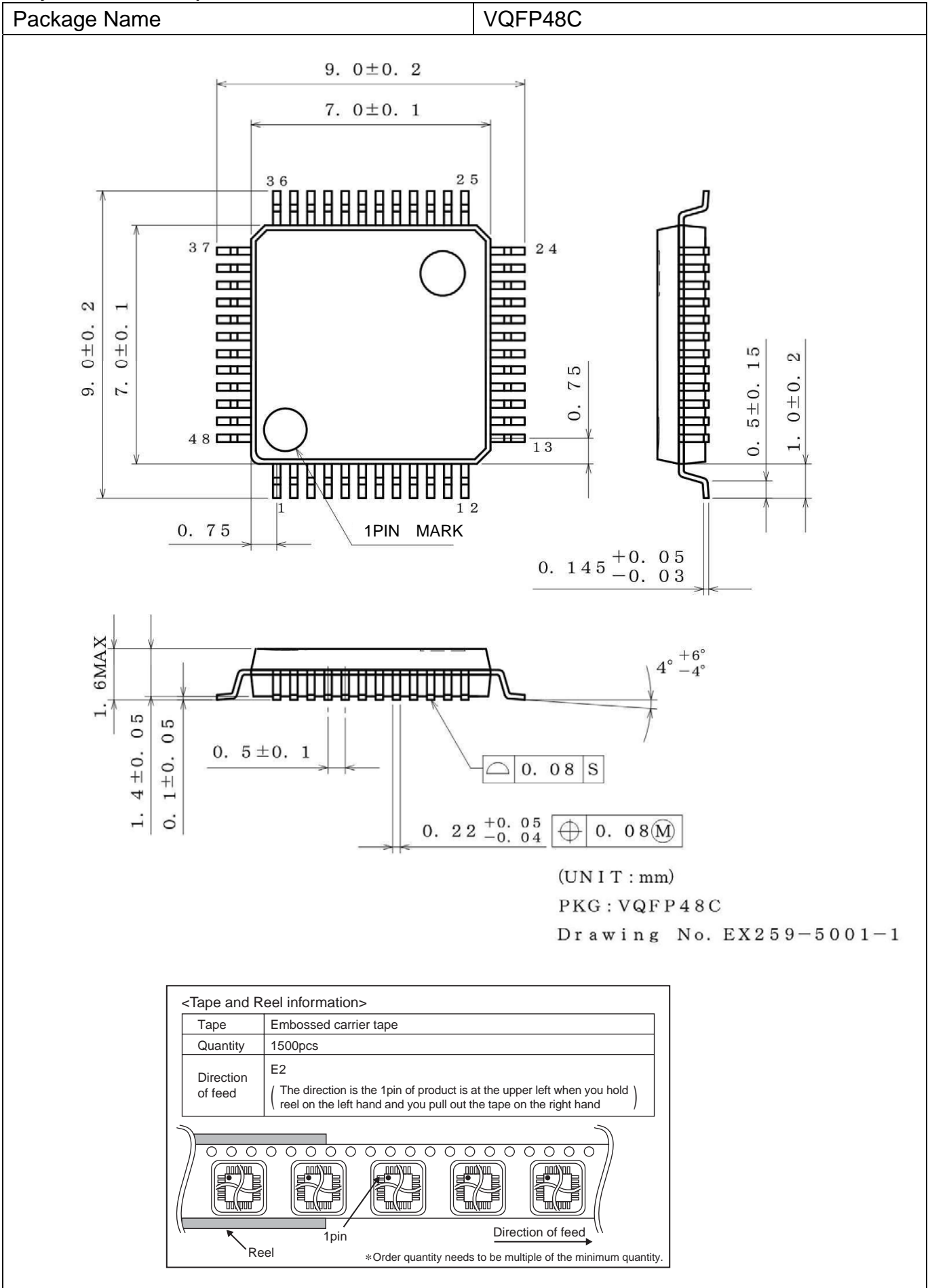
B U 9 7 9 5 A x x x - x x

Part Number	Package KV : VQFP48C FV : SSOP-B40 GUW : VBGA048W040 KS2 : SQFP-T52M	Packaging and forming specification E2: Embossed tape and reel (VQFP48C/ SSOP-B40/ VBGA048W040/ SQFP-T52M)
-------------	--	---

●Lineup

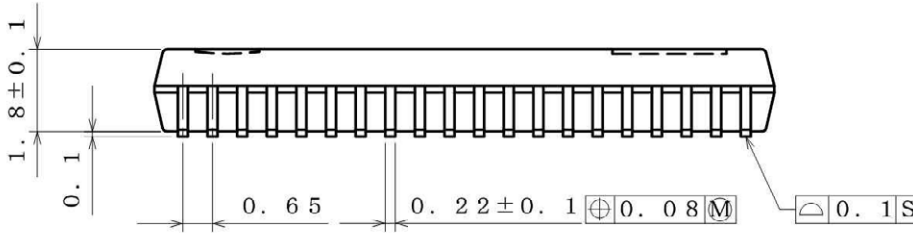
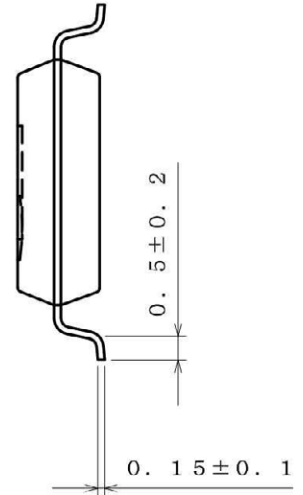
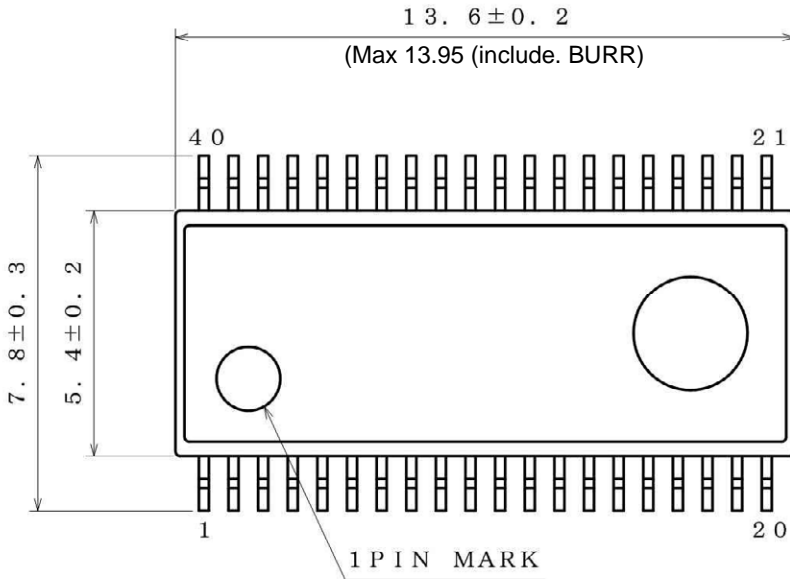
Segment output	Common output	Package		Orderable Part Number
35	4	VQFP48C	Reel of 1500	BU9795AKV-E2
27		SSOP-B40	Reel of 2000	BU9795AFV-E2
31		VBGA048W040	Reel of 2500	BU9795AGUW-E2
35		SQFP-T52M	Reel of 1000	BU9795AKS2-E2
			Tray of 1000	BU9795AKS2

●Physical Dimension Tape and Reel Information



●Physical Dimension, Tape and Reel Information – continued

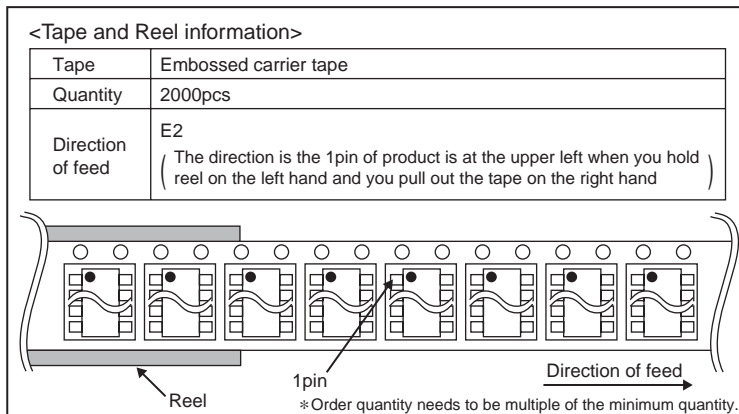
Package Name	SSOP-B40
--------------	----------



(UNIT ; mm)

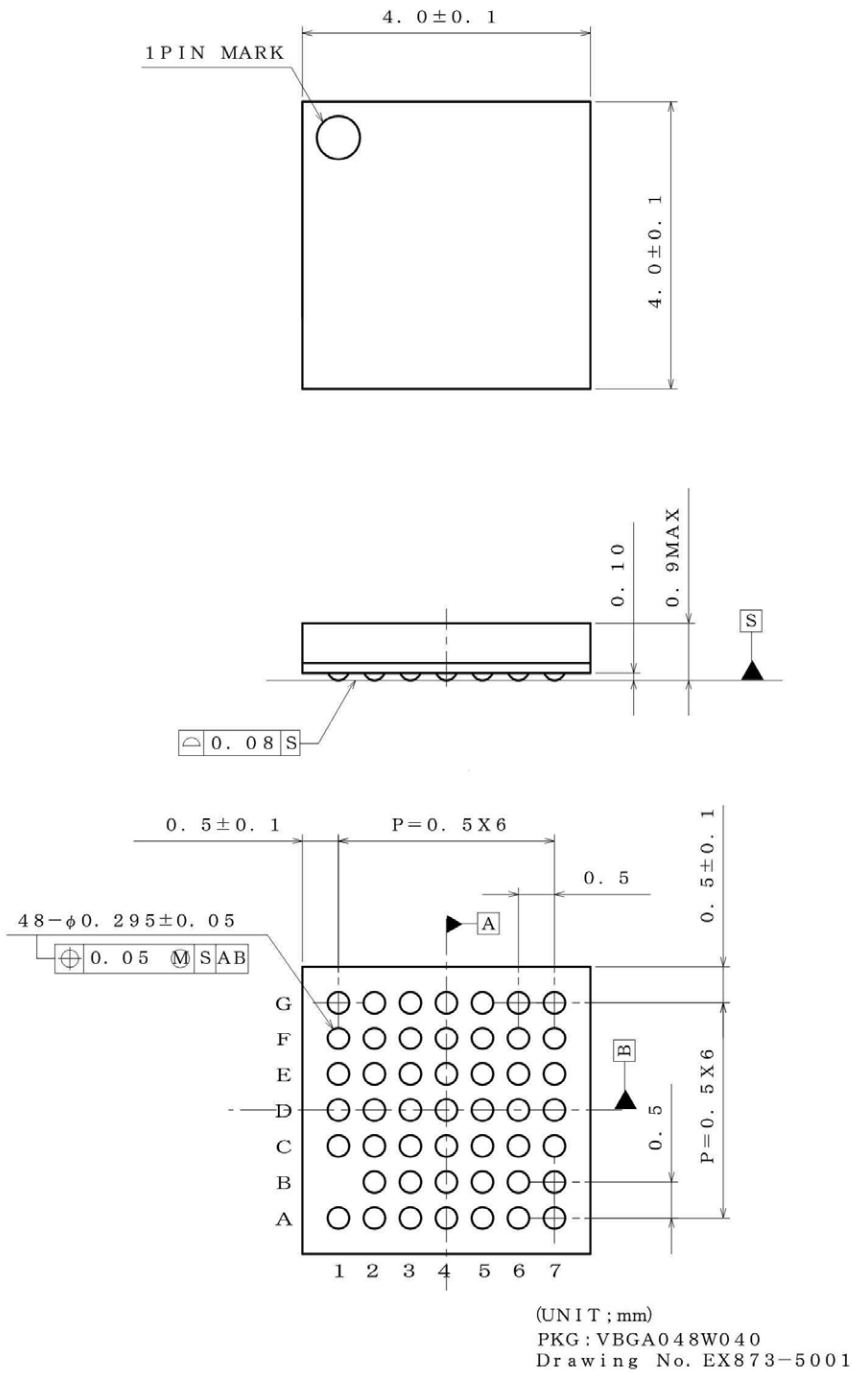
PKG : SSOP-B40

図番 ; EX157-5001



●Physical Dimension, Tape and Reel Information – continued

Package Name	VBGA048W040
--------------	-------------



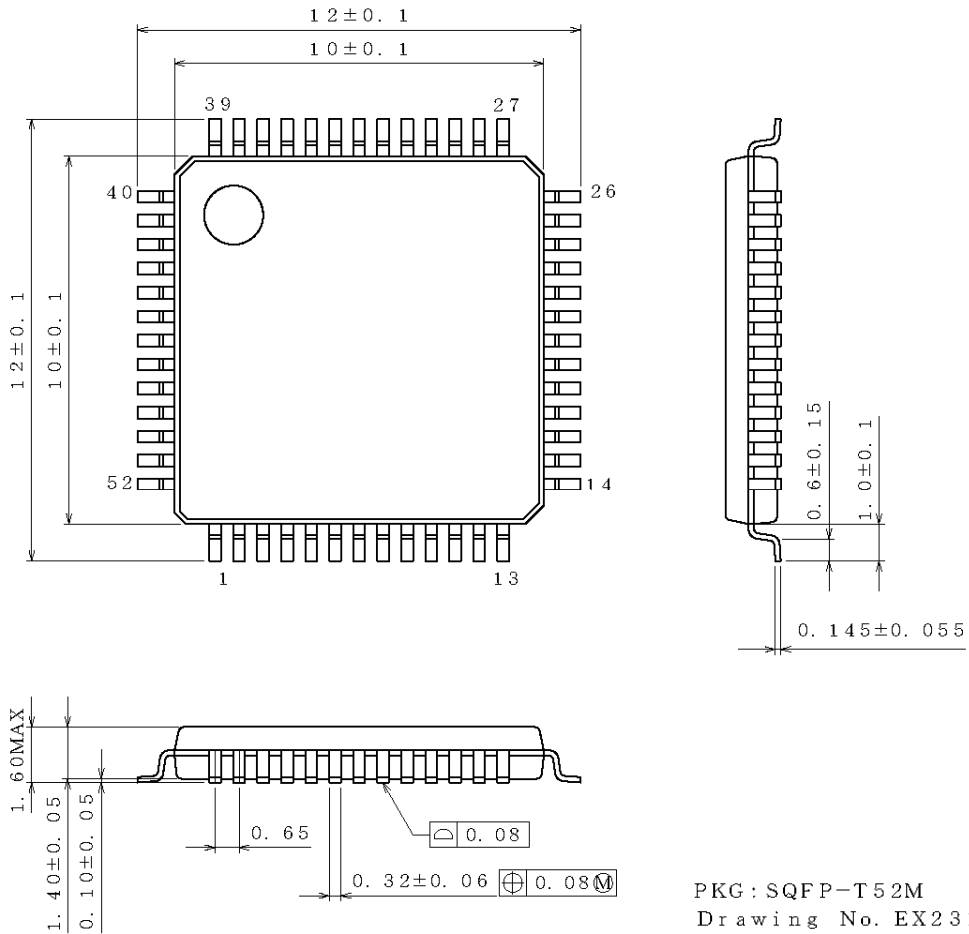
<Tape and Reel information>

Tape	Embossed carrier tape (with dry pack)
Quantity	2500pcs
Direction of feed	E2 (The direction is the 1pin of product is at the upper left when you hold reel on the left hand and you pull out the tape on the right hand)

* Order quantity needs to be multiple of the minimum quantity.

●Physical Dimension, Tape and Reel Information – continued

Package Name	SQFP-T52M
--------------	-----------



PKG : SQFP-T52M
Drawing No. EX231-5001

<Tape and Reel information>

Container	Tray (with dry pack)
Quantity	1000pcs
Direction of feed	Direction of product is fixed in a tray

(UNIT : mm)

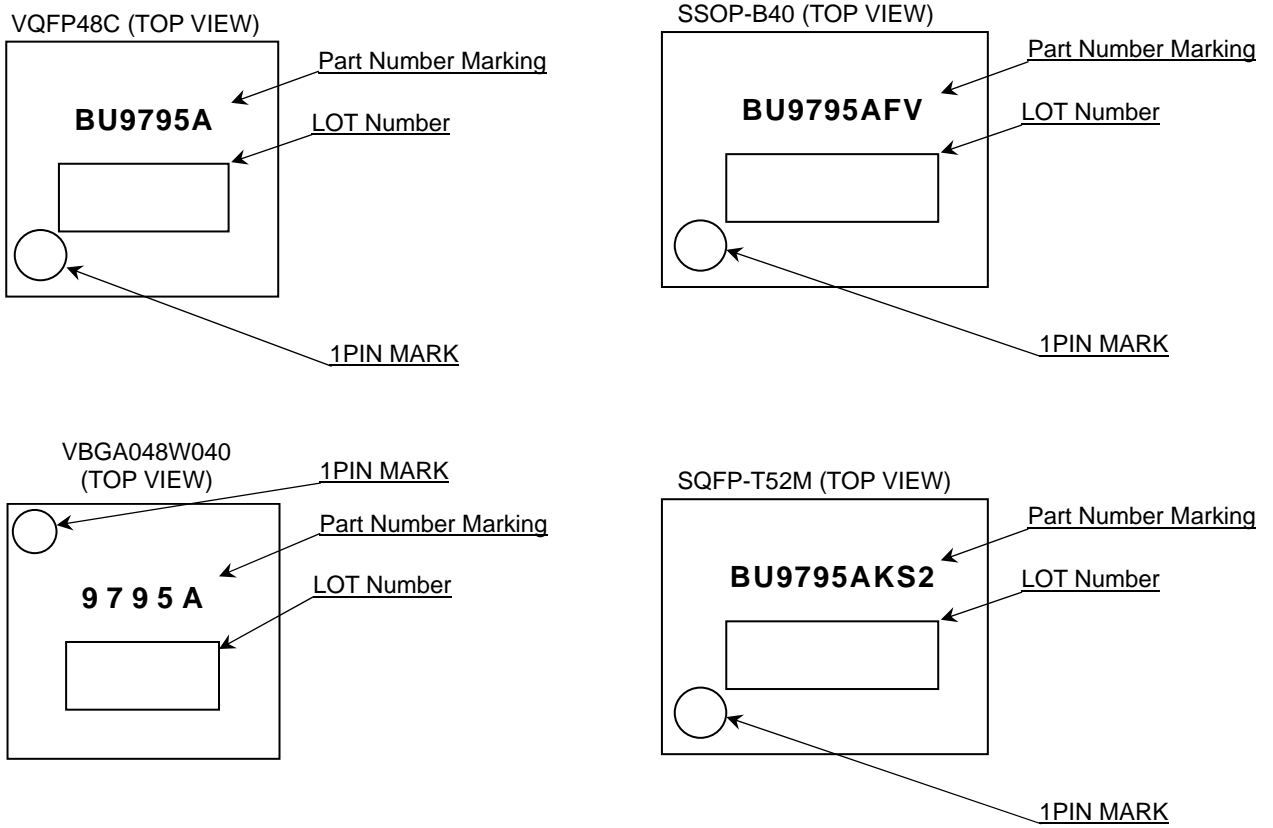
*Order quantity needs to be multiple of the minimum quantity.

<Tape and Reel information>

Tape	Embossed carrier tape
Quantity	1000pcs
Direction of feed	E2 (The direction is the 1pin of product is at the upper left when you hold reel on the left hand and you pull out the tape on the right hand)

*Order quantity needs to be multiple of the minimum quantity.

●Marking Diagrams



Part Number	Package	Part Number Marking
BU9795AKV	VQFP48C	BU9795A
BU9795AFV	SSOP-B40	BU9795AFV
BU9795AGUW	VBGA048W040	9795A
BU9795AKS2	SQFP-T52M	BU9795AKS2

●Revision History

Date	Revision	Changes
14.Mar.2012	001	New Release
12.July.2012	002	Add BU9795AKS2
8.Jan.2013	003	Improved the statement in all pages. Deleted "Status of this document" in page 30.

Notice

Precaution on using ROHM Products

- Our Products are designed and manufactured for application in ordinary electronic equipments (such as AV equipment, OA equipment, telecommunication equipment, home electronic appliances, amusement equipment, etc.). If you intend to use our Products in devices requiring extremely high reliability (such as medical equipment ^(Note 1), transport equipment, traffic equipment, aircraft/spacecraft, nuclear power controllers, fuel controllers, car equipment including car accessories, safety devices, etc.) and whose malfunction or failure may cause loss of human life, bodily injury or serious damage to property ("Specific Applications"), please consult with the ROHM sales representative in advance. Unless otherwise agreed in writing by ROHM in advance, ROHM shall not be in any way responsible or liable for any damages, expenses or losses incurred by you or third parties arising from the use of any ROHM's Products for Specific Applications.

(Note1) Medical Equipment Classification of the Specific Applications

JAPAN	USA	EU	CHINA
CLASS III	CLASS III	CLASS II b	CLASS III
CLASS IV		CLASS III	

- ROHM designs and manufactures its Products subject to strict quality control system. However, semiconductor products can fail or malfunction at a certain rate. Please be sure to implement, at your own responsibilities, adequate safety measures including but not limited to fail-safe design against the physical injury, damage to any property, which a failure or malfunction of our Products may cause. The following are examples of safety measures:
 - Installation of protection circuits or other protective devices to improve system safety
 - Installation of redundant circuits to reduce the impact of single or multiple circuit failure
- Our Products are designed and manufactured for use under standard conditions and not under any special or extraordinary environments or conditions, as exemplified below. Accordingly, ROHM shall not be in any way responsible or liable for any damages, expenses or losses arising from the use of any ROHM's Products under any special or extraordinary environments or conditions. If you intend to use our Products under any special or extraordinary environments or conditions (as exemplified below), your independent verification and confirmation of product performance, reliability, etc. prior to use, must be necessary:
 - Use of our Products in any types of liquid, including water, oils, chemicals, and organic solvents
 - Use of our Products outdoors or in places where the Products are exposed to direct sunlight or dust
 - Use of our Products in places where the Products are exposed to sea wind or corrosive gases, including Cl₂, H₂S, NH₃, SO₂, and NO₂
 - Use of our Products in places where the Products are exposed to static electricity or electromagnetic waves
 - Use of our Products in proximity to heat-producing components, plastic cords, or other flammable items
 - Sealing or coating our Products with resin or other coating materials
 - Use of our Products without cleaning residue of flux (even if you use no-clean type fluxes, cleaning residue of flux is recommended); or Washing our Products by using water or water-soluble cleaning agents for cleaning residue after soldering
 - Use of the Products in places subject to dew condensation
- The Products are not subject to radiation-proof design.
- Please verify and confirm characteristics of the final or mounted products in using the Products.
- In particular, if a transient load (a large amount of load applied in a short period of time, such as pulse. is applied, confirmation of performance characteristics after on-board mounting is strongly recommended. Avoid applying power exceeding normal rated power; exceeding the power rating under steady-state loading condition may negatively affect product performance and reliability.
- De-rate Power Dissipation (Pd) depending on Ambient temperature (Ta). When used in sealed area, confirm the actual ambient temperature.
- Confirm that operation temperature is within the specified range described in the product specification.
- ROHM shall not be in any way responsible or liable for failure induced under deviant condition from what is defined in this document.

Precaution for Mounting / Circuit board design

- When a highly active halogenous (chlorine, bromine, etc.) flux is used, the residue of flux may negatively affect product performance and reliability.
- In principle, the reflow soldering method must be used; if flow soldering method is preferred, please consult with the ROHM representative in advance.

For details, please refer to ROHM Mounting specification

Precautions Regarding Application Examples and External Circuits

1. If change is made to the constant of an external circuit, please allow a sufficient margin considering variations of the characteristics of the Products and external components, including transient characteristics, as well as static characteristics.
2. You agree that application notes, reference designs, and associated data and information contained in this document are presented only as guidance for Products use. Therefore, in case you use such information, you are solely responsible for it and you must exercise your own independent verification and judgment in the use of such information contained in this document. ROHM shall not be in any way responsible or liable for any damages, expenses or losses incurred by you or third parties arising from the use of such information.

Precaution for Electrostatic

This Product is electrostatic sensitive product, which may be damaged due to electrostatic discharge. Please take proper caution in your manufacturing process and storage so that voltage exceeding the Products maximum rating will not be applied to Products. Please take special care under dry condition (e.g. Grounding of human body / equipment / solder iron, isolation from charged objects, setting of ionizer, friction prevention and temperature / humidity control).

Precaution for Storage / Transportation

1. Product performance and soldered connections may deteriorate if the Products are stored in the places where:
 - [a] the Products are exposed to sea winds or corrosive gases, including Cl₂, H₂S, NH₃, SO₂, and NO₂
 - [b] the temperature or humidity exceeds those recommended by ROHM
 - [c] the Products are exposed to direct sunshine or condensation
 - [d] the Products are exposed to high Electrostatic
2. Even under ROHM recommended storage condition, solderability of products out of recommended storage time period may be degraded. It is strongly recommended to confirm solderability before using Products of which storage time is exceeding the recommended storage time period.
3. Store / transport cartons in the correct direction, which is indicated on a carton with a symbol. Otherwise bent leads may occur due to excessive stress applied when dropping of a carton.
4. Use Products within the specified time after opening a humidity barrier bag. Baking is required before using Products of which storage time is exceeding the recommended storage time period.

Precaution for Product Label

QR code printed on ROHM Products label is for ROHM's internal use only.

Precaution for Disposition

When disposing Products please dispose them properly using an authorized industry waste company.

Precaution for Foreign Exchange and Foreign Trade act

Since our Products might fall under controlled goods prescribed by the applicable foreign exchange and foreign trade act, please consult with ROHM representative in case of export.

Precaution Regarding Intellectual Property Rights

1. All information and data including but not limited to application example contained in this document is for reference only. ROHM does not warrant that foregoing information or data will not infringe any intellectual property rights or any other rights of any third party regarding such information or data. ROHM shall not be in any way responsible or liable for infringement of any intellectual property rights or other damages arising from use of such information or data.:
2. No license, expressly or implied, is granted hereby under any intellectual property rights or other rights of ROHM or any third parties with respect to the information contained in this document.

Other Precaution

1. This document may not be reprinted or reproduced, in whole or in part, without prior written consent of ROHM.
2. The Products may not be disassembled, converted, modified, reproduced or otherwise changed without prior written consent of ROHM.
3. In no event shall you use in any way whatsoever the Products and the related technical information contained in the Products or this document for any military purposes, including but not limited to, the development of mass-destruction weapons.
4. The proper names of companies or products described in this document are trademarks or registered trademarks of ROHM, its affiliated companies or third parties.

General Precaution

1. Before you use our Products, you are requested to carefully read this document and fully understand its contents. ROHM shall not be in any way responsible or liable for failure, malfunction or accident arising from the use of any ROHM's Products against warning, caution or note contained in this document.
2. All information contained in this document is current as of the issuing date and subject to change without any prior notice. Before purchasing or using ROHM's Products, please confirm the latest information with a ROHM sales representative.
3. The information contained in this document is provided on an "as is" basis and ROHM does not warrant that all information contained in this document is accurate and/or error-free. ROHM shall not be in any way responsible or liable for any damages, expenses or losses incurred by you or third parties resulting from inaccuracy or errors of or concerning such information.

Компания «Life Electronics» занимается поставками электронных компонентов импортного и отечественного производства от производителей и со складов крупных дистрибьюторов Европы, Америки и Азии.

С конца 2013 года компания активно расширяет линейку поставок компонентов по направлению коаксиальный кабель, кварцевые генераторы и конденсаторы (керамические, пленочные, электролитические), за счёт заключения дистрибьюторских договоров

Мы предлагаем:

- Конкурентоспособные цены и скидки постоянным клиентам.
- Специальные условия для постоянных клиентов.
- Подбор аналогов.
- Поставку компонентов в любых объемах, удовлетворяющих вашим потребностям.
- Приемлемые сроки поставки, возможна ускоренная поставка.
- Доставку товара в любую точку России и стран СНГ.
- Комплексную поставку.
- Работу по проектам и поставку образцов.
- Формирование склада под заказчика.
- Сертификаты соответствия на поставляемую продукцию (по желанию клиента).
- Тестирование поставляемой продукции.
- Поставку компонентов, требующих военную и космическую приемку.
- Входной контроль качества.
- Наличие сертификата ISO.

В составе нашей компании организован Конструкторский отдел, призванный помогать разработчикам, и инженерам.

Конструкторский отдел помогает осуществить:

- Регистрацию проекта у производителя компонентов.
- Техническую поддержку проекта.
- Защиту от снятия компонента с производства.
- Оценку стоимости проекта по компонентам.
- Изготовление тестовой платы монтаж и пусконаладочные работы.



Тел: +7 (812) 336 43 04 (многоканальный)

Email: org@lifeelectronics.ru