

Analog Devices Welcomes Hittite Microwave Corporation

NO CONTENT ON THE ATTACHED DOCUMENT HAS CHANGED



THIS PAGE INTENTIONALLY LEFT BLANK



Typical Applications

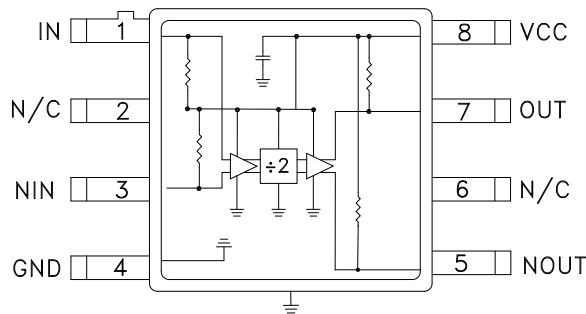
Prescaler for 10 MHz to 13 GHz PLL Applications:

- Point-to-Point / Multi-Point Radios
- VSAT Radios
- Fiber Optic
- Test Equipment
- Space & Military

Features

- Ultra Low SSB Phase Noise: -148 dBc/Hz
- Wide Bandwidth
- Output Power: 3 dBm
- Single DC Supply: +5V
- 8 Lead Hermetic SMT Package

Functional Diagram



General Description

The HMC361G8 is a low noise N=2 static divider in an 8 lead glass/metal surface mount (hermetic) package. This device operates from 10 MHz (with a square wave input) to 13 GHz input frequency with a single +5V DC supply. The low additive SSB phase noise of -148 dBc/Hz at 100 kHz offset helps the user maintain good system noise performance.

Electrical Specifications, $T_A = +25^\circ\text{C}$, 50 Ohm System, $V_{CC} = 5V$

Parameter	Conditions	Min.	Typ.	Max.	Units
Maximum Input Frequency	Sine Wave or Square Wave input	13			GHz
Minimum Input Frequency	Sine Wave or Square Wave Input. {1}			0.20	GHz
Minimum Input Frequency	Square Wave {1} {2}			0.01	GHz
Input Power Range	$F_{in} = 0.01$ to 0.20 GHz (square wave)	-10		10	dBm
	$F_{in} = 0.20$ to 0.5 GHz (sine)	0		10	dBm
	$F_{in} = 0.5$ to 1 GHz (sine)	-10		10	dBm
	$F_{in} = 1$ to 8 GHz (sine)	-15		10	dBm
	$F_{in} = 8$ to 11 GHz (sine)	-15		2	
Output Power	$F_{in} = 0.20$ GHz		4.5		dBm
	$F_{in} = 6$ GHz		3.6		dBm
	$F_{in} = 9$ GHz		1.6		dBm
	$F_{in} = 13$ GHz		-2.5		dBm
Reverse Leakage	Both RF Outputs Terminated		40		dB
SSB Phase Noise (100 kHz offset)	$P_{in} = 0$ dBm, $F_{in} = 6$ GHz (sine)		-148		dBc/Hz
Output Transition Time	$P_{in} = 0$ dBm, $F_{out} = 882$ MHz		100		ps
Supply Current (I_{CC}) ($V_{CC} = +5V$)			84		mA

1. Divider will operate down to 0.01 GHz with a square-wave input signal.

2. Square wave input waveform is recommended for operation below 200 MHz. Recommended transition times are < 100 ps.

For price, delivery and to place orders: Hittite Microwave Corporation, 2 Elizabeth Drive, Chelmsford, MA 01824

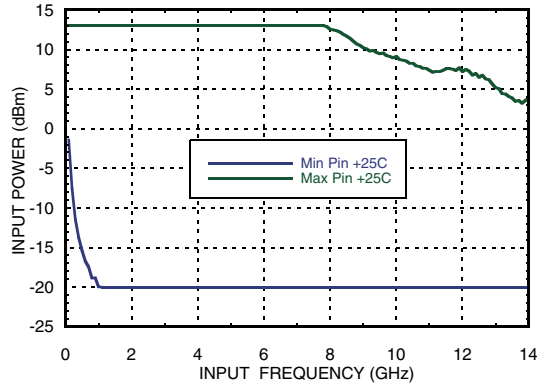
Phone: 978-250-3343 Fax: 978-250-3373 Order On-line at www.hittite.com

Application Support: Phone: 978-250-3343 or apps@hittite.com

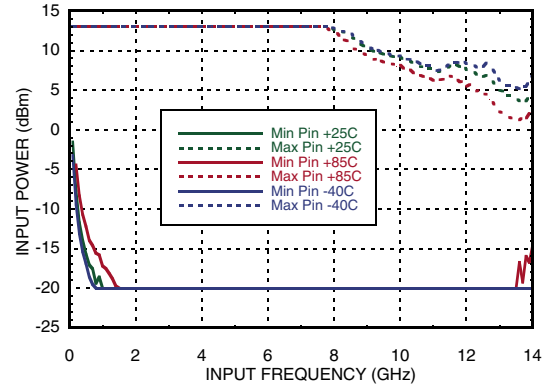


**SMT GaAs HBT MMIC
DIVIDE-BY-2, 0.01 - 13 GHz**

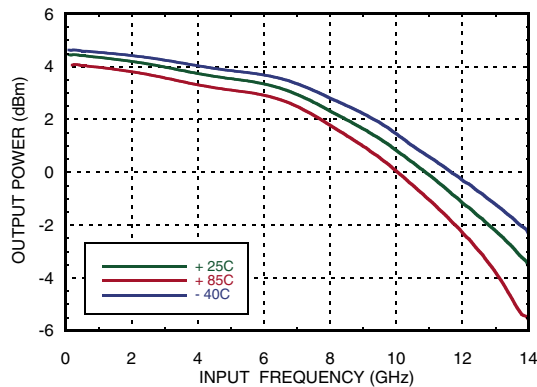
Input Sensitivity Window, $T = 25\text{ }^{\circ}\text{C}$



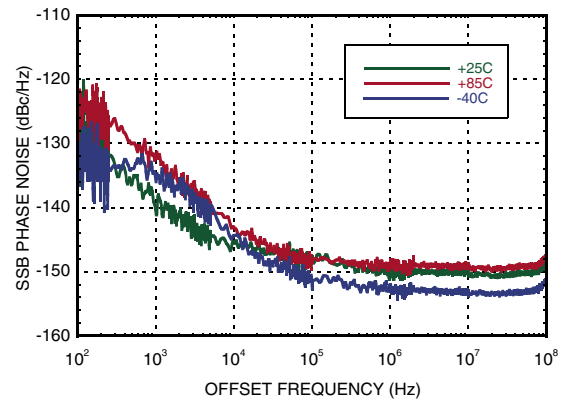
Input Sensitivity Window vs. Temperature



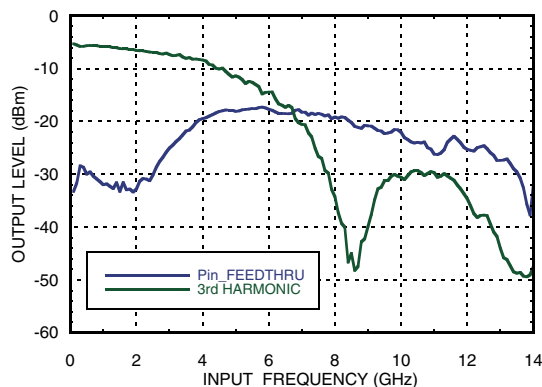
Output Power vs. Temperature



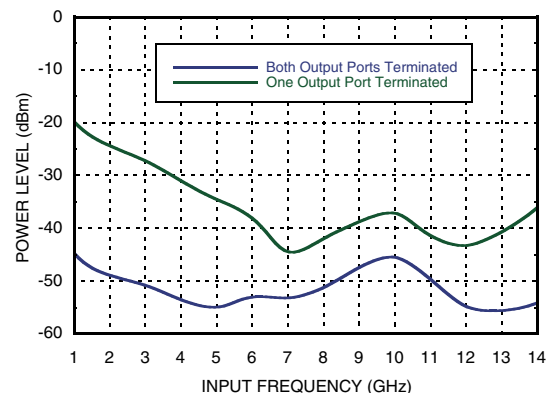
SSB Phase Noise Performance vs. Temperature, $P_{in} = 0\text{ dBm}$, $F_{in} = 6\text{ GHz}$



Output Harmonic Content, $P_{in} = 0\text{ dBm}$, $T = 25\text{ }^{\circ}\text{C}$



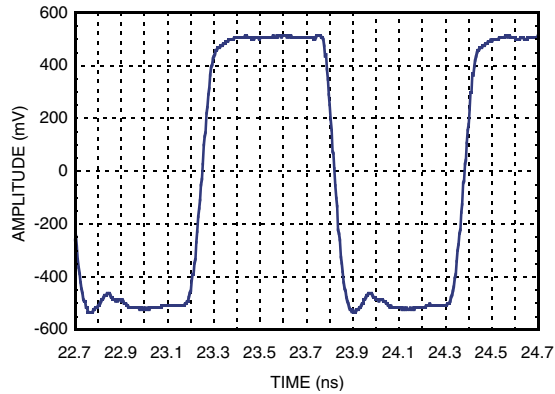
Reverse Leakage, $P_{in} = 0\text{ dBm}$, $T = 25\text{ }^{\circ}\text{C}$





SMT GaAs HBT MMIC DIVIDE-BY-2, 0.01 - 13 GHz

Output Voltage Waveform,
Pin = 0 dBm, Fout = 882 MHz, T = 25 °C



Absolute Maximum Ratings

RF Input (Vcc = +5V)	+13 dBm
Vcc	+5.5V
Storage Temperature	-65 to +150 °C
ESD Sensitivity (HBM)	100V

Reliability Information

Junction Temperature to Maintain 1 Million Hour MTTF	135 °C
Nominal Junction Temperature (T = 85 °C and Pin = + 10 dBm)	126 °C
Thermal Resistance (Rth) (Junction to GND Paddle, 5V Supply)	96.9 °C/W
Operating Temperature	-40 to +85 °C

Typical Supply Current vs. Vcc, T = 25 °C

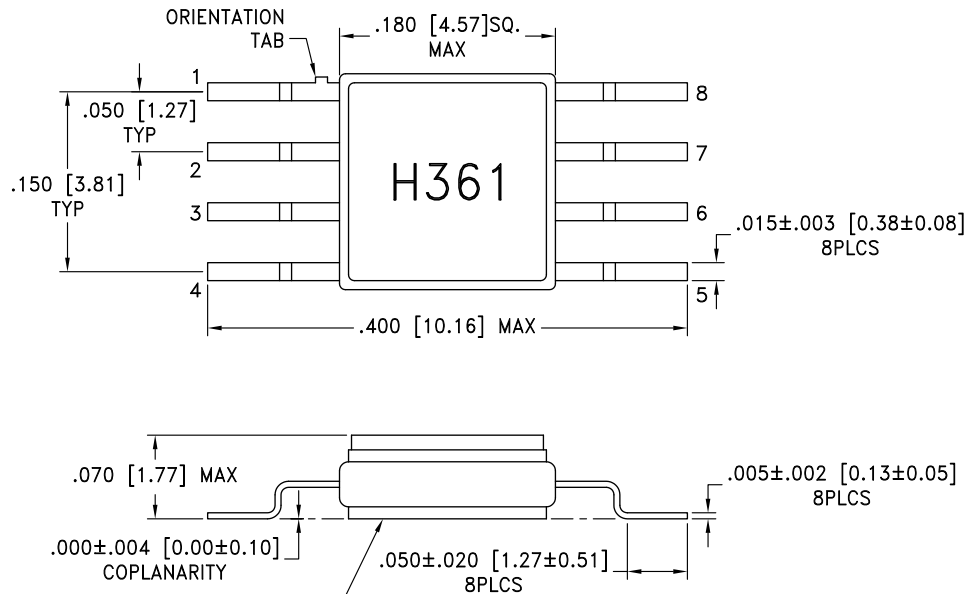
Vcc (V)	Icc (mA)
4.75	76
5.0	84
5.25	90

Note: Divider will operate over full voltage range shown above



**ELECTROSTATIC SENSITIVE DEVICE
OBSERVE HANDLING PRECAUTIONS**

Outline Drawing

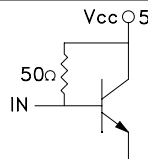
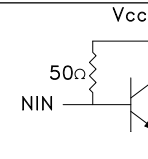

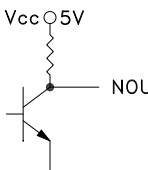
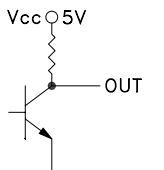
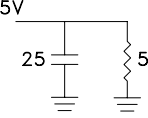


NOTES:

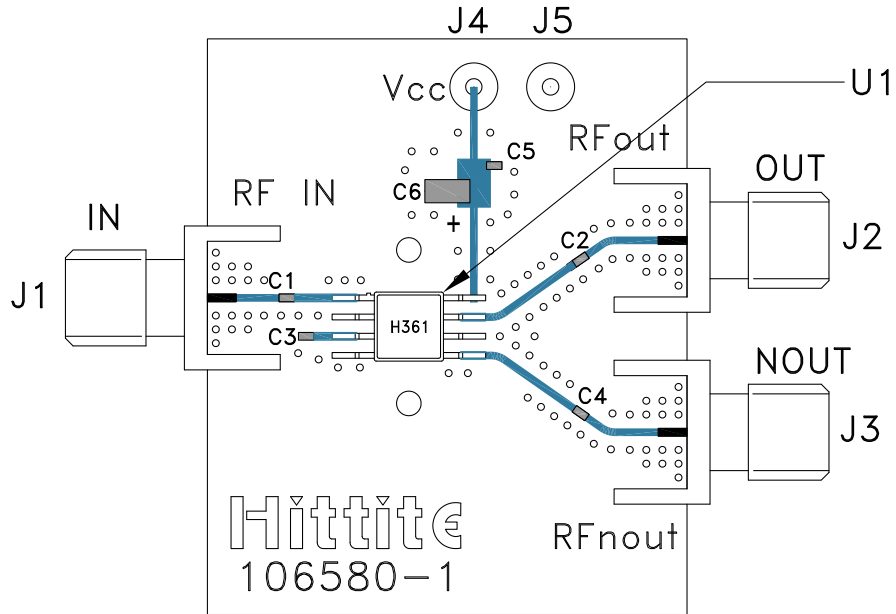
1. PACKAGE MATERIAL: ALUMINA LOADED BOROSILICATE GLASS.
2. LEAD, BASE, COVER MATERIAL: KOVAR™ (#7052 CORNING).
3. PLATING: ELECTROLYTIC GOLD 50 MICROINCHES MIN., OVER ELECTROLYTIC NICKEL 50 MICROINCHES MIN.
4. DIMENSIONS ARE IN INCHES [MILLIMETERS].
5. TOLERANCES: ±.005 [0.13] UNLESS OTHERWISE SPECIFIED.
6. ALL GROUND LEADS AND GROUND PADDLE MUST BE SOLDERED TO PCB RF GROUND.



Pin Description

Pin Number	Function	Description	Interface Schematic
1	IN	RF Input, must be DC blocked.	
2, 6	N/C	These pins are not connected internally; however, all data shown herein was measured with the pins connected to RF/DC ground.	
3	NIN	RF Input 180° out of phase with pin 1 for differential operation. Must be DC blocked. AC ground for single ended operation.	
4	GND	Pin and exposed paddle must be connected to RF/DC ground.	
5	NOUT	Divided output 180° out of phase with pin 7, must be DC blocked.	
7	OUT	Divided Output, must be DC blocked.	
8	Vcc	Supply voltage 5V ± 0.25V.	

Evaluation PCB



List of Materials for Evaluation PCB EVAL01-HMC361G8 [1]

Item	Description
J1 - J3	Connector, SMA, Female
J4, J5	DC Pins
C1 - C4	ATC530L, Broadband Capacitor, 0402 Pkg.
C5	1000 pF Capacitor, 0603 Pkg.
C6	10 uF Tantalum Capacitor, 1206 Pkg.
U1	HMC361G8
PCB [2]	106580 Evaluation PCB

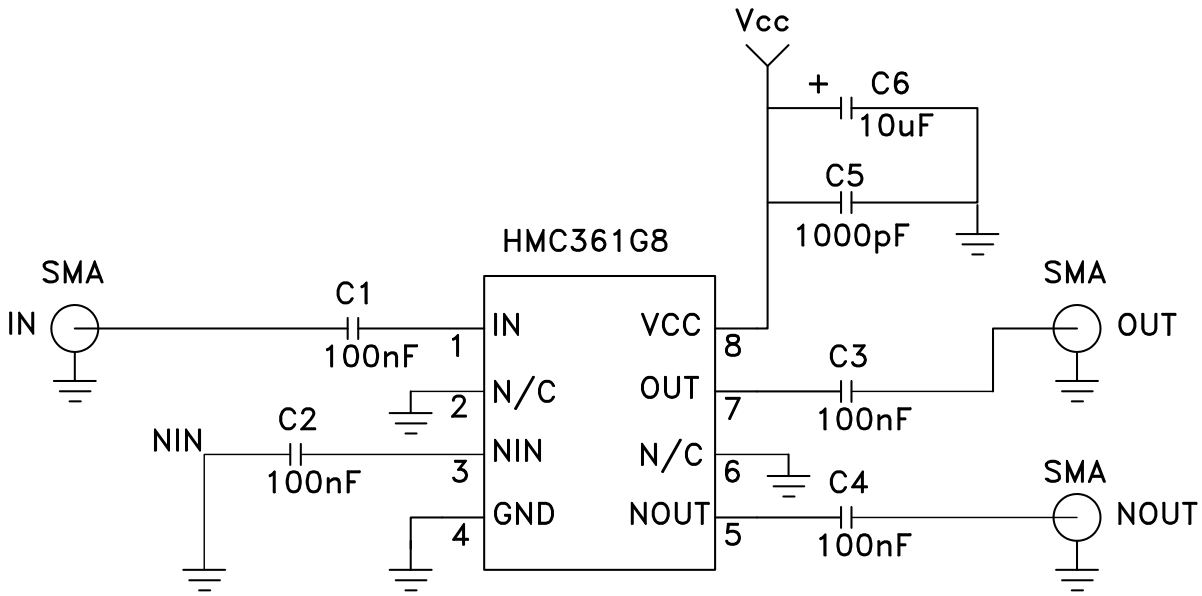
[1] Reference this number when ordering complete evaluation PCB

[2] Circuit Board Material: Rogers 4350

The circuit board used in the application should use RF circuit design techniques. Signal lines should have 50 Ohm impedance while the package ground leads and backside ground slug should be connected directly to the ground plane similar to that shown. A sufficient number of via holes should be used to connect the top and bottom ground planes. The evaluation circuit board shown is available from Hittite upon request. This evaluation board is designed for single ended input testing. J2 and J3 provide differential output signals.



Application Circuit



Capacitors C1, C2, C3, and C4 are broadband multilayer capacitors, American Technical Ceramics part number ATC530L. The 100 nF capacitance value is per ATC datasheet.

Компания «Life Electronics» занимается поставками электронных компонентов импортного и отечественного производства от производителей и со складов крупных дистрибьюторов Европы, Америки и Азии.

С конца 2013 года компания активно расширяет линейку поставок компонентов по направлению коаксиальный кабель, кварцевые генераторы и конденсаторы (керамические, пленочные, электролитические), за счёт заключения дистрибьюторских договоров

Мы предлагаем:

- Конкурентоспособные цены и скидки постоянным клиентам.
- Специальные условия для постоянных клиентов.
- Подбор аналогов.
- Поставку компонентов в любых объемах, удовлетворяющих вашим потребностям.
- Приемлемые сроки поставки, возможна ускоренная поставка.
- Доставку товара в любую точку России и стран СНГ.
- Комплексную поставку.
- Работу по проектам и поставку образцов.
- Формирование склада под заказчика.
- Сертификаты соответствия на поставляемую продукцию (по желанию клиента).
- Тестирование поставляемой продукции.
- Поставку компонентов, требующих военную и космическую приемку.
- Входной контроль качества.
- Наличие сертификата ISO.

В составе нашей компании организован Конструкторский отдел, призванный помогать разработчикам, и инженерам.

Конструкторский отдел помогает осуществить:

- Регистрацию проекта у производителя компонентов.
- Техническую поддержку проекта.
- Защиту от снятия компонента с производства.
- Оценку стоимости проекта по компонентам.
- Изготовление тестовой платы монтаж и пусконаладочные работы.



Тел: +7 (812) 336 43 04 (многоканальный)

Email: org@lifeelectronics.ru