

# Si53320-28 Data Sheet

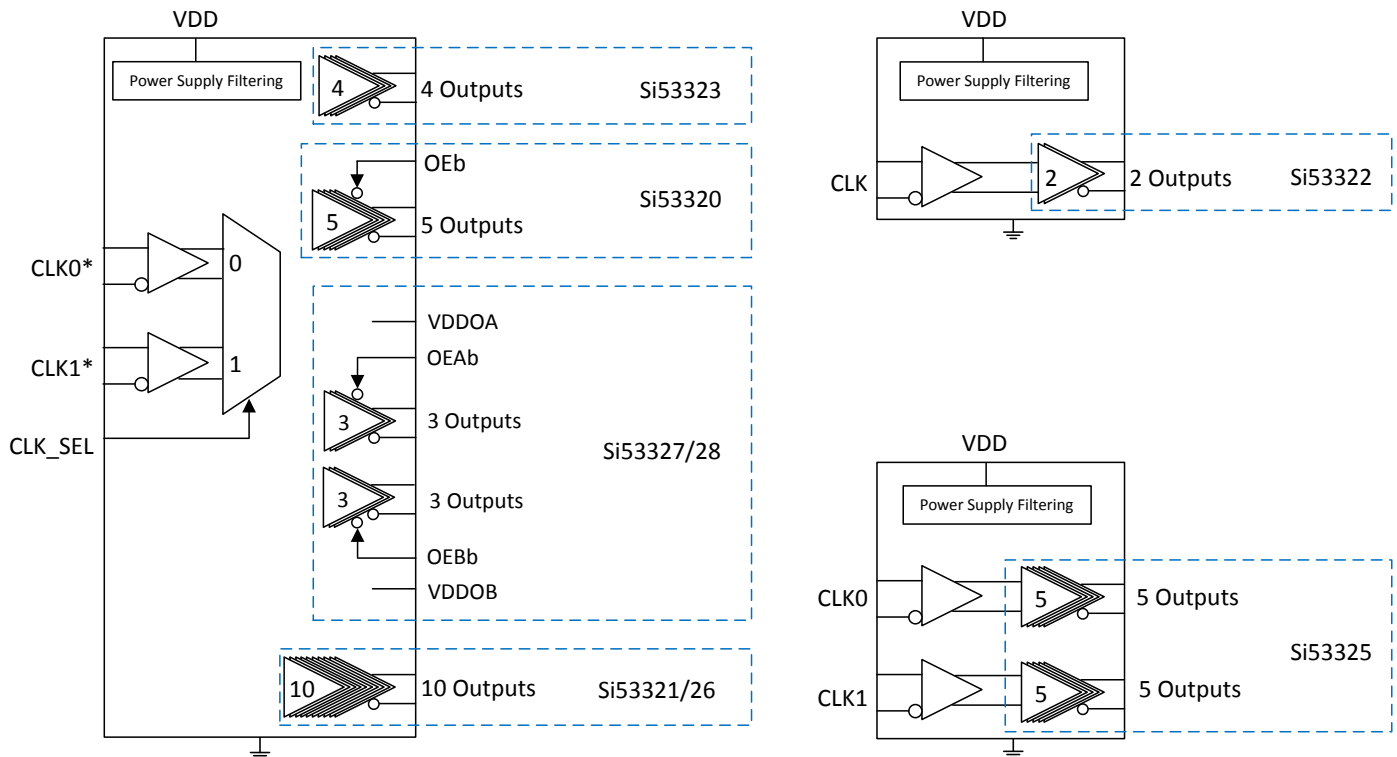
## Low-Jitter LVPECL Fanout Clock Buffers with up to 10 LVPECL Outputs from Any-Format Input and Wide Frequency Range from DC up to 1250 MHz

The Si53320–28 family of LVPECL fanout buffers is ideal for clock/data distribution and redundant clocking applications. These devices feature typical ultra-low jitter characteristics of 50 fs and operate over a wide frequency range from dc to 725/1250 MHz. Built-in LDOs deliver high PSRR performance and reduce the need for external components, simplifying low-jitter clock distribution in noisy environments.

The Si53320–28 family is available in multiple configurations, with some versions offering a selectable input clock using a 2:1 input mux. Other features include independent output enable and built-in format translation. These buffers can be paired with the Si534x clocks and Si5xx oscillators to deliver end-to-end clock tree performance.

### KEY FEATURES

- Ultra-low additive jitter: 50 fs rms
- Built-in LDOs for high PSRR performance
- Up to 10 LVPECL Outputs
- Any-format Inputs (LVPECL, Low-power LVPECL, LVDS, CML, HCSL, LVCMOS)
- Wide frequency range: dc to 1250 MHz
- Output Enable option
- Multiple configuration options
  - Dual Bank option
  - 2:1 Input Mux operation
- RoHS compliant, Pb-free
- Temperature range: –40 to +85 °C



\*Si53326/28 require Single-ended Inputs

## 1. Ordering Guide

Table 1.1. Si5332x Ordering Guide

Part Number	Input	LVPECL Output	Output Enable	Frequency Range	Package
Si53320-B-GT	2:1 selectable MUX Any-format	1 bank / 5 Outputs	Single	dc to 725 MHz	20-TSSOP
Si53321-B-GM	2:1 selectable MUX Any-format	1 bank / 10 Outputs	—	dc to 1250 MHz	32-QFN 5 x 5 mm
Si53321-B-GQ	2:1 selectable MUX Any-format	1 bank / 10 Outputs	—	dc to 1250 MHz	32-eLQFP 7 x 7 mm
Si53322-B-GM	1 bank / 1 Input Any-format	1 bank / 2 Outputs	—	dc to 1250 MHz	16-QFN 3 x 3 mm
Si53323-B-GM	2:1 selectable MUX Any-format	1 bank / 4 Outputs	—	dc to 1250 MHz	16-QFN 3 x 3 mm
Si53325-B-GM	2 banks / 2 Inputs Any-format	2 banks / 5 Outputs	—	dc to 1250 MHz	32-QFN 5 x 5 mm
Si53325-B-GQ	2 banks / 2 Inputs Any-format	2 banks / 5 Outputs	—	dc to 1250 MHz	32-eLQFP 7 x 7 mm
Si53326-B-GM	2:1 selectable MUX LVCMOS	1 bank / 10 Outputs	—	dc to 200 MHz	32-QFN 5 x 5 mm
Si53327-B-GM	2:1 selectable MUX Any-format	2 banks / 3 Outputs	1 per bank	dc to 1250 MHz	24-QFN 4 x 4 mm
Si53328-B-GM	2:1 selectable MUX LVCMOS	2 banks / 3 Outputs	1 per bank	dc to 200 MHz	24-QFN 4 x 4 mm

## 2. Functional Description

The Si53320-28 are a family of low-jitter, low-skew, fixed-format (LVPECL) buffers. All devices except the Si53326 and Si53328 have a universal input that accepts most common differential or LVCMOS input signals. The Si53326 and Si53328 accept only single-ended LVCMOS inputs. These devices are available in multiple configurations customized for the end application (refer to [1. Ordering Guide](#) for more details on configurations).

### 2.1 Universal, Any-Format Input Termination (Si53320/21/22/23/25/27)

The universal input stage enables simple interfacing to a wide variety of clock formats, including LVPECL, low-power LVPECL, LVCMOS, LVDS, HCSL, and CML. The tables below summarize the various ac- and dc-coupling options supported by the device. For the best high-speed performance, the use of differential formats is recommended. For both single-ended and differential input clocks, the fastest possible slew rate is recommended since low slew rates can increase the noise floor and degrade jitter performance. Though not required, a minimum slew rate of 0.75 V/ns is recommended for differential formats and 1.0 V/ns for single-ended formats. See [“AN766: Understanding and Optimizing Clock Buffer’s Additive Jitter Performance”](#) for more information.

**Table 2.1. Clock Input Options**

Clock Format	1.8 V	2.5/3.3 V
<b>AC-Coupled</b>		
LVPECL/Low-power LVPECL	N/A	Yes
LVCMOS	No	Yes
LVDS	Yes	Yes
HCSL	No	Yes (3.3 V)
CML	Yes	Yes
<b>DC-Coupled</b>		
LVPECL/Low-power LVPECL	N/A	Yes
LVCMOS	No	Yes
LVDS	No	Yes
HCSL	No	Yes (3.3 V)
CML	No	No

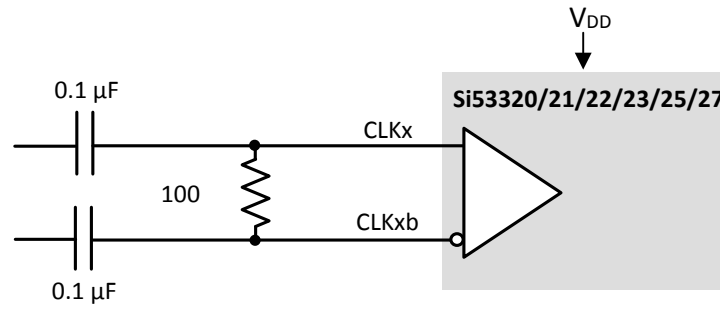


Figure 2.1. Differential (HCSL, LVPECL, Low-Power LVPECL, LVDS, CML) AC-Coupled Input Termination

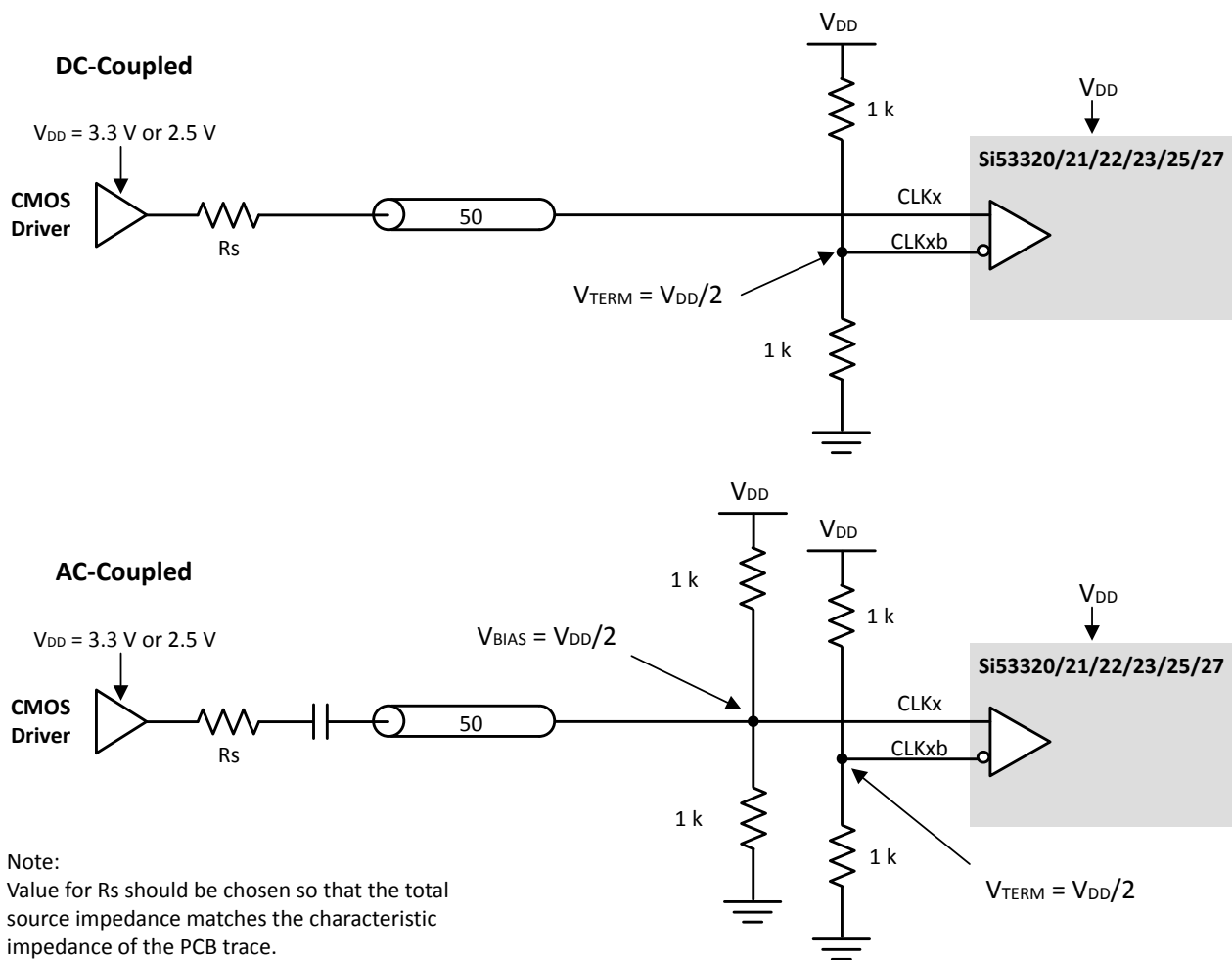
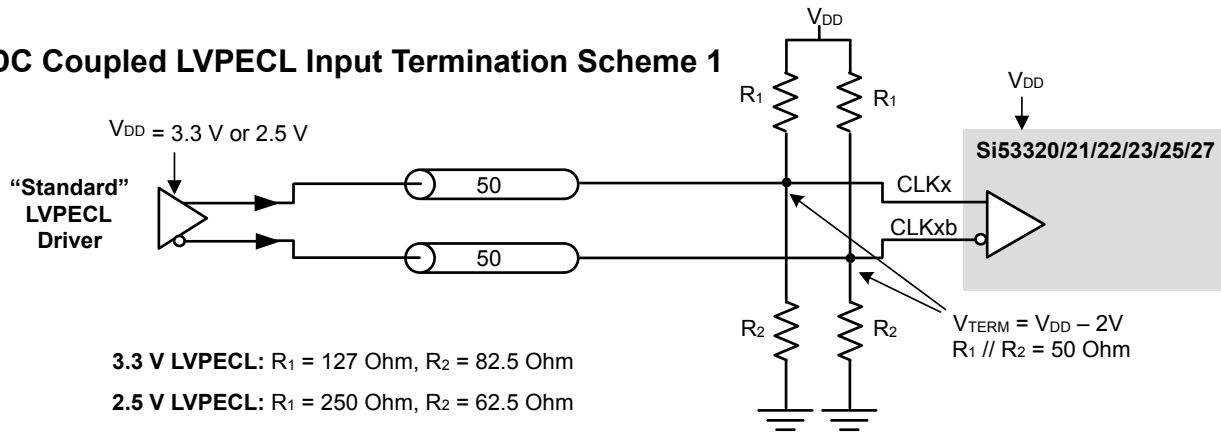
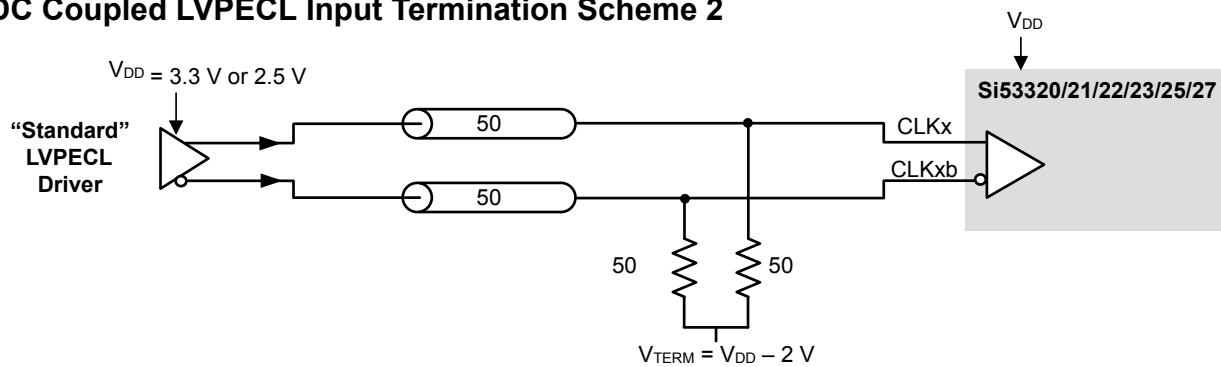


Figure 2.2. Single-Ended (LVCMOS) Input Termination

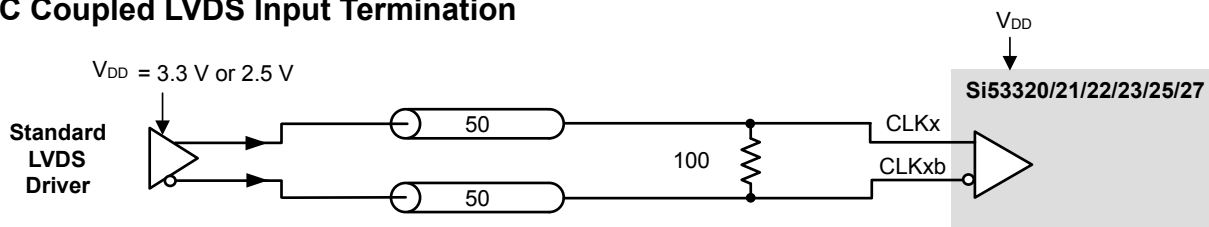
### DC Coupled LVPECL Input Termination Scheme 1



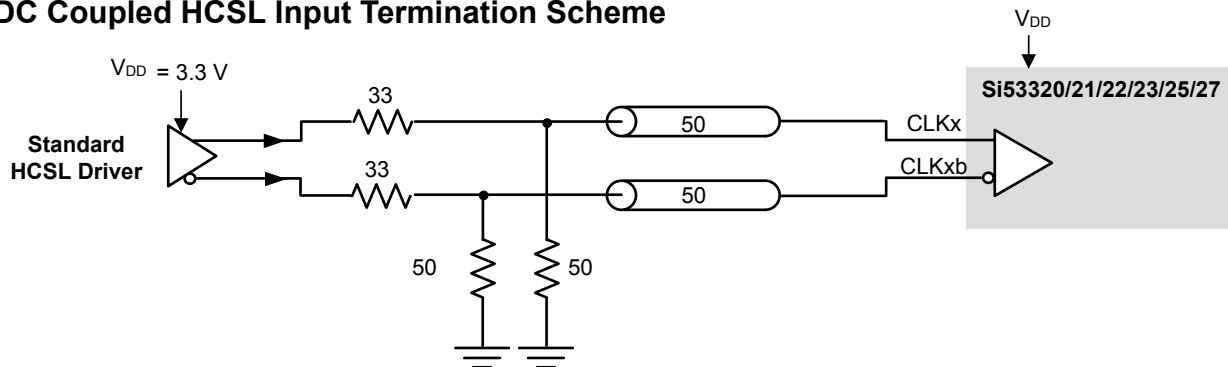
### DC Coupled LVPECL Input Termination Scheme 2



### DC Coupled LVDS Input Termination



### DC Coupled HCSL Input Termination Scheme



Note: 33 Ohm series termination is optional depending on the location of the receiver.

Figure 2.3. Differential DC-Coupled Input Terminations (Si53320/21/22/23/25/27)

## 2.2 LVCMOS Input Termination (Si53326/28 Only)

The table below summarizes the various ac- and dc-coupling options supported by the LVCMOS device, and the figure shows the recommended input clock termination.

**Note:** 1.8 V LVCMOS inputs are not supported for Si53326/28.

**Table 2.2. LVCMOS Input Clock Options**

	LVCMOS	
	AC-Coupled	DC-Coupled
1.8 V	No	No
2.5/3.3 V	Yes	Yes



**Note:**  
Value for  $R_s$  should be chosen so that the total source impedance matches the characteristic impedance of the PCB trace.

**Figure 2.4. Recommended Input Clock Termination (Si53326/28)**

## 2.3 Input Bias Resistors

Internal bias resistors ensure a differential output low condition in the event that the clock inputs are not connected. The non-inverting input is biased with a 18.75 k $\Omega$  pull-down to GND and a 75 k $\Omega$  pull-up to V<sub>DD</sub>. The inverting input is biased with a 75 k $\Omega$  pull-up to V<sub>DD</sub>.



**Figure 2.5. Input Bias Resistors**

**Note:** To minimize the possibility of system noise coupling into the Si5332x differential inputs and adversely affecting the buffered output, Silicon Labs recommends 1 PPS clocks and disabled/gapped clocks be dc-coupled and driven “stop-low”.

## 2.4 Input Mux

The Si53320/21/23/26/27/28 provide two clock inputs for applications that need to select between one of two clock sources. The CLK\_SEL pin selects the active clock input. The following table summarizes the input and output clock based on the input mux and output enable pin settings.

**Table 2.3. Input Mux Logic**

CLK_SEL	CLK0	CLK1	Q <sup>1</sup>	Q <sub>b</sub>
L	L	X	L	H
L	H	X	H	L
H	X	L	L	H
H	X	H	H	L

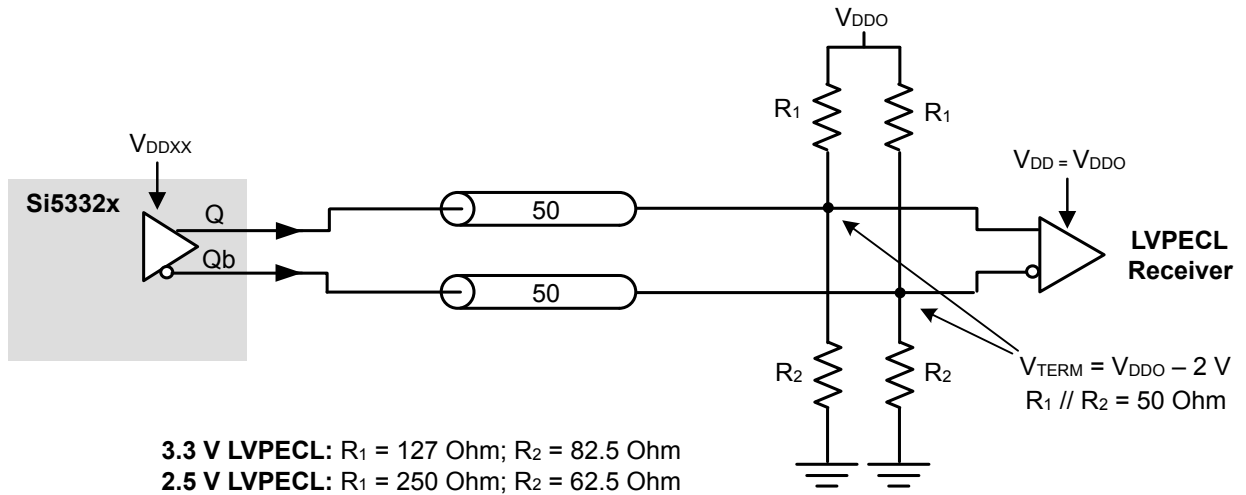
**Note:**

1. On the next negative transition of CLK0 or CLK1.

## 2.5 Output Clock Termination Options

The recommended output clock termination options for dc and ac are shown below. Unused outputs should be left unconnected.

### DC Coupled LVPECL Output Termination Scheme 1



### DC Coupled LVPECL Output Termination Scheme 2



Note:

For Si53320/21/22/23/25/26,  $V_{\text{DDXX}} = V_{\text{DD}} = 3.3 \text{ V}, 2.5 \text{ V}$

For Si53327/28,  $V_{\text{DDXX}} = V_{\text{DDOA}}$  or  $V_{\text{DDOB}} = 3.3 \text{ V}, 2.5 \text{ V}$

Figure 2.6. LVPECL DC Output Terminations



## AC Coupled LVPECL Output Termination Scheme 1



**3.3 V LVPECL:**  $R_1 = 82.5 \text{ Ohm}$ ;  $R_2 = 127 \text{ Ohm}$ ;  $R_b = 120 \text{ Ohm}$

**2.5 V LVPECL:**  $R_1 = 62.5 \text{ Ohm}$ ;  $R_2 = 250 \text{ Ohm}$ ;  $R_b = 90 \text{ Ohm}$

## AC Coupled LVPECL Output Termination Scheme 2



**3.3 V LVPECL:**  $R_b = 120 \text{ Ohm}$

**2.5 V LVPECL:**  $R_b = 90 \text{ Ohm}$

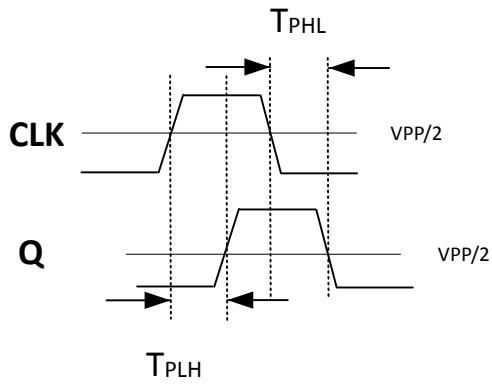
Note:

For Si53320/21/22/23/25/26,  $V_{DDXX} = V_{DD} = 3.3 \text{ V}, 2.5 \text{ V}$

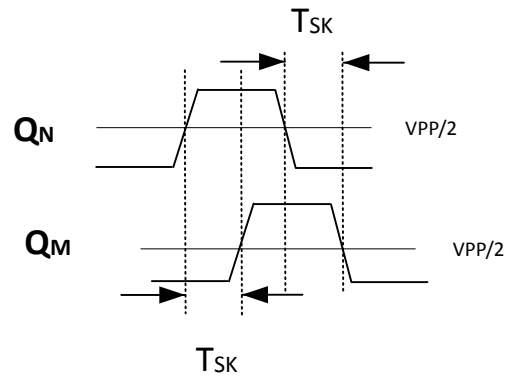
For Si53327/28,  $V_{DDXX} = V_{DDOA}$  or  $V_{DDOB} = 3.3 \text{ V}, 2.5 \text{ V}$

Figure 2.7. LVPECL AC Output Terminations

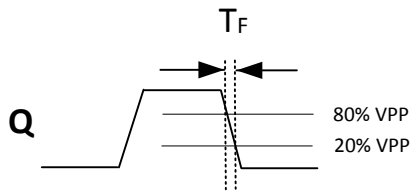
2.6 AC Timing Waveforms



Propagation Delay



Output-Output Skew



Rise/Fall Time

Figure 2.8. AC Timing Waveforms

## 2.7 Typical Phase Noise Performance: Differential Input Clock

Each of the phase noise plots superimposes Source Jitter, Total SE Jitter, and Total Diff Jitter on the same diagram.

- **Source Jitter**—Reference clock phase noise (measured Single-ended to PNA).
- **Total Jitter (SE)**—Combined source and clock buffer phase noise measured as a single-ended output to the phase noise analyzer and integrated from 12 kHz to 20 MHz.
- **Total Jitter (Diff)**—Combined source and clock buffer phase noise measured as a differential output to the phase noise analyzer and integrated from 12 kHz to 20 MHz. The differential measurement as shown in each figure is made using a balun. For more information, see 3. Electrical Specifications.

**Note:** To calculate the total RMS phase jitter when adding a buffer to your clock tree, use the root-sum-square (RSS).

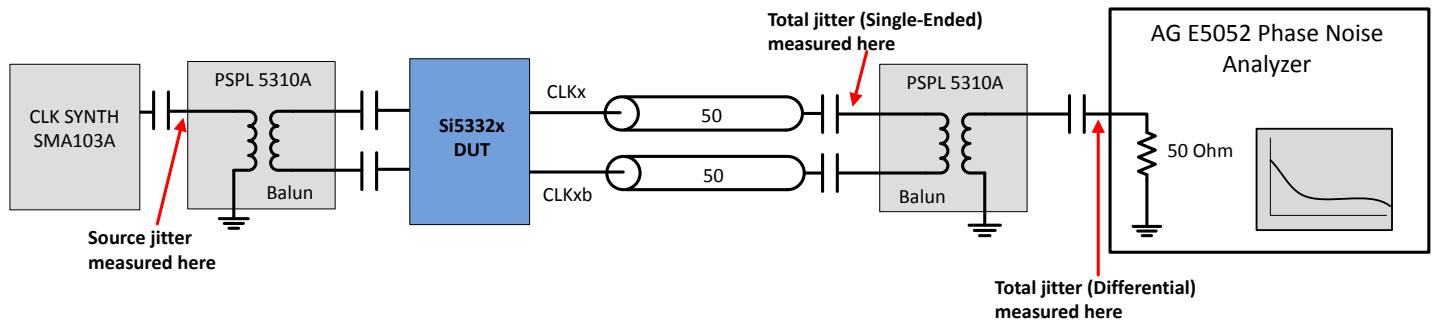
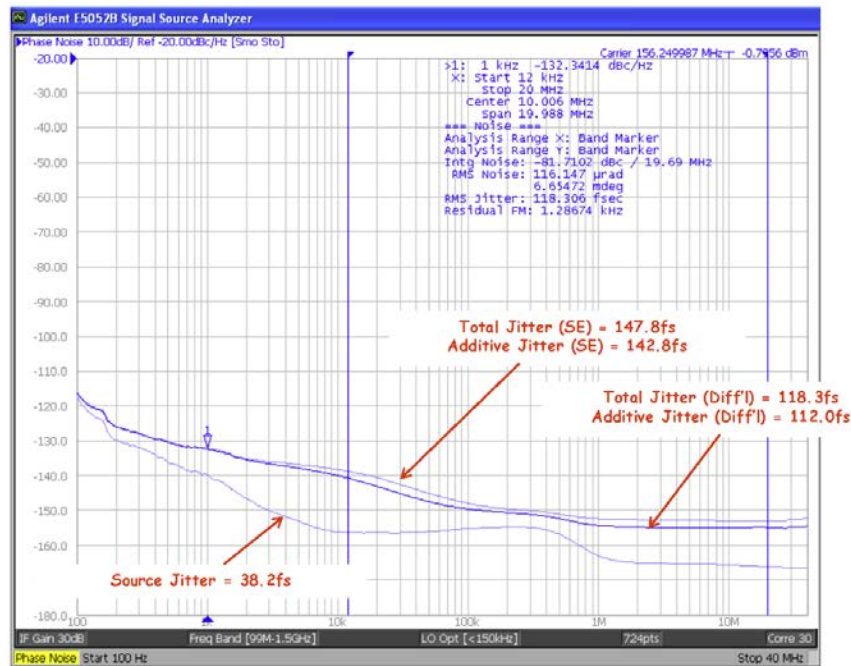


Figure 2.9. Differential Measurement Method Using a Balun

The total jitter is a measure of the source plus the buffer's additive phase jitter. The additive jitter (rms) of the buffer can then be calculated (via root-sum-square addition).



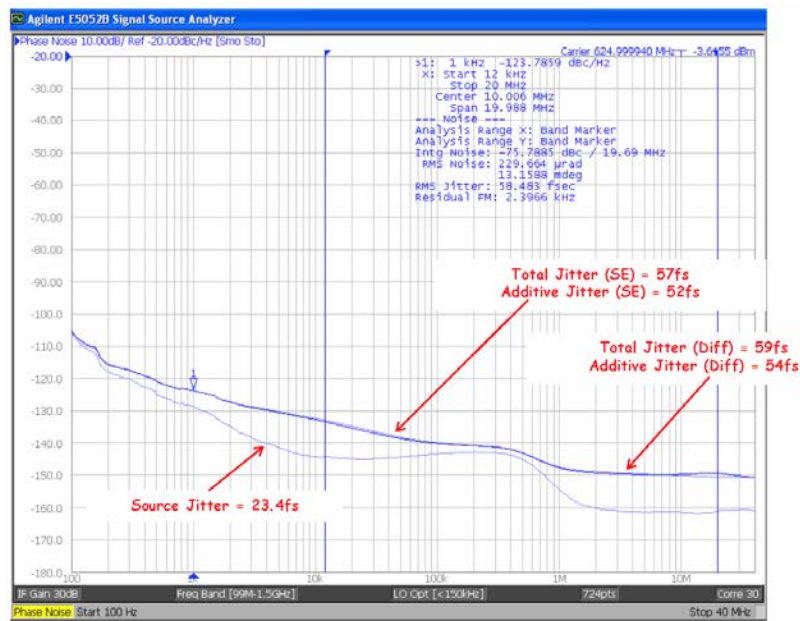
Frequency (MHz)	Differential Input Slew Rate (V/ns)	Source Jitter (fs)	Total Jitter (SE) (fs)	Additive Jitter (SE) (fs)	Total Jitter (Differential) (fs)	Additive Jitter (Differential) (fs)
156.25	1.0	38.2	147.8	142.8	118.3	112.0

Figure 2.10. Total Jitter Differential Input (156.25 MHz)



Frequency (MHz)	Differential Input Slew Rate (V/ns)	Source Jitter (fs)	Total Jitter (SE) (fs)	Additive Jitter (SE) (fs)	Total Jitter (Differential) (fs)	Additive Jitter (Differential) (fs)
312.5	1.0	33.10	94.39	88.39	83.80	76.99

Figure 2.11. Total Jitter Differential Input (312.5 MHz)



Frequency (MHz)	Differential Input Slew Rate (V/ns)	Source Jitter (fs)	Total Jitter (SE) (fs)	Additive Jitter (SE) (fs)	Total Jitter (Differential) (fs)	Additive Jitter (Differential) (fs)
625	1.0	23	57	52	59	54

Figure 2.12. Total Jitter Differential Input (625 MHz)

## 2.8 Typical Phase Noise Performance: Single-Ended Input Clock

For single-ended input phase noise measurements, the input was connected directly without the use of a balun.

The following figure shows three phase noise plots superimposed on the same diagram.



Frequency (MHz)	Single-Ended Input Slew Rate (V/ns)	Source Jitter (fs)	Total Jitter (SE) (fs)	Additive Jitter (SE) (fs)	Total Jitter (Differential) (fs)	Additive Jitter (Differential) (fs)
156.25	1.0	40.74	182.12	177.51	125.22	118.41

Figure 2.13. Total Jitter Single-Ended Input (156.25 MHz)

## 2.9 Input Mux Noise Isolation

The input clock mux is designed to minimize crosstalk between the CLK0 and CLK1. This improves phase jitter performance when clocks are present at both the CLK0 and CLK1 inputs. The following figure shows a measurement of the input mux's noise isolation.

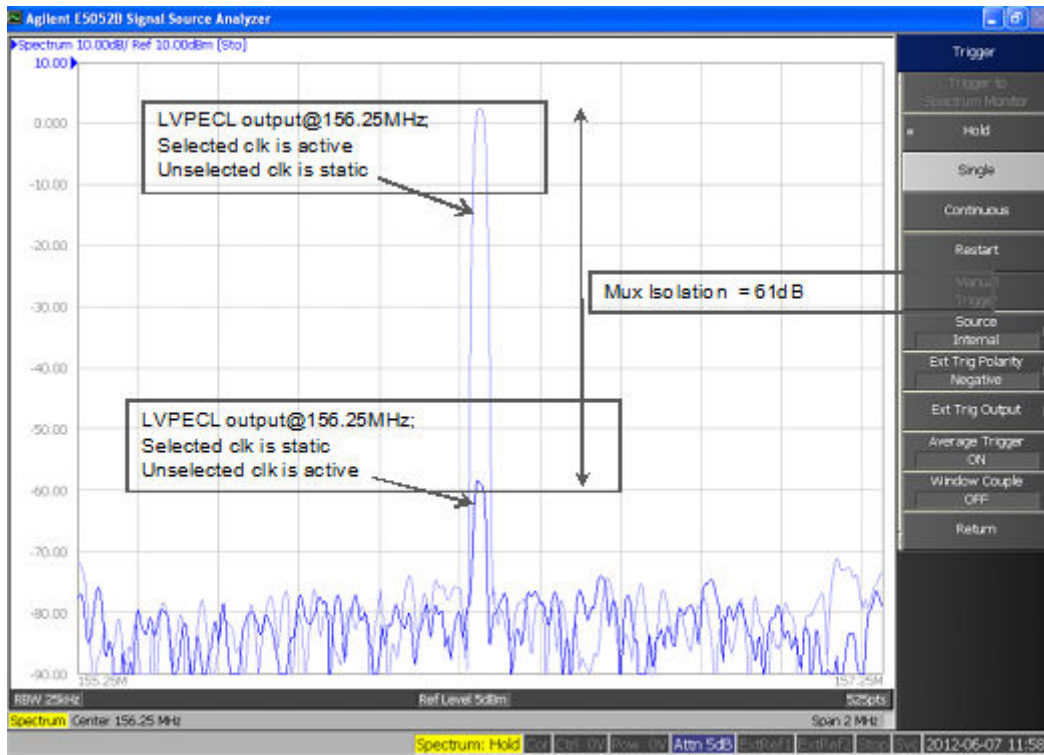


Figure 2.14. Input Mux Noise Isolation (Differential Input Clock, 44-QFN Package)

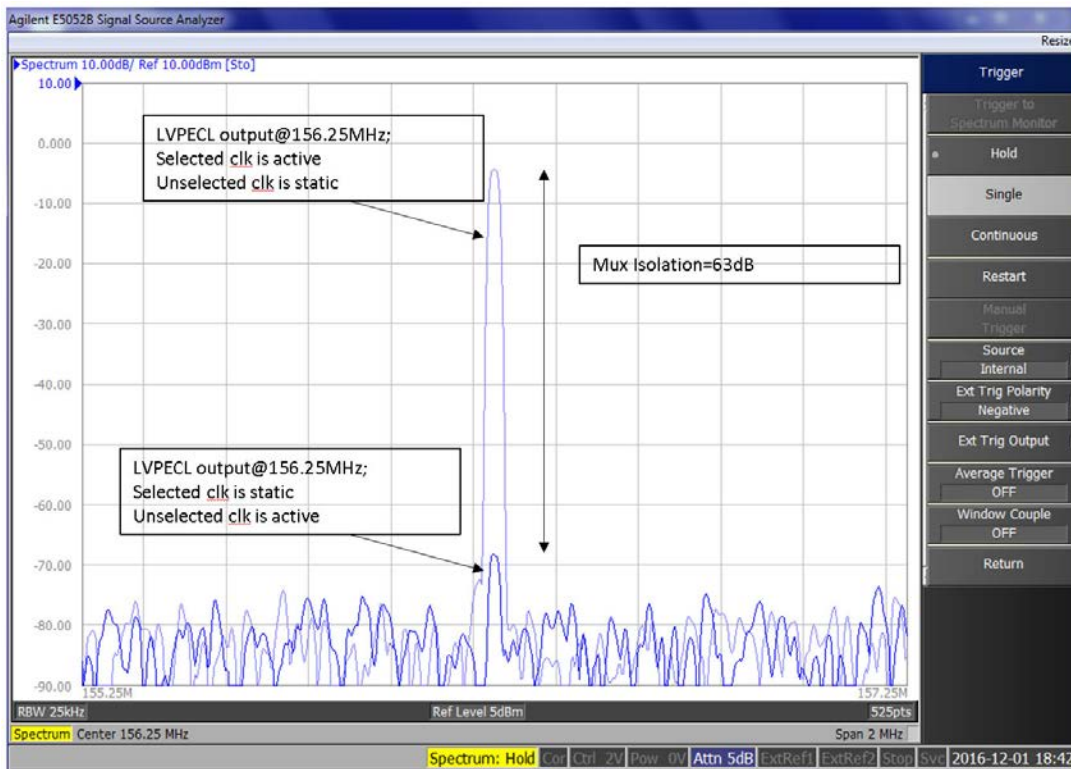


Figure 2.15. Input Mux Noise Isolation (Single-Ended Input Clock, 24-QFN Package)

## 2.10 Power Supply Noise Rejection

The device supports on-chip supply voltage regulation to reject power supply noise and simplify low-jitter operation in real-world environments. This feature enables robust operation alongside FPGAs, ASICs and SoCs and may reduce board-level filtering requirements. See [“AN491: Power Supply Rejection for Low-Jitter Clocks”](#) for more information.

### 3. Electrical Specifications

**Table 3.1. Recommended Operating Conditions**

Parameter	Symbol	Test Condition	Min	Typ	Max	Unit
Ambient Operating Temperature	$T_A$		-40	—	85	°C
Supply Voltage Range	$V_{DD}$	LVPECL	2.38	2.5	2.63	V
			2.97	3.3	3.63	V

**Table 3.2. Input Clock Specifications**

$V_{DD} = 2.5\text{ V} \pm 5\%$  or  $3.3\text{ V} \pm 10\%$ ;  $T_A = -40$  to  $85\text{ °C}$

Parameter	Symbol	Test Condition	Min	Typ	Max	Unit
Differential Input Common Mode Voltage	$V_{CM}$		0.05	—	—	V
Differential Input Swing (peak-to-peak)	$V_{IN}$		0.2	—	2.2	V
LVC MOS Input High Voltage	$V_{IH}$		$V_{DD} \times 0.7$	—	—	V
LVC MOS Input Low Voltage	$V_{IL}$		—	—	$V_{DD} \times 0.3$	V
Input Capacitance	$C_{IN}$	CLK0 and CLK1 pins with respect to GND	—	5	—	pF

**Table 3.3. DC Common Characteristics**

$V_{DD} = 2.5\text{ V} \pm 5\%$  or  $3.3\text{ V} \pm 10\%$ ;  $T_A = -40$  to  $85\text{ °C}$

Parameter	Symbol	Test Condition	Min	Typ	Max	Unit
Core Supply Current	$I_{DD}^1$	Si53320	—	260	—	mA
		Si53321/25/26	—	440	—	mA
		Si53322	—	130	—	mA
		Si53323	—	210	—	mA
		Si53327/28	—	80	—	mA
Output Supply Current (Per Clock Output)	$I_{DDOX}^1$	Si53327/28	—	35	—	mA
Input High Voltage	$V_{IH}$	CLK_SEL, OExb	$V_{DD} \times 0.8$	—	—	V
Input Low Voltage	$V_{IL}$	CLK_SEL, OExb	—	—	$V_{DD} \times 0.2$	V
Internal Pull-down Resistor	$R_{DOWN}$	CLK_SEL, OExb	—	25	—	k $\Omega$

**Note:**

1. Measured using ac-coupled termination at  $V_{DD}/V_{DDOX} = 3.3\text{ V}$ .



**Table 3.4. Output Characteristics (LVPECL)** $V_{DD} = 2.5\text{ V} \pm 5\%$  or  $3.3\text{ V} \pm 10\%$ ;  $T_A = -40$  to  $85\text{ }^\circ\text{C}$ 

Parameter	Symbol	Test Condition	Min	Typ	Max	Unit
Single-Ended Output Swing <sup>1</sup>	$V_{SE}$		0.55	0.80	1.05	V
Output Common Mode Voltage	$V_{COM}$		$V_{DD} - 1.595$	—	$V_{DD} - 1.245$	V

**Note:**

1. Unused outputs can be left floating. Do not short unused outputs to ground.

**Table 3.5. AC Characteristics** $V_{DD} = 2.5\text{ V} \pm 5\%$  or  $3.3\text{ V} \pm 10\%$ ;  $T_A = -40$  to  $85\text{ }^\circ\text{C}$ 

Parameter	Symbol	Test Condition	Min	Typ	Max	Unit
Frequency	F	Si53326/28	dc	—	200	MHz
		Si53320	dc	—	725	MHz
		Si53321/22/23/25/27	dc	—	1250	MHz
Duty Cycle (50% input duty cycle)	DC	20/80% $T_R/T_F < 10\%$ of period (Differential input clock)	47	50	53	%
		20/80% $T_R/T_F < 10\%$ of period (Single-Ended input clock)	45	50	55	%
Minimum Input Clock Slew Rate	$SR_{diff}$	Required to meet prop delay and additive jitter specifications (20–80%)	0.75	—	—	V/ns
	$SR_{se}$		1.00	—	—	V/ns
Output Rise/Fall Time	$T_R/T_F$	20–80%	—	—	350	ps
Minimum Input Pulse Width	$T_W$		360	—	—	ps
Propagation Delay	$T_{PLH}, T_{PHL}$		600	800	1000	ps
Output-to-Output Skew <sup>1</sup>	$T_{SK}$		—	25	60	ps
Part-to-Part Skew <sup>2</sup>	$T_{PS}$		—	—	150	ps
Power Supply Noise Rejection <sup>3</sup>	PSRR	10 kHz sinusoidal noise	—	–65	—	dBc
		100 kHz sinusoidal noise	—	–62.5	—	dBc
		500 kHz sinusoidal noise	—	–60	—	dBc
		1 MHz sinusoidal noise	—	–55	—	dBc

**Note:**

- Output-to-output skew specified for outputs with identical configuration.
- Defined as skew between any output on different devices operating at the same supply voltage, temperature, and equal load condition. Using the same type of inputs on each device, the outputs are measured at the differential cross points.
- Measured for 156.25 MHz carrier frequency. Sine-wave noise added to  $V_{DD}$  ( $3.3\text{ V} = 100\text{ mV}_{PP}$ ) and noise spur amplitude measured. See “AN491: Power Supply Rejection for Low-Jitter Clocks” for more information.

Table 3.6. Additive Jitter, Differential Clock Input

V <sub>DD</sub>	Input <sup>1, 2</sup>				Output	Additive Jitter (fs rms, 12 kHz to 20 MHz) <sup>3</sup>	
	Freq (MHz)	Clock Format	Amplitude V <sub>IN</sub> (Single-Ended, Peak-to-Peak)	Differential 20% to 80% Slew Rate (V/ns)	Clock Format	Typ	Max
3.3	725	Differential	0.15	0.637	LVPECL	45	95
3.3	156.25	Differential	0.5	0.458	LVPECL	160	185
2.5	725	Differential	0.15	0.637	LVPECL	45	95
2.5	156.25	Differential	0.5	0.458	LVPECL	145	185

**Note:**

1. For best additive jitter results, use the fastest slew rate possible. See [“AN766: Understanding and Optimizing Clock Buffer’s Additive Jitter Performance”](#) for more information.
2. AC-coupled differential inputs.
3. Measured differentially using a balun at the phase noise analyzer input. See [Figure 2.9 Differential Measurement Method Using a Balun on page 10](#).

Table 3.7. Additive Jitter, Single-Ended Clock Input

V <sub>DD</sub>	Input <sup>1, 2</sup>				Output	Additive Jitter (fs rms, 12 kHz to 20 MHz) <sup>3</sup>	
	Freq (MHz)	Clock Format	Amplitude V <sub>IN</sub> (Single-Ended, Peak-to-Peak)	Single-Ended 20% to 80% Slew Rate (V/ns)	Clock Format	Typ	Max
3.3	156.25	Single-ended	2.18	1	LVPECL	160	185
2.5	156.25	Single-ended	2.18	1	LVPECL	145	185

**Note:**

1. For best additive jitter results, use the fastest slew rate possible. See [“AN766: Understanding and Optimizing Clock Buffer’s Additive Jitter Performance”](#) for more information.
2. DC-coupled single-ended inputs.
3. Measured differentially using a balun at the phase noise analyzer input. See [Figure 2.9 Differential Measurement Method Using a Balun on page 10](#).

Table 3.8. Thermal Conditions

Parameter	Symbol	Test Condition	Value	Unit
16-QFN Thermal Resistance, Junction to Ambient	$\theta_{JA}$	Still air	57.6	°C/W
16-QFN Thermal Resistance, Junction to Case	$\theta_{JC}$	Still air	41.5	°C/W
20-TSSOP Thermal Resistance, Junction to Ambient	$\theta_{JA}$	Still air	93.88	°C/W
24-QFN Thermal Resistance, Junction to Ambient	$\theta_{JA}$	Still air	37	°C/W
24-QFN Thermal Resistance, Junction to Case	$\theta_{JC}$	Still air	25	°C/W
32-eLQFP Thermal Resistance, Junction to Ambient	$\theta_{JA}$	Still air	54.9	°C/W
32-eLQFP Thermal Resistance, Junction to Case	$\theta_{JC}$	Still air	10.0	°C/W
32-QFN Thermal Resistance, Junction to Ambient	$\theta_{JA}$	Still air	99.6	°C/W
32-QFN Thermal Resistance, Junction to Case	$\theta_{JC}$	Still air	10.3	°C/W

Table 3.9. Absolute Maximum Ratings<sup>1</sup>

Parameter	Symbol	Test Condition	Min	Typ	Max	Unit
Storage Temperature	$T_S$		-55	—	150	°C
Supply Voltage	$V_{DD}$		-0.5	—	3.8	V
Input Voltage	$V_{IN}$		-0.5	—	$V_{DD} + 0.3$	V
Output Voltage	$V_{OUT}$		—	—	$V_{DD} + 0.3$	V
ESD Sensitivity	HBM	HBM, 100 pF, 1.5 k $\Omega$	—	—	2000	V
	CDM		—	—	500	V
Peak Soldering Reflow Temperature	$T_{PEAK}$	Pb-Free; Solder reflow profile per JEDEC J-STD-020	—	—	260	°C
Maximum Junction Temperature	$T_J$		—	—	125	°C

**Note:**

1. Stresses beyond those listed in this table may cause permanent damage to the device. Functional operation specification compliance is not implied at these conditions. Exposure to maximum rating conditions for extended periods may affect device reliability.

## 4. Detailed Block Diagrams



Figure 4.1. Si53320 Block Diagram



Figure 4.2. Si53321 Block Diagram



Figure 4.3. Si53322 Block Diagram



Figure 4.4. Si53323 Block Diagram

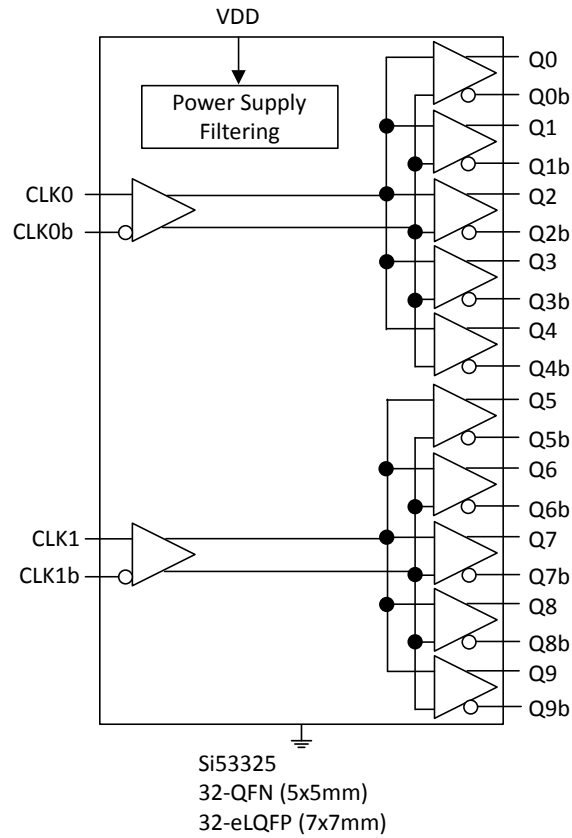


Figure 4.5. Si53325 Block Diagram

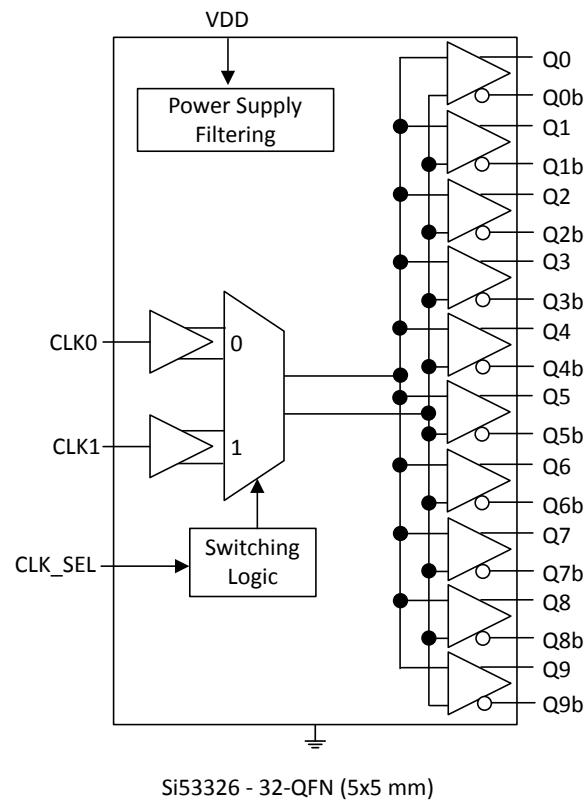
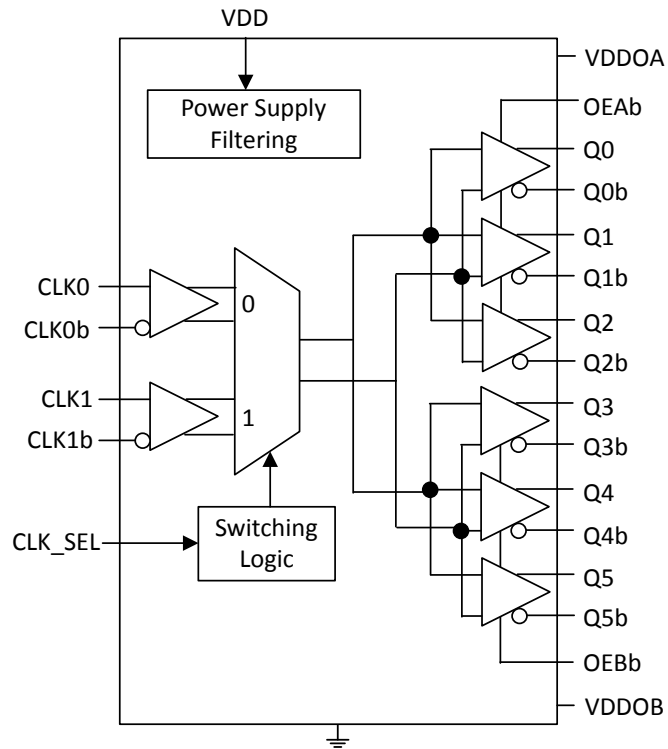
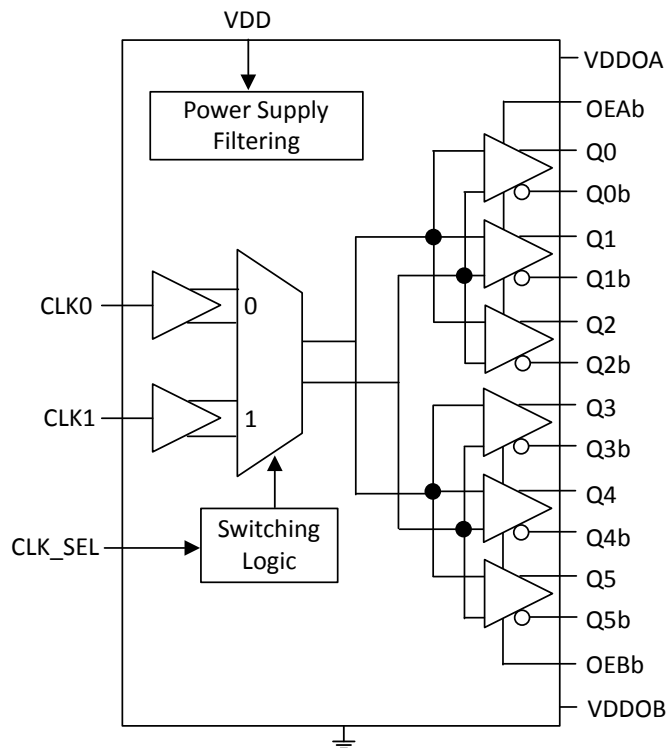


Figure 4.6. Si53326 Block Diagram



Si53327 - 24-QFN (4x4 mm)

Figure 4.7. Si53327 Block Diagram



Si53328 - 24-QFN (4x4 mm)

Figure 4.8. Si53328 Block Diagram

## 5. Pin Descriptions

### 5.1 Si53320 Pin Descriptions



**Table 5.1. Si53320 20-Pin TSSOP Descriptions**

Pin #	Name	Type <sup>1</sup>	Description
1	Q0	O	Output clock 0.
2	Q0b	O	Output clock 0 (complement).
3	Q1	O	Output clock 1.
4	Q1b	O	Output clock 1 (complement).
5	Q2	O	Output clock 2.
6	Q2b	O	Output clock 2 (complement).
7	Q3	O	Output clock 3.
8	Q3b	O	Output clock 3 (complement).
9	Q4	O	Output clock 4.
10	Q4b	O	Output clock 4 (complement).
11	GND	GND	Ground.
12	CLK_SEL	I	Mux input select pin (LVCMOS). When CLK_SEL is high, CLK1 is selected. When CLK_SEL is low, CLK0 is selected. CLK_SEL contains an internal pull-down resistor.
13	CLK0	I	Input clock 0.
14	CLK0b	I	Input clock 0 (complement). When CLK0 is driven by a single-ended input, connect CLK0b to an appropriate bias voltage (e.g., for a CMOS input apply $V_{DD}/2$ ).
15	NC	—	No connect. Leave this pin unconnected.
16	CLK1	I	Input clock 1.



Pin #	Name	Type <sup>1</sup>	Description
17	CLK1b	I	Input clock 1 (complement). When CLK1 is driven by a single-ended input, connect CLK1b to an appropriate bias voltage (e.g., for a CMOS input apply $V_{DD}/2$ ).
18	VDD	P	Core and Output voltage supply. Bypass with 1.0 $\mu$ F capacitor and place as close to the VDD pin as possible.
19	OEB	I	Output enable. When OEB = low, the clock outputs are enabled. When OEB = high, Qx is held low and Qxb is held high. OEB features an internal pull-down resistor and may be left unconnected.
20	VDD	P	Core and Output voltage supply. Bypass with 1.0 $\mu$ F capacitor and place as close to the VDD pin as possible.

**Note:**  
1. I = Input; O = Output; P = Power; GND = Ground.

## 5.2 Si53321 and Si53326 Pin Descriptions

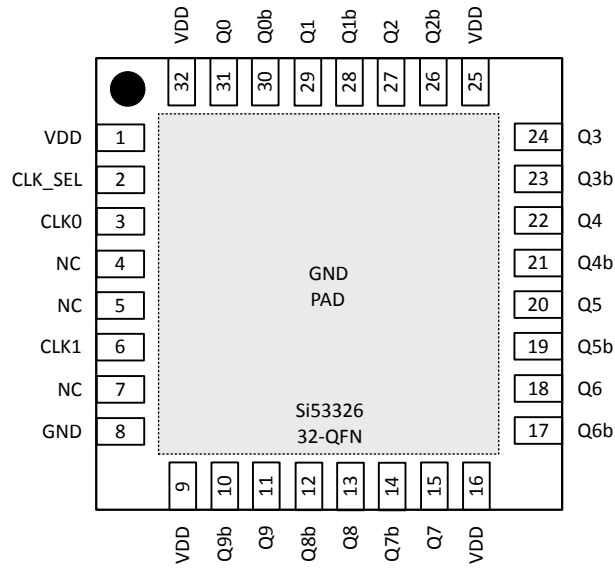
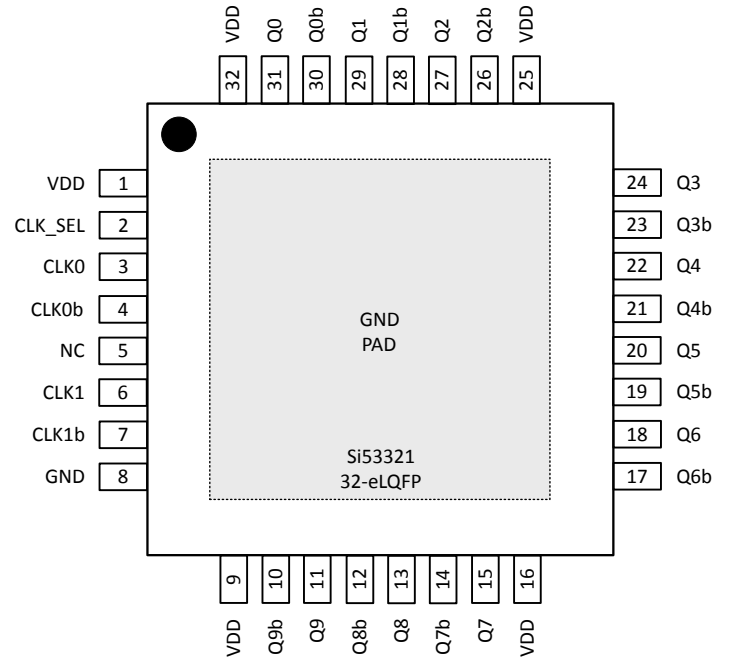


Table 5.2. Si53321 32-QFN/32-eLQFP and Si53326 32-QFN Pin Descriptions

Pin #	Name	Type <sup>1</sup>	Description
1	VDD	P	Core and Output voltage supply. Bypass with 1.0 $\mu$ F capacitor and place as close to the VDD pin as possible.
2	CLK_SEL	I	Mux input select pin (LVCMOS). When CLK_SEL is high, CLK1 is selected. When CLK_SEL is low, CLK0 is selected. CLK_SEL contains an internal pull-down resistor.
3	CLK0	I	Input clock 0.
4	CLK0b (Si53321 only)	I	Input clock 0 (complement). When CLK0 is driven by a single-ended LVCMOS input, connect CLK0b to an appropriate bias voltage (e.g. $V_{DD}/2$ ).
	NC (Si53326 only)	—	No connect. Leave this pin unconnected.
5	NC		No connect. Leave this pin unconnected.
6	CLK1	I	Input clock 1.
7	CLK1b (Si53321 only)	I	Input clock 1 (complement). When CLK1 is driven by a single-ended input, connect CLK1b to $V_{DD}/2$ .
	NC (Si53326 only)	—	No connect. Leave this pin unconnected.
8	GND	GND	Ground.
9	VDD	P	Core and Output voltage supply. Bypass with 1.0 $\mu$ F capacitor and place as close to the VDD pin as possible.
10	Q9b	O	Output clock 9 (complement).
11	Q9	O	Output clock 9.
12	Q8b	O	Output clock 8 (complement).
13	Q8	O	Output clock 8.
14	Q7b	O	Output clock 7 (complement).
15	Q7	O	Output clock 7.
16	VDD	P	Core and Output voltage supply. Bypass with 1.0 $\mu$ F capacitor and place as close to the VDD pin as possible.
17	Q6b	O	Output clock 6 (complement).
18	Q6	O	Output clock 6.
19	Q5b	O	Output clock 5 (complement).
20	Q5	O	Output clock 5.
21	Q4b	O	Output clock 4 (complement).
22	Q4	O	Output clock 4.
23	Q3b	O	Output clock 3 (complement).
24	Q3	O	Output clock 3.
25	VDD	P	Core and Output voltage supply. Bypass with 1.0 $\mu$ F capacitor and place as close to the VDD pin as possible.
26	Q2b	O	Output clock 2 (complement).

Pin #	Name	Type <sup>1</sup>	Description
27	Q2	O	Output clock 2.
28	Q1b	O	Output clock 1 (complement).
29	Q1	O	Output clock 1.
30	Q0b	O	Output clock 0 (complement).
31	Q0	O	Output clock 0.
32	VDD	P	Core and Output voltage supply. Bypass with 1.0 $\mu$ F capacitor and place as close to the VDD pin as possible.
GND Pad	Exposed ground pad	GND	Power supply ground and thermal relief. The exposed ground pad is thermally connected to the die to improve the heat transfer out of the package. The ground pad must be connected to GND to ensure device specifications are met.

**Note:**

1. I = Input; O = Output; P = Power; GND = Ground.

## 5.3 Si53322 Pin Descriptions



Table 5.3. Si53322 16-QFN Pin Descriptions

Pin	Name	Type <sup>1</sup>	Description
1	GND	GND	Ground.
2	NC	—	No connect. Leave this pin unconnected.
3	NC	—	No connect. Leave this pin unconnected.
4	NC	—	No connect. Leave this pin unconnected.
5	VDD	P	Core and Output voltage supply. Bypass with 1.0 $\mu$ F capacitor and place as close to the VDD pin as possible.
6	CLK	I	Input Clock
7	CLKb	I	Input clock (complement). When CLK is driven by a single-ended LVCMOS input, connect CLKb to an appropriate bias voltage (e.g. $V_{DD}/2$ ).
8	NC	—	No connect. Leave this pin unconnected.
9	Q0	O	Output Clock 0.
10	Q0b	O	Output Clock 0 (complement).
11	Q1	O	Output Clock 1.
12	Q1b	O	Output Clock 1 (complement).
13	NC	—	No connect. Leave this pin unconnected.
14	NC	—	No connect. Leave this pin unconnected.
15	NC	—	No connect. Leave this pin unconnected.
16	NC	—	No connect. Leave this pin unconnected.
GND Pad	Exposed ground pad	GND	Power supply ground and thermal relief. The exposed ground pad is thermally connected to the die to improve the heat transfer out of the package. The ground pad must be connected to GND to ensure device specifications are met.

**Note:**

1. I = Input; O = Output; P = Power; GND = Ground.

## 5.4 Si53323 Pin Descriptions



Table 5.4. Si53323 16-QFN Pin Descriptions

Pin	Name	Type <sup>1</sup>	Description
1	GND	GND	Ground.
2	CLK_SEL	I	Mux input select pin (LVCMOS). When CLK_SEL is high, CLK1 is selected. When CLK_SEL is low, CLK0 is selected. CLK_SEL contains an internal pull-down resistor.
3	CLK1	I	Input clock 1.
4	CLK1b	I	Input clock 1 (complement). When CLK1 is driven by a single-ended input, connect CLK1b to an appropriate bias voltage (e.g., for a CMOS input apply $V_{DD}/2$ ).
5	VDD	P	Core and Output Voltage Supply. Bypass with 1.0 $\mu\text{F}$ capacitor and place as close to the VDD pin as possible.
6	CLK0	I	Input Clock 0.
7	CLK0b	I	Input Clock 0 (complement). When CLK0 is driven by a single-ended input, connect CLK0b to an appropriate bias voltage (e.g., for a CMOS input apply $V_{DD}/2$ ).
8	NC	—	No connect. Leave this pin unconnected.
9	Q0	O	Output Clock 0.
10	Q0b	O	Output Clock 0 (complement).
11	Q1	O	Output Clock 1.
12	Q1b	O	Output Clock 1 (complement).
13	Q2	O	Output Clock 2.
14	Q2b	O	Output Clock 2 (complement).
15	Q3	O	Output Clock 3.
16	Q3b	O	Output Clock 3 (complement).
GND Pad	Exposed ground pad	GND	Power supply ground and thermal relief. The exposed ground pad is thermally connected to the die to improve the heat transfer out of the package. The ground pad must be connected to GND to ensure device specifications are met.

**Note:**

1. I = Input; O = Output; P = Power; GND = Ground.

## 5.5 Si53325 Pin Descriptions

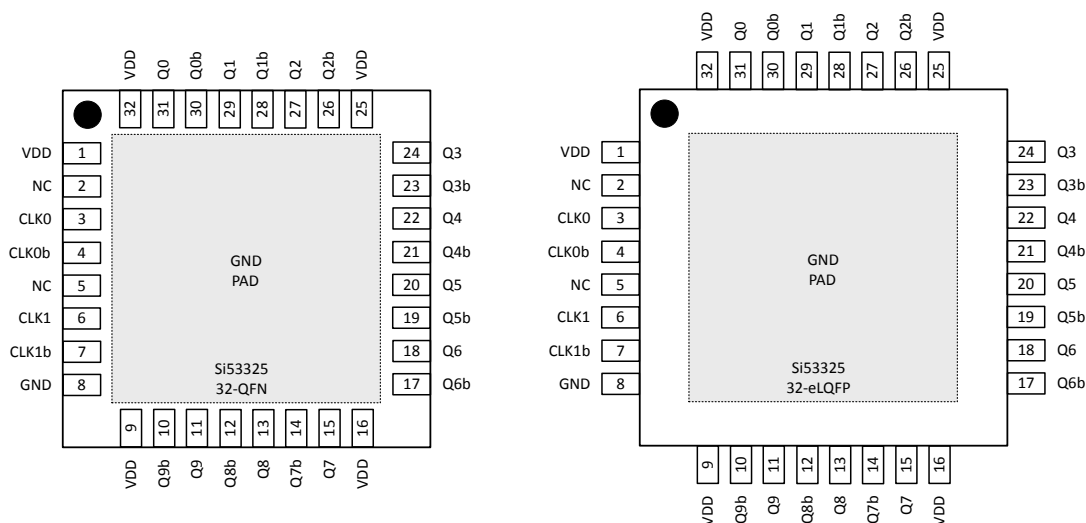


Table 5.5. Si53325 32-QFN and 32-eLQFP Pin Descriptions

Pin #	Name <sup>1</sup>	Type	Description
1	VDD	P	Core and Output voltage supply. Bypass with 1.0 $\mu$ F capacitor and place as close to the VDD pin as possible.
2	NC	—	No connect. Leave this pin unconnected.
3	CLK0	I	Input clock 0.
4	CLK0b	I	Input clock 0 (complement).
5	NC	—	No connect. Leave this pin unconnected.
6	CLK1	I	Input clock 1.
7	CLK1b	I	Input clock 1 (complement).
8	GND	GND	Ground.
9	VDD	P	Core voltage supply. Bypass with 1.0 $\mu$ F capacitor and place as close to the VDD pin as possible.
10	Q9b	O	Output clock 9 (complement).
11	Q9	O	Output clock 9.
12	Q8b	O	Output clock 8 (complement).
13	Q8	O	Output clock 8.
14	Q7b	O	Output clock 7 (complement).
15	Q7	O	Output clock 7.
16	VDD	P	Core voltage supply. Bypass with 1.0 $\mu$ F capacitor and place as close to the VDD pin as possible.
17	Q6b	O	Output clock 6 (complement).
18	Q6	O	Output clock 6.
19	Q5b	O	Output clock 5 (complement).
20	Q5	O	Output clock 5.

Pin #	Name <sup>1</sup>	Type	Description
21	Q4b	O	Output clock 4 (complement).
22	Q4	O	Output clock 4.
23	Q3b	O	Output clock 3 (complement).
24	Q3	O	Output clock 3.
25	VDD	P	Core and Output voltage supply. Bypass with 1.0 $\mu$ F capacitor and place as close to the VDD pin as possible.
26	Q2b	O	Output clock 2 (complement).
27	Q2	O	Output clock 2.
28	Q1b	O	Output clock 1 (complement).
29	Q1	O	Output clock 1.
30	Q0b	O	Output clock 0 (complement).
31	Q0	O	Output clock 0.
32	VDD	P	Core and Output voltage supply. Bypass with 1.0 $\mu$ F capacitor and place as close to the VDD pin as possible.
GND Pad	Exposed ground pad	GND	Power supply ground and thermal relief. The exposed ground pad is thermally connected to the die to improve the heat transfer out of the package. The ground pad must be connected to GND to ensure device specifications are met.

**Note:**

1. I = Input; O = Output; P = Power; GND = Ground.



## 5.6 Si53327 and Si53328 Pin Descriptions



Table 5.6. Si53327 and Si53328 24-QFN Pin Descriptions

Pin	Name	Type <sup>1</sup>	Description
1	OEAb	I	Output Enable for Bank A (Q0, Q1, Q2). When OEAb = LOW, outputs Q0, Q1, and Q2 are enabled. This pin contains an active pull-down resistor, and leaving the pin disconnected enables the outputs. When OEAb = HIGH, Q0, Q1, and Q2 are disabled.
2	Q1b	O	Output clock 1 (Complement).
3	Q1	O	Output clock 1.
4	Q0b	O	Output clock 0 (complement).
5	Q0	O	Output clock 0.
6	VDD	P	Core voltage supply. Bypass with 1.0 $\mu$ F capacitor and place as close to the VDD pin as possible.
7	CLK0	I	Input clock 0. Bypass with 1.0 $\mu$ F capacitor and place as close to the VDD pin as possible.
8	CLK0b (Si53327 only)	O	Input clock 0 (complement). When CLK0 is driven by a single-ended input, connect CLK0b to $V_{DD}/2$ .
	NC (Si53328 only)	—	No connect. Leave this pin unconnected.
9	NC	—	No connect. Leave this pin unconnected.
10	NC	—	No connect. Leave this pin unconnected.
11	CLK1	I	Input clock 1.
12	CLK1b (Si53327 only)	I	Input clock 1 (complement). When CLK1 is driven by a single-ended input, connect CLK1b to $V_{DD}/2$ .
	NC (Si53328 only)	—	No connect. Leave this pin unconnected.
13	CLK_SEL	I	Mux input select pin. When CLK_SEL=HIGH, CLK1 is selected. When CLK_SEL=LOW, CLK0 is selected. CLK_SEL contains an internal pull-down resistor.
14	Q5b	O	Output clock 5 (complement).
15	Q5	O	Output clock 5.

Pin	Name	Type <sup>1</sup>	Description
16	Q4b	O	Output clock 4 (complement).
17	Q4	O	Output clock 4.
18	OEBb	I	Output Enable for Bank B (Q3, Q4, Q5). When OEBb = LOW, outputs Q3, Q4, and Q5 are enabled. This pin contains an active pull-down resistor, and leaving the pin disconnected enables the outputs. When OEBb = HIGH, Q3, Q4, and Q5 are disabled.
19	VDDOB	P	Output voltage supply—Bank B (Outputs: Q3 to Q5). Bypass with 1.0 $\mu$ F capacitor and place as close to the VDDOB pin as possible.
20	Q3b	O	Output clock 3 (complement).
21	Q3	O	Output clock 3.
22	Q2b	O	Output clock 2 (complement).
23	Q2	O	Output clock 2.
24	VDDOA	P	Output voltage supply—Bank A (Outputs: Q0 to Q2). Bypass with 1.0 $\mu$ F capacitor and place as close to the VDDOA pin as possible.
GND Pad	Exposed ground pad	GND	Ground Pad—Power supply ground and thermal relief. The exposed ground pad is thermally connected to the die to improve the heat transfer out of the package. The ground pad must be connected to GND to ensure device specifications are met.

**Note:**

1. I = Input; O = Output; P = Power; GND = Ground.

## 6. Package Outlines

### 6.1 16-Pin QFN Package

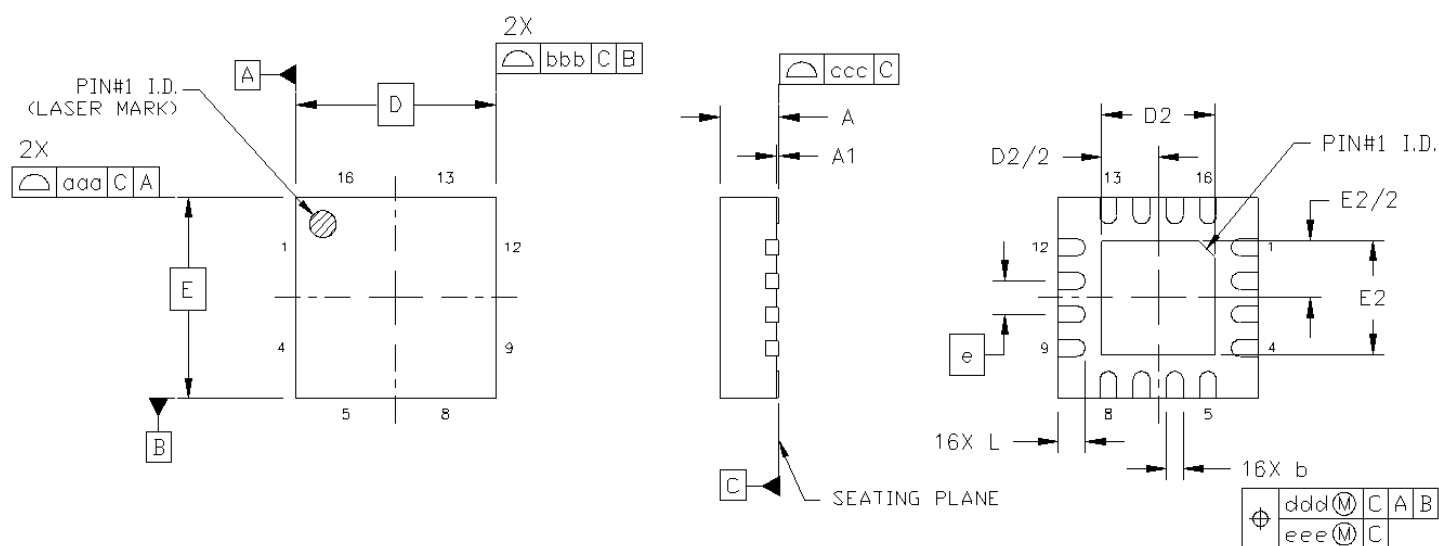


Figure 6.1. 16-Pin QFN Package

Table 6.1. 16-QFN Package Dimensions

Dimension	Min	Nom	Max
A	0.80	0.85	0.90
A1	0.00	0.02	0.05
b	0.18	0.25	0.30
D	3.00 BSC.		
D2	1.65	1.70	1.75
e	0.50 BSC.		
E	3.00 BSC.		
E2	1.65	1.70	1.75
L	0.30	0.40	0.50
aaa	—	—	0.10
bbb	—	—	0.10
ccc	—	—	0.08
ddd	—	—	0.10
eee	—	—	0.05

**Note:**

1. All dimensions shown are in millimeters (mm) unless otherwise noted.
2. Dimensioning and Tolerancing per ANSI Y14.5M-1994.

6.2 20-Pin TSSOP Package



Figure 6.2. 20-Pin TSSOP Package

Table 6.2. 20-TSSOP Package Dimensions

Dimension	Min	Nom	Max	Dimension	Min	Nom	Max
A	—	—	1.20	e	0.65 BSC		
A1	0.05	—	0.15	L	0.45	0.60	0.75
A2	0.80	1.00	1.05	L2	0.25 BSC		
b	0.19	—	0.30	q	0°	—	8°
c	0.09	—	0.20	aaa	0.10		
D	6.40	6.50	6.60	bbb	0.10		
E	6.40 BSC			ccc	0.20		
E1	4.30	4.40	4.50				

**Note:**

1. All dimensions shown are in millimeters (mm) unless otherwise noted.
2. Dimensioning and Tolerancing per ANSI Y14.5M-1994.
3. This drawing conforms to the JEDEC Solid State Outline MO-153, Variation AC.
4. Recommended card reflow profile is per the JEDEC/IPC J-STD-020 specification for Small Body Components.

## 6.3 24-Pin QFN Package

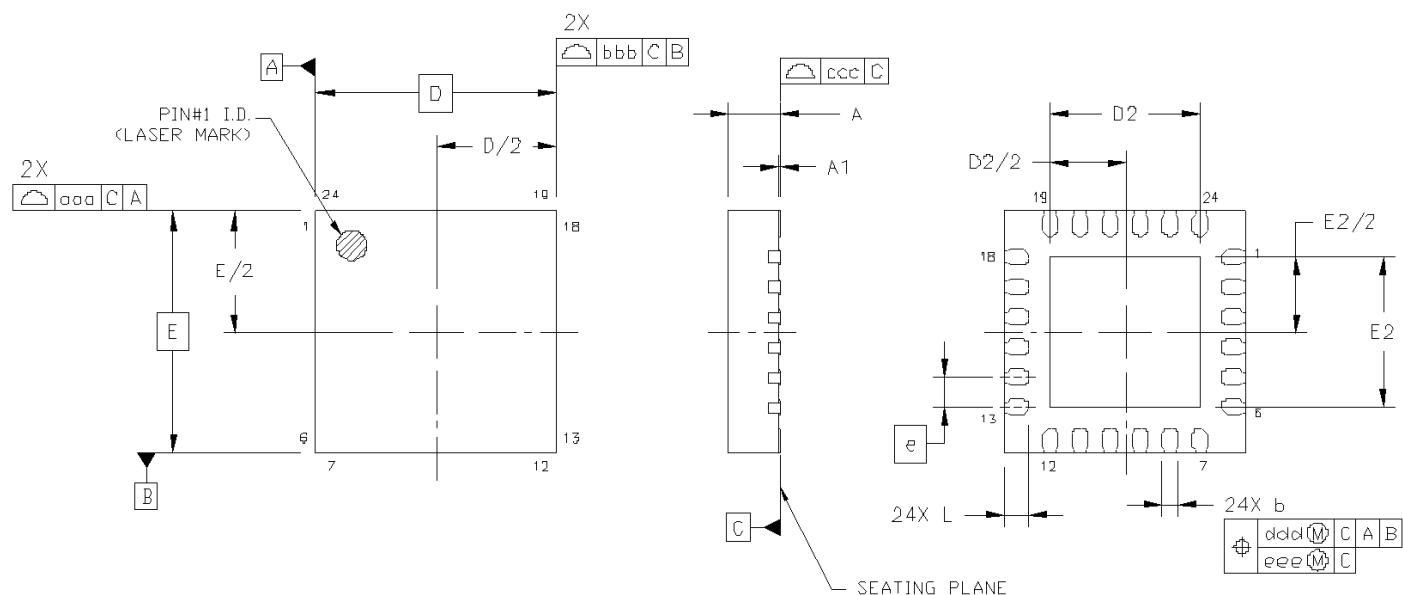


Figure 6.3. 24-Pin QFN Package

Table 6.3. 24-QFN Package Dimensions

Dimension	Min	Nom	Max
A	0.80	0.85	0.90
A1	0.00	0.02	0.05
b	0.18	0.25	0.30
D	4.00 BSC.		
D2	2.35	2.50	2.65
e	0.50 BSC.		
E	4.00 BSC.		
E2	2.35	2.50	2.65
L	0.30	0.40	0.50
aaa	0.10		
bbb	0.10		
ccc	0.08		
ddd	0.10		
eee	0.05		

**Note:**

1. All dimensions shown are in millimeters (mm) unless otherwise noted.
2. Dimensioning and Tolerancing per ANSI Y14.5M-1994.
3. This drawing conforms to JEDEC outline MO-220, variation VGGD-8.
4. Recommended card reflow profile is per the JEDEC/IPC J-STD-020C specification for Small Body Components.

## 6.4 32-Pin QFN Package



Figure 6.4. 32-Pin QFN Package

Table 6.4. 32-QFN Package Dimensions

Dimension	Min	Nom	Max
A	0.80	0.85	1.00
A1	0.00	0.02	0.05
b	0.18	0.25	0.30
c	0.20	0.25	0.30
D	5.00 BSC		
D2	2.00	2.15	2.30
e	0.50 BSC		
E	5.00 BSC		
E2	2.00	2.15	2.30
L	0.30	0.40	0.50
aaa	0.10		
bbb	0.10		
ccc	0.08		
ddd	0.10		

**Note:**

1. All dimensions shown are in millimeters (mm) unless otherwise noted.
2. Dimensioning and Tolerancing per ANSI Y14.5M-1994.
3. This drawing conforms to the JEDEC Solid State Outline MO-220.

6.5 32-Pin eLQFP Package

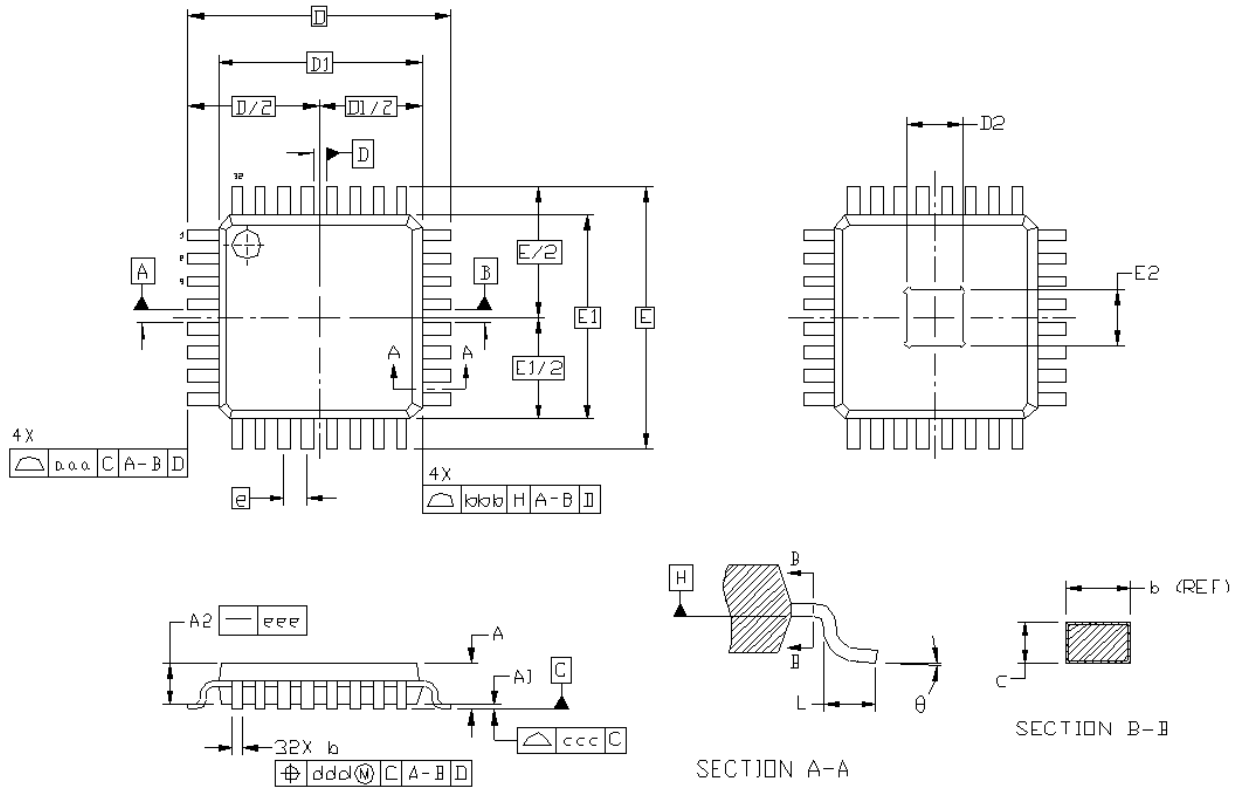


Figure 6.5. 32-Pin eLQFP Package

Table 6.5. 32-eLQFP Package Dimensions

Dimension	Min	Nom	Max	Dimension	Min	Nom	Max
A	—	—	1.60	E1	7.00 BSC		
A1	0.05	—	0.15	E2	1.87	1.92	1.97
A2	1.35	1.40	1.45	L	0.45	0.60	0.75
b	0.30	0.37	0.45	θ	0°	3.5°	7°
c	0.09	—	0.20	aaa	0.20		
D	9.00 BSC			bb	0.20		
D1	7.00 BSC			ccc	0.10		
D2	1.87	1.92	1.97	dddd	0.20		
e	0.80 BSC			eee	0.05		
E	9.00 BSC						

Note:

1. All dimensions shown are in millimeters (mm) unless otherwise noted.
2. Dimensioning and Tolerancing per ANSI Y14.5M-1994.
3. This drawing conforms to the JEDEC MS-026.
4. Recommended card reflow profile is per the JEDEC/IPC J-STD-020 specification for Small Body Components.

## 7. Land Patterns

### 7.1 16-Pin QFN Land Pattern



Figure 7.1. 16-Pin QFN Land Pattern

Table 7.1. 16-QFN Land Pattern Dimensions

Dimension	mm
C1	3.00
C2	3.00
E	0.50
X1	0.30
Y1	0.80
X2	1.75
Y2	1.75

#### Notes:

##### General

1. All dimensions shown are in millimeters (mm).
2. This Land Pattern Design is based on the IPC-7351 guidelines.
3. All dimensions shown are at Maximum Material Condition (MMC). Least Material Condition (LMC) is calculated based on a Fabrication Allowance of 0.05 mm.

##### Solder Mask Design

1. All metal pads are to be non-solder mask defined (NSMD). Clearance between the solder mask and the metal pad is to be 60  $\mu\text{m}$  minimum, all the way around the pad.

##### Stencil Design

1. A stainless steel, laser-cut and electro-polished stencil with trapezoidal walls should be used to assure good solder paste release.
2. The stencil thickness should be 0.125 mm (5 mils).
3. The ratio of stencil aperture to land pad size should be 1:1 for all perimeter pads.
4. A 2 x 2 array of 0.65 mm square openings on a 0.90 mm pitch should be used for the center ground pad.

##### Card Assembly

1. A No-Clean, Type-3 solder paste is recommended.
2. The recommended card reflow profile is per the JEDEC/IPC J-STD-020 specification for Small Body Components.



## 7.2 20-Pin TSSOP Land Pattern

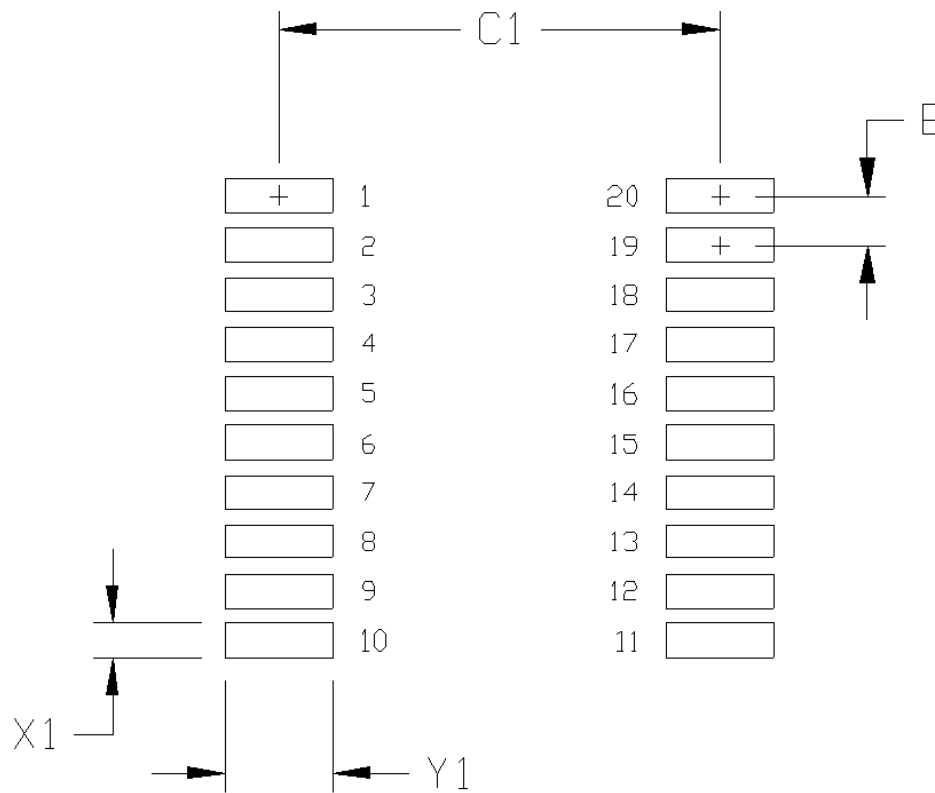


Figure 7.2. 20-Pin TSSOP Land Pattern

Table 7.2. 20-TSSOP Land Pattern Dimensions

Dimensions	Feature	(mm)
C1	Pad Column Spacing	5.80
E	Pad Row Pitch	0.65
X1	Pad Width	0.45
Y1	Pad Length	1.40

**Note:**

1. This Land Pattern Design is based on IPC-7351 specifications for Density Level B (Median Land Protrusion).
2. All feature sizes shown are at Maximum Material Condition (MMC) and a card fabrication tolerance of 0.05 mm is assumed.

## 7.3 24-Pin QFN Land Pattern



Figure 7.3. 24-Pin QFN Land Pattern

Table 7.3. 24-QFN Land Pattern Dimensions

Dimension	mm
P1	2.55
P2	2.55
X1	0.25
Y1	0.80
C1	3.90
C2	3.90
E	0.50

**Notes:****General**

1. All dimensions shown are in millimeters (mm).
2. This Land Pattern Design is based on the IPC-7351 guidelines.

**Solder Mask Design**

1. All metal pads are to be non-solder mask defined (NSMD). Clearance between the solder mask and the metal pad is to be 60  $\mu$ m minimum, all the way around the pad.

**Stencil Design**

1. A stainless steel, laser-cut and electro-polished stencil with trapezoidal walls should be used to assure good solder paste release.
2. The stencil thickness should be 0.125 mm (5 mils).
3. The ratio of stencil aperture to land pad size should be 1:1 for all perimeter pads.
4. A 2 x 2 array of 1.10 mm x 1.10 mm openings on 1.30 mm pitch should be used for the center ground pad.

**Card Assembly**

1. A No-Clean, Type-3 solder paste is recommended.
2. The recommended card reflow profile is per the JEDEC/IPC J-STD-020 specification for Small Body Components.

## 7.4 32-Pin QFN Land Pattern



Figure 7.4. 32-Pin QFN Land Pattern

Table 7.4. 32-QFN Land Pattern Dimensions

Dimension	Min	Max	Dimension	Min	Max
C1	4.52	4.62	X2	2.20	2.30
C2	4.52	4.62	Y1	0.59	0.69
E	0.50 BSC		Y2	2.20	2.30
X1	0.20	0.30			

**Notes:****General**

1. All dimensions shown are in millimeters (mm) unless otherwise noted.
2. This Land Pattern Design is based on the IPC-7351 guidelines.

**Solder Mask Design**

1. All metal pads are to be non-solder mask defined (NSMD). Clearance between the solder mask and the metal pad is to be 60  $\mu$ m minimum, all the way around the pad.

**Stencil Design**

1. A stainless steel, laser-cut and electro-polished stencil with trapezoidal walls should be used to assure good solder paste release.
2. The stencil thickness should be 0.125 mm (5 mils).
3. The ratio of stencil aperture to land pad size should be 1:1 for all perimeter pads.
4. A 2 x 2 array of 0.75 mm square openings on 1.15 mm pitch should be used for the center ground pad.

**Card Assembly**

1. A No-Clean, Type-3 solder paste is recommended.
2. The recommended card reflow profile is per the JEDEC/IPC J-STD-020 specification for Small Body Components.

## 7.5 32-Pin eLQFP Land Pattern



Figure 7.5. 32-Pin eLQFP Land Pattern

Table 7.5. 32-eLQFP Land Pattern Dimensions

Dimension	Min	Max
C1	8.40	8.50
C2	8.40	8.50
D1	1.84	2.00
D2	1.84	2.00
E	0.80 BSC	
X1	0.40	0.50
Y1	1.25	1.35

**Notes:****General**

1. All dimensions shown are in millimeters (mm) unless otherwise noted.
2. This Land Pattern Design is based on the IPC-7351 guidelines.

**Solder Mask Design**

1. All metal pads are to be non-solder mask defined (NSMD). Clearance between the solder mask and the metal pad is to be 60  $\mu$ m minimum, all the way around the pad.

**Stencil Design**

1. A stainless steel, laser-cut and electro-polished stencil with trapezoidal walls should be used to assure good solder paste release.
2. The stencil thickness should be 0.125 mm (5 mils).
3. The ratio of stencil aperture to land pad size should be 1:1 for all perimeter pads.
4. A single 1.5 x 1.5 mm stencil aperture should be used for the center ground pad to achieve between 50-60% solder coverage.

**Card Assembly**

1. A No-Clean, Type-3 solder paste is recommended.
2. The recommended card reflow profile is per the JEDEC/IPC J-STD-020 specification for Small Body Components.

## 8. Top Markings

### 8.1 Si53320 Top Marking



Figure 8.1. Si53320 Top Marking

Table 8.1. Si53320 Top Marking Explanation

<b>Mark Method:</b>	Laser	
<b>Font Size:</b>	2.0 Point (0.71 mm) Right-Justified	
<b>Line 1 Marking:</b>	Customer Part Number	Si53320
<b>Line 2 Marking:</b>	TTTTTT = Mfg Code	Manufacturing Code from Assembly Purchase Order form.
<b>Line 3 Marking:</b>	Circle = 1.2 mm Diameter	“e3” Pb-Free Symbol
	YY = Year WW = Work Week	Assigned by the Assembly House. Corresponds to year and work week of the build date.

8.2 Si53321/25/26 Top Markings



Figure 8.2. Si53321 Top Marking



Figure 8.3. Si53325 Top Marking



Figure 8.4. Si53326 Top Marking

Table 8.2. Si53321/25/26 Top Marking Explanation

<b>Mark Method:</b>	Laser	
<b>Font Size:</b>	2.0 Point (28 mils) Center-Justified	
<b>Line 1 Marking:</b>	Device Part Number	53321 for Si53321 53325 for Si53325 53326 for Si53326
<b>Line 2 Marking:</b>	Device Revision/Type	B-GM for Si53321 and Si53325. Blank for Si53326.
<b>Line 3 Marking:</b>	TTTTTT = Mfg Code	Manufacturing Code from the Assembly Purchase Order form.
<b>Line 4 Marking</b>	Circle = 0.50 mm Diameter Lower-Left Justified	Pin 1 Identifier
	YY = Year WW = Work Week	Corresponds to the year and work week of the mold date.

8.3 Si53322/23 Top Markings



Figure 8.5. Si53322 Top Marking

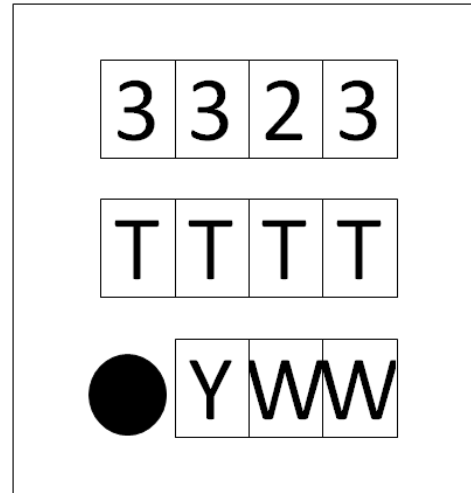


Figure 8.6. Si53323 Top Marking

Table 8.3. Si53322/23 Top Marking Explanation

<b>Mark Method:</b>	Laser	
<b>Font Size:</b>	0.635 mm (25 mils) Right-Justified	
<b>Line 1 Marking:</b>	Product ID	3322 for Si53322 3323 for Si53323
<b>Line 2 Marking:</b>	TTTT = Mfg Code	Manufacturing Code
<b>Line 3 Marking</b>	Circle = 0.5 mm Diameter Bottom-Left Justified	Pin 1 Identifier
	YWW = Date Code	Corresponds to the last digit of the current year (Y) and the workweek (WW) of the mold date.

8.4 Si53327/28 Top Markings

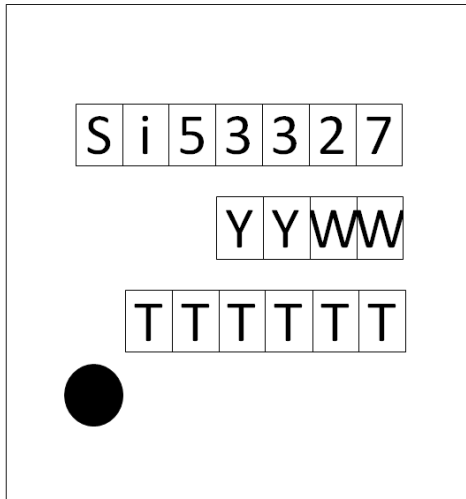


Figure 8.7. Si53327 Top Marking

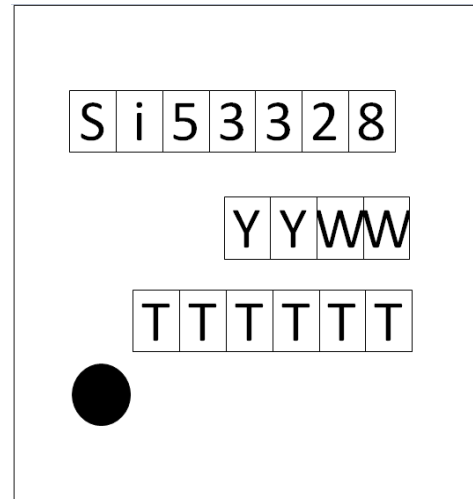


Figure 8.8. Si53328 Top Marking

Table 8.4. Si53327/28 Top Marking Explanation

<b>Mark Method:</b>	Laser	
<b>Font Size:</b>	2.0 Point (28 mils) Center-Justified	
<b>Line 1 Marking:</b>	Device Part Number	53327 for Si53327 53328 for Si53328
<b>Line 2 Marking:</b>	Device Revision/Type	B-GM
<b>Line 3 Marking:</b>	TTTTTT = Mfg Code	Manufacturing Code from the Assembly Purchase Order form.
<b>Line 4 Marking:</b>	Circle = 0.5 mm Diameter Lower-Left Justified	Pin 1 Identifier
	YY = year WW = Work Week	Assigned by the Assembly House. Corresponds to the year and work week of the mold date.



---

# Table of Contents

<b>1. Ordering Guide</b>	<b>1</b>
<b>2. Functional Description</b>	<b>2</b>
2.1 Universal, Any-Format Input Termination (Si53320/21/22/23/25/27)	2
2.2 LVCMOS Input Termination (Si53326/28 Only)	5
2.3 Input Bias Resistors	6
2.4 Input Mux	6
2.5 Output Clock Termination Options	7
2.6 AC Timing Waveforms	9
2.7 Typical Phase Noise Performance: Differential Input Clock	10
2.8 Typical Phase Noise Performance: Single-Ended Input Clock	12
2.9 Input Mux Noise Isolation	13
2.10 Power Supply Noise Rejection	14
<b>3. Electrical Specifications</b>	<b>15</b>
<b>4. Detailed Block Diagrams</b>	<b>19</b>
<b>5. Pin Descriptions</b>	<b>23</b>
5.1 Si53320 Pin Descriptions	23
5.2 Si53321 and Si53326 Pin Descriptions	25
5.3 Si53322 Pin Descriptions	28
5.4 Si53323 Pin Descriptions	29
5.5 Si53325 Pin Descriptions	30
5.6 Si53327 and Si53328 Pin Descriptions	32
<b>6. Package Outlines</b>	<b>34</b>
6.1 16-Pin QFN Package	34
6.2 20-Pin TSSOP Package	35
6.3 24-Pin QFN Package	36
6.4 32-Pin QFN Package	37
6.5 32-Pin eLQFP Package	38
<b>7. Land Patterns</b>	<b>39</b>
7.1 16-Pin QFN Land Pattern	39
7.2 20-Pin TSSOP Land Pattern	40
7.3 24-Pin QFN Land Pattern	41
7.4 32-Pin QFN Land Pattern	42
7.5 32-Pin eLQFP Land Pattern	43
<b>8. Top Markings</b>	<b>44</b>

---

8.1 Si53320 Top Marking . . . . .	.44
8.2 Si53321/25/26 Top Markings . . . . .	.45
8.3 Si53322/23 Top Markings . . . . .	.46
8.4 Si53327/28 Top Markings . . . . .	.47
<b>Table of Contents . . . . .</b>	<b>48</b>



## ClockBuilder Pro

One-click access to Timing tools, documentation, software, source code libraries & more. Available for Windows and iOS (CBGo only).

[www.silabs.com/CBPro](http://www.silabs.com/CBPro)



**Timing Portfolio**  
[www.silabs.com/timing](http://www.silabs.com/timing)



**SW/HW**  
[www.silabs.com/CBPro](http://www.silabs.com/CBPro)



**Quality**  
[www.silabs.com/quality](http://www.silabs.com/quality)



**Support and Community**  
[community.silabs.com](http://community.silabs.com)

### Disclaimer

Silicon Labs intends to provide customers with the latest, accurate, and in-depth documentation of all peripherals and modules available for system and software implementers using or intending to use the Silicon Labs products. Characterization data, available modules and peripherals, memory sizes and memory addresses refer to each specific device, and "Typical" parameters provided can and do vary in different applications. Application examples described herein are for illustrative purposes only. Silicon Labs reserves the right to make changes without further notice and limitation to product information, specifications, and descriptions herein, and does not give warranties as to the accuracy or completeness of the included information. Silicon Labs shall have no liability for the consequences of use of the information supplied herein. This document does not imply or express copyright licenses granted hereunder to design or fabricate any integrated circuits. The products are not designed or authorized to be used within any Life Support System without the specific written consent of Silicon Labs. A "Life Support System" is any product or system intended to support or sustain life and/or health, which, if it fails, can be reasonably expected to result in significant personal injury or death. Silicon Labs products are not designed or authorized for military applications. Silicon Labs products shall under no circumstances be used in weapons of mass destruction including (but not limited to) nuclear, biological or chemical weapons, or missiles capable of delivering such weapons.

### Trademark Information

Silicon Laboratories Inc.®, Silicon Laboratories®, Silicon Labs®, SiLabs® and the Silicon Labs logo®, Bluegiga®, Bluegiga Logo®, Clockbuilder®, CMEMS®, DSPPLL®, EFM®, EFM32®, EFR, Ember®, Energy Micro, Energy Micro logo and combinations thereof, "the world's most energy friendly microcontrollers", Ember®, EZLink®, EZRadio®, EZRadioPRO®, Gecko®, ISOModem®, Precision32®, ProSLIC®, Simplicity Studio®, SiPHY®, Telegesis, the Telegesis Logo®, USBXpress® and others are trademarks or registered trademarks of Silicon Labs. ARM, CORTEX, Cortex-M3 and THUMB are trademarks or registered trademarks of ARM Holdings. Keil is a registered trademark of ARM Limited. All other products or brand names mentioned herein are trademarks of their respective holders.



Silicon Laboratories Inc.  
400 West Cesar Chavez  
Austin, TX 78701  
USA

<http://www.silabs.com>

Компания «Life Electronics» занимается поставками электронных компонентов импортного и отечественного производства от производителей и со складов крупных дистрибьюторов Европы, Америки и Азии.

С конца 2013 года компания активно расширяет линейку поставок компонентов по направлению коаксиальный кабель, кварцевые генераторы и конденсаторы (керамические, пленочные, электролитические), за счёт заключения дистрибьюторских договоров

Мы предлагаем:

- Конкурентоспособные цены и скидки постоянным клиентам.
- Специальные условия для постоянных клиентов.
- Подбор аналогов.
- Поставку компонентов в любых объемах, удовлетворяющих вашим потребностям.
- Приемлемые сроки поставки, возможна ускоренная поставка.
- Доставку товара в любую точку России и стран СНГ.
- Комплексную поставку.
- Работу по проектам и поставку образцов.
- Формирование склада под заказчика.
- Сертификаты соответствия на поставляемую продукцию (по желанию клиента).
- Тестирование поставляемой продукции.
- Поставку компонентов, требующих военную и космическую приемку.
- Входной контроль качества.
- Наличие сертификата ISO.

В составе нашей компании организован Конструкторский отдел, призванный помогать разработчикам, и инженерам.

Конструкторский отдел помогает осуществить:

- Регистрацию проекта у производителя компонентов.
- Техническую поддержку проекта.
- Защиту от снятия компонента с производства.
- Оценку стоимости проекта по компонентам.
- Изготовление тестовой платы монтаж и пусконаладочные работы.



Тел: +7 (812) 336 43 04 (многоканальный)  
Email: [org@lifeelectronics.ru](mailto:org@lifeelectronics.ru)