

Overvoltage protected AC switch (ACS™)

Datasheet - production data



Applications

- AC static switching in appliance control systems
- Drive of low power high inductive or resistive loads like:
 - Relay, valve, solenoid, dispenser
 - Pump, fan, micro-motor
 - Defrost heater

Description

The ACS120 belongs to the AC line switch family. This high performance switch circuit is able to control a load of up to 2 A.

The ACS™ switch embeds a high voltage clamping structure to absorb the inductive turn off energy and a gate level shifter driver to separate the digital controller from the main switch. It is triggered with a negative gate current flowing out of the gate pin.

Features

- Blocking voltage: $V_{DRM} / V_{RRM} = \pm 700 \text{ V}$
- Avalanche controlled: $V_{CL} \text{ typ.} = 1100 \text{ V}$
- Nominal conducting current: $I_{T(RMS)} = 2 \text{ A}$
- Gate triggering current: $I_{GT} < 10 \text{ mA}$
- High noise immunity: static $dV/dt > 500 \text{ V}/\mu\text{s}$

Benefits

- Needs no more external protection snubber or varistor
- Enables equipment to meet IEC 61000-4-5
- Reduces component count up to 80%
- Interfaces directly with the micro controller
- Eliminates any gate kick back on the micro-controller
- Allows straightforward connection of several AC switches on same cooling pad

Figure 1. Functional diagram



1 Characteristics

Table 1. Absolute ratings (limiting values)
For either positive or negative polarity of pin OUT voltage in respect to pin COM voltage

Symbol	Parameter		Value	Unit	
V_{DRM}/V_{RRM}	Repetitive peak off-state voltage		700	V	
$I_{T(RMS)}$	On-state RMS current full cycle sine wave 50 to 60 Hz	DPAK	$T_C = 119\text{ °C}$	2	A
		TO-220FPAB	$T_C = 117\text{ °C}$		
		TO-220AB	$T_C = 119\text{ °C}$		
I_{TSM}	Non repetitive surge peak on-state current T_J initial = 25 °C, full cycle sine wave		$t_P = 20\text{ ms}$	20	A
			$t_P = 16.7\text{ ms}$	21	A
I^2t	Fusing capability		$t_P = 10\text{ ms}$	2.6	A ² s
di/dt	Repetitive on-state current critical rate of rise $I_G = 10\text{ mA}$ ($t_r < 100\text{ ns}$)	$T_J = 125\text{ °C}$	$f = 120\text{ Hz}$	50	A/ μ s
V_{PP}	Non repetitive line peak pulse voltage ⁽¹⁾		2	kV	
T_{stg}	Storage temperature range		- 40 to + 150	°C	
T_J	Operating junction temperature range		- 30 to + 125	°C	
T_L	Maximum lead soldering temperature during 10 s		260	°C	

1. According to test described by IEC 61000-4-5 standard and [Figure 17](#).

Table 2. Switch Gate characteristics (maximum values)

Symbol	Parameter	Value	Unit
$P_{G(AV)}$	Average gate power dissipation	0.1	W
I_{GM}	Peak gate current ($t_P = 20\text{ }\mu$ s)	1	A
V_{GM}	Peak positive gate voltage (in respect to pin COM)	5	V

Table 3. Thermal resistances

Symbol	Parameter		Value	Unit
$R_{th(j-a)}$	Junction to ambient	$S = 0.5\text{ cm}^2$ ⁽¹⁾ DPAK	70	°C/W
		TO-220FPAB	60	°C/W
		TO-220AB	60	°C/W
$R_{th(j-c)}$	Junction to case	DPAK	2.6	°C/W
		TO-220FPAB	3.5	°C/W
		TO-220AB	2.6	°C/W

1. S = Copper surface under tab

Table 4. Parameter description

Symbol	Parameter description
I_{GT}	Triggering gate current
V_{GT}	Triggering gate voltage
V_{GD}	Non-triggering gate voltage
I_H	Holding current
I_L	Latching current
V_{TM}	Peak on-state voltage drop
V_{TO}	On state threshold voltage
R_d	On state dynamic resistance
I_{DRM} / I_{RRM}	Maximum forward or reverse leakage current
dV/dt	Critical rate of rise of off-state voltage
(dV/dt) _c	Critical rate of rise of commutating off-state voltage
(dI/dt) _c	Critical rate of decrease of commutating on-state current
V_{CL}	Clamping voltage
I_{CL}	Clamping current

Table 5. Electrical characteristics

Symbol	Test conditions			Values	Unit	
I_{GT}	$V_{OUT} = 12V$ (DC), $R_L = 140 \Omega$	QII -QIII	$T_J = 25^\circ C$	Max	10	mA
V_{GT}	$V_{OUT} = 12V$ (DC), $R_L = 140 \Omega$	QII -QIII	$T_J = 25^\circ C$	Max	1	V
V_{GD}	$V_{OUT} = V_{DRM}$, $R_L = 3.3 k\Omega$		$T_J = 125^\circ C$	Min	0.15	V
I_H	$I_{OUT} = 100$ mA gate open		$T_J = 25^\circ C$	Max	45	mA
I_L	$I_G = 20$ mA		$T_J = 25^\circ C$	Max	65	mA
V_{TM}	$I_{OUT} = 2.8$ A, $t_p = 380 \mu s$		$T_J = 25^\circ C$	Max	1.3	V
V_{TO}			$T_J = 125^\circ C$	Max	0.85	V
R_d			$T_J = 125^\circ C$	Max	200	m Ω
I_{DRM} / I_{RRM}	$V_{OUT} = 700$ V		$T_J = 25^\circ C$	Max	2	μA
			$T_J = 125^\circ C$	Max	200	
dV/dt	$V_{OUT} = 460$ V gate open		$T_J = 110^\circ C$	Min	500	V/ μs
(dI/dt) _c	(dV/dt) _c = 20 V/ μs		$T_J = 125^\circ C$	Min	1	A/ms
V_{CL}	$I_{CL} = 1$ mA, $t_p = 1$ ms		$T_J = 25^\circ C$	Typ	1100	V

Figure 2. Maximum power dissipation versus RMS on-state current

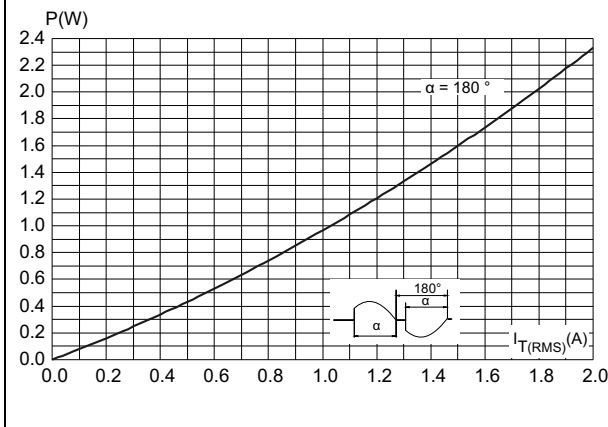


Figure 3. On-state RMS current versus case temperature

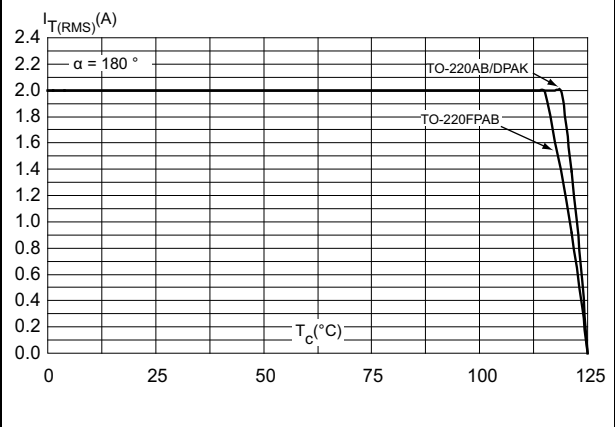


Figure 4. On-state RMS current versus ambient temperature

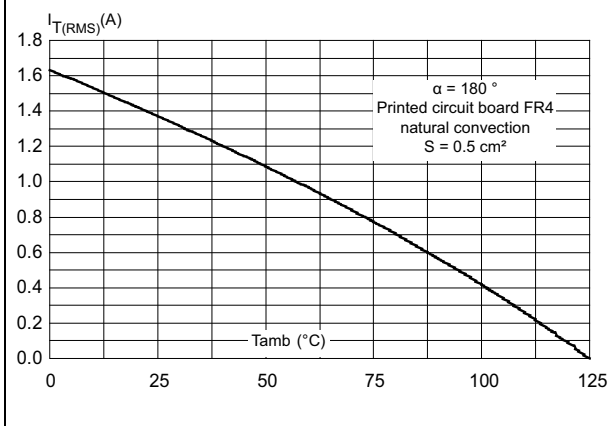


Figure 5. Relative variation of thermal impedance versus pulse duration

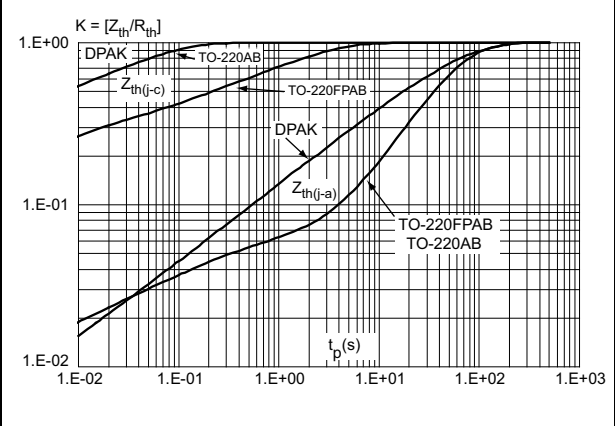


Figure 6. Relative variation of gate trigger, holding and latching current versus junction temperature

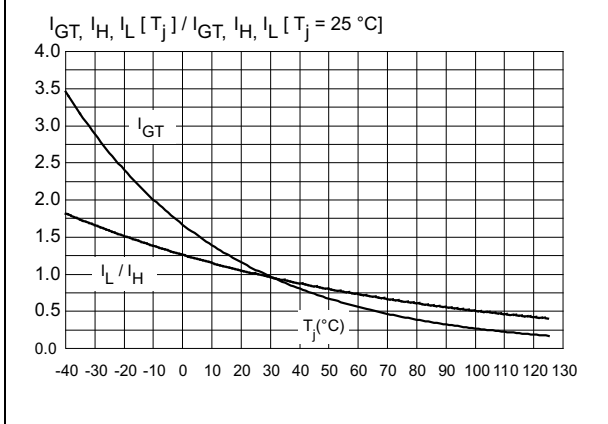


Figure 7. Relative variation of static dV/dt versus junction temperature

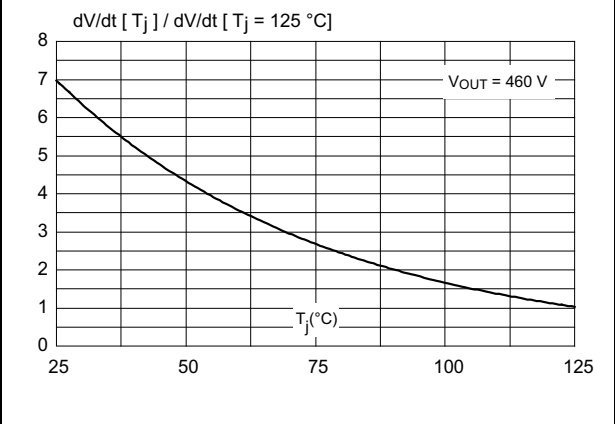


Figure 8. Relative variation of critical rate of decrease of main current versus reappplied dV/dt (typical values)



Figure 9. Relative variation of critical rate of decrease of main current versus junction temperature



Figure 10. Surge peak on-state current versus number of cycles



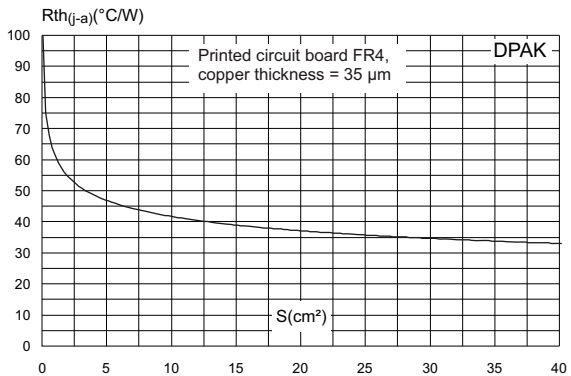
Figure 11. Non repetitive surge peak on-state current for a sinusoidal pulse with width tp < 10 ms



Figure 12. On-state characteristics (maximum values)



Figure 13. Thermal resistance junction to ambient versus copper surface under tab



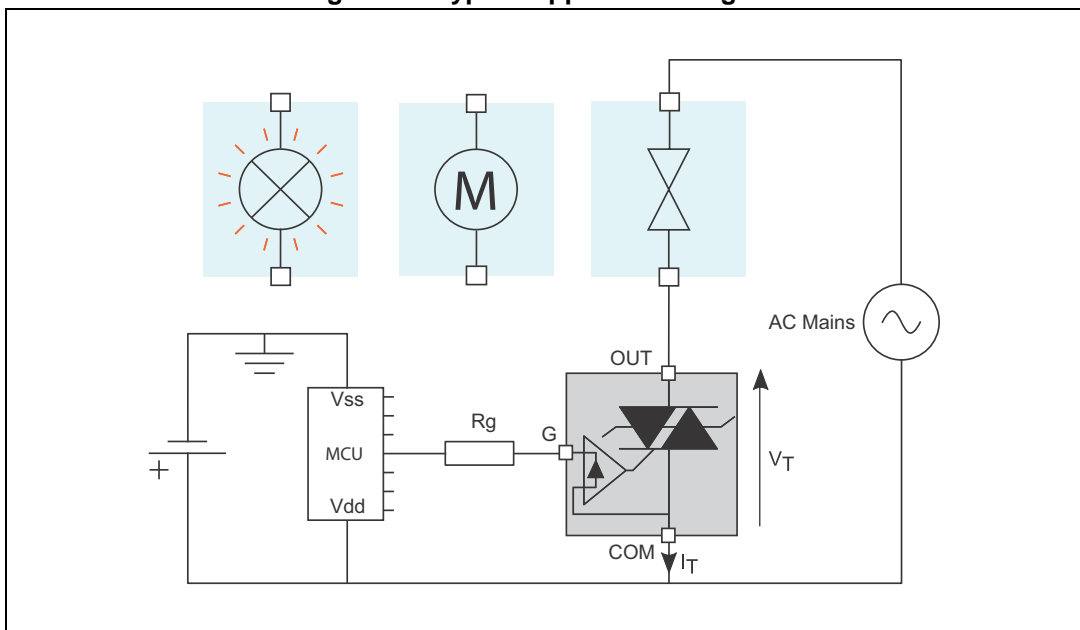
2 AC line switch basic application

The ACS120 device is well adapted to washing machine, dishwasher, tumble drier, refrigerator, air-conditioning systems, and cookware. It has been designed especially to switch on and off low power loads such as solenoid, valve, relay, dispenser, micro-motor, pump, fan and defrost heaters.

This AC switch is triggered by a negative gate current flowing out of the gate pin G. It can be driven directly by the digital MCU through a resistor as shown on the typical application diagram.

Thanks to its thermal and turn off commutation performance, the ACS120 switch can drive, with no additional turn off snubber, an inductive load up to 2 A.

Figure 14. Typical application diagram



2.1 Protection against overvoltage: the best choice is ACS

In comparison with standard Triacs the ACS120 is over-voltage self-protected, as specified by the new parameter V_{CL} . This feature is useful in two operating conditions: in case of turn off of very inductive load, and in case of surge voltage that can occur on the electrical network.

2.2 High inductive load switch-off: turn-off overvoltage clamping

With high inductive and low RMS current loads the rate of decrease of the current is very low. An overvoltage can occur when the gate current is removed and the OUT current is lower than I_H .

As shown in [Figure 15](#) and [Figure 16](#), at the end of the last conduction half-cycle, the load current decreases (1). The load current reaches the holding current level I_H (2), and the ACS turns off (3). The water valve, as an inductive load (up to 15 H), reacts as a current generator and an overvoltage is created, which is clamped by the ACS (4). The current flows through the ACS avalanche and decreases linearly to zero. During this time, the voltage across the switch is limited to the clamping voltage V_{CL} . The energy stored in the inductance of the load is dissipated in the clamping section that is designed for this purpose. When the energy has been dissipated, the ACS voltage falls back to the mains voltage value (230 V rms, 50 Hz) (5).



Note: Same working principle described in item 2.2 is valid for both current directions.

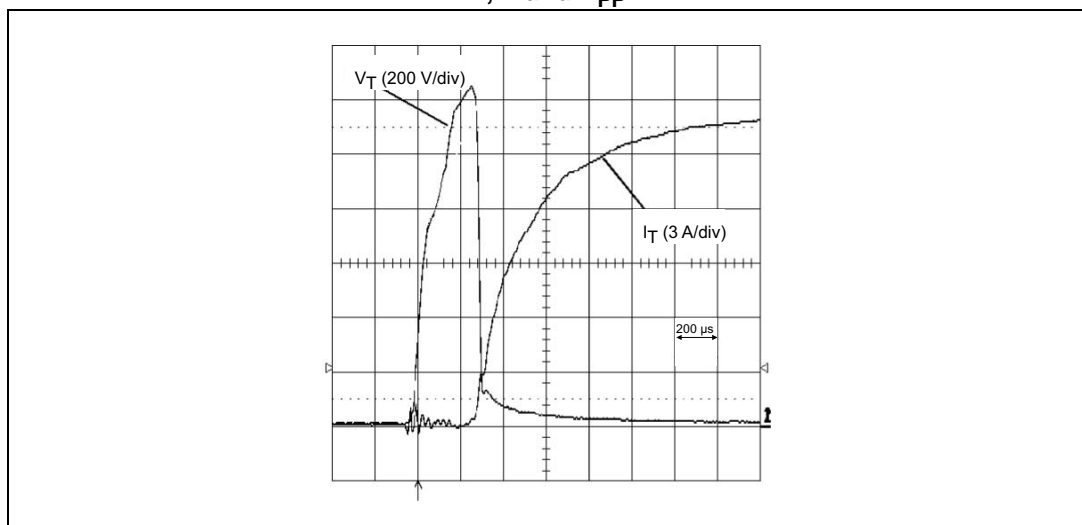
2.3 Alternating current mains transient voltage ruggedness

The ACS120 switch is able to withstand safely the AC mains transients either by clamping the low energy spikes or by breaking-over when subjected to high energy shocks, even with high turn-on current rises. The test circuit shown in *Figure 17* is representative of the final ACS120 application, and is also used to test the AC switch according to the IEC 61000-4-5 standard conditions. Thanks to the load limiting the current, the ACS120 switch withstands the voltage spikes up to 2 kV above the peak mains voltage. The protection is based on an overvoltage crowbar technology. Actually, the ACS120 breaks over safely as shown in *Figure 18*. The ACS120 recovers its blocking voltage capability after the surge (switch-off back at the next zero crossing of the current). Such non-repetitive tests can be done 10 times on each AC mains voltage polarity.

Figure 17. Overvoltage ruggedness test circuit for resistive and inductive loads



Figure 18. Current and voltage of the ACS120 during IEC 61000-4-5 standard test with R, L and V_{pp}



3 Package information

- Epoxy meets UL94-V0
- Lead-free package
- Recommended torque: 0.4 to 0.6 N·m (TO-220AB, TO-220FPAB)

In order to meet environmental requirements, ST offers these devices in different grades of ECOPACK® packages, depending on their level of environmental compliance. ECOPACK® specifications, grade definitions and product status are available at: www.st.com. ECOPACK® is an ST trademark.

3.1 TO-220FPAB package information

Figure 19. TO-220FPAB package outline

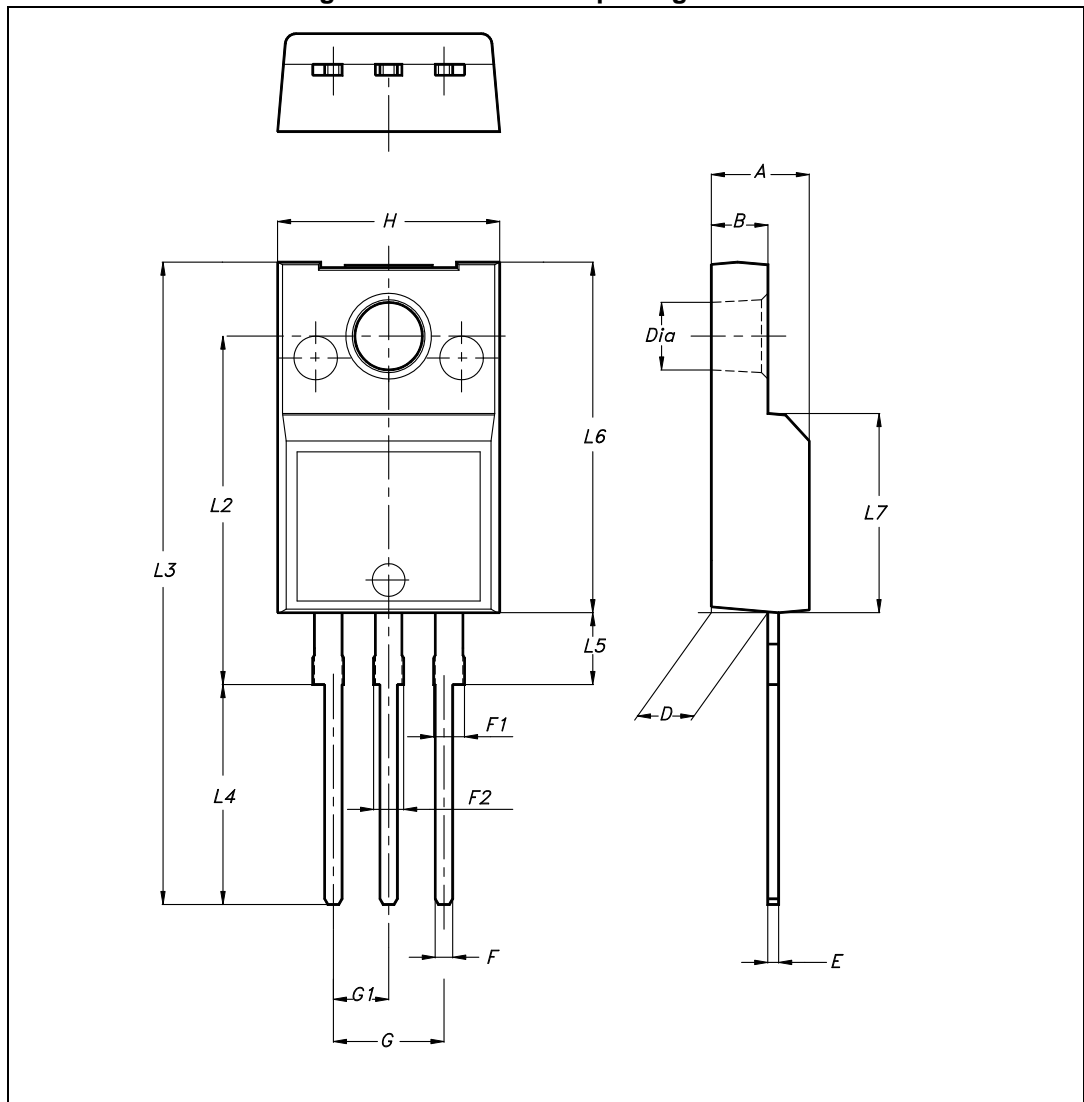


Table 6. TO-220FPAB package mechanical data

Ref.	Dimensions			
	Millimeters		Inches ⁽¹⁾	
	Min.	Max.	Min.	Max.
A	4.40	4.60	0.1732	0.1811
B	2.50	2.70	0.0984	0.1063
D	2.50	2.75	0.0984	0.1083
E	0.45	0.70	0.0177	0.0276
F	0.75	1.00	0.0295	0.0394
F1	1.15	1.70	0.0453	0.0669
F2	1.15	1.70	0.0453	0.0669
G	4.95	5.20	0.1949	0.2047
G1	2.40	2.70	0.0945	0.1063
H	10.00	10.40	0.3937	0.4094
L2	16.00 Typ.		0.6299 Typ.	
L3	28.60	30.60	1.1260	1.2047
L4	9.80	10.60	0.3858	0.4173
L5	2.90	3.60	0.1142	0.1417
L6	15.90	16.40	0.6260	0.6457
L7	9.00	9.30	0.3543	0.3661
Dia.	3.00	3.20	0.1181	0.1260

1. Inches only for reference.

3.2 DPAK package information

Figure 20. DPAK package outline



Note: This package drawing may slightly differ from the physical package. However, all the specified dimensions are guaranteed.

Table 7. DPAK package mechanical data

Ref.	Dimensions					
	Millimeters			Inches ⁽¹⁾		
	Min.	Typ.	Max.	Min.	Typ.	Max.
A	2.18		2.40	0.0858		0.0945
A1	0.9		1.10	0.0354		0.0433
A2	0.03		0.23	0.0012		0.0091
b	0.64		0.90	0.0252		0.0354
b4	4.95		5.46	0.1949		0.2150
c	0.46		0.61	0.0181		0.0236
c2	0.46		0.60	0.0181		0.0236
D	5.97		6.22	0.2350		0.2449
D1	4.95		5.60	0.1949		0.2205
E	6.35		6.73	0.2500		0.2650
E1	4.32		5.50	0.1701		0.2165
e		2.286			0.0900	
e1	4.40		4.70	0.1732		0.1850
H	9.35		10.40	0.3681		0.4094
L	1.0		1.78	0.0394		0.0701
L2			1.27			0.0500
L4	0.6		1.02	0.0236		0.0402
V2	-8°		+8°	-8°		+8°

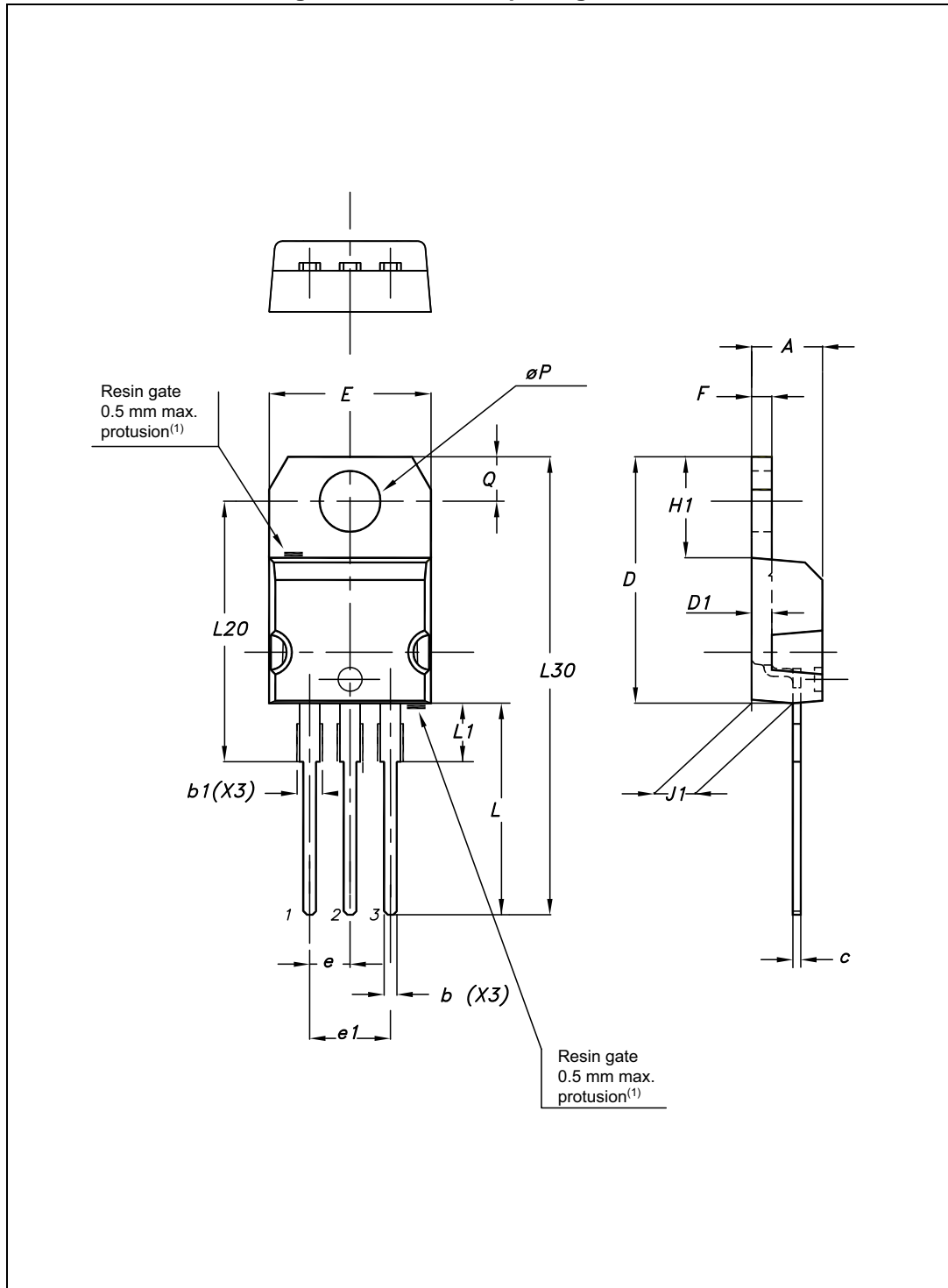
1. Inches only for reference.

Figure 21. Footprint (dimensions in mm)



3.3 TO-220AB package information

Figure 22. TO-220AB package outline



1. Resin gate position accepted in each of the two position as well as the symmetrical opposites.

Table 8. TO-220AB package mechanical data

Ref.	Dimensions			
	Millimeters		Inches ⁽¹⁾	
	Min.	Max.	Min.	Max.
A	4.40	4.60	0.1732	0.1811
b	0.61	0.88	0.0240	0.0346
b1	1.14	1.70	0.0449	0.0669
c	0.48	0.70	0.0189	0.0276
D	15.25	15.75	0.6004	0.6201
D1	1.27 typ.		0.05 typ.	
E	10.00	10.40	0.3937	0.4094
e	2.40	2.70	0.0945	0.1063
e1	4.95	5.15	0.1949	0.2028
F	1.23	1.32	0.0484	0.0520
H1	6.20	6.60	0.2441	0.2598
J1	2.40	2.72	0.0945	0.1071
L	13.00	14.00	0.5118	0.5512
L1	3.50	3.93	0.1378	0.1547
L20	16.40 typ.		0.6457 typ.	
L30	28.90 typ.		1.1378 typ.	
∅P	3.75	3.85	0.1476	0.1516
Q	2.65	2.95	0.1043	0.1161

1. Inches only for reference.

4 Ordering information

Figure 23. Ordering information scheme

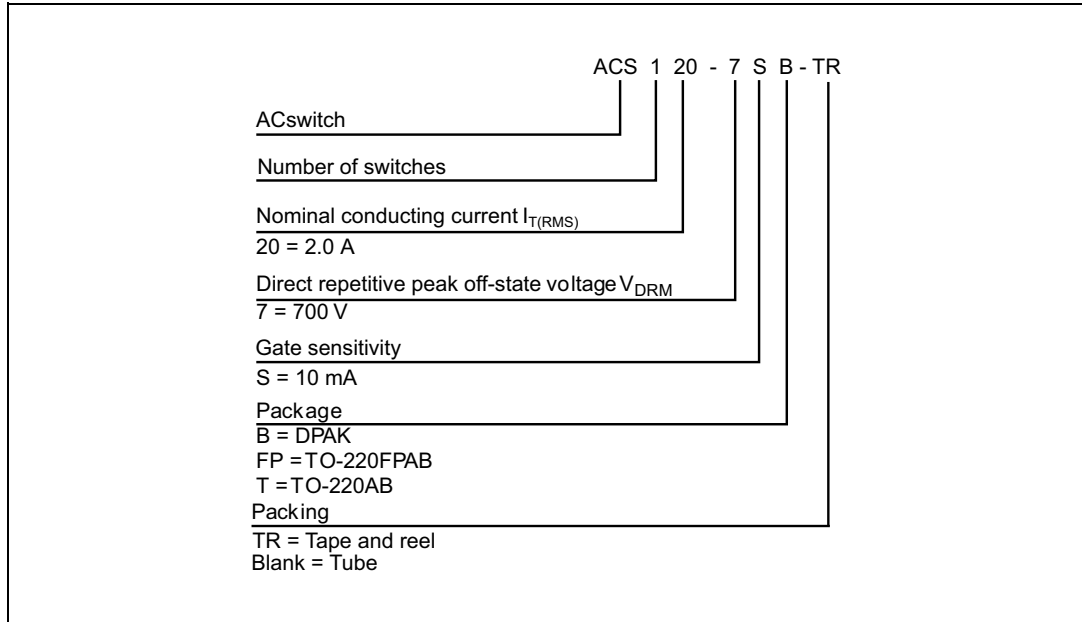


Table 9. Ordering information

Order code	Marking	Package	Weight	Base Qty	Packing mode
ACS120-7SB	ACS1207S	DPAK	0.32 g	75	Tube
ACS120-7SB-TR	ACS1207S	DPAK	0.32 g	2500	Tape and reel
ACS120-7SFP	ACS1207S	TO-220FPAB	1.9 g	50	Tube
ACS120-7ST	ACS1207S	TO-220AB	1.9 g	50	Tube

5 Revision history

Table 10. Document revision history

Date	Revision	Changes
Apr-2004	1	Previous release.
28-Jan-2011	2	Added ECOPACK statement. Updated T_C values in Table 1.
28-May-2014	3	Updated DPAK package information and reformatted to current standard.
02-May-2016	4	Added pin name on cover page package view and reformatted to current standard.

IMPORTANT NOTICE – PLEASE READ CAREFULLY

STMicroelectronics NV and its subsidiaries (“ST”) reserve the right to make changes, corrections, enhancements, modifications, and improvements to ST products and/or to this document at any time without notice. Purchasers should obtain the latest relevant information on ST products before placing orders. ST products are sold pursuant to ST’s terms and conditions of sale in place at the time of order acknowledgement.

Purchasers are solely responsible for the choice, selection, and use of ST products and ST assumes no liability for application assistance or the design of Purchasers’ products.

No license, express or implied, to any intellectual property right is granted by ST herein.

Resale of ST products with provisions different from the information set forth herein shall void any warranty granted by ST for such product.

ST and the ST logo are trademarks of ST. All other product or service names are the property of their respective owners.

Information in this document supersedes and replaces information previously supplied in any prior versions of this document.

© 2016 STMicroelectronics – All rights reserved

Компания «Life Electronics» занимается поставками электронных компонентов импортного и отечественного производства от производителей и со складов крупных дистрибьюторов Европы, Америки и Азии.

С конца 2013 года компания активно расширяет линейку поставок компонентов по направлению коаксиальный кабель, кварцевые генераторы и конденсаторы (керамические, пленочные, электролитические), за счёт заключения дистрибьюторских договоров

Мы предлагаем:

- Конкурентоспособные цены и скидки постоянным клиентам.
- Специальные условия для постоянных клиентов.
- Подбор аналогов.
- Поставку компонентов в любых объемах, удовлетворяющих вашим потребностям.
- Приемлемые сроки поставки, возможна ускоренная поставка.
- Доставку товара в любую точку России и стран СНГ.
- Комплексную поставку.
- Работу по проектам и поставку образцов.
- Формирование склада под заказчика.
- Сертификаты соответствия на поставляемую продукцию (по желанию клиента).
- Тестирование поставляемой продукции.
- Поставку компонентов, требующих военную и космическую приемку.
- Входной контроль качества.
- Наличие сертификата ISO.

В составе нашей компании организован Конструкторский отдел, призванный помогать разработчикам, и инженерам.

Конструкторский отдел помогает осуществить:

- Регистрацию проекта у производителя компонентов.
- Техническую поддержку проекта.
- Защиту от снятия компонента с производства.
- Оценку стоимости проекта по компонентам.
- Изготовление тестовой платы монтаж и пусконаладочные работы.



Тел: +7 (812) 336 43 04 (многоканальный)

Email: org@lifeelectronics.ru