

74LV4053

Triple single-pole double-throw analog switch

Rev. 6 — 17 March 2016

Product data sheet

1. General description

The 74LV4053 is a triple single-pole double-throw (SPDT) analog switch, suitable for use as an analog or digital multiplexer/demultiplexer. It is a low-voltage Si-gate CMOS device and is pin and function compatible with the 74HC4053 and 74HCT4053. Each switch has a digital select input (S_n), two independent inputs/outputs (nY_0 and nY_1) and a common input/output (nZ). All three switches share an enable input (\bar{E}). A HIGH on \bar{E} causes all switches into the high-impedance OFF-state, independent of S_n .

V_{CC} and GND are the supply voltage connections for the digital control inputs (S_n and \bar{E}). The V_{CC} to GND range is 1 V to 6 V. The analog inputs/outputs (nY_0 , nY_1 and nZ) can swing between V_{CC} as a positive limit and V_{EE} as a negative limit. $V_{CC} - V_{EE}$ may not exceed 6 V. For operation as a digital multiplexer/demultiplexer, V_{EE} is connected to GND (typically ground). V_{EE} and V_{SS} are the supply voltage connections for the switches.

2. Features and benefits

- Optimized for low-voltage applications: 1.0 V to 3.6 V
- Accepts TTL input levels between $V_{CC} = 2.7$ V and $V_{CC} = 3.6$ V
- Low ON resistance:
 - ◆ 180 Ω (typical) at $V_{CC} - V_{EE} = 2.0$ V
 - ◆ 100 Ω (typical) at $V_{CC} - V_{EE} = 3.0$ V
 - ◆ 75 Ω (typical) at $V_{CC} - V_{EE} = 4.5$ V
- Logic level translation:
 - ◆ To enable 3 V logic to communicate with ± 3 V analog signals
- Typical 'break before make' built in
- ESD protection:
 - ◆ HBM JESD22-A114-C exceeds 2000 V
 - ◆ MM JESD22-A115-A exceeds 200 V
- Multiple package options
- Specified from -40 °C to $+85$ °C and from -40 °C to $+125$ °C

3. Ordering information

Table 1. Ordering information

| Type number | Package | | | Version |
|-------------|-------------------|----------|--|----------|
| | Temperature range | Name | Description | |
| 74LV4053D | -40 °C to +125 °C | SO16 | plastic small outline package; 16 leads; body width 3.9 mm | SOT109-1 |
| 74LV4053DB | -40 °C to +125 °C | SSOP16 | plastic shrink small outline package; 16 leads; body width 5.3 mm | SOT338-1 |
| 74LV4053PW | -40 °C to +125 °C | TSSOP16 | plastic thin shrink small outline package; 16 leads; body width 4.4 mm | SOT403-1 |
| 74LV4053BQ | -40 °C to +125 °C | DHVQFN16 | plastic dual-in line compatible thermal enhanced very thin quad flat package; no leads; 16 terminals; body 2.5 × 3.5 × 0.85 mm | SOT763-1 |

4. Functional diagram

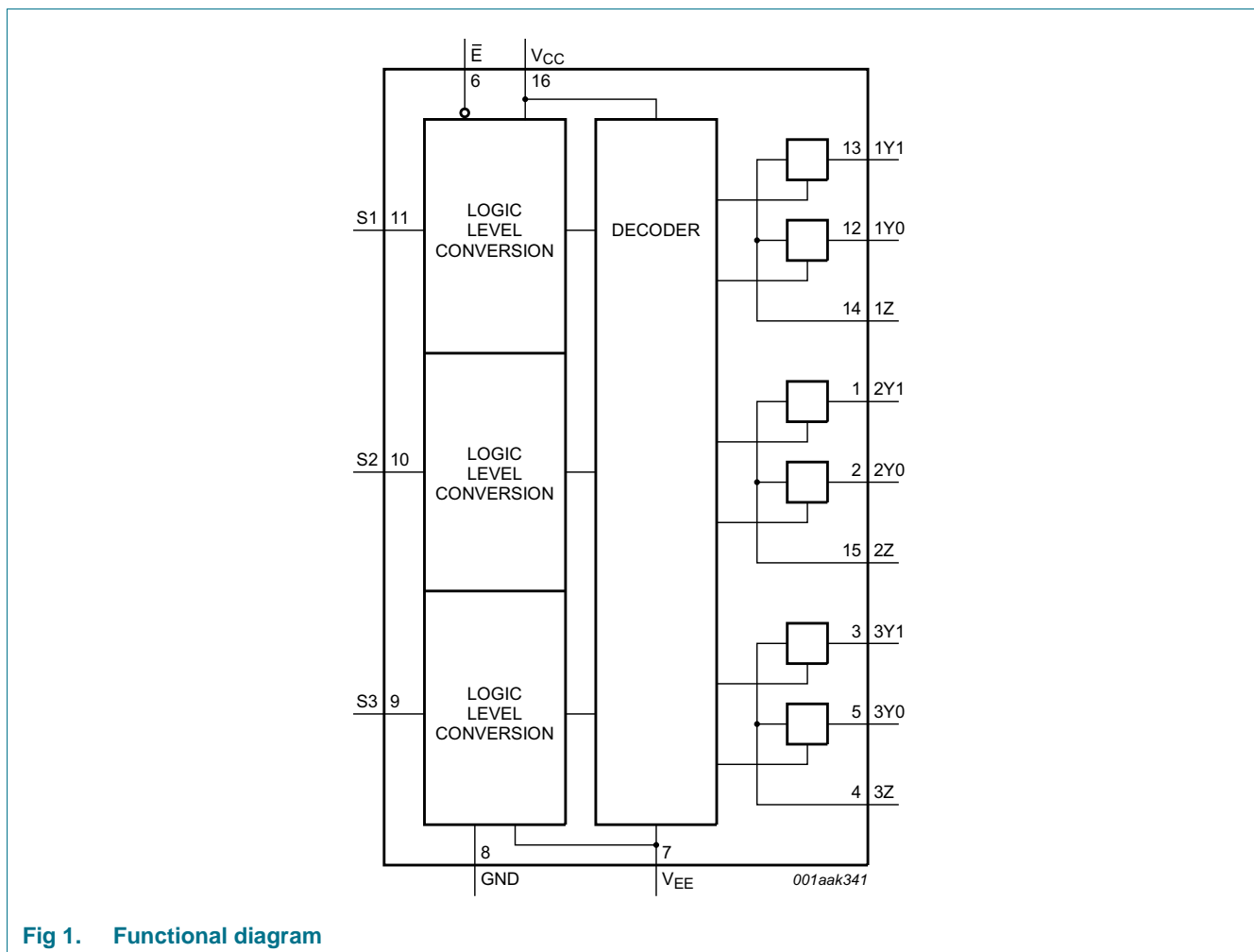


Fig 1. Functional diagram

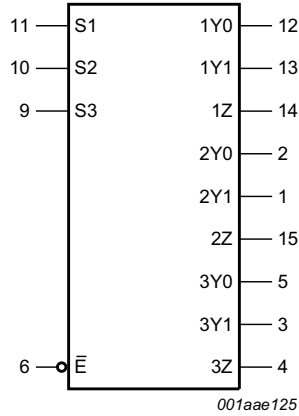


Fig 2. Logic symbol

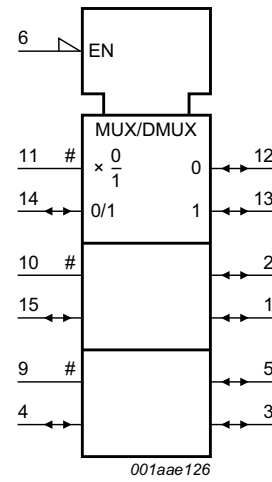


Fig 3. IEC logic symbol

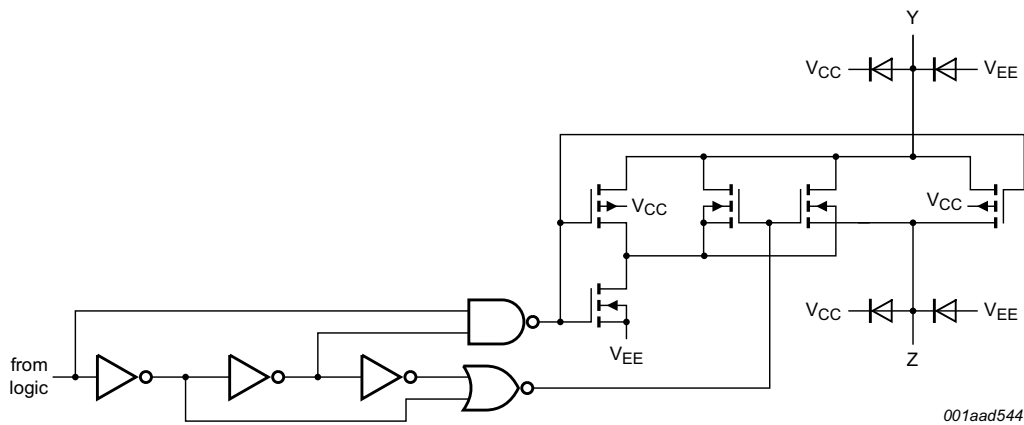
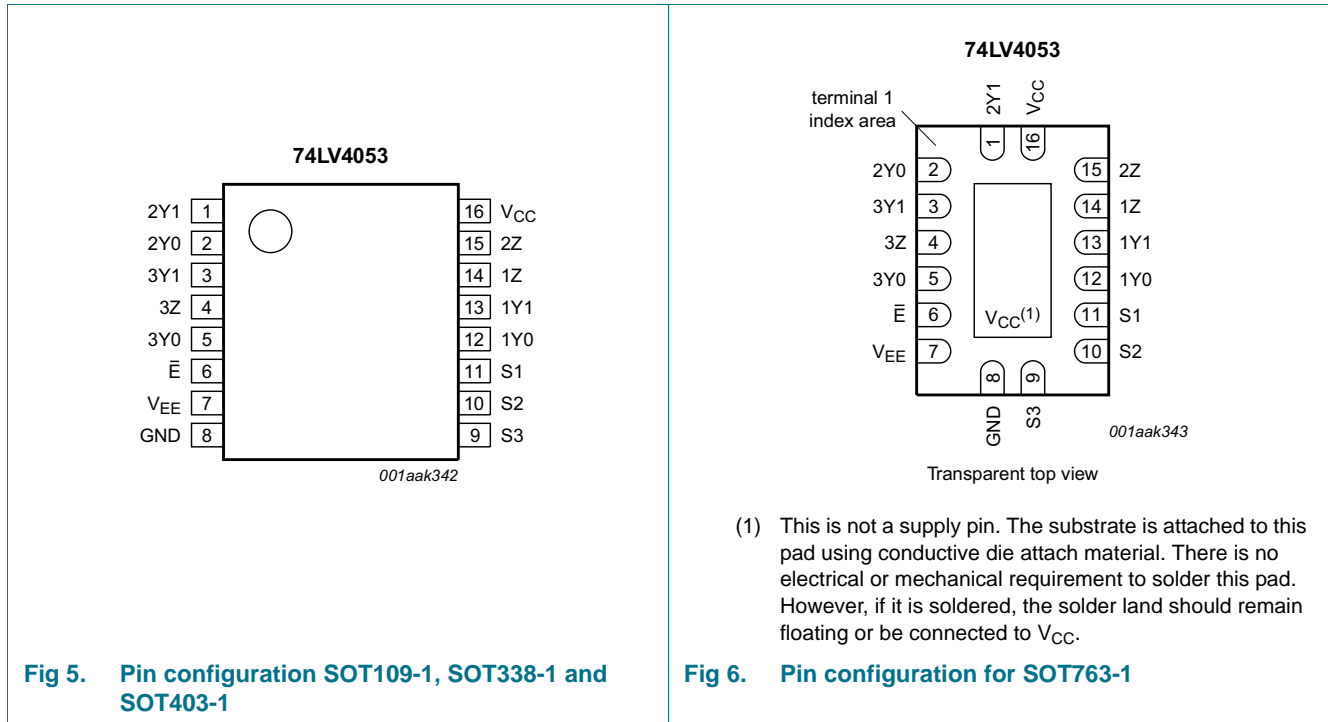


Fig 4. Schematic diagram (one switch)

5. Pinning information

5.1 Pinning



5.2 Pin description

Table 2. Pin description

| Symbol | Pin | Description |
|-----------------|-----------|-----------------------------|
| \bar{E} | 6 | enable input (active LOW) |
| V _{EE} | 7 | supply voltage |
| GND | 8 | ground supply voltage |
| S1, S2, S3 | 11, 10, 9 | select input |
| 1Y0, 2Y0, 3Y0 | 12, 2, 5 | independent input or output |
| 1Y1, 2Y1, 3Y1 | 13, 1, 3 | independent input or output |
| 1Z, 2Z, 3Z | 14, 15, 4 | common output or input |
| V _{CC} | 16 | supply voltage |

6. Functional description

Table 3. Function table [1]

| Inputs | | Channel on |
|-----------|----|--------------|
| \bar{E} | Sn | |
| L | L | nY0 to nZ |
| L | H | nY1 to nZ |
| H | X | switches off |

[1] H = HIGH voltage level; L = LOW voltage level; X = don't care.

7. Limiting values

Table 4. Limiting values

In accordance with the Absolute Maximum Rating System (IEC 60134). Voltages are referenced to $V_{SS} = 0$ V (ground).

| Symbol | Parameter | Conditions | Min | Max | Unit |
|-----------|-------------------------|--|------|----------|------|
| V_{CC} | supply voltage | [1] | -0.5 | +7.0 | V |
| I_{IK} | input clamping current | $V_I < -0.5$ V or $V_I > V_{CC} + 0.5$ V [2] | - | ± 20 | mA |
| I_{SK} | switch clamping current | $V_{SW} < -0.5$ V or $V_{SW} > V_{CC} + 0.5$ V [2] | - | ± 20 | mA |
| I_{SW} | switch current | $V_{SW} > -0.5$ V or $V_{SW} < V_{CC} + 0.5$ V; source or sink current [2] | - | ± 25 | mA |
| T_{stg} | storage temperature | | -65 | +150 | °C |
| P_{tot} | total power dissipation | $T_{amb} = -40$ °C to +125 °C [3] | | | |
| | | DIP16 package | - | 750 | mW |
| | | SO16 package | - | 500 | mW |
| | | TSSOP16 package | - | 500 | mW |
| | | DHVQFN16 package | - | 500 | mW |

- [1] To avoid drawing V_{CC} current out of terminal nZ, when switch current flows into terminals nYn, the voltage drop across the bidirectional switch must not exceed 0.4 V. If the switch current flows into terminal nZ, no V_{CC} current will flow out of terminals nYn, and in this case there is no limit for the voltage drop across the switch, but the voltages at nYn and nZ may not exceed V_{CC} or V_{EE} .
- [2] The minimum input voltage rating may be exceeded if the input current rating is observed.
- [3] For DIP16 packages: above 70 °C the value of P_{tot} derates linearly with 12 mW/K.
 For SO16 packages: above 70 °C the value of P_{tot} derates linearly with 8 mW/K.
 For SSOP16 and TSSOP16 packages: above 60 °C the value of P_{tot} derates linearly with 5.5 mW/K.
 For DHVQFN16 packages: above 60 °C the value of P_{tot} derates linearly with 4.5 mW/K.

8. Recommended operating conditions

Table 5. Recommended operating conditions

| Symbol | Parameter | Conditions | Min | Typ | Max | Unit |
|---------------------|-------------------------------------|--|-----|-----|----------|------|
| V_{CC} | supply voltage | see Figure 7 | 1 | 3.3 | 6 | V |
| V_I | input voltage | | 0 | - | V_{CC} | V |
| V_{SW} | switch voltage | | 0 | - | V_{CC} | V |
| T_{amb} | ambient temperature | in free air | -40 | - | +125 | °C |
| $\Delta t/\Delta V$ | input transition rise and fall rate | $V_{CC} = 1.0 \text{ V to } 2.0 \text{ V}$ | - | - | 500 | ns/V |
| | | $V_{CC} = 2.0 \text{ V to } 2.7 \text{ V}$ | - | - | 200 | ns/V |
| | | $V_{CC} = 2.7 \text{ V to } 3.6 \text{ V}$ | - | - | 100 | ns/V |

[1] The static characteristics are guaranteed from $V_{CC} = 1.2 \text{ V to } 6.0 \text{ V}$, but LV devices are guaranteed to function down to $V_{CC} = 1.0 \text{ V}$ (with input levels GND or V_{CC}).

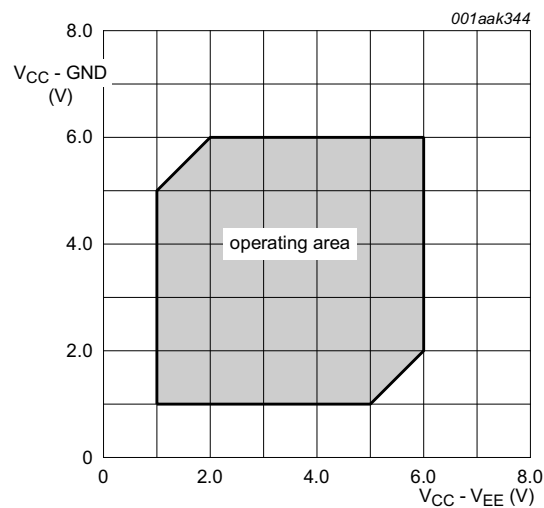


Fig 7. Guaranteed operating area as a function of the supply voltages

9. Static characteristics

Table 6. Static characteristics

At recommended operating conditions. Voltages are referenced to GND (ground = 0 V).

| Symbol | Parameter | Conditions | -40 °C to +85 °C | | | -40 °C to +125 °C | | Unit |
|---------------------|---------------------------|--|------------------|--------------------|------|-------------------|------|------|
| | | | Min | Typ ^[1] | Max | Min | Max | |
| V _{IH} | HIGH-level input voltage | V _{CC} = 1.2 V | 0.9 | - | - | 0.9 | - | V |
| | | V _{CC} = 2.0 V | 1.4 | - | - | 1.4 | - | V |
| | | V _{CC} = 2.7 V to 3.6 V | 2.0 | - | - | 2.0 | - | V |
| | | V _{CC} = 4.5 V | 3.15 | - | - | 3.15 | - | V |
| | | V _{CC} = 6.0 V | 4.20 | - | - | 4.20 | - | V |
| V _{IL} | LOW-level input voltage | V _{CC} = 1.2 V | - | - | 0.3 | - | 0.3 | V |
| | | V _{CC} = 2.0 V | - | - | 0.6 | - | 0.6 | V |
| | | V _{CC} = 2.7 V to 3.6 V | - | - | 0.8 | - | 0.8 | V |
| | | V _{CC} = 4.5 V | - | - | 1.35 | - | 1.35 | V |
| | | V _{CC} = 6.0 V | - | - | 1.80 | - | 1.80 | V |
| I _I | input leakage current | V _I = V _{CC} or GND | | | | | | |
| | | V _{CC} = 3.6 V | - | - | 1.0 | - | 1.0 | μA |
| | | V _{CC} = 6.0 V | - | - | 2.0 | - | 2.0 | μA |
| I _{S(OFF)} | OFF-state leakage current | V _I = V _{IH} or V _{IL} ; see Figure 8 | | | | | | |
| | | V _{CC} = 3.6 V | - | - | 1.0 | - | 1.0 | μA |
| | | V _{CC} = 6.0 V | - | - | 2.0 | - | 2.0 | μA |
| I _{S(ON)} | ON-state leakage current | V _I = V _{IH} or V _{IL} ; see Figure 9 | | | | | | |
| | | V _{CC} = 3.6 V | - | - | 1.0 | - | 1.0 | μA |
| | | V _{CC} = 6.0 V | - | - | 2.0 | - | 2.0 | μA |
| I _{CC} | supply current | V _I = V _{CC} or GND; I _O = 0 A | | | | | | |
| | | V _{CC} = 3.6 V | - | - | 20 | - | 40 | μA |
| | | V _{CC} = 6.0 V | - | - | 40 | - | 80 | μA |
| ΔI _{CC} | additional supply current | per input; V _I = V _{CC} - 0.6 V; V _{CC} = 2.7 V to 3.6 V | - | - | 500 | - | 850 | μA |
| C _I | input capacitance | | - | 3.5 | - | - | - | pF |
| C _{sw} | switch capacitance | independent pins nYn | - | 5 | - | - | - | pF |
| | | common pins nZ | - | 8 | - | - | - | pF |

[1] Typical values are measured at T_{amb} = 25 °C.

9.1 Test circuits

001aak345

$V_I = V_{CC}$ or V_{EE} and $V_O = V_{EE}$ or V_{CC} .

Fig 8. Test circuit for measuring OFF-state leakage current

001aak346

$V_I = V_{CC}$ or V_{EE} and $V_O =$ open circuit.

Fig 9. Test circuit for measuring ON-state leakage current

9.2 ON resistance

Table 7. ON resistance

At recommended operating conditions; voltages are referenced to GND (ground = 0 V); for graphs see [Figure 10](#) and [Figure 11](#).

| Symbol | Parameter | Conditions | -40 °C to +85 °C | | | -40 °C to +125 °C | | Unit |
|-----------------------|---|---|------------------|--------------------|-----|-------------------|-----|----------|
| | | | Min | Typ ^[1] | Max | Min | Max | |
| R _{ON(peak)} | ON resistance (peak) | $V_I = 0\text{ V to }V_{CC} - V_{EE}$ | | | | | | |
| | | $V_{CC} = 1.2\text{ V}; I_{SW} = 100\text{ }\mu\text{A}$ [2] | - | - | - | - | - | Ω |
| | | $V_{CC} = 2.0\text{ V}; I_{SW} = 1000\text{ }\mu\text{A}$ | - | 180 | 365 | - | 435 | Ω |
| | | $V_{CC} = 2.7\text{ V}; I_{SW} = 1000\text{ }\mu\text{A}$ | - | 115 | 225 | - | 270 | Ω |
| | | $V_{CC} = 3.0\text{ V to }3.6\text{ V}; I_{SW} = 1000\text{ }\mu\text{A}$ | - | 100 | 200 | - | 245 | Ω |
| | | $V_{CC} = 4.5\text{ V}; I_{SW} = 1000\text{ }\mu\text{A}$ | - | 75 | 150 | - | 180 | Ω |
| | | $V_{CC} = 6.0\text{ V}; I_{SW} = 1000\text{ }\mu\text{A}$ | - | 70 | 140 | - | 165 | Ω |
| ΔR_{ON} | ON resistance mismatch between channels | $V_I = 0\text{ V to }V_{CC} - V_{EE}$ | | | | | | |
| | | $V_{CC} = 1.2\text{ V}; I_{SW} = 100\text{ }\mu\text{A}$ [2] | - | - | - | - | - | Ω |
| | | $V_{CC} = 2.0\text{ V}; I_{SW} = 1000\text{ }\mu\text{A}$ | - | 5 | - | - | - | Ω |
| | | $V_{CC} = 2.7\text{ V}; I_{SW} = 1000\text{ }\mu\text{A}$ | - | 4 | - | - | - | Ω |
| | | $V_{CC} = 3.0\text{ V to }3.6\text{ V}; I_{SW} = 1000\text{ }\mu\text{A}$ | - | 4 | - | - | - | Ω |
| | | $V_{CC} = 4.5\text{ V}; I_{SW} = 1000\text{ }\mu\text{A}$ | - | 3 | - | - | - | Ω |
| | | $V_{CC} = 6.0\text{ V}; I_{SW} = 1000\text{ }\mu\text{A}$ | - | 2 | - | - | - | Ω |

Table 7. ON resistance ...continued

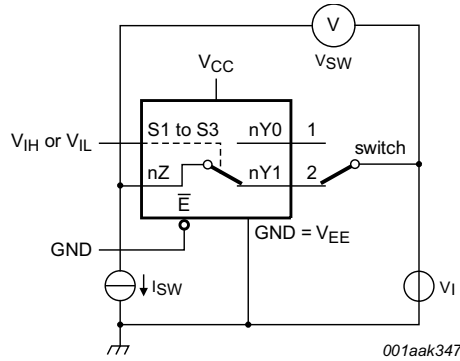
At recommended operating conditions; voltages are referenced to GND (ground = 0 V); for graphs see [Figure 10](#) and [Figure 11](#).

| Symbol | Parameter | Conditions | -40 °C to +85 °C | | | -40 °C to +125 °C | | Unit |
|-----------------------|----------------------|--|------------------|--------------------|-----|-------------------|-----|------|
| | | | Min | Typ ^[1] | Max | Min | Max | |
| R _{ON(rail)} | ON resistance (rail) | V _I = GND | | | | | | |
| | | V _{CC} = 1.2 V; I _{SW} = 100 μA ^[2] | - | 250 | - | - | - | Ω |
| | | V _{CC} = 2.0 V; I _{SW} = 1000 μA | - | 120 | 280 | - | 325 | Ω |
| | | V _{CC} = 2.7 V; I _{SW} = 1000 μA | - | 75 | 170 | - | 195 | Ω |
| | | V _{CC} = 3.0 V to 3.6 V; I _{SW} = 1000 μA | - | 70 | 155 | - | 180 | Ω |
| | | V _{CC} = 4.5 V; I _{SW} = 1000 μA | - | 50 | 120 | - | 135 | Ω |
| | | V _{CC} = 6.0 V; I _{SW} = 1000 μA | - | 45 | 105 | - | 120 | Ω |
| R _{ON(rail)} | ON resistance (rail) | V _I = V _{CC} - V _{EE} | | | | | | |
| | | V _{CC} = 1.2 V; I _{SW} = 100 μA ^[2] | - | 350 | - | - | - | Ω |
| | | V _{CC} = 2.0 V; I _{SW} = 1000 μA | - | 170 | 340 | - | 400 | Ω |
| | | V _{CC} = 2.7 V; I _{SW} = 1000 μA | - | 105 | 210 | - | 250 | Ω |
| | | V _{CC} = 3.0 V to 3.6 V; I _{SW} = 1000 μA | - | 95 | 190 | - | 225 | Ω |
| | | V _{CC} = 4.5 V; I _{SW} = 1000 μA | - | 70 | 140 | - | 165 | Ω |
| | | V _{CC} = 6.0 V; I _{SW} = 1000 μA | - | 65 | 125 | - | 150 | Ω |

[1] Typical values are measured at T_{amb} = 25 °C.

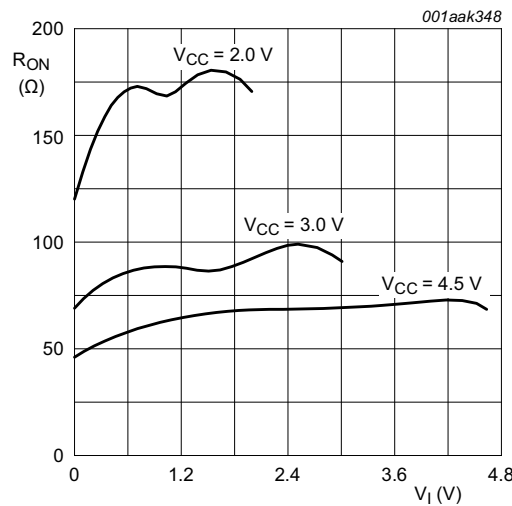
[2] When supply voltages (V_{CC} - V_{EE}) near 1.2 V the analog switch ON resistance becomes extremely non-linear. When using a supply of 1.2 V, it is recommended to use these devices only for transmitting digital signals.

9.3 On resistance waveform and test circuit



$$R_{ON} = V_{SW} / I_{SW}$$

Fig 10. Test circuit for measuring R_{ON}



$V_i = 0\text{ V to }V_{CC} - V_{EE}$

Fig 11. Typical R_{ON} as a function of input voltage

10. Dynamic characteristics

Table 8. Dynamic characteristics

Voltages are referenced to GND (ground = 0 V). For test circuit see [Figure 14](#).

| Symbol | Parameter | Conditions | -40 °C to +85 °C | | | -40 °C to +125 °C | | Unit |
|-----------------|-------------------|---|------------------|--------------------|-----|-------------------|-----|------|
| | | | Min | Typ ^[1] | Max | Min | Max | |
| t _{pd} | propagation delay | nYn, nZ to nZ, nYn; see Figure 12 ^[2] | | | | | | |
| | | V _{CC} = 1.2 V | - | 25 | - | - | - | ns |
| | | V _{CC} = 2.0 V | - | 9 | 17 | - | 20 | ns |
| | | V _{CC} = 2.7 V | - | 6 | 13 | - | 15 | ns |
| | | V _{CC} = 3.0 V to 3.6 V ^[3] | - | 5 | 10 | - | 12 | ns |
| | | V _{CC} = 4.5 V | - | 4 | 9 | - | 10 | ns |
| | | V _{CC} = 6.0 V | - | 3 | 7 | - | 8 | ns |
| t _{en} | enable time | \bar{E} to nYn, nZ; see Figure 13 ^[2] | | | | | | |
| | | V _{CC} = 1.2 V | - | 100 | - | - | - | ns |
| | | V _{CC} = 2.0 V | - | 34 | 65 | - | 77 | ns |
| | | V _{CC} = 2.7 V | - | 25 | 48 | - | 56 | ns |
| | | V _{CC} = 3.0 V to 3.6 V; C _L = 15 pF ^[3] | - | 16 | - | - | - | ns |
| | | V _{CC} = 3.0 V to 3.6 V ^[3] | - | 19 | 38 | - | 45 | ns |
| | | V _{CC} = 4.5 V | - | 17 | 32 | - | 38 | ns |
| | | V _{CC} = 6.0 V | - | 13 | 25 | - | 29 | ns |
| | | Sn to nYn, nZ; see Figure 13 ^[2] | | | | | | |
| | | V _{CC} = 1.2 V | - | 125 | - | - | - | ns |
| | | V _{CC} = 2.0 V | - | 43 | 82 | - | 97 | ns |
| | | V _{CC} = 2.7 V | - | 31 | 60 | - | 71 | ns |
| | | V _{CC} = 3.0 V to 3.6 V; C _L = 15 pF ^[3] | - | 20 | - | - | - | ns |
| | | V _{CC} = 3.0 V to 3.6 V ^[3] | - | 24 | 48 | - | 57 | ns |
| | | V _{CC} = 4.5 V | - | 21 | 41 | - | 48 | ns |
| | | V _{CC} = 6.0 V | - | 16 | 31 | - | 37 | ns |

Table 8. Dynamic characteristics ...continued

Voltages are referenced to GND (ground = 0 V). For test circuit see [Figure 14](#).

| Symbol | Parameter | Conditions | -40 °C to +85 °C | | | -40 °C to +125 °C | | Unit |
|-------------------------|-------------------------------|--|------------------|--------------------|-----|-------------------|-----|------|
| | | | Min | Typ ^[1] | Max | Min | Max | |
| t _{dis} | disable time | \bar{E} to nYn, nZ; see Figure 13 ^[2] | | | | | | |
| | | V _{CC} = 1.2 V | - | 95 | - | - | - | ns |
| | | V _{CC} = 2.0 V | - | 34 | 61 | - | 73 | ns |
| | | V _{CC} = 2.7 V | - | 26 | 46 | - | 54 | ns |
| | | V _{CC} = 3.0 V to 3.6 V; C _L = 15 pF ^[3] | - | 17 | - | - | - | ns |
| | | V _{CC} = 3.0 V to 3.6 V ^[3] | - | 20 | 37 | - | 44 | ns |
| | | V _{CC} = 4.5 V | - | 18 | 32 | - | 38 | ns |
| | | V _{CC} = 6.0 V | - | 15 | 25 | - | 30 | ns |
| | | Sn to nYn, nZ; see Figure 13 ^[2] | | | | | | |
| | | V _{CC} = 1.2 V | - | 90 | - | - | - | ns |
| | | V _{CC} = 2.0 V | - | 32 | 59 | - | 70 | ns |
| | | V _{CC} = 2.7 V | - | 24 | 44 | - | 52 | ns |
| | | V _{CC} = 3.0 V to 3.6 V; C _L = 15 pF ^[3] | - | 16 | - | - | - | ns |
| | | V _{CC} = 3.0 V to 3.6 V ^[3] | - | 19 | 36 | - | 42 | ns |
| V _{CC} = 4.5 V | - | 17 | 31 | - | 36 | ns | | |
| V _{CC} = 6.0 V | - | 14 | 24 | - | 28 | ns | | |
| C _{PD} | power dissipation capacitance | C _L = 50 pF; f _i = 1 MHz; V _I = GND to V _{CC} ^[4] | - | 36 | - | - | - | pF |

[1] All typical values are measured at T_{amb} = 25 °C.

[2] t_{pd} is the same as t_{PLH} and t_{PHL}.

t_{en} is the same as t_{PZL} and t_{PZH}.

t_{dis} is the same as t_{PLZ} and t_{PHZ}.

[3] Typical values are measured at nominal supply voltage (V_{CC} = 3.3 V).

[4] C_{PD} is used to determine the dynamic power dissipation (P_D in μW).

$P_D = C_{PD} \times V_{CC}^2 \times f_i \times N + \Sigma((C_L + C_{SW}) \times V_{CC}^2 \times f_o)$ where:

f_i = input frequency in MHz, f_o = output frequency in MHz

C_L = output load capacitance in pF

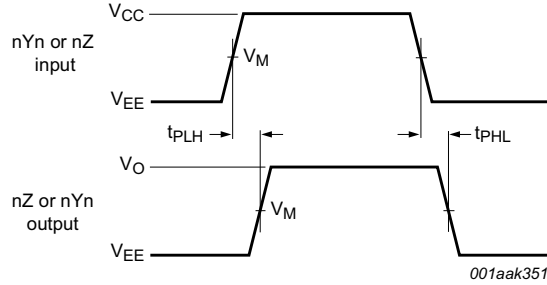
C_{SW} = maximum switch capacitance in pF;

V_{CC} = supply voltage in Volts

N = number of inputs switching

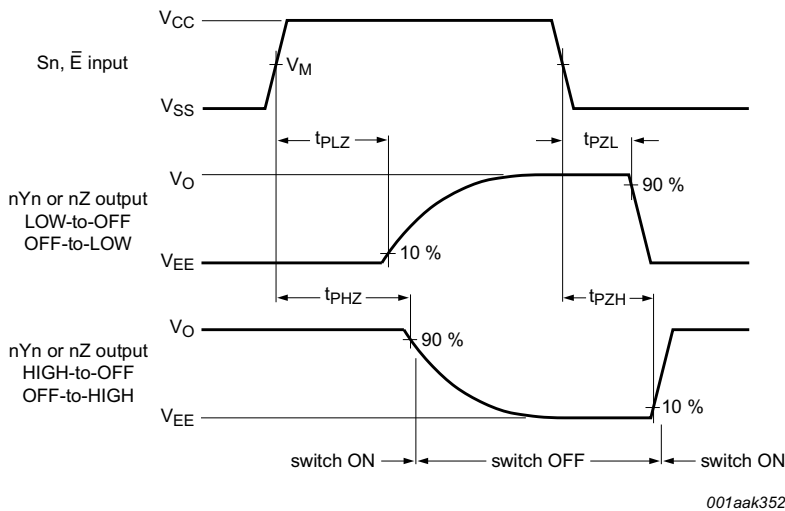
Σ(C_L × V_{CC}² × f_o) = sum of the outputs.

10.1 Waveforms



Measurement points are given in [Table 9](#).
 V_{OL} and V_{OH} are typical voltage output levels that occur with the output load.

Fig 12. Propagation delay input (nYn, nZ) to output (nZ, nYn)

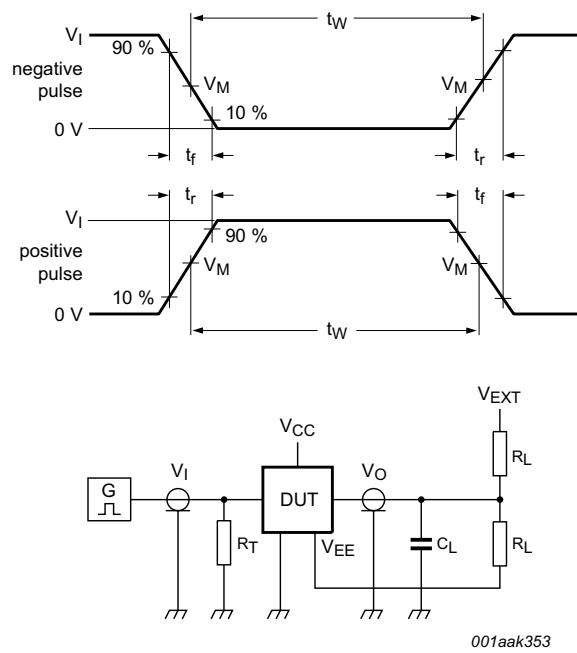


Measurement points are given in [Table 9](#).
 V_{OL} and V_{OH} are typical voltage output levels that occur with the output load.

Fig 13. Enable and disable times

Table 9. Measurement points

| Supply voltage | Input | Output | | |
|----------------|-------------|-------------|----------------------|----------------------|
| V_{CC} | V_M | V_M | V_X | V_Y |
| < 2.7 V | $0.5V_{CC}$ | $0.5V_{CC}$ | $V_{OL} + 0.1V_{CC}$ | $V_{OH} - 0.1V_{CC}$ |
| 2.7 V to 3.6 V | 1.5 V | 1.5 V | $V_{OL} + 0.3 V$ | $V_{OH} - 0.3 V$ |
| > 3.6 V | $0.5V_{CC}$ | $0.5V_{CC}$ | $V_{OL} + 0.1V_{CC}$ | $V_{OH} - 0.1V_{CC}$ |



Test data is given in [Table 10](#).

Definitions for test circuit:

R_L = Load resistance.

C_L = Load capacitance including jig and probe capacitance.

R_T = Termination resistance should be equal to output impedance Z_o of the pulse generator.

V_{EXT} = External voltage for measuring switching times.

Fig 14. Test circuit for measuring switching times

Table 10. Test data

| Supply voltage | Input | | Load | | V_{EXT} | | |
|----------------|----------|-------------|--------------|--------------|--------------------|--------------------|--------------------|
| V_{CC} | V_I | t_r, t_f | C_L | R_L | t_{PHL}, t_{PLH} | t_{PZH}, t_{PHZ} | t_{PZL}, t_{PLZ} |
| < 2.7 V | V_{CC} | ≤ 6 ns | 50 pF | 1 k Ω | open | V_{EE} | $2V_{CC}$ |
| 2.7 V to 3.6 V | 2.7 V | ≤ 6 ns | 15 pF, 50 pF | 1 k Ω | open | V_{EE} | $2V_{CC}$ |
| > 3.6 V | V_{CC} | ≤ 6 ns | 50 pF | 1 k Ω | open | V_{EE} | $2V_{CC}$ |

10.2 Additional dynamic parameters

Table 11. Additional dynamic characteristics

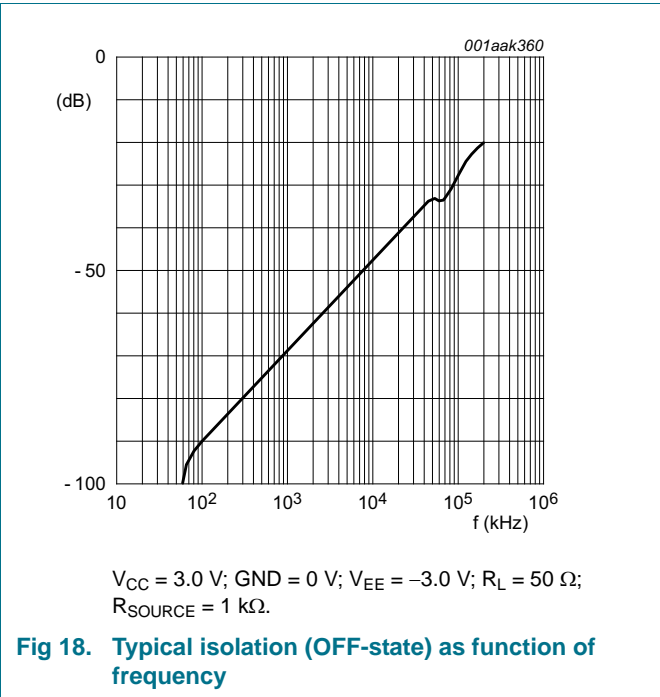
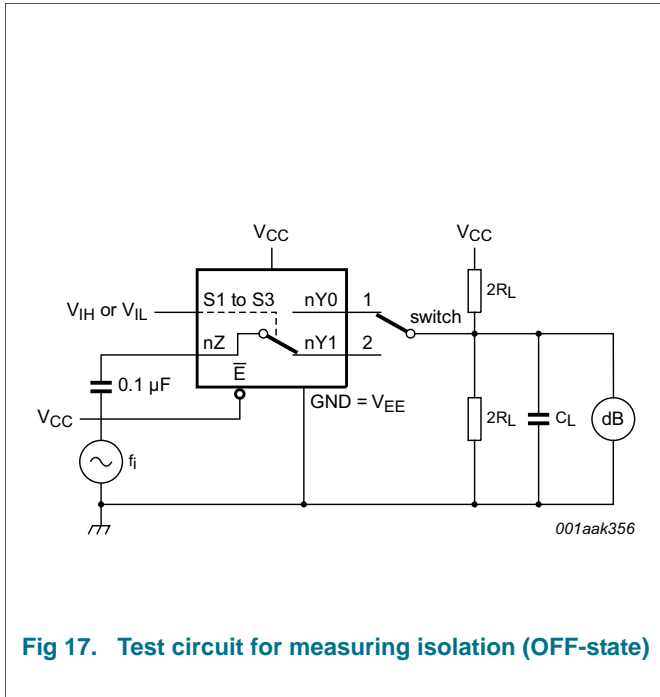
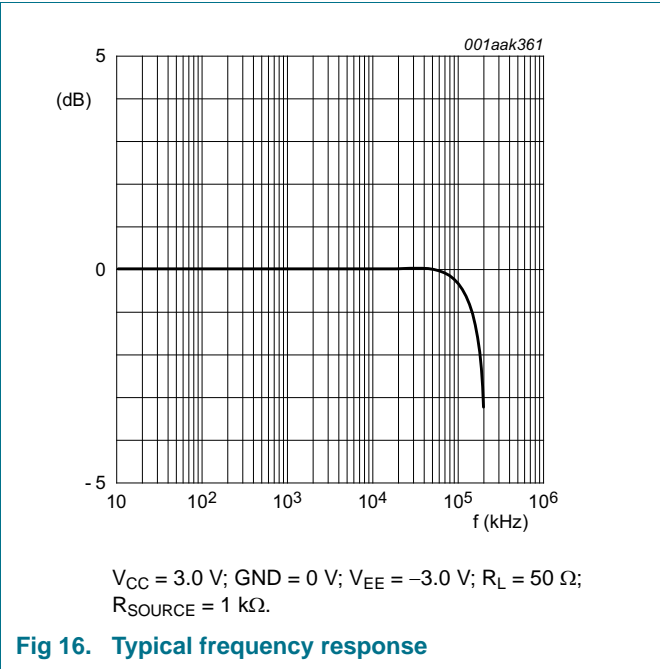
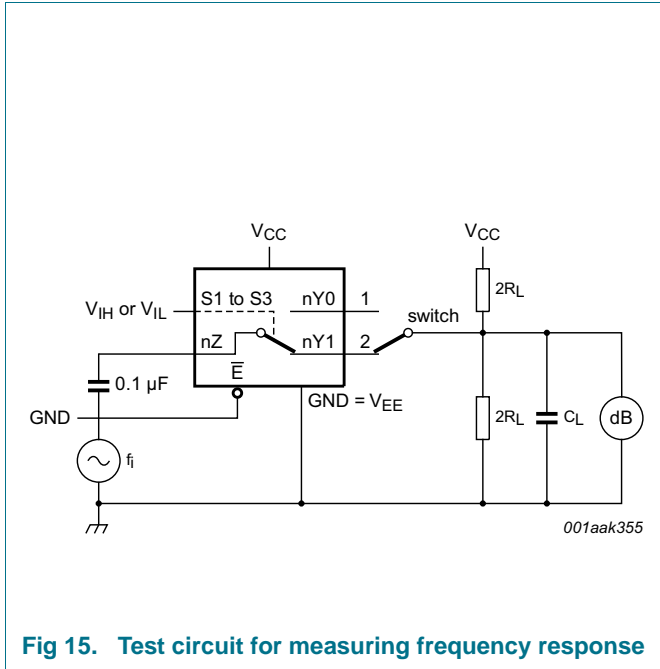
At recommended operating conditions; voltages are referenced to GND (ground = 0 V); $V_I = \text{GND}$ or V_{CC} (unless otherwise specified); $t_r = t_f \leq 6.0 \text{ ns}$; $T_{amb} = 25 \text{ }^\circ\text{C}$.

| Symbol | Parameter | Conditions | Min | Typ | Max | Unit |
|-----------------------|---------------------------|--|-----|------|-----|------|
| THD | total harmonic distortion | $f_i = 1 \text{ kHz}$; $C_L = 50 \text{ pF}$; $R_L = 10 \text{ k}\Omega$; see Figure 19 | | | | |
| | | $V_{CC} = 3.0 \text{ V}$; $V_I = 2.75 \text{ V (p-p)}$ | - | 0.8 | - | % |
| | | $V_{CC} = 6.0 \text{ V}$; $V_I = 5.5 \text{ V (p-p)}$ | - | 0.4 | - | % |
| | | $f_i = 10 \text{ kHz}$; $C_L = 50 \text{ pF}$; $R_L = 10 \text{ k}\Omega$; see Figure 19 | | | | |
| | | $V_{CC} = 3.0 \text{ V}$; $V_I = 2.75 \text{ V (p-p)}$ | - | 2.4 | - | % |
| | | $V_{CC} = 6.0 \text{ V}$; $V_I = 5.5 \text{ V (p-p)}$ | - | 1.2 | - | % |
| $f_{(-3\text{dB})}$ | -3 dB frequency response | $C_L = 50 \text{ pF}$; $R_L = 50 \text{ }\Omega$; see Figure 15 [1] | | | | |
| | | $V_{CC} = 3.0 \text{ V}$ | - | 180 | - | MHz |
| | | $V_{CC} = 6.0 \text{ V}$ | - | 200 | - | MHz |
| α_{iso} | isolation (OFF-state) | $f_i = 1 \text{ MHz}$; $C_L = 50 \text{ pF}$; $R_L = 600 \text{ }\Omega$; see Figure 17 [2] | | | | |
| | | $V_{CC} = 3.0 \text{ V}$ | - | -50 | - | dB |
| | | $V_{CC} = 6.0 \text{ V}$ | - | -50 | - | dB |
| V_{ct} | crosstalk voltage | between digital inputs and switch; [2] $f_i = 1 \text{ MHz}$; $C_L = 50 \text{ pF}$; $R_L = 600 \text{ }\Omega$; see Figure 20 | | | | |
| | | $V_{CC} = 3.0 \text{ V}$ | - | 0.11 | - | V |
| | | $V_{CC} = 6.0 \text{ V}$ | - | 0.12 | - | V |
| Xtalk | crosstalk | between switches; $f_i = 1 \text{ MHz}$; $C_L = 50 \text{ pF}$; $R_L = 600 \text{ }\Omega$; see Figure 21 | | | | |
| | | $V_{CC} = 3.0 \text{ V}$ | - | -60 | - | dB |
| | | $V_{CC} = 6.0 \text{ V}$ | - | -60 | - | dB |

[1] Adjust f_i voltage to obtain 0 dBm level at output for 1 MHz (0 dBm = 1 mW into 50 Ω).

[2] Adjust f_i voltage to obtain 0 dBm level at output for 1 MHz (0 dBm = 1 mW into 600 Ω).

10.2.1 Test circuits



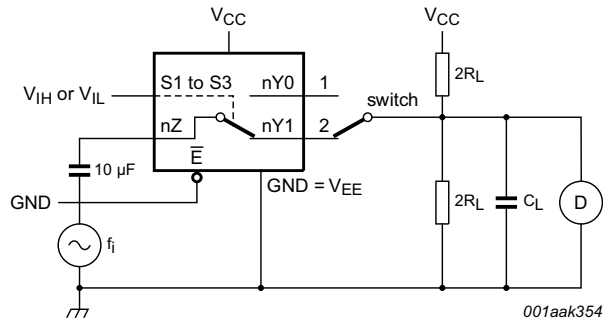
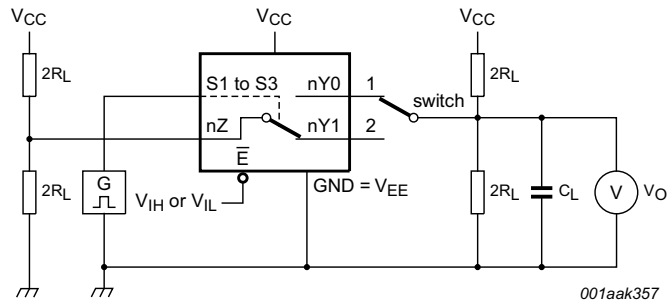
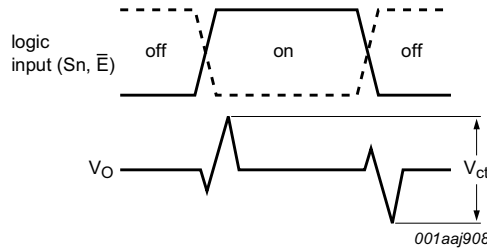


Fig 19. Test circuit for measuring total harmonic distortion



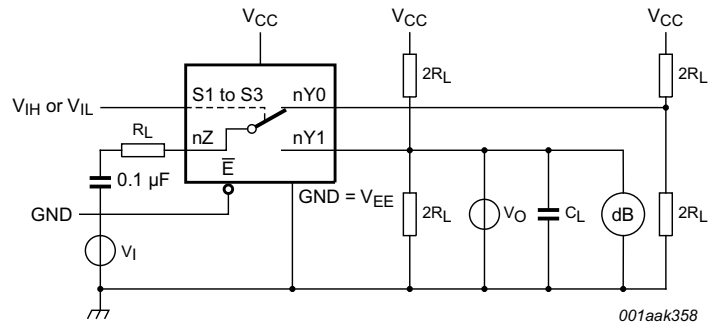
a. Test circuit



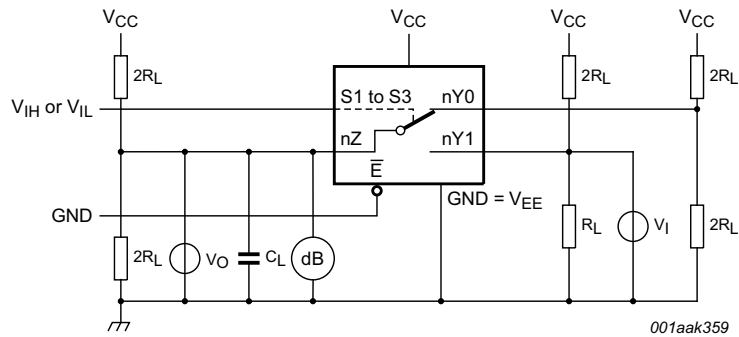
b. Input and output pulse definitions

V_I may be connected to S_n or \bar{E} .

Fig 20. Test circuit for measuring crosstalk voltage between digital inputs and switch



a. Switch closed condition



b. Switch open condition

Fig 21. Test circuit for measuring crosstalk between switches

11. Package outline

SO16: plastic small outline package; 16 leads; body width 3.9 mm

SOT109-1

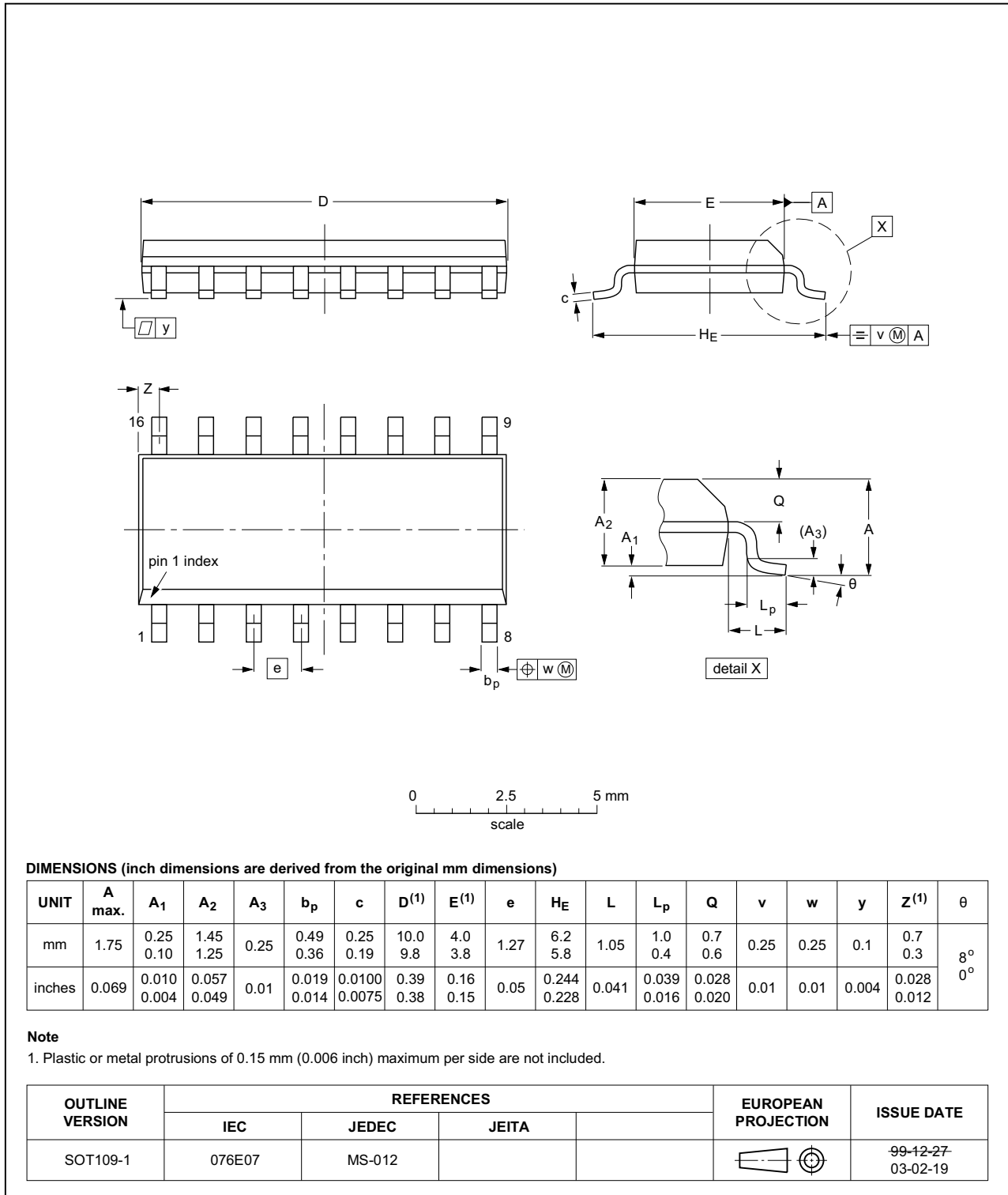


Fig 22. Package outline SOT109-1 (SO16)

SSOP16: plastic shrink small outline package; 16 leads; body width 5.3 mm

SOT338-1



Fig 23. Package outline SOT338-1 (SSOP16)

TSSOP16: plastic thin shrink small outline package; 16 leads; body width 4.4 mm

SOT403-1

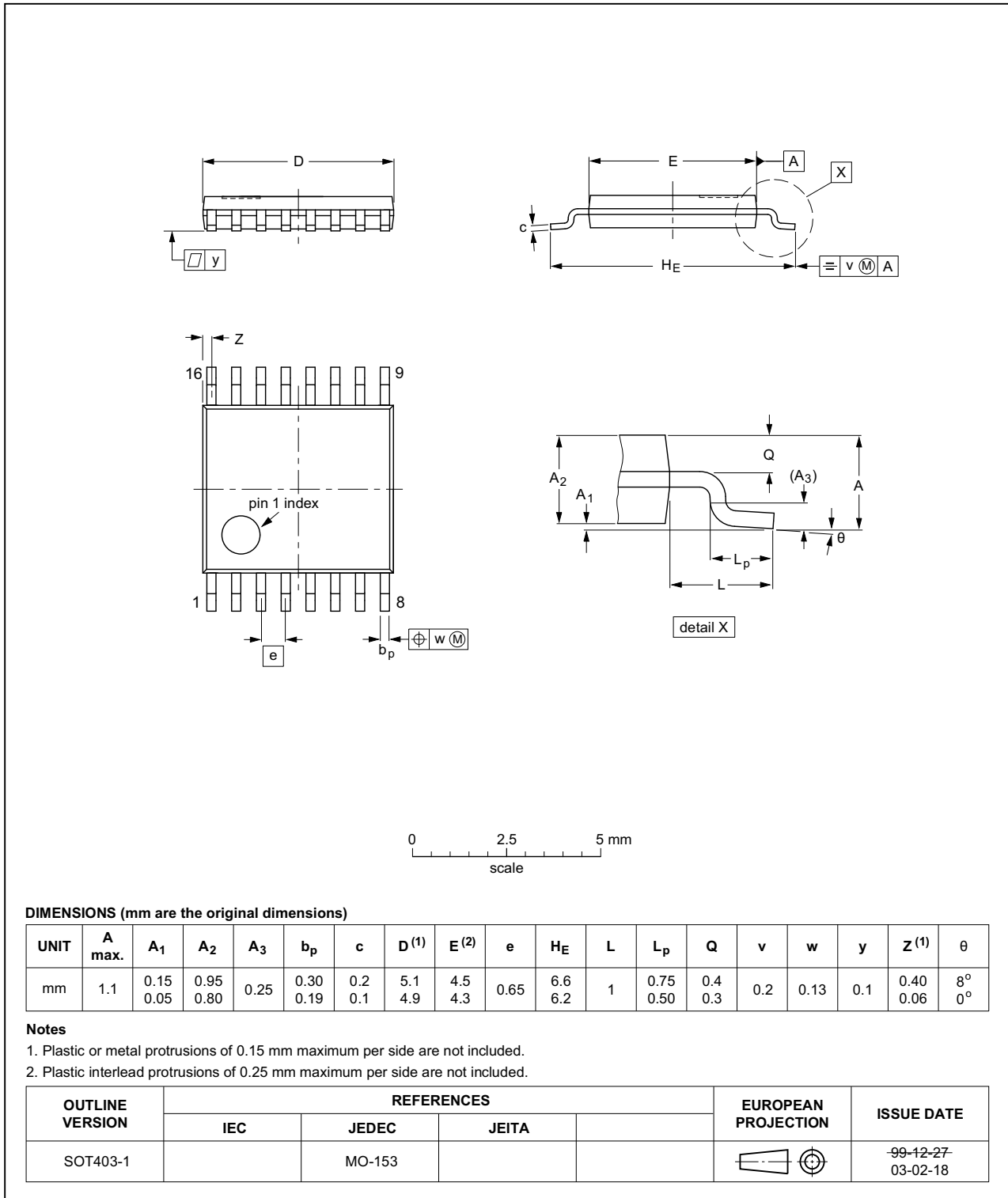


Fig 24. Package outline SOT403-1 (TSSOP16)

DHVQFN16: plastic dual in-line compatible thermal enhanced very thin quad flat package; no leads; 16 terminals; body 2.5 x 3.5 x 0.85 mm

SOT763-1

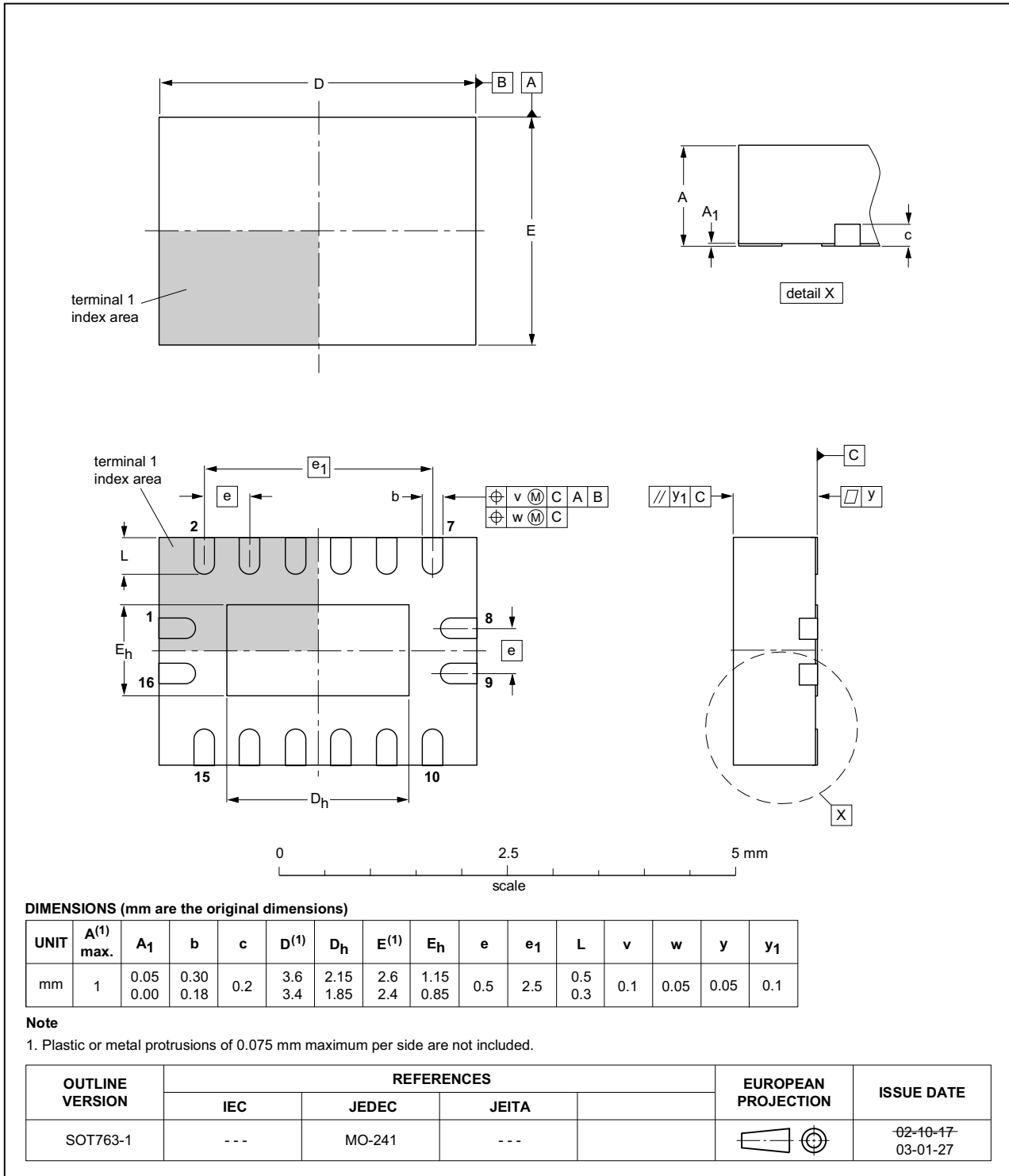


Fig 25. Package outline SOT763-1 (DHVQFN16)

12. Abbreviations

Table 12. Abbreviations

| Acronym | Description |
|---------|---|
| CMOS | Complementary Metal-Oxide Semiconductor |
| ESD | ElectroStatic Discharge |
| HBM | Human Body Model |
| MM | Machine Model |
| TTL | Transistor-Transistor Logic |

13. Revision history

Table 13. Revision history

| Document ID | Release date | Data sheet status | Change notice | Supersedes |
|----------------|---|-----------------------|---------------|--------------|
| 74LV4053 v.6 | 20160317 | Product data sheet | - | 74LV4053 v.5 |
| Modifications: | <ul style="list-style-type: none"> Type number 74LV4053N (SOT38-4) removed. | | | |
| 74LV4053 v.5 | 20140918 | Product data sheet | - | 74LV4053 v.4 |
| Modifications: | <ul style="list-style-type: none"> Figure 6: Figure note added for DHVQFN16 package. | | | |
| 74LV4053 v.4 | 20090810 | Product data sheet | - | 74LV4053 v.3 |
| Modifications: | <ul style="list-style-type: none"> The format of this data sheet has been redesigned to comply with the new identity guidelines of NXP Semiconductors Legal texts have been adapted to the new company name where appropriate. Added type number 74LV4053BQ (DHVQFN16 package) R_{ON} values changed in Section 2. Package version SOT38-1 changed to SOT38-4 in Section 3, and Figure 23. | | | |
| 74LV4053 v.3 | 19980623 | Product specification | - | 74LV4053 v.2 |
| 74LV4053 v.2 | 19970715 | Product specification | - | - |

14. Legal information

14.1 Data sheet status

| Document status ^{[1][2]} | Product status ^[3] | Definition |
|-----------------------------------|-------------------------------|---|
| Objective [short] data sheet | Development | This document contains data from the objective specification for product development. |
| Preliminary [short] data sheet | Qualification | This document contains data from the preliminary specification. |
| Product [short] data sheet | Production | This document contains the product specification. |

[1] Please consult the most recently issued document before initiating or completing a design.

[2] The term 'short data sheet' is explained in section "Definitions".

[3] The product status of device(s) described in this document may have changed since this document was published and may differ in case of multiple devices. The latest product status information is available on the Internet at URL <http://www.nexperia.com>.

14.2 Definitions

Draft — The document is a draft version only. The content is still under internal review and subject to formal approval, which may result in modifications or additions. Nexperia does not give any representations or warranties as to the accuracy or completeness of information included herein and shall have no liability for the consequences of use of such information.

Short data sheet — A short data sheet is an extract from a full data sheet with the same product type number(s) and title. A short data sheet is intended for quick reference only and should not be relied upon to contain detailed and full information. For detailed and full information see the relevant full data sheet, which is available on request via the local Nexperia sales office. In case of any inconsistency or conflict with the short data sheet, the full data sheet shall prevail.

Product specification — The information and data provided in a Product data sheet shall define the specification of the product as agreed between Nexperia and its customer, unless Nexperia and customer have explicitly agreed otherwise in writing. In no event however, shall an agreement be valid in which the Nexperia product is deemed to offer functions and qualities beyond those described in the Product data sheet.

14.3 Disclaimers

Limited warranty and liability — Information in this document is believed to be accurate and reliable. However, Nexperia does not give any representations or warranties, expressed or implied, as to the accuracy or completeness of such information and shall have no liability for the consequences of use of such information. Nexperia takes no responsibility for the content in this document if provided by an information source outside of Nexperia.

In no event shall Nexperia be liable for any indirect, incidental, punitive, special or consequential damages (including - without limitation - lost profits, lost savings, business interruption, costs related to the removal or replacement of any products or rework charges) whether or not such damages are based on tort (including negligence), warranty, breach of contract or any other legal theory.

Notwithstanding any damages that customer might incur for any reason whatsoever, Nexperia's aggregate and cumulative liability towards customer for the products described herein shall be limited in accordance with the *Terms and conditions of commercial sale* of Nexperia.

Right to make changes — Nexperia reserves the right to make changes to information published in this document, including without limitation specifications and product descriptions, at any time and without notice. This document supersedes and replaces all information supplied prior to the publication hereof.

Suitability for use — Nexperia products are not designed, authorized or warranted to be suitable for use in life support, life-critical or safety-critical systems or equipment, nor in applications where failure or malfunction of a Nexperia product can reasonably be expected to result in personal injury, death or severe property or environmental damage. Nexperia and its suppliers accept no liability for inclusion and/or use of Nexperia products in such equipment or applications and therefore such inclusion and/or use is at the customer's own risk.

Applications — Applications that are described herein for any of these products are for illustrative purposes only. Nexperia makes no representation or warranty that such applications will be suitable for the specified use without further testing or modification.

Customers are responsible for the design and operation of their applications and products using Nexperia products, and Nexperia accepts no liability for any assistance with applications or customer product design. It is customer's sole responsibility to determine whether the Nexperia product is suitable and fit for the customer's applications and products planned, as well as for the planned application and use of customer's third party customer(s). Customers should provide appropriate design and operating safeguards to minimize the risks associated with their applications and products.

Nexperia does not accept any liability related to any default, damage, costs or problem which is based on any weakness or default in the customer's applications or products, or the application or use by customer's third party customer(s). Customer is responsible for doing all necessary testing for the customer's applications and products using Nexperia products in order to avoid a default of the applications and the products or of the application or use by customer's third party customer(s). Nexperia does not accept any liability in this respect.

Limiting values — Stress above one or more limiting values (as defined in the Absolute Maximum Ratings System of IEC 60134) will cause permanent damage to the device. Limiting values are stress ratings only and (proper) operation of the device at these or any other conditions above those given in the Recommended operating conditions section (if present) or the Characteristics sections of this document is not warranted. Constant or repeated exposure to limiting values will permanently and irreversibly affect the quality and reliability of the device.

Terms and conditions of commercial sale — Nexperia products are sold subject to the general terms and conditions of commercial sale, as published at <http://www.nexperia.com/profile/terms>, unless otherwise agreed in a valid written individual agreement. In case an individual agreement is concluded only the terms and conditions of the respective agreement shall apply. Nexperia hereby expressly objects to applying the customer's general terms and conditions with regard to the purchase of Nexperia products by customer.

No offer to sell or license — Nothing in this document may be interpreted or construed as an offer to sell products that is open for acceptance or the grant, conveyance or implication of any license under any copyrights, patents or other industrial or intellectual property rights.

Export control — This document as well as the item(s) described herein may be subject to export control regulations. Export might require a prior authorization from competent authorities.

Non-automotive qualified products — Unless this data sheet expressly states that this specific Nexperia product is automotive qualified, the product is not suitable for automotive use. It is neither qualified nor tested in accordance with automotive testing or application requirements. Nexperia accepts no liability for inclusion and/or use of non-automotive qualified products in automotive equipment or applications.

In the event that customer uses the product for design-in and use in automotive applications to automotive specifications and standards, customer (a) shall use the product without Nexperia's warranty of the product for such automotive applications, use and specifications, and (b) whenever customer uses the product for automotive applications beyond

Nexperia's specifications such use shall be solely at customer's own risk, and (c) customer fully indemnifies Nexperia for any liability, damages or failed product claims resulting from customer design and use of the product for automotive applications beyond Nexperia's standard warranty and Nexperia's product specifications.

Translations — A non-English (translated) version of a document is for reference only. The English version shall prevail in case of any discrepancy between the translated and English versions.

14.4 Trademarks

Notice: All referenced brands, product names, service names and trademarks are the property of their respective owners.

15. Contact information

For more information, please visit: <http://www.nexperia.com>

For sales office addresses, please send an email to: salesaddresses@nexperia.com

16. Contents

| | | |
|-----------|---|-----------|
| 1 | General description | 1 |
| 2 | Features and benefits | 1 |
| 3 | Ordering information | 2 |
| 4 | Functional diagram | 2 |
| 5 | Pinning information | 4 |
| 5.1 | Pinning | 4 |
| 5.2 | Pin description | 4 |
| 6 | Functional description | 5 |
| 7 | Limiting values | 5 |
| 8 | Recommended operating conditions | 6 |
| 9 | Static characteristics | 7 |
| 9.1 | Test circuits | 8 |
| 9.2 | ON resistance | 8 |
| 9.3 | On resistance waveform and test circuit | 10 |
| 10 | Dynamic characteristics | 11 |
| 10.1 | Waveforms | 13 |
| 10.2 | Additional dynamic parameters | 15 |
| 10.2.1 | Test circuits | 16 |
| 11 | Package outline | 19 |
| 12 | Abbreviations | 23 |
| 13 | Revision history | 23 |
| 14 | Legal information | 24 |
| 14.1 | Data sheet status | 24 |
| 14.2 | Definitions | 24 |
| 14.3 | Disclaimers | 24 |
| 14.4 | Trademarks | 25 |
| 15 | Contact information | 25 |
| 16 | Contents | 26 |

Компания «Life Electronics» занимается поставками электронных компонентов импортного и отечественного производства от производителей и со складов крупных дистрибьюторов Европы, Америки и Азии.

С конца 2013 года компания активно расширяет линейку поставок компонентов по направлению коаксиальный кабель, кварцевые генераторы и конденсаторы (керамические, пленочные, электролитические), за счёт заключения дистрибьюторских договоров

Мы предлагаем:

- Конкурентоспособные цены и скидки постоянным клиентам.
- Специальные условия для постоянных клиентов.
- Подбор аналогов.
- Поставку компонентов в любых объемах, удовлетворяющих вашим потребностям.
- Приемлемые сроки поставки, возможна ускоренная поставка.
- Доставку товара в любую точку России и стран СНГ.
- Комплексную поставку.
- Работу по проектам и поставку образцов.
- Формирование склада под заказчика.
- Сертификаты соответствия на поставляемую продукцию (по желанию клиента).
- Тестирование поставляемой продукции.
- Поставку компонентов, требующих военную и космическую приемку.
- Входной контроль качества.
- Наличие сертификата ISO.

В составе нашей компании организован Конструкторский отдел, призванный помогать разработчикам, и инженерам.

Конструкторский отдел помогает осуществить:

- Регистрацию проекта у производителя компонентов.
- Техническую поддержку проекта.
- Защиту от снятия компонента с производства.
- Оценку стоимости проекта по компонентам.
- Изготовление тестовой платы монтаж и пусконаладочные работы.



Тел: +7 (812) 336 43 04 (многоканальный)

Email: org@lifeelectronics.ru