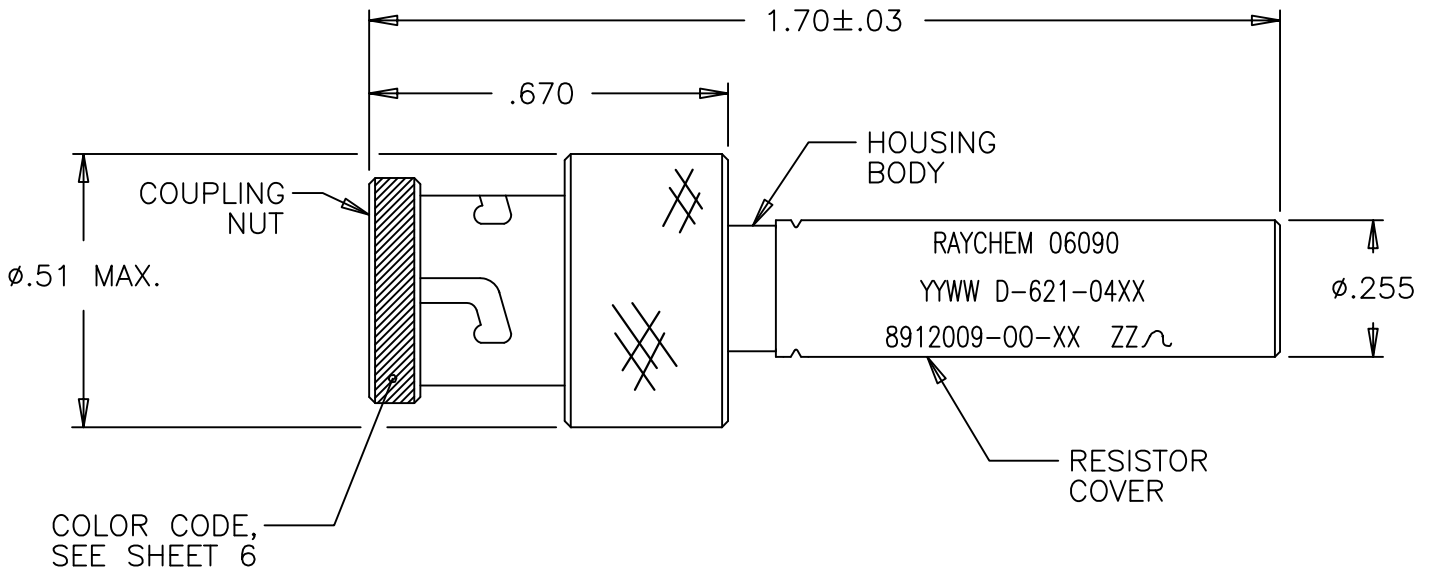


REVISIONS			
LTR	DESCRIPTION	DATE	APPROVED
D	REVISED PER ECN T-14105 (LANYARD WAS 6in)	90MAR29	Z. TEMAN
E	REVISED PER ECN# T-17959	93JAN06	Z. TEMAN
F	REVISED PER ECN# T-21489	6/10/97	Z. TEMAN
F1	REVISED DWG PER ECO-11-009073	5/02/2011	E.CHEN

NOTE: (-L) ADDED TO D-621-04XX NUMBER INDICATES LANYARD (See Sheets 3 and 4),


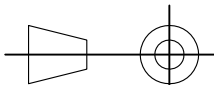


(TRIAxIAL CONNECTOR, PLUG WEIGHT: 16 GRAMS MAX.)

If this document is printed it becomes uncontrolled. Check for the latest revision

© 2011 Tyco Electronics Corporation. All Rights Reserved.

Raychem Databus
CUSTOMER DRAWING

UNLESS OTHERWISE SPECIFIED DIMENSIONS ARE IN INCHES. METRIC DIMENSIONS ARE IN BRACKETS. DECIMALS .XXX ± .005 { — mm } .XX ± .01 { — mm } ANGLES .X ± 1° WEIGHT — lbs { — g MAX. }	DRAWN J.B.K. 89 JULY 21	 TE Connectivity	TITLE CORROSION RESISTANT CONNECTOR, TRIAXIAL, BAYONET COUPLED, RESISTOR TERMINATOR	
	CHECKED			
	APPROVED			
	APPROVED Z.TEMAN 89 JULY 26			
	CAD NAME D-621-0453_0484-La_CD_F1	SIZE CODE IDENT. NO. DWG. NO. REV A 06090 D-621-0453/0484-L F1		
THIRD ANGLE PROJECTION		DO NOT SCALE THIS DRAWING	SHEET 1 OF 7	





(TRIAxIAL CONNECTOR, JACK WEIGHT: 14 GRAMS MAX.)

Raychem Databus
CUSTOMER DRAWING

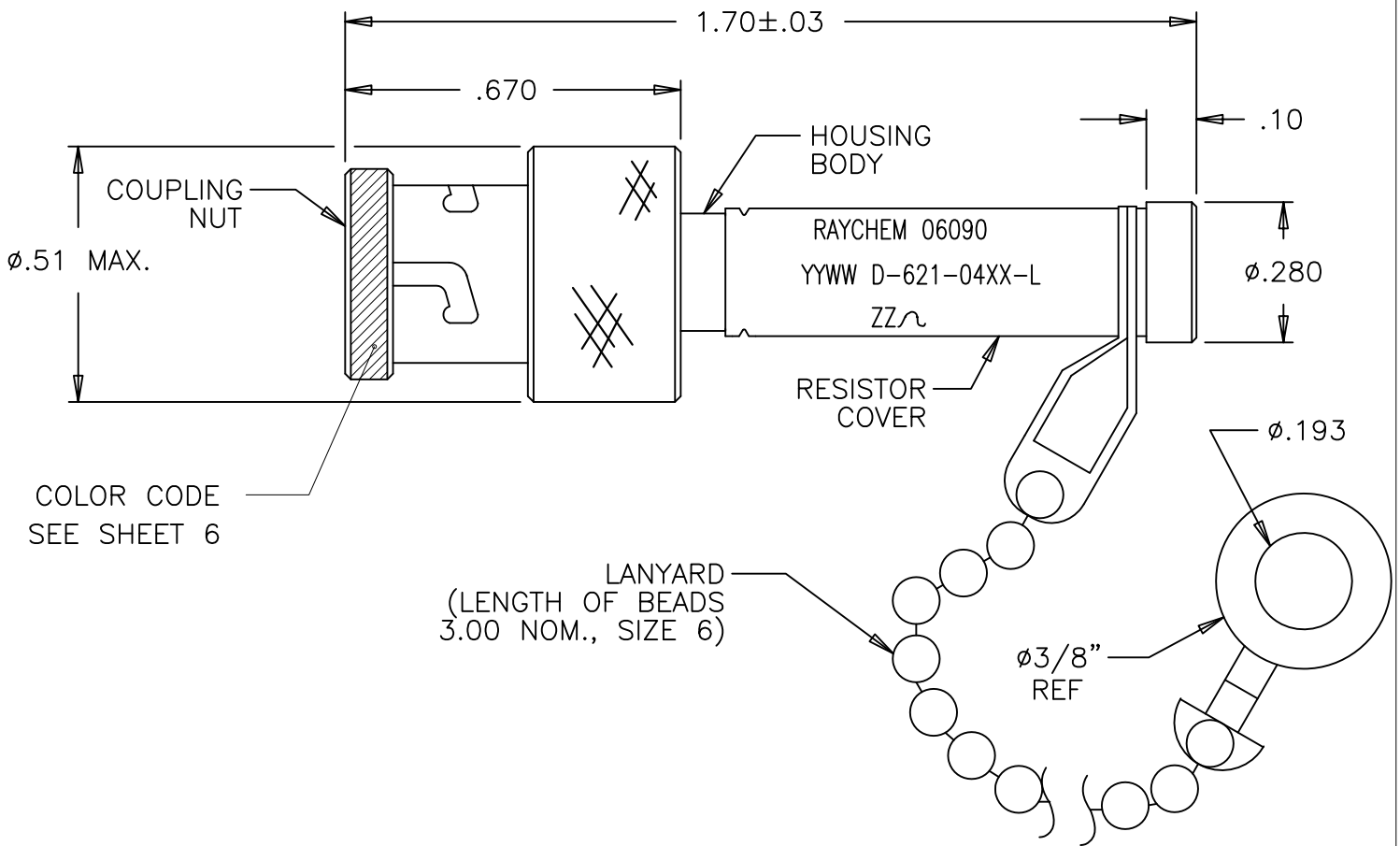
If this document is printed it becomes uncontrolled. Check for the latest revision



TE Connectivity

CAD NAME: D-621-0453_0484-Lb_CD_F1	DRAWN	J.B.K.	89 JULY 21	SIZE	CODE IDENT. NO.	DWG. NO.	REV
	ISSUED			A	06090	D-621-0453/0484-L	F1
DO NOT SCALE THIS DRAWING						SHEET 2 OF 7	





(TRIAxIAL CONNECTOR, WITH LANYARD, PLUG WEIGHT: 21 GRAMS MAX.)

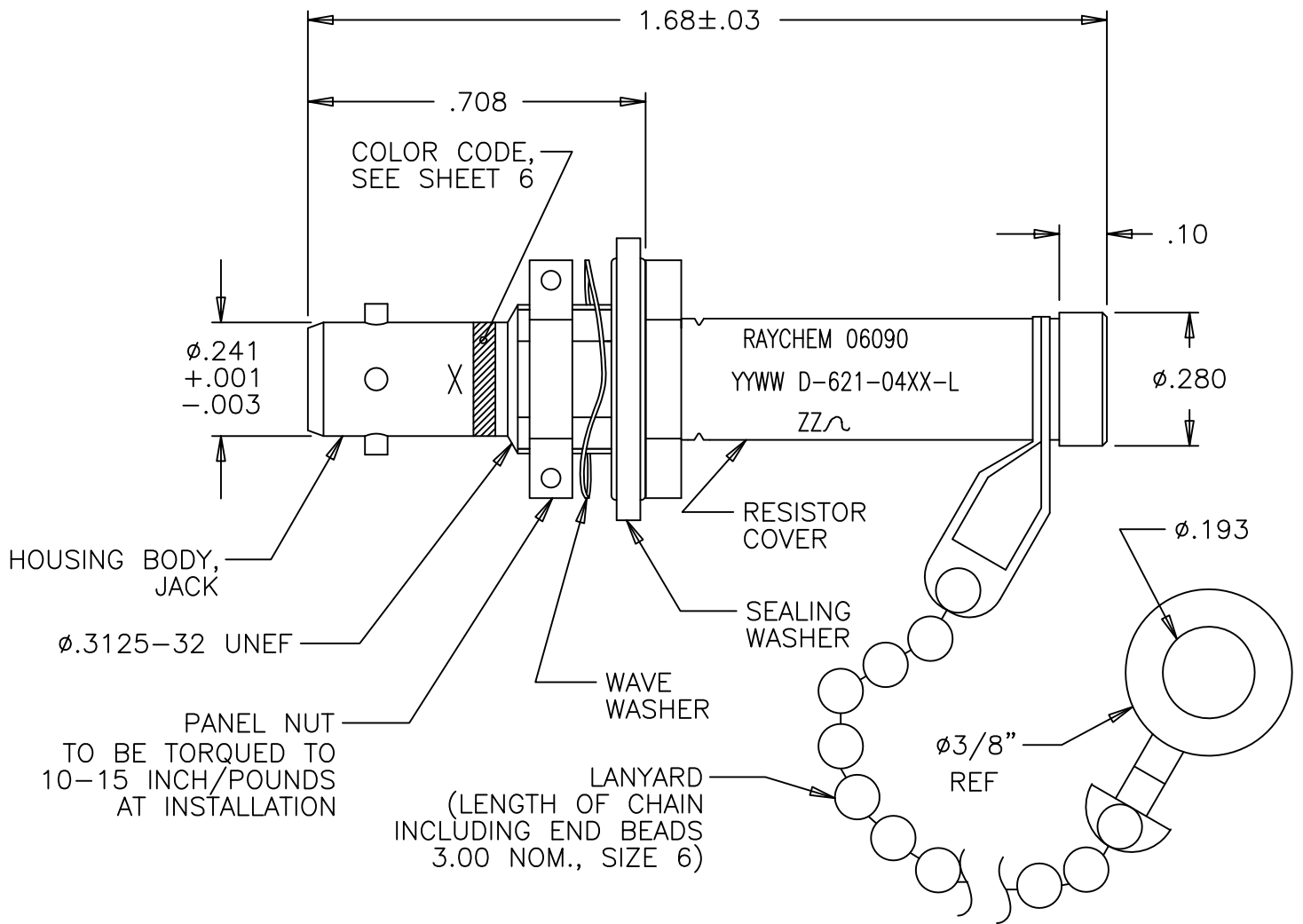
Raychem Databus
CUSTOMER DRAWING

If this document is printed it becomes uncontrolled. Check for the latest revision



TE Connectivity

CAD NAME: D-621-0453_0484-Lc_CD_F1	DRAWN	J.B.K.	89 AUG 25	SIZE A	CODE IDENT. NO. 06090	DWG. NO. D-621-0453/0484-L	REV F1
	ISSUED			DO NOT SCALE THIS DRAWING		SHEET 3 OF 7	



TRIAxIAL CONNECTOR, WITH LANYARD, JACK WEIGHT: 19 GRAMS MAX.)

Raychem Databus
CUSTOMER DRAWING

If this document is printed it becomes uncontrolled. Check for the latest revision



TE Connectivity

CAD NAME: D-621-0453_0484-Ld_CD_F1	DRAWN	J.B.K.	89 JULY 21	SIZE	CODE IDENT. NO.	DWG. NO.	REV
	ISSUED			A	06090	D-621-0453/0484-L	F1
DO NOT SCALE THIS DRAWING						SHEET 4 OF 7	





1.0 MATERIALS AND FINISHES

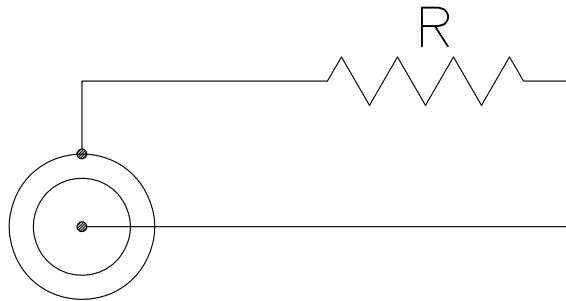
- 1.1 HOUSING BODY: BECU PER ASTM B 196, TIN PLATED PER MIL-T-10727, OVER NICKEL PER QQ-N-290
- 1.1.1 INSULATION: POLYETHERSULFONE
- 1.2 COUPLING NUT: (PLUG) BECU PER ASTM B 196, TIN PLATED PER MIL-T-10727, OVER NICKEL PER QQ-N-290
- 1.2.1 INTERFACIAL SEAL: SILICONE RUBBER
- 1.3 PANEL NUT: (JACK) BRASS ALLOY PER ASTM B16, TIN PLATED PER MIL-T-10727 OVER NICKEL PER QQ-N-290
- 1.4 WAVE WASHER: (JACK) BECU PER ASTM B194, TIN PLATED PER MIL-T-10727 OVER NICKEL PER QQ-N-290
- 1.5 SEALING WASHER: (JACK) SILICONE RUBBER (AMS 3304), STAINLESS STEEL PER MIL-S-5059, PASSIVATED PER QQ-P-35.
- 1.6 RESISTOR COVER: 300 SERIES STAINLESS STEEL PER ASTM A582, TIN PLATED PER MIL-T-10727, OVER NICKEL PER MIL-C-26074
- 1.7 LANYARD: CORROSION RESISTANT STEEL, TIN PLATED PER MIL-T-10727, OVER NICKEL PER QQ-N-290

2.0 PERFORMANCE CAPABILITIES

2.1 REFER TO RAYCHEM SPECIFICATION D-6025 (SUPERSEDES D-6050) AND D-6020 FOR PERFORMANCE AND QUALIFICATION REQUIREMENTS.

2.2 GENERAL CHARACTERISTICS.

- 2.2.1 OPERATING TEMPERATURE: -65°C TO 125°C
- 2.2.2 INSULATION RESISTANCE: GREATER THEN 5K MEG *
- 2.2.3 DIELECTRIC STRENGTH: 900 VAC AT 60 Hz *
- 2.2.4 POWER RATING: 1 WATT MAX.
- 2.2.5 TERMINATOR RESISTANCE: SEE RESISTANCE VALUES, SHEET 7 OF 7
- 2.2.6 SALT SPRAY CORROSION RESISTANCE: 500 HOURS



* BETWEEN INNER COAXIAL CONTACT AND OUTER HOUSING

R = SEE SHEET 7 OF 7 FOR RESISTANCE VALUE ±2%

Raychem Databus
CUSTOMER DRAWING

If this document is printed it becomes uncontrolled. Check for the latest revision

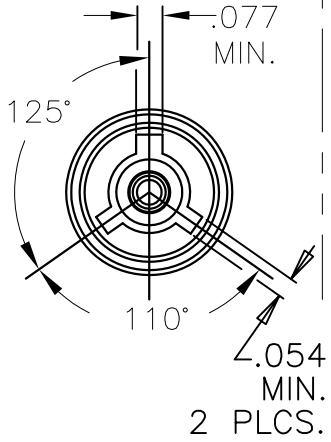


TE Connectivity

CAD NAME: D-621-0453_0484-Le_CD_F1	DRAWN	J.B.K.	89 JULY 21	SIZE	CODE IDENT. NO.	DWG. NO.	REV
	ISSUED			A	06090	D-621-0453/0484-L	F1
DO NOT SCALE THIS DRAWING						SHEET 5 OF 7	

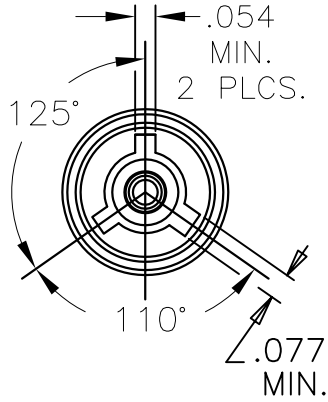


INTERFACE
"A"
PLUG



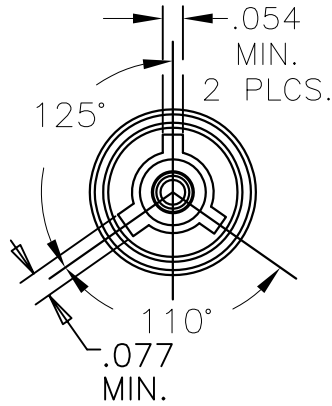
COLOR CODE: RED

INTERFACE
"B"
PLUG



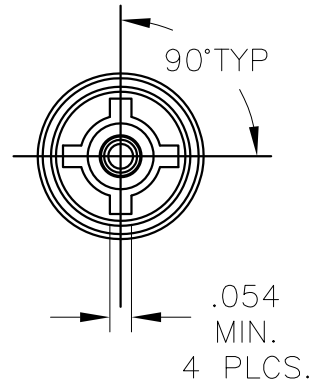
COLOR CODE: WHITE

INTERFACE
"C"
PLUG



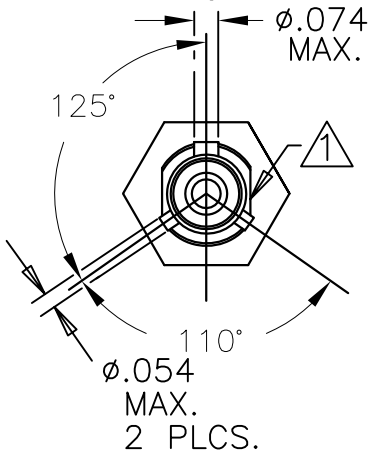
COLOR CODE: GREEN

INTERFACE
"D"
PLUG

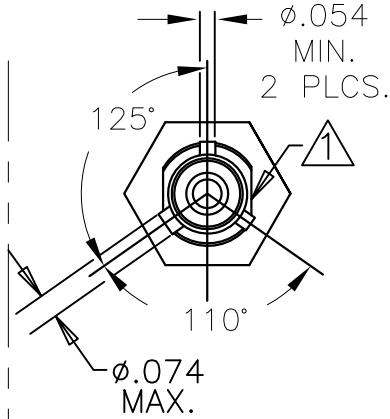


NO COLOR CODE

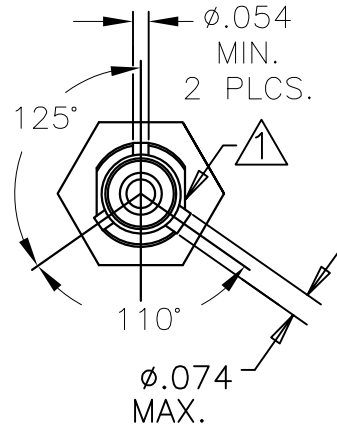
JACK



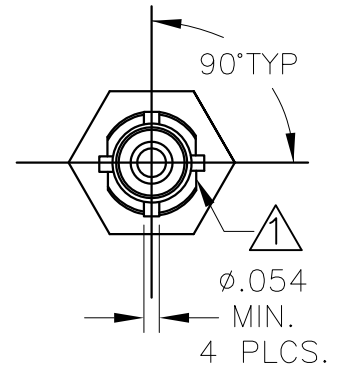
JACK



JACK



JACK



NOTES:

① MAJOR KEY ORIENTATION WITH RESPECT TO FLATS IS NOT CONTROLLED.

Raychem Databus
CUSTOMER DRAWING

If this document is printed it becomes uncontrolled. Check for the latest revision



TE Connectivity

CAD NAME:

DRAWN

J.B.K.

89 JULY 21

SIZE

CODE IDENT. NO.

DWG. NO.

REV

D-621-0453_0484-Lf_CD_F1

A

06090

D-621-0453/0484-L

F1

ISSUED

DO NOT SCALE THIS DRAWING

SHEET 6 OF 7

NOTES:

- ① SUFFIX -L INDICATES PARTS WITH LANYARD, SEE SHEETS 3 AND 4.
 -L PARTS DO NOT HAVE USAF NUMBERS.

DRAWING NO. ①	USAF DRAWING NO. ①	DESCRIPTION			RESISTANCE VALUE ±2%
		CONNECTOR	INTERFACE	INSTALLED CONTACT	
D-621-0453(-L)	8912009-00-05	PLUG	"A"	PIN	78 OHMS
D-621-0454(-L)	8912009-00-06	PLUG	"B"	PIN	78 OHMS
D-621-0455(-L)	8912009-00-07	PLUG	"C"	PIN	78 OHMS
D-621-0456(-L)	8912009-00-08	PLUG	"D"	PIN	78 OHMS
D-621-0457(-L)	8912009-00-01	PLUG	"A"	PIN	3000 OHMS
D-621-0458(-L)	8912009-00-02	PLUG	"B"	PIN	3000 OHMS
D-621-0459(-L)	8912009-00-03	PLUG	"C"	PIN	3000 OHMS
D-621-0460(-L)	8912009-00-12	PLUG	"D"	SOCKET	3000 OHMS
D-621-0461(-L)	8912010-00-13	JACK	"A"	SOCKET	78 OHMS
D-621-0462(-L)	8912010-00-14	JACK	"B"	SOCKET	78 OHMS
D-621-0463(-L)	8912010-00-15	JACK	"C"	SOCKET	78 OHMS
D-621-0464(-L)	8912010-00-16	JACK	"D"	SOCKET	78 OHMS
D-621-0465(-L)	8912010-00-09	JACK	"A"	SOCKET	3000 OHMS
D-621-0466(-L)	8912010-00-10	JACK	"B"	SOCKET	3000 OHMS
D-621-0467(-L)	8912009-00-11	JACK	"C"	SOCKET	3000 OHMS
D-621-0468(-L)	8912009-00-12	JACK	"D"	SOCKET	3000 OHMS
D-621-0469(-L)	8912009-00-13	PLUG	"A"	SOCKET	78 OHMS
D-621-0470(-L)	8912009-00-14	PLUG	"B"	SOCKET	78 OHMS
D-621-0471(-L)	8912009-00-15	PLUG	"C"	SOCKET	78 OHMS
D-621-0472(-L)	8912009-00-16	PLUG	"D"	SOCKET	78 OHMS
D-621-0473(-L)	8912009-00-09	PLUG	"A"	SOCKET	3000 OHMS
D-621-0474(-L)	8912009-00-10	PLUG	"B"	SOCKET	3000 OHMS
D-621-0475(-L)	8912009-00-11	PLUG	"C"	SOCKET	3000 OHMS
D-621-0476(-L)	8912009-00-04	PLUG	"D"	PIN	3000 OHMS
D-621-0477(-L)	8912009-00-05	JACK	"A"	PIN	78 OHMS
D-621-0478(-L)	8912009-00-06	JACK	"B"	PIN	78 OHMS
D-621-0479(-L)	8912009-00-07	JACK	"C"	PIN	78 OHMS
D-621-0480(-L)	8912009-00-08	JACK	"D"	PIN	78 OHMS
D-621-0481(-L)	8912009-00-01	JACK	"A"	PIN	3000 OHMS
D-621-0482(-L)	8912009-00-02	JACK	"B"	PIN	3000 OHMS
D-621-0483(-L)	8912009-00-03	JACK	"C"	PIN	3000 OHMS
D-621-0484(-L)	8912009-00-04	JACK	"D"	PIN	3000 OHMS

Raychem Databus
CUSTOMER DRAWING

If this document is printed it becomes uncontrolled. Check for the latest revision



TE Connectivity

CAD NAME: D-621-0453_0484-Lg_CD_F1	DRAWN	J.B.K.	89 AUG 25	SIZE	CODE IDENT. NO.	DWG. NO.	REV
	ISSUED			A	06090	D-621-0453/0484-L	F1
DO NOT SCALE THIS DRAWING						SHEET 7 OF 7	



Компания «Life Electronics» занимается поставками электронных компонентов импортного и отечественного производства от производителей и со складов крупных дистрибьюторов Европы, Америки и Азии.

С конца 2013 года компания активно расширяет линейку поставок компонентов по направлению коаксиальный кабель, кварцевые генераторы и конденсаторы (керамические, пленочные, электролитические), за счёт заключения дистрибьюторских договоров

Мы предлагаем:

- Конкуренспособные цены и скидки постоянным клиентам.
- Специальные условия для постоянных клиентов.
- Подбор аналогов.
- Поставку компонентов в любых объемах, удовлетворяющих вашим потребностям.
- Приемлемые сроки поставки, возможна ускоренная поставка.
- Доставку товара в любую точку России и стран СНГ.
- Комплексную поставку.
- Работу по проектам и поставку образцов.
- Формирование склада под заказчика.
- Сертификаты соответствия на поставляемую продукцию (по желанию клиента).
- Тестирование поставляемой продукции.
- Поставку компонентов, требующих военную и космическую приемку.
- Входной контроль качества.
- Наличие сертификата ISO.

В составе нашей компании организован Конструкторский отдел, призванный помогать разработчикам, и инженерам.

Конструкторский отдел помогает осуществить:

- Регистрацию проекта у производителя компонентов.
- Техническую поддержку проекта.
- Защиту от снятия компонента с производства.
- Оценку стоимости проекта по компонентам.
- Изготовление тестовой платы монтаж и пусконаладочные работы.



Тел: +7 (812) 336 43 04 (многоканальный)
Email: org@lifeelectronics.ru